

# miscēa KITCHEN

ABOVE AND BEYOND EXPECTATIONS



# misc<sup>ea</sup> KITCHEN

ABOVE AND BEYOND EXPECTATIONS





The new **miscea KITCHEN** range of sensor activated systems raise the experience with water to a whole new level. Presenting a host of new features, benefits and conveniences, the **miscea KITCHEN** is above and beyond expectations.



The **miscea KITCHEN** system is the world's first truly touch free multifunctional kitchen faucet. Combining two dispensers and a faucet into one unique and easy to use system, it eliminates clutter and mess.

It features the fastest and most reliable sensor technology available on the market to readily and accurately respond to hand movements. The water volume is controlled using the smooth round handle and a variety of high quality soaps, lotions and disinfectants can be used with the system.

# PRODUCT INFORMATION

## FEATURES & TECHNICAL SPECIFICATIONS



### **Elegant design**

Clean sleek lines accentuate the elegant design of the miscea KITCHEN. It's the perfect example of sophisticated technology harmoniously blended with elegant design.

### **Space saving**

Two dispensers have been engineered directly into the miscea KITCHEN eliminating the need for separate dispensers around the home, saving you space. It's able to dispense a wide range of hygiene products such as soaps, disinfectants and lotions.

### **Easy to use**

A clear display of the five different operation segments and the use of brightly coloured LED lights make using the miscea KITCHEN system simple.

### **Hygienic sensor activation**

When hands become dirty, you can activate water and receive detergent completely touch free, reducing the problem of cross contamination.

Completely touch free user interface with intelligent infrared sensor technology for the cleanest and mess free experience each and every time. Touch free functions include water on/off segment, water temperature control, and activation of up to two different liquids of choice.

### **Be Smart. Save Water.**

miscea Sensor faucet systems can lower water usage by up to 60%\*. It works by ensuring water flows only when you really need it. Special aerators integrated into miscea faucets also help to reduce water consumption by enriching the water with air, resulting in a luxurious stream of bubbly water that is soft to the touch, non-splashing while using even less water.

\*Compared to manually operated faucets without water saving aerator: 3.5 gpm

## Performance Specifications

Voltage	24 V <sub>DC</sub>
Input Voltage	100 ~ 240 V <sub>AC</sub> / 50 ~ 60 Hz
Operating water pressure	0,8 - 10 bar
Max. water temperature	75 °C
Enclosure rating of PCB	IP 55
Faucet weight (incl. hoses & cables)	
Standard model:	1,5 kg
Water flow regulator weight	1,5 kg
Water box weight (incl. hoses)	1,75 kg
Soap box (excl. pouches)	0,95 kg

## Default Settings

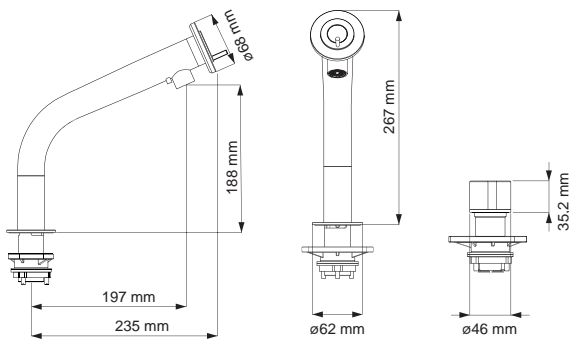
Dispense volume of Liquid 1	1 ml
Dispense volume of Liquid 2	3 ml

## Finish Options



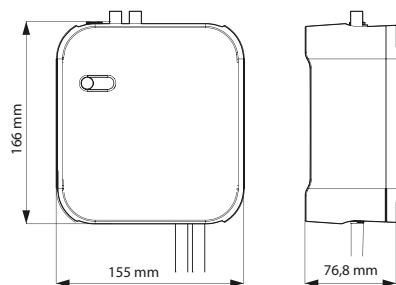
Polished Chrome

## Faucet Dimensions



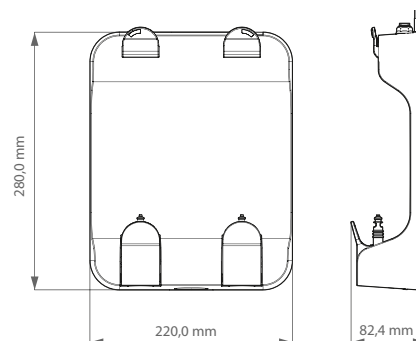
**KITCHEN Standard**

## Waterbox Dimensions



**miscea Waterbox**

## Soapbox Dimensions



**miscea S1 Soapbox Pouch**

# REFILL PRODUCTS

HIGH QUALITY HAND HYGIENE PRODUCTS.



*miscea Systems feature our unique and patented refill unit - It's a hygienic and efficient system for changing liquid products when your miscea runs out.*

## **miscea S1 Soapbox for Pouch Refills**

The **S1 Soapbox** for use with Soft Pouch Refills, is sleek and modern in design. It was engineered for use with vacuum sealed 1L pouches filled with high quality miscea liquid products.

This vacuum seal method maintains a high and stable quality of the contents inside, and ensures consistent dispensing of liquid hand hygiene products is consistently pumped through your miscea system.

Capable of holding a maximum total of 2 L of liquid products, the S1 Soapbox unit ensures the Soft Pouches are kept in a secure and upright position while connected to your miscea system ready to be used.





**Hand Lotion**



**Disinfectant**



**Surface Disinfectant**



**Hand Wash**



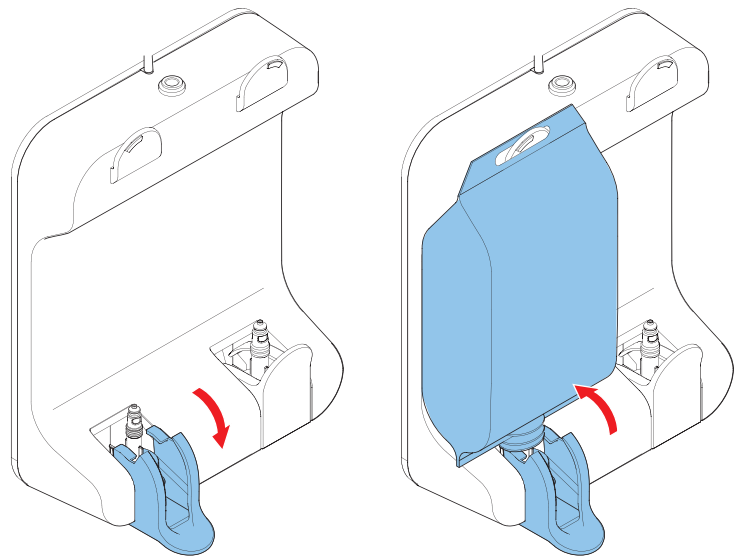
**Detergent**



**Sensitive Hand Wash**

## Easy to install

When the product pouches are empty, it's as simple as opening the quick release handles to remove the empty pouch, placing the new pouch over the connector and closing the quick release handles. Fast, clean and simple!



## High Quality Liquid Products

miscea systems use high quality and effective liquid refill products. Users have a choice between a wide range of products compatible for use with miscea systems, from soaps and disinfectants to hand lotions and surface disinfectants.

Please visit our website for the full list of skin care products available.  
[www.miscea.com](http://www.miscea.com)

# The clean solution.



Ecoprod Technique  
33-35 Portugal Road, Woking,  
Surrey GU21 5JE  
Tel: +44 (0)1483 773373  
Fax: +44 (0)1483 740700  
E-mail: [sales@ecoprod.co.uk](mailto:sales@ecoprod.co.uk)  
Web: [www.ecoprod.co.uk](http://www.ecoprod.co.uk)