



TRANSFORMING THE WAY WE UNDERSTAND WATER



AQUALYTICS FLOWLESS PRODUCT SUBMITTAL

Overview

Aqualytics is a passionate clean-tech company with an intelligent IoT real-time water monitoring and conservation solution. Our solution empowers both residential and commercial portfolios to optimise water efficiency, cut costs and prevent water damage through advanced pattern recognition and machine learning

Flowless is a real-time intelligent water management solution that enables water consumption management through advanced data analysis and control. Once the Flowless solution is installed, it learns the property's water usage, detects and highlights anomalies as leaks and inefficiencies through an online alert and reporting system.

The web-based dashboard presents a wide range of data driven insights and reports that point to water consumption trends in addition to deep comparative analysis between sites or regions. It also provides an online mechanism to remotely shut off water in cases of leaks or emergencies.

Features

- Applications include commercial office buildings and campuses, commercial multifamily buildings and hotels, both retrofit and new build.
- Available for pipe sizes 0.75", 1.5", 2", 3", 4"
- Mastermeter water meters reinforced nylon or lead free envirobrass option
- 0.75" is an all in one unit
- 1.5", 2" are modular and include an optional oval automatic valve and connector box with plug
- Stream your water optimisation dashboard to any tablet, computer or phone for an on-the-go experience and remote flow shutoff.

CERTIFICATIONS & OPERATING CONDITIONS

- P66 RATED
- NSF 61/ANSI 372 CERTIFIED
- MAXIMUM OPERATING PRESSURE 150 PSI
- NOMINAL PRESSURE 80 PSE

PRODUCT REQUIREMENTS & CERTIFICATIONS

- POWER: THE FLOWLESS UNIT IS AVAILABLE AS A BATTERY POWERED (LIFE SPAN 5 YEARS NORMAL USE) OR AC POWERED UNIT WITH AC CONNECTION PREFERRED
- AC POWERED UNIT REQUIREMENTS (INDOOR USE ONLY): 0.6 AMP VAC, SINGLE PHASE 50/60 HZ 110V, 7 FOOT RANGE OF INCLUDED CORD (MAX RANGE), WATERPROOF AC OUTLET, MINIMUM 2 AMP CAPACITY AT AC POINT, CURRENT TRANSFORMER 1 AMP, 24W.

COMMUNICATIONS

THE UNITS COMMUNICATE VIA SECURE IoT CELLULAR PROTOCOL REQUIRING AN AREA WITH PROPER AT&T RECEPTION. SIGNAL STRENGTH IS VERIFIED BY THE PRE-SALES TEAM AND IS A REQUIREMENT FOR PROPER FUNCTION. AS SUCH, FOR OUTSIDE APPLICATIONS, THE UNIT SHOULD BE HOUSED IN PLASTIC AS OPPOSED TO CONCRETE OR STEEL.

TRANSFORMING THE WAY WE UNDERSTAND WATER



AQUALYTICS FLOWLESS PRODUCT SUBMITTAL

Operating Conditions and Dimensions

Master Meter			
Diameter	Min flow rate GPM	Normal flow (GPM)	Max flow rate (GPM)
0.75"	0.27	165	22
1.5"	0.27	5-100	100
2"	0.27	8-160	160

Ooval Valve			
Diameter	PSI (min\max)	GPM (min\max)	FOV (kv\cv)
1.5"	7.3\145	0.9\132	40\46
2"	7.3\145	0.9\132	51\59

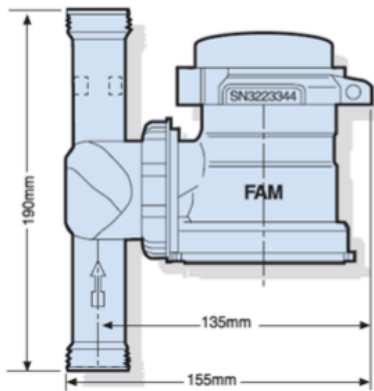


TRANSFORMING THE WAY WE UNDERSTAND WATER

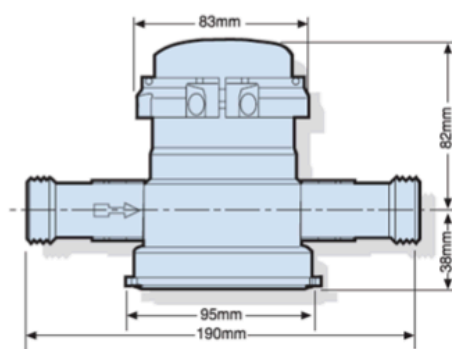


AQUALYTICS FLOWLESS PRODUCT SUBMITTAL

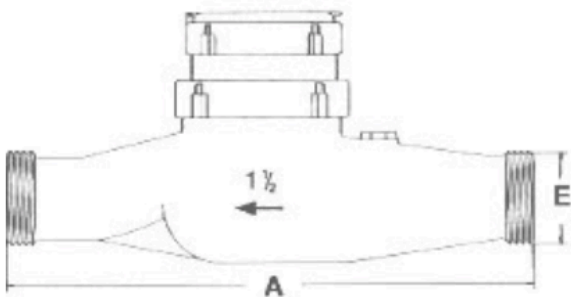
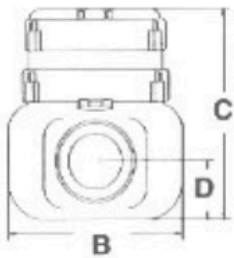
Vertical Installation



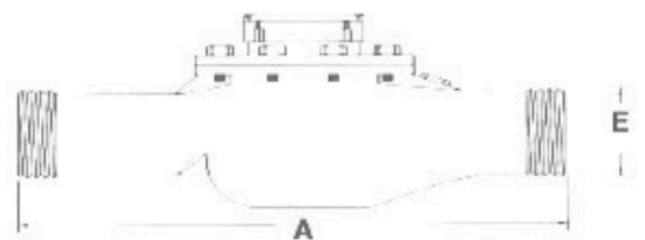
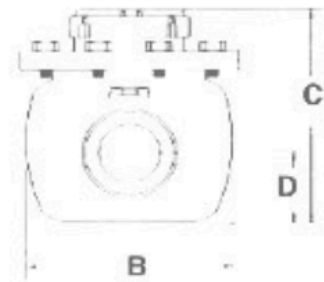
Horizontal Installation



1 1/2" Threaded-End



2" Threaded-End



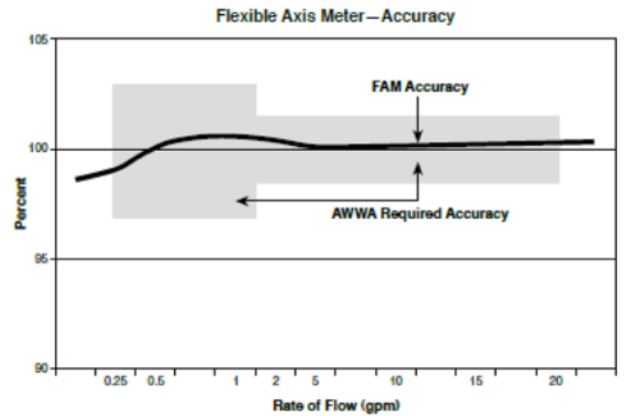
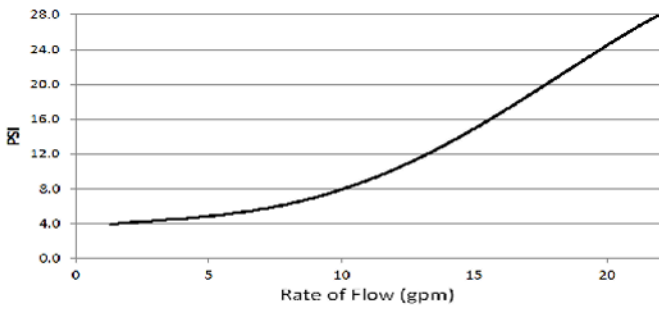
TRANSFORMING THE WAY WE UNDERSTAND WATER



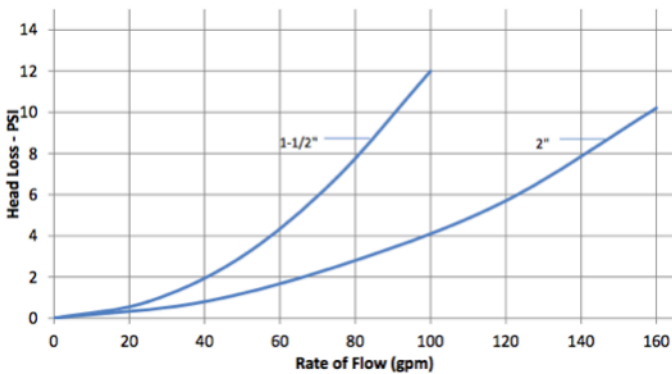
AQUALYTICS FLOWLESS PRODUCT SUBMITTAL

Product Specifications: Pressure Headloss and Accuracy

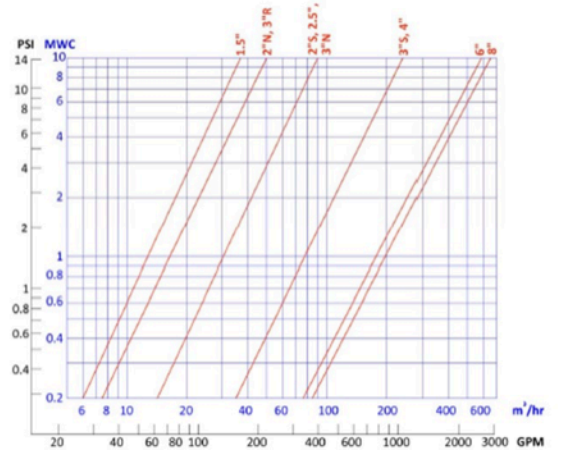
0.75" Head Loss and Accuracy



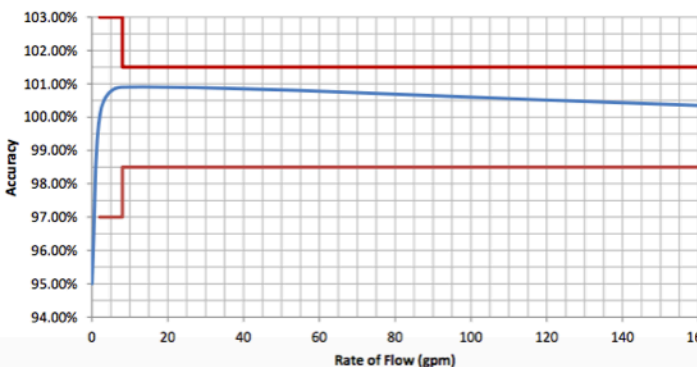
Master Meter 1.5", 2" Head Loss



Oval Valve 1.5", 2" Head Loss



Master Meter 1.5" Accuracy



Master Meter 2" Accuracy

