

# MISCEA PRODUCT CATALOGUE

EXPERIENCE HYGIENE

---

---

### **MISCEA GENERAL DISCLAIMER**

Every reasonable effort will be made to ensure that all featured merchandise is available, but interruption in supply may occur. miscea also reserves the right to vary specifications and design or use alternative materials or products as may be deemed necessary at any time (changes or variation not to affect quality or performance). While great care has been taken to ensure accuracy of all product descriptions, miscea reserves the right to correct errors or misprints.

Product Catalogue Version: V20.EN.GES.1.0 UK

# MISCEA CONTACT INFORMATION

---

## HEAD OFFICE

miscea GmbH  
Hauptstraße 2  
14979 Großbeeren  
Germany

Monday - Friday  
08:00 - 17:00

T: +49 (0) 33701 3553 0  
F: +49 (0) 33701 3553 19  
E: berlin@miscea.com

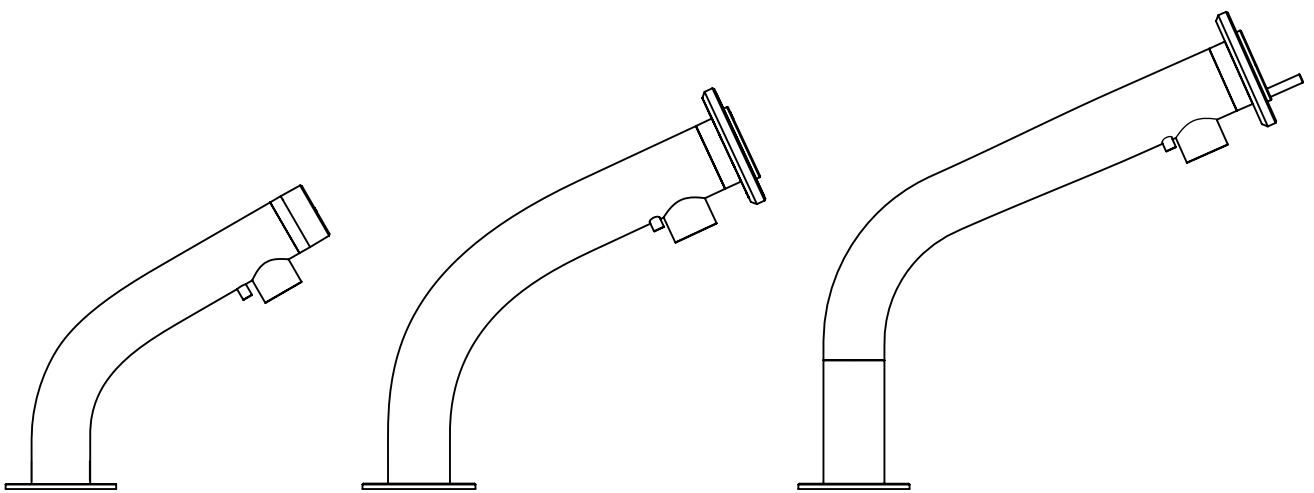
Installation, user and maintenance manuals, technical drawings and specifications, and product safety data sheets can be found in the download page at [www.miscea.com](http://www.miscea.com).

## UNITED KINGDOM

Ecoprod Technique  
33-35 Portugal Rd  
Woking GU21 5JE  
United Kingdom

Monday - Friday  
08:30 - 16:30 (CET)

T: +44 (0) 844 800 7890  
E: enquiries@ecoprod.co.uk



# TABLE OF CONTENTS

	PAGE
<b>INTRODUCTION</b>	<b>7</b>
Our hand hygiene saves lives	7
The miscea concept	10
Experience technology	12
<b>SO, WHY USE MISCEA?</b>	<b>14</b>
Achieve optimal hand hygiene	16
Create safe and stylish spaces	20
Experience joy in easy operation	22
Ensure water quality	24
Achieve sustainable hygiene	28
Reduce costs	30
Enjoy award winning design	32
Experience quality Made in Germany	34
<b>MISCEA SENSOR FAUCET SYSTEMS</b>	<b>36</b>
miscea CLASSIC	38
miscea CLASSIC pure	42
miscea KITCHEN	46
miscea LIGHT	50
<b>REFILLS / ACCESSORIES</b>	<b>55</b>
Liquid Refills	56
Accessories	58
<b>SYSTEM COMPONENTS / SERVICE</b>	<b>60</b>
Soapbox	62
Waterbox	63
Service	65
<b>COMPANY PROFILE</b>	<b>66</b>
miscea GmbH	66





# OUR HAND HYGIENE SAVES LIVES

## **MANY INFECTIOUS DISEASES ARE SPREAD BY NOT WASHING HANDS WELL**

The skin on our hands is the first line of defence against infections. Our hands come in contact with germs all the time and we transfer these germs to everything that we subsequently touch. Any cuts or lesions of the skin are possible sources of entry for viruses and bacteria, so it's care and hygiene is crucial for reducing the risk of becoming ill.

Although we are unable to see bacteria, according to the WHO, up to 80% of all infectious diseases are transmitted through inadequate hand hygiene. Proper and regular hand washing and disinfecting therefore reduces the risk of possible illnesses such as the flu, food poisoning and healthcare associated infections being passed from one person to the next.

Wherever there are many people present, be it in a healthcare setting, office, production hall, in a shop or in public places, the risk of transmitting infectious diseases is particularly high. There are pathogens (such as noroviruses, influenza viruses), which can lead to epidemics. Good hand hygiene is therefore one of the primary measures to prevent the spread of infection.

# EVERYONE **HAS EXPERIENCED** THESE MOMENTS BEFORE...





...BUT NOT EVERYONE HAS  
**EXPERIENCED THE JOY**  
OF USING A MISCEA



# THE MISCEA CONCEPT

miscea offers unique faucet systems that has revolutionized the way people wash and disinfect their hands. It's the first sensor faucet system of its kind in the world, capable of dispensing water and liquid hand hygiene products from the same faucet. The use of sensors and lights make miscea systems intuitive and easy to use:

1. Moving a hand close to the sensors around the glass display, the selected function is activated.
2. A coloured LED light confirms the function selected.
3. Moving a hand under the water and dispenser outlets will activate the pumps and dispense the selected liquid.

By combining the functions of a faucet with liquid dispensers, the miscea concept has made proper hand washing fast, easy and efficient to perform. Thanks to a unique mix of sophisticated sensor technology, smart engineering and elegant design, hand hygiene simply cannot be performed more comfortably and hygienically than with a miscea system.

The miscea concept was first conceived in 1999, when two engineers shared a vision to simplify the hand washing process and improve the adoption of good hand hygiene into everyday life. They envisioned a "3-in-1" system that combined everything needed for the hand washing process into a single touch free faucet. This vision was successfully realised with the first miscea sensor faucet system. Fittingly, the name miscea was chosen because in Latin the word "misceo", means "to mix" or "to combine".

More than a decade later, miscea now offers an entire range of completely touch free faucet systems designed for use in different settings where hand hygiene is paramount. This can be in operating theatres of leading hospitals and medical centres, research facilities or laboratories, modern lavatories, bathrooms and private kitchens. With miscea systems, good hand hygiene habits can be effortlessly adopted into daily work processes and personal routines.



**Water**



Soap

Disinfect

Warm water

Cold water

# EXPERIENCE TECHNOLOGY

## THE MISCEA SYSTEM

Every miscea sensor faucet system consists of a combination of these three components:

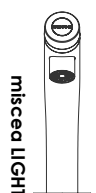
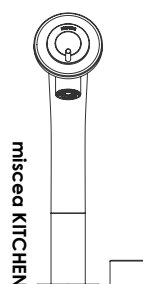
1. miscea sensor faucet
2. miscea waterbox
3. miscea soapbox



## 1. THE MISCEA FAUCET

miscea faucets are the main components in every miscea system. They have the latest sensor technology for fast, accurate response to hand gestures. What makes miscea faucets unique is the integrated dispensers and its easy to use interface.

There are 3 faucet models; miscea CLASSIC, miscea LIGHT and miscea KITCHEN. Each model has been designed to meet the specific needs of different user groups. Therefore each model has different functionalities to suit different application areas.





**2. THE MISCEA WATERBOX**

The miscea waterbox controls the valve that turns the water on and off as well as adjust the water temperature. It contains advanced electronics and is not dependent on batteries.

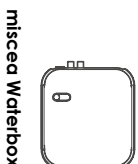
This component is only required with the miscea CLASSIC and miscea KITCHEN models.



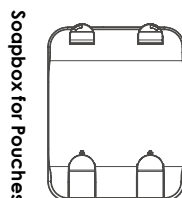
**3. THE MISCEA SOAPBOX**

miscea systems with integrated dispensers include a special component to hold a variety of different liquids such as soap, disinfectant, or other liquid products. This is referred to as the soapbox and is available in two different versions.

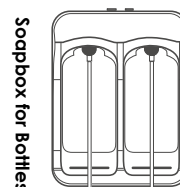
One version is for use with miscea pouches and the other version is for use with industry standard 1 L Euro bottles. Both versions allow for fast and easy replacement of liquid products.



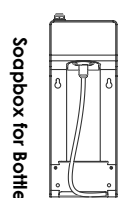
Miscea Waterbox



Soapbox for Pouches



Soapbox for Bottles



Soapbox for Bottle

**EXPERIENCE  
QUALITY  
MADE IN GERMANY**



**ENJOY  
AWARD WINNING  
DESIGN**



# SO, WHY USE

**REDUCE  
COSTS**



**ACHIEVE  
SUSTAINABLE HYGIENE**





ACHIEVE  
**OPTIMAL  
HAND HYGIENE**



CREATE  
**SAFE AND STYLISH  
SPACES**

# MISCEA?



EXPERIENCE  
**JOY IN EASY OPERATION**



ENSURE  
**WATER QUALITY**

# ACHIEVE OPTIMAL HAND HYGIENE

## HAND HYGIENE GUIDELINES IN HEALTHCARE SETTINGS

The World Health Organization (WHO), the Robert Koch Institute (RKI) in Germany, the Dutch Working Group on Infection Prevention (WIP), and many other leading healthcare organisations around the world, have specific guidelines for hand hygiene in healthcare settings. They all recommend using faucets and dispensers without hand contact as the optimal standard for the prevention of infections.

With manually operated faucets and dispensers, bacteria is easily transferred from person to person through hand contact with contaminated surfaces. For this reason, the risk of cross contamination when using conventional products is significantly higher than when using sensor-controlled solutions.

## WHO GUIDELINES FOR OPTIMAL HAND HYGIENE

According to the WHO - Guidelines on Hand Hygiene in Healthcare, hand washing stations in healthcare settings should have a reliable supply of hand hygiene products and be adequately equipped with the following:

- **Faucets (including water temperature adjustments) that can be operated without the need to touch the faucet.**
- **Dispensers (soap and disinfectant) that can be operated without hands coming into contact with the dispenser itself.**

These guidelines are intended to protect patients and staff from the transmission of infectious diseases.









### MISCEA HAS DEVELOPED THE PERFECT SOLUTION

To meet these requirements set out by the WHO and other leading healthcare organisations, water faucets and dispensers with an extended lever can be used. However operating these types of faucets and dispensers with the forearm, is uncomfortable - especially if they are mounted in hard to reach places. In addition, long lever faucets are uneconomical, since significantly more water is consumed than self closing faucets if the user leaves the water running while hand washing.

Conventional sensor faucets and knee / foot activated faucets are usually unsuitable since these devices don't allow for accurate water temperature adjustments. If water temperature adjustment is available, it can usually only be realised with direct hand contact. This is of course not ideal due to the potential risk of cross contamination.

A miscea sensor faucet system replaces the need for the following separate products:

1. Long lever faucet for changing the water temperature
2. Foot switch that must be installed
3. Solenoid valves for hot and cold water
4. Touch free soap dispenser
5. Touch free disinfectant dispenser

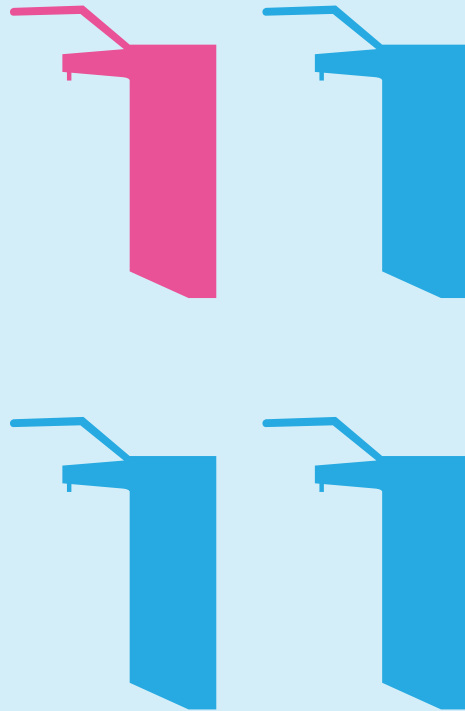


### MISCEA SYSTEMS MEAN CONFIDENCE AND SECURITY

From getting water, soap and disinfectant to changing the water temperature, miscea systems are operated completely touch free thanks to state of the art sensor technology. The lack of contact with the faucet itself, reduces the risk of cross contamination before and after hand washing. This ensures the highest hygiene standards can be consistently met.

miscea is the only company in the world offering an all-in-one, completely touch free solution that satisfies hand hygiene guidelines in healthcare settings recommended by world leading healthcare organizations.

**1 in 4 refillable bulk soap dispenser is contaminated with illness causing bacteria.**



Contaminated liquid soap can actually increase the number of bacteria on your hands after washing. Once a dispenser is contaminated, it becomes very difficult to clean as the bacteria will simply regrow.

miscea systems use peristaltic pumps to ensure reliable and accurate dispensing of the liquid products. This particular type of pump has no seals or valves that can clog, which means they are the most hygienic pumps available.

**According to the WHO: "Dispensers should have a disposable reservoir and should not be refilled."**

Although the pumps used in miscea systems are very hygienic, it is still recommended the dispensers be thoroughly cleaned and disinfected before each liquid product change. This step ensures liquid products remain effective and uncontaminated when placed into dispensers.

For this reason, miscea TubeCleanse (p. 53) was developed to clean and disinfect the internal dispenser components of miscea systems. This solution is pumped through the dispenser tubes before placing a new liquid product into the soapbox.

Source: Zapka, Carrie A., Campbell, Esther. J., Maxwell, Sheri L., et al. : "BACTERIAL HAND CONTAMINATION AND TRANSFER AFTER USE OF CONTAMINATED BULK-SOAP-REFILLABLE DISPENSERS" In: AEM. <http://aem.asm.org/content/77/9/2898.full> (visited on 02.12.2017)

# CREATE SAFE AND STYLISH SPACES

## **NO NEED FOR SEPARATE DISPENSERS**

Whether in a surgery setting, medical office or public wash room, the surfaces around the faucet and washbasin area should be kept as clean and clutter free as possible. miscea's sensor faucet systems with integrated dispensers are practical and eliminates the need for a multitude of dispensers hanging on the walls or placed on surrounding surfaces near the wash basin.

Instead, the components of the miscea system can be hidden away from view in a cabinet or under the sink. It's compact design requires very little space. This leaves visitors with a clean and tidy impression of the facilities while the completely touch free operation reduces the risk of cross-contamination.

## **NO DRIPPING, MINIMAL CLEANING EFFORTS AND IMPROVED SAFETY**

Studies have shown that unhygienic and unappealing wash rooms discourage hand washing and drive users away. Dirty washbasins, empty soap dispensers or puddles on counter tops are just some of the things that can negatively impact hand hygiene behaviour and user experience.

miscea systems ensure liquid products end up directly in the sink, keeping surrounding surfaces cleaner for longer. Cleaner spaces mean improved safety for everyone. As a result, the cleaning effort is minimized, which leaves more time for the important things.





# EXPERIENCE JOY IN EASY OPERATION

## ERGONOMIC AND EASY TO USE

On average, a healthcare worker washes their hands 70 times a day. Needless to say, an ergonomic product design is indispensable. Faucets and dispensers with long levers are uncomfortable to operate with the forearm and they don't allow for accurate water temperature adjustments.

The intuitive miscea user interface on the other hand, is extremely comfortable to use. All functions can be activated completely touch free by moving a hand to the desired sector around the glass display. Unnatural movements of the arm is therefore avoided and the overall efficiency and work flow is improved.



## FAST AND RELIABLE SENSOR TECHNOLOGY

Equipped with state-of-the-art sensor technology, miscea systems are the most reliable and responsive sensor faucets on the market. Unlike other faucets, miscea systems respond promptly and accurately for a stress-free and enjoyable experience with every use.

## SAFE STARTING WATER TEMPERATURE

The pre-set starting water temperature of miscea sensor faucet systems help to prevent scalding accidents. Even if the water temperature is changed during use, the system will immediately revert to the predefined starting water temperature upon the next use.



#### **OPTIMIZE PERFORMANCE OF MISCEA SYSTEMS WITH THE REMOTE CONTROL**

Many of the functions of miscea sensor faucet systems can be individually adjusted with the miscea remote control. The amount of soap and disinfectant dispensed can be adjusted according to the different requirements of each facility. As a result, the consumption and costs for liquid products can be reduced.

Other functions such as the starting water temperature, the duration of the water flow, the automatic water spool cycles, and the light mode of the glass ring can all be adjusted individually.

An overview of all the functions which can be adjusted with the remote control can be found on page 55.

#### **EASY INSTALLATION WITHOUT SPECIAL TOOLS**

miscea sensor faucet systems are delivered with all the necessary fixings and fasteners for installation so no additional items need to be purchased. By adhering to standardized industry measurements, miscea sensor faucet systems can be installed promptly without the need for special tools or preparation.

Installation and set up of miscea sensor faucet systems is designed to be fast and simple so it can be used immediately.

# ENSURE WATER QUALITY

## 100% INDEPENDENTLY CERTIFIED

The technology in sensor faucets can be quite complex and it's no surprise that the inner workings of a sensor faucet will generally consist of more internal parts than in a conventional hand operated faucet. Many of these internal parts come in contact with water and can therefore become breeding grounds for water borne pathogens. This is of course very dangerous and can even be life threatening to members of the community with compromised immune systems.

Most sensor faucets from other manufacturers (faucets with an electronic opening and closing valve) do not use the latest technologies. Often, inferior materials are used as economic interests are given priority over quality and safety.

This is not the case at miscea. As a sensor faucet manufacturer, we have a special responsibility towards everyone who uses our products and the wider community. By only selecting materials that have been certified and proven to be safe when in contact with drinking water, we ensure the water quality remains unchanged. The materials selected by miscea do not release harmful substances into the water and how miscea systems are engineered helps prevent bacterial growth inside the system.

To help users more easily identify this, miscea has gained DVGW certification and WRAS product approval for all miscea sensor faucet systems. This means decision makers and users alike can have the confidence and peace of mind they are selecting high quality and safe products from a brand they can trust.









## INNOVATION AND HYGIENE - MISCEAS LEITMOTIV

miscea GmbH develops and produces according to the latest guidelines and technical standards. The materials used and compliance with the legal requirements are of utmost importance to the company. Having the right certifications and approvals such as DVGW and WRAS, enable miscea systems to be safely connected to any mains water supply.

miscea's multifunctional sensor faucet product family is designed and manufactured in accordance with EU directives (93/68 / EEC, 98/83 / EC, 2006/95 / EC, 89/336 / EEC). The directive EN 15091 is the recognised technical test standard for electronic opening and closing sanitary tap ware.

miscea sensor faucet systems were certified according to DVGW guidelines in Germany and WRAS product approval guidelines in the UK. All miscea systems proudly carry the DVGW EN conformity mark and the WRAS product approval mark.

It demonstrates miscea systems comply with European standards and provides indisputable proof the systems meet the required quality and performance criteria with regards to mechanical, electronic and hygienic safety.

As part of the DVGW certification process, miscea systems also demonstrated compliance with the requirements of the Federal Environment Agency (UBA) in Germany regarding materials and substances that come into contact with drinking water. In addition, all miscea faucet systems have been tested and certified in accordance with EN 1717 "Protection against contamination of potable water in water installations through back flow".

Architects, specifiers, installers and end users can therefore, be assured that miscea systems are deemed to have one of the highest quality standards currently available on the market. Where ever hygiene is of paramount concern, miscea offers high performance, high quality and very hygienic sensor faucet solutions.



**miscea faucets can help prevent the growth of bacteria in stagnant water through automatic spool cycles.**



**AUTOMATIC SPOOL CYCLE FUNCTION**

Manual flushing routines are unreliable, difficult to organise and is therefore cost and labour intensive. miscea sensor faucet systems have an inbuilt safety feature to protect against the growth of waterborne bacteria. If the system has not been used for 14 days, an automatic spool cycle will start. This helps to prevent the growth of bacteria inside the faucet usually associated with stagnant water.

Using the miscea remote control, these automatic spool cycles can be adjusted to meet the different water safety plan requirements of each facility. Equipped with such intelligent software, miscea sensor faucets can pro-actively guard against bacterial growth from water stagnation.

**ABOUT DVGW**

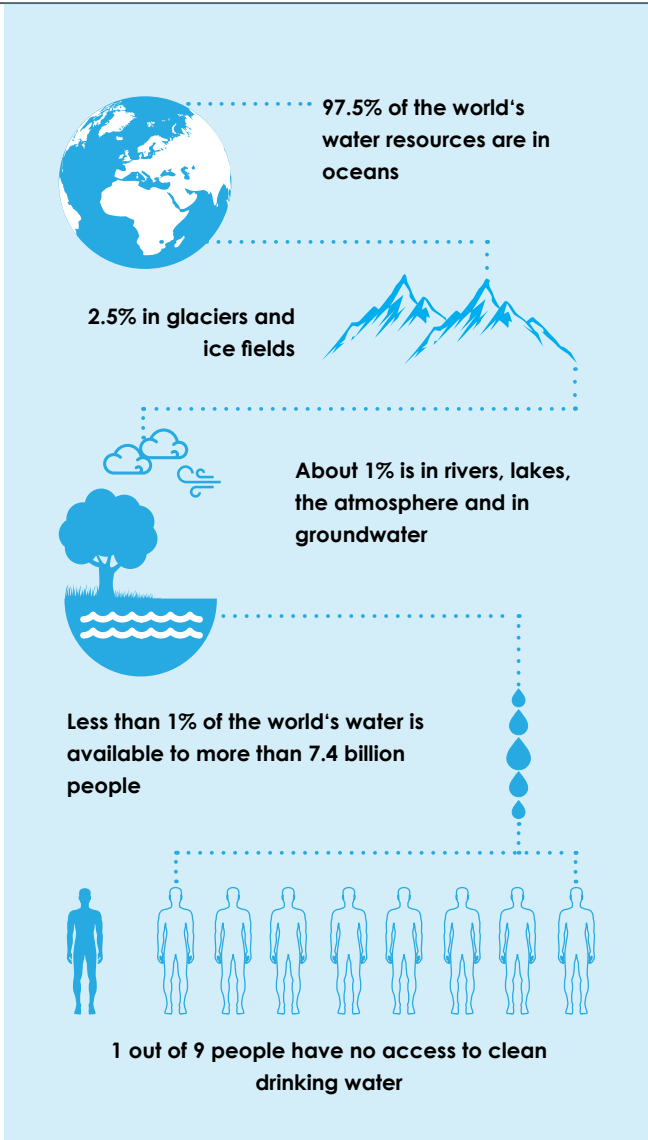
The German Gas and Water Association (DVGW) is an organization that develops and establishes standards and test protocols. As the world's oldest technical and scientific gas and water association, it is indispensable for end users as well as companies in the gas and water industries.



**ABOUT WRAS**

WRAS is the approval scheme for the UK water industry and products approved by the scheme undergo stringent and rigorous testing to show they comply with the Water Supply (water fittings) Regulation 1999 and Amendments. It means miscea products will not cause waste, undue consumption, misuse, or contamination to the water supply.





# ACHIEVE SUSTAINABLE HYGIENE

## THE CLEAN WATER CRISIS

Water scarcity is an abstract concept to many and a stark reality for others. Most of the water (97.5%) is in the ocean which means only 2.5% is freshwater. However, two-thirds of this is tied up as ice in glaciers and snow fields. This leaves less than 1% as freshwater in rivers, lakes, the atmosphere and in groundwater.

In essence, only 0.007 % of the planet's water is available to fuel and feed its 7.4 billion people. Wastage of potable water occurs in several ways with manually operated faucets. Typically, they are left running the entire time while performing simple tasks such as hand washing, shaving or cleaning.

Source: „FRESHWATER CRISIS“. In: *National Geographic*. <https://www.nationalgeographic.com/environment/freshwater/freshwater-crisis/> (Visited on 02.12.2017)



At miscea, we believe the key to sustainable water is to take technological advances and combine this with smart design innovations to develop sustainable products for more efficient water usage. This belief is reflected in our day-to-day operations and in the products we design and produce.

#### **SUSTAINABLE SOLUTIONS NOW AND IN THE FUTURE**

miscea sensor faucet systems are equipped with the latest sensor technology that allows them to regulate water usage by automatically switching the water on or off as needed.

Special aerators integrated into miscea faucets also help to reduce water usage by enriching the water with air, resulting in a luxurious stream of bubbly water that is soft to the touch and non-splashing.

#### **ENVIRONMENTALLY FRIENDLY LIQUID SOAP**

Nowadays, environmental protection plays an important role for a growing proportion of the global population. In this context, it has become clear that more people want to contribute to environmental protection through their personal consumption behaviour.

miscea Eco Soap carries the EU Ecolabel. This label guarantees miscea Eco Soap is compliant with stringent biodegradability requirements and has less impact on the aquatic ecosystems than regular liquid soaps.



# REDUCE COSTS

## LOWER OPERATING AND MAINTENANCE COSTS

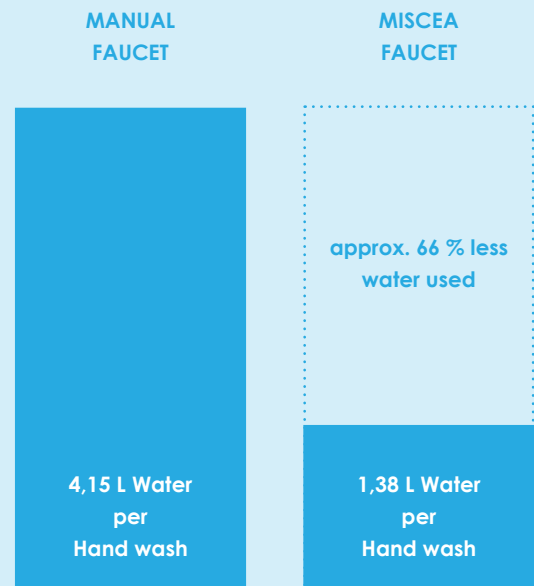
miscea systems enable good hand hygiene in public spaces to be realised with low operating and maintenance costs. Here are just a few of the reasons how miscea systems can accomplish this:

- **High quality parts and components ensure minimum care and maintenance is required.**
- **Using a power adapter instead of a battery-powered solution eliminates battery charging times and unreliable or interrupted power supply.**
- **The default settings are programmed so that exactly 1 ml of soap is used per hand wash, which allows miscea systems 1000 applications per 1 L of soap.**



**POTENTIAL WATER SAVINGS**

With sensor controlled faucets from miscea, water savings of 60 - 70% can be realized. Using less water also means significantly reducing associated costs such as water heating or waste water costs.



The average duration of a hand wash is 30 seconds. A manual faucet consumes 4.15 L of water in this case. A miscea faucet, on the other hand, requires only 1.38 L, since no water flows while hands are being lathered with soap and scrubbed.

COST PER UNIT PER YEAR	ALT.	MISCEA
<b>*Soap costs</b> Amount of soap used x No. users per day x No. working days / 1000 x Soap price.	€ 832,00	€ 416,00
<b>**Cleaning and maintenance</b> (Cleaning time / 60 ) x 52 Weeks x the statutory minimum wage of € 8.84 gross per hour (as of 2017).	€ 114,92	€ 38,30
<b>Electricity costs</b> Power consumption in stand by mode is 1 W/hr. According to Eurostat, the average electricity price for industrial customers in Germany in 2017 is 17.12 cents / kWh.	-	€ 1,49
<b>***Water costs</b> Water usage per visitor x No. of visitors per day x No. of working days a year / 1000 x ave. hot water price incl. additional costs.	€ 1.193,00	€ 398,00
<b>TOTAL VARIABLE COSTS</b>	<b>€ 2.139,92</b>	<b>€ 853,79</b>

On the left is an example of the possible operating costs for a miscea system compared with an alternative solution of a manual faucet and separate soap dispenser combination.

The calculation is based on 200 uses per day, 260 working days a year and a hand washing time of 30 seconds. The aerator has a flow rate of 8.3 L / min.

**\*SOAP COSTS:**

Alternative: 2 ml (On ave. 2 doses of 1 ml is used per hand wash)  
 miscea: 1 ml  
 Soap price: 8 Euro per 1 L

**\*\*CLEANING AND MAINTENANCE COSTS:**

Cleaning duration for Alternative: 15 min per Week  
 Cleaning duration for miscea: 5 min per Week

**\*\*\*WATER COSTS:**

Cold water price: 1.69 Euro / m<sup>3</sup> (Drinking water-Tariff 2017 Berlin Water Utility)  
 Warm water price: 4.77 Euro / m<sup>3</sup> (ave. Warm water price up 40 degrees)  
 Waste water price: 2.30 Euro / m<sup>3</sup> (Waste water-Tariff 2017 Berlin Water Utility)  
 Duration of time water outlet is open for Alternative: approx. 30 seconds  
 Duration of time water outlet is open for miscea System: approx. 10 seconds

# ENJOY AWARD WINNING DESIGN

## REINVENTING THE FAUCET

miscea' design philosophy is based on, for the most part, German early modernist tradition started by Ludwig Mies Van Der Rohe and the likes of the Bauhaus movement in the early 20th century. Our products are characterized by functionalism and a minimalistic design.

From famous architecture in New York, to the very smart phones we use today, these principles have inspired countless world renowned designers to create outstanding and timeless designs throughout the 20th century and beyond.



Laying the foundation for elegant and intuitive products for many years to come, we strive to design extraordinary products by applying these basic principles of clarity and cleanliness founded by these influential designers. Our products create a stylish and modern atmosphere that improves the look and feel of the environment in which it is used.

As the proud winner of many international accolades such as the red dot design award and IF design award year after year, users can expect to enjoy smart functionalities combined with world class design.





#### IF DESIGN AWARD

Judged by renowned design experts from around the world, only the most outstanding product designs are recognized and rewarded. The iF label is recognized globally as the seal of design excellence and serves as a guide for quality products in international markets.

#### RED DOT DESIGN AWARD

As one of the most prestigious design competitions in the world and with more than 4000 entries from over 40 countries each year, the reddot design award is an internationally recognized quality label for excellent design. miscea was awarded with the reddot product design award in the category "best of the best" in 2009 for the miscea CLASSIC system.



#### GERMAN DESIGN AWARD

The German Design Award is bestowed annually for outstanding achievements in product and communication design by the German Design Council. Only products that are both pioneering and marketable are considered. miscea was nominated in 2014 for a German Design Award.

#### A'DESIGN AWARD

Winning the A' Design Award is a certificate of excellence for designers and a proof of quality for companies. It is the indicator of quality and perfection in design. The award is recognized worldwide and takes the attention of design oriented companies, professionals and interest groups. miscea won a gold and a silver award for the miscea KITCHEN and LIGHT respectively.

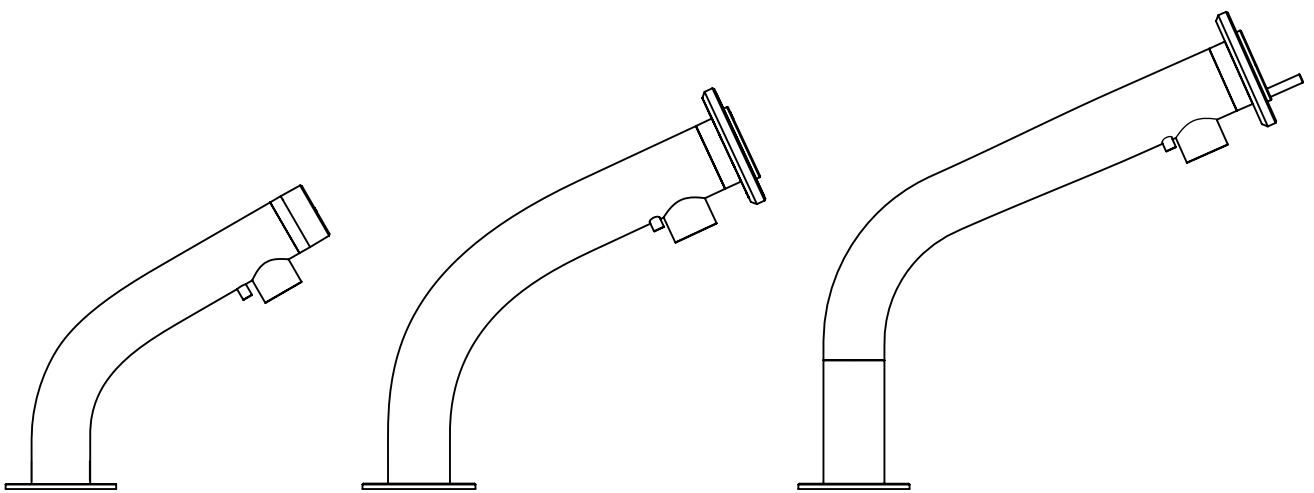
# EXPERIENCE QUALITY MADE IN GERMANY

## ENJOY HIGH QUALITY SENSOR FAUCET SYSTEMS

miscea systems are produced with world-renowned German quality standards. Users can expect meticulous design, excellent quality and passion for outstanding workmanship. By producing at our own facilities in Germany, we can ensure that the highest quality standards are met. Using high quality materials and components in miscea systems ensures consistently reliable performance and low maintenance - even in the most demanding of environments.







# MISCEA SENSOR FAUCET SYSTEMS

PRODUCT INFORMATION: MISCEA CLASSIC



# EXPERIENCE THE MISCEA CLASSIC “3-IN-1”-SYSTEM

## THE PROFESSIONAL CHOICE FOR OPTIMAL HAND HYGIENE

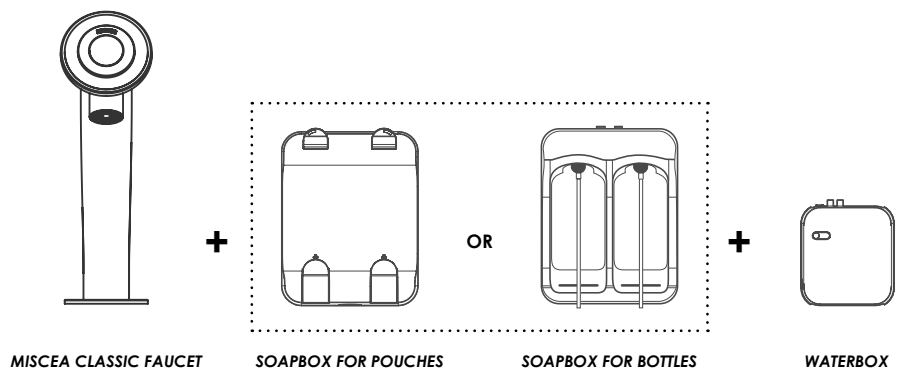
The miscea CLASSIC is the world's first sensor-controlled faucet system of its kind. Using advanced sensor technology, it is capable of dispensing water, soap and disinfectant. Even the water temperature can be adjusted completely touch free. It's the new and unique concept that has changed the way people wash and sanitize their hands.

The miscea CLASSIC system reduces the risk of cross-contamination for a more hygienic and germ-free environment. By combining the functions of a water faucet with two dispensers, the system has made hand washing more comfortable, convenient and efficient.

This system is especially suitable for hygiene-sensitive applications such as in medical environments, dental practices, laboratories or sterilisation rooms.

## SYSTEM COMPONENTS

The miscea CLASSIC system consists of the CLASSIC sensor faucet, the waterbox and the soapbox. There are two versions of the soapbox - one is for use with vacuum sealed pouches and one is for use with standardized 1 L Euro bottles.



# PRODUCT INFORMATION: MISCEA CLASSIC



## DESCRIPTION

Sensor faucet with integrated soap and disinfectant dispensers and touch free water temperature controls.

## FEATURES

- Electronic faucet with 2 selectable liquid options
- Faucet user interface made of high quality laser engraved glass
- Clear display for water temperature feedback
- Touch free water temperature controls
- Automatic flushing for prevention of water-borne bacteria. Cycles completely adjustable with the miscea remote control (sold separately)

## INCLUDED

- miscea **CLASSIC** Faucet
- Waterbox
- Soapbox
- 2 x 1 L miscea Liquids
- Stainless steel braided hoses for hot and cold water connections (850 mm)
- Power plug (Cable length 1800 mm)
- 1 x Installation kit
- 1 x Instruction manual

## SPECIFICATIONS

Voltage	24 V <sub>DC</sub>
Input voltage	100 ~ 240 V <sub>AC</sub> / 50 - 60 Hz
Operating pressure	0,5 - 8 bar
Max. water temp	70 °C
IP rating of PCB	IP 55

## FINISH OPTIONS:



Stainless Steel

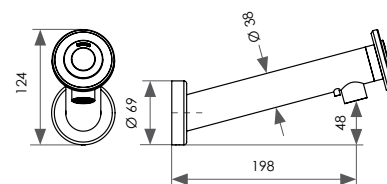
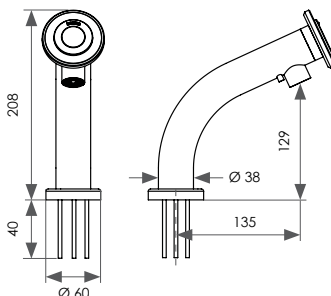
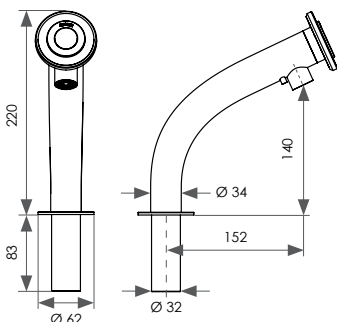


Polished Chrome



## CERTIFICATE:

All measurements are in mm  
\*Available in stainless steel only.



MODEL:



**CLASSIC Standard**

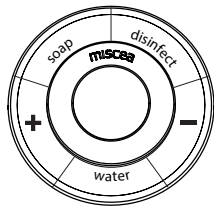
**\*CLASSIC Small**

**CLASSIC Wall**



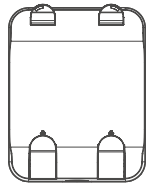
# PRODUCT INFORMATION: MISCEA CLASSIC

FINISH OPTIONS	MODEL			SOAPBOX TYPE		DISPLAY	ART. NR.
	Standard	Small	Wall	Pouch	Bottle		
 Stainless Steel	✓			✓		✓	CER1S1NCEN
	✓				✓	✓	CER1S2NCEN
		✓		✓		✓	CER2S1NCEN
		✓			✓	✓	CER2S2NCEN
			✓	✓	✓	✓	CER3S1NCEN
			✓		✓	✓	CER3S2NCEN
 Polished chrome	✓			✓		✓	CCR1S1NCEN
	✓				✓	✓	CCR1S2NCEN
			✓	✓		✓	CCR3S1NCEN
			✓		✓	✓	CCR3S2NCEN



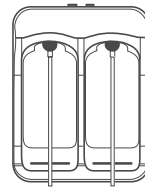
DISPLAY:

ENGLISH (EN)



SOAPBOX TYPE:

FOR POUCHES



FOR BOTTLES

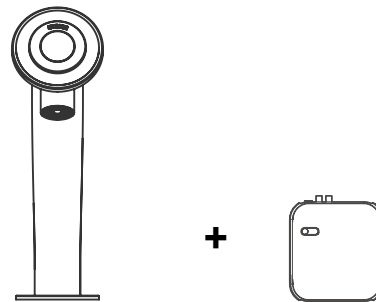
PRODUCT INFORMATION: **MISCEA CLASSIC PURE**



# EXPERIENCE THE MISCEA CLASSIC PURE SYSTEM

## MISCEA CLASSIC PURE W: WATER + WATER TEMPERATURE CONTROL

The miscea CLASSIC pure W system enables completely touch free operation of the water sector and water temperature adjustments. This faucet model allows users to manually turn the water on and off by activating and deactivating the top sector as they please. Alternatively, this faucet model can also be used as an automatic sensor faucet if the bottom sector is activated. The components for this system consists of the miscea CLASSIC pure W faucet and a waterbox.

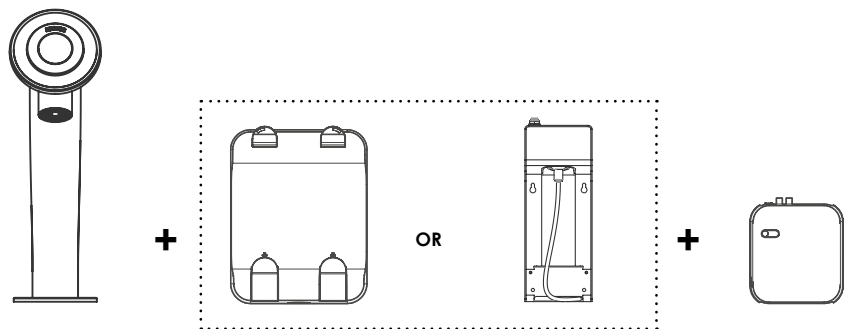


MISCEA CLASSIC PURE W FAUCET

WATERBOX

## MISCEA CLASSIC PURE S: WATER + WATER TEMPERATURE CONTROL + SOAP

The miscea CLASSIC pure S system is essentially an automatic sensor faucet that also has an integrated soap dispenser. It consists of the miscea CLASSIC pure sensor faucet, a soapbox and a waterbox. This system can be used with vacuum sealed pouches or with standardized 1 L Euro bottle.



MISCEA CLASSIC PURE S FAUCET

SOAPBOX FOR POUCHES

OR

SOAPBOX FOR BOTTLE

WATERBOX

# PRODUCT INFORMATION: MISCEA CLASSIC PURE



## DESCRIPTION

Sensor faucet with touch free water temperature controls. Available versions include:

- CLASSIC pure W - water only
- CLASSIC pure S - incl. integrated soap dispenser

## FEATURES

- Electronic water faucet
- Faucet user interface made of high quality laser engraved glass
- Clear display for water temperature feedback
- Touch free water temperature controls
- Automatic flushing for prevention of water-borne bacteria. Cycles completely adjustable with the miscea remote control (sold separately)

## INCLUDED

- miscea **CLASSIC** pure W or S faucet
- Waterbox
- Soapbox (only for version CLASSIC pure S)
- 2 x 1 L miscea Liquids
- Stainless steel braided hoses for hot and cold water connections (850 mm)
- Power plug (Cable length 1800 mm)
- 1 x Installation kit, 1 x Instruction manual

## SPECIFICATIONS

Voltage	24 V <sub>DC</sub>
Input voltage	100 ~ 240 V <sub>AC</sub> / 50 - 60 Hz
Operating pressure	0,5 - 8 bar
Max. water temp	70 °C
IP rating of PCB	IP 55

## FINISH OPTIONS:



Stainless Steel

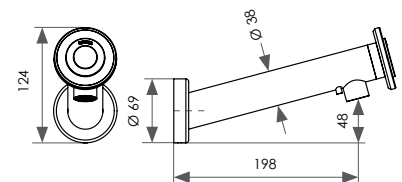
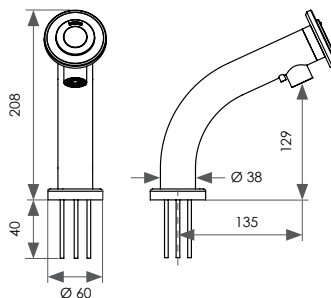
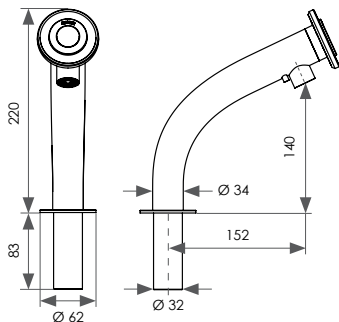


Polished Chrome

## CERTIFICATE:



All measurements are in mm  
\*Available in stainless steel only.



MODEL:

CLASSIC Standard

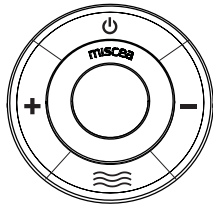
\*CLASSIC Small

CLASSIC Wall

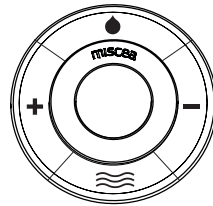
# PRODUCT INFORMATION: MISCEA CLASSIC PURE

FINISH OPTIONS	MODEL			SOAPBOX TYPE			ART. NR.
	Standard	Small	Wall	None	Pouches	Bottle	
Stainless Steel	✓			✓			CER1NC
	✓				✓		CER1S1NC
	✓					✓	CER1S2NC
		✓		✓			CER2NC
		✓			✓		CER2S1NC
		✓				✓	CER2S2NC
			✓	✓	✓		CER3NC
			✓		✓		CER3S1NC
			✓			✓	CER3S2NC
Polished Chrome	✓				✓		CCR1NC
	✓				✓		CCR1S1NC
	✓					✓	CCR1S2NC
			✓				CCR3NC
			✓		✓		CCR3S1NC
			✓			✓	CCR3S2NC

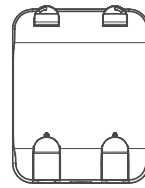
Prices are exclusive of VAT, and shipping costs



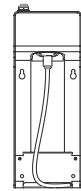
**DISPLAY:** CLASSIC PURE W - WATER ONLY



CLASSIC PURE S - WATER AND SOAP



**SOAPBOX TYPE:** FOR POUCH



FOR BOTTLES



EXPERIENCE THE  
**EXCEPTIONAL**  
**MISCEA KITCHEN**  
**SYSTEM**

## THE PERFECT AND HYGIENIC SOLUTION

miscea KITCHEN is a water faucet with two integrated dispensers for soap and disinfectant. The functional sectors for water, soap, disinfectant and adjustment of water temperature on the user interface can all be activated and de-activated completely touch free. A unique feature of the miscea KITCHEN system is that water can be turned on and off by activating and de-activating the water sector on the glass user interface. As a result, the user can control how long the water flows depending on the task at hand.

This system is especially suitable for hygiene sensitive areas such as treatment rooms or sterilisation rooms in dental practices, hospitals, laboratories and other similar locations.

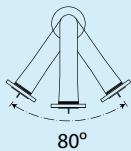
The following are just some of the unique features that make the miscea KITCHEN system the perfect solution for hygiene sensitive applications:

### SWIVEL SPOUT WITH ROTATION ANGLE OF 80° OR 120°

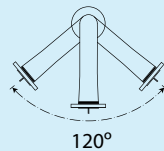
The added feature of a swivel spout on the miscea KITCHEN faucet means it can be used over wide or double wash basins so dispensing of liquid products is not fixed to one spot. It gives users more freedom to move the faucet so it can be accessed from different angles.

This swivel spout feature is unique to the miscea KITCHEN model within the miscea range of sensor faucet systems.

80° rotation angle



120° rotation angle



### COMPATIBLE WITH VACUUM POUCHES AND BOTTLES

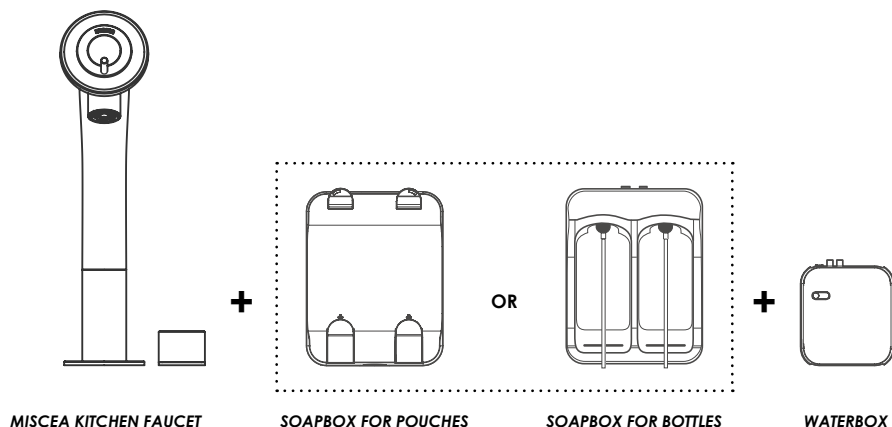
The miscea KITCHEN is compatible with liquid products in miscea vacuum sealed pouches or with standardized 1 L Euro bottles.

### OPTIMAL HYGIENE AND CLEANLINESS

One of the unique advantages with all miscea systems is that liquid products are dispensed over the wash basin. This means unhygienic or damaged work surfaces caused by dripping or splashing from conventional wall dispensers are no longer an issue.

## SYSTEM COMPONENTS

The miscea KITCHEN system consists of the KITCHEN sensor faucet, the waterbox and the soapbox. This system can be used with vacuum sealed pouches or with standardized 1 L Euro bottles. A hand operated water flow regulator is optionally available for adjusting the amount of water flow.



# PRODUCT INFORMATION: MISCEA KITCHEN



## DESCRIPTION

Sensor faucet with integrated soap and disinfectant dispensers and touch free water temperature controls.

## FEATURES

- Electronic faucet with 2 selectable liquid options
- Faucet user interface made of high quality laser engraved glass
- Clear display for water temperature feedback
- Touch free water temperature controls
- Automatic flushing for prevention of water-borne bacteria. Cycles completely adjustable with the miscea remote control (sold separately)
- Optional water flow regulator to increase / decrease the water flow

## INCLUDED

- miscea **KITCHEN** Faucet
- Waterbox
- Soapbox
- 2 x 1 L miscea Liquids
- Stainless steel braided hoses for hot and cold water connections (Length 850 mm)
- Power plug (Cable length 1800 mm)
- 1 x Installation kit
- 1 x Instruction manual

## SPECIFICATIONS

Voltage	24 V <sub>DC</sub>
Input voltage	100 ~ 240 V <sub>AC</sub> / 50 - 60 Hz
Operating pressure	0,5 - 8 bar
Max. water temp	70 °C
IP rating of PCB	IP 55

## FINISH OPTIONS:

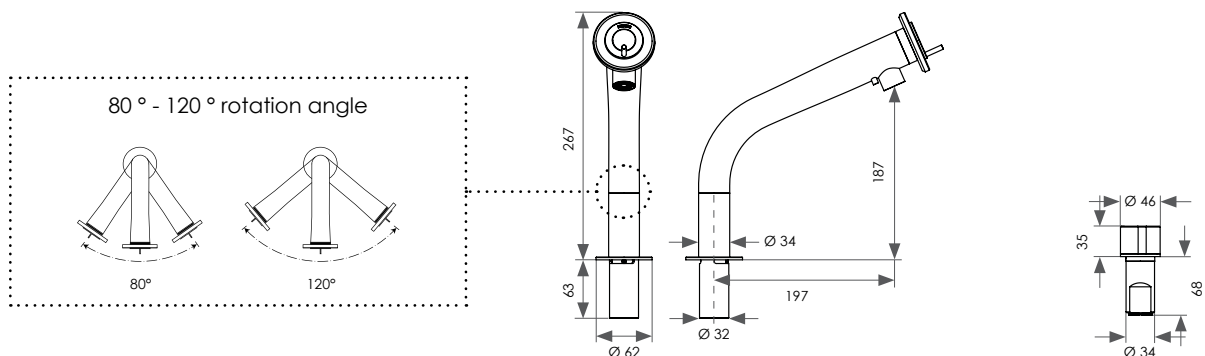


Polished chrome

## CERTIFICATES:



All measurements are in mm




## MODEL / ACCESSORIES:

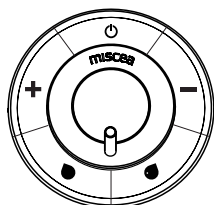
**Standard**

**Water flow regulator**



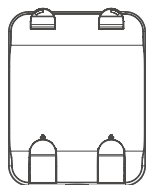
# PRODUCT INFORMATION: MISCEA KITCHEN

FINISH OPTIONS	MODEL	SOAPBOX TYPE		ACCESSORIES	ART. NR.
		Pouch	Bottle		
	Standard			Water flow regulator	
 Polished chrome	✓	✓		✓	KCR4S1NC
	✓		✓	✓	KCR4S2NC
	✓	✓			KCR4S1NC0
	✓		✓		KCR4S2NC0

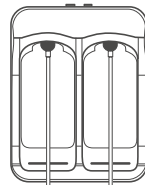


DISPLAY:

SYMBOLS



FOR POUCHES



FOR BOTTLES

SOAPBOX TYPE:

PRODUCT INFORMATION: MISCEA LIGHT



# EXPERIENCE THE MISCEA LIGHT “2-IN-1”-SYSTEM

## IMPROVE AMBIENCE AND HAND WASHING EXPERIENCE IN GUEST WASH-ROOMS

The miscea LIGHT system has a 2 L soap dispenser built directly into the faucet for convenience and comfort. With fast and reliable sensor activation, the miscea LIGHT dispenses soap and water with precision and makes hand washing a hygienic and enjoyable experience.

Where high standards of cleanliness and hygiene are expected, the miscea LIGHT is the most cost-effective, touch free faucet and dispenser system to fulfil even the most demanding requirements. The system is best suited to environments where changing the water temperature is not required.

## SYSTEM COMPONENTS

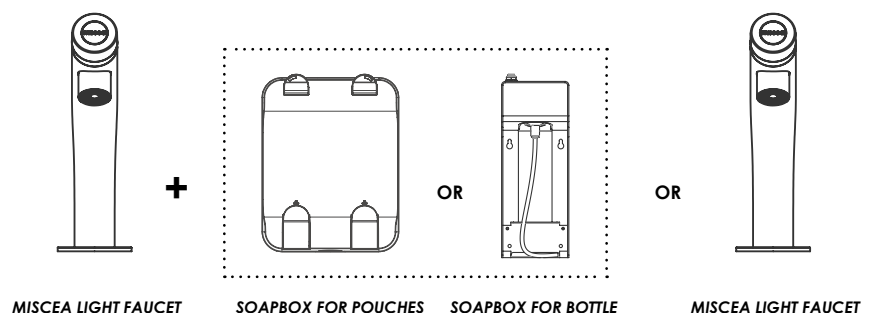
The miscea LIGHT system is available in two versions.

### 1. MISCEA LIGHT SENSOR FAUCET WITH INTEGRATED SOAP DISPENSER

This miscea LIGHT model consists of the LIGHT sensor faucet and soapbox for use with pouches or with bottle.

### 2. MISCEA LIGHT SENSOR FAUCET WITHOUT INTEGRATED SOAP DISPENSER

This miscea LIGHT model consists only of the LIGHT sensor faucet.



# PRODUCT INFORMATION: MISCEA LIGHT



## DESCRIPTION

Sensor faucet available with and without integrated soap dispenser.

## FEATURES

- Electronic faucet
- User interface made of robust Makrolon polycarbonate
- Automatic flushing for prevention of water-borne bacteria. Cycles completely adjustable with the miscea remote control (sold separately)
- Electronics and solenoid valve integrated into faucet

## INCLUDED

- miscea **LIGHT** Faucet
- Soapbox (included only for version with integrated soap dispenser)
- 2 x 1 L miscea Liquids
- Stainless steel braided hose for the water connection (850 mm)
- Power plug (Cable length 1800 mm)
- 1 x Installation kit
- 1 x Instruction manual

## SPECIFICATIONS

Voltage	12 V <sub>DC</sub>
Input voltage	100 ~ 240 V <sub>AC</sub> / 50 - 60 Hz
Operating pressure	0,5 - 8 bar
Max. Water temp	70 °C
IP rating of PCB	IP 55

## FINISH OPTIONS:



Stainless steel

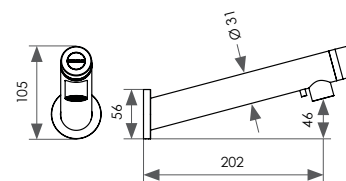
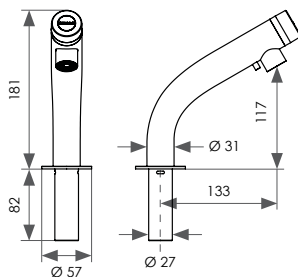


Polished chrome

## CERTIFICATES:



All measurements are in mm



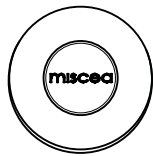
## MODEL:

**LIGHT Standard**

**LIGHT Wall**

# PRODUCT INFORMATION: MISCEA LIGHT

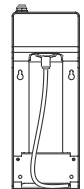
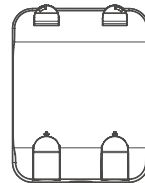
FINISH OPTIONS	MODEL		SOAPBOX TYPE			DISPLAY	ART. NR.
	Standard	Wall	Excl. Soapbox	Pouch	Bottle	EN	
Stainless Steel	✓		✓				LER1S0NC
	✓			✓		✓	LER1S11NCEN
	✓				✓	✓	LER1S21NCEN
Polished Chrome	✓		✓				LCR1S0NC
	✓			✓		✓	LCR1S11NCEN
	✓				✓	✓	LCR1S21NCEN
		✓					LCR3S0NC
		✓		✓		✓	LCR3S11NCEN
		✓		✓	✓	LCR3S21NCEN	



DISPLAY:

NO DISPLAY

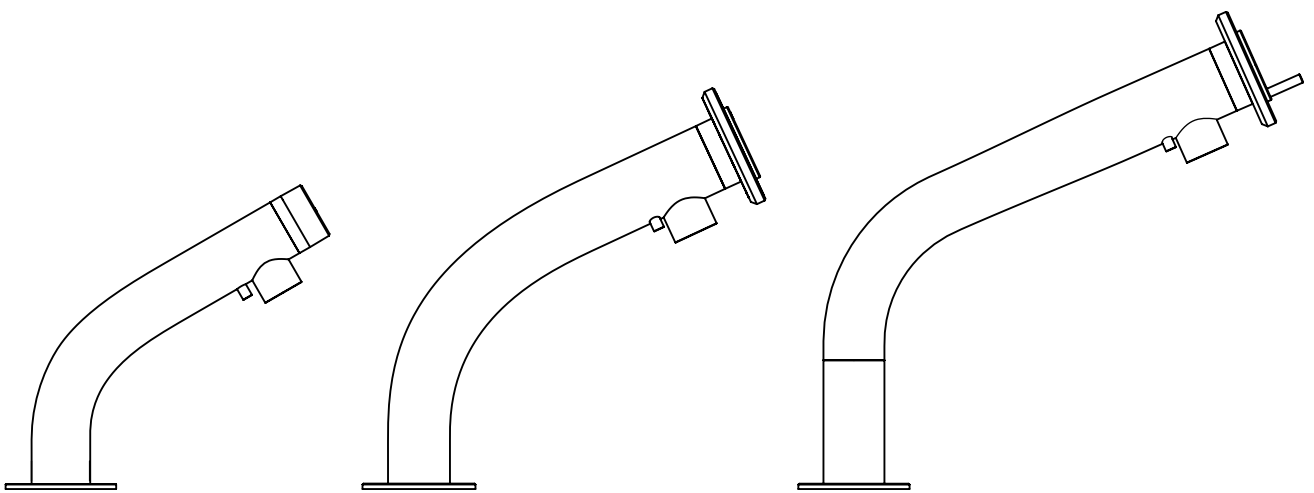
ENGLISH (EN)



SOAPBOX TYPE:

FOR POUCHES

FOR BOTTLE



# LIQUID REFILLS / ACCESSORIES

# PRODUCT INFORMATION: LIQUID REFILLS



## MISCEA SEPTASOL: HAND DISINFECTANT

### DESCRIPTION:

For hygienic and surgical hand disinfection.

- Alcoholic disinfectant for hand disinfection
- Perfume-free
- Good skin compatibility

### APPLICATION AREAS:

- Hygienic hand disinfection acc. VAH/DGHM/EN 1500
- Surgical hand disinfection acc. VAH/DGHM/EN 12791

### INSTRUCTIONS FOR USE:

For hygienic hand disinfection, rub hands together with the solution and keep moist for 30 seconds. For surgical hand disinfection, the hands and forearms are rubbed with the solution and kept moist for 1.5 minutes.

REFILL TYPE	QUANTITY	ART. NR.
Pouch	6 x 1 L	S01043001
Bottle	6 x 1 L	S01044001



## MISCEA ETHADES: HAND DISINFECTANT (FOR BENELUX REGION)

### DESCRIPTION:

For hygienic and surgical hand disinfection according to EN 1500 and EN 12791 in health-care facilities, laboratories, and other hygiene sensitive environments.

- Very good skin tolerability
- Color free and fragrance free

### INSTRUCTIONS FOR USE:

For hygienic hand disinfection, rub hands together with the solution and keep moist for 30 seconds. For surgical hand disinfection, the hands and forearms are rubbed with the solution and kept moist for 1.5 minutes.

REFILL TYPE	QUANTITY	ART. NR.
Pouch	6 x 1 L	S01040001
Bottle	6 x 1 L	S01046001



# PRODUCT INFORMATION: LIQUID REFILLS



## MISCEA ECOSOAP: HAND WASH SOAP

### DESCRIPTION:

Ecological, skin friendly, pleasantly scented liquid hand soap. miscea Eco Soap is enriched with skin protectors and has moisturizing properties which make miscea Eco Soap mild for the skin. miscea Eco Soap lathers into a light foam and can save up to 70% soap compared to conventional liquid hand soaps.

- Color free and pleasantly scented soap, pH skin neutral, biodegradable
- Minimal impact on the aquatic ecosystems

### INSTRUCTIONS FOR USE:

Apply miscea ECOSOAP onto wet hands and lather into foam. Thoroughly massage into hands and then rinse under running water.



REFILL TYPE	QUANTITY	ART. NR.
Pouch	6 x 1 L	S01047001
Bottle	6 x 1 L	S01048001



## MISCEA TUBE CLEANSE ACC. EN ISO 17664: PREPARATION SOLUTION FOR DISPENSER SYSTEM

### DESCRIPTION:

miscea TubeCleanse is a ready-to-use cleaning solution for treating the soap and disinfectant tubes.

- Biodegradable, free of alcohol, phenols, aldehyde and quaternary ammonium compounds
- Good cleaning performance
- Natural detergents based on acids

### INSTRUCTIONS FOR USE:

miscea TubeCleanse has been developed for the efficient cleaning and disinfection of miscea soap and disinfectant tubes and for the removal of biofilm and calcium deposits. The ready-to-use, treatment solution is pumped through the soap and disinfectant tubes as part of the liquid changing process. The exposure time for miscea TubeCleanse is 5 minutes.

### IMPORTANT INFORMATION

**The WHO recommends: "Dispensers must be thoroughly cleaned or disinfected before each liquid product change"**

REFILL TYPE	QUANTITY	ART. NR.
Pouch	1 x 1 L	S01049001
Bottle	1 x 1 L	S01050001

# PRODUCT INFORMATION: ACCESSORIES



## MISCEA SYSTEMCARE SET

### DESCRIPTION:

The miscea SystemCare set contains a combination of professional products designed to help keep miscea sensor faucet systems in top condition for reliable and uninterrupted performance. This set is available for both Pouch and Bottle refill systems. Each miscea SystemCare Set includes the following:

- 1 L miscea Tube Cleanse Solution
- 1 x miscea remote control
- 1 x Perlator + key
- 1 x high quality micro fibre cloth
- 1 x miscea Foam Glove
- 1 pc. Self-holding plastic container for de-calcifying the water outlet
- 2 pc. Mini brushes for internal cleaning of the soap and disinfectant outlets

DESCRIPTION	ART. NR.
miscea SystemCare Set for use with Pouches	S02056001
miscea SystemCare Set for use with Bottles	S02057001



## LIQUID CONTAINER FOR DRAWS (SOAPBOX BOTTLE)

0,4 L

DESCRIPTION	ART. NR.
0,4 L liquid container for draws (Soapbox for bottle)	S02070001



## MISCEA WATER FLOW REGULATOR

### DESCRIPTION:

Easily adjust the water flow of your miscea system. With the miscea water flow regulator, you can adjust the desired water quantity of your miscea faucet. Compatible with the miscea CLASSIC and miscea KITCHEN systems.

Dimensions	Value
Ø (mm)	46
H (mm)	35
Connection Ø (mm)	8
Weight (g)	708
Standard installation dimensions (mm)	35

DESCRIPTION	ART. NR.
miscea Water flow regulator (Polished chrome)	S02004001

# PRODUCT INFORMATION: ACCESSORIES



## MISCEA REMOTE CONTROL

### DESCRIPTION:

The miscea Remote Control allows a number of settings on miscea sensor faucet systems to be adjusted. The full list of functions that can be adjusted is shown in the overview below.

### SPECIFICATIONS

Weight	43 g
Battery Type	CR 2032
L x B x H	150 x 60 x 10 mm
Color	White with grey accents

FUNCTION / MODEL	CLASSIC	LIGHT	KITCHEN
Starting water temperature	✓	✗	✓
Water shut off delay time	✓	✓	✓
Dosage amount for liquids	✓	✓	✓
Water temperature memory time	✓	✗	✓
Duration of continuous water flow mode	✓	✓	✓
Duration of spool cycles	✓	✓	✓
Duration between spool cycles	✓	✓	✓
Light display and beep tone settings	✓	✓	✓
On / Off	✓	✓	✓

DESCRIPTION	ART. NR.
miscea Remote Control	S02002001

## PERLATOR SET

### DESCRIPTION:

This kit includes 5 x cache aerators and 1 x installation key.



DESCRIPTION	ART. NR.
Perlator set Cache (CLASSIC/LIGHT) - Red	S02015001
Perlator set Cache (KITCHEN) - Blue	S02022001

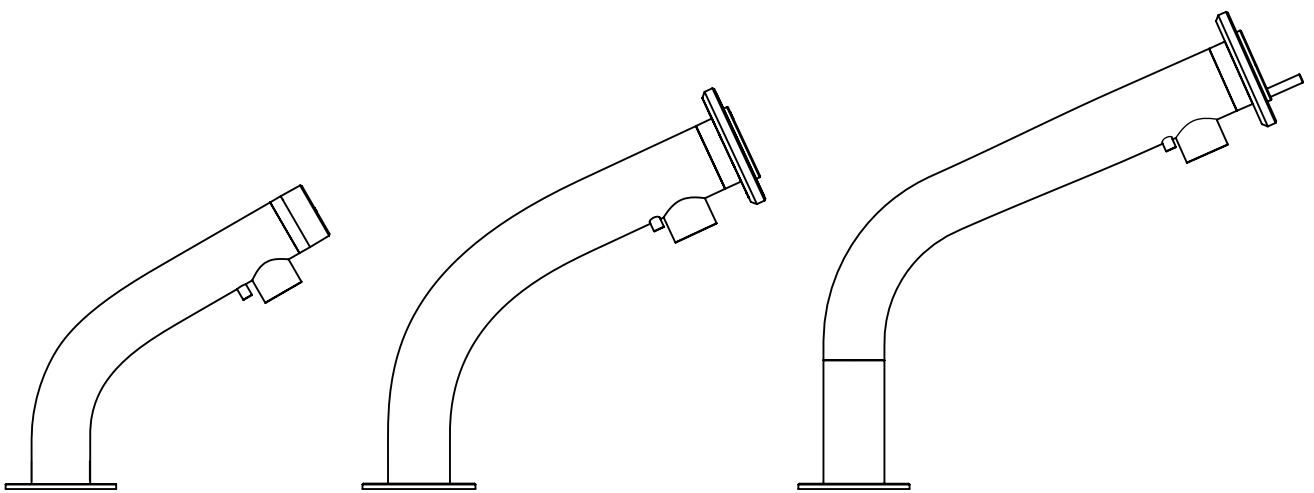
## GROHTHERM MICRO THERMOSTAT

### DESCRIPTION:

Thermostatic mixers are designed for hot water supply via pressurized storage heater and utilized in this way provide the best temperature accuracy. With sufficient power (from 18 kW to 250 kcal/min) electric or gas instantaneous heaters are also suitable. Safe limitation of max. outlet temperature via preset thermostats on every standard wash basin mixer (thermal scalding protection). Thermostat mixers cannot be used in conjunction with low-pressure storage heaters (displacement water heaters). Connection hose included.



DESCRIPTION	ART. NR.
Grotherm Micro Thermostat	S02039001



# SYSTEM COMPONENTS / **SERVICE**

# PRODUCT INFORMATION: SOAPBOX

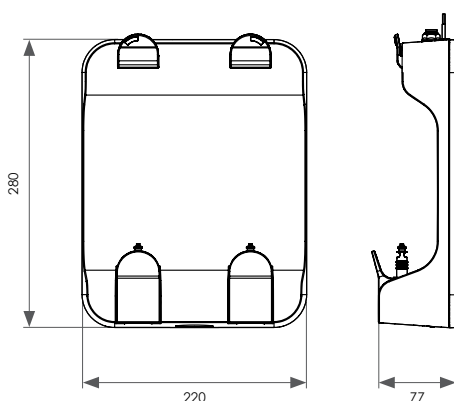


## SOAPBOX

### DESCRIPTION: SOAPBOX FOR POUCHES

The soapbox for use with 1 L vacuum pouches contain peristaltic pumps for the exact dosing of liquids. This component has a smooth, easy to clean outer surface and 2 closures that secure the vacuum pouches in place.

This soapbox in combination with the vacuum sealed pouches, ensures the quality of the liquid products does not diminish over time as it is not exposed to external contaminants.

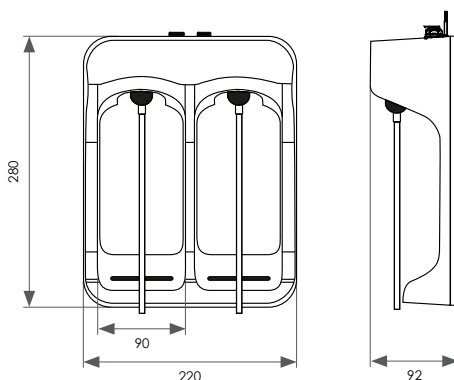


All measurements are in mm



### DESCRIPTION: SOAPBOX FOR BOTTLES

The soapbox for use with 1 L Euro bottles contains peristaltic pumps for exact dosing of liquids products. This component has a smooth, easy-to-clean outer surface.



All measurements are in mm

**PLEASE NOTE: miscea recommends Euro bottles to not be refilled because refilling liquid hand hygiene products in existing containers has been proven in many studies as a cause of contamination associated with outbreaks.**

Source: „HÄNDEHYGIENE IN EINRICHTUNGEN DES GESUNDHEITSWESENS“. In: Bundesgesundheitsblatt - Gesundheitsforschung - Gesundheitsschutz. Stand September 2016. [https://www.rki.de/DE/Content/Infekt/Krankenhaushygiene/Kommission/Downloads/Haendehyg\\_Riil.pdf?\\_\\_blob=publicationFile](https://www.rki.de/DE/Content/Infekt/Krankenhaushygiene/Kommission/Downloads/Haendehyg_Riil.pdf?__blob=publicationFile) (Visited on 02.12.2017)

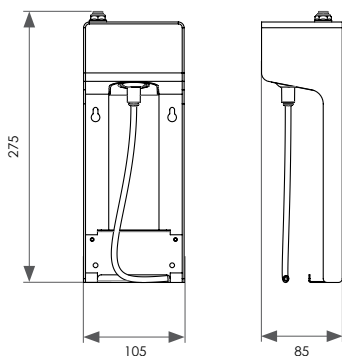
DESCRIPTION	ART. NR.
Soapbox for Pouches (CLASSIC, KITCHEN)	S05077001
Soapbox for Pouches (LIGHT)	S05079001
Soapbox for Bottles (CLASSIC, KITCHEN)	S05078001

# PRODUCT INFORMATION: SOAPBOX / WATERBOX



## SOAPBOX FOR BOTTLE

The new stainless steel miscea soapbox for bottle is compatible with 1 L Euro bottles.



All measurements are in mm

DESCRIPTION	ART. NR.
Soapbox for bottle (LIGHT, CLASSIC PURE S)	S05084001



## WATERBOX

### DESCRIPTION:

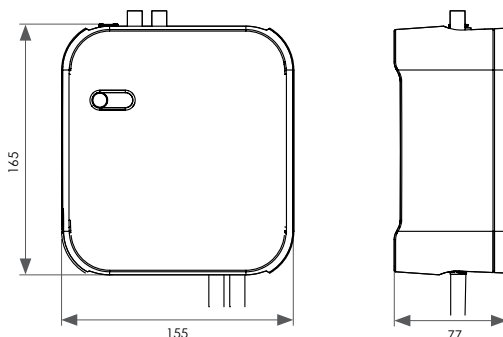
The miscea water box contains a number of important electronic components for the smooth functioning of the miscea CLASSIC and KITCHEN models. It contains a powerful yet low power consuming solenoid valve. In addition, a maintenance-free cartridge and a digital brushless motor allow for the perfect water temperature adjustments.

### FEATURES

- Blue LED button to initiate priming mode
- Has smooth glossy finish for easy cleaning
- Quick and easy installation and assembly

### SPECIFICATIONS

Cable length	1200 mm
Color	white with grey components



All measurements are in mm



### CERTIFICATES:

DESCRIPTION	ART. NR.
Waterbox (CLASSIC / KITCHEN)	S05022001





# MISCEA SERVICE

At miscea we believe that premium quality does not end with the product offered. Therefore, miscea has a dedicated team of service professionals committed to every questions or problem.

## **CALL OUT COST** **ART. NR.**

---

Flat rate fee for a miscea service technician to travel to appointment location.	S04001001
--	-----------

## **DE-INSTALLATION** **ART. NR.**

---

Removal of existing faucet.	S04002001
-----------------------------	-----------

## **INSTALLATION** **ART. NR.**

---

Installation of miscea faucet and set up for use.	per unit	S04003001
---	----------	-----------

## **SERVICE COSTS** **ART. NR.**

---

Hourly rate of miscea Service Technician.	per hour	S04004001
---	----------	-----------

# COMPANY PROFILE

**COMPANY** miscea GmbH

**HEADQUARTERS** Großbeeren, Germany

**YEAR FOUNDED** 2003

**LOCATIONS** The Netherlands  
Switzerland

**NR. OF EMPLOYEES** 30

**DESCRIPTION** miscea GmbH is a German manufacturer of high quality sensor faucet systems with integrated dispensers. The company is head-quartered in Großbeeren, Germany where it currently employs a team of 30 employees for research and development, production, service, administration, marketing and sales.

The miscea management team work closely with these functional areas of the business both in Großbeeren and in other miscea office locations in the Netherlands and Switzerland.

**REFERENCE PROJECTS** miscea was able to assist many well known companies realize major projects in over 12 countries with its high-quality sensor faucet systems. Below are just some of the projects where miscea systems have been installed and continue to be used today.

- HanseMerkur (Insurance Group, Germany)
- EDEKA (Supermarket Group, Germany)
- Hoffmann La Roche (Pharmaceutical Company, Switzerland)
- Schulthess Clinic (Medical Clinic, Switzerland)
- VU University Medical Centre (University Medical Centre, The Netherlands)
- Teva Pharmachie (Pharmaceutical Company, The Netherlands)
- JPMorgan Chase Bank (Banking institution, Belgium)





