

Showers & Washroom Solutions

Commercial & Public Facilities



	Introduction	1
Water management	CNX Water Management System Service APP	22
Shower solutions	Showers electronic/mechanical	54
	Accessories for shower faucets	150
	Shower heads	176
	Spa & wellness	188
	Thermostat batteries	206
Washroom solutions	Lavatory faucets electronic/mechanical/design	214
	Kitchen faucet	329
	Urinal flush valves	334
	Accessories for faucets & urinal flush valves	349
	Sanitary equipment	362
	Washbasin solutions	444
Hygiene solutions	Disinfectants Drinking water/surface/room air/swimming pool filters	446
Information	GTC	464



22



54



216

Introduction..... 1

WATER MANAGEMENT

CNX Water Management System 22
BLE Converter for Service APP 35

SHOWER SOLUTIONS

Showers – Descriptions 40
Functional options..... 50

Showers electronic

Shower panels 54
Concealed showers 74
Exposed shower faucets 106
Freestanding shower 110

Showers mechanical

Shower panels 118
Concealed showers 126
Exposed showers 144

Accessories for shower faucets

Raw-assembling sets, cables etc. 150

Shower heads

Jet shower heads..... 176
Rain shower heads 180
Shower head kits 182
Hand shower set 184
Wall elbow..... 184
Wall duct 185
Adapter..... 185

Spa & Wellness

Rain/spiked shower heads 188
Spray/jet shower heads 194
Waterfall shower head 195
Ball-type nozzle 195
Shower arms 196
Waterfall Bucket showers 198
Power shower sets 199
Shower sets for Kneipp’s affusion.... 201

Thermostat batteries

Thermostat batteries exposed 206
Thermostatic mixing valve 208

WASHROOM SOLUTIONS

Faucets electronic

Functional options 214

Touchless lavatory faucets

ultra..... 216
lino 229
lumino 235
iQ 240
loopino 243
maxx 246
umaxx 248
ran 250
Senso..... 255

Self-closing lavatory faucets

tipolino 256

Concealed wall-mounted faucets

CONGENIAL FIT 258
ultra..... 276
lino 279
iQ 282

Exposed wall-mounted faucets

CONBASE 284
lino 298

Multiple washing systems

CONGENIAL..... 294
lino 299

Faucets mechanical

Lavatory and wall-mounted faucets

lino SofTouch..... 302
CONWASH 306
CONMED 309

Thermostatic mixing valve 311

Design series PUR

Lavatory/shower faucets 314



Kitchen faucet

Hybrid kitchen faucet H10 329

Urinal flush valves

Functional options 332

Concealed urinal flush valves

ultra 334

iQ 336

lino 338

Siphon regulator 341

Exposed urinal flush valves

lino 343

Retrofitting set 345

Accessories for faucets and urinal flush valves

Power supplies, connectors etc. 349

Sanitary equipment

Design series SteelTec

Hand dryers 362

Paper towel dispensers 363

Soap dispensers 364

Toilet paper holders 366

Hygiene/waste bins 368

Diaper changing tables 370

Paper roll holders/paper 372

Design series BJÖRK

Hand dryers 373

Paper dispenser 383

Soap dispensers 375

Floor/Table stands 377

Hygiene/waste bins 380

Diaper changing tables 382

Paper towel dispensers/paper 383

Toilet paper holders 384

Design series TAP

Hand dryers 385

Soap dispensers 386

Stainless steel equipment

Hand and hair dryers 387

Hygiene/waste bins 392

Paper towel dispensers 394

Hygienic bag dispensers 395

Diaper changing table 396

Soap dispensers 397

Toilet accessories 404

Wall mirrors 407

Consumable supplies 408

Washbasins 410

Built-in washbasins 419

Drinking fountain 420

Wash troughs 421

Laboratory sinks 424

Bucket sinks 425

Universal drain valve 427

Urinal partition wall 428

Urinals 429

Squat toilet 430

Wall-mounted toilets 431

Washbasin solutions

Square washbasins

Washbasins mineral cast gelcoat 434

Additional charges 438

Countertop washbasin set

Countertop washbasin set 440

Self-supporting siphon 441

Disinfection solution

Drinking water disinfection 446

Surface disinfection 447

Room disinfection 449

Swimming pool filter disinfection 451

Dosing systems

Pump and tank sets 452

Connection sets 453

Mobility equipment 454

Accessories

Flushing units 457


Fogging devices 458

Redox measuring instruments 459

Drinking water hygiene test 461

Information

GTC 464



"IF YOU ALWAYS DO
WHAT YOU'VE ALWAYS DONE,
YOU'LL ALWAYS GET
WHAT YOU'VE ALWAYS GOT"

Henry Ford

Concepts and solutions

For resource-saving, hygienic and safe shower and washrooms using innovative products

The CONTI+ brand will continue undergoing further development throughout 2020, with both innovative products and intelligent system solutions for shower and washrooms of all types. This field of expertise is supported by additional services for customer and object-specific tasks.

The skills of CONTI+ as a concept and solutions provider rest on decades of tradition in developing, producing and operating qualitative, top-end and application-optimised sanitary faucets. These are continuously adapted to the changing and growing requirements of both customers and legislation. The CONTI+ portfolio not only includes modern electronic and mechanical faucets for washbasin, shower and urinals – it has also been deliberately extended with systems and products that allow complete solutions for sustainable, hygienic, safe washrooms.

The sustainability of CONTI+ products with regard to water and energy savings has been a proven and recognised brand feature for several years. CONTI+ has always been a pioneer in the use of alternative energies such as solar or water to support equipment operation, and the use of energy efficient technologies remains at the centre of the continuing product development.

Over recent years, international hygiene requirements for public, semi-public and commercial applications have become ever more stringent. CONTI+ has developed a hygiene concept for these tasks and has created a number of innovations and investments.

The modular CONTI+ hygiene concept includes the intelligent, innovative CNX Water Management System. This allows simple, clear management of up to 150 showers, washbasin and urinal faucets to ensure both implementation and documentation of all hygiene functions and operational actions.

Alongside the modern Water Management System, the CONTI+ hygiene concept encompasses disinfection, cleaning and filter solutions for drinking water, room and surface hygiene; microbiological rehabilitation of drinking water systems to lift prohibitions on use, hygienic installation using disinfection of tools, surfaces and components as well as improvement of room cleanliness using cold air nebulisation of disinfectants.

We go into the detail of this coordinated hygiene concept during intensive consultations with our customers. Project implementation and supervision is supported by our wide range of services such as commissioning, maintenance and hygiene service along with customer service work.

The CONTI+ WET Academy was founded specifically to share specialist knowledge on valve technology, hygiene and safety, as well as the use of suitable products and solutions to our customers and partners. The training and consulting services are carried out on-site at the facilities or at the training centre in Wettenberg.

The CONTI+ range has been deliberately extended with an emphasis on holistic concepts and solutions. Rather than combining individual products, we used a complete range from showers, washbasin and urinal taps, to hand and hair dryers, soap and disinfectant dispensers, waste and hygiene containers, changing tables and toilet equipment. This range is extended by washstands in customised and fixed solutions to meet specific needs, especially for barrier-free requirements. With all these enhancements, special attention has been paid to robustness, security against vandalism and unwanted injuries, as well as the best-suited functionalities.

CONTI+ stands for integrated solutions and product ranges for new construction and renovation, for public, semi-public, commercial and industrial sanitary rooms with a demand for high quality and attractive design.



Andreas Kregler
CEO





CONTI+ CNX Water Management System

Commercial and public facilities

Robust, hygienic, durable, reliable, economic

Demands

In busy public showers and washrooms or in demanding commercial facilities, the requirements for sanitary equipment are particularly high when it comes to robustness, durability, simple operation and safe functioning.

Saving water and energy, along with reducing maintenance and operating costs, are common requirements today. Meanwhile, meeting the highest hygiene requirements in both the commercial and public sectors is of crucial importance. In this respect, the drinking water installation as a whole must be taken into account, from the water supply line through to the water distribution and the water delivery point. Varied, specialised products and solutions are required in order to comply with legal guidelines relating to ensuring impeccable water quality, depending on the location and purpose of use. Higher-level intelligent control, monitoring and logging of sanitary facilities in showers and washrooms is becoming increasingly important.

Comprehensive CONTI+ system, concept and solution portfolio

With the shower and washroom, the hygiene concept from CONTI+ offers additional services when it comes to the hygienic requirements of a drinking water installation.

- Shower systems in surface mounted and concealed versions with a hygienic flushing function and thermal disinfection along with integration into the CNX Water Management System
- Shower heads, shower sets, Kneipp equipment
- Touch-free wash basin faucets in surface mounted and wall mounted versions with hygienic flush function
- Self-closing valves with running time limitation
- Single and multiple washbasins as well as barrier-free washbasins in standard dimensions or made to measure
- Sanitary equipment, such as soap dispensers, hand dryers, paper towel dispensers, WC equipment
- Urinal faucets for flushing all common urinals
- CNX Water Management System for managing, configuring, operating and logging devices via tablets, PCs and smartphones
- Dosing systems and special disinfectants for prevention, operation and renovation of sanitary facilities
- Terminal filters (ultrafiltration) for safe prevention of contamination (e.g. legionella) of drinking water

Swimming and leisure pools



© Daniel Vietser

Sports facilities and stadiums



Public institutions and education



Traffic and service areas



Semi-public and private facilities

Design-oriented, hygienic, user friendly, reliable

Demands

Aesthetics in both semi-public and private institutions form a crucial component and calling card. The demand for a successful blend of form and function is high, and creates a challenge for operators and owners alike. Simple and safe functions, as well as low costs over the entire life cycle, are also essential requirements in semi-public facilities. The hygiene requirements and legal standards are largely identical to those in the public sector and in this respect smart control, monitoring and logging of shower and washrooms play an increasingly important role. Low installation costs and keeping maintenance and operating costs to a minimum are also of great importance for semi-public facilities.

For private applications, fault-free reliability in over the long term, fault-free reliability and maintaining an immaculate appearance form top priorities.

Suitable equipment

When it comes to appropriate sanitary facilities in washrooms and showers, suitable CONTI+ sanitary equipment is a must. CONTI+ faucets with intelligent sensors, attractive design and sophisticated LED lighting concepts create a hand washing experience that pleases all of the senses. Touch-free technology allows simple operation and ensures hygiene and cleanliness. The water-saving implementation also saves costs for the operator. Attractive mechanical design faucets complete the range for every requirement, from upscale hotel and private bathrooms through to guest toilets. Washbasins have a significant impact on the effect of a sanitary facility and therefore also qualify as an architectural design element in themselves. Standard versions and custom-made ergonomic forms adapted to the room deliver comfort and convenience at the washbasin. Soap dispensers, paper towel dispensers, hand dryers and toilet brush sets from CONTI+ can be matched in both material and style, to complete the design-oriented sanitary room.

Comfort solutions

CONTI+ electronic and mechanical shower designs have been tried and tested across several product generations, ensuring long-term functional and operational reliability. Hygiene flushing and thermal disinfection flushing are part of their standard functions, guaranteeing safe enjoyment while showering. In addition, all electronic CONTI+ showers and faucets can today be networked and easily configured, managed and monitored, and the execution using the functions logged using the CNX Water Management System.

Office buildings & meeting rooms



Camping & leisure



Hotels & gastronomy



Private & guest baths



Health and medical facilities

Barrier-free, hygienic, user friendly, reliable

Demands

The sanitary equipment in hygienically-sensitive wash and shower areas, such as in hospitals, nursing homes or medical practices, places particularly high demands on cleanliness and ease of cleaning. Regular hygiene flushing and thermal flush, as well as special touch-free functions, are beneficial as they help to prevent the transfer of germs and bacteria. Electronic valves can help ensure automatic hygiene functions and in modern plants are networked using a CNX Water Management System for management, configuration, control and monitoring.

Intelligent valve and Water Management System portfolio

The hygienic operation of CONTI+ washbasin faucets is made possible by touch-free IR sensors that detect the user and control the water flow. Practical additional functions, such as regular, automatic hygiene flushes, the setting of water follow-up time or a "pause" function for undisturbed cleaning, ensure maximum convenience and hygiene at the washstand. The CNX Water Management System also ensures the higher-level management, setting, control, monitoring and logging of all CONTI+ electronic valves.

Washroom solutions

Equipment in modern rest rooms must be accessible and usable for people with disabilities. Barrier-free CONTI+ washbasins comply with this requirement. The convenient smooth surfaces, allowing no place for germs to hide, of the CONTI+ Gelcoat washbasins demonstrate our expertise in hygiene. The design of the washbasin faucets – no standing water column in the unpressurised area – guarantees full exchange of water in normal use. The lead-free water flow of CONTI+ shower and washbasin faucets inhibits bacterial growth and meets the requirements set out by drinking water standards. The 12, 24 or 48-hour hygienic flushing function of the faucets prevents the growth of germs and the formation of legionella in the water pipes.

Medical & dental practices



Hospitals & clinics



Senior & care homes



Laboratories & research





Hygiene in sanitary facilities

General standards and guidelines

Technical requirements in public, semi-public, commercial and industrial washrooms relate to functional and usage safety, robustness, ecology as well as their suitability for barrier-free use. Over the last few years a high number of standards, guidelines and ordinances have been defined particularly with regard to hygiene. In Germany, the Drinking Water Ordinance, German Federal Environment Office (UBA) regulations, DIN, VDI, and DVGW Code of Practice apply, as do workplace regulations.

The constructional and operational measures and requirements here include:

- Converting mechanical valve control units to contact-free electronic valves, regardless of whether shower, washbasin or urinal valves
- Automatic hygienic flushes and thermal disinfection flushes, e.g. triggered by a Water Management System, that are carried out on the faucets to minimise the risk of causing contamination or increase in germs. This is particularly important for sanitary facilities with a lower frequency of use
- Efficient, resource-saving drinking water management thanks to valves with an automatic mechanical or electronic start/stop function
- Easy to clean, thanks to wall mounted sanitary components
- Use of easy-to-clean and hygiene-friendly materials, i.e. pore-free surfaces, such as stainless steel and plastic composites
- All sanitary components designed to avoid stagnation
- Durability and technical safety thanks to the use of robust materials
- Constructive design and shaping of all sanitary components to avoid functionality being hindered by vandalism, while at the same time ruling out the risk of injury
- Smooth running of all operating elements and draw-off points
- Barrier-free access to the washrooms and sanitary components
- Adequate quantity of different (including barrier-free) sanitary components depending on the number of visitors, the use of the building, the types of events and the resulting concurrence of use

Particular attention is paid to ensuring the quality of drinking water in all drinking water facilities within washrooms. The nature and material of the technical installations used or the operation and use of the drinking water installations must not change the suitability for human consumption.

Appropriate hygiene measures are:

PREVENTATIVE	in planning, construction and maintenance
PERMANENT	in operation and in the event of a hazard
ACUTE	using appropriate measures to exclude

In reality, a large proportion of existing drinking water installations are microbiologically compromised. Microbiologically compromised means that the entire drinking water installation has been contaminated by germs. This refers especially to legionella, pseudomonas and E. coli bacteria, with sometimes life threatening consequences for the public.



The cause of an installation becoming microbiologically compromised may be due to:

- Ingress of germs during and resulting from assembly (contaminated components and tools)
- Rough surfaces on water-bearing installation components, which promote contamination and bacterial adhesion
- Natural biofilm (unproblematic in itself), but which can build substantially through the ingress of germs and subsequently mutate into an ideal breeding ground for germs
- Non-compliance with or securing of temperature specifications for the cold and hot water installations
- Stagnation and reduced water flow or installation areas that are not completely flushed through
- Building up resistance to germs resulting from improperly performed procedural measures to reduce the number of germs (number of runs and parameters)
- Survival strategy of germs, including by transfer in VBNC stages (viable but non-culturable)

For this reason, to avoid microbiological contamination, it is essential that the generally accepted rules of technology, in particular all laws, standards, guidelines and ordinances relating to drinking water hygiene, are complied with and that PREVENTATIVE – PERMANENT – ACUTE hygiene measures are implemented on this basis.

TrinkwV 2018	Drinking Water Ordinance
EN 806	Technical Rules for Potable Water Installations
EN 1717	Protection against Pollution of Potable Water Installations
DIN 1988	Technical Rules for Potable Water Installations
DIN 50930-6	Corrosion of metals – corrosion of metallic materials inside pipelines, containers and apparatus when exposed to corrosion by water
VDI 6023	Hygiene requirements of drinking water installations
UBA	Federal Environment Agency recommendations (Umweltbundesamt Empfehlungen)
KTW	Plastics for drinking water (Kunststoff Trinkwasser) recommendations
DVGW W 543	Pressure-resistant, flexible hoses for drinking water installations
DVGW W 270	Growth of micro-organisms on materials intended for use in drinking water systems
DVGW W 553	Dimensioning of circulation systems in central hot water heating systems
DVGW W 551	Drinking water heating and drinking water piping systems – technical measures to reduce the growth of legionella
RKI	Robert Koch Institute Guidelines

The following criteria must therefore be observed when planning washrooms (drinking water installations), regardless of whether they are new or renovated:

Choice of materials

The correct, and therefore hygienically impeccable, choice of material. In most countries, particular attention is paid to the nickel and lead limits. The following apply in Germany:

Plastic and rubber parts

- KTW (Kunststoff Trinkwasser) plastics for drinking water recommendations
- DVGW W 270 – growth of micro-organisms on materials intended for use in drinking water systems

Metals

- DIN 50930-6 Corrosion of metals – corrosion of metallic materials inside pipelines, containers and apparatus when exposed to corrosion by water
- UBA recommendations – positive list

Constructive materials

To achieve operation in line with the regulations for DHW installations, it is essential to avoid creating areas where the water only flows through partially or not at all (dead spots or dead sections). The upper surface roughness of all water-bearing components must be designed to be as low as possible.

Pipeline planning and component design

Compliance with the technical regulations for drinking water installations forms the basis of all designs of pipelines and components in drinking water installations in the respective countries, e.g. in Germany:

- EN 806 – Technical Rules for Potable Water Installations
- EN 1717 – Protection against Pollution of Potable Water Installations
- DIN 1988 – Technical Rules for Potable Water Installations

The following requirements for dimensioning can be named in accordance with this:

- Avoiding over-dimensioning by taking the planned intended operation into account, along with the user behaviour while considering concurrency factors
- Efficient pipe routing conducive to proper operation, i.e. the shortest possible cold and hot water inlet lines and tank sizes; a circulation pipe must be provided
- Avoidance of cross-section constrictions in order to ensure uniform flow behaviour (low pipe resistance/zeta values)
- Targeted planning of pipeline or route sections for any process engineering measures that may be required
- Supplying sections and components for drinking water treatment measures
- Compliance with the insulation regulations of pipelines and components, as well as their installation specifications
- Setting up sampling points

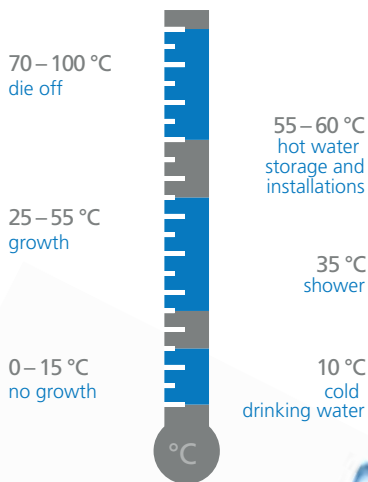


Image: growth of legionella

Operational design

Ensuring compliance with temperature ranges:

- Cold water pipes ≤ 25 °C
- Hot water pipes ≥ 55 °C
- Maximum temperature difference $\Delta T = 5$ K between outlet and inlet of the drinking water heater
- Ensuring regular exchange of water – every 3 days or 72 hours at least once at each complete water volume of the drinking water installation, taking into account the user's behaviour; automatic flushing valves must be planned if necessary
- Safeguarding the option of carrying out process engineering measures for all pipeline sections, components and faucets
- Risk analysis – carrying out a risk analysis to evaluate the drinking water installation in relation to the user behaviour, in particular with regard to:
 - tampering
 - ingress of germs
 - regular and preventative maintenance and inspection

Installing a drinking water facility

Despite the best planning intentions, it may be the case that the practical implementation of a drinking water facility does not comply with the specifications, as not all details are taken into account during the installation.

Simple measures can significantly reduce the initial contamination of drinking water systems:

- Ensuring that the drinking water system is implemented according to plan
- Implementing the obligation to report the construction of a drinking water facility to the health authorities
- Using only microbiologically immaculate tools and components thanks to disinfection measures – also during transport and storage on site
- Commissioning of specialist companies with the installation
- Excluding permanently-existing connections of the drinking water installation with external systems/filling systems, e.g. heating or fire extinguishing mains
- Avoidance of backflow and back suction, e.g. at taps
- Implementing the initial hygiene inspection
- Logging the professional (initial) commissioning(s)
- Handover of the drinking water facilities, including all rights and obligations, to the operator

Qualifications of the operator

During the constant operation of a system, the entrepreneur or other owner (Usl) must ensure that the system is operated as intended. This takes place especially by means of the following tasks:

- Ensuring a regular exchange of water
- Creation and implementation of maintenance and inspection plans
- Implementing regular maintenance and improvement measures
- Documenting all installation changes in the room book and the piping plans
- Regular adaptation of drinking water installations to changing conditions:
 - usage behaviour
 - materials
 - products
 - drinking water quality
- Ensuring sampling in accordance with the Drinking Water Ordinance
- Measurement parameters for cultivable, i.e. colony-forming units (TVC/100 ml)
- Evaluation and initiation of measures based on sampling results
- Ensuring that all operating staff are familiar with all relevant laws, standards, guidelines and ordinances

0 TVC/100 ml	In high risk areas in which people with a weakened immune system are treated, it is essential that no legionella may be detected in the water.
< 100 TVC/100 ml	A legionella concentration of under 100 TVC per 100 ml is the target value.
100 – 1000 TVC/100 ml	Exceedance of the technical "measure value" according to the Drinking Water Ordinance. The system settings should be checked and necessary maintenance work carried out.
1000 – 10,000 TVC/100 ml	Remedial measures to reduce the concentration of legionella are required.
> 10,000 TVC/100 ml	Immediate measures to avert danger are required, such as a ban on showering and the use of filter equipment.

Table: TVC limit values in drinking water

In acute cases, i.e. when the microbiological limit values are exceeded, the obligations of the plant operator are usually specified and must be implemented immediately under all circumstances, in accordance with applicable legislation. In Germany, the following measures are employed to achieve this:

- With the introduction of the TrinkwV 2018 Drinking Water Ordinance [Germany], the duty to report to the public health office no longer applies, as registration occurs directly with the health authority's accredited testing institute
- Performing a hazard analysis, including cause analysis
 - Establishing a plan of action to prevent danger
 - Initiating measures to remedy the causes
 - Introducing procedural measures to reduce the number of colony-forming units
- Quality assurance, among other things through regular re-testing
- Informing consumers, including by using notices
- Adaptation of room book and piping plans for all amendments

The microbiological remediation of drinking water systems is a tried and tested, accurate measure. In addition to killing off the germs, a residue-free removal of the biofilm, as a breeding ground for germs, is also performed.

Basic, i.e. structural, operational and/or process engineering measures that guarantee the longterm assurance of drinking water quality are mandatory in the case of permanent microbiological impairment.



CONTI+ hygiene concept

Solutions for PREVENTATIVE | PERMANENT | ACUTE

CONTI+ CNX Water Management System

Innovative and intelligent valve management to ensure hygiene requirements are met using preventative, constant and acute measures on the drinking water installations during operation. The routines for hygiene flushes and thermal hygiene flushes ("thermal disinfection") stored in the CNX Water Management System, and the wide range of object-specific faucet management functions, allow shower, washbasin and urinal faucets to be adapted to the various installation types and general conditions – via usage intervals or hygiene and operating functions controlled by calendar functions for individual faucets or faucet groups. Tamper-free logging of all hygiene and operational actions performed, including temperature monitoring of the thermal hygiene flush with success report.

Intuitive operation, in compliance with the highest plant and personal security-relevant specifications, on a browser-based software platform – via API (application programming interface) – can also be connected to building management systems. Depending on the control centre, up to 64 or 150 CONTI+ valves can be commissioned individually in a predefined sequence by triggering the water flow (pressing the piezo pushbutton or triggering the IR sensor).

CONTI+ showers

The wide range of technical function versions and variety of different mounting alternatives mean that an appropriate solution can be found for any application. The shower panels and flush mounted showers can be integrated into all types of public washrooms, starting with electronic and manual hygiene functions, through operating and cleaning stops, right up to integration into the CONTI+ CNX Water Management System.

Based on the CONTI+ CONGENIAL adaptive multifunctional water inlet, shower panels and flush mounted showers from existing and old systems can be upgraded and converted to state of the art, particularly when it comes to hygiene requirements. The consistently maintained pitch dimensions and measurements mean that not only can old and existing CONTI+ systems be converted with ease, but the optimally-selected dimensions also make this CONGENIAL adaptive multifunctional water inlet the prime choice for refurbishment or modernisation in many third party systems.

When upgrading shower systems, the choice is yours – from mechanical opening and closing handles, modern electronic shower versions with piezo pushbuttons that meet all hygiene requirements to integration into the CONTI+ CNX Water Management System.





CONTI+ electronic touch-free faucets

The CONTI+ electronic and touch-free wash basin and urinal faucets effectively prevent the spread of germs in daily operation, in particular through the transmission by contact surfaces in washrooms. To avoid hygiene-critical stagnation in pipes and faucets, a regular water exchange can be programmed to ensure an automatic hygienic flush. Timings can be selected dependent upon the usage to include flushing duration and water running times.. Rounding off functions such as cleaning stops, filling mode, safety switch-off, etc. make the CONTI+ touch-free faucets indispensable in all buildings with high and low usage.



CONTI+ Flushing drinking water systems

The dispersal of an added disinfectant such as CONTI+ oXan™ zero by flushing the drinking water system is critical for successful and timely microbiological remediation in even urgent situations. Normally, this flushing is ensured by electronic CONTI+ faucets with automatic flushing function. Buildings without such faucets but that contain a large number of water outlets can use the CONTI+ CONFLUSH flushing unit as an alternative. This is installed at the end of a drinking water system's duct run.



CONTI+ Clou

All CONTI+ shower, washbasin and urinal faucets use the millionfold proven proprietary ROBUST bistable solenoid valve along with standardised modern electronics platforms. This considerably reduces and simplifies the stocking of spare parts, saves costs, avoids mix-ups and ensures availability.



CONTI+ washbasin solutions

Touch-free washbasin faucets in combination with CONTI+ wash basins made of cast mineral with gelcoat coating meet all requirements according to VDI 3818 and VDI 6000. Thanks to their non-porous surface, no dirt or germs can adhere - they are particularly easy to clean and disinfect. CONTI+ washbasin solutions are tailored towards the respective room situation and the conditions of use. Widths, heights and depths, as well as necessary mounting and attachment parts, such as handles, are individually manufactured and installed.



CONTI+ sanitary equipment

The SteelTec and BJÖRK equipment series has enabled washrooms to be equipped with electronic soap dispensers and hand dryers, toilet roll holders, paper towel dispensers, hygiene and waste containers as well as changing tables in accordance with the control specifications for public wash rooms, including for barrier-free use.



CONTI+ hygiene solutions

A comprehensive range of hygiene solutions for drinking water hygiene, swimming pool filter hygiene, room hygiene and surface hygiene based on the pH-neutral, non-toxic and material- and human-compatible CONTI+ oXan™ disinfection solutions. Produced by electrochemical activation of common salt and water, these solutions do not bear any hazardous substance label and after disinfection they react again to form common salt and water.

Drinking water hygiene with CONTI+ oXan™ zero for microbiological sanitation of drinking water systems by killing germs and removing biofilm in combination with CONTI+ electronic flush valves. CONTI+ oXan™ zero dosing systems with impulse water meter are installed in the drinking water system via a T-piece connection, ensuring the temporary usability of contaminated drinking water by using terminal legionella and water germ filters.

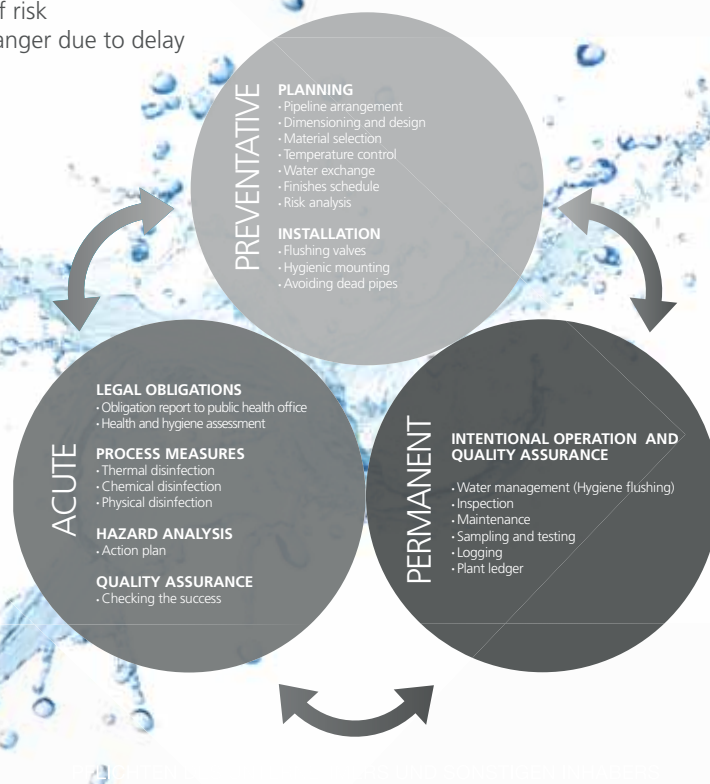
Room hygiene with CONTI+ oXan™ fresh for disinfection and odour elimination for rooms and room air systems of all kinds through cold air nebulisation.

Surface hygiene with CONTI+ oXan™ clean for the disinfection of surfaces of all kinds, of tools, installation components and equipment and for hand disinfection for spraying.

Swimming pool filter hygiene for disinfection of swimming pool filters with CONTI+ oXan™ prime.

The hygiene measures are basically divided into

- PREVENTATIVE** in planning, construction and maintenance
- PERMANENT** in operation and in the event of risk
- ACUTE** for acute contamination and danger due to delay



















FUNCTIONAL OPTIONS			
Areas of application	Hygiene functions		
	PREVENTATIVE*	PERMANENT*	ACUTE*
PRODUCT GROUP			
CNX Water Management System	<ul style="list-style-type: none"> • Cold flush • Hygiene flush • Thermal flush • Documented success monitoring hygiene functions 	<ul style="list-style-type: none"> • Cold flush • Hygiene flush • Thermal flush • Documented success monitoring hygiene functions 	<ul style="list-style-type: none"> • Cold flush • Hygiene flush • Thermal flush • Documented success monitoring hygiene functions
Service APP	<ul style="list-style-type: none"> • Cold flush • Hygiene flush • Documented success monitoring hygiene functions 	<ul style="list-style-type: none"> • Cold flush • Hygiene flush • Documented success monitoring hygiene functions 	<ul style="list-style-type: none"> • Cold flush • Hygiene flush • Documented success monitoring hygiene functions
Showers, electronic piezo pushbutton or E-control	<ul style="list-style-type: none"> • Cold flush • Hygiene flush • Thermal flush • Materials suitable for drinking water 	<ul style="list-style-type: none"> • Cold flush • Hygiene flush • Thermal flush • Materials suitable for drinking water 	<ul style="list-style-type: none"> • Cold flush • Hygiene flush • Thermal flush
Showers, mechanical	<ul style="list-style-type: none"> • Optional hygiene flushing via central key switch • Mechanical thermal flush by manual TD plugs • Optional electronic thermal flush via central key switch • Materials suitable for drinking water 	<ul style="list-style-type: none"> • Optional hygiene flushing via central key switch • Mechanical thermal flush by manual TD plugs • Optional electronic Thermal flush via central key switch • Materials suitable for drinking water 	<ul style="list-style-type: none"> • Optional hygiene flushing via central key switch • Mechanical thermal flush by manual TD plugs • Optional electronic thermal flush via central key switch
Washbasin taps, electronic piezo pushbutton	<ul style="list-style-type: none"> • Hygiene flush • Materials suitable for drinking water 	<ul style="list-style-type: none"> • Hygiene flush • Materials suitable for drinking water 	<ul style="list-style-type: none"> • Hygiene flush
Washbasin taps, electronic IR sensors	<ul style="list-style-type: none"> • Hygiene flush • Touch-free operation • Materials suitable for drinking water 	<ul style="list-style-type: none"> • Hygiene flush • Touch-free operation • Materials suitable for drinking water 	<ul style="list-style-type: none"> • Hygiene flush
Washbasin taps, mechanical	<ul style="list-style-type: none"> • Contact free water shut off • Materials suitable for drinking water 	<ul style="list-style-type: none"> • Contact free water shut off • Materials suitable for drinking water 	–
Urinal faucets, electronic	<ul style="list-style-type: none"> • Hygiene flush • Touch-free operation 	<ul style="list-style-type: none"> • Hygiene flush • Touch-free operation 	<ul style="list-style-type: none"> • Hygiene flush
Sanitary equipment, electronic IR sensors	<ul style="list-style-type: none"> • Touch-free operation 	<ul style="list-style-type: none"> • Touch-free operation 	–
Sanitary equipment, mechanical	–	–	–
Shower heads	<ul style="list-style-type: none"> • Low aerosol • Materials suitable for drinking water 	<ul style="list-style-type: none"> • Low aerosol • Materials suitable for drinking water 	<ul style="list-style-type: none"> • Low aerosol
Spa & wellness	<ul style="list-style-type: none"> • Materials suitable for drinking water 	<ul style="list-style-type: none"> • Materials suitable for drinking water 	–
Washbasins	<ul style="list-style-type: none"> • Pore-free surface • Models without overflows 	<ul style="list-style-type: none"> • Pore-free surface • Models without overflows 	–
Disinfection solutions	<ul style="list-style-type: none"> • Keeping drinking water installations, tools, components, surfaces, hands and room air free of germs 	<ul style="list-style-type: none"> • Keeping drinking water installations, tools, components, surfaces, hands and room air free of germs 	<ul style="list-style-type: none"> • Disinfection of water installations, tools, components, surfaces, hands and room air

* **PREVENTATIVE** in planning, construction and maintenance | **PERMANENT** in operation and in the event of risk | **ACUTE** for acute contamination and danger due to delay

Icon descriptions

Overview on icon descriptions and functions of CONTI+ products

Our products are characterized by special functions. From VARIOconnect and the hygienic flush function to Service Monitor compatibility, there are many useful features that predestine the products especially for use in public, semi-public and commercial sanitary rooms.

	<p>CNX Water Management System Central faucet management to ensure the hygienic functions of showers, lavatory faucets and urinal flush valves</p>		<p>Start/Stop function Piezo switch with start/stop function and an adjustable, automatic water stop</p>
	<p>Hygienic flush Time-controlled via internal clock timer manual temperature control via button or external key function via potential-free contact</p>		<p>Touchless function Infrared sensor to trigger the water flow</p>
	<p>Thermal disinfection Flushing of shower faucets for thermal flush via internal clock timer, manually or via potential-free contact</p>		<p>Push and turn button electronic control unit E-control, push/turn button for mixing and start/stop function</p>
	<p>Cold water flushing Cold water flushing of electronic shower and wash basin faucets by integration into the CNX Water Management System or via the Service APP to ensure drinking water quality</p>		<p>Fresh water station Generation of warm drinking water directly in the shower panel via plate heat exchanger</p>
	<p>Scald protection The thermostatic mixing device with scald protection ensures safety during the shower</p>		<p>Self-closing function Mechanical self-closing function</p>
	<p>DN15 Nominal size or connection dimension DN15 or 1/2"</p>		<p>Service Monitor compatible The Service Monitor is used to control stored operating data, to set and control functions via PC or laptop</p>
	<p>VARIOconnect The multi-functional interface VARIOconnect offers a variety of connection options for power supplies and data connection</p>		<p>CONTI+ Service APP Individual valve control of shower, washbasin and urinal valves for programming, direct function triggering, logging and reading out data</p>



Frost protection

Optional frost protection cable that provides protection against frost damage



Cleaning stop

Interrupts the flow of water while cleaning the shower



Hygienic flush via key switch

Activation of the hygienic flush via a potential-free input with key switch



Payed water

Starts waterflow by coint, token, EC-card, credit card or RFID-transponder



Instantaneous Water Heater HCFS (Heater Control by Faucet Settings)

The electronically controlled small instantaneous water heater is controlled by the mixing valve of the faucet (HCFS). This eliminates mechanical mixing by heating just as much water as needed.

Additionally ...

Click-plus function key

With the Click-plus function key the cleaning respectively fill mode can be activated and the water follow-up time and sensor sensitivity can be set. The hygienic flush is also easily adjustable.



Click function key

The water follow-up time, sensor sensitivity and hygienic flush are adjustable with the sunk Click function key.



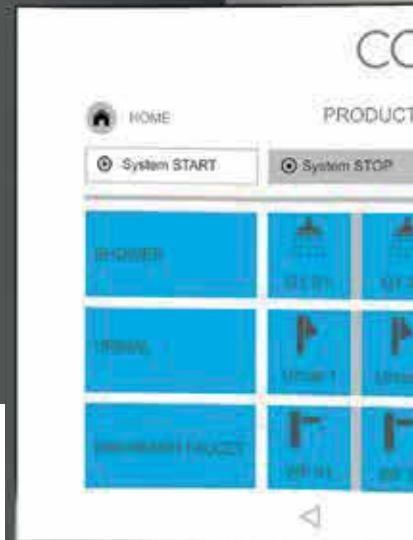
Touch function key

The cleaning or filling mode can be activated with the Touch function key and the water follow-up time and sensor sensitivity can be set. The hygienic flush is also easily adjustable.

New products

Shows the CONTI+ novelties of the year





CNX Water Management System

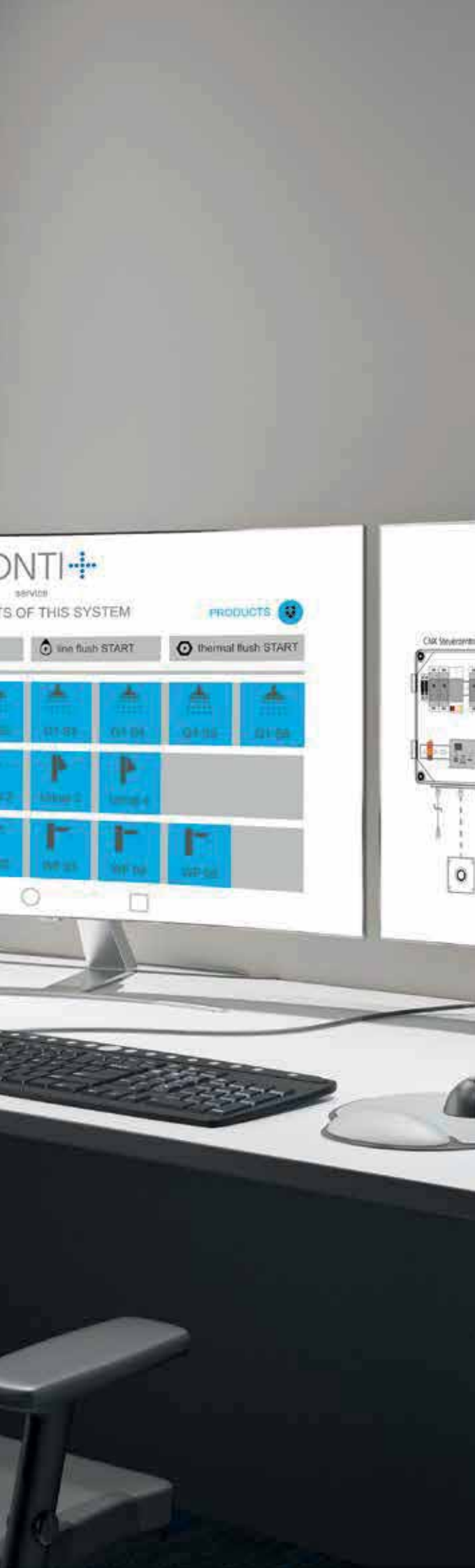
Central Control / Monitoring of hygiene measures

Both new and existing drinking water installations are subject to national hygiene requirements, which needs to be fulfilled, in particular in public, semi-public and commercial drinking water installations. Basic conditions for meeting these requirements are regular measurements to ensure drinking water hygiene: hygienic flush and thermal disinfection.

The advanced CNX Water Management System supports these functions and can execute and document them automatically. Using convenient interval or calendar functions, the required flushes can be automated easily and documented accurately.

Moreover, this system offers a variety of other important operational functions such as cleaning stop, setting of operating times, etc. being at the same time reliable with low maintenance. All functions are regularly updated to the latest standards. The management, adjustment and monitoring of all devices takes place intuitive and with state-of-the-art tools.

In addition to simple operation and functional safety, CONTI+ showers are also characterized by their large number of upgrade and retrofit options as well as efficient maintenance.



CNX Water Management System

System description	22
Central control unit	28
Converter	31
Cable	31

CNX Water Management System

CONTI+ Network eXchange (CNX)

The CNX product series - new, top-of-the-range, modular and electronic. Proven CONTI+ showers, as well as lavatory faucets and urinal flush valves from the CONTI+ range, can all be linked to networks.

Intelligent technical building systems that can connect and control components of the drinking water installation are becoming ever more important.

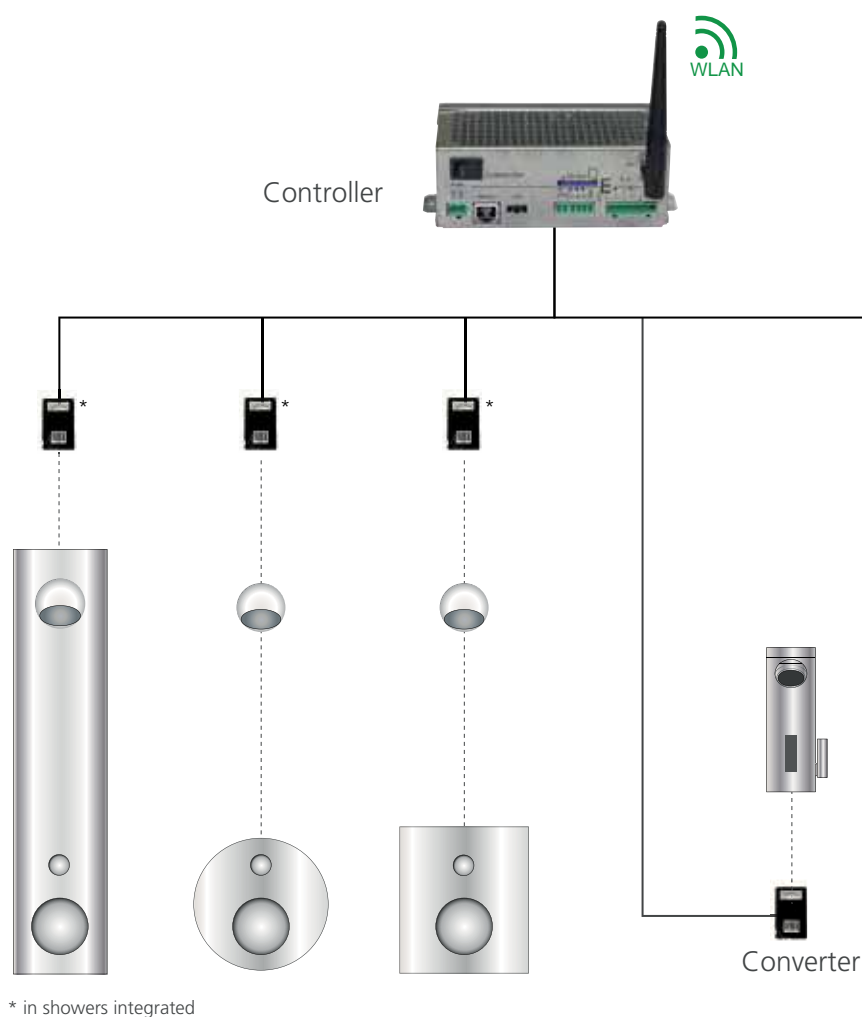
The CNX controller enables the centralised control of up to 150 devices within a range of up to 350 metres.

Via wireless operation, using the tablet included in the standard delivery, it is possible to change settings, call up status information, activate individual and group functions and access recorded data. Reports are saved in PDF format and can be printed and sent easily.

CNX Water Management System applications

Especially suitable for buildings that require drinking water installations offering high functionality and levels of hygiene, such as:

- Swimming pools
- Schools and sports arenas
- Army barracks
- Hotels
- Doctor's surgeries, hospitals, care and retirement homes
- Drinking water installations in the commercial sector and administrative buildings
- Sanitary facilities with specific non-standard operating requirements



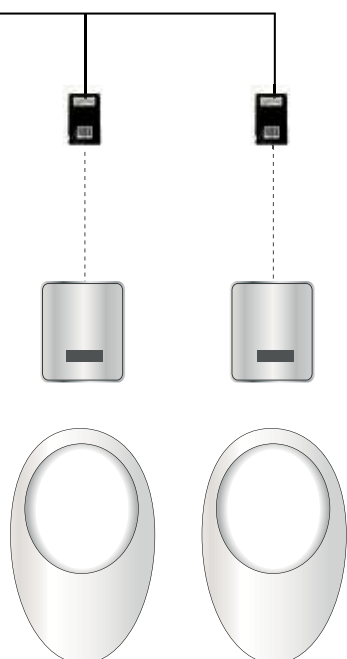
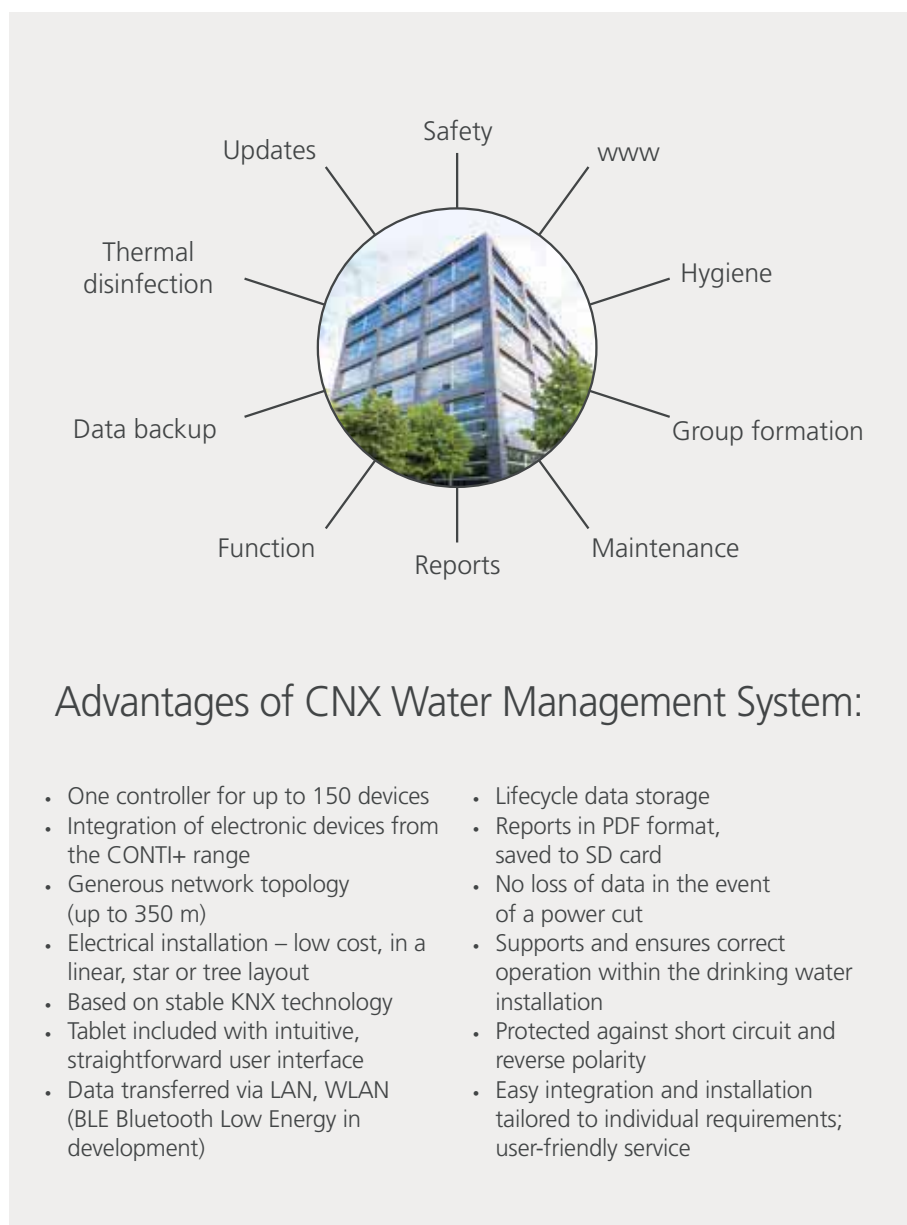
Wireless Water Management

The web server integrated into the CNX controller provides a user friendly overview of all networked devices in the building. Devices that have been linked to the network can be located and controlled via a WLAN connected tablet or laptop, either individually or in groups. Current

operating status, forthcoming action and notifications are all clearly visible on the display.

When online, each faucet receives updates automatically; when offline, updates can be implemented via tablet, for example.

All internet-enabled devices can be operated via web browser, regardless of the operating system installed.

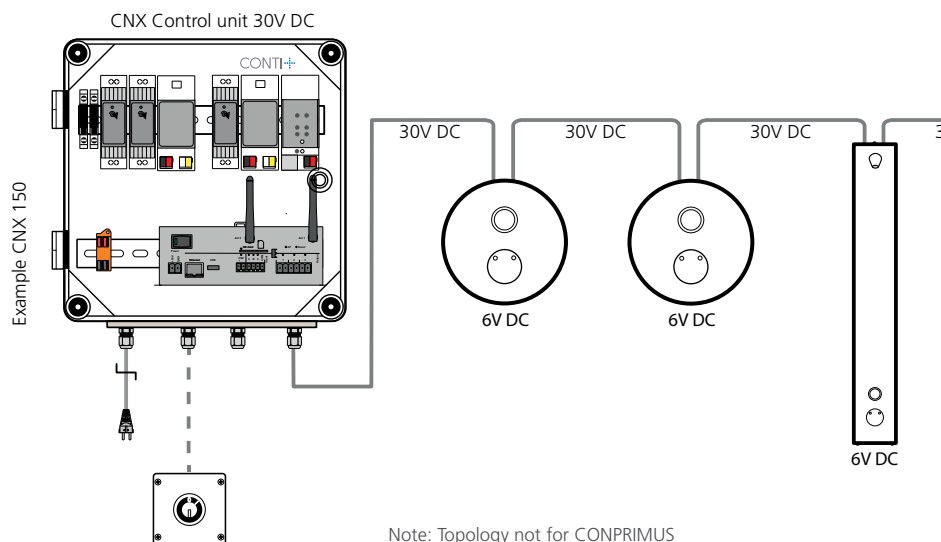


Simply, fast and secure



Topology

The topology offers an easy networking for all devices: individually in a linear, star- or tree layout. Neither terminators nor special bus cables are required. The standard cables, piped in empty conduits or flush-mounted, are quickly connected to the waterproof single-wire terminals. Additional shielding of cable is not required.





What is undoubtedly essential, however, is that the correct temperature, water replacement and flow rate are provided and maintained. These interacting parameters are regarded as the ones which have the most significant effect on the hygiene quality of drinking water at a microbiological level, according to generally accepted local engineering standards. The CNX Water Management System actively influences these parameters.

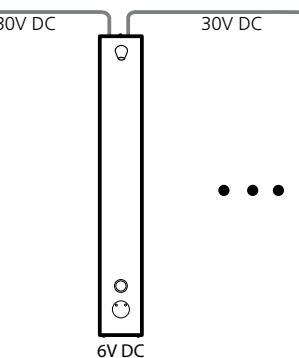
Hygienic flush

While hygiene is an important issue, centralised control is a must. The settings for flush duration, interval and water follow-up time for every tap installed in the system can be set via a mobile device or PC thanks to the CNX system.



Thermal disinfection

Safety is the buzzword for thermal disinfection. As a result, the system only permits the thermal flushing procedure to be triggered at defined times that can be controlled via the tablet, in line with the technical standards. The complete process is monitored, recorded and can be printed.



Faucet management

Devices can be added, reassigned within groups or moved thanks to a clearly structured menu. An overview of parameters set for each faucet can be viewed on the tablet.

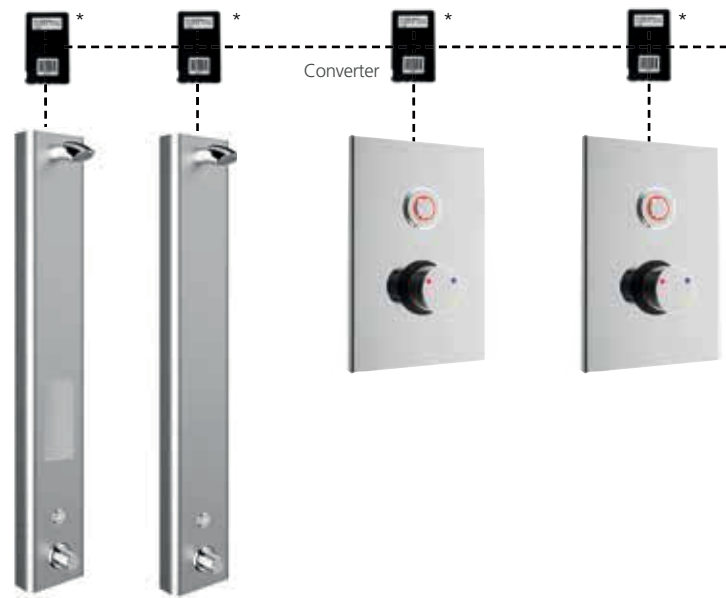


Application example

ROOM 1

Showers

- With thermostat
- Thermal disinfection (TD) via bypass solenoid valve
- Temperature measurement and logging for thermal disinfection
- Connection to the CNX Water Management System via cable (LAN) or in further expansion wireless (WLAN)
- Cable connection via converter for power supply and data transmission



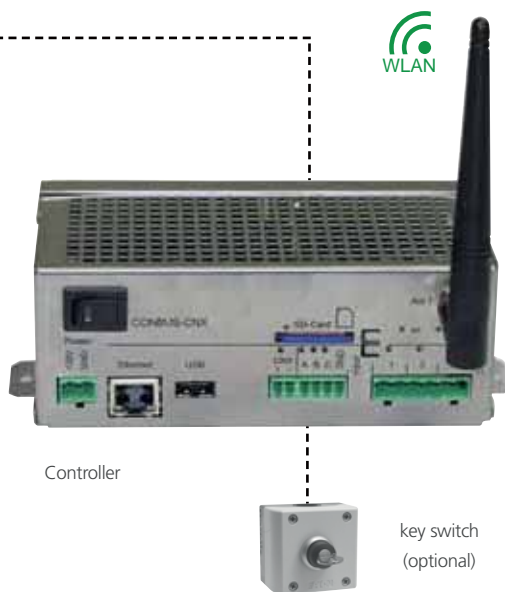
ROOM 2

Urinal flush valves and lavatory faucets

- With IR sensor
- Action log (e.g. for hygienic flush)
- Connection to the CNX Water Management System via cable (LAN) or in further expansion wireless (WLAN)
- Cable connection via converter for power supply and data transmission



* in showers integrated



Central control unit CNX 64 or CNX 150

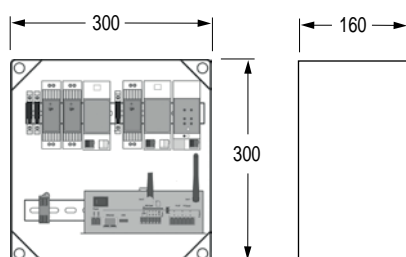
- Control and data recording
- Device and data management
- Service and management functions
- Web server for browser display (tablet, smartphone, PC, Laptop ...)
- Depending on selected model up to 64 or 150 devices
- SD card slot for data backup
- 6x I/O Ports
- USB for Service Wireless Adapter
- Internet connection via LAN (for remote maintenance and software updates)
- Power supply
- Optional connection key switch



Software control and operating unit

- Operating unit: tablet (included in delivery) or smartphone, laptop, PC
- Display of the control panel via web browser
- Intuitive, modern smartphone menu navigation and operation of all functions (see system description)
- Recommendation: Display via Google Chrome for maximum display functionality

Central control unit CNX 150



Central control unit CNX 150

Power supply and control for max. 150 CNX devices, including separate tablet PC as central operating unit, with integrated web server, browser address for integration, adjustment, control, monitoring and logging of all devices. Data transmission via LAN and WLAN, wired ready for connection, connection cable with Schuko plug, suitable for wall mounting. Generous variable line topology up to 350 m in flexible line, star or tree structure

Feature Overview:

- Water flow time: adjustment for normal operation, hygienic flush and thermal disinfection
- Hygienic flush: choice, setting and combination options (manual, usage and calendar-dependent)
- Thermal disinfection: automatic, variable execution, with temperature logging in PDF format with optional temperature sensors
- Cleaning shutdown: manual or optional via external contact
- Operating and fault messages stored in PDF format
- Voltage supply unit

Consisting of:

- Housing: made of plastic with door, RAL 7035
- CNX controller with proprietary robust bus system, with LAN connection as well as WLAN antenna, SD card for lifelong data backup, potential-free inputs for: Start of the thermal flush for disinfection (TD), TD successful message, collective error message, inputs for TD abort, deactivation shower operation and acknowledgment collective error message
- Tablet: with menu-driven innovative user interface, integrated clock- and calendar function
- Tablet functions: integration, administration, operation, querying, setting and monitoring of the entire system, groups or individual devices locally via touch screen and Internet web browser, with user logon, export function of system and status logs

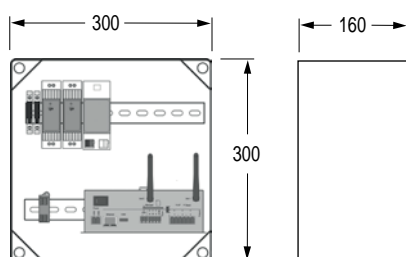
Input voltage: 230 V / 50 Hz
 Output voltage: 26 - 28 V/DC
 Current consumption: 2A
 Power consumption max: 0,1 kW
 Communication: interfaces for KNX / EIB, 2 x USB, 1 x Ethernet, web server for a web client
 Protection class: I
 Protection type: IP 65
 Dimensions (WxHxD): 300x300x160 mm

The electrical wiring may only be carried out by a qualified electrician

Required accessories:
 CONO220000 connecting line

Description	Version	Article number
Central control unit CNX 150	Up to 150 devices	CONO151000

Central control unit CNX 64



Central control unit CNX 64

Power supply and control for max. 64 CNX devices, including separate tablet PC as central operating unit, with integrated web server, browser address for integration, adjustment, control, monitoring and logging of all devices. Data transmission via LAN and WLAN, wired ready for connection, connection cable with Schuko plug, suitable for wall mounting. Generous variable line topology up to 350 m in flexible line, star or tree structure

Feature Overview:

- Water flow time: adjustment for normal operation, hygienic flush and thermal disinfection
- Hygienic flush: choice, setting and combination options (manual, usage and calendar-dependent)
- Thermal disinfection: automatic, variable execution, with temperature logging in PDF format with optional temperature sensors
- Cleaning shutdown: manual or optional via external contact
- Operating and fault messages stored in PDF format
- Voltage supply unit

Consisting of:

- Housing: made of plastic with door, RAL 7035
- CNX controller with proprietary robust bus system, with LAN connection as well as WLAN antenna, SD card for lifelong data backup, potential-free inputs for: Start of the thermal flush for disinfection (TD), TD successful message, collective error message, inputs for TD abort, deactivation shower operation and acknowledgment collective error message
- Tablet PC: with menu-driven innovative user interface, integrated clock- and calendar function
- Tablet functions: integration, administration, operation, querying, setting and monitoring of the entire system, groups or individual devices locally via touch screen and Internet web browser, with user logon, export function of system and status logs

Input voltage: 230 V / 50 Hz
 Output voltage: 26 - 28 V/DC
 Current consumption: 2A
 Power consumption max: 0,1 kW
 Communication: interfaces for KNX / EIB, 2 x USB, 1 x Ethernet, web server for a web client
 Protection class: I
 Protection type: IP 65
 Dimensions (WxHxD): 300x300x160 mm

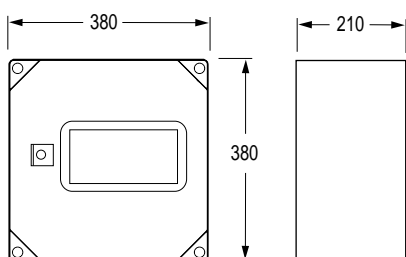
The electrical wiring may only be carried out by a qualified electrician

Required accessories:
 CONO220000 connecting line

Description	Version	Article number
Central control unit CNX 64	Up to 64 devices	CONO141000

Central control unit CNX 64 with touchscreen

NEW



Central control unit CNX 64 with touchscreen

Power supply and control for max. 64 CNX devices, including touchscreen as central operating unit, with integrated web server, browser address for integration, adjustment, control, monitoring and logging of all devices. Data transmission via LAN and WLAN, wired ready for connection, connection cable with Schuko plug, suitable for wall mounting. Generous variable line topology up to 350 m in flexible line, star or tree structure

Feature Overview:

- Water flow time: adjustment for normal operation, hygienic flush and thermal disinfection
- Hygienic flush: choice, setting and combination options (manual, usage and calendar-dependent)
- Thermal disinfection: automatic, variable execution, with temperature logging in PDF format with optional temperature sensors
- Cleaning shutdown: manual or optional via external contact
- Operating and fault messages stored in PDF format
- Voltage supply unit

Consisting of:

- Housing: made of plastic with door, RAL 7035
- CNX controller with proprietary robust bus system, with LAN connection as well as WLAN antenna, SD card for lifelong data backup, potential-free inputs for: Start of the thermal flush for disinfection (TD), TD successful message, collective error message, inputs for TD abort, deactivation shower operation and acknowledgment collective error message
- Touchscreen: with menu-driven innovative user interface, integrated clock- and calendar function
- Touchscreen: integration, administration, operation, querying, setting and monitoring of the entire system, groups or individual devices locally via touch screen or Internet web browser, with user logon, export function of system and status logs


Input voltage: 230 V / 50 Hz
 Output voltage: 26 - 28 V/DC
 Current consumption: 2A
 Power consumption max: 0,1 kW
 Communication: interfaces for KNX / EIB, 2 x USB, 1 x Ethernet, web server for a web client
 Protection class: I
 Protection type: IP 65
 Dimensions (WxHxD): 300x300x160 mm

The electrical wiring may only be carried out by a qualified electrician


Required accessories:
 CONO220000 connecting line

Description	Version	Article number
Central control unit CNX 64 with touchscreen	Up to 64 devices	CONO144918

CNX Converter

	<p>CNX Converter</p> <p>To integrate CONTI+ faucets into the CNX Water Management System, by means of waterproof quick connectors, connecting cable and plug, conversion of the input signal from 30V to 6 /12V.</p> <p>Operating voltage: 30 V/DC Input: Approx. 17 mA Protection: IP68</p> <p>Notice: CONO214641 includes:</p> <ul style="list-style-type: none"> • Flush-mounted socket for masonry • Flush-mounted socket for dry construction 	
Description	Material	Article number
CNX Converter 6V	Plastic	CONO210000
CNX Converter for flush-mounted socket 6V	Plastic	CONO214641
CNX Converter 12 V (CONPRIMUS)	Plastic	CONO210012

Cable J-Y(St)Y

	<p>Cable J-Y(St)Y, 2x2x0,8 mm</p> <p>For electrical wiring of CONTI+ showers, lavatory faucets and urinal flush valves</p> <p>Outside coat: PVC, grey Outer diameter: 7 mm Temperature range: -30 °C to 70 °C, shielding by foil</p>	
Description	Packaging unit	Article number
Cable J-Y(St)Y, 2x2x0,8 mm	100 m	CONO220000



CONTI+ Service APP

Valve management made easy

The CONTI+ Service APP communicates via Bluetooth® with CONTI+ shower panels, concealed showers, washstand and urinal faucets on site.

In conjunction with the BLE Converter, secure communication between the faucet and the device used for operation (e.g. mobile phone or tablet) is established via Bluetooth®. With the user-friendly, intuitive interface of the CONTI+ Service APP, faucets can be identified, selected and then very easily managed, programmed or read off the data.

The APP software guides the user systematically and logically to all menu items and functions, such as programming hygiene flushes, checking and setting water flow times, optimizing sensor ranges, saving settings and usage data - wireless, simple, smart and safe.



Service APP

BLE Converter for Service APP 35



CONTI+ Networked

Control and networking with system

Both new and existing drinking water installations are subject to national hygiene requirements - in Germany, for example, the Drinking Water Ordinance 2018 (TrinkwV). These requirements have to be met especially in public, semi-public and commercial drinking water installations.

In addition to our CONTI+ CNX Water Management System, we have expanded the necessary programming, logging and reading of the required hygiene measures for individual valve control with our CONTI+ Service APP. Whether one (Service APP) or up to 150 valves (CNX), with our systems we offer the right solution for your application.

BLE Converter for CONTI+ Service APP

NEW



BLE Converter for CONTI+ Service APP

To build up a Bluetooth® connection between CONTI+ faucets and a mobile control unit as smartphone or tablet. Smart faucet connection via CONTI+ Service App.

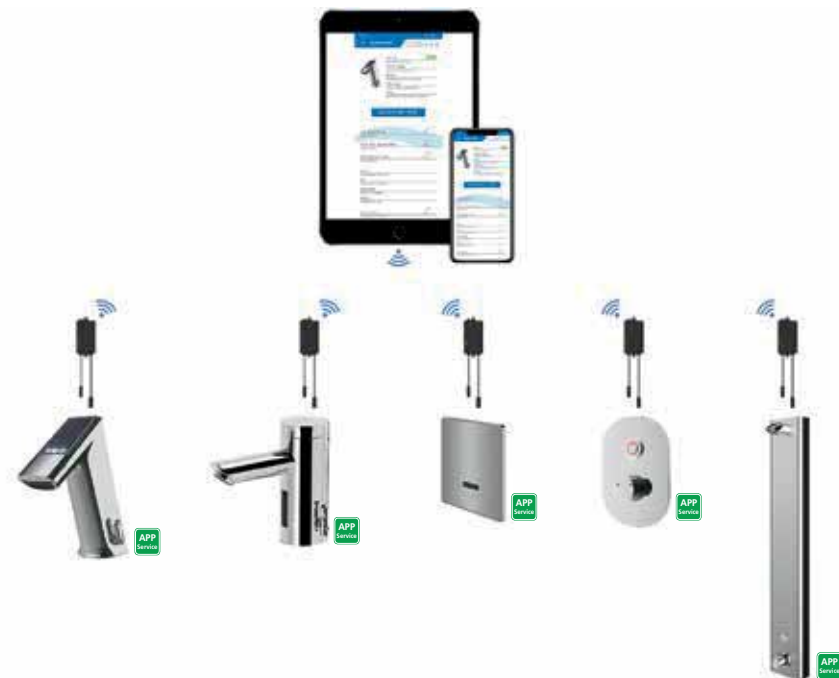
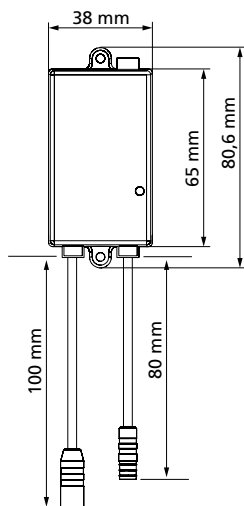
Displays & evaluations per valve:

- Battery status and operating hours
- Number of uses
- Number of hygiene flushings
- Water consumption
- Max. water temperature (only in special cases)

Parameter settings per valve:

- Water run time & water after-run time
- Filling mode & cleaning stop
- Mode & running time of the flush
- Restart delay
- Sensor range stages
- Information on the installation point
- Interval-use dependent hygiene flushing
- Max. water running time (safety shutdown)
- Data for the calculation of water consumption
- Password protection can be activated

The CONTI+ Service App manages all CONTI+ electronic faucets, showers and urinals from 2018 onwards.



Description	Colour	Article number
BLE Converter	Black	CONO260000





Shower solutions



Showers - System description

CONTI+ showers - variable, functional and reliable

The CONTI+ showers portfolio reflects the variety of requirements and applications in terms of hygiene, functionality, operation and ease of maintenance of various areas of use of sanitary facilities in the commercial, public and semi-public areas.

This range of options/alternatives can be illustrated by means of the CONGENIAL, CONSMART, CONFLOW and CONBASE showers, which are tailored to the application, as well as installation alternatives. For shower panels, rear wall or cover mounting, for concealed installation showers via the CONBOX, CONBOX FLANGE, CONBOX FIT, CONBOX SLIM and CONBOX MINI concealed boxes.



System description

CONPRIMUS	40
CONGENIAL.....	42
CONGENIAL FIT	45
CONSMART	46
CONBASE	48
Functional options.....	50

System description CONPRIMUS

E-Thermostat water path CONPRIMUS

CONPRIMUS - Hygiene at high level.

When choosing a shower panel based on the CONTI+ E-Thermostat CONPRIMUS there is a main hygiene innovation - the thermostatic mixing at the height of the shower head. A very short standing water column which successfully prevent the mixed water for microbiological contamination.

The E-Thermostat water path CONPRIMUS combines hygiene functions like cool hygiene and thermal flush with safety function of electronic scalding protection.


Smart water management of E-Thermostat water path CONPRIMUS by CONTI+ Service APP or integration into CNX.

CONPRIMUS shower panels stand for hygiene, safety and design.

CONPRIMUS shower panel

Design alternatives and combination possibilities

Based on the E-Thermostat water path CONPRIMUS - unsurpassed in terms of hygiene and smart handling/service/operation.

	COVER MATERIALS	stainless steel matt
	COVER DESIGNS	without soap dish
	WATER PATH	CONPRIMUS E-Thermostat water path mounting on back wall
	WATER PIPELINE	nominal size DN15 flexible hoses
	SHUT-OFF VALVE	direct from front
	WATER FLOW TRIGGER ELECTRONIC	E-control (piezo button)
	E-THERMOSTAT	with electronic scalding protection
	FUNCTIONS (subsequent upgrades possible)	cold flush hygienic flush thermal flush, electronic cleaning stop
	FAUCET MANAGEMENT	CNX Water Management System, Service APP
	SHOWER HEADS	rain shower heads hand shower set
	CONVERSIONS	to CNX Water Management System to Service APP
	MAINTENANCE	completely possible from front without removal of the water path

System description CONGENIAL

Adaptive multifunctional water path CONGENIAL

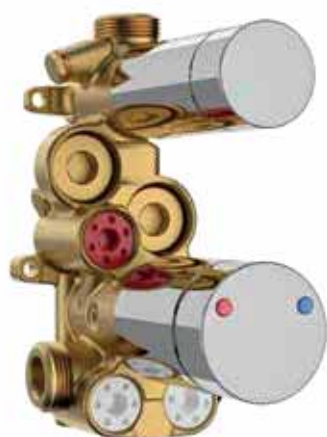
Make the right choice with the CONTI+ adaptive multifunctional water path CONGENIAL.

When choosing a shower variant based on the CONTI+ adaptive multifunctional water path there are many options for extending and modifying the shower and service functionalities in the short, medium and long term due to the many conversion and upgrade options. From simple mechanic opening and closing function via self-closing oil or water hydraulics through to electronic version via piezo switch. CONGENIAL offers interchangeable options in all directions.

The conversion options with respect to the water flow trigger mechanisms are only one strong argument for the decision - the CONTI+ adaptive multifunctional water path CONGENIAL also allows a variety of upgrades. From manual, through electronic thermal flush to integration into the CONTI+ CNX Water Management System to secure and document all hygiene functions.

CONGENIAL one water path for three concealed variants - CONBOX, CONBOX FLANGE and CONBOX FIT.


CONTI+ adaptive multifunctional water path CONGENIAL one solution - wide-ranging fields of application, maximum installation comfort and extensive functionality transfer.



CONGENIAL shower panels

Design alternatives and combination possibilities


Based on the adaptive multifunctional water path CONGENIAL - unsurpassed in terms of conversion and upgrade options and serviceability.

	COVER MATERIALS	stainless steel mat, acrylic composite (on request Varicor)
	COVER DESIGNS	without soap dish with soap dish
	WATER PATH	CONGENIAL multifunctional water path mounting on back wall
	WATER PIPELINE	nominal size DN15 solid copper piping
	SHUT-OFF VALVE	direct from front
	WATER FLOW TRIGGER ELECTRONIC	piezo button
	WATER FLOW TRIGGER MECHANIC	water hydraulic oil hydraulic on/off-handle
	THERMOSTAT	with scalding protection
	FUNCTIONS (subsequent upgrades possible)	hygienic flush hygienic flush external (Key Switch) thermal flush, manual thermal flush, electronic cleaning stop
	FAUCET MANAGEMENT	CNX Water Management System
	SHOWER HEADS	jet shower heads rain shower heads hand shower set stainless steel options
	CONVERSIONS	from mechanic to electronic from electronic to mechanic to CNX Water Management System
	MAINTENANCE	completely possible from front without removal of the water path

CONGENIAL concealed showers

Design alternatives and combination possibilities


Based on the adaptive multifunctional water path CONGENIAL - unmatched in terms of conversion, upgrade options and serviceability.

	COVER MATERIALS	stainless steel mat
	COVER DESIGNS	round square
	WATER PATH	CONGENIAL multifunctional water path mounting on concealed box back wall
	WATER PIPELINE	nominal size DN15 brass piping
	SHUT-OFF VALVE	direct from front
	WATER FLOW TRIGGER ELECTRONIC	piezo button
	WATER FLOW TRIGGER MECHANIC	water hydraulic on/off-handle
	THERMOSTAT	with scalding protection
	FUNCTIONS (subsequent upgrades possible)	hygienic flush hygienic flush external (Key Switch) thermal flush, manual thermal flush, electronic cleaning stop
	FAUCET MANAGEMENT	CNX Water Management System
	SHOWER HEADS	jet shower heads rain shower heads hand shower set stainless steel options
	CONVERSIONS	from mechanic to electronic from electronic to mechanic to CNX Water Management System
	MAINTENANCE	completely possible from front without removal of the water path

CONGENIAL FIT concealed showers

Design alternatives and combination possibilities

Based on the adaptive multifunctional water path CONGENIAL - unsurpassed in terms of conversion and upgrade options and compactness.

	COVER MATERIALS	stainless steel mat stainless steel chromed
	COVER DESIGNS	round square oval
	WATER PATH	CONGENIAL multifunctional water path mounting on concealed box rear wall
	WATER PIPELINE	nominal size DN15 brass piping
	SHUT-OFF VALVE	direct from front
	WATER FLOW TRIGGER ELECTRONIC	piezo switch
	WATER FLOW TRIGGER MECHANIC	water hydraulic on/off-handle
	THERMOSTAT	with scalding protection
	FUNCTIONS (subsequent upgrades possible)	hygienic flush hygienic flush external (Key Switch) thermal flush, manual thermal flush, electronic cleaning stop
	FAUCET MANAGEMENT	CNX Water Management System
	SHOWER HEADS	jet shower heads rain shower heads hand shower set stainless steel options
	CONVERSIONS	from mechanic to electronic from electronic to mechanic to CNX Water Management System
MAINTENANCE	completely possible from front without removal of the water path	

System description CONSMART

Compact water path CONSMART

Electronic shower panels with the compact water path CONSMART offer high functionality. Time-controlled hygiene flushing, the thermal disinfection which can be activated via key switch as well as integration into the CONTI+ CNX Water Management System via calendar-triggered hygiene functions, meet the requirements of a hygienically sensitive drinking water installation.


CONTI+ compact water path CONSMART - one solution for a wide variety of projects with variable functional requirements.



CONSMART shower panels

Design alternatives and combination options


Based on the adaptive multifunctional water path CONSMART - extremely functional and reliable

	COVER MATERIALS	stainless steel mat acrylic composite
	COVER DESIGNS	with soap dish without soap dish
	WATER PATH	CONSMART multifunctional water path mounting on concealed box rear wall
	WATER PIPELINE	nominal size DN15 flexible hoses
	WATER FLOW TRIGGER ELECTRONIC	piezo button
	THERMOSTAT	with scalding protection
	FUNCTIONS (subsequent upgrades possible)	hygienic flush hygienic flush external (Key Switch) thermal flush, electronic cleaning stop
	FAUCET MANAGEMENT	CNX Water Management System
	SHOWER HEADS	jet shower heads rain shower heads hand shower set stainless steel options
	CONVERSIONS	to CNX Water Management System
MAINTENANCE	partly without removal of the water path	

CONBASE concealed showers

Design alternatives and combination possibilities


Based on the water path CONBASE - reliable for premixed or cold water (DN15). Version without thermostat.


	COVER MATERIALS	stainless steel mat
	COVER DESIGNS	round square
	WATER PATH	water path CONBASE mounting on concealed box
	FITTING	nominal size DN15 brass piping
	SHUT-OFF VALVE	direct from front
	WATER FLOW TRIGGER ELECTRONIC	piezo button
	FUNCTIONS (subsequent upgrades possible)	hygienic flush cleaning stop
	SHOWER HEADS	jet shower heads rain shower heads hand shower set stainless steel options
	MAINTENANCE	completely possible from front without removal of the water path

CONBASE concealed showers

Design alternatives and combination possibilities

Based on the water path CONBASE - easy and compact for premixed or cold water in DN15 and DN20.

	COVER MATERIALS	chromed brass
	COVER DESIGNS	round small
	WATER PATH	water path CONBASE mounting wall or ceiling
	FITTING	nominal size DN15 and DN20 brass piping
	WATER FLOW TRIGGER ELECTRONIC	piezo button
	FUNCTIONS (subsequent upgrades possible)	hygienic flush
	SHOWER HEADS	jet shower heads rain shower heads hand shower set special versions
	MAINTENANCE	without removal of the water path

	COVER MATERIALS	chromed brass
	COVER DESIGNS	rosette
	WATER PATH	CONBASE shower mounting wall or ceiling
	FITTING	nominal size DN20 and DN15 brass piping
	WATER FLOW TRIGGER ELECTRONIC	water hydraulik
	SHOWER HEADS	jet shower heads rain shower heads hand shower set stainless steel options
	MAINTENANCE	without removal of the water path

Functional options for showers

Overview shower solutions (not all features combinable)



Shower solutions	FUNCTIONAL CHARACTERISTICS						
	Nominal width	Water flow actuation				Resource-saving functions	
		DN15	Self-closing function, electronic		Self-closing function, mechanical	Mechanical	Paid water discharge
	Piezo switch (CONPRIMUS E-control)	RFID	Water hydraulics	On/off-handle			
SHOWER PANELS							
CONPRIMUS	•	•					•
CONGENIAL	•	•					•
	•			•			•
	•				•		•
	•						•
CONSMART	•	•					•
CONCASH 2.0	•	•				•	•
CONCEALED SHOWERS							
CONGENIAL	•	•					•
	•			•			•
	•				•		•
	•						•
CONGENIAL FIT	•	•					•
	•			•			•
	•				•		•
	•						•
CONBASE	•	•					•
	•						•
CONBASE SLIM	•	•					•
CONBASE MINI	•			•			•
lino	•	•					•
EXPOSED SHOWERS							
CONPRO	•			•			•
	•				•		•
tipolino	•	•					•

•: standard feature | o: optional feature

Service functions	Hygiene and safety functions								
Cleaning stop/ operation stop (CNX)	Cold flush	Thermostat with scald protection (CONPRIMUS E-thermostat)	Hygienic flush	Hygienic flush externally via key switch	Manual thermal hygienic flush (thermal flush)	Electronic thermal hygienic flush via key switch (thermal flush)	Electronic thermal hygienic flush CNX (thermal flush)	CNX Water Management System	Service APP
•	•	•	•						•
•		•	•	•	•	•	•	•	•
		•			•	o			•
		•			•	o			•
		•			•	o			•
•		•	•	•	•	•	•	•	•
		•	•			•			
•		•	•	•	•	•	•	•	•
		•			•	o			•
		•			•	o			•
		•			•	o			•
		•							•
			•						•
			•						•
		•	•			•			•
		•							
		•							
		•	•						

•: standard feature | o: optional feature

The image shows two vertical, rectangular electronic shower panels mounted on a dark, textured wall. Each panel features a showerhead at the top, a small circular indicator light, and a control knob at the bottom. The background is a modern shower stall with dark wall panels and recessed ceiling lights.

Electronic showers

Electronic showers for pleasant showering with hygienic safety

Public, semi-public and commercial shower applications place high demands on functional safety, vandalism, hygiene and maintenance. The CONTI+ shower range has been consistently developed over the years and specializes in its modular design on this mission.

A wide range of modern, electronic shower panels, exposed and concealed versions covers every need. Not only a reliable shower operation with a runtime limitation is important for the user. Even more important is the safety of drinking water hygiene. CONTI+ showers offer functions such as hygiene flushing and thermal disinfection and thus fulfill the requirements of the drinking water.

All CONTI+ showers can be easily integrated into the CNX Water Management System and centrally managed, controlled and monitored in a further expansion stage.



Electronic showers

Shower panels

CONPRIMUS	54
CONGENIAL.....	56
CONFRESH Fresh water station.....	62
CONSMART	64
CONCASH 2.0	70

Concealed showers - final assembly kits

CONGENIAL.....	74
CONGENIAL FIT	78
CONBASE	90
CONBASE SLIM.....	94
CONCASH 2.0	96
CONCASH FIT 2.0	100
lino	104

Exposed shower faucets

tipolino	106
----------------	-----

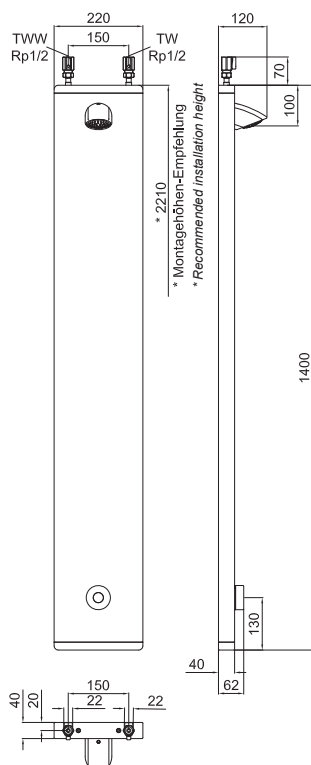
Freestanding showers

CONFREE	110
CONFREEE Accessories	114

CONPRIMUS Shower panel

Showers
electronic

NEW



CONPRIMUS Shower panel

Shower panel with electronically controlled mixing device, including scald protection, for wall mounting.

- Pre-installed electronic mixing unit thermostat-E
- Proportional valve mixing unit at shower head height
- Electronic scald protection
- electronic control unit E-control, turn/push button for mixing and start/stop function
- Temperature adjustment with LED display
- Non-linear temperature adjustment
- Adjustable shower start temperature
- Time-adjustable memory temperature when showering stops
- Pre-equipped for shower heads with plug-in connection or hand shower pre-assembled on delivery
- Electronic hygiene rinsing (mixed water temperature)
- Electronic hygiene flushing (cold water side) via CNX or Service APP
- Electronic thermal disinfection (hot water side) via CNX or Service APP
- Integration into the CNX Water Management System
- Cover extension optional

Mains supply: Power supply via 12 V/DC power supply unit in surface-mounted version in installation box or for DIN rail mounting

Mains supply (CNX): Power supply via 30 V/DC power supply unit in the Control units 64 and 150 and additional 12 V/DC auxiliary power supply

Water flow times:

The water running times of the shower function can be set - via piezo push-buttons or integrated into the CNX Water Management System as well as via the Service APP - by the parameter settings per shower or shower fitting group (CNX).

Hygiene flush:

The hygiene flush can be carried out by programming via the piezo button: 12, 24 or 72 h, can be deactivated. Integrated into the CNX Water Management System or via the Service APP, the hygiene flush can be set as an interval or calendar function and deactivated by parameter settings per shower or shower fittings group (CNX). Factory setting: 12 h with 30 s after last water flow triggering.

Cold water rinsing*:

Cold water rinse can be set and deactivated per shower or shower group (CNX) as an interval or calendar function using the parameter settings, either integrated in the CNX Water Management System or via the Service APP.

Thermal disinfection:

Thermal disinfection can be set as a calendar function for each shower or shower group (CNX) - integrated in the CNX Water Management System or via the Service APP* - using the parameter settings for each shower or shower group (CNX).

Cleaning stop:

The operating stop (cleaning stop), interruption of the shower function, can be set as a calendar function per shower or shower group (CNX) through the parameter settings - integrated in the CNX Water Management System or via the Service APP*.

CNX Water Management System:







Integration of the shower in the software-guided fitting management system for automatic mapping of hygiene, system and safety functions of electronic shower, washbasin and urinal fittings at BUS level. Parametrisation of individual fittings and groups of fittings. Manipulation-proof documentation of all operating, action and function messages.

*Available with software update

CONPRIMUS Shower panel

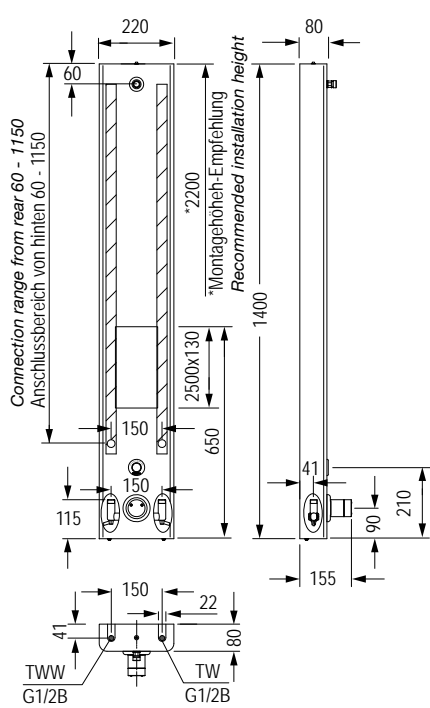
Showers
electronic

<p>Technical data:</p> <p>Dimensions (WxHxD): 220x1400x40 mm Operating voltage (mains):: 12 V/DC Operating voltage (CNX): 30 V/DC, additionally 12 V/DC Operating pressure: 1,5- 5,0 bar Flow rate: 0,15 l/s (flow rate controller) Water temperature (max.): 70 °C (Short-term for TD 80 °C) Electronic protection type: IP68 (electronic components)</p> <p>Shower head or hand shower must be ordered separately, shown here as an example with CONHEAD rain shower head SHORTY</p> <p>(●) = Service APP retrofitable</p>	<p>Required accessories: shower heads, handshower set, Central mains power supply and/or CNX central operation unit</p> <p>Optional accessories: Cover extension</p> <p>Note: The temperature sensor is already included in the delivery.</p>
--------------------------------------------------------------------------------------------------------------------------------------------------------------------------------------------------------------------------------------------------------------------------------------------------------------------------------------------------------------------------------------------------------------------------------------------------------------------------------------------------------------------------------------------------------------------------------------------------------------------------------	-----------------------------------------------------------------------------------------------------------------------------------------------------------------------------------------------------------------------------------------------------------------------------------------------------------

										
Versions	Power supply	Hygienic flush	String flushing Cold water	Therm. disinfection (electronic)	Thermal disinfection CNX	Cleaning stop	Service APP	Article number for version handheld shower	Article number for version shower head	
Mains	12 V/DC series wiring to connect to central mains power supply	●					(●)	CONE1211219500	CONE1111219500	
Mains	12 V/DC series wiring to connect to central mains power supply	●	●	●		●	●	CONE1211219580	CONE1111219580	
Mains CNX	30 V/DC bus cabling to CNX central operating unit 12 V/DC auxiliary power supply additional	●	●		●	●		CONE1211219568	CONE1111219568	
Shower heads	See chapter shower heads	CONHEAD rain shower head SHORTY							CONO030010	
		CONHEAD handshower set							CONO040010	

CONGENIAL shower panel stainless steel, thermostat, piezo switch, DN15

Showers
electronic



CONGENIAL shower panel stainless steel, thermostat, piezo switch, DN15

Electronic shower faucet designed as shower panel in nominal diameter DN15. With thermostatic mixing device for connection to cold and hot water. Application in new construction building and renovation in commercial, semi-public and public sanitary facilities.

- Stainless steel shower panel. Model with mounting frame for fixing the water path, including mounting material
- Cover and mounting frame made of stainless steel 1.4301
- All visible surfaces made of brushed stainless steel, dimensions (HxWxD): 1400x220x80 mm
- Multifunction tool for maintenance work
- Adaptive multifunctional water path CONGENIAL with solenoid valve 6V/DC ROBUST, bistable
- Upgrade and retrofitting functions
- Water path: dezincification resistant forged brass, as a high-quality thermostatic mixer, thermostat handle: chromed brass
- Visible components made of solid, chromed brass, with safety stop
- Choice of temperature setting range
- Integrated check valve in the bypass check valve and strainer cartridges for water inlets
- All functional parts can be disassembled from the front during maintenance work without removing the valve body
- Electronic operation of the shower function via piezo switch with start/stop function, piezo switch: colour ring red, rosette chromed
- The water flow time of the shower function is easily adjustable in electronic showers

Battery: 6V Lithium waterproof encased, lifetime up to 4 years
 Mains: Power supply over 12 V/DC power supply for surface-mounted version in installation box or for DIN top-hat rail mounting
 Mains (CNX): Power supply over 30 V/DC power supply in the control panels 64 and 150

Cover versions:
 With or without seamlessly integrated soap dish.

Hygienic flush (mains/battery):
 Hygienic flush (electronic): the hygienic flush can be carried out in electronic showers by programming via the piezo switch, the Service Monitor or the Service APP per shower; 12, 24 or 72 h, deactivatable; factory setting: 30 s water flush after 12 h of last water flow activation.

Hygienic flush key switch (mains/battery):
 The hygienic flush can be carried out in electronic showers by programming via the piezo switch, the Service Monitor or the Service APP per shower and can be triggered directly by actuating a key switch; 12, 24 or 72 h, deactivatable; factory setting: 30 s water flush after 12 h of last water flow activation.

Thermal disinfection (mains):
 The thermal disinfection in an electronic shower with an installed second bistable solenoid valve 6 V/DC DN15 can be triggered by actuating a key switch.

Cleaning stop (mains/battery):
 The cleaning stop can be activated in electronic showers by positioning a magnet - RC Switch, on the cover respectively cover plate. Shower function via actuation of the piezo switch is interrupted for the time the magnet is positioned there.

Water flow time CNX:
 The water flow time of the shower function can be set and disabled for electronic showers, integrated into the CNX Water Management System, through the software parameter settings per shower or shower group; setting range: 0-180 s, factory setting: 30 s.

Hygienic flush CNX:
 The hygienic flush can be set and disabled for electronic showers, integrated into the CNX Water Management System, by the software parameter settings per shower or shower group as interval or calendar function. Factory setting: 30 s water flush after 12 h of last water flow activation.

Thermal disinfection CNX:
 The thermal disinfection can be set as a calendar function in electronic showers, integrated into the CNX Water Management System, by the software parameter settings per shower group.






Cleaning stop CNX:
 The operation stop (cleaning stop), interruption of the shower function, can be set in electronic showers, integrated into the CNX Water Management System, by the software parameter settings per shower or shower group as a calendar function.

CNX Water Management System:
 Integration of the shower into the software-controlled Water Management System for the automatic depiction of hygiene, system and safety functions of electronic showers, lavatory faucets and urinal flush valves at the BUS level. Parametrisation of individual devices and device groups. Tamper-proof documentation of all operating, action and function messages.

CONGENIAL shower panel stainless steel, thermostat, piezo switch, DN15

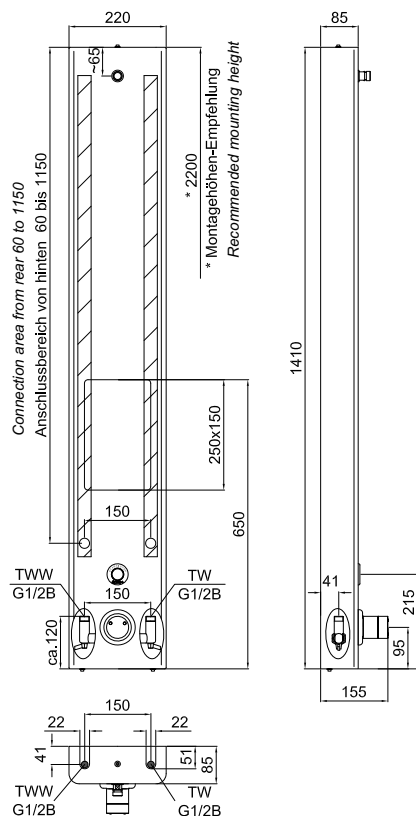
Showers
electronic

<p>Technical data: Operating voltage (battery): 6 V/DC Operating voltage (mains): 12 V/DC Operating voltage (CNX): 30 V/DC Operating pressure: 1,5-5,0 bar Water temp. standard operation (max.): 70 °C Water temp. thermal disinfection: Short-term for therm. disinfection 80 °C Flow rate DN15: 0,15 l/s (flow rate regulator) Flow rate during thermal disinfection DN15: 0,05 l/s (flow rate regulator) Water flow time setting range: 3-180 s Water flow time factory setting: 30 s Hygienic flush setting range: 12, 24 or 72 h, can be deactivated via setting on piezo switch, other hygienic flush intervals can be set via Service Monitor Hygienic flush factory setting: 12 h after last water flow activation, 30 s water flow time Electronic protection type: IP68</p>	<p>Required accessories: Shower head, hand shower set, central mains power supply or CNX central operation unit</p> <p>¹⁾ Key switch for hygienic flush or thermal disinfection (see chapter accessories)</p> <p>Optional accessories: Connection set Cover extension Manual TD plug for thermal disinfection (see chapter accessories)</p> <p>Note: For the water path CNX with thermal disinfection, the temperature sensor is already included in the scope of delivery.</p>
--------------------------------------------------------------------------------------------------------------------------------------------------------------------------------------------------------------------------------------------------------------------------------------------------------------------------------------------------------------------------------------------------------------------------------------------------------------------------------------------------------------------------------------------------------------------------------------------------------------------------------------------------------------------------------------------------------------------------------------------------------------------------------------------------------------------------------------------------------------------------------------------------------------------------------------------------------------------------------------------------------------------------------------------------------------------------------	--------------------------------------------------------------------------------------------------------------------------------------------------------------------------------------------------------------------------------------------------------------------------------------------------------------------------------------------------------------------------------------------------------------------------------------------------------------------------------------------------------------------------------------------------------------------------------------------------------------------------

										
Versions	Power supply	Hygienic flush	Hygienic flush key switch	Therm. disinfection (electronic)	Thermal disinfection CNX	Cleaning stop	Integrated shelf	Article number for version handheld shower	Article number for version shower head	
Battery	6 V/DC Lithium battery waterproof encased	•					•	CONE0212211100	CONE0112211100	
		•				•	•	CONE0212211140	CONE0112211140	
		•						CONE0211211100	CONE0111211100	
		•				•		CONE0211211140	CONE0111211140	
Mains	12 V/DC series wiring to connect to central mains power supply (see chapter accessories)	•					•	CONE0212211200	CONE0112211200	
		•	• ¹⁾				•	CONE0212211210	CONE0112211210	
		•		• ¹⁾			•	CONE0212211230	CONE0112211230	
		•				•	•	CONE0212211240	CONE0112211240	
		•						CONE0211211200	CONE0111211200	
		•	• ¹⁾					CONE0211211210	CONE0111211210	
		•		• ¹⁾				CONE0211211230	CONE0111211230	
		•				•	•	CONE0211211240	CONE0111211240	
Mains CNX	30 V/DC bus cabling to CNX central operating unit (see chapter accessories)	•				•	•	CONE0212211336	CONE0112211336	
		•			•	•	•	CONE0212211360	CONE0112211360	
		•				•		CONE0211211336	CONE0111211336	
		•			•	•		CONE0211211360	CONE0111211360	
Shower heads	See chapter shower heads	CONHEAD jet shower head GOLF							CONO010010	
		CONHEAD rain shower head RAIN2							CONO020010	
		CONHEAD rain shower head SHORTY							CONO030010	
		CONHEAD jet shower head VESUV							CONO060010	
		CONHEAD jet shower head CITY							CONO050010	
		CONHEAD hand shower set					CONO040010			

CONGENIAL shower panel AVW, thermostat, piezo switch, DN15

Showers
electronic



CONGENIAL shower panel AVW, thermostat, piezo switch, DN15

Electronic shower faucet designed as shower panel in nominal diameter DN15. With thermostatic mixing device for connection to cold and hot water. Application in new construction building and renovation in commercial, semi-public and public sanitary facilities.

- AVW shower panel. Model with mounting frame for fixing the water path, including mounting material
- Cover 2K-acrylic composite material, dimensions (HxWxD): 1410x220x85 mm, break-proof and impact resistant, very easy to clean
- Mounting frame made of stainless steel 1.4301
- Multifunction tool for maintenance work
- Adaptive multifunctional water path CONGENIAL with solenoid valve 6 V/DC ROBUST, bistable
- Upgrade and retrofitting functions
- Water path: dezincification resistant forged brass, as a high-quality thermostatic mixer, thermostat handle: chromed brass
- Visible components made of solid, chromed brass, with safety stop
- Choice of temperature setting range
- Integrated check valve in the bypass and check valve and strainer cartridges for water inlets
- All functional parts can be disassembled from the front during maintenance work without removing the valve body
- Electronic operation of the shower function via piezo button with start/stop function, piezo switch: colour ring red, rosette chromed
- The water flow time of the shower function is easily adjustable in electronic showers

Battery: 6V Lithium waterproof encased, lifetime up to 4 years
 Mains: Power supply over 12 V/DC power supply for surface-mounted version in installation box or for DIN top-hat rail mounting
 Mains (CNX): Power supply over 30 V/DC power supply in the control panels 64 and 150

Cover versions:
 With or without seamlessly integrated soap dish.

Hygienic flush (mains/battery):
 Hygienic flush (electronic): the hygienic flush can be carried out in electronic showers by programming via the piezo switch, the Service Monitor or the Service APP per shower; 12, 24 or 72 h, deactivatable; factory setting: 30 s water flush after 12 h of last water flow activation.

Hygienic flush key switch (mains/battery):
 The hygienic flush can be carried out in electronic showers by programming via the piezo switch, the Service Monitor or the Service APP per shower and can be triggered directly by actuating a key switch; 12, 24 or 72 h, deactivatable; factory setting: 30 s water flush after 12 h of last water flow activation.

Thermal disinfection (mains):
 The thermal disinfection in an electronic shower with an installed second bistable solenoid valve 6 V/DC DN15 can be triggered by actuating a key switch.

Cleaning stop (mains/battery):
 The cleaning stop can be activated in electronic showers by positioning a magnet - RC Switch, on the cover respectively cover plate. Shower function via actuation of the piezo switch is interrupted for the time the magnet is positioned there.

Water flow time CNX:
 The water flow time of the shower function can be set and disabled for electronic showers, integrated into the CNX Water Management System, through the software parameter settings per shower or shower group; setting range: 0-180 s, factory setting: 30 s.

Hygienic flush CNX:
 The hygienic flush can be set and disabled for electronic showers, integrated into the CNX Water Management System, by the software parameter settings per shower or shower group as interval or calendar function. Factory setting: 30 s water flush after 12 h of last water flow activation.






Thermal disinfection CNX:
 The thermal disinfection can be set as a calendar function in electronic showers, integrated into the CNX Water Management System, by the software parameter settings per shower group.

Cleaning stop CNX:
 The operation stop (cleaning stop), interruption of the shower function, can be set in electronic showers, integrated into the CNX Water Management System, by the software parameter settings per shower or shower group as a calendar function.

CNX Water Management System:
 Integration of the shower into the software-controlled Water Management System for the automatic depiction of hygiene, system and safety functions of electronic showers, lavatory faucets and urinal flush valves at the BUS level. Parametrisation of individual devices and device groups. Tamper-proof documentation of all operating, action and function messages.

CONGENIAL shower panel AWW, thermostat, piezo switch, DN15

<p>Technical data: Operating voltage (battery): 6 V/DC Operating voltage (mains): 12 V/DC Operating voltage (CNX): 30 V/DC Operating pressure: 1,5-5,0 bar Water temp. standard operation (max.): 70 °C Water temp. thermal disinfection: Short-term for therm. disinfection 80 °C Flow rate DN15: 0,15 l/s (flow rate regulator) Flow rate during thermal disinfection DN15: 0,05 l/s (flow rate regulator) Water flow time setting range: 3-180 s Water flow time factory setting: 30 s Hygienic flush setting range: 12, 24 or 72 h, can be deactivated via setting on piezo switch, other hygienic flush intervals can be set via Service Monitor Hygienic flush factory setting: 12 h after last water flow activation, 30 s water flow time Electronic protection type: IP68</p>	<p>Required accessories: Shower head, hand shower set, central mains power supply or CNX central operation unit</p> <p>¹⁾ Key switch for hygienic flush or thermal disinfection (see chapter accessories)</p> <p>Optional accessories: Connection set Cover extension Manual TD plug for thermal disinfection (see chapter accessories)</p> <p>Note: For the water path CNX with thermal disinfection, the temperature sensor is already included in the scope of delivery.</p>
--------------------------------------------------------------------------------------------------------------------------------------------------------------------------------------------------------------------------------------------------------------------------------------------------------------------------------------------------------------------------------------------------------------------------------------------------------------------------------------------------------------------------------------------------------------------------------------------------------------------------------------------------------------------------------------------------------------------------------------------------------------------------------------------------------------------------------------------------------------------------------------------------------------------------------------------------------------------------------------------------------------------------------------------------------------------------------	--------------------------------------------------------------------------------------------------------------------------------------------------------------------------------------------------------------------------------------------------------------------------------------------------------------------------------------------------------------------------------------------------------------------------------------------------------------------------------------------------------------------------------------------------------------------------------------------------------------------------

										
Version	Power supply	Hygienic flush	Hygienic flush key switch	Therm. disinfection (electronic)	Thermal disinfection CNX	Cleaning stop	Integrated shelf	Article number for version hand shower	Article number for version shower head	
Battery	6 V/DC Lithium battery waterproof encased	•					•	CONE0232211100	CONE0132211100	
		•				•	•	CONE0232211140	CONE0132211140	
		•					•	CONE0231211100	CONE0131211100	
		•					•	CONE0231211140	CONE0131211140	
Mains	12 V/DC series wiring to connect to central mains power supply (see chapter accessories)	•					•	CONE0232211200	CONE0132211200	
		•	• ¹⁾				•	CONE0232211210	CONE0132211210	
		•		• ¹⁾			•	CONE0232211230	CONE0132211230	
		•				•	•	CONE0232211240	CONE0132211240	
		•						CONE0231211200	CONE0131211200	
		•	• ¹⁾					CONE0231211210	CONE0131211210	
		•		• ¹⁾				CONE0231211230	CONE0131211230	
		•					•	CONE0231211240	CONE0131211240	
CNX	30 V/DC bus cabling to CNX central operating unit (see chapter accessories)	•				•	•	CONE0232211336	CONE0132211336	
		•			•	•	•	CONE0232211360	CONE0132211360	
		•				•		CONE0231211336	CONE0131211336	
		•			•	•		CONE0231211360	CONE0131211360	
Shower heads	See chapter shower heads	CONHEAD jet shower head GOLF							CONO010010	
		CONHEAD rain shower head RAIN2							CONO020010	
		CONHEAD rain shower head SHORTY							CONO030010	
		CONHEAD jet shower head VESUV							CONO060010	
		CONHEAD jet shower head CITY							CONO050010	
		CONHEAD hand shower set						CONO040010		

Fresh water module

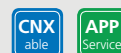
Reliable hot water, heated directly at the point of use



Shower panel with fresh water module

Decentralised heating of hot water for showering, directly within the CONTI+ shower panel thanks to the integral fresh water module.

- Uniquely hygienic thanks to shorter water inlets and pipe runs
- No requirement to perform testing mandated under the German Drinking Water Ordinance (TrinkwV), as below the three litre rule
- Direct, efficient heating thanks to adapted circulation bridge as a bypass on the hot (heating) water side
- Domestic hot water heating independent of the selected heat source
- Secure water circuit separation through plate heat exchanger
- DVGW certified proportional flow controller
- Integration into the CONTI+ CNX Water Management System



Selection of eight different shower heads

Stainless steel shower panel cover

Electronic shower panel with piezo push button

Thermostatic mixer with antiscalding protection



Heating water return HRL

Heating water flow HVL

Circulation bridge

Plate heat exchanger

CONGENIAL adaptive multifunctional water inlet

Cold water inlet PWC (potable water cold)

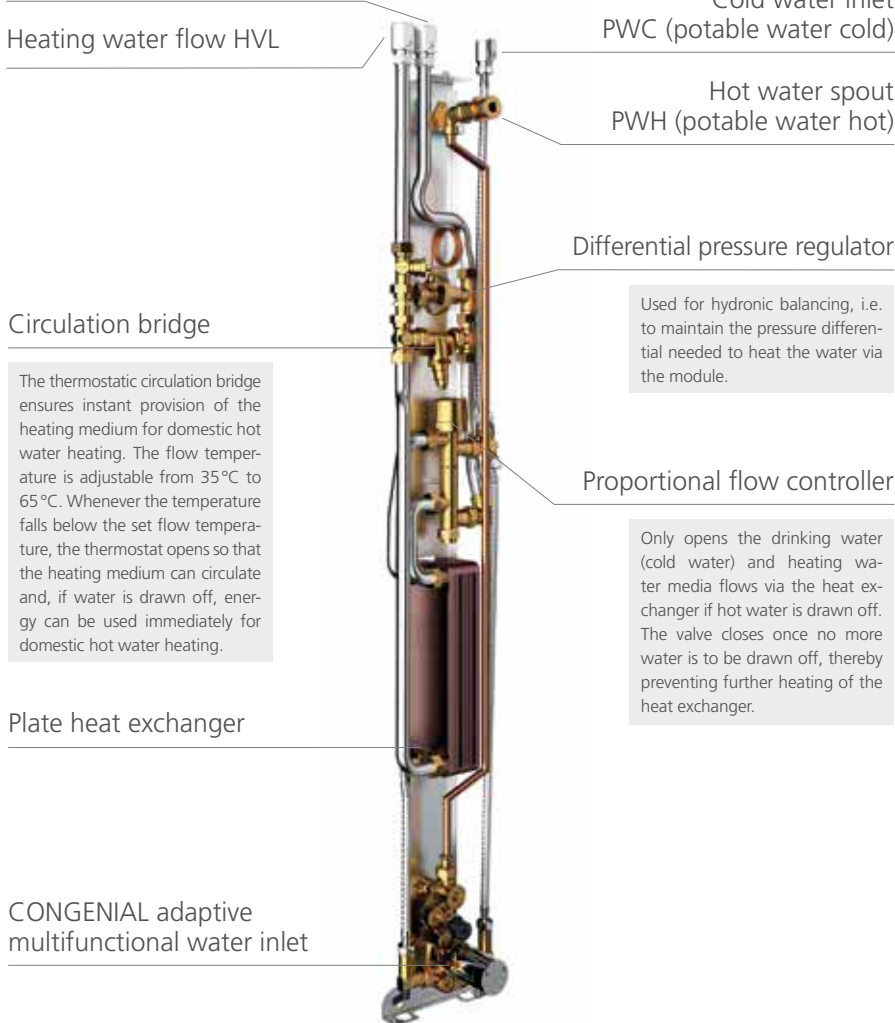
Hot water spout PWH (potable water hot)

Differential pressure regulator

Used for hydronic balancing, i.e. to maintain the pressure differential needed to heat the water via the module.

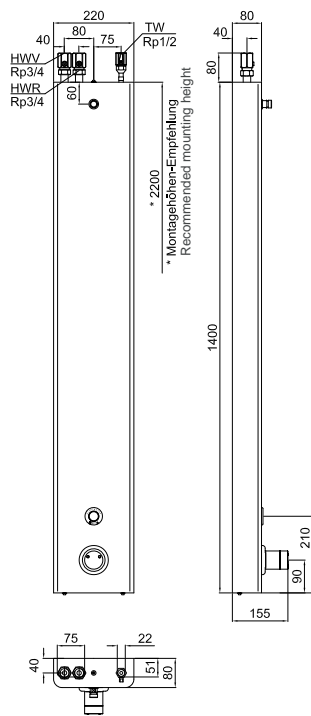
Proportional flow controller

Only opens the drinking water (cold water) and heating water media flows via the heat exchanger if hot water is drawn off. The valve closes once no more water is to be drawn off, thereby preventing further heating of the heat exchanger.



CONFRESH shower panel fresh water station, stainless steel, thermostat, piezo button, DN15

Showers
electronic



CONFRESH shower panel fresh water station, stainless steel, thermostat, piezo button, DN15

Electronic shower faucet designed as shower panel in nominal diameter DN15. Integrated fresh water station for the production of warm, decentralised and directly in the shower panel produced drinking water. Hot water generation via plate heat exchanger by supplying heating water. With thermostatic mixing device for connection to cold and hot water. Application in new construction building and renovation in commercial, semi-public and public sanitary facilities.

- Stainless steel shower panel. Version with mounting frame to accommodate the water section, including fixing material; cover and mounting frame made of stainless steel 1.4301
- All visible surfaces: brushed stainless steel; dimensions (HxWxD): 1400x220x80 mm
- Multifunctional tool for maintenance work
- Fresh water station: integrated circulation bridge for heating water circuit
- DVGW-approved proportional flow regulator and differential pressure regulator
- Piping for heating water: Stainless steel corrugated pipe
- Pipelines drinking water: copper and flexible hoses
- Adaptive multifunctional water path CONGENIAL with solenoid valve 6 V/DC ROBUST, bistable
- Upgrade and retrofitting functions
- Fitting body: dezincification resistant pressed brass, as a high-quality thermostat battery; thermostat handle: chrome-plated brass
- Visible components made of solid, chromed brass, with safety stop
- Choice of temperature setting range
- Integrated check valve in the bypass and check valve and strainer cartridges for water inlets
- All functional parts can be disassembled from the front during maintenance work without removing the valve body
- Electronic operation of the shower function via piezo button with start/stop function, piezo switch: colour ring red, rosette chromed
- The water flow time of the shower function is easily adjustable in electronic showers

Battery: 6V Lithium waterproof encased, lifetime up to 4 years
 Mains: Power supply over 12 V/DC power supply for surface-mounted version in installation box or for DIN top-hat rail mounting
 Mains (CNX): Power supply over 30 V/DC power supply in the control panels 64 and 150

Hygienic flush (mains/battery):

Hygienic flush (electronic): the hygienic flush can be carried out in electronic showers by programming via the piezo switch, the Service Monitor or the Service APP per shower; 12, 24 or 72 h, deactivatable; factory setting: 30 s water flush after 12 h of last water flow activation.

Hygienic flush CNX:

The hygienic flush can be set and disabled for electronic showers, integrated into the CNX Water Management System, by the software parameter settings per shower or shower group as interval or calendar function. Factory setting: 30 s water flush after 12 h of last water flow activation.

Cleaning stop (mains/battery):

The cleaning stop can be activated in electronic showers by positioning a magnet - RC Switch, on the cover respectively cover plate. Shower function via actuation of the piezo switch is interrupted for the time the magnet is positioned there.

Cleaning stop CNX:






The operation stop (cleaning stop), interruption of the shower function, can be set in electronic showers, integrated into the CNX Water Management System, by the software parameter settings per shower or shower group as a calendar function.

CNX Water Management System:

Integration of the shower into the software-controlled Water Management System for the automatic depiction of hygiene, system and safety functions of electronic showers, lavatory faucets and urinal flush valves at the BUS level. Parametrisation of individual devices and device groups. Tamper-proof documentation of all operating, action and function messages.

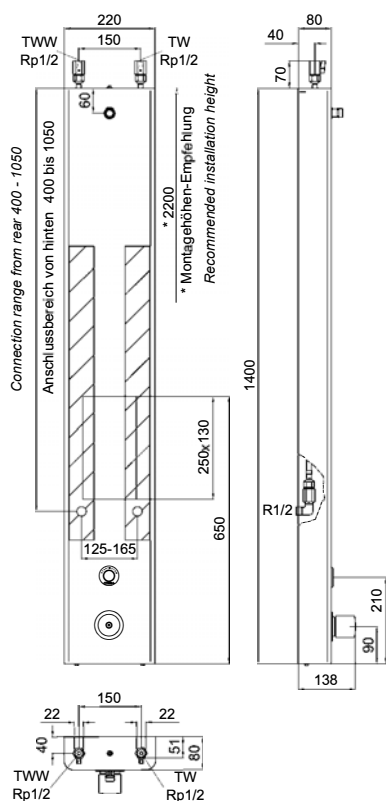
CONFRESH shower panel fresh water station, stainless steel, thermostat, piezo button, DN15

<p>Technical data: Operating voltage (battery): 6 V/DC Operating voltage (mains): 12 V/DC Operating voltage (CNX): 30 V/DC Operating pressure: 1,5-5,0 bar Water temp. standard operation (max.): 70 °C Water temp. thermal disinfection: Short-term for therm. disinfection 80 °C Flow rate DN15: 0,15 l/s (flow rate regulator) Water flow time setting range: 3-180 s Water flow time factory setting: 30 s Hygienic flush setting range: 12, 24 or 72 h, can be deactivated via setting on piezo switch, other hygienic flush intervals can be set via Service Monitor Hygienic flush factory setting: 12 h after last water flow activation, 30 s water flow time</p> <p>Power fresh water station (plate heat exchanger): 35 kW Hot water preparation Standard conditions: with 65 °C heating water flow Heating flow (max.): 80 °C Hot water temperature - side Input: 10 °C Drinking water temperature - side Output: 45 °C Pressure loss heat exchanger unit: 0,22 bar Electronic protection type: IP68</p>	<p>Required accessories: Shower head, hand shower set, central mains power supply or CNX central operation unit</p> <p>Optional accessories: Cover extension</p>
--------------------------------------------------------------------------------------------------------------------------------------------------------------------------------------------------------------------------------------------------------------------------------------------------------------------------------------------------------------------------------------------------------------------------------------------------------------------------------------------------------------------------------------------------------------------------------------------------------------------------------------------------------------------------------------------------------------------------------------------------------------------------------------------------------------------------------------------------------------------------------------------------------------------------------------------------------------------------------------------------------------------------------------------------------------------------------------------------------------------------------------------------------------------------------------------------------------------------------------------------------------------------------------------------------------------------------------------------------------------------------------------------	--------------------------------------------------------------------------------------------------------------------------------------------------------------------------------------------------------------------------

									
Version	Power supply	Hygienic flush	Hygienic flush key switch	Therm. disinfection (electronic)	Thermal disinfection CNX	Cleaning stop	Article number for version hand shower	Article number for version shower head	
Battery	6 V/DC Lithium battery waterproof encased	•						CONE0111211150	
Mains	12 V/DC series wiring to connect to central mains power supply (see chapter accessories)	•					CONE0211211250	CONE0111211250	
CNX	12 V/DC series wiring to connect to central mains power supply (see chapter accessories)	•					CONE0211211356	CONE0111211356	
Shower heads	See chapter shower heads	CONHEAD jet shower head GOLF						CONO010010	
		CONHEAD rain shower head RAIN2						CONO020010	
		CONHEAD rain shower head SHORTY						CONO030010	
		CONHEAD jet shower head VESUV						CONO060010	
		CONHEAD jet shower head CITY						CONO050010	
		CONHEAD hand shower set					CONO040010		

CONSMART shower panel stainless steel, thermostat, piezo switch, DN15

Showers
electronic



CONSMART shower panel stainless steel, thermostat, piezo switch, DN15

Electronic shower faucet designed as shower panel in nominal diameter DN15. With thermostatic mixing device for connection to cold and hot water. Application in new construction building and renovation in commercial, semi-public and public sanitary facilities.

- Stainless steel shower panel. Model with two wall brackets, including mounting material
- Upper wall bracket with 90° hold from both sides for cover for mounting and maintenance work
- Cover and wall bracket made of stainless steel 1.4301
- All visible surfaces made of brushed stainless steel, dimensions (HxWxD): 1400x220x80 mm
- Multifunction tool for maintenance work
- Water path CONSMART with solenoid valve 6 V/DC ROBUST, bistable
- Water path: dezincification resistant forged brass, as a high-quality thermostatic mixer, thermostat handle: chromed brass
- Visible components made of solid, chromed brass, with safety stop
- Choice of temperature setting range
- Integrated check valve in the bypass and check valve and strainer cartridges for water inlets
- Some of the functional parts can be dismantled during maintenance work without removing the valve body
- Electronic operation of the shower function via piezo switch with start/stop function, piezo switch: colour ring red, rosette chrome plated
- The water flow time of the shower function is easily adjustable in electronic showers

Battery: 6V Lithium waterproof encased, lifetime up to 4 years
 Mains: Power supply over 12 V/DC power supply for surface-mounted version in installation box or for DIN top-hat rail mounting
 Mains (CNX): Power supply over 30 V/DC power supply in the control panels 64 and 150

Cover versions:
 With or without seamlessly integrated soap dish.

Hygienic flush (mains/battery):
 Hygienic flush (electronic): the hygienic flush can be carried out in electronic showers by programming via the piezo switch, the Service Monitor or the Service APP per shower; 12, 24 or 72 h, deactivatable; factory setting: 30 s water flush after 12 h of last water flow activation.

Hygienic flush key switch (mains/battery):
 The hygienic flush can be carried out in electronic showers by programming via the piezo switch, the Service Monitor or the Service APP per shower and can be triggered directly by actuating a key switch; 12, 24 or 72 h, deactivatable; factory setting: 30 s water flush after 12 h of last water flow activation.

Thermal disinfection (mains):
 The thermal disinfection in an electronic shower with an installed second bistable solenoid valve 6 V/DC DN15 can be triggered by actuating a key switch.

Cleaning stop (mains/battery):
 The cleaning stop can be activated in electronic showers by positioning a magnet - RC Switch, on the cover respectively cover plate. Shower function via actuation of the piezo switch is interrupted for the time the magnet is positioned there.

Water flow time CNX:
 The water flow time of the shower function can be set and disabled for electronic showers, integrated into the CNX Water Management System, through the software parameter settings per shower or shower group; setting range: 0-180 s, factory setting: 30 s.

Hygienic flush CNX:
 The hygienic flush can be set and disabled for electronic showers, integrated into the CNX Water Management System, by the software parameter settings per shower or shower group as interval or calendar function. Factory setting: 30 s water flush after 12 h of last water flow activation.

Thermal disinfection CNX:
 The thermal disinfection can be set as a calendar function in electronic showers, integrated into the CNX Water Management System, by the software parameter settings per shower group.






Cleaning stop CNX:
 The operation stop (cleaning stop), interruption of the shower function, can be set in electronic showers, integrated into the CNX Water Management System, by the software parameter settings per shower or shower group as a calendar function.

CNX Water Management System:
 Integration of the shower into the software-controlled Water Management System for the automatic depiction of hygiene, system and safety functions of electronic showers, lavatory faucets and urinal flush valves at the BUS level. Parametrisation of individual devices and device groups. Tamper-proof documentation of all operating, action and function messages.

CONSMART shower panel stainless steel, thermostat, piezo switch, DN15

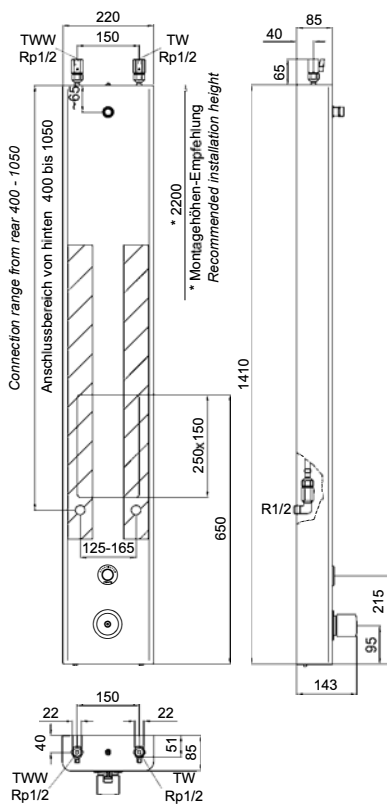
Showers electronic

<p>Technical data: Operating voltage (battery): 6 V/DC Operating voltage (mains): 12 V/DC Operating voltage (CNX): 30 V/DC Operating pressure: 1,5-5,0 bar Water temp. standard operation (max.): 70 °C Water temp. thermal disinfection: Short-term for therm. disinfection 80 °C Flow rate DN15: 0,15 l/s (flow rate regulator) Flow rate during thermal disinfection DN15: 0,05 l/s (flow rate regulator) Water flow time setting range: 3-180 s Water flow time factory setting: 30 s Hygienic flush setting range: 12, 24 or 72 h, can be deactivated via setting on piezo switch, other hygienic flush intervals can be set via Service Monitor Hygienic flush factory setting: 12 h after last water flow activation, 30 s water flow time Electronic protection type: IP68</p>	<p>Required accessories: Shower head, hand shower set, central mains power supply or CNX central operation unit</p> <p>¹⁾ Key switch for hygienic flush or thermal disinfection (see chapter accessories)</p> <p>Optional accessories: Cover extension Manual TD plug for thermal disinfection (see chapter accessories)</p> <p>Note: For the water path CNX with thermal disinfection, the temperature sensor is already included in the scope of delivery.</p>
--------------------------------------------------------------------------------------------------------------------------------------------------------------------------------------------------------------------------------------------------------------------------------------------------------------------------------------------------------------------------------------------------------------------------------------------------------------------------------------------------------------------------------------------------------------------------------------------------------------------------------------------------------------------------------------------------------------------------------------------------------------------------------------------------------------------------------------------------------------------------------------------------------------------------------------------------------------------------------------------------------------------------------------------------------------------------------	--------------------------------------------------------------------------------------------------------------------------------------------------------------------------------------------------------------------------------------------------------------------------------------------------------------------------------------------------------------------------------------------------------------------------------------------------------------------------------------------------------------------------------------------------------------------------------------

										
Version	Power supply	Hygienic flush	Hygienic flush key switch	Therm. disinfection (electronic)	Thermal disinfection CNX	Cleaning stop	Integrated shelf	Article number for version hand shower	Article number for version Shower head	
Battery	6 V/DC Lithium battery waterproof encased	•					•	CONE0212221100	CONE0112221100	
		•				•	•	CONE0212221140	CONE0112221140	
		•					•	CONE0211221100	CONE0111221100	
		•					•	CONE0211221140	CONE0111221140	
Mains	12 V/DC series wiring to connect to central mains power supply (see chapter accessories)	•					•	CONE0212221200	CONE0112221200	
		•	• ¹⁾				•	CONE0212221210	CONE0112221210	
		•		• ¹			•	CONE0212221230	CONE0112221230	
		•				•	•	CONE0212221240	CONE0112221240	
		•						CONE0211221200	CONE0111221200	
		•	• ¹⁾					CONE0211221210	CONE0111221210	
		•		• ¹				CONE0211221230	CONE0111221230	
		•					•	CONE0211221240	CONE0111221240	
CNX	30 V/DC bus cabling to CNX central operating unit (see chapter accessories)	•				•	•	CONE0212221336	CONE0112221336	
		•			•	•	•	CONE0212221360	CONE0112221360	
		•					•	CONE0211221336	CONE0111221336	
		•			•	•		CONE0211221360	CONE0111221360	
Shower heads	See chapter shower heads	CONHEAD jet shower head GOLF							CONO010010	
		CONHEAD rain shower head RAIN2							CONO020010	
		CONHEAD rain shower head SHORTY							CONO030010	
		CONHEAD jet shower head VESUV							CONO060010	
		CONHEAD jet shower head CITY							CONO050010	
		CONHEAD hand shower set					CONO040010			

CONSMART shower panel AVW, thermostat, piezo switch, DN15

Showers
electronic



CONSMART shower panel AVW, thermostat, piezo switch, DN15

Electronic shower faucet designed as shower panel in nominal diameter DN15. With thermostatic mixing device for connection to cold and hot water. Application in new construction building and renovation in commercial, semi-public and public sanitary facilities.

- AVW shower panel. Model with two wall brackets, including mounting material
- Cover 2K-acrylic composite material, dimensions (HxWxD): 1410x220x85 mm, break-proof and impact resistant, very easy to clean
- Wall bracket made of stainless steel 1.4301
- Multifunction tool for maintenance work
- Water path CONSMART with solenoid valve 6 V/DC ROBUST, bistable
- Water path: dezincification resistant forged brass, as a high-quality thermostatic mixer, thermostat handle: chromed brass
- Visible components made of solid, chromed brass, with safety stop
- Choice of temperature setting range
- Integrated check valve in the bypass and check valve and strainer cartridges for water inlets
- Some of the functional parts can be dismantled during maintenance work without removing the valve body
- Electronic operation of the shower function via piezo switch with start/stop function, piezo switch: colour ring red, rosette chrome plated
- The water flow time of the shower function is easily adjustable in electronic showers

Battery: 6V Lithium waterproof encased, lifetime up to 4 years
 Mains: Power supply over 12 V/DC power supply for surface-mounted version in installation box or for DIN top-hat rail mounting
 Mains (CNX): Power supply over 30 V/DC power supply in the control panels 64 and 150

Cover versions:
 With or without seamlessly integrated soap dish.

Hygienic flush (mains/battery):
 Hygienic flush (electronic): the hygienic flush can be carried out in electronic showers by programming via the piezo switch, the Service Monitor or the Service APP per shower; 12, 24 or 72 h, deactivatable; factory setting: 30 s water flush after 12 h of last water flow activation.

Hygienic flush key switch (mains/battery):
 The hygienic flush can be carried out in electronic showers by programming via the piezo switch, the Service Monitor or the Service APP per shower and can be triggered directly by actuating a key switch; 12, 24 or 72 h, deactivatable; factory setting: 30 s water flush after 12 h of last water flow activation.

Thermal disinfection (mains):
 The thermal disinfection in an electronic shower with an installed second bistable solenoid valve 6 V/DC DN15 can be triggered by actuating a key switch.

Cleaning stop (mains/battery):
 The cleaning stop can be activated in electronic showers by positioning a magnet - RC Switch, on the cover respectively cover plate. Shower function via actuation of the piezo switch is interrupted for the time the magnet is positioned there.

Water flow time CNX:
 The water flow time of the shower function can be set and disabled for electronic showers, integrated into the CNX Water Management System, through the software parameter settings per shower or shower group; setting range: 0-180 s, factory setting: 30 s.

Hygienic flush CNX:
 The hygienic flush can be set and disabled for electronic showers, integrated into the CNX Water Management System, by the software parameter settings per shower or shower group as interval or calendar function. Factory setting: 30 s water flush after 12 h of last water flow activation.

Thermal disinfection CNX:
 The thermal disinfection can be set as a calendar function in electronic showers, integrated into the CNX Water Management System, by the software parameter settings per shower group.






Cleaning stop CNX:
 The operation stop (cleaning stop), interruption of the shower function, can be set in electronic showers, integrated into the CNX Water Management System, by the software parameter settings per shower or shower group as a calendar function.

CNX Water Management System:
 Integration of the shower into the software-controlled Water Management System for the automatic depiction of hygiene, system and safety functions of electronic showers, lavatory faucets and urinal flush valves at the BUS level. Parametrisation of individual devices and device groups. Tamper-proof documentation of all operating, action and function messages.

CONSMART shower panel AVW, thermostat, piezo switch, DN15

Showers electronic

<p>Technical data: Operating voltage (battery): 6 V/DC Operating voltage (mains): 12 V/DC Operating voltage (CNX): 30 V/DC Operating pressure: 1,5-5,0 bar Water temp. standard operation (max.): 70 °C Water temp. thermal disinfection: Short-term for therm. disinfection 80 °C Flow rate DN15: 0,15 l/s (flow rate regulator) Flow rate during thermal disinfection DN15: 0,05 l/s (flow rate regulator) Water flow time setting range: 3-180 s Water flow time factory setting: 30 s Hygienic flush setting range: 12, 24 or 72 h, can be deactivated via setting on piezo switch, other hygienic flush intervals can be set via Service Monitor Hygienic flush factory setting: 12 h after last water flow activation, 30 s water flush time Electronic protection type: IP68</p>	<p>Required accessories: Shower head, hand shower set, central mains power supply or CNX central operation unit</p> <p>¹⁾ Key switch for hygienic flush or thermal disinfection (see chapter accessories)</p> <p>Optional accessories: Cover extension Manual TD plug for thermal disinfection (see chapter accessories)</p> <p>Note: For the water path CNX with thermal disinfection, the temperature sensor is already included in the scope of delivery.</p>
---------------------------------------------------------------------------------------------------------------------------------------------------------------------------------------------------------------------------------------------------------------------------------------------------------------------------------------------------------------------------------------------------------------------------------------------------------------------------------------------------------------------------------------------------------------------------------------------------------------------------------------------------------------------------------------------------------------------------------------------------------------------------------------------------------------------------------------------------------------------------------------------------------------------------------------------------------------------------------------------------------------------------------------------------------------------------------	--------------------------------------------------------------------------------------------------------------------------------------------------------------------------------------------------------------------------------------------------------------------------------------------------------------------------------------------------------------------------------------------------------------------------------------------------------------------------------------------------------------------------------------------------------------------------------------

										
Version	Power supply	Hygienic flush	Hygienic flush key switch	Therm. disinfection (electronic)	Thermal disinfection CNX	Cleaning stop	Integrated shelf	Article number for version hand shower	Article number for version shower head	
Battery	6 V/DC Lithium battery waterproof encased	•					•	CONE0232221100	CONE0132221100	
		•				•	•	CONE0232221140	CONE0132221140	
		•					•	CONE0231221100	CONE0131221100	
		•					•	CONE0231221140	CONE0131221140	
Mains	12 V/DC series wiring to connect to central mains power supply (see chapter accessories)	•					•	CONE0232221200	CONE0132221200	
		•	• ¹⁾				•	CONE0232221210	CONE0132221210	
		•		•			•	CONE0232221230	CONE0132221230	
		•				•	•	CONE0232221240	CONE0132221240	
		•						CONE0231221200	CONE0131221200	
		•	• ¹⁾					CONE0231221210	CONE0131221210	
		•		•				CONE0231221230	CONE0131221230	
		•				•		CONE0231221240	CONE0131221240	
CNX	30 V/DC bus cabling to CNX central operating unit (see chapter accessories)	•				•	•	CONE0232221336	CONE0132221336	
		•			•	•	•	CONE0232221360	CONE0132221360	
		•				•		CONE0231221336	CONE0131221336	
		•			•	•		CONE0231221360	CONE0131221360	
Shower heads	See chapter shower heads	CONHEAD jet shower head GOLF							CONO010010	
		CONHEAD rain shower head RAIN2							CONO020010	
		CONHEAD rain shower head SHORTY							CONO030010	
		CONHEAD jet shower head VESUV							CONO060010	
		CONHEAD jet shower head CITY							CONO050010	
		CONHEAD hand shower set							CONO040010	

CONBASE shower panel, piezo switch, DN15

Showers
electronic

NEW



CONBASE shower panel, stainless steel, piezo switch, DN15

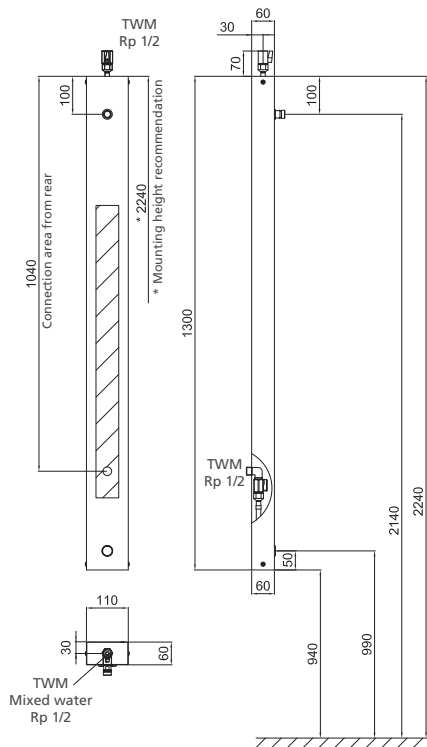
Electronic shower faucet designed as shower panel in nominal diameter DN15. For connection to premixed water. Application in new construction building and renovation in commercial, semi-public and public sanitary facilities.

- Cover and mounting angles made of stainless steel 1.4301
- All visible surfaces brushed stainless steel
- Dimensions: (WxHxD) 110x1370x60 mm
- Water line with solenoid valve 6 V/DC ROBUST, bistable, DN15
- Electronic operation of the shower function via piezo switch with start/stop function; Piezo switch: colour ring red, rosette high-gloss chrome-plated
- The water flow time of the shower function is easily adjustable for electronic showers
- Connection possible from above or from rear

Battery: 6 V lithium, waterproof encased; life up to 4 years
Mains: Power supply via 12 V/DC power supply unit






Hygienic flush (mains/battery):

Hygienic flush (electronic): the hygienic flush can be carried out in electronic showers by programming via piezo switch, Service Monitor or Service APP per shower; 12, 24 or 72 h, deactivatable; factory setting: 30 s water flush after 12 h of last water flow activation.



CONBASE shower panel, piezo switch, DN15

<p>Technical data: Operating voltage (Battery): 6 V/DC Operating voltage (mains): 12 V/DC Operating pressure: 1,5-5,0 bar Water temp. standard operation (max.): 70 °C Flow rate DN15: 0,15 l/s (flow rate regulator) Water flow time setting range: 3-180 s Water flow time factory setting: 30 s Hygienic flush setting range: 12, 24 oder 72 h, can be deactivated via setting on piezo switch, other hygienic flush intervals can be set via Service Monitor Hygienic flush factory setting: 12 h after last water flow activation, 30 s water flow time Electronic protection class: IP68</p>	<p>Required accessories: Shower head, hand shower set, central mains power supply unit</p>
---------------------------------------------------------------------------------------------------------------------------------------------------------------------------------------------------------------------------------------------------------------------------------------------------------------------------------------------------------------------------------------------------------------------------------------------------------------------------------------------------------------------------------------------------------------------------------------------------------------------------------------------------------------------------------------------------------------------------------------------	----------------------------------------------------------------------------------------------------------------

							
Version	Power supply	Hygienic flush	Hygienic flush key switch	Therm. disinfection (electronic)	Thermal disinfection CNX	Cleaning stop	Article number for version shower head
Battery	6 V/DC Lithium battery waterproof encased	•					CONE0110173100
Mains	12 V/DC series wiring to connect to central mains power supply (see chapter accessories)	•					CONE0110173200
Shower heads	See chapter shower heads	CONHEAD jet shower head GOLF					CONO010010
		CONHEAD rain shower head RAIN2					CONO020010
		CONHEAD rain shower head SHORTY					CONO030010
		CONHEAD jet shower head VESUV					CONO060010
		CONHEAD jet shower head CITY					CONO050010

CONCASH 2.0 shower panel stainless steel, thermostat, piezo switch, DN15

Showers
electronic

NEW



CONCASH 2.0 shower panel stainless steel, thermostat, piezo switch, DN15, mains, paid water release

Electronic shower faucet for electronically controlled paid water release. Designed as shower panel in nominal diameter DN15. With thermostatic mixing device for connection to cold and hot water. Application in new construction building and renovation in commercial, semi-public and public sanitary facilities.

- Stainless steel shower panel. Model with two wall brackets, including mounting material
- Cover and wall bracket made of stainless steel 1.4301
- All visible surfaces made of brushed stainless steel, dimensions (HxWxD): 1400x220x80 mm
- Multifunction tool for maintenance work
- Adaptive multifunctional water path CONGENIAL with solenoid valve 6 V/DC ROBUST, bistable
- Upgrade and retrofitting functions
- Water path: dezincification resistant forged brass, as a high-quality thermostatic mixer, thermostat handle: chromed brass
- Visible components made of solid, chromed brass, with safety stop
- Choice of temperature setting range
- Integrated check valve in the bypass and check valve and strainer cartridges for water inlets
- All functional parts can be dismantled from the front during maintenance work without removing the valve body
- Electronic operation of the shower function via piezo switch after release by coin validator

Mains: Power supply over 24 V/DC power supply for surface-mounted version in installation box or for DIN top-hat rail mounting

Cover versions:

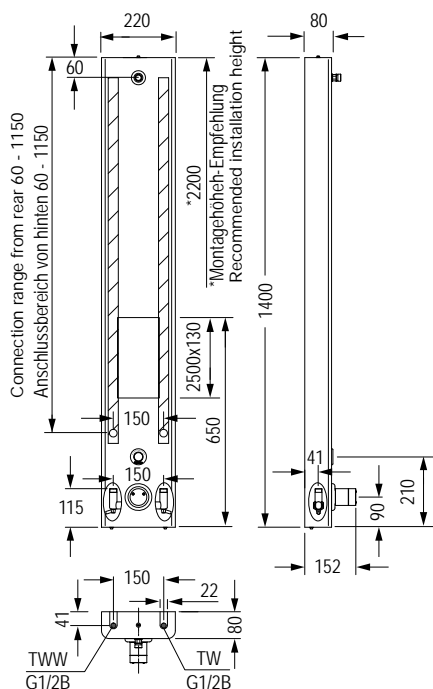
With or without seamlessly integrated soap dish.

Hygienic flush (mains):

Hygienic flush (electronic): the hygienic flush is carried out by CONCASH showers through programming via the coin validator.





Paid water release:

The water flow time and payment parameters can be accessed via the coin validator.



CONCASH 2.0 shower panel stainless steel, thermostat, piezo switch, DN15

<p>Technical data: Operating voltage (mains): 24 V/DC Operating pressure: 1,5-5,0 bar Water temp. standard operation (max.): 70 °C Flow rate DN15: 0,15 l/s (flow rate regulator) Water flow time setting range (max.): 1000 min Hygienic flush setting range: 0-240 s Electronic protection type: IP68</p>	<p>Required accessories: Shower head, hand shower set, central mains power supply CONCASH 2.0 coin validator</p> <p>Optional accessories: Connection set Cover extension Tokens</p>
---------------------------------------------------------------------------------------------------------------------------------------------------------------------------------------------------------------------------------------------------------------------------------------------------------------------------------------------------------------------------------------------------------------	---------------------------------------------------------------------------------------------------------------------------------------------------------------------------------------------------------------------------------------------------------------------------------

									
Version	Power supply	Hygienic flush	Hygienic flush key switch	Therm. disinfection (electronic)	Paid water release	Integrated shelf	Article number for version hand shower	Article number for version shower head	
Mains	12 V/DC series wiring to connect to central mains power supply (see accessories)	•			•		CONE0811211270	CONE0711211270	
		•			•	•	CONE0812211270	CONE0712211270	
Shower heads	See chapter shower heads	CONHEAD jet shower head GOLF							CONO010010
		CONHEAD rain shower head RAIN2							CONO020010
		CONHEAD rain shower head SHORTY							CONO030010
		CONHEAD jet shower head VESUV							CONO060010
		CONHEAD jet shower head CITY							CONO050010
		CONHEAD hand shower set					CONO040010		

CONCASH 2.0 shower panel AVW, thermostat, piezo switch, DN15

Showers
electronic

NEW



CONCASH 2.0 shower panel AVW, thermostat, piezo switch, DN15, mains, paid water release

Electronic shower faucet for electronically controlled paid water release. Designed as shower panel in nominal diameter DN15. With thermostatic mixing device for connection to cold and hot water. Application in new construction building and renovation in commercial, semi-public and public sanitary facilities.

- AVW shower panel. Model with wall brackets for mounting the water path, including mounting material
- Cover 2K-acrylic composite material, dimensions (HxWxD): 1410x220x85 mm, break-proof and impact resistant, very easy to clean
- Wall bracket made of stainless steel 1.4301
- Multifunction tool for maintenance work
- Adaptive multifunctional water path CONGENIAL with solenoid valve 6 V/DC ROBUST, bistable
- Upgrade and retrofitting functions
- Water path: dezincification resistant forged brass, as a high-quality thermostatic mixer, thermostat handle: chromed brass
- Visible components made of solid, chromed brass, with safety stop
- Choice of temperature setting range
- Integrated check valve in the bypass and check valve and strainer cartridges for water inlets
- All functional parts can be dismantled from the front during maintenance work without removing the valve body
- Electronic operation of the shower function via piezo switch after release by coin validator

Mains: Power supply over 24 V/DC power supply for surface-mounted version in installation box or for DIN top-hat rail mounting

Cover versions:

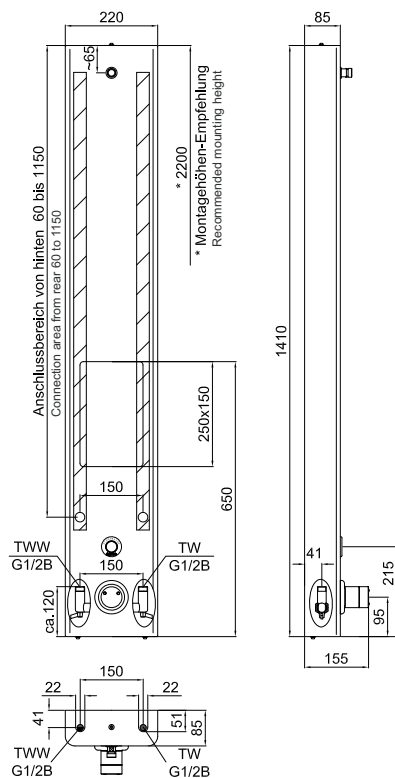
With or without seamlessly integrated soap dish.

Hygienic flush (mains):

Hygienic flush (electronic): the hygienic flush is carried out by CONCASH showers through programming via the coin validator.





Paid water release:

The water flow time and payment parameters can be accessed via the coin validator.



CONCASH 2.0 shower panel AVW, thermostat, piezo switch, DN15

<p>Technical data: Operating voltage (mains): 24 V/DC Operating pressure: 1,5-5,0 bar Water temp. standard operation (max.): 70 °C Flow rate DN15: 0,15 l/s (flow rate regulator) Water flow time setting range (max.): 1000 min Hygienic flush setting range: 0-240 s Electronic protection type: IP68</p>	<p>Required accessories: Shower head, hand shower set, central mains power supply CONCASH 2.0 coin validator</p> <p>Optional accessories: Connection set Cover extension Tokens</p>
---------------------------------------------------------------------------------------------------------------------------------------------------------------------------------------------------------------------------------------------------------------------------------------------------------------------------------------------------------------------------------------------------------------	---------------------------------------------------------------------------------------------------------------------------------------------------------------------------------------------------------------------------------------------------------------------------------

									
Version	Power supply	Hygienic flush	Hygienic flush key switch	Therm. disinfection (electronic)	Paid water release	Integrated shelf	Article number for version hand shower	Article number for version shower head	
Mains	12 V/DC series wiring to connect to central mains power supply (see accessories)	•			•		CONE0831211270	CONE0731211270	
		•			•	•	CONE0832211270	CONE0732211270	
Shower heads	See chapter shower heads	CONHEAD jet shower head GOLF							CONO010010
		CONHEAD rain shower head RAIN2							CONO020010
		CONHEAD rain shower head SHORTY							CONO030010
		CONHEAD jet shower head VESUV							CONO060010
		CONHEAD jet shower head CITY							CONO050010
		CONHEAD hand shower set						CONO040010	

CONGENIAL concealed shower, stainless steel, round, thermostat, piezo switch, DN15



CONGENIAL concealed shower, stainless steel, round, thermostat, piezo switch, DN15 - final assembly kit

Final assembly kit for electronic shower, device designed as concealed shower in nominal diameter DN15. With thermostatic mixing device for connection to cold and hot water. Application in new construction building and renovation in commercial, semi-public and public sanitary facilities.

- Concealed shower final assembly kit with round cover plate
- Concealed mounting, robust quadruple lock, multi sealing system with drainage system for condensation
- Cover plate: stainless steel 1.4301, all visible surfaces made of brushed stainless steel, dimensions (ØxD): 260x12 mm
- Support frame for cover plate: ABS with EPDM lip seal
- Implementing functional elements and thermostat incl. EPDM sealing rings
- Multifunction tool for maintenance work
- Adaptive multifunctional water path CONGENIAL with solenoid valve 6 V/DC ROBUST, bistable
- Upgrade and retrofitting functions
- Water path: dezincification resistant forged brass, as a high-quality thermostatic mixer thermostat handle: chromed brass
- Visible components made of solid, chromed brass, with safety stop
- Choice of temperature setting range
- Integrated check valve in the bypass and check valve and strainer cartridges for water inlets
- All functional parts can be disassembled during maintenance work without removing the valve body
- Electronic operation of the shower function via piezo switch with start/stop function, piezo switch: colour ring red, rosette chrome plated
- The water flow time of the shower function is easily adjustable in electronic showers

Battery: 6V Lithium waterproof encased, lifetime up to 4 years
 Mains: Power supply over 12 V/DC power supply for surface-mounted version in installation box or for DIN top-hat rail mounting
 Mains (CNX): Power supply over 30 V/DC power supply in the control panels 64 and 150

Hygienic flush (mains/battery):

Hygienic flush (electronic): the hygienic flush can be carried out in electronic showers by programming via the piezo switch, the Service Monitor or the Service APP per shower; 12, 24 or 72 h, deactivatable; factory setting: 30 s water flush after 12 h of last water flow activation.

Hygienic flush key switch (mains/battery):

The hygienic flush can be carried out in electronic showers by programming via the piezo switch, the Service Monitor or the Service APP per shower and can be triggered directly by actuating a key switch; 12, 24 or 72 h, deactivatable; factory setting: 30 s water flush after 12 h of last water flow activation.

Thermal disinfection (mains):

The thermal disinfection in an electronic shower with an installed second bistable solenoid valve 6 V/DC DN15 can be triggered by actuating a key switch.

Cleaning stop (mains/battery):

The cleaning stop can be activated in electronic showers by positioning a magnet - RC Switch, on the cover respectively cover plate. Shower function via actuation of the piezo switch is interrupted for the time the magnet is positioned there.

Water flow time CNX:

The water flow time of the shower function can be set and disabled for electronic showers, integrated into the CNX Water Management System, through the software parameter settings per shower or shower group; setting range: 0-180 s, factory setting: 30 s.

Hygienic flush CNX:

The hygienic flush can be set and disabled for electronic showers, integrated into the CNX Water Management System, by the software parameter settings per shower or shower group as interval or calendar function. Factory setting: 30 s water flush after 12 h of last water flow activation.

Thermal disinfection CNX:

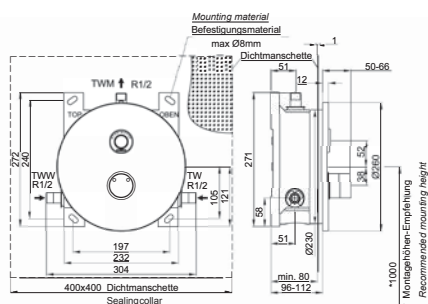
The thermal disinfection can be set as a calendar function in electronic showers, integrated into the CNX Water Management System, by the software parameter settings per shower group.

Cleaning stop CNX:

The operation stop (cleaning stop), interruption of the shower function, can be set in electronic showers, integrated into the CNX Water Management System, by the software parameter settings per shower or shower group as a calendar function.

CNX Water Management System:






Integration of the shower into the software-controlled Water Management System for the automatic depiction of hygiene, system and safety functions of electronic showers, lavatory faucets and urinal flush valves at the BUS level. Parametrisation of individual devices and device groups. Tamper-proof documentation of all operating, action and function messages.



CONGENIAL concealed shower, stainless steel, round, thermostat, piezo switch, DN15

Showers
electronic

<p>Technical data: Operating voltage (battery): 6 V/DC Operating voltage (mains): 12 V/DC Operating voltage (CNX): 30 V/DC Operating pressure: 1,5-5,0 bar Water temp. standard operation (max.): 70 °C Water temp. thermal disinfection: Short-term for therm. disinfection 80 °C Flow rate DN15: 0,15 l/s (flow rate regulator) Flow rate during thermal disinfection DN15: 0,05 l/s (flow rate regulator) Water flow time setting range: 3-180 s Water flow time factory setting: 30 s Hygienic flush setting range: 12, 24 or 72 h, can be deactivated via setting on piezo switch, other hygienic flush intervals can be set via Service Monitor Hygienic flush factory setting: 12 h after last water flow activation, 30 s water flow time Electronic protection type: IP68</p>	<p>Required accessories: CONR0112 raw mounting set, alternatively CONR1112, shower head, hand shower set, central mains power supply or CNX central operation unit ¹⁾ Key switch for hygienic flush or thermal disinfection (see chapter accessories) Optional accessories: Manual TD plug for thermal disinfection (see chapter accessories) Note: For the water path CNX with thermal disinfection, the temperature sensor is already included in the scope of delivery.</p>
--------------------------------------------------------------------------------------------------------------------------------------------------------------------------------------------------------------------------------------------------------------------------------------------------------------------------------------------------------------------------------------------------------------------------------------------------------------------------------------------------------------------------------------------------------------------------------------------------------------------------------------------------------------------------------------------------------------------------------------------------------------------------------------------------------------------------------------------------------------------------------------------------------------------------------------------------------------------------------------------------------------------------------------------------------------------------------	-------------------------------------------------------------------------------------------------------------------------------------------------------------------------------------------------------------------------------------------------------------------------------------------------------------------------------------------------------------------------------------------------------------------------------------------------------------------------------------------------------------------------------------------------------------------------------------------------------------

							
Version	Power supply	Hygienic flush	Hygienic flush key switch	Therm. disinfection (electronic)	Thermal disinfection CNX	Cleaning stop	Article number
Battery	6 V/DC Lithium battery waterproof encased	•					CONE2113211100
		•				•	CONE2113211140
Mains	12 V/DC series wiring to connect to central mains power supply (see chapter accessories)	•					CONE2113211200
		•	• ¹⁾				CONE2113211210
		•		• ¹⁾			CONE2113211230
		•				•	CONE2113211240
CNX	30 V/DC bus cabling to CNX central operating unit (see chapter accessories)	•				•	CONE2113211336
		•			•	•	CONE2113211360
Shower heads	See chapter shower heads	CONHEAD jet shower head GOLF					CONO010000
		CONHEAD rain shower head RAIN2					CONO020000
		CONHEAD rain shower head SHORTY					CONO030000
		CONHEAD jet shower head VESUV					CONO060000
		CONHEAD jet shower head CITY					CONO050000
		CONHEAD hand shower set					CONO040000

CONGENIAL concealed shower, stainless steel, square, thermostat, piezo switch, DN15

Showers
electronic



CONGENIAL concealed shower, stainless steel, square, thermostat, Piezo, DN15 - final assembly kit

Final assembly kit for electronic shower, device designed as concealed shower in nominal diameter DN15. With thermostatic mixing device for connection to cold and hot water. Application in new construction building and renovation in commercial, semi-public and public sanitary facilities.

- Concealed shower final assembly kit with square cover plate
- Concealed mounting, robust quadruple lock, multi sealing system with drainage system for condensation
- Cover plate: stainless steel 1.4301, all visible surfaces made of brushed stainless steel, dimensions (HxVxD): 290x260x12 mm
- Support frame for cover plate: ABS with EPDM lip seal
- Implementing functional elements and thermostat incl. EPDM sealing rings
- Multifunction tool for maintenance work
- Adaptive multifunctional water path CONGENIAL with solenoid valve 6 V/DC ROBUST, bistable
- Upgrade and retrofitting functions
- Water path: dezincification resistant forged brass, as a high-quality thermostatic mixer, thermostat handle: chromed brass
- Visible components made of solid, chromed brass, with safety stop
- Choice of temperature setting range
- Integrated check valve in the bypass and check valve and strainer cartridges for water inlets
- All functional parts can be disassembled during maintenance work without removing the valve body
- Electronic operation of the shower function via piezo switch with start/stop function, piezo switch: colour ring red, rosette chrome plated
- The water flow time of the shower function is easily adjustable in electronic showers

Battery: 6V Lithium waterproof encased, lifetime up to 4 years
 Mains: Power supply over 12 V/DC power supply for surface-mounted version in installation box or for DIN top-hat rail mounting
 Mains (CNX): Power supply over 30 V/DC power supply in the control panels 64 and 150

Hygienic flush (mains/battery):

Hygienic flush (electronic): the hygienic flush can be carried out in electronic showers by programming via the piezo switch, the Service Monitor or the Service APP per shower; 12, 24 or 72 h, deactivatable; factory setting: 30 s water flush after 12 h of last water flow activation.

Hygienic flush key switch (mains/battery):

The hygienic flush can be carried out in electronic showers by programming via the piezo switch, the Service Monitor or the Service APP per shower and can be triggered directly by actuating a key switch; 12, 24 or 72 h, deactivatable; factory setting: 30 s water flush after 12 h of last water flow activation.

Thermal disinfection (mains):

The thermal disinfection in an electronic shower with an installed second bistable solenoid valve 6 V/DC DN15 can be triggered by actuating a key switch.

Cleaning stop (mains/battery):

The cleaning stop can be activated in electronic showers by positioning a magnet - RC Switch, on the cover respectively cover plate. Shower function via actuation of the piezo switch is interrupted for the time the magnet is positioned there.

Water flow time CNX:

The water flow time of the shower function can be set and disabled for electronic showers, integrated into the CNX Water Management System, through the software parameter settings per shower or shower group; setting range: 0-180 s, factory setting: 30 s.

Hygienic flush CNX:

The hygienic flush can be set and disabled for electronic showers, integrated into the CNX Water Management System, by the software parameter settings per shower or shower group as interval or calendar function. Factory setting: 30 s water flush after 12 h of last water flow activation.

Thermal disinfection CNX:

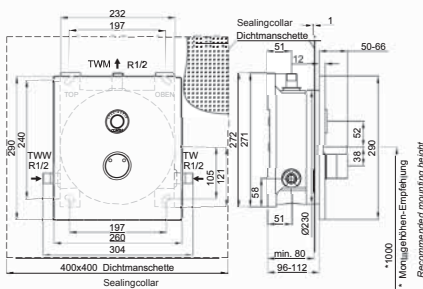
The thermal disinfection can be set as a calendar function in electronic showers, integrated into the CNX Water Management System, by the software parameter settings per shower group.

Cleaning stop CNX:






The operation stop (cleaning stop), interruption of the shower function, can be set in electronic showers, integrated into the CNX Water Management System, by the software parameter settings per shower or shower group as a calendar function.

CNX Water Management System:

Integration of the shower into the software-controlled Water Management System for the automatic depiction of hygiene, system and safety functions of electronic showers, lavatory faucets and urinal flush valves at the BUS level. Parametrisation of individual devices and device groups. Tamper-proof documentation of all operating, action and function messages.



CONGENIAL concealed shower, stainless steel, square, thermostat, piezo switch, DN15

<p>Technical data: Operating voltage (battery): 6 V/DC Operating voltage (mains): 12 V/DC Operating voltage (CNX): 30 V/DC Operating pressure: 1,5-5,0 bar Water temp. standard operation (max.): 70 °C Water temp. thermal disinfection: Short-term for therm. disinfection 80 °C Flow rate DN15: 0,15 l/s (flow rate regulator) Flow rate during thermal disinfection DN15: 0,05 l/s (flow rate regulator) Water flow time setting range: 3-180 s Water flow time factory setting: 30 s Hygienic flush setting range: 12, 24 or 72 h, can be deactivated via setting on piezo switch, other hygienic flush intervals can be set via Service Monitor Hygienic flush factory setting: 12 h after last water flow activation, 30 s water flow time Electronic protection type: IP68</p>		<p>Required accessories: CONR0112 raw mounting set, alternatively CONR1112, shower head, hand shower set, central mains power supply or CNX central operation unit ¹⁾ Key switch for hygienic flush or thermal disinfection (see chapter accessories)</p> <p>Optional accessories: Manual TD plug for thermal disinfection (see chapter accessories)</p> <p>Note: For the water path CNX with thermal disinfection, the temperature sensor is already included in the scope of delivery.</p>					
		    					
Version	Power supply	Hygienic flush	Hygienic flush key switch	Therm. disinfection (electronic)	Thermal disinfection CNX	Cleaning stop	Article number
Battery	6 V/DC Lithium battery waterproof encased	•					CONE2115211100
		•				•	CONE2115211140
Mains	12 V/DC series wiring to connect to central mains power supply (see chapter accessories)	•					CONE2115211200
		•	• ¹⁾				CONE2115211210
		•		• ¹⁾			CONE2115211230
		•				•	CONE2115211240
CNX	30 V/DC bus cabling to CNX central operating unit (see chapter accessories)	•				•	CONE2115211336
		•			•	•	CONE2115211360
Shower heads	See chapter shower heads	CONHEAD jet shower head GOLF					CONO010000
		CONHEAD rain shower head RAIN2					CONO020000
		CONHEAD rain shower head SHORTY					CONO030000
		CONHEAD jet shower head VESUV					CONO060000
		CONHEAD jet shower head CITY					CONO050000
		CONHEAD hand shower set					CONO040000

CONGENIAL FIT concealed shower, stainless steel, round, thermostat, piezo switch, DN15

Showers
electronic



CONGENIAL FIT concealed shower, stainless steel, round, thermostat, piezo switch, DN15 - final assembly kit

Final assembly kit for electronic shower, device designed as concealed shower in nominal diameter DN15. With thermostatic mixing device for connection to cold and hot water. Application in new construction building and renovation in commercial, semi-public and public sanitary facilities.

- Concealed shower final assembly kit with round cover plate
- Concealed mounting, robust double lock, multi sealing system with drainage system for condensation
- Cover plate: stainless steel 1.4301, all visible surfaces made of brushed stainless steel, dimensions (ØxD): 260x12 mm
- Support frame for cover plate
- Implementing functional elements and thermostat incl. EPDM sealing rings
- Multifunction tool for maintenance work
- Adaptive multifunctional water path CONGENIAL FIT with solenoid valve 6 V/DC ROBUST, bistable
- Upgrade and retrofitting functions
- Water path: dezincification resistant forged brass, as a high-quality thermostatic mixer, thermostat handle: chromed brass
- Visible components made of solid, chromed brass, with safety stop
- Choice of temperature setting range
- Integrated check valve in the bypass and check valve and strainer cartridges for water inlets
- All functional parts can be disassembled during maintenance work without removing the valve body
- Electronic operation of the shower function via piezo switch with start/stop function, piezo switch: colour ring red, rosette chrome plated
- The water flow time of the shower function is easily adjustable in electronic showers

Battery: 6V Lithium waterproof encased, lifetime up to 4 years
 Mains: Power supply over 12 V/DC power supply for surface-mounted version in installation box or for DIN top-hat rail mounting
 Mains (CNX): Power supply over 30 V/DC power supply in the control panels 64 and 150

Hygienic flush (mains/battery):

Hygienic flush (electronic): the hygienic flush can be carried out in electronic showers by programming via the piezo switch, the Service Monitor or the Service APP per shower; 12, 24 or 72 h, deactivatable; factory setting: 30 s water flush after 12 h of last water flow activation.

Hygienic flush key switch (mains/battery):

The hygienic flush can be carried out in electronic showers by programming via the piezo switch, the Service Monitor or the Service APP per shower and can be triggered directly by actuating a key switch; 12, 24 or 72 h, deactivatable; factory setting: 30 s water flush after 12 h of last water flow activation.

Thermal disinfection (mains):

The thermal disinfection in an electronic shower with an installed second bistable solenoid valve 6 V/DC DN15 can be triggered by actuating a key switch.

Cleaning stop (mains/battery):

The cleaning stop can be activated in electronic showers by positioning a magnet - RC Switch, on the cover respectively cover plate. Shower function via actuation of the piezo switch is interrupted for the time the magnet is positioned there.

Water flow time CNX:

The water flow time of the shower function can be set and disabled for electronic showers, integrated into the CNX Water Management System, through the software parameter settings per shower or shower group; setting range: 0-180 s, factory setting: 30 s.

Hygienic flush CNX:

The hygienic flush can be set and disabled for electronic showers, integrated into the CNX Water Management System, by the software parameter settings per shower or shower group as interval or calendar function. Factory setting: 30 s water flush after 12 h of last water flow activation.

Thermal disinfection CNX:

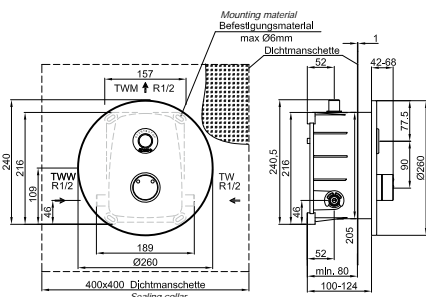
The thermal disinfection can be set as a calendar function in electronic showers, integrated into the CNX Water Management System, by the software parameter settings per shower group.

Cleaning stop CNX:

The operation stop (cleaning stop), interruption of the shower function, can be set in electronic showers, integrated into the CNX Water Management System, by the software parameter settings per shower or shower group as a calendar function.






CNX Water Management System:

Integration of the shower into the software-controlled Water Management System for the automatic depiction of hygienic, system and safety functions of electronic showers, lavatory faucets and urinal flush valves at the BUS level. Parametrisation of individual devices and device groups. Tamper-proof documentation of all operating, action and function messages.



CONGENIAL FIT concealed shower, stainless steel, round, thermostat, piezo switch, DN15

<p>Technical data: Operating voltage (battery): 6 V/DC Operating voltage (mains): 12 V/DC Operating voltage (CNX): 30 V/DC Operating pressure: 1,5-5,0 bar Water temp. standard operation (max.): 70 °C Water temp. thermal disinfection: Short-term for therm. disinfection 80 °C Flow rate DN15: 0,15 l/s (flow rate regulator) Flow rate during thermal disinfection DN15: 0,05 l/s (flow rate regulator) Water flow time setting range: 3-180 s Water flow time factory setting: 30 s Hygienic flush setting range: 12, 24 or 72 h, can be deactivated via setting on piezo switch, other hygienic flush intervals can be set via Service Monitor Hygienic flush factory setting: 12 h after last water flow activation, 30 s water flow time Electronic protection type: IP68</p>	<p>Required accessories: CONR21 12 raw mounting set, shower head, hand shower set, central mains power supply or CNX central operation unit ¹⁾ Key switch for hygienic flush or thermal disinfection (see chapter accessories) Optional accessories: Manual TD plug for thermal disinfection (see chapter accessories) Note: For the water path CNX with thermal disinfection, the temperature sensor is already included in the scope of delivery.</p>
--------------------------------------------------------------------------------------------------------------------------------------------------------------------------------------------------------------------------------------------------------------------------------------------------------------------------------------------------------------------------------------------------------------------------------------------------------------------------------------------------------------------------------------------------------------------------------------------------------------------------------------------------------------------------------------------------------------------------------------------------------------------------------------------------------------------------------------------------------------------------------------------------------------------------------------------------------------------------------------------------------------------------------------------------------------------------------	-----------------------------------------------------------------------------------------------------------------------------------------------------------------------------------------------------------------------------------------------------------------------------------------------------------------------------------------------------------------------------------------------------------------------------------------------------------------------------------------------------------------------------------------------------------------------

							
Version	Power supply	Hygienic flush	Hygienic flush key switch	Therm. disinfection (electronic)	Thermal disinfection CNX	Cleaning stop	Article number
Battery	6 V/DC Lithium battery waterproof encased	•					CONE2114211100
		•				•	CONE2114211140
Mains	12 V/DC series wiring to connect to central mains power supply (see chapter accessories)	•					CONE2114211200
		•	• ¹⁾				CONE2114211210
		•		• ¹⁾			CONE2114211230
		•				•	CONE2114211240
CNX	30 V/DC bus cabling to CNX central operating unit (see chapter accessories)	•				•	CONE2114211336
		•			•	•	CONE2114211360
Shower heads	See chapter shower heads	CONHEAD jet shower head GOLF					CONO010000
		CONHEAD rain shower head RAIN2					CONO020000
		CONHEAD rain shower head SHORTY					CONO030000
		CONHEAD jet shower head VESUV					CONO060000
		CONHEAD jet shower head CITY					CONO050000
		CONHEAD hand shower set					CONO040000

CONGENIAL FIT concealed shower, chromed, round, thermostat, piezo switch, DN15

Showers
electronic



CONGENIAL FIT concealed shower, chromed, round, thermostat, piezo switch, DN15 - final assembly kit

Final assembly kit for electronic shower, device designed as concealed shower in nominal diameter DN15. With thermostatic mixing device for connection to cold and hot water. Application in new construction building and renovation in commercial, semi-public and public sanitary facilities.

- Concealed shower final assembly kit with round cover plate
- Concealed mounting, robust double lock, multi sealing system with drainage system for condensation
- Cover plate: stainless steel 1.4301, all visible surfaces made of stainless steel, chromed, dimensions (ØxD): 260x12 mm
- Support frame for cover plate
- Implementing functional elements and thermostat incl. EPDM sealing rings
- Multifunction tool for maintenance work
- Adaptive multifunctional water path CONGENIAL FIT with solenoid valve 6 V/DC ROBUST, bistable
- Upgrade and retrofitting functions
- Water path: dezincification resistant forged brass, as a high-quality thermostatic mixer, thermostat handle: chromed brass
- Visible components made of solid, chromed brass, with safety stop
- Choice of temperature setting range
- Integrated check valve in the bypass and check valve and strainer cartridges for water inlets
- All functional parts can be disassembled during maintenance work without removing the valve body
- Electronic operation of the shower function via piezo switch with start/stop function, piezo switch: colour ring red, rosette chrome plated
- The water flow time of the shower function is easily adjustable in electronic showers

Battery: 6V Lithium waterproof encased, lifetime up to 4 years
 Mains: Power supply over 12 V/DC power supply for surface-mounted version in installation box or for DIN top-hat rail mounting
 Mains (CNX): Power supply over 30 V/DC power supply in the control panels 64 and 150

Hygienic flush (mains/battery):

Hygienic flush (electronic): the hygienic flush can be carried out in electronic showers by programming via the piezo switch, the Service Monitor or the Service APP per shower; 12, 24 or 72 h, deactivatable; factory setting: 30 s water flush after 12 h of last water flow activation.

Hygienic flush key switch (mains/battery):

The hygienic flush can be carried out in electronic showers by programming via the piezo switch, the Service Monitor or the Service APP per shower and can be triggered directly by actuating a key switch; 12, 24 or 72 h, deactivatable; factory setting: 30 s water flush after 12 h of last water flow activation.

Thermal disinfection (mains):

The thermal disinfection in an electronic shower with an installed second bistable solenoid valve 6 V/DC DN15 can be triggered by actuating a key switch.

Cleaning stop (mains/battery):

The cleaning stop can be activated in electronic showers by positioning a magnet - RC Switch, on the cover respectively cover plate. Shower function via actuation of the piezo switch is interrupted for the time the magnet is positioned there.

Water flow time CNX:

The water flow time of the shower function can be set and disabled for electronic showers, integrated into the CNX Water Management System, through the software parameter settings per shower or shower group; setting range: 0-180 s, factory setting: 30 s.

Hygienic flush CNX:

The hygienic flush can be set and disabled for electronic showers, integrated into the CNX Water Management System, by the software parameter settings per shower or shower group as interval or calendar function. Factory setting: 30 s water flush after 12 h of last water flow activation.

Thermal disinfection CNX:

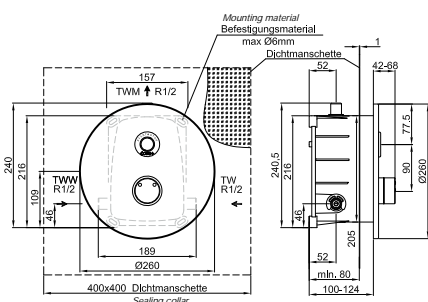
The thermal disinfection can be set as a calendar function in electronic showers, integrated into the CNX Water Management System, by the software parameter settings per shower group.

Cleaning stop CNX:






The operation stop (cleaning stop), interruption of the shower function, can be set in electronic showers, integrated into the CNX Water Management System, by the software parameter settings per shower or shower group as a calendar function.

CNX Water Management System:

Integration of the shower into the software-controlled Water Management System for the automatic depiction of hygiene, system and safety functions of electronic showers, lavatory faucets and urinal flush valves at the BUS level. Parametrisation of individual devices and device groups. Tamper-proof documentation of all operating, action and function messages.



CONGENIAL FIT concealed shower, chromed, round, thermostat, piezo switch, DN15

<p>Technical data: Operating voltage (battery): 6 V/DC Operating voltage (mains): 12 V/DC Operating voltage (CNX): 30 V/DC Operating pressure: 1,5-5,0 bar Water temp. standard operation (max.): 70 °C Water temp. thermal disinfection: Short-term for therm. disinfection 80 °C Flow rate DN15: 0,15 l/s (flow rate regulator) Flow rate during thermal disinfection DN15: 0,05 l/s (flow rate regulator) Water flow time setting range: 3-180 s Water flow time factory setting: 30 s Hygienic flush setting range: 12, 24 or 72 h, can be deactivated via setting on piezo switch, other hygienic flush intervals can be set via Service Monitor Hygienic flush factory setting: 12 h after last water flow activation, 30 s water flow time Electronic protection type: IP68</p>		<p>Required accessories: CONR21 12 raw mounting set, shower head, hand shower set, central mains power supply or CNX central operation unit ¹⁾ Key switch for hygienic flush or thermal disinfection (see chapter accessories) Optional accessories: Manual TD plug for thermal disinfection (see chapter accessories) Note: For the water path CNX with thermal disinfection, the temperature sensor is already included in the scope of delivery.</p>					
		    					
Version	Power supply	Hygienic flush	Hygienic flush key switch	Therm. disinfection (electronic)	Thermal disinfection CNX	Cleaning stop	Article number
Battery	6 V/DC Lithium battery waterproof encased	•					CONE2154211100
		•				•	CONE2154211140
Mains	12 V/DC series wiring to connect to central mains power supply (see chapter accessories)	•					CONE2154211200
		•	• ¹⁾				CONE2154211210
		•		• ¹⁾			CONE2154211230
		•				•	CONE2154211240
CNX	30 V/DC bus cabling to CNX central operating unit (see chapter accessories)	•				•	CONE2154211336
		•			•	•	CONE2154211360
Shower heads	See chapter shower heads	CONHEAD jet shower head GOLF					CONO010000
		CONHEAD rain shower head RAIN2					CONO020000
		CONHEAD rain shower head SHORTY					CONO030000
		CONHEAD jet shower head VESUV					CONO060000
		CONHEAD jet shower head CITY					CONO050000
		CONHEAD hand shower set					CONO040000

CONGENIAL FIT concealed shower, stainless steel, square, thermostat, piezo switch, DN15

Showers
electronic



CONGENIAL FIT concealed shower, stainless steel, square, thermostat, piezo switch, DN15 - final assembly kit

Final assembly kit for electronic shower device, designed as concealed shower in nominal diameter DN15. With thermostatic mixing device for connection to cold and hot water. Application in new construction building and renovation in commercial, semi-public and public sanitary facilities.

- Concealed shower final assembly kit with square cover plate
- Concealed mounting, robust double lock, multi sealing system with drainage system for condensation
- Cover plate: stainless steel 1.4301, all visible surfaces made of brushed stainless steel, dimensions (HxWxD): 225x170x10 mm
- Support frame for cover plate
- Implementing functional elements and thermostat incl. EPDM sealing rings
- Multifunction tool for maintenance work
- Adaptive multifunctional water path CONGENIAL FIT with solenoid valve 6 V/DC ROBUST, bistable
- Upgrade and retrofitting functions
- Water path: dezincification resistant forged brass, as a high-quality thermostatic mixer, thermostat handle: chromed brass
- Visible components made of solid, chromed brass, with safety stop
- Choice of temperature setting range
- Integrated check valve in the bypass and check valve and strainer cartridges for water inlets
- All functional parts can be disassembled during maintenance work without removing the valve body
- Electronic operation of the shower function via piezo switch with start/stop function, piezo switch: colour ring red, rosette chrome plated
- The water flow time of the shower function is easily adjustable in electronic showers

Battery: 6V Lithium waterproof encased, lifetime up to 4 years
 Mains: Power supply over 12 V/DC power supply for surface-mounted version in installation box or for DIN top-hat rail mounting
 Mains (CNX): Power supply over 30 V/DC power supply in the control panels 64 and 150

Hygienic flush (mains/battery):

The hygienic flush can be carried out in electronic showers by programming via the piezo switch, the Service Monitor or the Service APP per shower; 12, 24 or 72 h, deactivatable; factory setting: 30 s water flush after 12 h of last water flow activation.

Hygienic flush key switch (mains/battery):

The hygienic flush can be carried out in electronic showers by programming via the piezo switch, the Service Monitor or the Service APP per shower and can be triggered directly by actuating a key switch; 12, 24 or 72 h, deactivatable; factory setting: 30 s water flush after 12 h of last water flow activation.

Thermal disinfection (mains):

The thermal disinfection in an electronic shower with an installed second bistable solenoid valve 6 V/DC DN15 can be triggered by actuating a key switch.

Cleaning stop (mains/battery):

The cleaning stop can be activated in electronic showers by positioning a magnet - RC Switch, on the cover respectively cover plate. Shower function via actuation of the piezo switch is interrupted for the time the magnet is positioned there.

Water flow time CNX:

The water flow time of the shower function can be set and disabled for electronic showers, integrated into the CNX Water Management System, through the software parameter settings per shower or shower group; setting range: 0-180 s, factory setting: 30 s.

Hygienic flush CNX:

The hygienic flush can be set and disabled for electronic showers, integrated into the CNX Water Management System, by the software parameter settings per shower or shower group as interval or calendar function. Factory setting: 30 s water flush after 12 h of last water flow activation.

Thermal disinfection CNX:

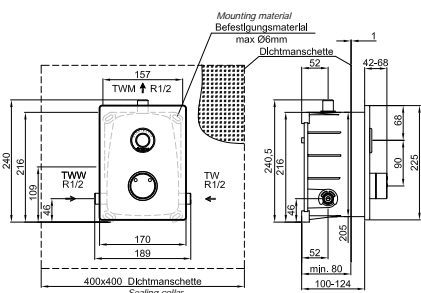
The thermal disinfection can be set as a calendar function in electronic showers, integrated into the CNX Water Management System, by the software parameter settings per shower group.

Cleaning stop CNX:

The operation stop (cleaning stop), interruption of the shower function, can be set in electronic showers, integrated into the CNX Water Management System, by the software parameter settings per shower or shower group as a calendar function.






CNX Water Management System:

Integration of the shower into the software-controlled Water Management System for the automatic depiction of hygiene, system and safety functions of electronic showers, lavatory faucets and urinal flush valves at the BUS level. Parametrisation of individual devices and device groups. Tamper-proof documentation of all operating, action and function messages.



CONGENIAL FIT concealed shower, stainless steel, square, thermostat, piezo switch, DN15

<p>Technical data: Operating voltage (battery): 6 V/DC Operating voltage (mains): 12 V/DC Operating voltage (CNX): 30 V/DC Operating pressure: 1,5-5,0 bar Water temp. standard operation (max.): 70 °C Water temp. thermal disinfection: Short-term for therm. disinfection 80 °C Flow rate DN15: 0,15 l/s (flow rate regulator) Flow rate during thermal disinfection DN15: 0,05 l/s (flow rate regulator) Water flow time setting range: 3-180 s Water flow time factory setting: 30 s Hygienic flush setting range: 12, 24 or 72 h, can be deactivated via setting on piezo switch, other hygienic flush intervals can be set via Service Monitor Hygienic flush factory setting: 12 h after last water flow activation, 30 s water flow time Electronic protection type: IP68</p>	<p>Required accessories: CONR21 12 raw mounting set, shower head, hand shower set, central mains power supply or CNX central operation unit ¹⁾ Key switch for hygienic flush or thermal disinfection (see chapter accessories) Optional accessories: Manual TD plug for thermal disinfection (see chapter accessories) Note: For the water path CNX with thermal disinfection, the temperature sensor is already included in the scope of delivery.</p>
------------------------------------------------------------------------------------------------------------------------------------------------------------------------------------------------------------------------------------------------------------------------------------------------------------------------------------------------------------------------------------------------------------------------------------------------------------------------------------------------------------------------------------------------------------------------------------------------------------------------------------------------------------------------------------------------------------------------------------------------------------------------------------------------------------------------------------------------------------------------------------------------------------------------------------------------------------------------	-----------------------------------------------------------------------------------------------------------------------------------------------------------------------------------------------------------------------------------------------------------------------------------------------------------------------------------------------------------------------------------------------------------------------------------------------------------------------------------------------------------------------------------------------

							
Version	Power supply	Hygienic flush	Hygienic flush key switch	Therm. disinfection (electronic)	Thermal disinfection CNX	Cleaning stop	Article number
Battery	6 V/DC Lithium battery waterproof encased	•					CONE2116211100
		•				•	CONE2116211140
Netz	12 V/DC series wiring to connect to central mains power supply (see chapter accessories)	•					CONE2116211200
		•	• ¹				CONE2116211210
		•		• ¹			CONE2116211230
		•				•	CONE2116211240
CNX	30 V/DC bus cabling to CNX central operating unit (see chapter accessories)	•				•	CONE2116211336
		•			•	•	CONE2116211360
Shower heads	See chapter shower heads	CONHEAD jet shower head GOLF					CONO010000
		CONHEAD rain shower head RAIN2					CONO020000
		CONHEAD rain shower head SHORTY					CONO030000
		CONHEAD jet shower head VESUV					CONO060000
		CONHEAD jet shower head CITY					CONO050000
		CONHEAD hand shower set					CONO040000

CONGENIAL FIT concealed shower, chromed, square, thermostat, piezo switch, DN15

Showers
electronic



CONGENIAL FIT concealed shower, chromed, square, thermostat, piezo switch, DN15 - final assembly kit

Final assembly kit for electronic shower device, designed as concealed shower in nominal diameter DN15. With thermostatic mixing device for connection to cold and hot water. Application in new construction building and renovation in commercial, semi-public and public sanitary facilities.

- Concealed shower final assembly kit with square cover plate
- Concealed mounting, robust double lock, multi sealing system with drainage system for condensation
- Cover plate: stainless steel 1.4301, all visible surfaces made of brushed stainless steel, chromed, dimensions (HxVxD): 225x170x10 mm
- Support frame for cover plate
- Implementing functional elements and thermostat incl. EPDM sealing rings
- Multifunction tool for maintenance work
- Adaptive multifunctional water path CONGENIAL FIT with solenoid valve 6 V/DC ROBUST, bistable
- Upgrade and retrofitting functions
- Water path: dezincification resistant forged brass, as a high-quality thermostatic mixer, thermostat handle: chromed brass
- Visible components made of solid, chromed brass, with safety stop
- Choice of temperature setting range
- Integrated check valve in the bypass and check valve and strainer cartridges for water inlets
- All functional parts can be disassembled during maintenance work without removing the valve body
- Electronic operation of the shower function via piezo switch with start/stop function, piezo switch: colour ring red, rosette chrome plated
- The water flow time of the shower function is easily adjustable in electronic showers

Battery: 6V Lithium waterproof encased, lifetime up to 4 years
 Mains: Power supply over 12 V/DC power supply for surface-mounted version in installation box or for DIN top-hat rail mounting
 Mains (CNX): Power supply over 30 V/DC power supply in the control panels 64 and 150

Hygienic flush (mains/battery):

Hygienic flush (electronic): the hygienic flush can be carried out in electronic showers by programming via the piezo switch, the Service Monitor or the Service APP per shower; 12, 24 or 72 h, deactivatable; factory setting: 30 s water flush after 12 h of last water flow activation.

Hygienic flush key switch (mains/battery):

The hygienic flush can be carried out in electronic showers by programming via the piezo switch, the Service Monitor or the Service APP per shower and can be triggered directly by actuating a key switch; 12, 24 or 72 h, deactivatable; factory setting: 30 s water flush after 12 h of last water flow activation.

Thermal disinfection (mains):

The thermal disinfection in an electronic shower with an installed second bistable solenoid valve 6 V/DC DN15 can be triggered by actuating a key switch.

Cleaning stop (mains/battery):

The cleaning stop can be activated in electronic showers by positioning a magnet - RC Switch, on the cover respectively cover plate. Shower function via actuation of the piezo switch is interrupted for the time the magnet is positioned there.

Water flow time CNX:

The water flow time of the shower function can be set and disabled for electronic showers, integrated into the CNX Water Management System, through the software parameter settings per shower or shower group; setting range: 0-180 s, factory setting: 30 s.

Hygienic flush CNX:

The hygienic flush can be set and disabled for electronic showers, integrated into the CNX Water Management System, by the software parameter settings per shower or shower group as interval or calendar function. Factory setting: 30 s water flush after 12 h of last water flow activation.

Thermal disinfection CNX:

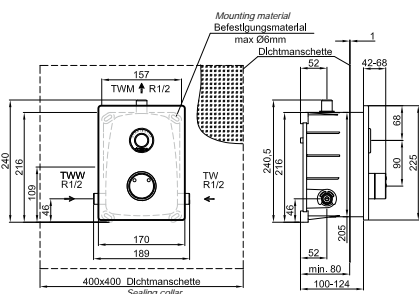
The thermal disinfection can be set as a calendar function in electronic showers, integrated into the CNX Water Management System, by the software parameter settings per shower group.

Cleaning stop CNX:

The operation stop (cleaning stop), interruption of the shower function, can be set in electronic showers, integrated into the CNX Water Management System, by the software parameter settings per shower or shower group as a calendar function.






CNX Water Management System:

Integration of the shower into the software-controlled Water Management System for the automatic depiction of hygiene, system and safety functions of electronic showers, lavatory faucets and urinal flush valves at the BUS level. Parametrisation of individual devices and device groups. Tamper-proof documentation of all operating, action and function messages.



CONGENIAL FIT concealed shower, chromed, square, thermostat, piezo switch, DN15

<p>Technical data: Operating voltage (battery): 6 V/DC Operating voltage (mains): 12 V/DC Operating voltage (CNX): 30 V/DC Operating pressure: 1,5-5,0 bar Water temp. standard operation (max.): 70 °C Water temp. thermal disinfection: Short-term for therm. disinfection 80 °C Flow rate DN15: 0,15 l/s (flow rate regulator) Flow rate during thermal disinfection DN15: 0,05 l/s (flow rate regulator) Water flow time setting range: 3-180 s Water flow time factory setting: 30 s Hygienic flush setting range: 12, 24 or 72 h, can be deactivated via setting on piezo switch, other hygienic flush intervals can be set via Service Monitor Hygienic flush factory setting: 12 h after last water flow activation, 30 s water flow time Electronic protection type: IP68</p>	<p>Required accessories: CONR21 12 raw mounting set, shower head, hand shower set, central mains power supply or CNX central operation unit ¹⁾ Key switch for hygienic rinse or thermal disinfection (see chapter accessories) Optional accessories: Manual TD plug for thermal disinfection (see chapter accessories) Note: For the water path CNX with thermal disinfection, the temperature sensor is already included in the scope of delivery.</p>
--------------------------------------------------------------------------------------------------------------------------------------------------------------------------------------------------------------------------------------------------------------------------------------------------------------------------------------------------------------------------------------------------------------------------------------------------------------------------------------------------------------------------------------------------------------------------------------------------------------------------------------------------------------------------------------------------------------------------------------------------------------------------------------------------------------------------------------------------------------------------------------------------------------------------------------------------------------------------------------------------------------------------------------------------------------------------------	-----------------------------------------------------------------------------------------------------------------------------------------------------------------------------------------------------------------------------------------------------------------------------------------------------------------------------------------------------------------------------------------------------------------------------------------------------------------------------------------------------------------------------------------------------------------------

							
Version	Power supply	Hygienic flush	Hygienic flush key switch	Therm. disinfection (electronic)	Thermal disinfection CNX	Cleaning stop	Article number
Battery	6 V/DC Lithium battery waterproof encased	•					CONE2156211100
		•				•	CONE2156211140
Mains	12 V/DC series wiring to connect to central mains power supply (see chapter accessories)	•					CONE2156211200
		•	• ¹				CONE2156211210
		•		• ¹			CONE2156211230
		•				•	CONE2156211240
CNX	30 V/DC bus cabling to CNX central operating unit (see chapter accessories)	•				•	CONE2156211336
		•			•	•	CONE2156211360
Shower heads	See chapter shower heads	CONHEAD jet shower head GOLF					CONO010000
		CONHEAD rain shower head RAIN2					CONO020000
		CONHEAD rain shower head SHORTY					CONO030000
		CONHEAD jet shower head VESUV					CONO060000
		CONHEAD jet shower head CITY					CONO050000
		CONHEAD hand shower set					CONO040000

CONGENIAL FIT concealed shower, stainless steel, oval, thermostat, piezo switch, DN15

Showers
electronic



CONGENIAL FIT concealed shower, stainless steel, oval, thermostat, piezo switch, DN15 - final assembly kit

Final assembly kit for electronic shower device, designed as concealed shower in nominal diameter DN15. With thermostatic mixing device for connection to cold and hot water. Application in new construction building and renovation in commercial, semi-public and public sanitary facilities.

- Concealed shower final assembly kit with oval cover plate
- Concealed mounting, robust double lock, multi sealing system with drainage system for condensation
- Cover plate: stainless steel 1.4301, all visible surfaces made of brushed stainless steel, dimensions (HxVxD): 280x180x10 mm
- Support frame for cover plate
- Implementing functional elements and thermostat EPDM sealing rings
- Multifunction tool for maintenance work
- Adaptive multifunctional water path CONGENIAL FIT with solenoid valve 6 V/DC ROBUST, bistable
- Upgrade and retrofitting functions
- Water path: dezincification resistant forged brass, as a high-quality thermostatic mixer, thermostat handle: chromed brass
- Visible components made of solid, chromed brass, with safety stop
- Choice of temperature setting range
- Integrated check valve in the bypass and check valve and strainer cartridges for water inlets
- All functional parts can be disassembled during maintenance work without removing the valve body
- Electronic operation of the shower function via piezo switch with start/stop function, piezo switch: color ring red, rosette chrome plated
- The water flow time of the shower function is easily adjustable in electronic showers

Battery: 6V Lithium waterproof encased, lifetime up to 4 years
 Mains: Power supply over 12 V/DC power supply for surface-mounted version in installation box or for DIN top-hat rail mounting
 Mains (CNX): Power supply over 30 V/DC power supply in the control panels 64 and 150

Hygienic flush (mains/battery):

Hygienic flush (electronic): the hygienic flush can be carried out in electronic showers by programming via the piezo switch, the Service Monitor or the Service APP per shower; 12, 24 or 72 h, deactivatable; factory setting: 30 s water flush after 12 h of last water flow activation.

Hygienic flush key switch (mains/battery):

The hygienic flush can be carried out in electronic showers by programming via the piezo switch, the Service Monitor or the Service APP per shower and can be triggered directly by actuating a key switch; 12, 24 or 72 h, deactivatable; factory setting: 30 s water flush after 12 h of last water flow activation.

Thermal disinfection (mains):

The thermal disinfection in an electronic shower with an installed second bistable solenoid valve 6 V/DC DN15 can be triggered by actuating a key switch.

Cleaning stop (mains/battery):

The cleaning stop can be activated in electronic showers by positioning a magnet - RC Switch, on the cover respectively cover plate. Shower function via actuation of the piezo switch is interrupted for the time the magnet is positioned there.

Water flow time CNX:

The water flow time of the shower function can be set and disabled for electronic showers, integrated into the CNX Water Management System, through the software parameter settings per shower or shower group; setting range: 0-180 s, factory setting: 30 s.

Hygienic flush CNX:

The hygienic flush can be set and disabled for electronic showers, integrated into the CNX Water Management System, by the software parameter settings per shower or shower group as interval or calendar function. Factory setting: 30 s water flush after 12 h of last water flow activation.

Thermal disinfection CNX:

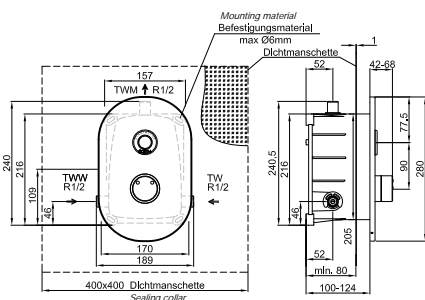
The thermal disinfection can be set as a calendar function in electronic showers, integrated into the CNX Water Management System, by the software parameter settings per shower group.

Cleaning stop CNX:

The operation stop (cleaning stop), interruption of the shower function, can be set in electronic showers, integrated into the CNX Water Management System, by the software parameter settings per shower or shower group as a calendar function.






CNX Water Management System:

Integration of the shower into the software-controlled Water Management System for the automatic depiction of hygiene, system and safety functions of electronic showers, lavatory faucets and urinal flush valves at the BUS level. Parametrisation of individual devices and device groups. Tamper-proof documentation of all operating, action and function messages.



CONGENIAL FIT concealed shower, stainless steel, oval, thermostat, piezo switch, DN15

<p>Technical data: Operating voltage (battery): 6 V/DC Operating voltage (mains): 12 V/DC Operating voltage (CNX): 30 V/DC Operating pressure: 1,5-5,0 bar Water temp. standard operation (max.): 70 °C Water temp. thermal disinfection: Short-term for therm. disinfection 80 °C Flow rate DN15: 0,15 l/s (flow rate regulator) Flow rate during thermal disinfection DN15: 0,05 l/s (flow rate regulator) Water flow time setting range: 3-180 s Water flow time factory setting: 30 s Hygienic flush setting range: 12, 24 or 72 h, can be deactivated via setting on piezo switch, other hygienic flush intervals can be set via Service Monitor Hygienic flush factory setting: 12 h after last water flow activation, 30 s water flow time Electronic protection type: IP68</p>	<p>Required accessories: CONR21 12 raw mounting set, shower head, hand shower set, central mains power supply or CNX central operation unit ¹⁾ Key switch for hygienic rinse or thermal disinfection (see chapter accessories) Optional accessories: Manual TD plug for thermal disinfection (see chapter accessories) Note: For the water path CNX with thermal disinfection, the temperature sensor is already included in the scope of delivery.</p>
------------------------------------------------------------------------------------------------------------------------------------------------------------------------------------------------------------------------------------------------------------------------------------------------------------------------------------------------------------------------------------------------------------------------------------------------------------------------------------------------------------------------------------------------------------------------------------------------------------------------------------------------------------------------------------------------------------------------------------------------------------------------------------------------------------------------------------------------------------------------------------------------------------------------------------------------------------------------	-----------------------------------------------------------------------------------------------------------------------------------------------------------------------------------------------------------------------------------------------------------------------------------------------------------------------------------------------------------------------------------------------------------------------------------------------------------------------------------------------------------------------------------------------

							
Version	Power supply	Hygienic flush	Hygienic flush key switch	Therm. disinfection (electronic)	Thermal disinfection CNX	Cleaning stop	Article number
Battery	6 V/DC Lithium battery waterproof encased	•					CONE2117211100
		•				•	CONE2117211140
Mains	12 V/DC series wiring to connect to central mains power supply (see chapter accessories)	•					CONE2117211200
		•	• ¹⁾				CONE2117211210
		•		• ¹⁾			CONE2117211230
		•				•	CONE2117211240
CNX	30 V/DC bus cabling to CNX central operating unit (see chapter accessories)	•				•	CONE2117211336
		•			•	•	CONE2117211360
Shower heads	See chapter shower heads	CONHEAD jet shower head GOLF					CONO010000
		CONHEAD rain shower head RAIN2					CONO020000
		CONHEAD rain shower head SHORTY					CONO030000
		CONHEAD jet shower head VESUV					CONO060000
		CONHEAD jet shower head CITY					CONO050000
		CONHEAD hand shower set					CONO040000

CONGENIAL FIT concealed shower, chromed, oval, thermostat, piezo switch, DN15



CONGENIAL FIT concealed shower, chromed, oval, thermostat, piezo switch, DN15 - final assembly kit

Final assembly kit for electronic shower device, designed as concealed shower in nominal diameter DN15. With thermostatic mixing device for connection to cold and hot water. Application in new construction building and renovation in commercial, semi-public and public sanitary facilities.

- Concealed shower final assembly kit with oval cover plate
- Concealed mounting, robust double lock, multi sealing system with drainage system for condensation
- Cover plate: stainless steel 1.4301, all visible surfaces made of stainless steel, chromed, dimensions (HxVxD): 280x180x10 mm
- Support frame for cover plate
- Implementing functional elements and thermostat incl. EPDM sealing rings
- Multifunction tool for maintenance work
- Adaptive multifunctional water path CONGENIAL FIT with solenoid valve 6 V/DC ROBUST, bistable
- Upgrade and retrofitting functions
- Water path: dezincification resistant forged brass, as a high-quality thermostatic mixer, thermostat handle: chromed brass
- Visible components made of solid, chromed brass, with safety stop
- Choice of temperature setting range
- Integrated check valve in the bypass and check valve and strainer cartridges for water inlets
- All functional parts can be disassembled during maintenance work without removing the valve body
- Electronic operation of the shower function via piezo switch with start/stop function, piezo switch: colour ring red, rosette chrome plated
- The water flow time of the shower function is easily adjustable in electronic showers

Battery:	6V Lithium waterproof encased, lifetime up to 4 years
Mains:	Power supply over 12 V/DC power supply for surface-mounted version in installation box or for DIN top-hat rail mounting
Mains (CNX):	Power supply over 30 V/DC power supply in the control panels 64 and 150

Hygienic flush (mains/battery):

Hygienic flush (electronic): the hygienic flush can be carried out in electronic showers by programming via the piezo switch, the Service Monitor or the Service APP per shower; 12, 24 or 72 h, deactivatable; factory setting: 30 s water flush after 12 h of last water flow activation.

Hygienic flush key switch (mains/battery):

The hygienic flush can be carried out in electronic showers by programming via the piezo switch, the Service Monitor or the Service APP per shower and can be triggered directly by actuating a key switch; 12, 24 or 72 h, deactivatable; factory setting: 30 s water flush after 12 h of last water flow activation.

Thermal disinfection (mains):

The thermal disinfection in an electronic shower with an installed second bistable solenoid valve 6 V/DC DN15 can be triggered by actuating a key switch.

Cleaning stop (mains/battery):

The cleaning stop can be activated in electronic showers by positioning a magnet - RC Switch, on the cover respectively cover plate. Shower function via actuation of the piezo switch is interrupted for the time the magnet is positioned there.

Water flow time CNX:

The water flow time of the shower function can be set and disabled for electronic showers, integrated into the CNX Water Management System, through the software parameter settings per shower or shower group; setting range: 0-180 s, factory setting: 30 s.

Hygienic flush CNX:

The hygienic flush can be set and disabled for electronic showers, integrated into the CNX Water Management System, by the software parameter settings per shower or shower group as interval or calendar function. Factory setting: 30 s water flush after 12 h of last water flow activation.

Thermal disinfection CNX:

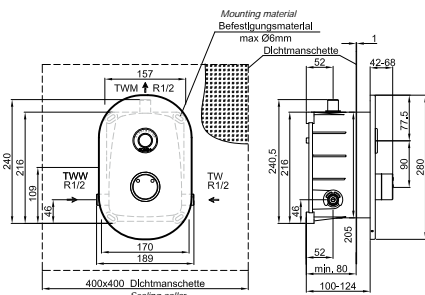
The thermal disinfection can be set as a calendar function in electronic showers, integrated into the CNX Water Management System, by the software parameter settings per shower group.

Cleaning stop CNX:

The operation stop (cleaning stop), interruption of the shower function, can be set in electronic showers, integrated into the CNX Water Management System, by the software parameter settings per shower or shower group as a calendar function.






CNX Water Management System:

Integration of the shower into the software-controlled Water Management System for the automatic depiction of hygiene, system and safety functions of electronic showers, lavatory faucets and urinal flush valves at the BUS level. Parametrisation of individual devices and device groups. Tamper-proof documentation of all operating, action and function messages.



CONGENIAL FIT concealed shower, chromed, oval, thermostat, piezo switch, DN15

<p>Technical data: Operating voltage (battery): 6 V/DC Operating voltage (mains): 12 V/DC Operating voltage (CNX): 30 V/DC Operating pressure: 1,5-5,0 bar Water temp. standard operation (max.): 70 °C Water temp. thermal disinfection: Short-term for therm. disinfection 80 °C Flow rate DN15: 0,15 l/s (flow rate regulator) Flow rate during thermal disinfection DN15: 0,05 l/s (flow rate regulator) Water flow time setting range: 3-180 s Water flow time factory setting: 30 s Hygienic flush setting range: 12, 24 or 72 h, can be deactivated via setting on piezo switch, other hygienic flush intervals can be set via Service Monitor Hygienic flush factory setting: 12 h after last water flow activation, 30 s water flow time Electronic protection type: IP68</p>	<p>Required accessories: CONR21 12 raw mounting set, shower head, hand shower set, central mains power supply or CNX central operation unit ¹⁾ Key switch for hygienic flush or thermal disinfection (see chapter accessories) Optional accessories: Manual TD plug for thermal disinfection (see chapter accessories) Note: For the water path CNX with thermal disinfection, the temperature sensor is already included in the scope of delivery.</p>
------------------------------------------------------------------------------------------------------------------------------------------------------------------------------------------------------------------------------------------------------------------------------------------------------------------------------------------------------------------------------------------------------------------------------------------------------------------------------------------------------------------------------------------------------------------------------------------------------------------------------------------------------------------------------------------------------------------------------------------------------------------------------------------------------------------------------------------------------------------------------------------------------------------------------------------------------------------------	-----------------------------------------------------------------------------------------------------------------------------------------------------------------------------------------------------------------------------------------------------------------------------------------------------------------------------------------------------------------------------------------------------------------------------------------------------------------------------------------------------------------------------------------------

							
Version	Power supply	Hygienic flush	Hygienic flush key switch	Therm. disinfection (electronic)	Thermal disinfection CNX	Cleaning stop	Article number
Battery	6 V/DC Lithium battery waterproof encased	•					CONE2157211100
		•				•	CONE2157211140
Mains	12 V/DC series wiring to connect to central mains power supply (see chapter accessories)	•					CONE2157211200
		•	• ¹⁾				CONE2157211210
		•		• ¹⁾			CONE2157211230
		•				•	CONE2157211240
CNX	30 V/DC bus cabling to CNX central operating unit (see chapter accessories)	•				•	CONE2157211336
		•			•	•	CONE2157211360
Shower heads	See chapter shower heads	CONHEAD jet shower head GOLF					CONO010000
		CONHEAD rain shower head RAIN2					CONO020000
		CONHEAD rain shower head SHORTY					CONO030000
		CONHEAD jet shower head VESUV					CONO060000
		CONHEAD jet shower head CITY					CONO050000
		CONHEAD hand shower set					CONO040000

CONBASE concealed shower, stainless steel, round, piezo switch, DN15



CONBASE concealed shower, stainless steel, round, piezo switch, DN15 - final assembly kit

Final assembly kit for electronic shower, device designed as concealed shower in nominal diameter DN15. Without mixing device for connection to cold or premixed water. Application in new construction building and renovation in commercial, semi-public and public sanitary facilities.

- Concealed shower final assembly kit with round cover plate
- Concealed mounting, robust quadruple lock, multi sealing system with drainage system for condensation
- Cover plate: stainless steel 1.4301, all visible surfaces made of brushed stainless steel, dimensions (ØxD): 260x12 mm
- Support frame for cover plate: ABS with EPDM lip sealing
- Multifunction tool for maintenance work
- Water path, in sliding sleeve technology, for tension-free installation of the solenoid valve 6 V/DC ROBUST, bistable, DN15
- Electronic operation of the shower function via piezo switch with start/stop function, piezo switch: colour ring red, rosette chrome plated
- The water flow time of the shower function is easily adjustable in electronic showers

Battery:

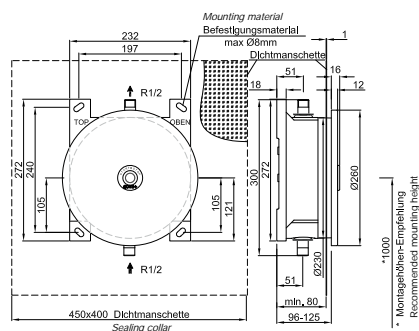
6V Lithium waterproof encased, lifetime up to 4 years

Mains:

Power supply over 12 V/DC power supply for surface-mounted version in installation box or for DIN top-hat rail mounting







Hygienic flush (mains/battery):

Hygienic flush (electronic): the hygienic flush can be carried out in electronic showers by programming via the piezo switch or the Service Monitor per shower; 12, 24 or 72 h, deactivatable; factory setting: 30 s water flush after 12 h of last water flow activation.



CONBASE concealed shower, stainless steel, round, piezo switch, DN15

<p>Technical data: Operating voltage (battery): 6 V/DC Operating voltage (mains): 12 V/DC Operating pressure: 1,5-5,0 bar Water temp. standard operation (max.): 70 °C Flow rate DN15: 0,15 l/s (flow rate regulator) Water flow time setting range: 3-180 s Water flow time factory setting: 30 s Hygienic flush setting range: 12, 24 or 72 h, can be deactivated via setting on piezo switch, other hygienic flush intervals can be set via Service Monitor Hygienic flush factory setting: 12 h after last water flow activation, 30 s water flow time Electronic protection type: IP68</p>	<p>Required accessories: CONR0111 raw mounting set Shower head, hand shower set, central mains power supply</p>
------------------------------------------------------------------------------------------------------------------------------------------------------------------------------------------------------------------------------------------------------------------------------------------------------------------------------------------------------------------------------------------------------------------------------------------------------------------------------------------------------------------------------------------------------------------------------------------------------------------------------------------------------------------------------------------------------------------------------------------	--------------------------------------------------------------------------------------------------------------------------------------------------

								
Version	Power supply	Connection DN15	Hygienic flush	Hygienic flush key switch	Therm. disinfection (electronic)	Thermal disinfection CNX	Cleaning stop	Article number
Battery	6 V/DC Lithium battery waterproof encased	•	•					CONE2110173100
Mains	12 V/DC series wiring to connect to central mains power supply (see accessories)	•	•					CONE2110173200
Shower heads	See chapter shower heads	CONHEAD jet shower head GOLF						CONO010000
		CONHEAD rain shower head RAIN2						CONO020000
		CONHEAD rain shower head SHORTY						CONO030000
		CONHEAD jet shower head VESUV						CONO060000
		CONHEAD jet shower head CITY						CONO050000
		CONHEAD hand shower set						CONO040000

CONBASE concealed shower, stainless steel, square, piezo switch, DN15

Showers
electronic



CONBASE concealed shower, stainless steel, square, piezo switch, DN15 - final assembly kit

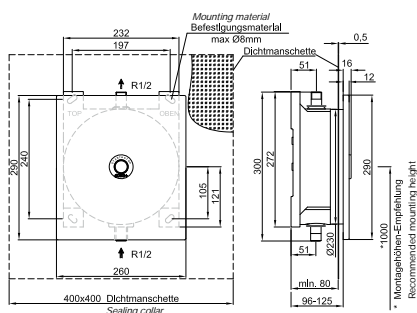
Final assembly kit for electronic shower, device designed as concealed shower in nominal diameter DN15. Without mixing device for connection to cold or premixed water. Application in new construction building and renovation in commercial, semi-public and public sanitary facilities.

- Concealed shower final assembly kit with square cover plate
- Concealed mounting, robust quadruple lock, multi sealing system with drainage system for condensation
- Cover plate: stainless steel 1.4301, all visible surfaces made of brushed stainless steel, dimensions (HxVxD): 290x260x12 mm
- Support frame for cover plate: ABS with EPDM lip sealing
- Multifunction tool for maintenance work
- Water path, in sliding sleeve technology, for tension-free installation of the solenoid valve 6 V/DC ROBUST, bistable, DN15
- Electronic operation of the shower function via piezo switch with start/stop function, piezo switch: colour ring red, rosette chrome plated
- The water flow time of the shower function is easily adjustable in electronic showers

Battery: 6 V Lithium waterproof encased, lifetime up to 4 years
 Mains: Power supply over 12 V/DC power supply for surface-mounted version in installation box or for DIN top-hat rail mounting

Hygienic flush (mains/battery):







Hygienic flush (electronic): the hygienic flush can be carried out in electronic showers by programming via the piezo switch or the Service Monitor per shower; 12, 24 or 72 h, deactivatable; factory setting: 30 s water flush after 12 h of last water flow activation.



CONBASE concealed shower, stainless steel, square, piezo switch, DN15

Showers
electronic

<p>Technical data: Operating voltage (battery): 6 V/DC Operating voltage (mains): 12 V/DC Operating pressure: 1,5-5,0 bar Water temp. standard operation (max.): 70 °C Flow rate DN15: 0,15 l/s (flow rate regulator) Water flow time setting range: 3-180 s Water flow time factory setting: 30 s Hygienic flush setting range: 12, 24 or 72 h, can be deactivated via setting on piezo switch, other hygienic flush intervals can be set via Service Monitor Hygienic flush factory setting: 12 h after last water flow activation, 30 s water flow time Electronic protection type: IP68</p>	<p>Required accessories: CONR0111 raw mounting set Shower head, hand shower set, central mains power supply</p>
------------------------------------------------------------------------------------------------------------------------------------------------------------------------------------------------------------------------------------------------------------------------------------------------------------------------------------------------------------------------------------------------------------------------------------------------------------------------------------------------------------------------------------------------------------------------------------------------------------------------------------------------------------------------------------------------------------------------------------------	--------------------------------------------------------------------------------------------------------------------------------------------------

								
Version	Power supply	Connection DN15	Hygienic flush	Hygienic flush key switch	Therm. disinfection (electronic)	Thermal disinfection CNX	Cleaning stop	Article number
Battery	6 V/DC Lithium battery waterproof encased	•	•					CONE2115133100
Mains	12 V/DC series wiring to connect to central mains power supply (see accessories)	•	•					CONE2115133200
Shower heads	See chapter shower heads	CONHEAD jet shower head GOLF						CONO010000
		CONHEAD rain shower head RAIN2						CONO020000
		CONHEAD rain shower head SHORTY						CONO030000
		CONHEAD jet shower head VESUV						CONO060000
		CONHEAD jet shower head CITY						CONO050000
		CONHEAD hand shower set						CONO040000

CONBASE SLIM concealed shower/ceiling shower, round, piezo switch, DN15



CONBASE SLIM concealed shower, chromed, round, piezo switch, DN15 - final assembly kit

Final assembly kit for electronic shower, device designed as concealed shower in nominal diameter DN15. Without mixing device for connection to cold or premixed water. Application in new construction building and renovation in commercial, semi-public and public sanitary facilities.

- Concealed shower final assembly kit with round cover plate
- Cover plate: chromed, dimensions ($\varnothing \times D$): 95x5 mm, two countersunk screws for fixing
- All functional parts can be disassembled without dismantling the valve body during maintenance work
- Electronic operation of the shower function via piezo switch with start/stop function, piezo switch: colour ring red and blue
- The water flow time of the shower function is easily adjustable in electronic showers

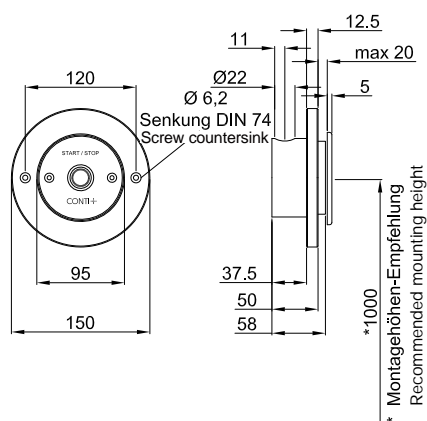
Battery: 6V Lithium waterproof encased, lifetime up to 4 years
Mains: Power supply over 12 V/DC power supply for surface-mounted version in installation box or for DIN top-hat rail mounting

Water path in DN15:

Solenoid valve 6 V/DC ROBUST, bistable, for mounting in the water path, connection distributor

Hygienic flush (mains/battery):

Hygienic flush (electronic): the hygienic flush can be carried out in electronic showers by programming via the piezo switch or the Service Monitor per shower; 12, 24 or 72 h, deactivatable; factory setting: 30 s water flush after 12 h of last water flow activation.



CONBASE SLIM concealed shower/ceiling shower, round, piezo switch, DN15

<p>Technical data: Operating voltage (battery): 6 V/DC Operating voltage (mains): 12 V/DC Operating pressure: 1,5-5,0 bar Water temp. standard operation (max.): 70 °C Flow rate DN15: 0,15 l/s (flow rate regulator) Water flow time setting range: 3-180 s Water flow time factory setting: 30 s Hygienic flush setting range: 12, 24 or 72 h, can be deactivated via setting on piezo switch, other hygienic flush intervals can be set via Service Monitor Hygienic flush factory setting: 12 h after last water flow activation, 30 s water flow time Electronic protection type: IP68</p>	<p>Required accessories: CONR3111 raw mounting set (DN15) Shower head, hand shower set, central mains power supply</p>
------------------------------------------------------------------------------------------------------------------------------------------------------------------------------------------------------------------------------------------------------------------------------------------------------------------------------------------------------------------------------------------------------------------------------------------------------------------------------------------------------------------------------------------------------------------------------------------------------------------------------------------------------------------------------------------------------------------------------------------	---------------------------------------------------------------------------------------------------------------------------------------------------------

Version	Power supply	Connection DN15	Connection DN20	Hygienic flush	Hygienic flush key switch	Therm. disinfection (electronic)	Thermal disinfection CNX	Cleaning stop	Article number
Battery	6 V/DC Lithium battery waterproof encased	•		•					CONE2150171100
Mains	12 V/DC series wiring to connect to central mains power supply (see accessories)	•		•					CONE2150171200
Shower heads	See chapter shower heads	CONHEAD jet shower head GOLF							CONO010000
		CONHEAD rain shower head RAIN2							CONO020000
		CONHEAD rain shower head SHORTY							CONO030000
		CONHEAD jet shower head VESUV							CONO060000
		CONHEAD jet shower head CITY							CONO050000
		CONHEAD hand shower set							CONO040000

CONCASH 2.0 concealed shower, stainless steel, round, thermostat, piezo switch, DN15



CONCASH 2.0 concealed shower, stainless steel, round, thermostat, piezo switch, DN15, paid water release, mains - final assembly kit

Final assembly kit for electronic shower, device designed as concealed shower in nominal diameter DN15. With thermostatic mixing device for connection to cold and hot water. Application in new construction building and renovation in commercial, semi-public and public sanitary facilities.

- Concealed shower final assembly kit with round cover plate
- Concealed mounting, robust double lock, multi sealing system with drainage system for condensation
- Cover plate: stainless steel 1.4301, all visible surfaces made of brushed stainless steel, dimensions (ØxD): 260x12 mm
- Support frame for cover plate: implementing functional elements and thermostat incl. EPDM sealing rings
- Multifunction tool for maintenance work
- Adaptive multifunctional water path CONGENIAL with solenoid valve 6 V/DC ROBUST, bistable
- Upgrade and retrofitting functions
- Water path: dezincification resistant forged brass, as a high-quality thermostatic mixer, thermostat handle: chromed brass
- Visible components made of solid, chromed brass, with safety stop
- Choice of temperature setting range
- Integrated check valve in the bypass and check valve and strainer cartridges for water inlets
- All functional parts can be disassembled during maintenance work without removing the valve body
- Electronic operation of the shower function via piezo switch after release by coin validator, piezo switch: colour ring red, rosette chrome plated

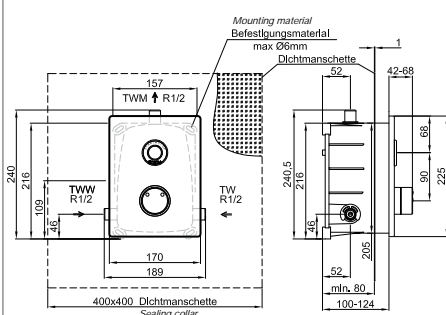
Mains: Power supply over 24 V/DC power supply for surface-mounted version in installation box or for DIN top-hat rail mounting

Hygienic flush (mains):

Hygienic flush (electronic): the hygienic flush is carried out in CONCASH showers by programming via the coin validator.






Paid water release:

The water flow time and payment parameters can be accessed via the coin validator.








CONCASH 2.0 concealed shower, stainless steel, round, thermostat, piezo switch, DN15

<p>Technical data: Operating voltage (mains): 24 V/DC Operating pressure: 1,5-5,0 bar Water temp. standard operation (max.): 70 °C Flow rate DN15: 0,1 l/s Water flow time setting range: 3-180 s Water flow time factory setting: 30 s Hygienic flush setting range: 12, 24 or 72 h, can be deactivated via setting on piezo switch, other hygienic flush intervals can be set via Service Monitor Hygienic flush factory setting: 12 h after last water flow activation, 30 s water flow time Electronic protection type: IP68</p>	<p>Required accessories: CONR0112 raw mounting set CONR0142 raw mounting set CONCASH coin validator Shower head, hand shower set, central mains power supply</p> <p>Optional accessories: Tokens</p>
------------------------------------------------------------------------------------------------------------------------------------------------------------------------------------------------------------------------------------------------------------------------------------------------------------------------------------------------------------------------------------------------------------------------------------------------------------------------------------------------------------------------------------------------------------------------------------------------------------------------------------------------------------------------------------------------------------------------------------------	-----------------------------------------------------------------------------------------------------------------------------------------------------------------------------------------------------------------------------------------------------------------------------------------------------------------------------

							
Version	Power supply	Hygienic flush	Hygienic flush key switch	Therm. disinfection (electronic)	Thermal disinfection CNX	Paid water release	Article number
Mains	12 V/DC power supply (see chapter accessories)	•				•	CONE241321270
Shower heads	See chapter shower heads	CONHEAD jet shower head GOLF					CONO010000
		CONHEAD rain shower head RAIN2					CONO020000
		CONHEAD rain shower head SHORTY					CONO030000
		CONHEAD jet shower head VESUV					CONO060000
		CONHEAD jet shower head CITY					CONO050000
		CONHEAD hand shower set					CONO040000

CONCASH 2.0 concealed shower, stainless steel, square, thermostat, piezo switch, DN15

<p>Technical data: Operating voltage (mains): 24 V/DC Operating pressure: 1,5-5,0 bar Water temp. standard operation (max.): 70 °C Flow rate DN15: 0,1 l/s Water flow time setting range: 3-180 s Water flow time factory setting: 30 s Hygienic flush setting range: 12, 24 or 72 h, can be deactivated via setting on piezo switch, other hygienic flush intervals can be set via Service Monitor Hygienic flush factory setting: 12 h after last water flow activation, 30 s water flow time Electronic protection type: IP68</p>	<p>Required accessories: CONR0112 raw mounting set CONR0142 raw mounting set CONCASH coin validator Shower head, hand shower set, central mains power supply</p> <p>Optional accessories: Tokens</p>
------------------------------------------------------------------------------------------------------------------------------------------------------------------------------------------------------------------------------------------------------------------------------------------------------------------------------------------------------------------------------------------------------------------------------------------------------------------------------------------------------------------------------------------------------------------------------------------------------------------------------------------------------------------	-------------------------------------------------------------------------------------------------------------------------------------------------------------------------------------------------------------------------------------------------------------------------------------

							
Version	Power supply	Hygienic flush	Hygienic flush key switch	Therm. disinfection (electronic)	Thermal disinfection CNX	Paid water release	Article number
Mains	12 V/DC power supply (see chapter accessories)	•				•	CONE241521270
Shower heads	See chapter shower heads	CONHEAD jet shower head GOLF					CONO010000
		CONHEAD rain shower head RAIN2					CONO020000
		CONHEAD rain shower head SHORTY					CONO030000
		CONHEAD jet shower head VESUV					CONO060000
		CONHEAD jet shower head CITY					CONO050000
		CONHEAD hand shower set					CONO040000

CONCASH FIT 2.0 concealed shower, stainless steel, square, thermostat, piezo switch, DN15

Showers
electronic



CONCASH FIT 2.0 concealed shower, stainless steel, square, thermostat, piezo switch, DN15, paid water release, mains - final assembly kit

Final assembly kit for electronic shower, device designed as concealed shower in nominal diameter DN15. With thermostatic mixing device for connection to cold and hot water. Application in new construction building and renovation in commercial, semi-public and public sanitary facilities.

- Concealed shower final assembly kit with square cover plate
- Concealed mounting, robust double lock, multi sealing system with drainage system for condensation
- Cover plate: stainless steel 1.4301, all visible surfaces made of brushed stainless steel, dimensions (HxVxD): 225x170x10 mm
- Support frame for cover plate: implementing functional elements and thermostat incl. EPDM sealing rings
- Multifunction tool for maintenance work
- Adaptive multifunctional water path CONGENIAL with solenoid valve 6 V/DC ROBUST, bistable
- Upgrade and retrofitting functions
- Water path: dezincification resistant forged brass, as a high-quality thermostatic mixer, thermostat handle: chromed brass
- Visible components made of solid, chromed brass, with safety stop
- Choice of temperature setting range
- Integrated check valve in the bypass and check valve and strainer cartridges for water inlets
- All functional parts can be disassembled from the front during maintenance work without removing the valve body
- Electronic operation of the shower function via piezo switch after release by coin validator, piezo switch: colour ring red, rosette chrome plated

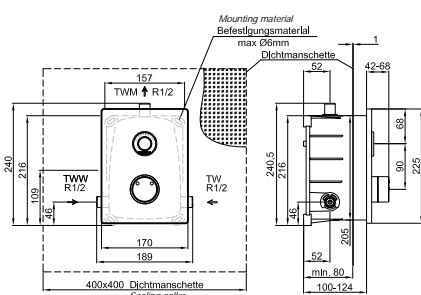
Mains: Power supply over 12 V/DC power supply for surface-mounted version in installation box or for DIN top-hat rail mounting

Hygienic flush (mains):

Hygienic flush (electronic): the hygienic flush is carried out in CONCASH showers by programming via the coin validator.






Paid water release:

The water flow time and payment parameters can be accessed via the coin validator.



CONCASH FIT 2.0 concealed shower, stainless steel, square, thermostat, piezo switch, DN15

<p>Technical data: Operating voltage (mains): 12 V/DC Operating pressure: 1,5-5,0 bar Water temp. standard operation (max.): 70 °C Flow rate DN15: 0,1 l/s Water flow time setting range: 3-180 s Water flow time factory setting: 30 s Hygienic flush setting range: 12, 24 or 72 h, can be deactivated via setting on piezo switch, other hygienic flush intervals can be set via Service Monitor Hygienic flush factory setting: 12 h after last water flow activation, 30 s water flow time Electronic protection type: IP68</p>	<p>Required accessories: CONR21 12 raw mounting set CONCASH coin validator Shower head, hand shower set, central mains power supply</p> <p>Optional accessories: Tokens</p>
------------------------------------------------------------------------------------------------------------------------------------------------------------------------------------------------------------------------------------------------------------------------------------------------------------------------------------------------------------------------------------------------------------------------------------------------------------------------------------------------------------------------------------------------------------------------------------------------------------------------------------------------------------------------------------------------------------------------------------------	-------------------------------------------------------------------------------------------------------------------------------------------------------------------------------------------------------------------------------------------------------------------------------

							
Version	Power supply	Hygienic flush	Hygienic flush key switch	Therm. disinfection (electronic)	Thermal disinfection CNX	Paid water release	Article number
Mains	12 V/DC power supply (see chapter accessories)	•				•	CONE241621270
Shower heads	See chapter shower heads	CONHEAD jet shower head GOLF					CONO010000
		CONHEAD rain shower head RAIN2					CONO020000
		CONHEAD rain shower head SHORTY					CONO030000
		CONHEAD jet shower head VESUV					CONO060000
		CONHEAD jet shower head CITY					CONO050000
		CONHEAD hand shower set					CONO040000

CONCASH FIT 2.0 concealed shower, stainless steel, oval, thermostat, piezo switch, DN15



CONCASH FIT 2.0 concealed shower, stainless steel, oval, thermostat, piezo switch, DN15, paid water release, mains - final assembly kit

Final assembly kit for electronic shower, device designed as concealed shower in nominal diameter DN15. With thermostatic mixing device for connection to cold and hot water. Application in new construction building and renovation in commercial, semi-public and public sanitary facilities.

- Concealed shower final assembly kit with oval cover plate
- Concealed mounting, robust double lock, multi sealing system with drainage system for condensation
- Cover plate: stainless steel 1.4301, all visible surfaces made of brushed stainless steel, dimensions (HxVxD): 280x180x10 mm
- Support frame for cover plate: implementing functional elements and thermostat incl. EPDM sealing rings
- Multifunction tool for maintenance work
- Adaptive multifunctional water path CONGENIAL with solenoid valve 6 V/DC ROBUST, bistable
- Upgrade and retrofitting functions
- Water path: dezincification resistant forged brass, as a high-quality thermostatic mixer, thermostat handle: chromed brass
- Visible components made of solid, chromed brass, with safety stop
- Choice of temperature setting range
- Integrated check valve in the bypass and check valve and strainer cartridges for water inlets
- All functional parts can be disassembled from the front during maintenance work without removing the valve body
- Electronic operation of the shower function via piezo switch after release by coin validator, piezo switch: colour ring red, rosette chrome plated

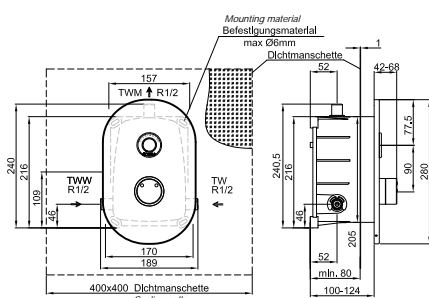
Mains: Power supply over 12 V/DC power supply for surface-mounted version in installation box or for DIN top-hat rail mounting

Hygienic flush (mains):

Hygienic flush (electronic): the hygienic flush is carried out in CONCASH showers by programming via the coin validator.

Paid water release:






The water flow time and payment parameters can be accessed via the coin validator.



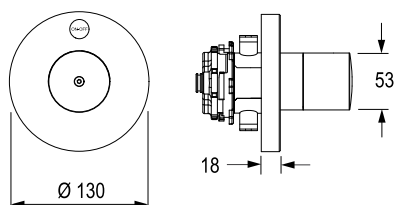
CONCASH FIT 2.0 concealed shower, stainless steel, oval, thermostat, piezo switch, DN15

Showers
electronic

<p>Technical data: Operating voltage (mains): 12 V/DC Operating pressure: 1,5-5,0 bar Water temp. standard operation (max.): 70 °C Flow rate DN15: 0,1 l/s Water flow time setting range: 3-180 s Water flow time factory setting: 30 s Hygienic flush setting range: 12, 24 or 72 h, can be deactivated via setting on piezo switch, other hygienic flush intervals can be set via Service Monitor Hygienic flush factory setting: 12 h after last water flow activation, 30 s water flow time Electronic protection type: IP68</p>	<p>Required accessories: CONR21 12 raw mounting set CONCASH coin validator Shower head, hand shower set, central mains power supply</p> <p>Optional accessories: Tokens</p>
------------------------------------------------------------------------------------------------------------------------------------------------------------------------------------------------------------------------------------------------------------------------------------------------------------------------------------------------------------------------------------------------------------------------------------------------------------------------------------------------------------------------------------------------------------------------------------------------------------------------------------------------------------------------------------------------------------------------------------------	-------------------------------------------------------------------------------------------------------------------------------------------------------------------------------------------------------------------------------------------------------------------------------

							
Version	Power supply	Hygienic flush	Hygienic flush key switch	Therm. disinfection (electronic)	Thermal disinfection CNX	Paid water release	Article number
Mains	12 V/DC power supply (see chapter accessories)	•				•	CONE241721270
Shower heads	See chapter shower heads	CONHEAD jet shower head GOLF					CONO010000
		CONHEAD rain shower head RAIN2					CONO020000
		CONHEAD rain shower head SHORTY					CONO030000
		CONHEAD jet shower head VESUV					CONO060000
		CONHEAD jet shower head CITY					CONO050000
		CONHEAD hand shower set					CONO040000

lino concealed shower faucet DV35/DV35B chromed, piezo switch



lino concealed shower faucet DV35/DV35B chromed, with thermostat, piezo switch - final assembly kit

Electronically controlled shower faucet for concealed installation with piezo switch:

- Sturdy version: valve body made of dezincification resistant brass
- Microprocessor; reliable solenoid valve 6 V/DC ROBUST, bistable (minimal level of water pressure surge)
- Start/stop button (piezo switch)
- Temperature adjustable with reliable thermostat with anti scald and auto-thermic protection (DV35/DV35B) and bypass solenoid valve 6V/DC ROBUST, bistable, DN15 (DV35B) with fixed temperature stop at 42 °C
- 24, 48 or 72 hour hygienic flush activatable with start/stop button
- Easy installation in combination with HANSAVAROX basic unit (raw mounting set)
- Compatible with Service Monitor: control of stored operational data, settings and control functions

DV35:	Temperature adjustable with thermostat
DV35B*:	Temperature adjustable with thermostat with bypass solenoid valve for thermal disinfection
Battery:	6V lithium, water-proof coated; life time flush mounted to 4 years
VARIOconnect:	For single- and multiple power supply and data connection (Connection to Service Monitor)
	* thermal Disinfection at DV35B

Hygienic flush (mains/battery)

Hygienic flush (electronic): the hygienic flush can be carried out in electronic showers by programming via the piezo switch, the Service Monitor or the Service APP per shower; 24, 28 or 72 h, deactivatable; factory setting: 30 s water flush after 12 h of last water flow activation.

Thermal disinfection (mains):

The thermal disinfection in an electronic shower with a second bistable solenoid valve 6 V/DC DN15 installed can be triggered by actuating a key switch.






Hygienic flush key switch (mains/battery):

The hygienic flush can be carried out in electronic showers by programming via the piezo switch, the Service Monitor or the Service APP per shower and can be triggered directly by actuating a key switch; 24, 48 or 72 h, deactivatable; factory setting: 30 s water flush after 12 h of last water flow activation.

lino concealed shower faucet DV35/DV35B chromed, piezo switch

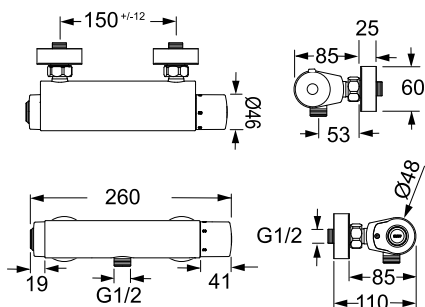
Showers
electronic

<p>Technical data: Operating pressure: 0,3-10,0 bar Flow rate: Approx. 12 l/m Water temperature (max.): 80 °C Filter: 0,3 mm mesh size Water flow time: 30 s pre-set. (adjustable with start/stop button 2 s-3 min) Hygienic flush time: According to water flow time Engineering standards: DIN EN 200; CE</p>	<p>Required accessories: 220.027.00 raw mounting set, 550.024.00 B-lock flush connector, shower head, hand shower set, central mains power supply</p>
---------------------------------------------------------------------------------------------------------------------------------------------------------------------------------------------------------------------------------------------------------------------------------------------------------------------------------------------------------------------------------------------------------------------------------------------------------------------------	-----------------------------------------------------------------------------------------------------------------------------------------------------------------------------------------------------------------------------

							
Version	Power supply	Hygienic flush	Hygienic flush key switch	Therm. disinfection (electronic)	Thermal disinfection CNX	Cleaning stop	Article number
Battery	6 V/DC Lithium battery waterproof encased	•					120.641.11
VARIO connect	6 V/DC single and multiple power supply	•					120.651.11
		•		•			120.653.11
Shower heads	See chapter shower heads	CONHEAD jet shower head GOLF					CONO010000
		CONHEAD rain shower head RAIN2					CONO020000
		CONHEAD rain shower head SHORTY					CONO030000
		CONHEAD jet shower head VESUV					CONO060000
		CONHEAD jet shower head CITY					CONO050000
		CONHEAD hand shower set					CONO040000

tipolino exposed shower faucet D35, chromed, thermostat, piezo switch, battery

Showers
electronic



tipolino exposed shower faucet D35, chromed, thermostat, piezo switch, battery

Electronically controlled shower faucet for exposed installation with piezo switch:

- Sturdy version; faucet body made of drawn brass, chromed
- Microprocessor; reliable solenoid valve 6V/DC ROBUST, bistable (minimal level of water pressure surge)
- Start/stop button (piezo switch)
- Temperature adjustable with reliable thermostat cartridge with anti scald and auto-thermic protection
- 24, 48 or 72 hour hygienic flush activatable with start/stop button
- Including s-connectors 3/4" and rosettes (lockable s-connector optional)
- Compatible with Service Monitor: control of stored operational data, settings and control functions

Battery: 6 V Lithium 2CR5 (standard: life time up to 4 years)

Hygienic flush (battery):

Hygienic flush (electronic): the hygienic flush can be carried out in electronic showers by programming via the piezo switch, the Service Monitor per shower. 12, 24 or 72 h, deactivatable; factory setting: hygienic flush deactivated, interval and water flow time adjustable after activation.

Technical data:

- Operating pressure: 0,3-10,0 bar
- Flow rate: ca. 12 l/m
- Water temperature (max.): 80 °C
- Filter: 0,3 mm mesh size
- Follow-up time: 45 s pre-set (adjustable with function key 2 s-2 min)
- Hygienic flush time: According to water flow time
- Engineering standards: DIN EN 200; CE

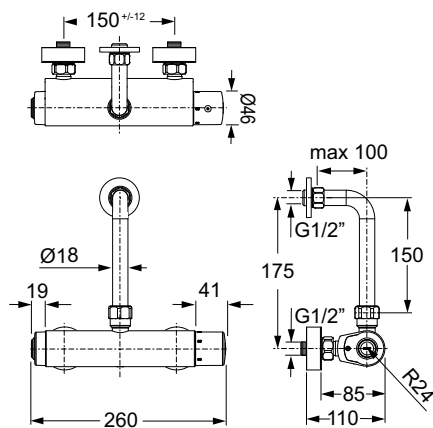
Optional accessories:

550.070.11 Temperature handle 38 °C with override button

Version	Power supply	Hygienic flush	Hygienic flush key switch	Therm. disinfection (electronic)	Thermal disinfection CNX	Cleaning stop	Article number
Battery	6 V/DC Lithium battery waterproof encased	•					110.405.11
Shower heads	See chapter shower heads	CONHEAD jet shower head GOLF					CONO010000
		CONHEAD rain shower head RAIN2					CONO020000
		CONHEAD rain shower head SHORTY					CONO030000
		CONHEAD jet shower head VESUV					CONO060000
		CONHEAD jet shower head CITY					CONO050000
		CONHEAD hand shower set					CONO040000

tipolino shower faucet D35, chromed, thermostat, piezo switch, battery

Showers
electronic



tipolino exposed shower faucet D35, chromed, thermostat, piezo switch, battery, outlet should point upwards

Electronically controlled shower faucet for exposed installation with piezo switch:

- Sturdy version; faucet body made of brass, chromed
- Microprocessor; reliable solenoid valve 6 V/DC ROBUST, bistable (minimal level of water pressure surge)
- Start/stop button (piezo switch)
- Temperature adjustable with reliable thermostat cartridge with anti scald and auto-thermic protection
- 24, 48 or 72 hour hygienic flush activatable with start/stop button
- Including s-connectors 3/4" and rosettes (lockable s-connector optional)
- Incl. outlet bend for trimming to size and fittings
- Compatible with Service Monitor: control of stored operational data, settings and control functions

Battery: 6 V Lithium 2CR5 (standard: life time up to 4 years)

Hygienic flush (battery)

Hygienic flush (electronic): the hygienic flush can be carried out in electronic showers by programming via the piezo switch, the Service Monitor per shower; 12, 24 or 72 h, deactivatable; factory setting: hygienic flush deactivated, interval and water flow time adjustable after activation.

Technical data:

- Operating pressure: 0,3-10,0 bar
- Flow rate: ca. 12 l/m
- Water temperature (max.): 80 °C
- Filter: 0,3 mm mesh size
- Follow-up time: 45 s pre-set (adjustable with function key 2 s-2 min)
- Hygienic flush time: According to water flow time
- Engineering standards: DIN EN 200; CE

Optional accessories:

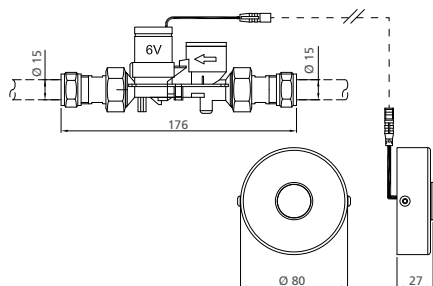
550.070.11 Temperature handle 38° with override button

Version	Power supply	Hygienic flush	Hygienic flush key switch	Therm. disinfection (electronic)	Thermal disinfection CNX	Cleaning stop	Article number
Battery	6 V/DC Lithium battery waterproof encased	•					110.406.11
Shower heads	See chapter shower heads	CONHEAD jet shower head GOLF					CONO010000
		CONHEAD rain shower head RAIN2					CONO020000
		CONHEAD rain shower head SHORTY					CONO030000
		CONHEAD jet shower head VESUV					CONO060000
		CONHEAD jet shower head CITY					CONO050000
		CONHEAD hand shower set					CONO040000

CONBASE exposed shower, piezo switch, DN15

Showers
electronic

NEW



CONBASE exposed shower, brushed stainless steel, piezo switch, DN15 - final assembly kit

Final assembly kit for electronic shower, device designed as concealed shower in nominal diameter DN15. Without mixing device for connection to cold or premixed water. Application in new construction building and renovation in commercial, semi-public and public sanitary facilities.

- Water path for exposed mounting
- Cover made from stainless steel 1.4301
- All visible surfaces brushed stainless steel
- Dimensions: Ø 80x27 mm
- Water path with solenoid valve 6 V/DC ROBUST, bistable, DN15
- Electronic operation of the shower function via piezo switch with start/stop function, piezo switch: colour ring red
- The water flow time of the shower function is easily adjustable in electronic showers

Battery: 6V Lithium waterproof encased, lifetime up to 4 years

Technical data:

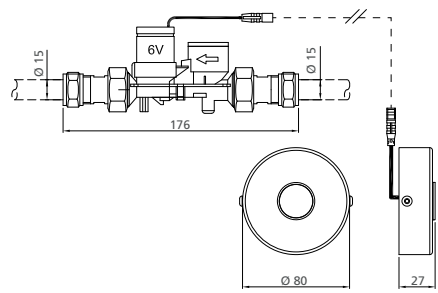
Operating voltage (battery): 6 V/DC
 Operating pressure: 1,5-5,0 bar
 Water temp. standard operation (max.): 70 °C
 Flow rate DN15: 0,15 l/s (flow rate regulator)
 Water flow time setting range: 3 -180 s
 Water flow time factory setting: 30 s
 Hygienic flush setting range: 12, 24 or 72 h, can be deactivated via setting on piezo switch, other hygienic flush intervals can be set via Service Monitor
 Hygienic flush factory setting: 12 h after last water flow activation, 30 s water flow time
 Electronic protection type: IP68

Required accessories:
Shower head

Version	Power supply	Hygienic flush	Hygienic flush key switch	Therm. disinfection (electronic)	Thermal disinfection CNX	Cleaning stop	Article number
Battery	6 V/DC Lithium battery waterproof encased	•					CONE3110173100
Shower heads	See chapter shower heads	CONHEAD jet shower head GOLF					CONO010000
		CONHEAD rain shower head RAIN2					CONO020000
		CONHEAD rain shower head SHORTY					CONO030000
		CONHEAD jet shower head VESUV					CONO060000
		CONHEAD jet shower head CITY					CONO050000
		CONHEAD hand shower set					CONO040000

CONBASE exposed shower, piezo switch, DN15

NEW



CONBASE exposed shower, brushed stainless steel, piezo switch, DN15 - final assembly kit

Final assembly kit for electronic shower, device designed as concealed shower in nominal diameter DN15. Without mixing device for connection to cold or premixed water. Application in new construction building and renovation in commercial, semi-public and public sanitary facilities.

- Water path for exposed mounting
- Cover made from stainless steel 1.4301
- All visible surfaces brushed stainless steel
- Dimensions: Ø 80x27 mm
- Water path with solenoid valve 6 V/DC ROBUST, bistable, DN15
- Electronic operation of the shower function via piezo switch with start/stop function, piezo switch: colour ring red
- The water flow time of the shower function is easily adjustable in electronic showers

Mains: Power supply over 12 V/DC power supply for surface-mounted version in installation box or for DIN top-hat rail mounting

Technical data:

Operating voltage (mains):	12 V/DC
Operating pressure:	1,5-5,0 bar
Water temp. standard operation (max.):	70 °C
Flow rate DN15:	0,15 l/s (flow rate regulator)
Water flow time setting range:	3-180 s
Water flow time factory setting:	30 s
Hygienic flush setting range:	12, 24 or 72 h, can be deactivated via setting on piezo switch, other hygienic flush intervals can be set via Service Monitor
Hygienic flush factory setting:	12 h after last water flow activation, 30 s water flow time
Electronic protection type:	IP68

Required accessories:
Shower head, central mains power supply

Version	Power supply	Hygienic flush	Hygienic flush key switch	Therm. disinfection (electronic)	Thermal disinfection CNX	Cleaning stop	Article number
Mains	12 V/DC power supply (see chapter accessories)	•					CONE3110173200
Shower heads	See chapter shower heads	CONHEAD jet shower head GOLF					CONO010000
		CONHEAD rain shower head RAIN2					CONO020000
		CONHEAD rain shower head SHORTY					CONO030000
		CONHEAD jet shower head VESUV					CONO060000
		CONHEAD jet shower head CITY					CONO050000
		CONHEAD hand shower set					CONO040000

Showers electronic

CONFREE freestanding shower, stainless steel, piezo switch, DN15



CONFREE freestanding shower, stainless steel, piezo switch, DN15, straight design

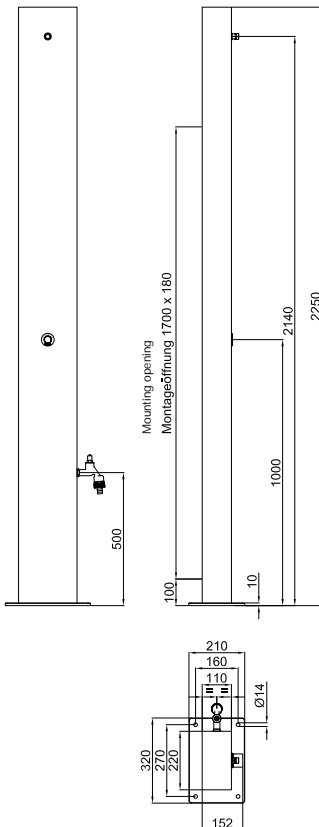
Electronic shower unit, freestanding casing made of stainless steel, activation by easy-to-operate piezo switch, demand-dependent and adjustable hygienic flush, for connection to cold or premixed water, freestanding installation.

Consisting of:


- Piezo switch, blue coloured ring, rosette high-gloss chromed
- Battery, lithium 6 V, waterproof sealed with connection cable and connector plug
- Solenoid valve 6 V/DC ROBUST, bistable, in cartridge design, with connecting cable and connector plug
- Plug-in connection for shower head with integrated flow rate regulator 0.15 l/s, chromed
- Freestanding casing: made of stainless steel, V4A, 1.4404, brushed finish, with a large, waterproof inspection cover for easy installation and maintenance, with a stable base flange with four mounting holes
- Connection: fitting (clamp connector) for PE pipe Ø 25 mm

Base functions:

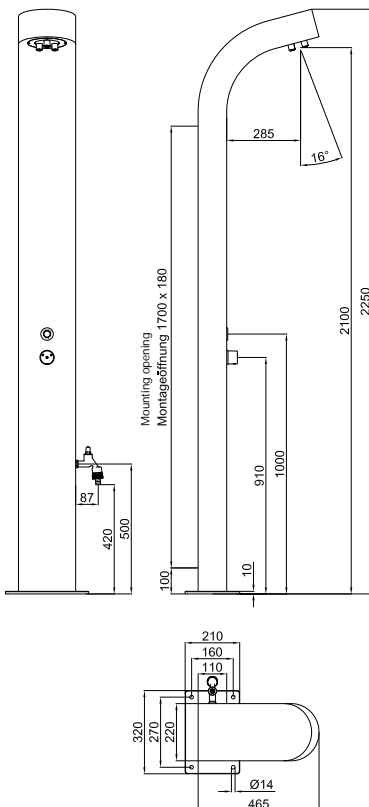
- Water flow time: 30 s factory setting (3-180 s) with start/stop function
- Hygienic flush factory setting: 30 s water flush after 12 h of last water flow activation (12, 24, 72 h adjustable or may be disabled)



CONFREE freestanding shower, stainless steel, piezo switch, DN15

<p>Technical data: Connection: Threaded fitting (clamp connector) for PE-pipe Ø25 mm Operating voltage: 6 V/DC Operating pressure: 1,0-5,0 bar Flow rate: 0,15 l/s (flow rate regulator) Dimensions: 2250x220x110 mm (HxWxD) Base flange: 320x210x10 mm Electronic protection type: IP68 (electronic components)</p>		<p>Required accessories: CONO650000 Base plate CONFREE CONO651000 Protective cover CONFREE CONO580000 Power supply unit CONFREE Shower head for version with frost protection circuit</p>		
				
Version	Power supply	With faucet	With frost protection circuit	Article number
Mains	12 V/DC series wiring to connect to central mains power supply (see chapter accessories)			CONE5418123100
		•		CONE5518123100
			•	CONE5618123100
Shower heads	See chapter shower heads	CONHEAD jet shower head GOLF		CONO010010
		CONHEAD rain shower head RAIN2		CONO020010
		CONHEAD rain shower head SHORTY		CONO030010
		CONHEAD jet shower head VESUV		CONO060010
		CONHEAD jet shower head CITY		CONO050010

CONFREE freestanding shower, stainless steel, thermostat, piezo switch, DN15



CONFREE freestanding shower, stainless steel, thermostat, piezo switch, DN15 curved design

Electronic shower unit, mains power-independent, with self-closing function and thermostatic mixer with anti-scald protection, jet shower head CONHEAD-MAXI, freestanding casing made of stainless steel, activation by easy-to-operate piezo switch, demand-dependent and adjustable hygienic flush, for connection to cold or hot water, freestanding installation.

Consisting of:


- Piezo switch, blue coloured ring, rosette high-gloss chromed
- Battery, lithium 6 V, waterproof sealed with connection cable and connector plug
- Solenoid valve 6 V/DC ROBUST, bistable, in cartridge design, with connecting cable and connector plug
- Thermostat battery, solid version, casing and actuating element made of brass, with safety lock with fixed stop, with integrated check valve (DVGW certified) and stainless steel sieves, temperature setting range 10-50 °C, with the option of manual thermal disinfection, chrome plated
- CONHEAD-MAXI jet shower head: fixed, heavy solid brass version, with three single jet nozzles, low maintenance, low aerosol, chrome plated
- Freestanding casing: made of stainless steel, V4A, 1.4404, with a large, waterproof inspection cover for easy installation and maintenance, with a stable base flange, with 4 mounting holes
- Connection: fitting (clamp connector) for PE pipe Ø 25 mm

Base functions:

- Water flow time: 30 s factory setting (3-180 s) with start/stop function
- Hygienic flush factory setting: 30 s water flush after 12 h of last water flow activation (12, 24, 72 h adjustable or may be disabled)


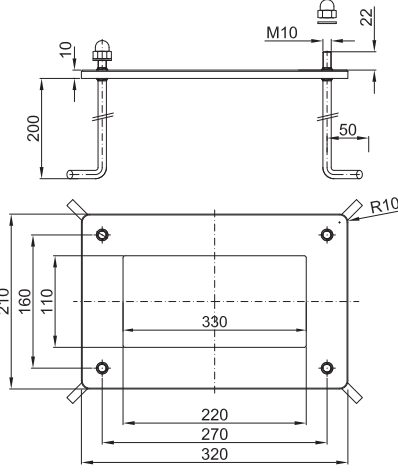
CONFREE freestanding shower, stainless steel, thermostat, piezo switch, DN15

<p>Technical data:</p> <p>Connection: Threaded fitting (clamp connector) for PE-pipe Ø25 mm</p> <p>Operating voltage: 6 V/DC</p> <p>Operating pressure: 1,0-5,0 bar</p> <p>Flow rate: 0,15 l/s (flow rate regulator)</p> <p>Dimensions: 2250x220x110 mm (HxWxD)</p> <p>Projection: 120/2100 mm</p> <p>Flow angle: 16°</p> <p>Base flange: 320x210x10 mm</p> <p>Electronic protection type: IP68 (electronic components)</p>	<p>Required accessories:</p> <p>CONO650000 Base plate CONFREE</p> <p>CONO651000 Protective cover CONFREE</p> <p>CONO580000 Power supply unit CONFREE, for version with frost protection circuit</p>
------------------------------------------------------------------------------------------------------------------------------------------------------------------------------------------------------------------------------------------------------------------------------------------------------------------------------------------------------------------------------------------------------------------------------------	------------------------------------------------------------------------------------------------------------------------------------------------------------------------------------------------------------

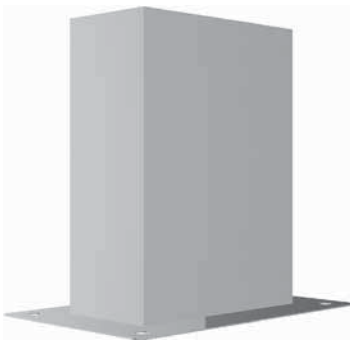
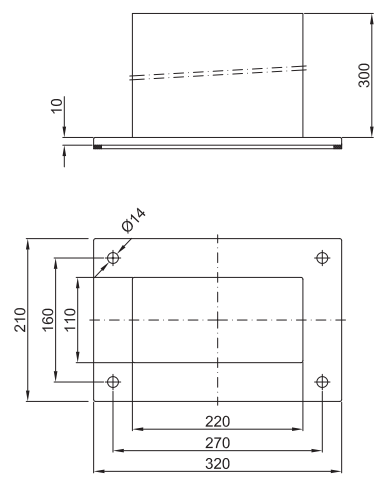
					
Version	Description	With faucet	With frost protection circuit	Article number	
Battery	CONFREE freestanding shower, stainless steel, with thermostat, battery, DN15			CONE5118221100	
		•		CONE5218221100	
			•	CONE5318221100	
	CONFREE freestanding shower, stainless steel polished, with thermostat, battery, DN15			on request	

Base plate CONFREE


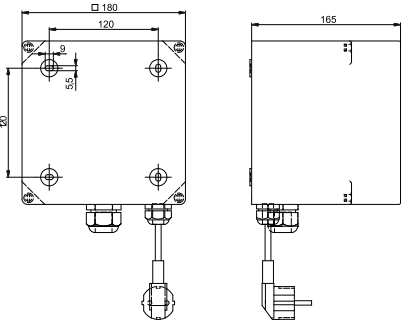
Showers
electronic

		<p>Base plate CONFREE, 320x210x10 mm, mounting base for freestanding showers</p> <p>Consisting of:</p> <ul style="list-style-type: none"> • Base plate, with 4 concrete anchor bolts M10, cap nuts and washers made of stainless steel, 1.4571 <p>Dimensions (WxHxD): 320x10x210 mm</p>
Description	Dimensions	Article number
Base plate CONFREE	320x10x210 mm	CONO650000

Protective cover CONFREE

		<p>Protective cover CONFREE, 320x210x300 mm</p> <p>Winter weather protective cover for dismantled freestanding showers CONFREE, stainless steel, 1.4301</p> <p>Dimensions (WxHxD): 320x310x210 mm</p>
Description	Material/colour	Article number
Protective cover CONFREE	Stainless steel	CONO651000

Power supply unit CONFREE 24 V/DC / 10A

		<p>Power supply unit CONFREE 24 V/DC / 10 A, with protection circuit 24 V/DC</p> <p>Consisting of:</p> <ul style="list-style-type: none"> Power supply unit 24 V/DC, 10 A, in protective housing IP66, including plug for connection to 230 V / 50 Hz, power socket and 2 m power cord for standard socket, to be installed on site <p>Technical data: Line voltage: 230 V / 50 Hz Operating voltage: 24 V/DC Dimensions (WxHxD): 180x180x165 mm</p>
Description	Version	Article number
Power supply unit CONFREE	24 V/DC / 10 A	CONO580000

A photograph of a modern shower stall. The walls are covered in light-colored, rectangular tiles. Two vertical, silver-colored mechanical shower panels are mounted on the wall. Each panel has a shower head at the top, a rectangular panel in the middle, and two circular controls at the bottom. A wall-mounted shower head is visible on the right wall. The floor is covered in a light-colored, textured mat. The ceiling is white with a recessed lighting fixture.

Mechanical showers

Mechanical showers for safe use in demanding everyday life

Public, semi-public and commercial shower applications place high demands on functional safety, vandalism, hygiene and maintenance.

The CONTI+ shower range has been consistently developed over the years and is therefore specialized and proven for this application.

A wide range of modern, mechanical shower panels, surface and flush-mounted versions covers every need. The high-quality materials and the simple design of the CONTI+ showers guarantee robustness on the one hand and easy cleaning and hygiene on the other.

In addition to simple operation and functional safety, CONTI+ showers are also characterized by their large number of upgrade and retrofit options as well as efficient maintenance.



Mechanical showers

Shower panels

CONGENIAL..... 118

Concealed showers - final assembly kits

CONGENIAL..... 126

CONGENIAL FIT 130

CONBASE MINI..... 142

Exposed showers

CONPRO 144

CONGENIAL shower panel, stainless steel, thermostat, water hydraulics, DN15

Showers
mechanical



CONGENIAL shower panel, stainless steel, thermostat, water hydraulics, DN15

Mechanical shower faucet designed as shower panel in nominal diameter DN15. With thermostatic mixing device for connection to cold and hot water. Application in new construction building and renovation in commercial, semi-public and public sanitary facilities.

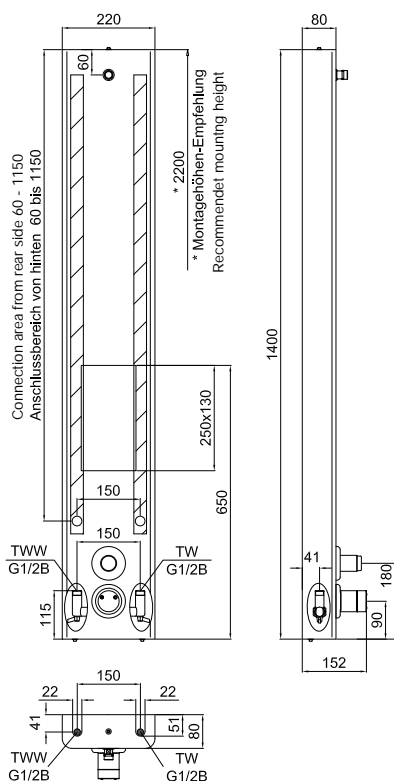
- Stainless steel shower panel. Model with mounting frame for fixing the water path, including mounting material
- Cover and mounting frame made of stainless steel 1.4301
- All visible surfaces made of brushed stainless steel. Dimensions (HxWxD): 1400x220x80 mm
- Multifunction tool for maintenance work
- Adaptive multifunctional water path CONGENIAL with manual TD plug installed for thermal disinfection
- Upgrade and retrofitting functions
- Water path: dezincification resistant forged brass, as a high-quality thermostatic mixer, thermostat handle: chromed brass
- Visible components made of solid, chromed brass, with safety stop
- Choice of temperature setting range
- Integrated check valve in the bypass and check valve and strainer cartridges for water inlets
- All functional parts can be disassembled from the front during maintenance work without removing the valve body
- Mechanic operation of the shower function via water-hydraulic self-closing button
- The water flow time of the shower function can be adjusted in mechanical hydraulic showers by means of an adjustment screw in the hydraulics of each shower

Cover versions:

With or without seamlessly integrated soap dish

Thermal disinfection (manual):

The thermal disinfection of a shower based on the adaptive multifunctional water path CONGENIAL with bypass solenoid valve can be executed with a manual TD plug installed in the bypass directly per shower.



CONGENIAL shower panel, stainless steel, thermostat, water hydraulics, DN15

Showers
mechanical

Technical data:







Operating pressure: 1,5-5,0 bar
 Water temp. standard operation (max.): 70 °C
 Water temp. thermal disinfection: Short-term for therm. disinfection 80 °C
 Flow rate DN15: 0,15 l/s (flow rate regulator)
 Water flow time setting range: 3-30 s
 Water flow time factory setting: 30 s

Required accessories:

Shower head, hand shower set

Optional accessories:

Connection kit
 Cover extension
 Solenoid valve 6 V/DC ROBUST, bistable, incl. electronics for electronic thermal disinfection (mains connection required)

											
Version		Hygienic flush	Hygienic flush ext. (key switch)	Thermal disinfection (manual)	Thermal disinfection CNX	Cleaning stop	Adjustable water flow time	Integrated shelf	Article number for version hand shower	Article number for version shower head	
Water hydraulics							•	•	CONM0212214000	CONM0112214000	
				•			•	•	CONM0212214002	CONM0112214002	
							•		CONM0211214000	CONM0111214000	
				•			•		CONM0211214002	CONM0111214002	
Shower heads	See chapter shower heads	CONHEAD jet shower head GOLF									CONO010010
		CONHEAD rain shower head RAIN2									CONO020010
		CONHEAD rain shower head SHORTY									CONO030010
		CONHEAD jet shower head VESUV									CONO060010
		CONHEAD jet shower head CITY									CONO050010
		CONHEAD hand shower set									CONO040010

CONGENIAL shower panel, AVW, thermostat, water hydraulics, DN15

Showers
mechanical



CONGENIAL shower panel, AVW, thermostat, water hydraulics, DN15

Mechanical shower faucet designed as shower panel in nominal diameter DN15. With thermostatic mixing device for connection to cold and hot water. Application in new construction building and renovation in commercial, semi-public and public sanitary facilities.

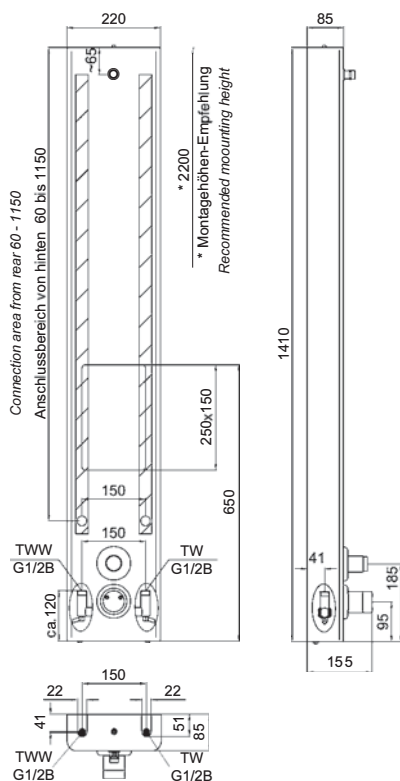
- AVW shower panel. Model with mounting frame for fixing the water path, including mounting material
- Cover 2K-acrylic composite material, dimension (HxWxD): 1410x220x80 mm, break-proof and impact-resistant, very easy to clean
- Mounting frame made of stainless steel 1.4301
- Multifunction tool for maintenance work
- Adaptive multifunctional water path CONGENIAL with manual TD plug installed for thermal disinfection
- Upgrade and retrofitting functions
- Water path: dezincification resistant forged brass, as a high-quality thermostatic mixer, thermostat handle: chromed brass
- Visible components made of solid, chromed brass, with safety stop
- Choice of temperature setting range
- Integrated check valve in the bypass and check valve and strainer cartridges for water inlets
- All functional parts can be disassembled from the front during maintenance work without removing the valve body
- Mechanic operation of the shower function via water-hydraulic self-closing button
- The water flow time of the shower function can be adjusted in mechanical hydraulic showers by means of an adjustment screw in the hydraulics of each shower

Cover versions:

With or without integrated soap dish

Thermal disinfection (manual):

The thermal disinfection of a shower based on the adaptive multifunctional water path CONGENIAL with bypass solenoid valve can be executed with a manual TD plug installed in the bypass directly per shower.



CONGENIAL shower panel, AVW, thermostat, water hydraulics, DN15

Technical data:







Operating pressure: 1,5-5,0 bar
 Water temp. standard operation (max.): 70 °C
 Water temp. thermal disinfection: Short-term for therm. disinfection 80 °C
 Flow rate DN15: 0,15 l/s (flow rate regulator)
 Water flow time setting range: 3-30 s
 Water flow time factory setting: 30 s

Required accessories:

Shower head, hand shower set

Optional accessories:

Connection kit
 Cover extension
 Solenoid valve 6 V/DC ROBUST, bistable, incl. electronics for electronic thermal disinfection (main connection required)

											
Version		Hygienic flush	Hygienic flush ext. (key switch)	Thermal disinfection (manual)	Thermal disinfection CNX	Cleaning stop	Adjustable water flow time	Integrated shelf	Article number for version hand shower	Article number for version shower head	
Water hydraulics							•	•	CONM0232214000	CONM0132214000	
				•			•	•	CONM0232214002	CONM0132214002	
							•		CONM0231214000	CONM0131214000	
				•			•		CONM0231214002	CONM0131214002	
Shower heads	See chapter shower heads	CONHEAD jet shower head GOLF									CONO010010
		CONHEAD rain shower head RAIN2									CONO020010
		CONHEAD rain shower head SHORTY									CONO030010
		CONHEAD jet shower head VESUV									CONO060010
		CONHEAD jet shower head CITY									CONO050010
		CONHEAD hand shower set								CONO040010	

CONGENIAL shower panel. stainless steel, thermostat, on/off-handle, DN15

Showers
mechanical



CONGENIAL shower panel, stainless steel, thermostat, on/off-handle, DN15

Mechanical shower faucet, designed as shower panel in nominal diameter DN15. With thermostatic mixing device for connection to cold and hot water. Application in new construction building and renovation in commercial, semi-public and public sanitary facilities.

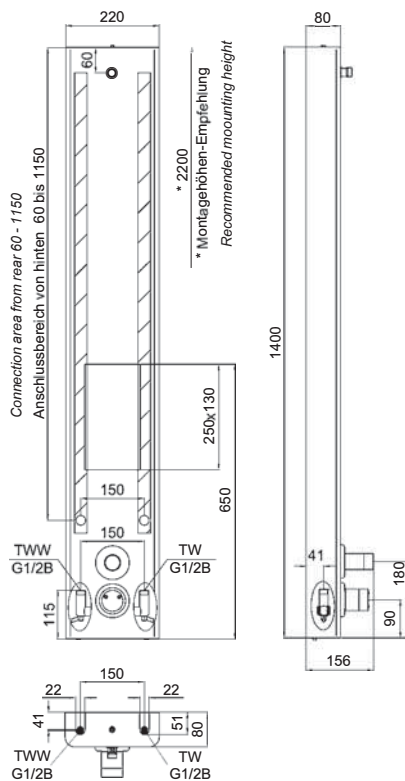
- Stainless steel shower panel. Model with mounting frame for fixing the water path, including mounting material
- Cover and mounting frame made of stainless steel 1.4301
- All visible surfaces made of brushed stainless steel; dimensions (HxWxD): 1400x220x80 mm
- Multifunction tool for maintenance work
- Adaptive multifunctional water path CONGENIAL with manual TD plug installed for thermal disinfection
- Upgrade and retrofitting functions
- Water path: dezincification resistant forged brass, as a high-quality thermostatic mixer, thermostat handle: chromed brass
- Visible components made of solid, chromed brass, with safety stop
- Choice of temperature setting range
- Integrated check valve in the bypass and check valve and strainer cartridges for water inlets
- All functional parts can be disassembled from the front during maintenance work without removing the valve body
- Mechanical operation of the shower function via on/off-handle

Cover versions:

With or without seamlessly integrated soap dish

Thermal disinfection (manual):







The thermal disinfection of a shower based on the adaptive multifunctional water path CONGENIAL with bypass solenoid valve can be executed with a manual TD plug installed in the bypass directly per shower.



CONGENIAL shower panel. stainless steel, thermostat, on/off-handle, DN15

Showers
mechanical

<p>Technical data: Operating pressure: 1,5-5,0 bar Water temp. standard operation (max.): 70 °C Water temp. thermal disinfection: Short-term for therm. disinfection 80 °C Flow rate DN15: 0,15 l/s (flow rate regulator)</p>	<p>Required accessories: Shower head, hand shower set</p> <p>Optional accessories: Connection kit Cover extension Solenoid valve 6 V/DC ROBUST, bistable, incl. electronics for electronic thermal disinfection (mains connection required)</p>
--------------------------------------------------------------------------------------------------------------------------------------------------------------------------------------------------------------------------------------------------------------------------------------------------------------------------	---------------------------------------------------------------------------------------------------------------------------------------------------------------------------------------------------------------------------------------------------------------------------------------------------------------------------------------------------

											
Version		Hygienic flush	Hygienic flush ext. (key switch)	Thermal disinfection (manual)	Thermal disinfection CNX	Cleaning stop	Adjustable water flow time	Integrated shelf	Article number for version hand shower	Article number for version shower head	
On/off-handle								•	CONM0212216000	CONM0112216000	
				•				•	CONM0212216002	CONM0112216002	
									CONM0211216000	CONM0111216000	
				•					CONM0211216002	CONM0111216002	
Shower heads	See chapter shower heads	CONHEAD jet shower head GOLF									CONO010010
		CONHEAD rain shower head RAIN2									CONO020010
		CONHEAD rain shower head SHORTY									CONO030010
		CONHEAD jet shower head VESUV									CONO060010
		CONHEAD jet shower head CITY									CONO050010
		CONHEAD hand shower set									CONO040010

CONGENIAL shower panel, AVW, thermostat, on/off-handle, DN15

Showers
mechanical



CONGENIAL shower panel, AVW, thermostat, on/off-handle, DN15

Mechanical shower faucet designed as shower panel in nominal diameter DN15. With thermostatic mixing device for connection to cold and hot water. Application in new construction building and renovation in commercial, semi-public and public sanitary facilities.

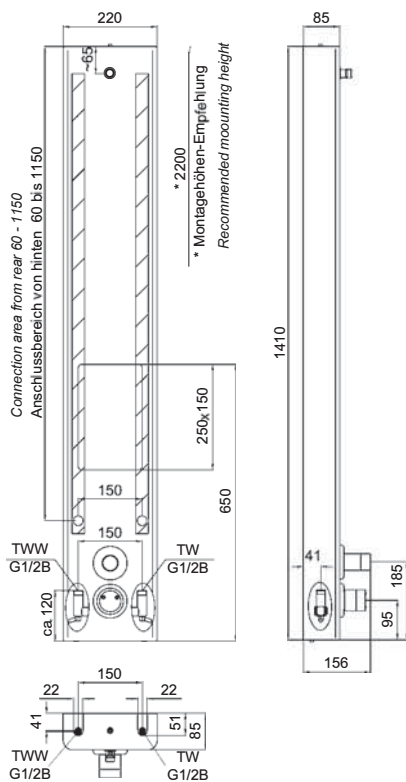
- AVW shower panel. Model with mounting frame for fixing the water path, including mounting material
- Cover 2K-acrylic composite material, dimension (HxWxD): 1410x220x80 mm, break-proof and impact-resistant, very easy to clean
- Mounting frame made of stainless steel 1.4301
- Multifunction tool for maintenance work
- Adaptive multifunctional water path CONGENIAL with manual TD plug installed for thermal disinfection
- Upgrade and retrofitting functions
- Water path: dezincification resistant forged brass, as a high-quality thermostatic mixer, thermostat handle: chromed brass
- Visible components made of solid, chromed brass, with safety stop
- Choice of temperature setting range
- Integrated check valve in the bypass and check valve and strainer cartridges for water inlets
- All functional parts can be disassembled from the front during maintenance work without removing the valve body
- Mechanical operation of the shower function via on/off-handle

Cover versions:

With or without seamlessly integrated soap dish

Thermal disinfection (manual):

The thermal disinfection of a shower based on the adaptive multifunctional water path CONGENIAL with bypass solenoid valve can be executed with a manual TD plug installed in the bypass directly per shower.



CONGENIAL shower panel, AVW, thermostat, on/off-handle, DN15

Showers
mechanical

Technical data:







Operating pressure: 1,5-5,0 bar
 Water temp. standard operation (max.): 70 °C
 Water temp. thermal disinfection: Short-term for therm. disinfection 80 °C
 Flow rate DN15: 0,15 l/s (flow rate regulator)

Required accessories:

Shower head, hand shower set

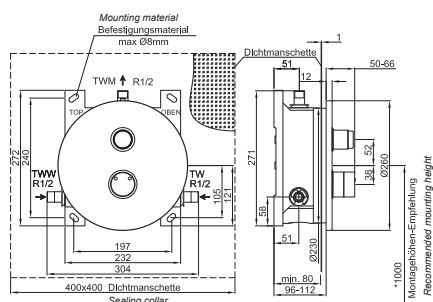
Optional accessories:

Connection kit
 Cover extension
 Solenoid valve 6 V/DC ROBUST, bistable, incl. electronics for electronic thermal disinfection (mains connection required)

											
Version		Hygienic flush	Hygienic flush ext. (key switch)	Thermal disinfection (manual)	Thermal disinfection CNX	Cleaning stop	Adjustable water flow time	Integrated shelf	Article number for version hand shower	Article number for version shower head	
On/off-handle				•				•	CONM0232216000	CONM0132216000	
								•	CONM0232216002	CONM0132216002	
									CONM0231216000	CONM0131216000	
				•					CONM0231216002	CONM0131216002	
Shower heads	See chapter shower heads	CONHEAD jet shower head GOLF									CONO010010
		CONHEAD rain shower head RAIN2									CONO020010
		CONHEAD rain shower head SHORTY									CONO030010
		CONHEAD jet shower head VESUV									CONO060010
		CONHEAD jet shower head CITY									CONO050010
		CONHEAD hand shower set								CONO040010	

CONGENIAL concealed shower, stainless steel, round, thermostat, water hydraulics, DN15

Showers
mechanical



CONGENIAL concealed shower, stainless steel, round, thermostat, water hydraulics, DN15 - final assembly kit

Final assembly kit for mechanical shower, device designed as concealed shower in nominal diameter DN15. With thermostatic mixing device for connection to cold and hot water. Application in new construction building and renovation in commercial, semi-public and public sanitary facilities.

- Concealed shower final assembly kit with round cover plate
- Concealed mounting, robust quadruple lock, multi sealing system with drainage system for condensation
- Cover plate: stainless steel 1.4301, all visible surfaces made of brushed stainless steel, dimensions (ØxD): 260x12 mm
- Support frame for cover plate: ABS with EPDM lip seal
- Implementing functional elements and thermostat incl. EPDM sealing rings
- Multifunction tool for maintenance work
- Adaptive multifunctional water path CONGENIAL with manual TD plug installed for thermal disinfection
- Upgrade and retrofitting functions
- Water path: dezincification resistant forged brass, as a high-quality thermostatic mixer, thermostat handle: chromed brass
- Visible components made of solid chromed brass, with safety stop
- Choice of temperature setting range
- Integrated check valve in the bypass and check valve and strainer cartridges for water inlets
- Some of the functional parts can be dismantled during maintenance work without removing the valve body
- Mechanical operation of the shower function via water-hydraulic self-closing button
- The water flow time of the shower function can be adjusted in mechanical hydraulic showers by means of an adjustment screw in the hydraulics of each shower

Thermal disinfection (manual):

The thermal disinfection of a shower based on the adaptive multifunctional water path CONGENIAL with bypass solenoid valve can be executed with a manual TD plug installed in the bypass directly per shower.

Technical data:

Operating pressure: 1,5-5,0 bar
 Water temp. standard operation (max.): 70 °C
 Water temp. thermal disinfection: Short-term for therm. disinfection 80 °C
 Flow rate DN15: 0,15 l/s (flow rate regulator)
 Water flow time setting range: 3- 120 s
 Water flow time factory setting: 30 s

Required accessories:

CONR0112 raw-assembling set, alternatively CONR1112 shower head, hand shower set

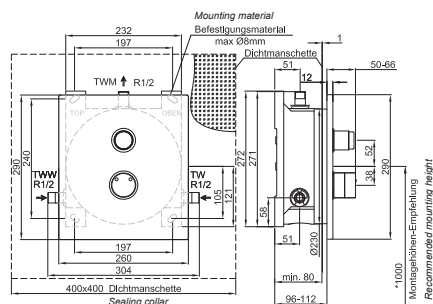
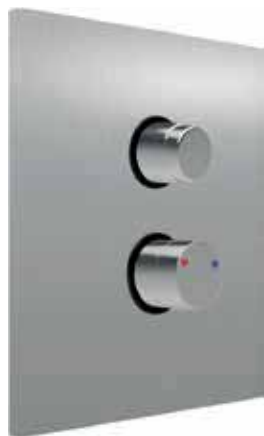
Optional accessories:

Solenoid valve 6 V/DC ROBUST, bistable, incl. electronics for electronic thermal disinfection (mains connection required)

Version		Hygienic flush	Hygienic flush ext. (key switch)	Thermal disinfection (manual)	Thermal disinfection CNX	Cleaning stop	Adjustable water flow time	Article number
Water-hydraulics				•			•	CONM2113214000
							•	CONM2113214020
Shower heads	See chapter shower heads	CONHEAD jet shower head GOLF						CONO010000
		CONHEAD rain shower head RAIN2						CONO020000
		CONHEAD rain shower head SHORTY						CONO030000
		CONHEAD jet shower head VESUV						CONO060000
		CONHEAD jet shower head CITY						CONO050000
		CONHEAD hand shower set						CONO040000

CONGENIAL concealed shower, stainless steel, square, thermostat, water hydraulics, DN15

Showers
mechanical



CONGENIAL concealed shower, stainless steel, square, thermostat, water hydraulics, DN15 - final assembly kit

Final assembly kit for mechanical shower, device designed as concealed shower in nominal diameter DN15. With thermostatic mixing device for connection to cold and hot water. Application in new construction building and renovation in commercial, semi-public and public sanitary facilities.

- Concealed shower final assembly kit with square cover plate
- Concealed mounting, robust double lock, multi sealing system with drainage system for condensation
- Cover plate: stainless steel 1.4301, all visible surfaces made of brushed stainless steel, dimensions (HxVxD): 290x260x12 mm
- Support frame for cover plate: ABS with EPDM lip seal
- Implementing functional elements and thermostat incl. EPDM sealing rings
- Multifunction tool for maintenance work
- Adaptive multifunctional water path CONGENIAL with manual TD plug installed for thermal disinfection
- Upgrade and retrofitting functions
- Water path: dezincification resistant forged brass, as a high-quality thermostatic mixer, thermostat handle: chromed brass
- Visible components made of solid chromed brass, with safety stop
- Choice of temperature setting range
- Integrated check valve in the bypass and check valve and strainer cartridges for water inlets
- Some of the functional parts can be dismantled during maintenance work without removing the valve body
- Mechanical operation of the shower function via water-hydraulic self-closing button
- The water flow time of the shower function can be adjusted in mechanical hydraulic showers by means of an adjustment screw in the hydraulics of each shower

Thermal disinfection (manual):

The thermal disinfection of a shower based on the adaptive multifunctional water path CONGENIAL with bypass solenoid valve can be executed with a manual TD plug installed in the bypass directly per shower.

Technical data:

Operating pressure: 1,5-5,0 bar
 Water temp. standard operation (max.): 70 °C
 Water temp. thermal disinfection: Short-term for therm. disinfection 80 °C
 Flow rate DN15: 0,15 l/s (flow rate regulator)
 Water flow time setting range: 3-120 s
 Water flow time factory setting: 30 s

Required accessories:

CONR0112 Raw-assembling set, alternatively CONR112 shower head, hand shower set

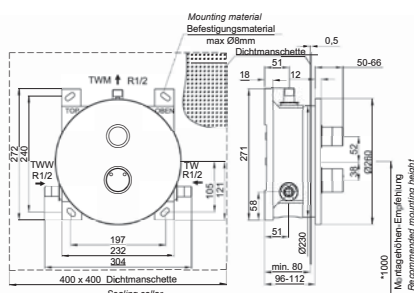
Optional accessories:

Solenoid valve 6 V/DC ROBUST, bistable, incl. electronics for electronic thermal disinfection (mains connection required)

Version		Hygienic flush	Hygienic flush ext. (key switch)	Thermal disinfection (manual)	Thermal disinfection CNX	Cleaning stop	Adjustable water flow time	Article number
Water-hydraulics				•			•	CONM2115214000
							•	CONM2115214020
Shower heads	See chapter shower heads	CONHEAD jet shower head GOLF						CONO010000
		CONHEAD rain shower head RAIN2						CONO020000
		CONHEAD rain shower head SHORTY						CONO030000
		CONHEAD jet shower head VESUV						CONO060000
		CONHEAD jet shower head CITY						CONO050000
		CONHEAD hand shower set						CONO040000

CONGENIAL concealed shower, stainless steel, round, thermostat, on/off-handle, DN15

Showers
mechanical



CONGENIAL concealed shower, stainless steel, round, thermostat, on/off-handle, DN15 - final assembly kit

Final assembly kit for mechanical shower, device designed as concealed shower in nominal diameter DN15. With thermostatic mixing device for connection to cold and hot water. Application in new construction building and renovation in commercial, semi-public and public sanitary facilities.

- Concealed shower final assembly kit with round cover plate
- Concealed mounting, robust quadruple lock, multi sealing system with drainage system for condensation
- Cover plate: stainless steel 1.4301, all visible surfaces made of brushed stainless steel, dimensions (ØxD): 260x12 mm
- Support frame for cover plate: ABS with EPDM lip seal
- Implementing functional elements and thermostat incl. EPDM sealing rings
- Multifunction tool for maintenance work
- Adaptive multifunctional water path CONGENIAL with manual TD plug installed for thermal disinfection
- Upgrade and retrofitting functions
- Water path: dezincification resistant forged brass, as a high-quality thermostatic mixer, thermostat handle: chromed brass
- Visible components made of solid chromed brass, with safety stop
- Choice of temperature setting range
- Integrated check valve in the bypass and check valve and strainer cartridges for water inlets
- Some of the functional parts can be dismantled during maintenance work without removing the valve body
- Mechanical operation of the shower function via on/off-handle

Thermal disinfection (manual):

The thermal disinfection of a shower based on the adaptive multifunctional water path CONGENIAL with bypass solenoid valve can be executed with a manual TD plug installed in the bypass directly per shower.

Technical data:

Operating pressure: 1,5-5,0 bar
 Water temp. standard operation (max.): 70 °C
 Water temp. thermal disinfection: Short-term for therm. disinfection 80 °C
 Flow rate DN15: 0,15 l/s (flow rate regulator)

Required accessories:

CONR0112 raw-assembling set, alternatively CONR1112 shower head, hand shower set

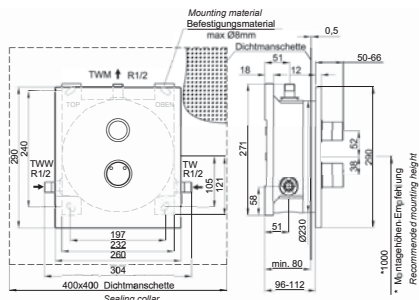
Optional accessories:

Solenoid valve 6 V/DC ROBUST, bistable, incl. electronics for electronic thermal disinfection (mains connection required)

Version		Hygienic flush	Hygienic flush ext. (key switch)	Thermal disinfection (manual)	Thermal disinfection CNX	Cleaning stop	Adjustable water flow time	Article number
On/off-handle				•				CONM2113216000
								CONM2113216020
Shower heads	See chapter shower heads	CONHEAD jet shower head GOLF						CONO010000
		CONHEAD rain shower head RAIN2						CONO020000
		CONHEAD rain shower head SHORTY						CONO030000
		CONHEAD jet shower head VESUV						CONO060000
		CONHEAD jet shower head CITY						CONO050000
		CONHEAD hand shower set						CONO040000

CONGENIAL concealed shower, stainless steel, square, thermostat, on/off-handle, DN15

Showers
mechanical



CONGENIAL concealed shower, stainless steel, square, thermostat, on/off-handle, DN15 - final assembly kit

Final assembly kit for mechanical shower, device designed as concealed shower in nominal Application in new construction building and renovation in commercial, semi-public and public sanitary facilities.

- Concealed shower final assembly kit with square cover plate
- Concealed mounting, robust double lock, multi sealing system with drainage system for condensation
- Cover plate: stainless steel 1.4301, all visible surfaces made of brushed stainless steel, dimensions (HxWxD): 290x260x12 mm
- Support frame for cover plate: ABS with EPDM lip seal
- Implementing functional elements and thermostat incl. EPDM sealing rings
- Multifunction tool for maintenance work
- Adaptive multifunctional water path CONGENIAL with manual TD plug installed for thermal disinfection
- Upgrade and retrofitting functions
- Water path: dezincification resistant forged brass, as a high-quality thermostatic mixer, thermostat handle: chromed brass
- Visible components made of solid chromed brass, with safety stop
- Choice of temperature setting range
- Integrated check valve in the bypass and check valve and strainer cartridges for water inlets
- Some of the functional parts can be dismantled during maintenance work without removing the water path
- Mechanical operation of the shower function via on/off-handle

Thermal disinfection (manual):

The thermal disinfection of a shower based on the adaptive multifunctional water path CONGENIAL with bypass solenoid valve can be executed with a manual TD plug installed in the bypass directly per shower.

Technical data:

Operating pressure: 1,5-5,0 bar
 Water temp. standard operation (max.): 70 °C
 Water temp. thermal disinfection: Short-term for therm. disinfection 80 °C
 Flow rate DN15: 0,15 l/s (flow rate regulator)

Required accessories:

CONR0112 Raw-assembling set, alternatively CONR1112 shower head, hand shower set

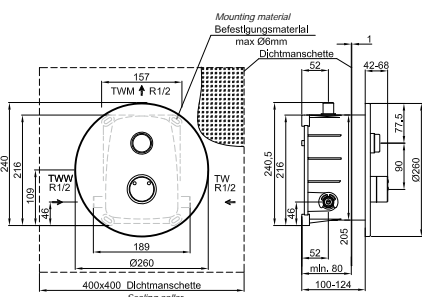
Optional accessories:

Solenoid valve 6 V/DC ROBUST, bistable, incl. electronics for electronic thermal disinfection (mains connection required)

Version		Hygienic flush	Hygienic flush ext. (key switch)	Thermal disinfection (manual)	Thermal disinfection CNX	Cleaning stop	Adjustable water flow time	Article number
On/off-handle				•				CONM2115216000
								CONM2115216020
Shower heads	See chapter shower heads	CONHEAD jet shower head GOLF						CONO010000
		CONHEAD rain shower head RAIN2						CONO020000
		CONHEAD rain shower head SHORTY						CONO030000
		CONHEAD jet shower head VESUV						CONO060000
		CONHEAD jet shower head CITY						CONO050000
		CONHEAD hand shower set						CONO040000

CONGENIAL FIT concealed shower, stainless steel, round, water hydraulics, DN15

Showers
mechanical



CONGENIAL FIT concealed shower, stainless steel, round, water hydraulics, DN15 - final assembly kit

Final assembly kit for mechanical shower device, designed as concealed shower in nominal diameter DN15. With thermostatic mixing device for connection to cold and hot water. Application in new construction building and renovation in commercial, semi-public and public sanitary facilities.

- Concealed shower final assembly kit with round cover plate
- Concealed mounting, robust double lock, multi sealing system with drainage system for condensation
- Cover plate: stainless steel 1.4301, all visible surfaces made of brushed stainless steel, dimensions (ØxD): 260x12 mm
- Support frame for cover plate
- Implementing functional elements and thermostat incl. EPDM sealing rings
- Multifunction tool for maintenance work
- Adaptive multifunctional water path CONGENIAL with manual TD plug installed for thermal disinfection
- Upgrade and retrofitting functions
- Water path: dezincification resistant forged brass, as a high-quality thermostatic mixer, thermostat handle: chromed brass
- Visible components made of solid chromed brass, with safety stop
- Choice of temperature setting range
- Integrated check valve in the bypass and check valve and strainer cartridges for water inlets
- Some of the functional parts can be dismantled during maintenance work without removing the valve body
- Mechanical operation of the shower function via water-hydraulic self-closing button
- The water flow time of the shower function can be adjusted in mechanical hydraulic showers by means of an adjustment screw in the hydraulics of each shower

Thermal disinfection (manual):

The thermal disinfection of a shower based on the adaptive multifunctional water path CONGENIAL with bypass solenoid valve can be executed with a manual TD plug installed in the bypass directly per shower.

Technical data:

Operating pressure: 1,5-5,0 bar
 Water temp. standard operation (max.): 70 °C
 Water temp. thermal disinfection: Short-term for therm. disinfection 80 °C
 Flow rate DN15: 0,15 l/s (flow rate regulator)
 Water flow time setting range: 3-120 s
 Water flow time factory setting: 30 s

Required accessories:

CONR2112 Raw-assembling set, shower head, hand shower set

Optional accessories:

Solenoid valve 6 V/DC ROBUST, bistable, incl. electronics for electronic thermal disinfection (mains connection required)

Version		Hygienic flush	Hygienic flush ext. (key switch)	Thermal disinfection (manual)	Thermal disinfection CNX	Cleaning stop	Adjustable water flow time	Article number
Water hydraulics				•			•	CONM2114214000
							•	CONM2114214020
Shower heads	See chapter shower heads	CONHEAD jet shower head GOLF						CONO010000
		CONHEAD rain shower head RAIN2						CONO020000
		CONHEAD rain shower head SHORTY						CONO030000
		CONHEAD jet shower head VESUV						CONO060000
		CONHEAD jet shower head CITY						CONO050000
		CONHEAD hand shower set						CONO040000

CONGENIAL FIT concealed shower, chromed, round, water hydraulics, DN15

Showers
mechanical



CONGENIAL FIT concealed shower, chromed, round, FM, water hydraulics, DN15 - final assembly kit

Final assembly kit for mechanical shower device, designed as concealed shower in nominal diameter DN15. With thermostatic mixing device for connection to cold and hot water. Application in new construction building and renovation in commercial, semi-public and public sanitary facilities.

- Concealed shower final assembly kit with round cover plate
- Concealed mounting, robust double lock, multi sealing system with drainage system for condensation
- Cover plate: stainless steel 1.4301, all visible surfaces made of stainless steel, chromed, dimensions (ØxD): 260x12 mm
- Support frame for cover plate
- Implementing functional elements and thermostat incl. EPDM sealing rings
- Multifunction tool for maintenance work
- Adaptive multifunctional water path CONGENIAL with manual TD plug installed for thermal disinfection
- Upgrade and retrofitting functions
- Water path: dezincification resistant forged brass, as a high-quality thermostatic mixer, thermostat handle: chromed brass
- Visible components made of solid chromed brass, with safety stop
- Choice of temperature setting range
- Integrated check valve in the bypass and check valve and strainer cartridges for water inlets
- Some of the functional parts can be dismantled during maintenance work without removing the valve body
- Mechanical operation of the shower function via water-hydraulic self-closing button
- The water flow time of the shower function can be adjusted in mechanical hydraulic showers by means of an adjustment screw in the hydraulics of each shower

Thermal disinfection (manual):

The thermal disinfection of a shower based on the adaptive multifunctional water path CONGENIAL with bypass solenoid valve can be executed with a manual TD plug installed in the bypass directly per shower.

Technical data:

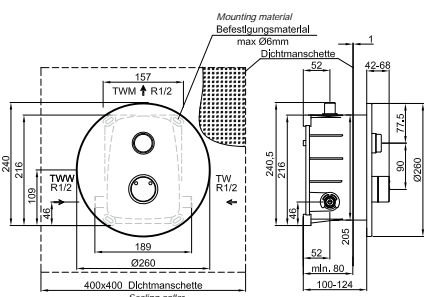
Operating pressure: 1,5-5,0 bar
 Water temp. standard operation (max.): 70 °C
 Water temp. thermal disinfection: Short-term for therm. disinfection 80 °C
 Flow rate DN15: 0,15 l/s (flow rate regulator)
 Water flow time setting ranges: 3-120 s
 Water flow time factory setting: 30 s

Required accessories:

CONR2112 raw-assembling set, shower head, hand shower set

Optional accessories:

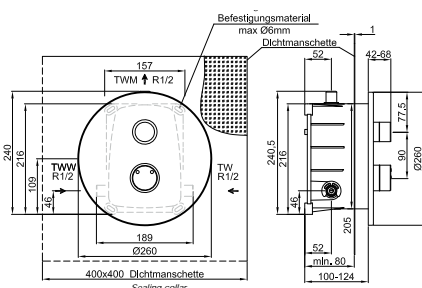
Solenoid valve 6 V/DC ROBUST, bistable, incl. electronics for electronic thermal disinfection (mains connection required)



Version		Hygienic flush	Hygienic flush ext. (key switch)	Thermal disinfection (manual)	Thermal disinfection CNX	Cleaning stop	Adjustable water flow time	Article number
Water-hydraulics				•			•	CONM2154214000
							•	CONM2154214020
Shower heads	See chapter shower heads	CONHEAD jet shower head GOLF						CONO010000
		CONHEAD rain shower head RAIN2						CONO020000
		CONHEAD rain shower head SHORTY						CONO030000
		CONHEAD jet shower head VESUV						CONO060000
		CONHEAD jet shower head CITY						CONO050000
		CONHEAD hand shower set						CONO040000

CONGENIAL FIT concealed shower, stainless steel, round, on/off-handle, DN15

Showers
mechanical



CONGENIAL FIT concealed shower, stainless steel, round, on/off-handle, DN15 - final assembly kit

Final assembly kit for mechanical shower device designed as concealed shower in nominal diameter DN15. With thermostatic mixing device for connection to cold and hot water. Application in new construction building and renovation in commercial, semi-public and public sanitary facilities.

- Concealed shower final assembly kit with round cover plate
- Concealed mounting, robust double lock, multi sealing system with drainage system for condensation
- Cover plate: stainless steel 1.4301, all visible surfaces made of brushed stainless steel, dimensions (ØxD): 260x12 mm
- Support frame for cover plate
- Implementing functional elements and thermostat incl. EPDM sealing rings
- Multifunction tool for maintenance work
- Adaptive multifunctional water path CONGENIAL with manual TD plug installed for thermal disinfection
- Upgrade and retrofitting functions
- Water path: dezincification resistant forged brass, as a high-quality thermostatic mixer, thermostat handle: chromed brass
- Visible components made of solid chromed brass, with safety stop
- Choice of temperature setting range
- Integrated check valve in the bypass and check valve and strainer cartridges for water inlets
- Some of the functional parts can be dismantled during maintenance work without removing the valve body
- Mechanical operation of the shower function via on/off-handle

Thermal disinfection (manual):

The thermal disinfection of a shower based on the adaptive multifunctional water path CONGENIAL with bypass solenoid valve can be executed with a manual TD plug installed in the bypass directly per shower.

Technical data:

Operating pressure: 1,5-5,0 bar
 Water temp. standard operation (max.): 70 °C
 Water temp. thermal disinfection: Short-term for therm. disinfection 80 °C
 Flow rate DN15: 0,15 l/s (flow rate regulator)

Required accessories:

CONR2112 raw-assembling set, shower head, hand shower set

Optional accessories:

Solenoid valve 6 V/DC ROBUST, bistable, incl. electronics for electronic thermal disinfection (mains connection required)

Version		Hygienic flush	Hygienic flush ext. (key switch)	Thermal disinfection (manual)	Thermal disinfection CNX	Cleaning stop	Adjustable water flow time	Article number	
On/off-handle				•				CONM2114216000	
								CONM2114216020	
Shower heads	See chapter shower heads	CONHEAD jet shower head GOLF						CONO010000	
		CONHEAD rain shower head RAIN2						CONO020000	
		CONHEAD rain shower head SHORTY						CONO030000	
		CONHEAD jet shower head VESUV						CONO060000	
		CONHEAD jet shower head CITY						CONO050000	
		CONHEAD hand shower set						CONO040000	

CONGENIAL FIT concealed shower, chromed, round, on/off-handle, DN15

Showers
mechanical



CONGENIAL FIT concealed shower, chromed, round, on/off-handle, DN15 - final assembly kit

Final assembly kit for mechanical shower, device designed as concealed shower in nominal diameter DN15. With thermostatic mixing device for connection to cold and hot water. Application in new construction building and renovation in commercial, semi-public and public sanitary facilities.

- Concealed shower final assembly kit with round cover plate
- Concealed mounting, robust double lock, multi sealing system with drainage system for condensation
- Cover plate: stainless steel 1.4301, all visible surfaces made of stainless steel, chromed, dimensions (ØxD): 260x12 mm
- Support frame for cover plate
- Implementing functional elements and thermostat EPDM sealing rings
- Multifunction tool for maintenance work
- Adaptive multifunctional water path CONGENIAL with manual TD plug installed for thermal disinfection
- Upgrade and retrofitting functions
- Water path: dezincification resistant forged brass, as a high-quality thermostatic mixer, thermostat handle: chromed brass
- Visible components made of solid chromed brass, with safety stop
- Choice of temperature setting range
- Integrated check valve in the bypass and check valve and strainer cartridges for water inlets - some of the functional parts can be dismantled during maintenance work without removing the valve body
- Mechanical operation of the shower function via on/off-handle

Thermal disinfection (manual):

The thermal disinfection of a shower based on the adaptive multifunctional water path CONGENIAL with bypass solenoid valve can be executed with a manual TD plug installed in the bypass directly per shower.

Technical data:

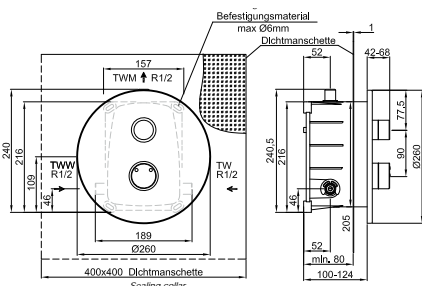
Operating pressure: 1,5-5,0 bar
 Water temp. standard operation (max.): 70 °C
 Water temp. thermal disinfection: Short-term for therm. disinfection 80 °C
 Flow rate DN15: 0,15 l/s (flow rate regulator)

Required accessories:

CONR2112 raw-assembling set, shower head, hand shower set

Optional accessories:

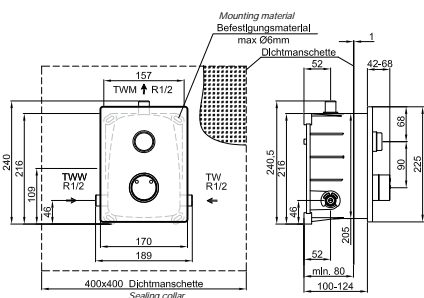
Solenoid valve 6 V/DC ROBUST, bistable, incl. electronics for electronic thermal disinfection (mains connection required)



								Article number
Version		Hygienic flush	Hygienic flush ext. (key switch)	Thermal disinfection (manual)	Thermal disinfection CNX	Cleaning stop	Adjustable water flow time	
On/off-handle				•				CONM2154216000
								CONM2154216020
Shower heads	See chapter shower heads	CONHEAD jet shower head GOLF						CONO010000
		CONHEAD rain shower head RAIN2						CONO020000
		CONHEAD rain shower head SHORTY						CONO030000
		CONHEAD jet shower head VESUV						CONO060000
		CONHEAD jet shower head CITY						CONO050000
		CONHEAD hand shower set						CONO040000

CONGENIAL FIT concealed shower, stainless steel, square, water hydraulics, DN15

Showers
mechanical



CONGENIAL FIT concealed shower, stainless steel, square, water hydraulics, DN15 - final assembly kit

Final assembly kit for mechanical shower, device designed as concealed shower in nominal diameter DN15. With thermostatic mixing device for connection to cold and hot water. Application in new construction building and renovation in commercial, semi-public and public sanitary facilities.

- Concealed shower final assembly kit with square cover plate
- Concealed mounting, robust double lock, multi sealing system with drainage system for condensation
- Cover plate: stainless steel 1.4301, all visible surfaces made of brushed stainless steel, dimensions (HxWxD): 225x170x10 mm
- Support frame for cover plate
- Implementing functional elements and thermostat EPDM sealing rings
- Multifunction tool for maintenance work
- Adaptive multifunctional water path CONGENIAL with manual TD plug installed for thermal disinfection
- Upgrade and retrofitting functions
- Water path: dezincification resistant forged brass, as a high-quality thermostatic mixer, thermostat handle: chromed brass
- Visible components made of solid chromed brass, with safety stop
- Choice of temperature setting range
- Integrated check valve in the bypass and check valve and strainer cartridges for water inlets
- Some of the functional parts can be dismantled during maintenance work without removing the valve body
- Mechanical operation of the shower function via water-hydraulic self-closing button
- The water flow time of the shower function can be adjusted in mechanical hydraulic showers by means of an adjustment screw in the hydraulics of each shower

Thermal disinfection (manual):

The thermal disinfection of a shower based on the adaptive multifunctional water path CONGENIAL with bypass solenoid valve can be executed with a manual TD plug installed in the bypass directly per shower.

Technical data:

Operating pressure:	1,5-5,0 bar
Water temp. standard operation (max.):	70 °C
Water temp. thermal disinfection:	Short-term for therm. disinfection 80 °C
Flow rate DN15:	0,15 l/s (flow rate regulator)
Water flow time setting range:	3 - 120 s
Water flow time factory setting:	30 s

Required accessories:

CONR2112 raw-assembling set, shower head, hand shower set

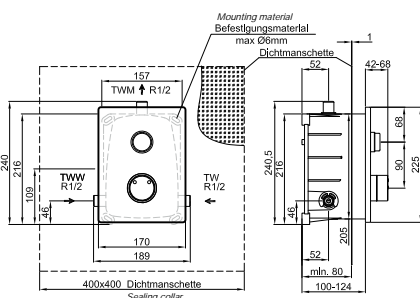
Optional accessories:

Solenoid valve 6 V/DC ROBUST, bistable, incl. electronics for electronic thermal disinfection (mains connection required)

Version		Hygienic flush	Hygienic flush ext. (key switch)	Thermal disinfection (manual)	Thermal disinfection CNX	Cleaning stop	Adjustable water flow time	Article number
Water hydraulics				•			•	CONM2116214000
							•	CONM2116214020
Shower heads	See chapter shower heads	CONHEAD jet shower head GOLF						CONO010000
		CONHEAD rain shower head RAIN2						CONO020000
		CONHEAD rain shower head SHORTY						CONO030000
		CONHEAD jet shower head VESUV						CONO060000
		CONHEAD jet shower head CITY						CONO050000
		CONHEAD hand shower set						CONO040000

CONGENIAL FIT concealed shower, chromed, square, water hydraulics, DN15

Showers
mechanical



CONGENIAL FIT concealed shower, chromed, square, water hydraulics, DN15 - final assembly kit

Final assembly kit for electronic shower, device designed as concealed shower in nominal diameter DN15. With thermostatic mixing device for connection to cold and hot water. Application in new construction building and renovation in commercial, semi-public and public sanitary facilities.

- Concealed shower final assembly kit with square cover plate
- Concealed mounting, robust double lock, multi sealing system with drainage system for condensation
- Cover plate: stainless steel 1.4301, all visible surfaces made of stainless steel, chromed, dimensions (HxWxD): 225x170x10 mm
- Support frame for cover plate
- Implementing functional elements and thermostat EPDM sealing rings
- Multifunction tool for maintenance work
- Adaptive multifunctional water path CONGENIAL with manual TD plug installed for thermal disinfection
- Upgrade and retrofitting functions
- Water path: dezincification resistant forged brass, as a high-quality thermostatic mixer, thermostat handle: chromed brass
- Visible components made of solid chromed brass, with safety stop
- Choice of temperature setting range
- Integrated check valve in the bypass and check valve and strainer cartridges for water inlets
- Some of the functional parts can be dismantled during maintenance work without removing the valve body
- Mechanical operation of the shower function via water-hydraulic self-closing button
- The water flow time of the shower function can be adjusted in mechanical hydraulic showers by means of an adjustment screw in the hydraulics of each shower

Thermal disinfection (manual):

The thermal disinfection of a shower based on the adaptive multifunctional water path CONGENIAL with bypass solenoid valve can be executed with a manual TD plug installed in the bypass directly per shower.

Technical data:

Operating pressure: 1,5-5,0 bar
 Water temp. standard operation (max.): 70 °C
 Water temp. thermal disinfection: Short-term for therm. Disinfection 80 °C
 Flow rate DN15: 0,15 l/s (flow rate regulator)
 Water flow time setting range: 3- 120 s
 Water flow time factory setting: 30 s

Required accessories:

CONR2112 raw-assembling set, shower head, hand shower set

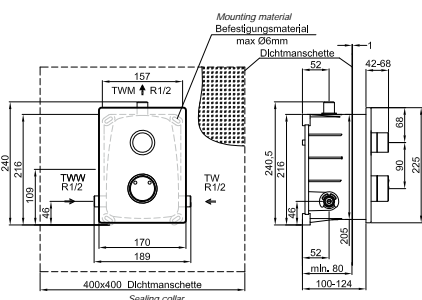
Optional accessories:

Solenoid valve 6 V/DC ROBUST, bistable, incl. electronics for electronic thermal disinfection (mains connection required)

Version		Hygienic flush	Hygienic flush ext. (key switch)	Thermal disinfection (manual)	Thermal disinfection CNX	Cleaning stop	Adjustable water flow time	Article number
Water-hydraulics				•			•	CONM2156214000
							•	CONM2156214020
Shower heads	See chapter shower heads	CONHEAD jet shower head GOLF						CONO010000
		CONHEAD rain shower head RAIN2						CONO020000
		CONHEAD rain shower head SHORTY						CONO030000
		CONHEAD jet shower head VESUV						CONO060000
		CONHEAD jet shower head CITY						CONO050000
		CONHEAD hand shower set						CONO040000

CONGENIAL FIT concealed shower, stainless steel, square, on/off-handle, DN15

Showers
mechanical



CONGENIAL FIT concealed shower, stainless steel, square, on/off-handle, DN15 - final assembly kit

Final assembly kit for mechanical shower, device designed as concealed shower in nominal diameter DN15. With thermostatic mixing device for connection to cold and hot water. Application in new construction building and renovation in commercial, semi-public and public sanitary facilities.

- Concealed shower final assembly kit with square cover plate
- Concealed mounting, robust double lock, multi sealing system with drainage system for condensation
- Cover plate: stainless steel 1.4301, all visible surfaces made of brushed stainless steel, dimensions (HxVxD): 225x170x10 mm
- Support frame for cover plate
- Implementing functional elements and thermostat incl. EPDM sealing rings
- Multifunction tool for maintenance work
- Adaptive multifunctional water path CONGENIAL with manual TD plug installed for thermal disinfection
- Upgrade and retrofitting functions
- Water path: dezincification resistant forged brass, as a high-quality thermostatic mixer, thermostat handle: chromed brass
- Visible components made of solid chromed brass, with safety stop
- Choice of temperature setting range
- Integrated check valve in the bypass and check valve and strainer cartridges for water inlets
- Some of the functional parts can be dismantled during maintenance work without removing the valve body
- Mechanical operation of the shower function via on/off-handle

Thermal disinfection (manual):

The thermal disinfection of a shower based on the adaptive multifunctional water path CONGENIAL with bypass solenoid valve can be executed with a manual TD plug installed in the bypass directly per shower.

Technical data:

Operating pressure: 1,5-5,0 bar
 Water temp. standard operation (max.): 70 °C
 Water temp. thermal disinfection: Short-term for therm. disinfection 80 °C
 Flow rate DN15: 0,15 l/s (flow rate regulator)

Required accessories:

CONR2112 raw-assembling set, shower head, hand shower set

Optional accessories:

Solenoid valve 6 V/DC ROBUST, bistable, incl. electronics for electronic thermal disinfection (mains connection required)

Version		Hygienic flush	Hygienic flush ext. (key switch)	Thermal disinfection (manual)	Thermal disinfection CNX	Cleaning stop	Adjustable water flow time	Article number
On/off-handle				•				CONM2116216000
								CONM2116216020
Shower heads	See chapter shower heads	CONHEAD jet shower head GOLF						CONO010000
		CONHEAD rain shower head RAIN2						CONO020000
		CONHEAD rain shower head SHORTY						CONO030000
		CONHEAD jet shower head VESUV						CONO060000
		CONHEAD jet shower head CITY						CONO050000
		CONHEAD hand shower set						CONO040000

CONGENIAL FIT concealed shower, chromed, square, on/off-handle, DN15

Showers
mechanical



CONGENIAL FIT concealed shower, chromed, square, on/off-handle, DN15 - final assembly kit

Final assembly kit for mechanical shower, device designed as concealed shower in nominal diameter DN15. With thermostatic mixing device for connection to cold and hot water. Application in new construction building and renovation in commercial, semi-public and public sanitary facilities.

- Concealed shower final assembly kit with square cover plate
- Concealed mounting, robust double lock, multi sealing system with drainage system for condensation
- Cover plate: stainless steel 1.4301, all visible surfaces made of stainless steel, chromed, dimensions (HxVxD): 225x170x10 mm
- Support frame for cover plate
- Implementing functional elements and thermostat incl. EPDM sealing rings
- Multifunction tool for maintenance work
- Adaptive multifunctional water path CONGENIAL with manual TD plug installed for thermal disinfection
- Upgrade and retrofitting functions
- Water path: dezincing resistant forged brass, as a high-quality thermostatic mixer, thermostat handle: chromed brass
- Visible components made of solid chromed brass, with safety stop
- Choice of temperature setting range
- Integrated check valve in the bypass and check valve and strainer cartridges for water inlets
- Some of the functional parts can be dismantled during maintenance work without removing the valve body
- Mechanical operation of the shower function via on/off-handle

Thermal disinfection (manual):

The thermal disinfection of a shower based on the adaptive multifunctional water path CONGENIAL with bypass solenoid valve can be executed with a manual TD plug installed in the bypass directly per shower.

Technical data:

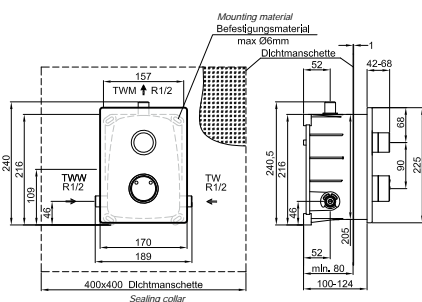
Operating pressure: 1,5-5,0 bar
 Water temp. standard operation (max.): 70 °C
 Water temp. thermal disinfection: Short-term for therm. disinfection 80 °C
 Flow rate DN15: 0,15 l/s (flow rate regulator)

Required accessories:

CONR2112 raw-assembling set, shower head, hand shower set

Optional accessories:

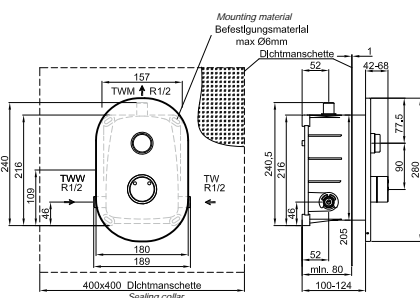
Solenoid valve 6 V/DC ROBUST, bistable, incl. electronics for electronic thermal disinfection (mains connection required)



Version	Hygienic flush	Hygienic flush ext. (key switch)	Thermal disinfection (manual)	Thermal disinfection CNX	Cleaning stop	Adjustable water flow time	Article number	
On/off-handle			•				CONM2156216000	
							CONM2156216020	
Shower heads	See chapter shower heads						CONHEAD jet shower head GOLF	CONO010000
							CONHEAD rain shower head RAIN2	CONO020000
							CONHEAD rain shower head SHORTY	CONO030000
							CONHEAD jet shower head VESUV	CONO060000
							CONHEAD jet shower head CITY	CONO050000
							CONHEAD hand shower set	CONO040000

CONGENIAL FIT concealed shower, stainless steel, oval, water hydraulics, DN15

Showers
mechanical



CONGENIAL FIT concealed shower, stainless steel, oval, water hydraulics, DN15 - final assembly kit

Final assembly kit for mechanical shower, device designed as concealed shower in nominal diameter DN15. With thermostatic mixing device for connection to cold and hot water. Application in new construction building and renovation in commercial, semi-public and public sanitary facilities.

- Concealed shower final assembly kit with oval cover plate
- Concealed mounting, robust double lock, multi sealing system with drainage system for condensation
- Cover plate: stainless steel 1.4301, all visible surfaces made of brushed stainless steel, dimensions (HxVxD): 280x180x10 mm
- Support frame for cover plate
- Implementing functional elements and thermostat incl. EPDM sealing rings
- Multifunction tool for maintenance work
- Adaptive multifunctional water path CONGENIAL with manual TD plug installed for thermal disinfection
- Upgrade and retrofitting functions
- Water path: dezincification resistant forged brass, as a high-quality thermostatic mixer, thermostat handle: chromed brass
- Visible components made of solid chromed brass, with safety stop
- Choice of temperature setting range
- Integrated check valve in the bypass and check valve and strainer cartridges for water inlets
- Some of the functional parts can be dismantled during maintenance work without removing the valve body
- Mechanical operation of the shower function via water-hydraulic self-closing button
- The water flow time of the shower function can be adjusted in mechanical hydraulic showers by means of an adjustment screw in the hydraulics of each shower

Thermal disinfection (manual):

The thermal disinfection of a shower based on the adaptive multifunctional water path CONGENIAL with bypass solenoid valve can be executed with a manual TD plug installed in the bypass directly per shower.

Technical data:

Operating pressure: 1,5-5,0 bar
 Water temp. standard operation (max.): 70 °C
 Water temp. thermal disinfection: Short-term for therm. disinfection 80 °C
 Flow rate DN15: 0,15 l/s (flow rate regulator)
 Water flow time setting range: 3-120 s
 Water flow time factory setting: 30 s

Required accessories:

CONR2112 raw-assembling set, shower head, hand shower set

Optional accessories:

Solenoid valve 6 V/DC ROBUST, bistable, incl. electronics for electronic thermal disinfection (mains connection required)

Version		Hygienic flush	Hygienic flush ext. (key switch)	Thermal disinf. (manual)	Thermal disinfection CNX	Cleaning stop	Adjustable water flow time	Article number
Water hydraulics				•			•	CONM2117214000
							•	CONM2117214020
Shower heads	See chapter shower heads	CONHEAD jet shower head GOLF						CONO010000
		CONHEAD rain shower head RAIN2						CONO020000
		CONHEAD rain shower head SHORTY						CONO030000
		CONHEAD jet shower head VESUV						CONO060000
		CONHEAD jet shower head CITY						CONO050000
		CONHEAD hand shower set						CONO040000

CONGENIAL FIT concealed shower, chromed, oval, water hydraulics, DN15

Showers
mechanical



CONGENIAL FIT concealed shower, chromed, oval, water hydraulics, DN15 - final assembly kit

Final assembly kit for mechanical shower, device designed as concealed shower in nominal diameter DN15. With thermostatic mixing device for connection to cold and hot water. Application in new construction building and renovation in commercial, semi-public and public sanitary facilities.

- Concealed shower final assembly kit with oval cover plate
- Concealed mounting, robust double lock, multi sealing system with drainage system for condensation
- Cover plate: stainless steel 1.4301, all visible surfaces made of stainless steel, chromed dimensions (HxVxD): 280x180x10 mm
- Support frame for cover plate
- Implementing functional elements and thermostat incl. EPDM sealing rings
- Multifunction tool for maintenance work
- Adaptive multifunctional water path CONGENIAL with manual TD plug installed for thermal disinfection
- Upgrade and retrofitting functions
- Water path: dezincification resistant forged brass, as a high-quality thermostatic mixer, thermostat handle: chromed brass
- Visible components made of solid, chromed brass, with safety stop
- Choice of temperature setting range
- Integrated check valve in the bypass and check valve and strainer cartridges for water inlets - some of the functional parts can be dismantled during maintenance work without removing the valve body
- Mechanical operation of the shower function via water-hydraulic self-closing button
- The water flow time of the shower function can be adjusted in mechanical hydraulic showers by means of an adjustment screw in the hydraulics of each shower

Thermal disinfection (manual):

The thermal disinfection of a shower based on the adaptive multifunctional water path CONGENIAL with bypass solenoid valve can be executed with a manual TD plug installed in the bypass directly per shower.

Technical data:

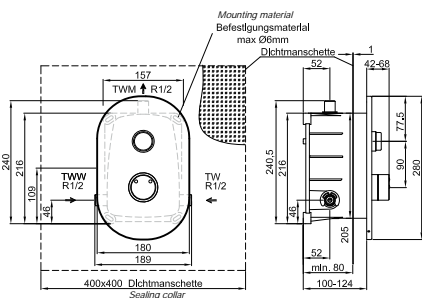
Operating pressure: 1,5-5,0 bar
 Water temp. standard operation (max.): 70 °C
 Water temp. thermal disinfection: Short-term for therm. disinfection 80 °C
 Flow rate DN15: 0,15 l/s (flow rate regulator)
 Water flow time setting range: 3-120 s
 Water flow time factory setting: 30 s

Required accessories:

CONR2112 raw-assembling set, shower head, hand shower set

Optional accessories:

Solenoid valve 6 V/DC ROBUST, bistable, incl. electronics for electronic thermal disinfection (mains connection required)



Version	Hygienic flush	Hygienic flush ext. (key switch)	Thermal disinfection (manual)	Thermal disinfection CNX	Cleaning stop	Adjustable water flow time	Article number	
Water-hydraulics			•			•	CONM2157214000	
						•	CONM2157214020	
Shower heads	See chapter shower heads							CONO010000
								CONO020000
								CONO030000
								CONO060000
								CONO050000
								CONO040000

CONGENIAL FIT concealed shower, stainless steel, oval, on/off-handle, DN15

Showers
mechanical



CONGENIAL FIT concealed shower, stainless steel, oval, on/off-handle, DN15 - final assembly kit

Final assembly kit for mechanical shower, device designed as concealed shower in nominal diameter DN15. With thermostatic mixing device for connection to cold and hot water. Application in new construction building and renovation in commercial, semi-public and public sanitary facilities.

- Concealed shower final assembly kit with oval cover plate
- Concealed mounting, robust double lock, multi sealing system with drainage system for condensation
- Cover plate: stainless steel 1.4301, all visible surfaces made of brushed stainless steel dimensions (HxVxD): 280x180x10 mm
- Support frame for cover plate
- Implementing functional elements and thermostat incl. EPDM sealing rings
- Multifunction tool for maintenance work
- Adaptive multifunctional water path CONGENIAL with manual TD plug installed for thermal disinfection
- Upgrade and retrofitting functions
- Water path: dezincification resistant forged brass, as a high-quality thermostatic mixer, thermostat handle: chromed brass
- Visible components made of solid, chromed brass, with safety stop
- Choice of temperature setting range
- Integrated check valve in the bypass and check valve and strainer cartridges for water inlets
- Some of the functional parts can be dismantled during maintenance work without removing the valve body
- Mechanical operation of the shower function via on/off-handle

Thermal disinfection (manual):

The thermal disinfection of a shower based on the adaptive multifunctional water path CONGENIAL with bypass solenoid valve can be executed with a manual TD plug installed in the bypass directly per shower.

Technical data:

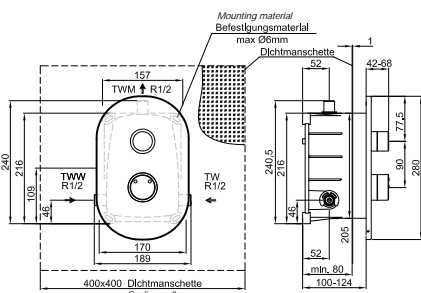
Operating pressure: 1,5-5,0 bar
 Water temp. standard operation (max.): 70 °C
 Water temp. thermal disinfection: Short-term for therm. disinfection 80 °C
 Flow rate DN15: 0,15 l/s

Required accessories:

CONR2112 raw-assembling set, shower head, hand shower set

Optional accessories:

Solenoid valve 6 V/DC ROBUST, bistable, incl. electronics for electronic thermal disinfection (mains connection required)



Version		Hygienic flush	Hygienic flush ext. (key switch)	Thermal disinfection (manual)	Thermal disinfection CNX	Cleaning stop	Adjustable water flow time	Article number
On/off-handle				•				CONM2117216000
								CONM2117216020
Shower heads	See chapter shower heads	CONHEAD jet shower head GOLF						CONO010000
		CONHEAD rain shower head RAIN2						CONO020000
		CONHEAD rain shower head SHORTY						CONO030000
		CONHEAD jet shower head VESUV						CONO060000
		CONHEAD jet shower head CITY						CONO050000
		CONHEAD hand shower set						CONO040000

CONGENIAL FIT concealed shower, chromed, oval, on/off-handle, DN15

Showers
mechanical



CONGENIAL FIT concealed shower, chromed, oval, on/off-handle, DN15 - final assembly kit

Final assembly kit for mechanical shower, device designed as concealed shower in nominal diameter DN15. With thermostatic mixing device for connection to cold and hot water. Application in new construction building and renovation in commercial, semi-public and public sanitary facilities.

- Concealed shower final assembly kit with oval cover plate
- Concealed mounting, robust double lock, multi sealing system with drainage system for condensation
- Cover plate: stainless steel 1.4301, all visible surfaces made of stainless steel, chromed, dimensions (HxWxD): 280x180x10 mm
- Support frame for cover plate
- Implementing functional elements and thermostat incl. EPDM sealing rings
- Multifunction tool for maintenance work
- Adaptive multifunctional water path CONGENIAL with manual TD plug installed for thermal disinfection
- Upgrade and retrofitting functions
- Water path: dezincification resistant forged brass, as a high-quality thermostatic mixer, thermostat handle: chromed brass
- Visible components made of solid, chromed brass, with safety stop
- Choice of temperature setting range
- Integrated check valve in the bypass and check valve and strainer cartridges for water inlets
- Some of the functional parts can be dismantled during maintenance work without removing the valve body
- Mechanical operation of the shower function via on/off-handle

Thermal disinfection (manual):

The thermal disinfection of a shower based on the adaptive multifunctional water path CONGENIAL with bypass solenoid valve can be executed with a manual TD plug installed in the bypass directly per shower.

Technical data:

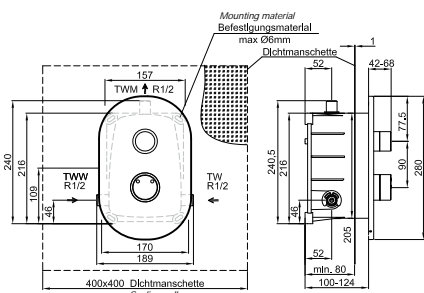
Operating pressure: 1,5-5,0 bar
 Water temp. standard operation (max.): 70 °C
 Water temp. thermal disinfection: Short-term for therm. disinfection 80 °C
 Flow rate DN15: 0,15 l/s

Required accessories:

CONR2112 raw-assembling set, shower head, hand shower set

Optional accessories:

Solenoid valve 6 V/DC ROBUST, bistable, incl. electronics for electronic thermal disinfection (mains connection required)



Version		Hygienic flush	Hygienic flush ext. (key switch)	Thermal disinfection (manual)	Thermal disinfection CNX	Cleaning stop	Adjustable water flow time	Article number
On/off-handle				•				CONM2157216000
								CONM2157216020
Shower heads	See chapter shower heads	CONHEAD jet shower head GOLF						CONO010000
		CONHEAD rain shower head RAIN2						CONO020000
		CONHEAD rain shower head SHORTY						CONO030000
		CONHEAD jet shower head VESUV						CONO060000
		CONHEAD jet shower head CITY						CONO050000
		CONHEAD hand shower set						CONO040000

variable, suitable, robust, spray head,
eight different choices,
stainless steel or chromed
CONTI+ shower heads

Vandal-resistant, design, stainless steel,
chromed, complete series
CONTI+ sanitary equipment

Clear lines, chrome, hygienic,
IR sensor, with and without
temperature mixing
CONTI+ maxx lavatory faucet

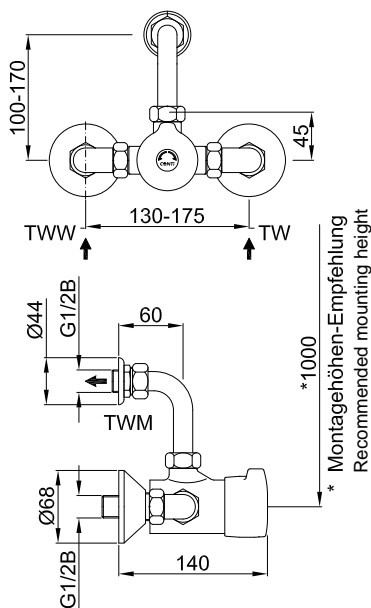
variable, adaptable, robust, technological,
water hydraulics or on-/off-handle, round,
square, oval, stainless steel or chromed
CONTI+ mechanical concealed showers

THE SOLUTION

To be vandal-resistant in public shower room and to offer the best possible comfort, with CONTI+ electronic and mechanical showers you will receive your solution. Design and variation possibilities, technology and hygiene have an important role and are included in all shower room solutions. Matching shower heads in eight variations leave room for your individual sanitary room design.

CONPRO exposed shower, chromed, water hydraulics, DN15

Showers
mechanical



CONPRO exposed shower, chromed, water hydraulics, DN15

For wall mounting, for connection to cold or hot water

Consisting of:

- Single-lever self-closing mixer, solid metal version, brass body and operating element
- Hydraulic control, cartridge technology, self-cleaning system, integrated check valve (DVGW certified), hot water supply limiter, selectable water flow time, continuously adjustable flow rate
- All water-bearing components are made of hygienic material in accordance with the requirements of drinking water ordinance [Germany]
- Chrome plated filter seals
- Wall mounting kit with shut-off S-connectors, angled fittings, chromed
- With outlet facing upwards
- With temperature mixing

Base functions:

Water flow time: 30 s factory settings acc. to DIN EN 816 (20, 25 s)

Technical data:

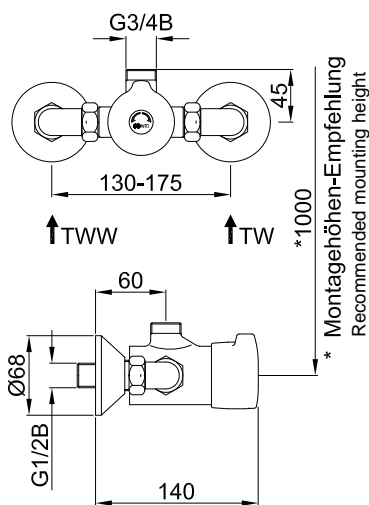
Operating pressure: 1,5-5,0 bar
 Water temperature (max.): 60 °C (short-term up to 75 °C for thermal disinfection)
 Flow rate: 0,15-0,35 l/s adjustable (3 bar flow pressure)
 Calculated flow rate: 0,15 l/s
 Connection bore hole gauge: access 130-175 mm, G 1/2 B
 Outlet on top: G 3/4 B

Required accessories:

Shower head DN15

Description	Outlet	Article number
CONRPO exposed shower	With bent outlet	CONM4159414000

CONPRO exposed shower, chromed, water hydraulics, DN15



CONPRO exposed shower, chromed, water hydraulics, DN15

For wall mounting, for connection to cold or hot water

Consisting of:

- Single-lever self-closing mixer, solid metal version, brass body and operating element
- Hydraulic control, cartridge technology, self-cleaning system, integrated check valve (DVGW certified), hot water supply limiter, selectable water flow time, continuously adjustable flow rate
- All water-bearing components are made of hygienic material in accordance with the requirements of drinking water ordinance [Germany]
- Chrome plated filter seals
- Wall mounting kit with shut-off S-connectors, angled fittings, chromed
- With outlet facing upwards
- With temperature mixing

Base functions:

Water flow time: 30 s factory settings acc. to DIN EN 816 (20, 25 s)

Technical data:

Operating pressure: 1,5-5,0 bar
 Water temperature (max.): 60 °C (short-term up to 75 °C for thermal disinfection)
 Flow rate: 0,15-0,35 l/s adjustable (3 bar flow pressure)
 Calculated flow rate: 0,15 l/s
 Connection bore hole gauge: access 130-175 mm, G1/2B
 Outlet on top: G 3/4 B

Required accessories:

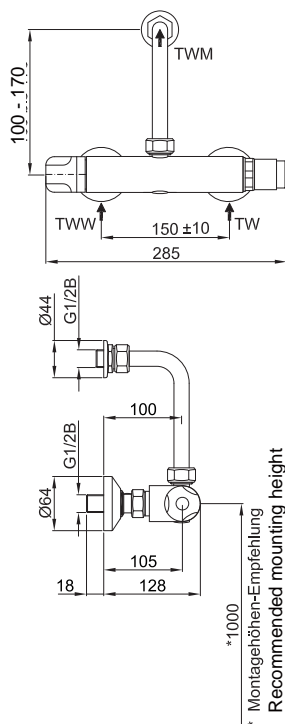
CONO010060 Shower head kit CONHEAD, GOLF, wall distance 60 mm, DN15
 CONO020060 Shower head kit CONHEAD, RAIN 2, wall distance 60 mm, DN15
 Shower head DN15

Description	Outlet	Article number
CONRPO exposed shower	Without bent outlet	CONM4150414000

Showers
mechanical

CONPRO exposed shower, chromed, water hydraulics, DN15

Showers
mechanical



CONPRO exposed shower, chromed, water hydraulics, DN15

For wall mounting, for connection to cold or premixed water, scalding protection, intrinsically safe

Consisting of

- Option for manual thermal disinfection
- With integral self-closing valve, solid metal version, brass body and operating element
- Hydraulic control, cartridge technology, temperature setting range 10-50 °C, temperature selector with safety lock and fixed end stop, with integral check valves and stainless steel sieves, adjustable flow rate and set water flow time
- All water-bearing components are made of hygienic material in accordance with the requirements of drinking water ordinance [Germany]
- Wall mounting kit with shut-off S connectors, angled fittings, and outlet bend for trimming to size, chromed
- Thermostat with scalding protection, intrinsically safe
- With outlet facing upwards

Base functions:

Water flow time: 30 s factory settings acc. to DIN EN 816

Technical data:

Operating pressure: 1,5-5,0 bar
 Water temperature (max.): 60 °C (short-term up to 75 °C for thermal disinfection)
 Flow rate: 0,37 l/s adjustable (3 bar flow pressure)
 Calculated flow rate: 0,15 l/s
 Connection bore hole gauge: access 140-160 mm
 Connection bore hole gauge: outlet 100-170 mm
 Connection: G 1/2 B

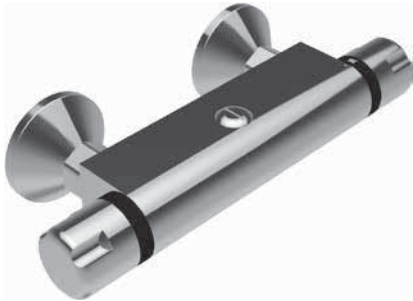
Required accessories:

Shower head

Description	Nominal diameter	Article number
CONPRO exposed shower	DN15	CONM4159214000

CONPRO exposed shower, chromed, on/off-handle, DN15

Showers
mechanical



CONPRO exposed shower, chromed, on/off-handle, DN15

For wall mounting, for connection to hot and cold water

Consisting of:

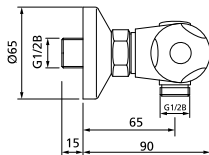
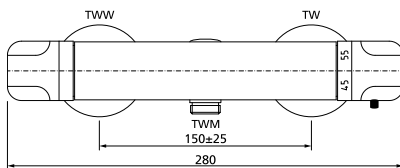
- Thermostatic mixer, solid metal version, red brass body, temperature setting range 10-50 °C, integral check valve and stainless steel sieves
- All water-bearing components are made of hygienic material in accordance with the requirements of drinking water ordinance [Germany]
- Safety lock with fixed end stop (with override for manual thermal disinfection) and scalding protection in case of cold water failure, manual thermal disinfection possible, integral stop valve with ceramic head, exchangeable mixed water outlet at the bottom/top, chromed
- One set S connections with rosettes, chromed
- Without bent outlet

Technical data:

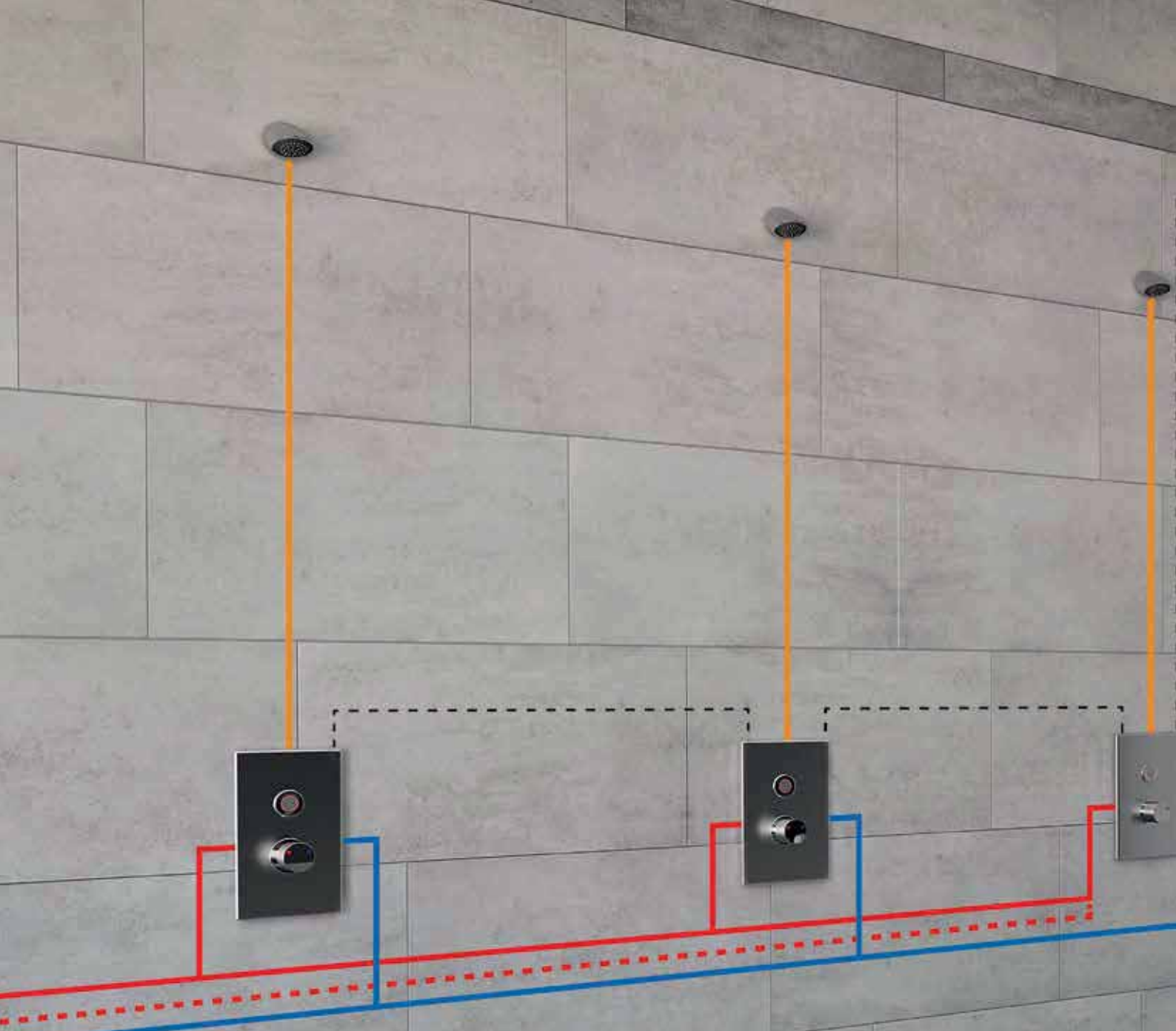
Flow rate:	0,25 l/s (3 bar flow pressure)
Operating pressure (max.):	6,0 bar
Water temperature (max.):	70 °C (Shortly up to 80 °C for thermal disinfection)
Connection:	G 1/2 B

Required accessories:

Shower head, hand shower set



Description	Nominal diameter	Article number
CONPRO exposed shower	DN15	CONM4150216000



Accessories for shower faucets

Necessary and optional components for installation and operation

From power supply to retrofit cleaning stop, from temperature sensor to upgrading to CNX Water Management System. Everything which is necessary for the installation and maintenance of the CONTI+ shower faucet can be found.




Accessories for shower faucets


Raw-assembling sets	150
Special flush plug	153
Power supplies	155
Splitter	157
Service Monitor	159
Wireless combox	159
CONCASH coin validator	160
Key switch set	166
TD Plug	166
CNX Converter	167
BLE Converter	167
Solenoid valve II	167
Temperature sensors	168
Cables	168
Retrofit set cleaning stop	169
Soap dishes	169
Crossbars	170
Cover extensions	171
Accessories	172
Cleaning products	173
Tool kit	173

CONBOX raw-assembling set for concealed shower, DN15


Showers
Accessories

	<p>CONBOX raw-assembling set for concealed shower, DN15</p> <p>Raw-assembling set for mechanical and electronic shower equipment based on the adaptive multifunctional water path CONGENIAL with thermostat, designed as flush-mounted shower in nominal width DN15. Application area in new construction and renovation in public, semi-public and commercial sanitary facilities.</p> <p>Consisting of:</p> <ul style="list-style-type: none"> • Concealed shower box CONBOX • Recessed enclosure: ABS, dimensions (HxWxD min.) 272x232x96 mm, self-supporting • Fastener brackets for mounting material with max. diameter 8 mm • Wall outlet diameter 230 mm can be cut to length of tile front edge, condensate drain slope • Sealed and sound-insulated brass entrances and exits, inlet with shut-off valves R 1/2 • Detachable connecting coupling for exchange the flushing piece on the water path • Mounting depth with final assembly set: 96-110 mm • Flushing piece: ABS, waterless and hygienically tested for leakage • Protective plug: EPS, dimension (ØxD) 226x40 mm • Gasket ring: PE, dimensions (WxH) 450x450 mm, with expansion zone • Connection to cold and hot water 		
<p>Description</p>	<p>Nominal width</p>	<p>Article number</p>	
<p>CONBOX raw-assembling set for concealed shower, thermostat</p>	<p>DN15</p>	<p>CONR0112</p>	

CONBOX Flange raw-assembling sets for concealed shower, DN15

	<p>CONBOX FLANGE raw-assembling set for concealed shower, DN15 with bonding flange</p> <p>Raw-assembling set for mechanical and electronic shower equipment based on the adaptive multifunctional water path CONGENIAL with thermostat, designed as flush-mounted shower in nominal width DN15. Application area in new construction and renovation in public, semi-public and commercial sanitary facilities.</p> <p>Consisting of:</p> <ul style="list-style-type: none"> • Concealed shower box with bonding flange CONBOX FLANGE • Recessed enclosure: ABS, dimensions (HxWxD min.) 272x232x96 mm, self-supporting • Fastener brackets for mounting material with max. diameter 8 mm • Wall outlet diameter 230 mm can be cut to length of tile front edge, condensate drain slope • Sealed and sound-insulated brass entrances and exits, inlet with shut-off valves R 1/2 • Detachable connecting coupling for exchange the flushing piece on the water path • Mounting depth with final assembly set: 96-110 mm • Flushing piece: ABS, waterless and hygienically tested for leakage • Protective plug: EPS, dimension (ØxD) 226x40 mm • Bonding flange made of ABS, (ØxD) 430x12 mm • Connection to cold and hot water 		
<p>Description</p>	<p>Connection</p>	<p>Nominal width</p>	<p>Article number</p>
<p>CONBOX FLANGE raw-assembling set for concealed shower with bonding flange, thermostat</p>	<p>R 1/2</p>	<p>DN15</p>	<p>CONR1112</p>

CONBOX raw-assembling set for concealed shower, DN15


	<p>CONBOX raw-assembling set for concealed shower, DN15</p> <p>Raw-assembling set for mechanical and electronic shower equipment, designed as flush-mounted shower without thermostat in nominal width DN15. Application area in new construction and renovation in public, semi-public and commercial sanitary facilities.</p> <p>Consisting of:</p> <ul style="list-style-type: none"> • Concealed shower box CONBOX • Recessed enclosure: ABS, dimensions (HxWxD min.) 272x232x96 mm, self-supporting • Fastener brackets for mounting material with max. diameter 8 mm • Wall outlet diameter 230 mm can be cut to length of tile front edge, condensate drain slope • Sealed and sound-insulated brass entrances and exits • Inlet with shut-off valves R 1/2 • Mounting depth with final assembly set: 96-110 mm • Flushing piece: ABS, waterless and hygienically tested for leakage • Protective plug: EPS, dimension (ØxD) 226x40 mm • Gasket ring: PE, dimensions (WxH) 450x450 mm, with expansion zone • Connection to cold and hot water 		
Description	Connection	Nominal width	Article number
CONBOX raw-assembling set for concealed shower, without thermostat	R 1/2	DN15	CONR0111

CONBOX FIT raw-assembling set for concealed shower, DN15

	<p>CONBOX FIT raw-assembling set for concealed shower, thermostat, DN15</p> <p>Raw-assembling set for mechanical and electronic shower equipment based on the adaptive multifunctional water path CONGENIAL with thermostat, designed as flush-mounted shower in nominal width DN15. Application area in new construction and renovation in public, semi-public and commercial sanitary facilities.</p> <p>Consisting of:</p> <ul style="list-style-type: none"> • Concealed shower box CONBOX FIT • Recessed enclosure: ABS, dimensions (HxWxD min.) 216x157x127 mm, self-supporting • Fastener brackets for mounting material with max. diameter 6 mm, condensate drain slope • Sealed and sound-insulated brass entrances and exits • Inlet with shut-off valves R 1/2 • Detachable connecting coupling for exchange the flushing piece on the water path • Mounting depth with final assembly set: 85-112 mm • Flushing piece: ABS, waterless and hygienic tested for leakage • Protective plug: EPS • Gasket ring: PE, dimensions (WxH) 400x400 mm, with expansion zone • Connection to cold and hot water 		
Description	Nominal width		Article number
CONBOX FIT raw-assembling set for concealed shower, thermostat	DN15		CONR2112

CONBOX SLIM raw-assembling set for concealed shower/ceiling shower, DN15


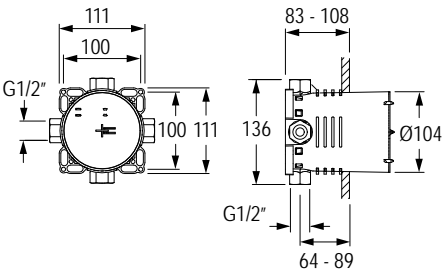
Showers
Accessories

	<p>CONBOX SLIM raw-assembling set for concealed shower/ceiling shower, DN15</p> <p>Raw-assembling set for electronic shower equipment, without thermostat as concealed shower in nominal width DN15. Application area in new construction and renovation in public, semi-public and commercial sanitary facilities.</p> <p>Consisting of:</p> <ul style="list-style-type: none"> • Concealed shower box CONBOX SLIM • Recessed enclosure: PP, dimensions (ØxD) 85x58 mm • Wall outlet diameter 80 mm can be cut to length of tile front edge • Bonding flange: PP dimensions (ØxD) 150x12,5 mm • Protective plug: EPS, dimension (ØxD) 78x20 mm, water path: brass • Ball valve for shut-off, flushing piece, connection R 1/2 • Extension cable piezo switch: 3 m, 2-pin connector on both sides, protection IP68 • Connection to cold or premixed water 		
	Description	Connection	Nominal width
CONBOX SLIM raw-assembling set for concealed shower/ceiling shower, DN15	R 1/2	DN15	CONR3111


CONBOX MINI raw-assembling set for concealed shower, DN15

	<p>CONBOX MINI raw-assembling set for concealed shower</p> <p>Raw-assembling set for mechanical shower equipment, designed as a concealed shower in nominal width DN15. Application area in new construction and renovation in public, semi-public and commercial sanitary facilities.</p> <p>Consisting of:</p> <ul style="list-style-type: none"> • Concealed shower box CONBOX MINI • Recessed enclosure: brass for water hydraulics, with protective sleeve and flushing piece: ABS • Gasket ring: PE, dimensions (WxH) 200x200 mm, with expansion zone • Connection to cold or premixed water 		
	Description	Connection	Nominal width
CONBOX MINI raw-assembling set for concealed shower	R 3/4	DN15	CONR4111

VAROX raw-assembling set for concealed shower, DN15

		<p>HANSAVAROX standard unit U3V, compact solution, DN15 (raw-assembling set)</p> <p>VAROX standard unit, compact solution, DN15 concealed body</p> <ul style="list-style-type: none"> • Mounting depth: 83-108 mm • Connection unit: dezincification resistant Brass (MS 63) • Mounting box and plastic protective cap • Gasket ring • Suitable for drywalling • Multifix fixing system, all connections G 1/2", (1 plug included) • B-Lock special pressure test plug (prefitted) • Intrinsically safe against backflow for residential use <p>Engineering standards: CE</p>
Description	Stop valve	Article number
HANSAVAROX standard unit U3V	Without stop valve	220.027.00

Special flush plug

	<p>Special flush plug according to DIN1988</p> <p>VAROX standard unit, compact solution, DN15, concealed body for HANSAVAROX standard unit U3V.</p> <p>The special flush plug (accessories) is used for flushing with:</p> <ul style="list-style-type: none"> • lino concealed lavatory faucets WV10/WV20 (mandatory for flushing) • lino concealed shower faucets DV30/DV35 (flushing also possible with press plug) <p>Engineering standards: CE</p>	
Description	Nominal width	Article number
Special flush plug	DN15	550.024.00

Power supply

Showers
Accessories



Switching power supply unit 12 V/DC / 4,5 A, for DIN rail mounting

Power supply for a maximum of 20 pieces electronic concealed showers or shower panels with and without thermostat, integration to the CNX Water Management System of a maximum of 10 pieces of mechanical concealed shower faucets or shower panels with thermal disinfection. No pre-arrangement option for key switch usage.

The electrical wiring may only be carried out by an electrician.

Operating voltage:	230 V/AC
Output voltage:	12 V ± 1% DC
Output current:	0-4,5 A
Output power:	54 W
Protection class:	II
Dimensions (HxWxD):	72x80x56 mm

Description	Version	Article number
Switched power supply unit 12 V/DC /4,5 A for DIN rail mounting	Rail mounting	CONO511000



Switched power supply unit, 24 V/DC / 1,5 A, for DIN rail mounting

Power supply for a maximum of 6 pieces electronic concealed shower faucets or shower elements, short-circuit-proof. No pre-arrangement option for key switch usage.

The electrical wiring may only be carried out by an electrician.

Operating voltage:	230 V/AC
Output voltage:	24 V ± 1% DC
Output current:	0-1,5 A
Output power:	36 W
Protection class:	II
Dimensions (HxWxD):	78x93x56 mm

Description	Version	Article number
Switched power supply unit, 24 V/DC / 1,5 A	Rail mounting	CONO581000

Power supply



Power supply 12 V/DC, in the installation box

Power supply for a maximum of 20 electronic concealed showers or shower panels with and without thermostat or a maximum of 10 of mechanical concealed showers or shower panels with electronic thermal disinfection. Wall switchboards for wall construction, fully wired, connection via fitted 2 m connection line with safety plug. Pre-arrangement for key switch usage of thermal disinfection or external hygiene flush included.

Notice:

Power supply only in connection with electronics with 3 plugs and additional bypass electronics.



The electrical wiring may only be carried out by an electrician.



Operating voltage:	230 V/AC
Output voltage:	12 V \pm 1% DC
Output current:	0-4,5 A
Output power:	54 W
Protection class:	II
IP protection:	IP65
Dimensions (HxWxD):	200x125x122 mm

Description	Version	Article number
Power supply 12 V/DC	Installation box, surface-mounted	CONO512000



Central power supply units for multiple faucet installations

Showers
Accessories



 	<p>Central power supply, flush-mounted, for up to 30 units</p> <p>Suitable for</p> <ul style="list-style-type: none"> • All lavatory faucets with VARIOconnect in multiple installations for up to 30 units (except lumino L10i and L10c) • Urinal flush valves with VARIOconnect (U10, U18, U28) up to 30 units • Multiple installation bypass for ShowerMaster and lino flush-mounted showers up to 30 units • Exclusively for use with flush-mounted splitter 550.042.00 or 550.43.00 or 550.044.00 <p>Consisting of:</p> <ul style="list-style-type: none"> • Concealed mains power supply 110-240 V / 12 V • Concealed installation box with white cover • Installation cable 3000 mm with plug connector for faucets/flush valves 		
Description	Device quantity	Voltages	Article number
Concealed central mains power supply, with flush-mounted outlet	up to 30 units	110-240 V / 12 V	550.041.00

 	<p>Concealed central mains power supply, for up to 12 units</p> <p>Suitable for:</p> <ul style="list-style-type: none"> • All lavatory faucets with VARIOconnect in multiple installations up to 12 units (except lumino L10i and L10c) • Urinal flush valves with VARIOconnect (U10, U18, U28) up to 12 units • Multiple installation bypass for ShowerMaster and lino flush-mounted shower faucets up to 12 units • Exclusively for use with flush-mounted splitters 550.042.00 or 550.43.00 or 550.044.00 <p>Consisting of:</p> <ul style="list-style-type: none"> • Concealed mains power supply 110-240 V / 12 V • Concealed installation box with white cover • Installation cable 3000 mm with plug connector for faucets/flush valves 		
Description	Device quantity	Voltages	Article number
Concealed central mains power supply, with flush-mounted outlet	up to 12 units	110-240 V / 12 V	550.045.00

Splitter for multiple installations with VARIOconnect



 	<p>Flush-mounted splitter set for multiple installations with surface-mounted outlet</p> <ul style="list-style-type: none"> • Exclusively for use with the flush-mounted central power supply units for multiple faucet/flush valve installations (550.041.00 or 550.045.00) • Not compatible with lumino L10i and L10c • One splitter set required per connected unit and bypass solenoid valve <p>Consisting of:</p> <ul style="list-style-type: none"> • Flush-mounted box with white cover and cable grommet • Splitter for voltage range 12 VAC/VDC-28 VAC/VDC • 3 Terminals (1x input, 1x output looped, 1x6 V output) • Installation cable 850 mm routed through the cover, with plug-in connector for faucets 		
Description	Installation type	Article number	
Flush-mounted splitter set for multiple installations with surface-mounted outlet	For multiple installations	550.043.00	

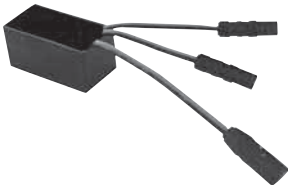

Flush-mounted power supply unit for single installation

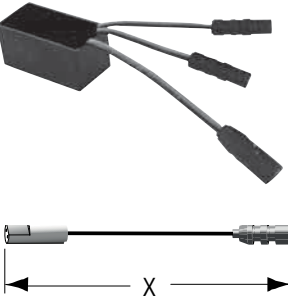

 	<p>Flush-mounted power supply unit for single installation</p> <p>Suitable for:</p> <ul style="list-style-type: none"> • Flush-mounted lino shower faucets DV35 / DV30 • Wall-mounted lavatory faucets WV10 / WV20 / GW20 with VARIOconnect • Single installation bypass for ShowerMaster and lino flush-mounted shower faucets DV35 / DV30B with VARIOconnect <p>Consisting of:</p> <ul style="list-style-type: none"> • Concealed mains power supply 110-240 V / 6V • Concealed installation box with white cover • Installation cable 3000 mm with plug connector for faucets 		
Description	Installation type	Voltages	Article number
Flush-mounted power supply unit with flush-mounted outlet	For single installation	110-240 V / 6V	550.026.00

Splitter for multiple installations of units with VARIOconnect




Showers
Accessories

 	<p>Flush-mounted splitter set with flush-mounted outlet for multiple installations</p> <ul style="list-style-type: none"> • Exclusively for use with the flush-mounted central power supply units for multiple faucet/flush valve installations (550.041.00 or 550.045.00) with VARIOconnect • Not compatible with lumino L10i and L10c • One splitter set is required for each connected unit and bypass solenoid valve <p>Consisting of:</p> <ul style="list-style-type: none"> • Flush-mounted box with white cover • Splitter for voltage range 12 VAC/DC-28 VAC/DC • 3 Terminals (1x input, 1x output looped, 1x 6 V output) • Installation cable 3000 mm with plug-in connector for faucets/flush valves 	
	Description	Installation type
Flush-mounted splitter set with flush-mounted outlet	For multiple installations	550.042.00


 	<p>Flush-mounted splitter for multiple installations</p> <p>Suitable for:</p> <ul style="list-style-type: none"> • All lavatory faucets (except lumino L10i and L10c), flush-mounted shower faucets and urinal flush valves U10, U18, U28 with VARIOconnect • Exclusively for use with flush-mounted central power supply units for multiple installations (550.041.00 or 550.045.00) • One splitter set required per connected faucet/urinal flush valve and bypass solenoid valve <p>Consisting of:</p> <ul style="list-style-type: none"> • Splitter for voltage range 12 VAC/DC-28 VAC/DC • 3 Terminals (60 mm) 	
	Description	Installation type
Flush-mounted splitter set	For multiple installations	550.044.00

 	<p>Flush-mounted splitter for multiple installations</p> <p>Suitable for:</p> <ul style="list-style-type: none"> • All lavatory faucets (except lumino L10i and L10c), flush-mounted shower faucets and urinal flush valves U10, U18, U28 with VARIOconnect • Exclusively for use with flush-mounted central power supply units for multiple installations (550.041.00 or 550.045.00) • A splitter set is required for each connected faucet and bypass solenoid valve <p>Consisting of:</p> <ul style="list-style-type: none"> • Splitter for voltage range 12 VAC/DC-28VAC/DC • 3 Terminals (60 mm) • Installation cable with length (x) and plug-in connector for faucets 			
	Description	Installation type	Length (x)	Article number
	Flush-mounted splitter set	For multiple installation	1200 mm	550.044.12
For multiple installation		3200 mm	550.044.32	

Service Monitor

		<h3>Service Monitor</h3> <p>For wireless communication with compatible faucets (compatible products are marked with ). One wireless combobox (550.021.00) per faucet necessary.</p> <ul style="list-style-type: none"> • Parametrisation of hygienic rinse (interval rinsing or to define) • Parametrisation thermal disinfection (temperature threshold, as required, turn-on delay,...) • Recording of thermal disinfection and hygienic rinse • Informations about use interval, -time, usage period, battery level.... <p>Basic set for operation on windows PC contains:</p> <ul style="list-style-type: none"> • Software for installation • Wireless USB stick <p>System prerequisite: windows XP, windows 7, USB port</p> <p><small>* Symbolic image. PC not included in delivery.</small></p>
Description	Purchase quantities (pcs.) wireless comboboxes	Article number
Service Monitor	-	553.013.00
	From 20 pieces order number 553.021.00	553.013.00
	From 50 pieces order number 553.021.00	553.013.00
	From 100 pieces order number 553.021.00	553.013.00

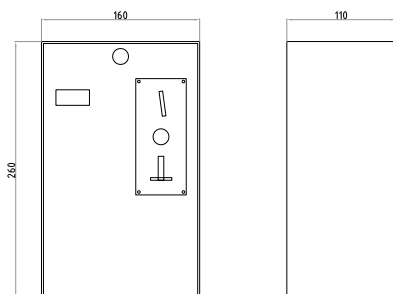
Wireless combobox

	<h3>Wireless combobox</h3> <p>For wireless connection between a faucet and the Service Monitor when using the wireless USB stick.</p> <ul style="list-style-type: none"> • Communication • Time function <p>IMPORTANT! One wireless USB stick and one wireless combobox per device is required for communication.</p>	
Description	Article number	
Wireless combobox	553.021.00	

Coin validator CONCASH 2.0, 1 shower, 1 coin type

Showers
Accessories

NEW



Coin validator for a shower enclosure with CONCASH 2.0 showers, paid water release via a coin type

Suitable for use in outdoor and wet areas, stainless steel housing, splash-proof electronics and connection via safety extra-low voltage.

Consisting of:

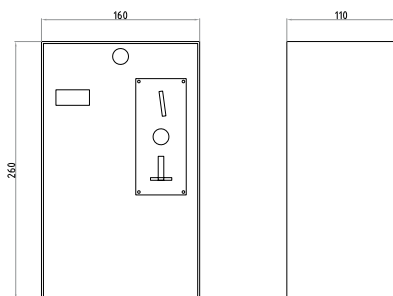
- LED display: 3-digit, red, with display of remaining showering time
- Use-dependent automatic hygienic flush, flushing interval and hygienic flush duration adjustable via display
- Optional thermal disinfection via key switch for showers with second bypass solenoid valve or with manual TD plug possible
- Setting the minimum insertion
- Price and time selection via display

Operating voltage: 24 V/DC
 Operating temperature: 0–40 °C
 Operating humidity: 30–70 %
 Dimensions (WxHxD): 160x260x110 mm
 Weight: 3,5 kg

Description	Numb. of showers	Version	Article number
Coin validator 1 shower	1	1 coin type	CONO138100

Coin validator CONCASH 2.0, 1 shower, coins / tokens

NEW



Coin validator for a shower enclosure with CONCASH 2.0 showers, paid water release on several types of coins and tokens

Suitable for use in outdoor and wet areas, stainless steel housing, splash-proof electronics and connection via safety extra-low voltage.

Consisting of:

- LED display: 3-digit, red, with display of remaining showering time
- Use-dependent automatic hygienic flush
- Flushing interval and hygienic flush duration adjustable via display
- Optional thermal disinfection via key switch for showers with second bypass solenoid valve or with manual TD plug possible
- Setting the minimum insertion
- Price and time selection via display

Coin types: 0,10 to 2,00 EUR
 Operating voltage: 24 V/DC
 Operating temperature: 0–40 °C
 Operating humidity: 30–70 %
 Dimensions (WxHxD): 160x260x110 mm
 Weight: 3,5 kg

Showers
Accessories

Description	Numb. of showers	Version	Article number
Coin validator 1 shower	1	Coins and tokens	CONO138200

Description	Packaging unit	Article number
Tokens	100	CONO138299

Coin validator CONCASH 2.0, 4 showers, coins / tokens

Showers
Accessories

NEW



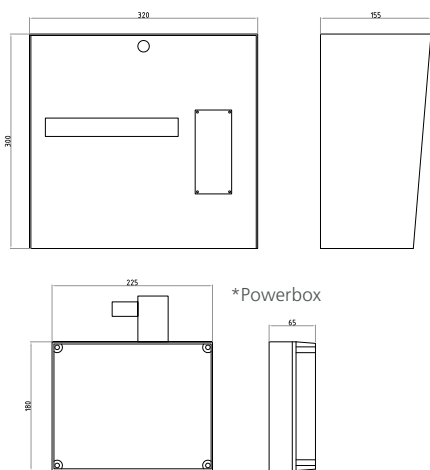
Coin validator for four shower enclosures with CONCASH 2.0 showers, paid water release on several types of coins and tokens

Suitable for use in outdoor and wet areas, stainless steel housing, splash-proof electronics and connection via safety extra-low voltage.

Consisting of:

- LED display: 8-digit, red
- Setting the minimum insertion
- Price and time selection via display per terminal differently adjustable
- Per button multi-coloured status LEDs for terminal selection display
- Evaluation of the cash meter and operating hours counter possible
- Use-dependent automatic hygienic flush
- Optional thermal disinfection via key switch for showers with second bypass solenoid valve or with manual TD plug possible
- Separate PowerBox * for power supply with relay outputs

Coin types: 0,10 to 2,00 EUR
 Operating voltage: 24 V/DC
 Operating temperature: 0–40 °C
 Operating humidity: 30–70 %
 Dimensions (WxHxD): 320x300x155 mm
 Weight: 7 kg

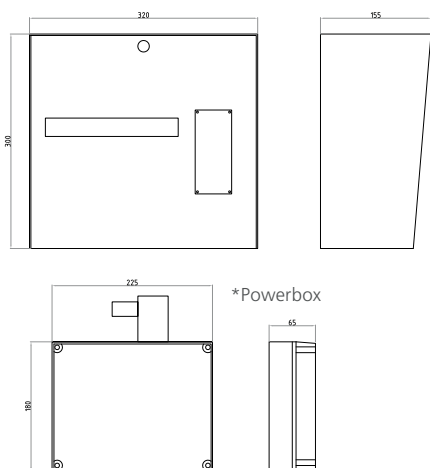


Description	Numb. of showers	Version	Article number
Coin validator 4 showers	up to 4	Coins and tokens	CONO131040

Description	Packaging unit	Article number
Tokens	100	CONO138299

Coin validator CONCASH 2.0, 4 showers, EC/ credit cards

NEW



Coin validator for max. four shower enclosures with CONCASH 2.0 showers, paid water release via EC and credit card reader

Suitable for use in outdoor and wet areas, stainless steel housing, splash-proof electronics and connection via safety extra-low voltage.

Consisting of:

- EC and credit card terminal for online payment up to 25 EUR per transaction
- LED display: 8-digit, red
- Price and time selection via display per terminal differently adjustable
- Per button multi-coloured status LEDs for terminal selection display
- Evaluation of the cash meter and operating hours counter possible
- Use-dependent automatic hygienic flush
- Optional thermal disinfection via key switch for showers with second bypass solenoid valve or with manual TD plug possible
- Separate PowerBox * for power supply with relay outputs

Operating voltage: 24 V/DC
 Operating temperature: 0–40 °C
 Operating humidity: 30–70 %
 Dimensions (WxHxD): 320x300x155 mm
 Weight: 7 kg

Showers
Accessories

Description	Numb. of showers	Version	Article number
Coin validator 4 showers	up to 4	EC and credit cards	CONO131045

Coin validator CONCASH 2.0, 8 showers, coins / tokens

Showers
Accessories

NEW



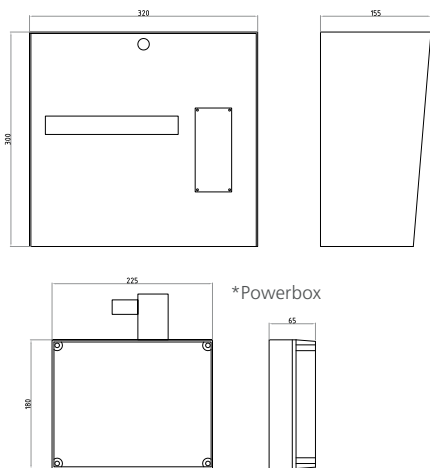
Coin validator for max. eight shower enclosures with CONCASH 2.0 showers, paid water release on several types of coins and tokens

Suitable for use in outdoor and wet areas, stainless steel housing, splash-proof electronics and connection via safety extra-low voltage.

Consisting of:

- LED display: 8-digit, red
- Setting the minimum insertion
- Price and time selection via display per terminal differently adjustable
- Per button multi-coloured status LEDs for terminal selection display
- Evaluation of the cash meter and operating hours counter possible
- Use-dependent automatic hygienic flush
- Optional thermal disinfection via key switch for showers with second bypass solenoid valve or with manual TD plug possible
- Separate PowerBox * for power supply with relay outputs

Coin types: 0,10 to 2,00 EUR
 Operating voltage: 24 V/DC
 Operating temperature: 0–40 °C
 Operating humidity: 30–70 %
 Dimensions (WxHxD): 320x300x155 mm
 Weight: 7 kg



Description	Numb. of showers	Version	Article number
Coin validator 8 showers	up to 8	Coins and tokens	CONO131080

Description	Packaging unit	Article number
Tokens	100	CONO138299

Coin validator CONCASH 2.0, 8 showers, EC / credit cards

NEW



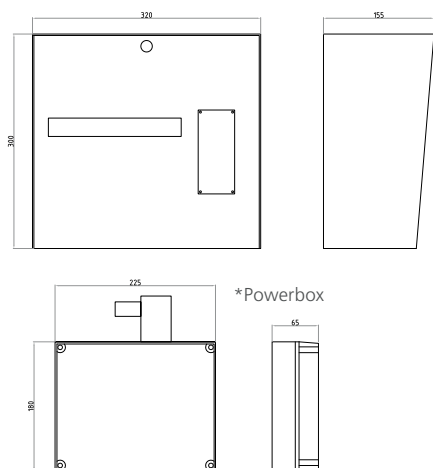
Coin validator for max. eight shower enclosures with CONCASH 2.0 showers, paid water release via EC and credit card reader

Suitable for use in outdoor and wet areas, stainless steel housing, splash-proof electronics and connection via safety extra-low voltage.

Consisting of:

- EC and credit card terminal for online payment up to 25 EUR per transaction
- LED display: 8-digit, red
- Price and time selection via display per terminal differently adjustable
- Per button multi-coloured status LEDs for terminal selection display
- Evaluation of the cash meter and operating hours counter possible
- Use-dependent automatic hygienic flush
- Optional thermal disinfection via key switch for showers with second bypass solenoid valve or with manual TD plug possible
- Separate PowerBox * for power supply with relay outputs

Operating voltage: 24 V/DC
 Operating temperature: 0–40 °C
 Operating humidity: 30–70 %
 Dimensions (WxHxD): 320x300x155 mm
 Weight: 7 kg



Description	Numb. of showers	Version	Article number
Coin validator 8 showers	up to 8	EC and credit cards	CONO131085

Showers
Accessories

Key switch set

Showers
Accessories



Key switch set, version with push button

To enable timed flow showers / shower panels with bypass valve, for thermal disinfection via CNX, for wall mounting

Consisting of:

- Wall-mounted housing, plastic
- Key switch with key

Dimensions (HxWxD): 80x72x56mm (without key)
IP protection: IP45

Description	Version	Article number
Key switch set	Push button	CONO330000



Key switch set, version with switch

To enable timed flow showers / shower panels with bypass valve, for thermal disinfection and hygiene flush, for wall mounting

Consisting of:

- Wall-mounted housing, plastic
- Key switch with key

Dimensions (HxWxD): 80x72x56mm (without key)
IP protection: IP45

Description	Version	Article number
Key switch set	Switch	CONO330010

TD plug




TD plug

For installation in CONTI + faucet and shower bodies as a bypass valve for performing a manual thermal disinfection


Operating pressure: 0,3 – 10,0 bar
Flow rate: 0,05 l/s (automatic flow regulator)
Water temperature max.: 70 °C (shortly up to 80 °C for thermal disinfection)

Description	Material	Article number
TD plug	Brass	CONO310000


CNX Converter

	CNX Converter To integrate CONTI+ faucets into the CNX Water Management System, by means of waterproof quick connectors, connecting cable and plug, conversion of the input signal from 30 V to 6 /12V.	
	Operating voltage: 30 V/DC Input: Approx. 17 mA Protection: IP68	Notice: CONO214641 includes: <ul style="list-style-type: none"> • Flush-mounted socket for masonry • Flush-mounted socket for dry construction
Description	Material	Article number
CNX Converter 6V	Plastic	CONO210000
CNX Converter for flush-mounted socket 6V	Plastic	CONO214641
CNX Converter 12 V (CONPRIMUS)	Plastic	CONO210012

BLE Converter for CONTI+ Service APP


	BLE Converter for CONTI+ Service APP To build up a Bluetooth connection between CONTI+ faucets and a mobile control unit as smartphone or tablet. Smart faucet connection via CONTI+ Service App.	
	Operating voltage: 30 V/DC Input: Approx. 17 mA Protection: IP68	Notice: CONO214641 includes: <ul style="list-style-type: none"> • Flush-mounted socket for masonry • Flush-mounted socket for dry construction
Description	Material	Article number
BLE Converter	Black	CONO260000

Solenoid valve II


	Solenoid valve II For installation in CONTI+ faucet bodies as a bypass solenoid valve for carrying out an electronic thermal disinfection, with connection cable and plug, with flow rate regulator.	
	Operating voltage: 6 V/DC Input: 3 W Operating pressure: 0,3 – 10,0 bar Flow rate: 0,05 l/s (automatic flow regulator) Water temperature max.: 70 °C (short-term up to 80°C for thermal disinfection) Protection: IP68	Notice: CONO214641 includes: <ul style="list-style-type: none"> • Flush-mounted socket for masonry • Flush-mounted socket for dry construction
Description	Material	Article number
Solenoid valve II	Plastic casing	CONO320000

CONGENIAL temperature sensor


Showers
Accessories

	<p>CONGENIAL temperature sensor</p> <p>Immersion sensor for logging the temperature during thermal disinfection of CONTI+ valves based on the CONGENIAL water path, integrated into the CNX Water Management System. For screwing into the water section housing. With connecting cable and plug.</p> <p>Material immersion sleeve: Stainless steel 1.4571 Diving length: Ca. 15 mm Material thread connection: Brass Thread: M10 x 1 Length of connecting cable: 300 mm Protection class: IP68</p>	
	Description	Version
CONGENIAL temperature sensor	Immersion sensor	CONO410000

CONSMART temperature sensor

	<p>Temperature sensor for CONSMART water path</p> <p>Contact sensor for recording the temperatures during thermal disinfection for CONTI + valves, based on the CONSMART water path, integrated in the CNX Water Management System. For insertion in the water path casing. Fixing device with hexagon screw. With connection cable and plug.</p> <p>Material: Stainless steel 1.4571 Protection class: IP68</p>	
	Description	Version
CONSMART temperature sensor	Contact sensor	CONO410010


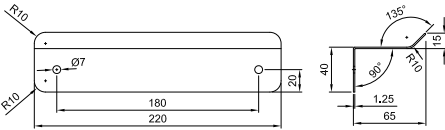
Cable


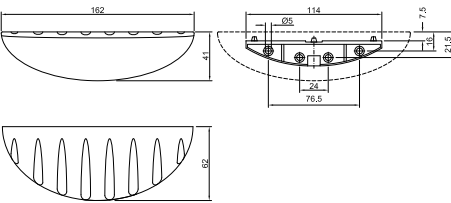
	<p>Cable J-Y(St)Y, 2x2x0,8 mm</p> <p>For electrical wiring of CONTI+ faucet</p> <p>Outer sheath: PVC, grey Outer diameter: 7 mm Temperature range: -30 °C to 70 °C foil screen</p>	
	Description	Packaging Unit
Cable J-Y(St)Y, 2x2x0,8 mm	100 m	CONO220000

Retrofit set cleaning stop

<p>Retrofit set cleaning stop for electronic showers</p> <p>Time-out of water flow activation during cleaning operations by placing the RC switch on the underside of the shower panel, to the right or above the piezo button on the cover plate.</p> <p>Notice: Concealed showers and shower panels, integrated into the CNX Water Management System, already include the cleaning stop function.</p> <p>Consisting of:</p> <ul style="list-style-type: none"> • Control electronics retrofit set • Reed contact • RC switch, magnet with handle 		
Description	Version	Article number
Retrofit set cleaning stop	Shower installation	CONO610000

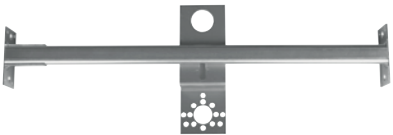
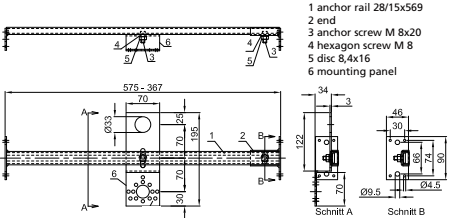
Soap dishes for shower faucets


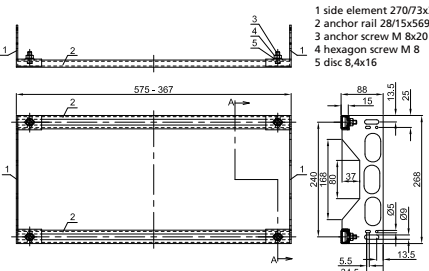
		<p>Soap dishes, stainless steel</p> <p>Made of stainless steel, material 1.4301, brushed finish, with mounting material</p> <p>Dimensions (HxWxD): 40x220x65 mm</p>
Description	Model	Article number
Soap dish, stainless steel	For wall mounting	CONO680000

		<p>Soap dish, ABS, for wall mounting</p> <p>Made of ABS, finish silver matt, with mounting material for masonry and shower panel</p> <p>Dimensions (HxWxD): 41x160x62 mm</p>
Description	Model	Article number
Soap dish, ABS	For wall mounting	CONO681000


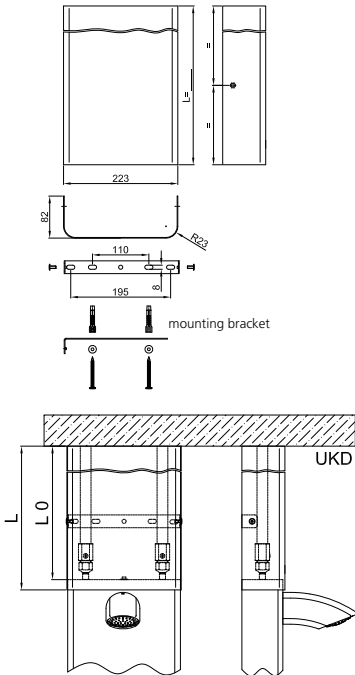
Crossbar


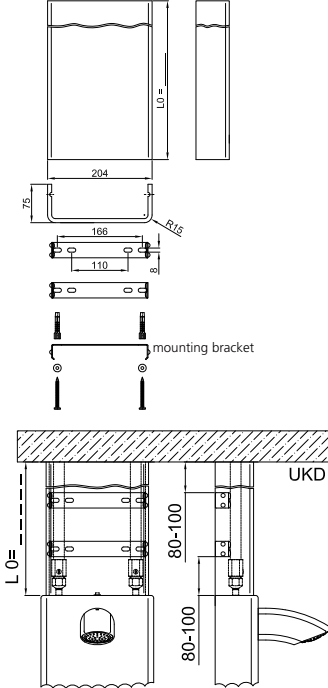
Showers
Accessories

	 <p>1 anchor rail 28/15x569 2 end 3 anchor screw M 8x20 4 hexagon screw M 8 5 disc 8,4x16 6 mounting panel</p>	<p>Crossbar, for CONTI+ shower heads CONHEAD</p> <p>Consisting of:</p> <ul style="list-style-type: none"> • 1 Anchor rail, type 28/15, with a fix and a movable side part • 1 Mounting plate for shower head connection • Installation width: variable 417-625 mm <p>Also usable with rail systems by manufacturers Geberit, Viega, TC Friatec, etc.</p>
<p>Description</p>	<p>Version</p>	<p>Article number</p>
<p>Crossbar, for CONTI shower heads CONHEAD</p>	<p>Wall mounting</p>	<p>CONO093000</p>

	 <p>1 side element 270/73x3 2 anchor rail 28/15x569 3 anchor screw M 8x20 4 hexagon screw M 8 5 disc 8,4x16</p>	<p>Crossbar frame, for CONBOX raw-assembling set</p> <p>For fastening in reinforced steel partition wall, double stud installation and installation walls in any profile thickness, with shortenable mounting width, electrogalvanized.</p> <p>Consisting of:</p> <ul style="list-style-type: none"> • 2 Anchor rails, Typ 28/15 • 2 Side parts, movable • 1 Mounting kit • Installation width: variable 417 – 625 mm <p>Also usable with rail systems by manufacturers Geberit, Viega, TC Friatec, etc.</p>
<p>Description</p>	<p>Version</p>	<p>Article number</p>
<p>Crossbar frame, for CONBOX raw-assembling set</p>	<p>Wall mounting</p>	<p>CONO690000</p>

Cover extension

		<p>Cover extension, stainless steel</p> <p>For shower panels made of stainless steel, to obfuscate the access lines.</p> <p>Cover extension at least 65 mm.</p>
<p>Description</p>	<p>Version</p>	<p>Article number</p>
<p>Cover extension, stainless steel</p>	<p>Custom-made</p>	<p>CONO660000</p>

		<p>Cover extension AWW</p> <p>For shower panels made of AWW, to obfuscate the access lines.</p> <p>Cover extension at least 65 mm.</p>
<p>Description</p>	<p>Version</p>	<p>Article number</p>
<p>Cover extension AWW</p>	<p>Custom-made</p>	<p>CONO661000</p>

Accessoires

	<p>Connection hose set for CONGENIAL shower panels</p> <p>Connection from top or from rear, incl. two flexible hoses, flat gaskets and connection angles.</p> <p>Hose length: 1330 mm</p>	
Description	Connection	Article number
Connection hose set for CONGENIAL shower panels	R 1/2	CONO670010
	<p>Sample taking set CONHEAD, CSV, DN15</p> <p>For the professional removal of drinking water samples according to DIN EN ISO 19485 for CONTI+ shower heads CITY, SHORTY and VESUV.</p> <p>Consisting of:</p> <ul style="list-style-type: none"> • Aiming jig, heavy solid version made of brass, with flame tube made of stainless steel 1.4301 	
Description	Nominal width	Article number
Sample taking set, CONHEAD, CSV	DN15	CONO350000
	<p>Sample taking set CONHEAD, GR, DN15</p> <p>For the professional sample taking of drinking water according to DIN EN ISO 19485 for CONTI+ shower heads GOLF and RAIN2.</p> <p>Consisting of:</p> <ul style="list-style-type: none"> • Aiming jig, heavy solid version made of brass, with flame tube made of stainless steel 1.4301 	
Description	Nominal width	Article number
Sample taking set, CONHEAD	DN15	CONO351000
	<p>Service pipe</p> <p>For the safe passing of shower water to service personnel during maintenance or when performing a manual thermal disinfection.</p> <p>Consisting of:</p> <ul style="list-style-type: none"> • Thermometer • Telescopic tube, 1530-2560 mm extendable 	
Description	Length	Article number
Service pipe	1530-2560 mm extendable	CONO352000

Cleaning products

	<p>Microfiber cloth grey</p> <p>Soft microfiber cloth for professional use. With velvety surface for slightly textured, smooth and delicate surfaces, very good for cleaning stainless steel, chrome, aluminum, faucets and lacquered surface, washable up to 95 °C.</p>	
Description	Dimension	Article number
Microfiber cloth grey	Approx. 400x400 mm	CONO690200

	<p>Cleaner BR75</p> <p>Swimming pool and sanitary cleaner for all public and private swimming pools, toilets (urinals), showers and bath rooms, acid-resistant tiles and sanitary porcelain, as well as for removal of cement veils.</p>	
Description	Capacity	Article number
Cleaner BR75	1000 ml	CONO690100

Tool kit

	<p>Tool kit for service and assembly of CONTI+ faucets</p> <p>Consisting of:</p> <ul style="list-style-type: none"> • 1 Hook wrench 38 mm • 1 Allen key SW 3x36x16,5 • 1 Face spanner adjustable • 1 Face spanner-screwdriver with handle • 1 Hexagon key SW 2x100 • 1 Hexagon key SW 2,5x100 • 1 Hexagon key SW 3x100 • 1 Hexagon key SW 6x160 • 1 Allen key SW 4x140x28 • 1 Microfiber cloth • 1 Tool-belt bag 	
Description	Colour	Article number
Tool kit for service and assembly of CONTI+ faucets	Blue	CONO690300



Shower heads

Refreshingly versatile and individually combinable

Highest quality shower heads for use in public, semi-public and commercial areas. Whether in combination with CONTI+ shower panels or as a concealed shower combination, the appealing design, the variety of spray patterns and the robust construction - CONHEAD convinces. They are the ideal products for public swimming pools, spas, prisons and public administration and federal institutions, where products need to meet most stringent demands due to vandalism, suicide protection and cleaning requirements.



Shower heads

Jet shower heads	176
Rain shower heads	180
Shower head kits	182
Hand shower set	184
Wall elbow	184
Wall duct	185
Adapter	185

CONHEAD jet shower head



CONHEAD jet shower head GOLF, DN15

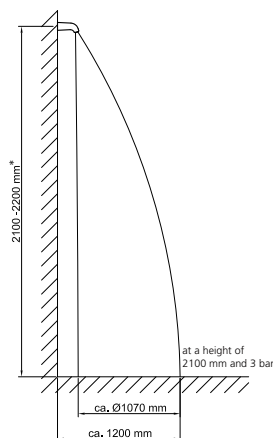
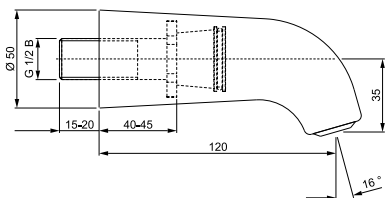
Consisting of:

- Shower head fixed, heavy, solid version made of brass, with low maintenance single jet nozzle, low aerosol, chromed
- Brass plug-in connection (pre-assembled with shower panels) with integrated flow rate limiter

Connection: G 1/2 B
 Flow rate: 0,15 l/s (flow rate controller)
 Minimum flow pressure: 1,0 bar
 Max. water temperature: 75 °C
 Projection: 120 mm
 Flow angle: 16°

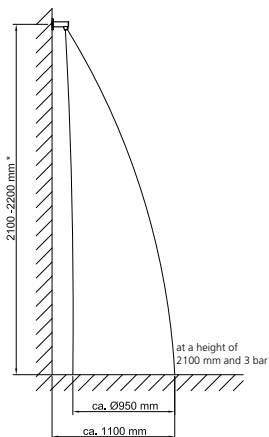
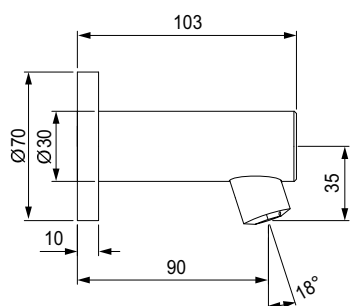
Optionally combineable with:

CONO091000 Ball-type nozzle



Description	Installation	Material / Colour	Article number
CONHEAD jet shower head GOLF, DN 15	For shower panels	Chromed	CONO010010
	For wall mounting	Chromed	CONO010000

CONHEAD jet shower head



CONHEAD jet shower head CITY, DN15

Consisting of:

- Shower head fixed, heavy, solid version made of brass, chromed, with integrated swirl insert and low maintenance single jet nozzle, low aerosol, or alternatively made of stainless steel, mate 1.4404
- Brass plug-in connection (pre-assembled with shower panels), with integrated flow rate limiter

Connection: G 1/2 B
 Flow rate: 0,15 l/s (flow rate controller)
 Minimum flow pressure: 1,0 bar
 Max. water temperature: 75 °C
 Projection: 90 mm
 Flow angle: 18°

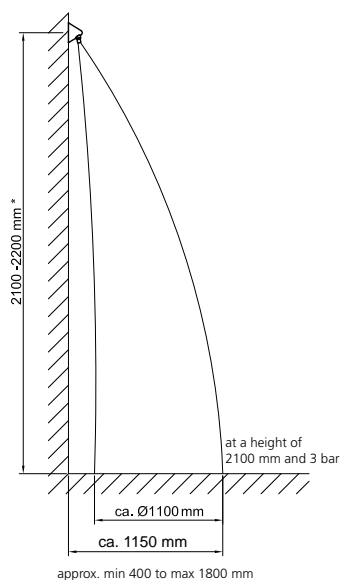
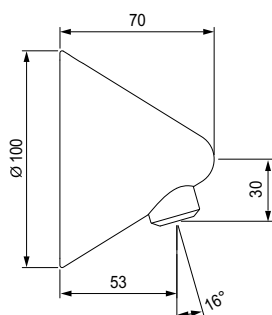
Version with flow rate limiter available in 0.1 l/s and 0.2 l/s

Optionally combineable with:
 CONO091000 Ball-type nozzle

Description	installation	Material / Colour	Article number
CONHEAD jet shower head CITY, DN 15	For shower panels	Chromed	CONO050010
	For shower panels	Stainless steel	CONO051010
CONHEAD jet shower head CITY, DN 15	For wall mounting	Chromed	CONO050000
	For wall mounting	Stainless steel	CONO051000

Shower heads

CONHEAD jet shower head



CONHEAD jet shower head VESUV, DN15

Consisting of:

- Shower head fixed, heavy, solid version made of brass, with integrated swirl insert and low maintenance single jet nozzle and fixed flow angle, low aerosol, chromed
- Brass plug-in connection (pre-assembled with shower panels), with integrated flow rate limiter

Connection: G 1/2
 Flow rate: 0,15 l/s (flow rate controller)
 Minimum flow pressure: 1,0 bar
 Max. water temperature: 75 °C
 Projection: 53 mm
 Flow angle: 16°

Optionally combineable with:

CONO91000 Ball-type nozzle

Description	Installation	Material / Colour	Article number
CONHEAD jet shower head VESUV, DN15	For shower panels	Chromed	CONO060010
	For wall mounting	Chromed	CONO060000

CONHEAD jet shower head

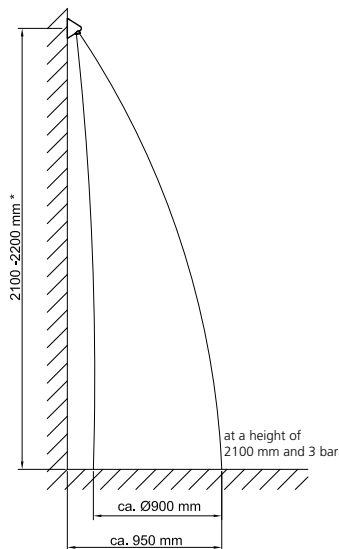
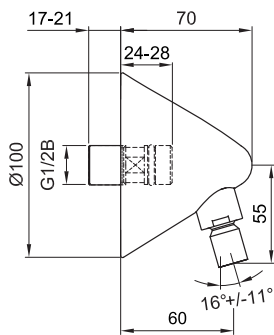


CONHEAD jet shower head VESUV, DN15, with adjustable flow angle

Consisting of:

- Shower head fixed, heavy, solid version made of brass, with integrated swirl insert and low maintenance single jet nozzle, with adjustable flow angle, low aerosol, chromed
- Brass plug-in connection (pre-assembled with shower panels), with integrated flow rate limiter

Connection: G 1/2 B
 Flow rate: 0,15 l/s (flow rate controller)
 Minimum flow pressure: 1,0 bar
 Max. water temperature: 75 °C
 Projection: With adjustable jet inclination
 Flow angle: 16°±11°



Shower heads

Description	Installation	Material / Colour	Article number
COHEAD jet shower head VESUV, DN15 with adjustable jet inclination	For shower panels	Chromed	CONO061010
	For wall mounting	Chromed	CONO061000

CONHEAD rain shower head

Shower heads

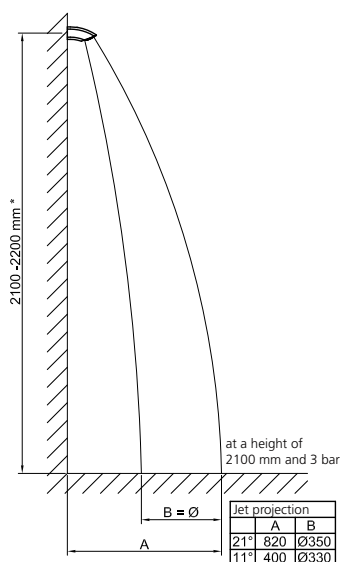
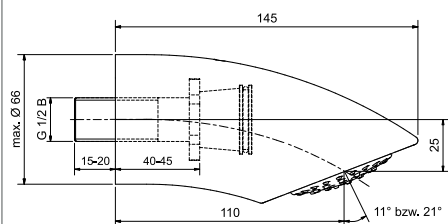


CONHEAD rain shower head RAIN2, DN15

Consisting of:

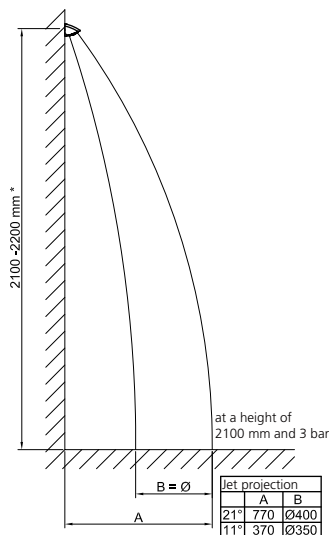
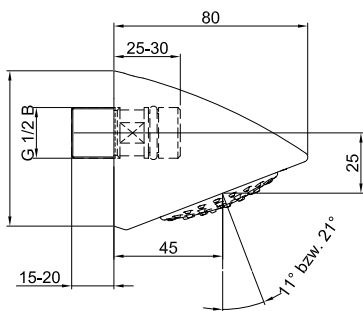
- Shower head fixed, heavy, solid version made of brass, shower base made from GRP and anti-scaling nozzle with invisible, theft-proof fixings, normal jet, with adjustable flow angle, low aerosol, chrome plated housing
- Brass plug-in connection (pre-assembled with shower panels), with integrated flow rate limiter

Connection: G 1/2 B
 Flow rate: 0,15 l/s (flow rate limiter)
 Minimum flow pressure: 1,0 bar
 Max. water temperature: 75 °C
 Projection: 110 mm
 Flow angle: 11° or 21°



Description	Installation	Material / Colour	Article number
CONHEAD rain shower head RAIN2, DN15	For shower panels	Chromed	CONO020010
	For wall mounting	Chromed	CONO020000

CONHEAD rain shower head



CONHEAD rain shower head SHORTY, DN15

Consisting of:

- Shower head fixed, heavy, solid version made of brass, shower base made from GRP and anti-scaling nozzle with invisible, theft-proof fixings, normal jet, with adjustable flow angle, low aerosol, chrome plated housing
- Brass plug-in connection (pre-assembled with shower panels), with integrated flow rate limiter

Connection: G 1/2 B
 Flow rate: 0,15 l/s (flow rate limiter)
 Minimum flow pressure: 1,0 bar
 Max. water temperature: 75 °C
 Projection: 45 mm
 Flow angle: 11° or 21°

Shower heads

Description	Installation	Material / Colour	Article number
CONHEAD rain shower head SHORTY, DN15	For shower panels	Chromed	CONO030010
	For wall mounting	Chromed	CONO030000

CONHEAD shower head kit

Shower heads

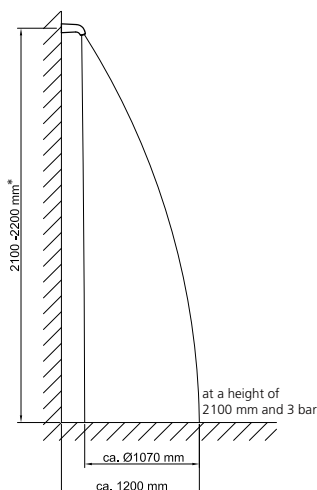
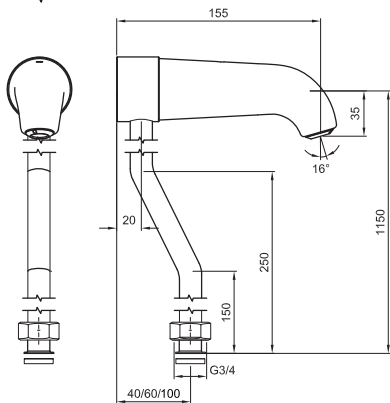
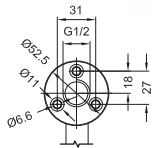


CONHEAD shower head kit GOLF, DN15

Consisting of:

- Shower head fixed, heavy, solid version made of brass, with integrated swirl insert and low maintenance single jet nozzle, low aerosol, chromed
- Brass plug-in connection, with integrated flow rate limiter
- Shower riser made of brass Ø 18 mm, trimmed to length, with adapter for wall mounting and fasteners

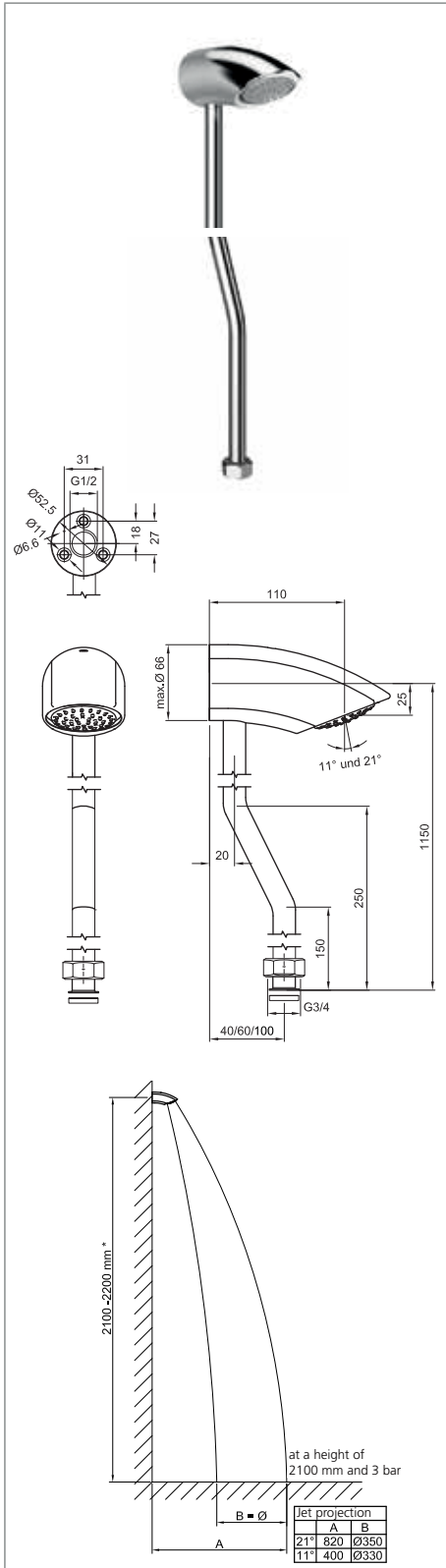
Connection: G 3/4
 Flow rate: 0,15 l/s (flow rate limiter)
 Minimum flow pressure: 1,0 bar
 Max. water temperature: 75 °C
 Projection: 155 mm
 Flow angle: 11° or 21°



Description	Wall distance	Dimension	Article number
CONHEAD shower head kit GOLF	40 mm	DN15	CONO010040
	60 mm	DN15	CONO010060
	100 mm	DN15	CONO010100

CONHEAD shower head kit

Shower heads



CONHEAD shower head kit RAIN2, DN15

Consisting of:


- Shower head fixed, heavy, solid version made of brass, shower base made from GRP and anti-scaling nozzle with invisible, theft-proof fixings, normal jet, with adjustable flow angle, low aerosol, chrome plated housing
- Brass plug-in connection, with integrated flow rate limiter
- Shower riser made of brass Ø 18 mm, trimmed to length, with adapter for wall mounting and fasteners

Connection: G 3/4
 Flow rate: 0,15 l/s (flow rate limiter)
 Minimum flow pressure: 1,0 bar
 Max. water temperature: 75 °C
 Projection: 110 mm
 Flow angle: 16°


Description	Wall distance	Dimension	Article number
CONHEAD shower head kit RAIN2	40 mm	DN15	CONO020040
	60 mm	DN15	CONO020060
	100 mm	DN15	CONO020100

CONHEAD hand shower set

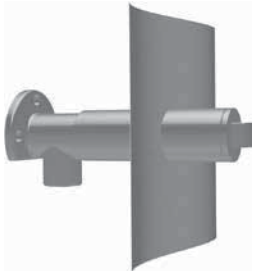
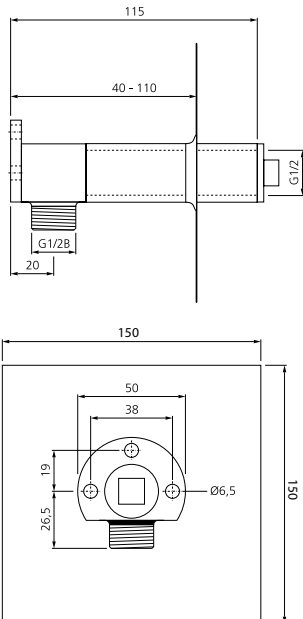
Shower heads

	<p>CONHEAD hand shower set, DN15</p> <p>Consisting of:</p> <ul style="list-style-type: none"> • Hand shower made of plastic, with anti-scaling nozzles as hygienic single jet version, chromed • Shower riser, 1000 mm long, solid, stainless steel, fine mat finish, Ø 22 mm, with infinitely adjustable handheld shower bracket made of stainless steel and plastic coated modular elements, with ergonomically curved handle for safe and easy single handed height adjustment without twisting • With wall brackets made of aluminium, black-grey (RAL 7021), Ø 70 mm, for flush mounting by covering panel made of stainless steel, fine mat finished covers, incl. fasteners for solid masonry <p>Connection: G 1/2 Overall length: 1000 mm</p>		
	Description	Installation	Material / Colour
CONHEAD hand shower set	for shower panels	Chromed	CONO040010
	for wall installation	Chromed	CONO040000

Wall elbow


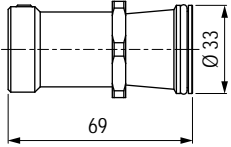
	<p>Wall elbow, DN15</p> <p>Wall elbow, high-gloss chromed, intrinsically safe according to DIN EN 1717, design housing made of plastic</p> <p>Connection: G 1/2</p>		
	Description	Dimension	Material / Colour
Wall elbow	DN15	Plastic, high-gloss chromed	CONO092000

Wall duct

		<p>Wall duct DN15</p> <p>Consisting of:</p> <ul style="list-style-type: none"> • Waterproof wall duct, designed as a wall plate • With extension and flexible gasket ring <p>Connection inlet: G 1/2 Connection outlet: G 1/2 Gasket ring: 150x150 mm Total length: 115 mm</p>	
Description	Dimension	Material	Article number
Wall duct with gasket ring	DN15	Brass	CONO090000

Shower heads

Adapter

		<p>Adapter for shower heads, DN15</p> <p>Adapter for plug connection (small) for retrofitting shower panels and wall-mounted shower heads CONHEAD GOLF and RAIN2</p> <p>Consisting of:</p> <ul style="list-style-type: none"> • Brass body with safety set screw <p>Length: 69 mm Diameter: 33 mm</p>	
Description	Dimension	Material	Article number
Adapter for shower heads GOLF and RAIN2	DN15	Brass	CONO094000



Spa & Wellness

Feel-good and relax solutions

CONWELL stands for the regenerative phases in an increasingly hectic life. High-quality rain shower heads provide a quick cooling off after sauna or steam bath. Large diameters of up to 300 mm create a pleasant rain feeling. For whom this form of refreshment lasts too long, we offer our waterfall bucket showers made of resistant and precious Kambala wood.



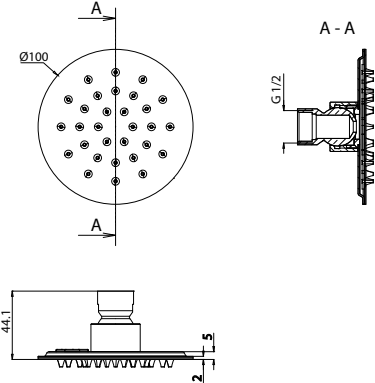
For several hundred years Kneipp showers have been used to help people with increased blood pressure, to strengthen the body's defences, calming and sleeping aid as well as against headache. CONTI+ Kneipp fittings bring invigorating cold water to the places where you want.



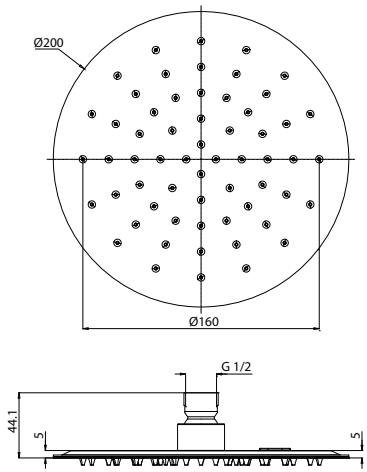


Spa & Wellness



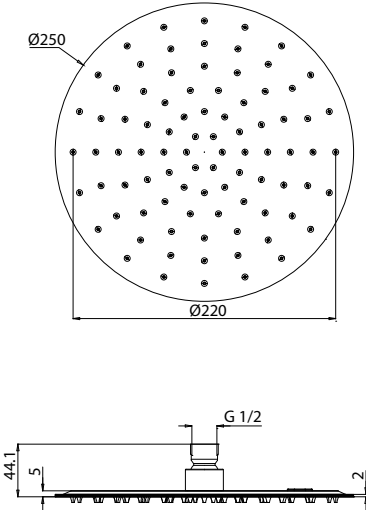
Rain/spiked shower heads	188
Spray / jet shower heads	194
Waterfall shower head	195
Ball-type nozzle.....	195
Shower arms.....	196
Waterfall bucket showers.....	198
Power shower sets	199
Shower sets for Kneipp's affusion	201



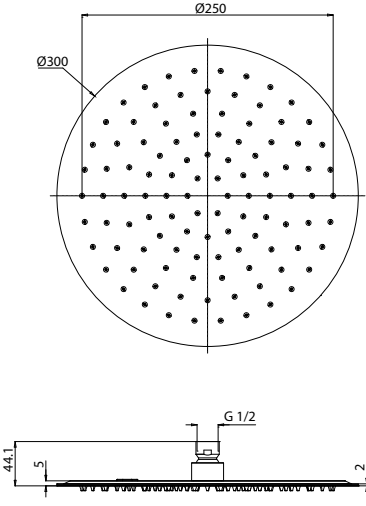
CONWELL rain shower head safety valve

 			<p>CONWELL rain shower head round 100, DN15</p> <p>For wall and ceiling mounting via shower tube or shower arm.</p> <ul style="list-style-type: none"> • Round, light and flat design • Two-layer stainless steel perimeter welding • Patented safety valve <p>Consisting of:</p> <ul style="list-style-type: none"> • Shower head: stainless steel AISI 304, chromed • Antibacterial anti-lime silicone nozzles • Ball joint connection, chromed <p>Flow pressure (min.): 1,0 bar Flow pressure (max.): 3,0 bar Flow rate: 9 l/min. (flow rate controller)</p> <p>Water temperature (max.): 70 °C (short-term up to 80 °C for TD)</p> <p>Weight empty: 0,4 kg Diameter: 100 mm Number of nubs: 30 pieces Connection: G 1/2 B</p>
	Description	Diameter	Material / Colour
CONWELL rain shower head round 100, DN15	100 mm	Chromed	CONH14131000100



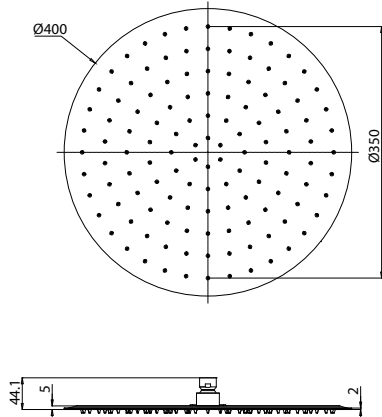
 			<p>CONWELL rain shower head round 200, DN15</p> <p>For wall and ceiling mounting via shower tube or shower arm.</p> <ul style="list-style-type: none"> • Round, light and flat design • Two-layer stainless steel perimeter welding • Patented safety valve <p>Consisting of:</p> <ul style="list-style-type: none"> • Shower head: stainless steel AISI 304, chromed • Antibacterial anti-lime silicone nozzles • Ball joint connection, chromed <p>Flow pressure (min.): 1,0 bar Flow pressure (max.): 5,0 bar Flow rate: 9 l/min. (flow rate controller)</p> <p>Water temperature (max.): 70 °C (short-term up to 80 °C for TD)</p> <p>Weight empty: 0,8 kg Diameter: 200 mm Number of nubs: 60 pieces Connection: G 1/2 B</p>
	Description	Diameter	Material / Colour
CONWELL rain shower head round 200, DN15	200 mm	Chromed	CONH14131000200



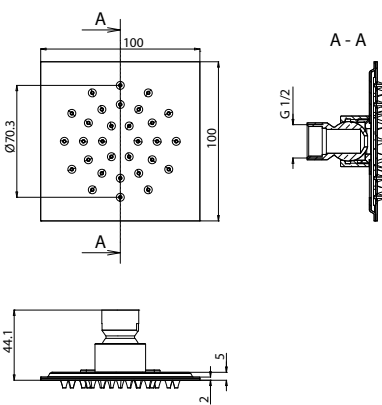
CONWELL rain shower head safety valve

 			<p>CONWELL rain shower head round 250, DN15</p> <p>For wall and ceiling mounting via shower tube or shower arm.</p> <ul style="list-style-type: none"> • Round, light and flat design • Two-layer stainless steel perimeter welding • Patented safety valve <p>Consisting of:</p> <ul style="list-style-type: none"> • Shower head: stainless steel AISI 304, chromed • Antibacterial anti-lime silicone nozzles • Ball joint connection, chromed <p>Flow pressure (min.): 1,0 bar Flow pressure (max.): 5,0 bar Flow rate: 9 l/min. (flow rate controller)</p> <p>Water temperature (max.): 70 °C (short-term up to 80 °C for TD)</p> <p>Weight empty: 1,0 kg Diameter: 250 mm Number of nubs: 88 pieces Connection: G 1/2 B</p>
	Description	Diameter	Material / Colour
CONWELL rain shower head round 250, DN15	250 mm	Chromed	CONH14131000250


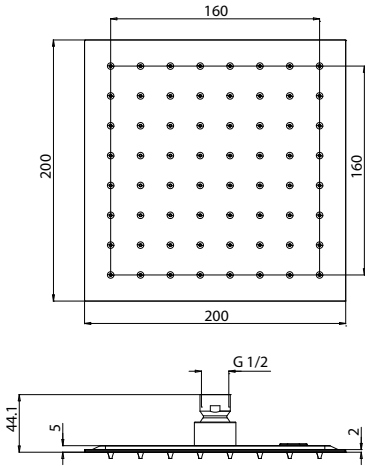
 			<p>CONWELL rain shower head round 300, DN15</p> <p>For wall and ceiling mounting via shower tube or shower arm.</p> <ul style="list-style-type: none"> • Round, light and flat design • Two-layer stainless steel perimeter welding • Patented safety valve <p>Consisting of:</p> <ul style="list-style-type: none"> • Shower head: stainless steel AISI 304, chromed • Antibacterial anti-lime silicone nozzles • Ball joint connection, chromed <p>Flow pressure (min.): 1,0 bar Flow pressure (max.): 5,0 bar Flow rate: 15 l/min. (flow rate controller)</p> <p>Water temperature (max.): 70 °C (short-term up to 80 °C for TD)</p> <p>Weight empty: 1,2 kg Diameter: 300 mm Number of nubs: 108 pieces Connection: G 1/2 B</p>
	Description	Diameter	Material / Colour
CONWELL rain shower head round 300, DN15	300 mm	Chromed	CONH14131000300


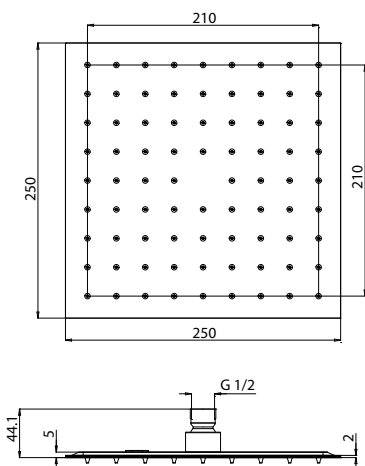
CONWELL rain shower head safety valve

 			<p>CONWELL rain shower head round 400, DN15</p> <p>For wall and ceiling mounting via shower tube or shower arm.</p> <ul style="list-style-type: none"> • Round, light and flat design • Two-layer stainless steel perimeter welding • Patented safety valve <p>Consisting of:</p> <ul style="list-style-type: none"> • Shower head: stainless steel AISI 304, chromed • Antibacterial anti-lime silicone nozzles • Ball joint connection, chromed <p>Flow pressure (min.): 1,0 bar Flow pressure (max.): 5,0 bar Flow rate: 15 l/min. (flow rate controller)</p> <p>Water temperature (max.): 70 °C (short-term up to 80 °C for TD)</p> <p>Weight empty: 1,6 kg Diameter: 400 mm Number of nubs: 126 pieces Connection: G 1/2 B</p>
	Description	Diameter	Material / Colour
CONWELL rain shower head round 400, DN15	400 mm	Chromed	CONH14131000400


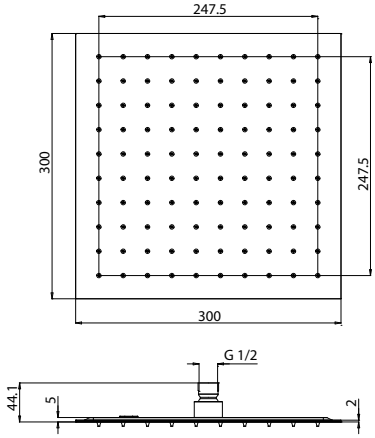
 			<p>CONWELL rain shower head square 100, DN15</p> <p>For wall and ceiling mounting via shower tube or shower arm.</p> <ul style="list-style-type: none"> • Square, light and flat design • Two-layer stainless steel perimeter welding • Patented safety valve <p>Consisting of:</p> <ul style="list-style-type: none"> • Shower head: stainless steel AISI 304, chromed • Antibacterial anti-lime silicone nozzles • Ball joint connection, chromed <p>Flow pressure (min.): 1,0 bar Flow pressure (max.): 3,0 bar Flow rate: 9 l/min. (flow rate controller)</p> <p>Water temperature (max.): 70 °C (short-term up to 80 °C for TD)</p> <p>Weight empty: 0,5 kg Dimensions: 100x100 mm Number of nubs: 30 pieces Connection: G 1/2 B</p>
	Description	Dimensions	Material / Colour
CONWELL rain shower head square 100, DN15	100x100 mm	Chromed	CONH14133000100


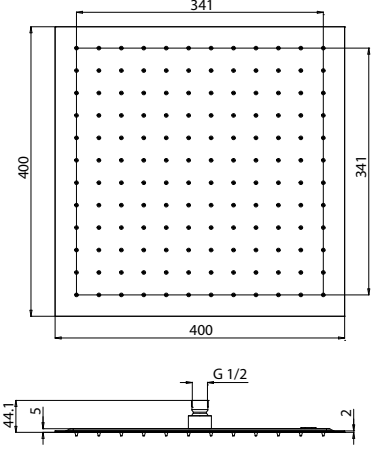
CONWELL rain shower head safety valve

		<p>CONWELL rain shower head square 200, DN15</p> <p>For wall and ceiling mounting via shower tube or shower arm.</p> <ul style="list-style-type: none"> • Square, light and flat design • Two-layer stainless steel perimeter welding • Patented safety valve <p>Consisting of:</p> <ul style="list-style-type: none"> • Shower head: stainless steel AISI 304, chromed • Antibacterial anti-lime silicone nozzles • Ball joint connection, chromed <p>Flow pressure (min.): 1,0 bar Flow pressure (max.): 5,0 bar Flow rate: 9 l/min. (flow rate controller)</p> <p>Water temperature (max.): 70 °C (short-term up to 80 °C for TD)</p> <p>Weight empty: 1,0 kg Dimensions: 200x200 mm Number of nubs: 64 pieces Connection: G 1/2 B</p>	
Description	Dimensions	Material / Colour	Article number
CONWELL rain shower head square 200, DN15	200x200 mm	Chromed	CONH14133000200


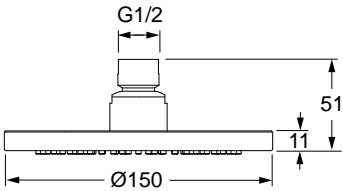
		<p>CONWELL rain shower head square 250, DN15</p> <p>For wall and ceiling mounting via shower tube or shower arm.</p> <ul style="list-style-type: none"> • Square, light and flat design • Two-layer stainless steel perimeter welding • Patented safety valve <p>Consisting of:</p> <ul style="list-style-type: none"> • Shower head: stainless steel AISI 304, chromed • Antibacterial anti-lime silicone nozzles • Ball joint connection, chromed <p>Flow pressure (min.): 1,0 bar Flow pressure (max.): 5,0 bar Flow rate: 9 l/min. (flow rate controller)</p> <p>Water temperature (max.): 70 °C (short-term up to 80 °C for TD)</p> <p>Weight empty: 1,2 kg Dimensions: 250x250 mm Number of nubs: 80 pieces Connection: G 1/2 B</p>	
Description	Dimensions	Material / Colour	Article number
CONWELL rain shower head square 250, DN15	250x250 mm	Chromed	CONH14133000250

CONWELL rain shower head safety valve

		<p>CONWELL rain shower head square 300, DN15</p> <p>For wall and ceiling mounting via shower tube or shower arm.</p> <ul style="list-style-type: none"> • Square, light and flat design • Two-layer stainless steel perimeter welding • Patented safety valve <p>Consisting of:</p> <ul style="list-style-type: none"> • Shower head: stainless steel AISI 304, chromed • Antibacterial anti-lime silicone nozzles • Ball joint connection, chromed <p>Flow pressure (min.): 1,0 bar Flow pressure (max.): 5,0 bar Flow rate: 15 l/min. (flow rate controller)</p> <p>Water temperature (max.): 70 °C (short-term up to 80 °C for TD)</p> <p>Weight empty: 1,4 kg Dimensions: 300x300 mm Number of nubs: 100 pieces Connection: G 1/2 B</p>	
Description	Dimensions	Material / Colour	Article number
CONWELL rain shower head square 300, DN15	300x300 mm	Chromed	CONH14133000300


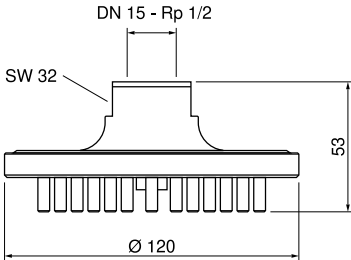
		<p>CONWELL rain shower head square 400, DN15</p> <p>For wall and ceiling mounting via shower tube or shower arm.</p> <ul style="list-style-type: none"> • Square, light and flat design • Two-layer stainless steel perimeter welding • Patented safety valve <p>Consisting of:</p> <ul style="list-style-type: none"> • Shower head: stainless steel AISI 304, chromed • Antibacterial anti-lime silicone nozzles • Ball joint connection, chromed <p>Flow pressure (min.): 1,0 bar Flow pressure (max.): 5,0 bar Flow rate: 15 l/min. (flow rate controller)</p> <p>Water temperature (max.): 70 °C (short-term up to 80 °C for TD)</p> <p>Weight empty: 1,8 kg Dimensions: 400x400 mm Number of nubs: 144 pieces Connection: G 1/2 B</p>	
Description	Dimensions	Material / Colour	Article number
CONWELL rain shower head square 400, DN15	400x400 mm	Chromed	CONH14133000400

CONWELL rain shower head


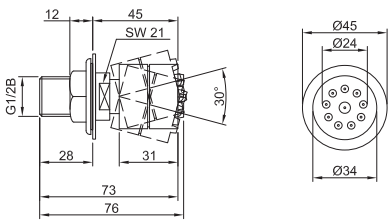
		<p>CONWELL rain shower head round, DN15</p> <p>For wall and ceiling mounting via shower pipes or shower arm.</p> <p>Consisting of:</p> <ul style="list-style-type: none"> Ceiling-mounted, multi-hole shower heads, made of brass, soft jet, low aerosol, with anti-scale nozzles, chromed <p>Connection: G 1/2 Diameter: 150 mm Flow rate: 0,4 l/s (3 bar flow pressure) Flow pressure (min.): 0,5 bar Water temperature (max.): 70 °C</p>	
Description	Diameter	Material / Colour	Article number
CONWELL rain shower head round, DN15	150 mm	Chromed	CONH04131000150

Spa & Wellness

CONWELL spiked shower head


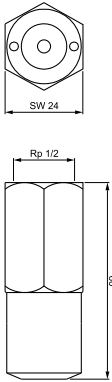
		<p>CONWELL spiked shower head round, DN15</p> <p>For wall and ceiling mounting via shower tube or shower arm.</p> <p>Consisting of:</p> <ul style="list-style-type: none"> Multi jet shower head, heavy solid brass version, hard jet, low aerosol, chromed <p>Connection: Rp 1/2 Diameter: 120 mm Flow rate: 0,58 l/s (1,0 bar flow pressure) Flow pressure (min.): 0,5 bar Water temperature (max.): 75 °C</p>	
Description	Diameter	Material / Colour	Article number
CONWELL spiked shower head round, DN15	120 mm	Chromed	CONH01131000120

CONWELL spray shower head


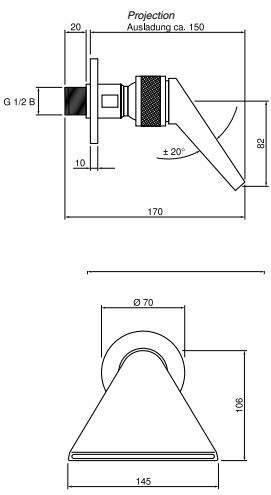
		<p>CONWELL spray shower head, DN15</p> <p>Consisting of:</p> <ul style="list-style-type: none"> Spray shower head, heavy solid brass version, soft jet, with anti-lime nozzle, ball joint and rosette, for wall or panel mounting, chromed <p>Connection: G 1/2 B Calculated flow rate: 0,25 l/s (1,0 bar flow pressure) Flow pressure (min.): 1,0 bar Water temperature (max.): 75 °C Projection: 45 mm</p>	
Description	Nominal width	Material / Colour	Article number
CONWELL spray shower head	DN15	Chromed	CONH0213000000

Spa & Wellness

CONWELL jet shower head


		<p>CONWELL jet shower head MINI, DN15</p> <p>For ceiling mounting.</p> <ul style="list-style-type: none"> Shower head, fixed, heavy solid brass version, with integrated flow rate controller, integrated swirl insert and low-maintenance single jet ball nozzle, low aerosol, chromed <p>Connection: Rp 1/2 Flow rate: 0,15 l/s (flow rate controller) Flow pressure (min.): 1,0 bar Water temperature (max.): 75 °C</p> <p>Version with 0,1 l/s and 0,2 l/s flow rate controller available.</p>	
Description	Nominal width	Material / Colour	Article number
CONWELL jet shower head MINI	DN15	Chromed brass	CONH0313000001

CONHEAD waterfall shower head


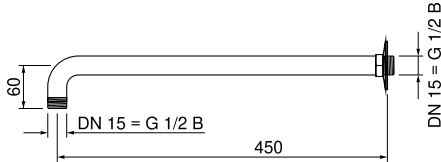
		<p>CONHEAD waterfall shower head, DN15</p> <p>Consisting of:</p> <ul style="list-style-type: none"> • Heavy solid brass version, for wall mounting, with ball joint and rosette, low aerosol, chromed <p>Connection: G 1/2 B Flow rate: 0,66 l/s (1,0 bar) Flow pressure (min.): 0,5 bar Water temperature (max.): 75 °C Projection: 150 mm</p>	
Description	Nominal width	Material / Colour	Article number
CONHEAD waterfall shower head	DN15	Chromed	CONO070000

Spa & Wellness

CONWELL ball-type nozzle


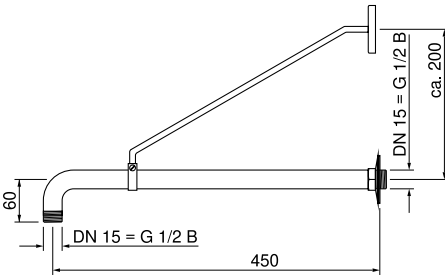
		<p>CONWELL ball-type nozzle, DN15</p> <p>For variable flow angles for jet shower heads GOLF, VESUV, CITY, MINI, MAXI.</p> <p>Consisting of:</p> <ul style="list-style-type: none"> • 1x ball nozzle holder made of black POM (visible by use in CITY, MINI and MAXI shower heads), with integrated swirl insert and a low-maintenance brass single-jet ball nozzle, chrome-plated <p>Connection: G 1/2 Total length: 55 mm Flow angle: ±11 Grad Flow pressure (min.): 1,0 bar</p>	
Description	Nominal width	Material / Colour	Article number
CONWELL ball-type nozzle	DN15	Chromed	CONO091000

Shower arm


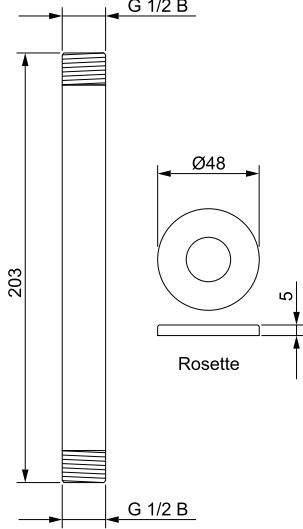
			<p>Shower arm, DN15</p> <p>For mounting shower heads on the wall.</p> <p>Consisting of:</p> <ul style="list-style-type: none"> • Heavy solid brass version with rosette, chromed <p>Connection DN15: G 1/2 B Projection: 450 mm</p>
	Description	Nominal width	Material / Colour
Shower arm	DN15	Chromed	CONO090450

Spa & Wellness


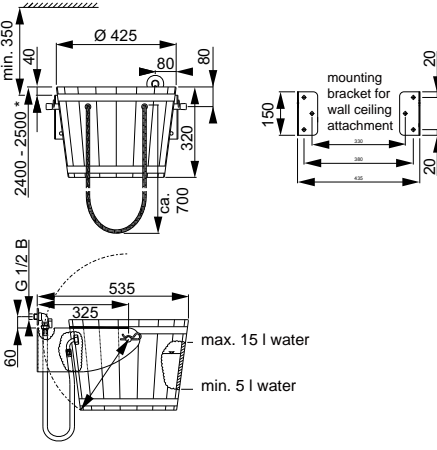
Shower arm with holder

			<p>Shower arm with holder, DN15</p> <p>For mounting shower heads on the wall.</p> <p>Consisting of:</p> <ul style="list-style-type: none"> • Solid version made of brass with rosette and bracket, chromed <p>Connection DN15: G 1/2 B Projection: 450 mm</p>
	Description	Nominal width	Material / Colour
Shower arm with holder	DN15	Chromed	CONO091450


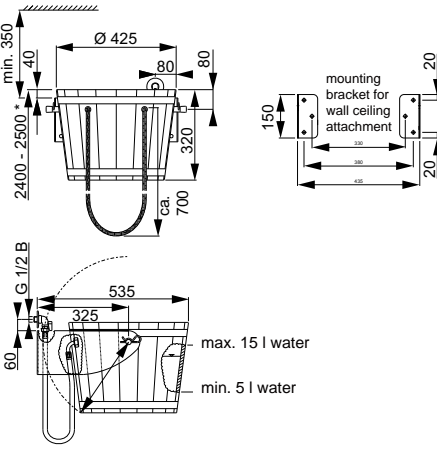
Ceiling shower arm

		<p>Shower arm, DN15</p> <p>For mounting shower heads on the ceiling.</p> <p>Consisting of:</p> <ul style="list-style-type: none"> • Solid version made of brass with rosette, chromed <p>Connection: G 1/2 B Length: 203 mm</p>	
Description	Length	Material / Colour	Article number
Shower arm, DN15	203 mm	Chromed	CONO092200

CONWELL bucket shower for indoor areas

		<p>CONWELL waterfall bucket shower for indoor areas, DN15</p> <p>Consisting of:</p> <ul style="list-style-type: none"> • Wood bucket made of Kambala wood, transparent coating internally and externally, strong white plastic pull cord • Suspension system made of stainless steel, 1.4301 • For wall or ceiling mounting • Connection set with angle valve set, flexible connection hose and automatic filler valve • Amount of water adjustable at the filling valve <p>Connection: G 1/2 Content min.: 5 l Content max.: 15 l Weight empty: 11 kg</p>	
Description	Mounting	Nominal width	Article number
CONWELL waterfall bucket shower	For indoor areas	DN15	CONH05000001000

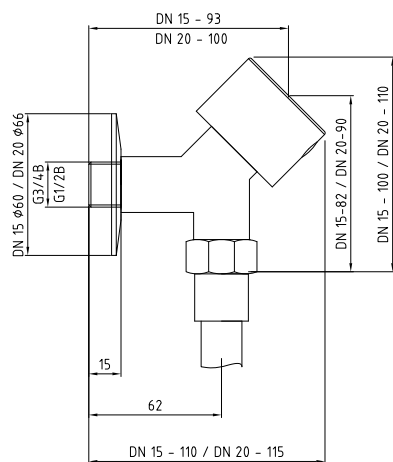
CONWELL waterfall bucket shower for outdoor areas

		<p>CONWELL waterfall bucket shower for outdoor areas, DN15</p> <p>Consisting of:</p> <ul style="list-style-type: none"> • Wood bucket made of Kambala wood, UV-resistant version, weather-resistant lacquer on the outside, blue hygienic seal on the inside, strong white plastic pull cord • Suspension system made of stainless steel, 1.4301 • For wall or ceiling mounting • Connection set with angle valve set, flexible connection hose and automatic filler valve • Amount of water adjustable at the filling valve <p>Connection: G 1/2 Content min.: 5 l Content max.: 15 l Weight empty: 11 kg</p>	
Description	Mounting	Nominal width	Article number
CONWELL waterfall bucket shower	For outdoor areas	DN15	CONH05000000000

CONWELL power shower set, with angle stop valve



DN 15 **DN 20**



CONWELL power shower set, with angle stop valve, DN15 / DN20

Hydrotherapy kit for power showers with angle stop valve, white hose, hose length 1500 mm, for wall mounting.

Consisting of:

- 1 Angle stop valve with ceramic head and design handle, entirely made of brass, chromed
- 1 Special hose for power showers, colour white, 1500 mm long, with power shower nozzle made of plastic, white
- 1 Connection fitting, chromed, with integrated check valve
- 1 Hose holder made of plastic, chromed

Connection DN15: G 1/2 B

Connection DN20: G 3/4 B

Operating pressure (max.): 6,0 bar

Flow rate 1 bar: 0,13 l/s

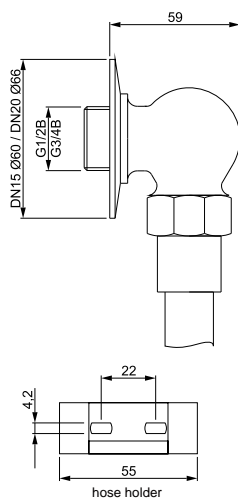
Flow rate 3 bar: 0,36 l/s

Description	Nominal width	Colour	Article number
CONWELL power shower set, with angle stop valve	DN15	White	CONH2113600000
	DN20	White	CONH2123600000

CONWELL power shower set, with ball connector



DN 15 **DN 20**



CONWELL power shower set, with ball connector, DN15 / DN20

Hydrotherapy kit for power shower with wall elbow (ball shape), white hose, hose length 1500 mm, for wall mounting.

Consisting of:

- 1 Wall elbow, casing and rosette made of brass, chromed
- 1 Special hose for power showers, colour white, 1500 mm long, with power shower nozzle made of plastic, white
- 1 Connection fitting, chromed, with integrated check valve
- 1 Hose holder made of plastic, chromed

Connection DN15: G 1/2 B

Connection DN20: G 3/4 B

Operating pressure (max.): 6,0 bar

Flow rate 1 bar: 0,13 l/s

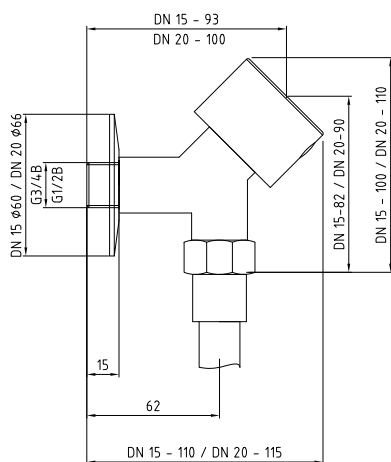
Flow rate 3 bar: 0,36 l/s

Description	Nominal width	Colour	Article number
CONWELL power shower set, with ball connector	DN15	White	CONH21137000000
	DN20	White	CONH21237000000

CONWELL shower set for Kneipp's affusions, with angle stop valve



DN 15 **DN 20**



CONWELL shower set for Kneipp's affusions, with angle stop valve, DN15 / DN20

Hydrotherapy kit for Kneipp affusions with angle stop valve, white hose, for wall mounting.

Consisting of:

- 1 Angle stop valve with ceramic head and design handle, entirely made of brass, chromed
- 1 Special hose for Kneipp affusions, colour white
- 1 Connection fitting, chromed, with integrated check valve
- 1 Hose holder made of plastic, chromed

Connection DN15: G 1/2 B

Connection DN20: G 3/4 B

Operating pressure (max.): 6,0 bar

Flow rate 1 bar: 0,13 l/s

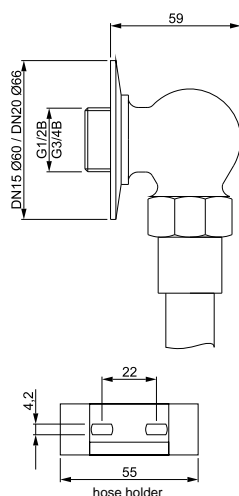
Flow rate 3 bar: 0,36 l/s

Description	Nominal width	Colour	Article number
CONWELL shower set for Kneipp affusions, with angle stop valve, 1500 mm	DN15	White	CONH22136000150
	DN20	White	CONH22236000150
CONWELL shower set for Kneipp affusions, with angle stop valve, 2400 mm	DN15	White	CONH22136000240
	DN20	White	CONH22236000240

CONWELL shower set for Kneipp's affusions, with ball connector



DN 15 **DN 20**



CONWELL shower set for Kneipp's affusions, with ball connector, DN15 / DN20

Hydrotherapy kit for Kneipp affusions with wall elbow (ball shape), white hose, for wall mounting.

Consisting of:

- 1 Wall elbow, casing and rosette made of brass, chromed
- 1 Special hose for Kneipp affusions, colour white
- 1 Connection fitting, chromed, with integrated check valve
- 1 Hose holder made of plastic, chromed

Connection DN15: G 1/2 B
 Connection DN20: G 3/4 B
 Operating pressure (max.): 6,0 bar
 Flow rate 1 bar: 0,13 l/s
 Flow rate 3 bar: 0,36 l/s

Description	Nominal width	Colour	Article number
CONWELL shower set for Kneipp affusions, with ball connector, 1500 mm	DN15	White	CONH22137000150
	DN20	White	CONH22237000150
CONWELL shower set for Kneipp affusions, with ball connector, 2400 mm	DN15	White	CONH22137000240
	DN20	White	CONH22237000240

A woman is shown from the chest up, smiling and enjoying a waterfall shower. The shower is a large wooden bucket with a thick rope handle, mounted on a wall made of irregular, light-colored stone tiles. Water is cascading down from the bucket. The background shows a glass and metal skylight structure.

CONTI+

Refreshing cooling,
robust, for indoor and outdoor areas
CONTI+ CONWELL waterfall bucket shower

THE SOLUTION

CONTI+ offers you the complete Spa & Wellness solutions for stimulating refreshment. Whether on cold days after a sauna session or on warm days for an invigorating cooling down. Relaxation with soothing rain showers with the CONTI+ CONWELL rain shower heads - from Kneipp's shower sets to the sweeping waterfall with the CONTI+ CONWELL bucket shower.



Thermostat batteries

Central solutions for shower faucets

CONTI+ thermostat batteries are the right choice if cold and hot water are to be mixed centrally. Especially in public, semi-public and commercial areas, where manipulation of the water temperatures are undesirable, thermostatic batteries spatially separated from the water flow trigger mechanism are being used.

Constant temperature and preset water temperatures can be safely supplied via CONTI+ thermostatic batteries for different water volumes, even with pressure fluctuations.

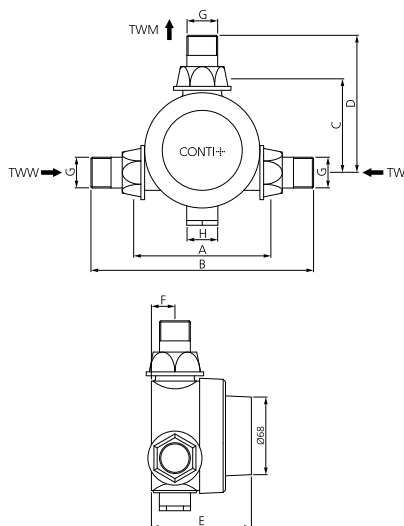
Thermostatic mixing valves are ideal for retrofitting manual thermal disinfection of lavatory faucets with minimal effort.



Thermostat batteries

Thermostat batteries exposed	206
Thermostatic mixing valve	208

CONTHERM thermostat battery AV



CONTHERM thermostat battery AV, exposed, DN15 – DN50

Thermostat battery with scalding protection, for providing hot water at a constant temperature, for wall mounting, with fittings.

Consisting of:

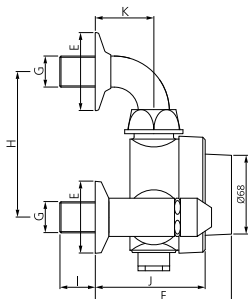
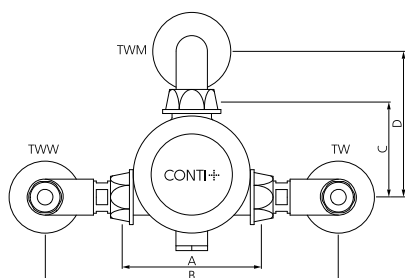
- 1 Thermostatic battery, red brass body, working part designed as a cartridge system on bi-metal basis with pressure compensation system for higher temperature stability, with temperature selector for fixed or limited settings and degree scale, 30-70 °C (blue handle), with backflow preventer and sieves, chrome plated
- 3 Fittings (AV), chrome plated

Connections:	DN15	DN20	DN25	DN32	DN40	DN50
	R 1/2	R 3/4	R 1	R 1 1/4	R 1 1/2	R 2
Flow rate:	0,46 l/s	1,33 l/s	2,00 l/s	2,91 l/s	4,33 l/s	6,67 l/s
Operating pressure max:	6,0 bar					
Pressure difference:	TWW to TW max. 1,5 bar					
Max. TWW:	85 °C					
Min. TWW:	TWW + 5 K					

DN	A	B	C	D	E	F	G	H
15	103	177	52	89	100	17,5	R 1/2	
20	117	197	82	122	93	18	R 3/4	G 3/4 B
25	133	223	94,5	139,5	101	23	R 1	G 3/4
32	176	306	111,5	176,5	116	24	R 1 1/4	G 3/8
40	217	241	134	196	127	32	R 1 1/2	G 3/8
50	255	399	150	223	141	36	R 2	G 3/8

Nominal width	Connection	Temperature setting range	Article number
DN15	R 1/2	15-50 °C	CONM92604000015
DN20	R 3/4	30-70 °C	CONM92604000020
DN25	R 1	30-70 °C	CONM92604000025
DN32	R 1 1/4	30-70 °C	CONM92604000032
DN40	R 1 1/2	30-70 °C	CONM92604000040
DN50	R 2	30-70 °C	CONM92604000050

CONTHERM thermostat battery WAV



CONTHERM thermostat battery WAV, exposed, DN15 – DN25

Thermostat battery, with scalding protection, for providing hot water with a constant temperature, for wall mounting, with angle fittings.

Consisting of:

- 1 Thermostat battery, red brass body, working part designed as a cartridge system on bi-metal basis with pressure compensation system for higher temperature stability, with temperature selector for fixed or limited settings and degree scale, 30-70 °C (blue handle), with backflow preventer and sieves, chrome plated
- 3 Angle fittings (WAV), inlets fitted with stop valves, chrome plated

Connections: DN15 DN20 DN25
 R 1/2 R 3/4 R 1
 Flow rate: 0,46 l/s 1,33 l/s 2,00 l/s
 Operating pressure max: 6,0 bar
 Pressure difference: TWW zu TW max. 1,5 bar
 Max. TWW: 85 °C
 Max. TWW: TWM + 5 K

DN	A	B	C	D	E	F	G	H	I	J	K
15	103	157 +/-20	52	96	Ø 70	115	G 1/2 B		25	65	45
20	117	270 +/-5	82	124	Ø 70	118	G 3/4 B	G 3/4 B	30	68	45
25	133	300 +/-5	94,5	159,5	Ø 70	128	G 1 B	G 3/4	30	78	50

Nominal width	Connection	Temperature setting range	Article number
DN15	R 1/2	15-50 °C	CONM92604001015
DN20	R 3/4	30-70 °C	CONM92604001020
DN25	R 1	30-70 °C	CONM92604001025

CONTHERM thermostatic mixing valve



CONTHERM thermostatic mixing valve, DN15, with connection set

- For mounting under the table
- For connection to hot and cold water
- Intrinsically safe
- Anti-scalding protection
- Safety stop and „Legionella handle“ for easy manual thermal disinfection
- Housing and temperature adjustment handle made of brass, chromed
- With integrated backflow preventer

Thermostatic mixing valve with connection set consisting of:

- 1 Thermostat battery
- 1 Connection set for mounting on existing angle valves

Thermostatic mixing valve without connection set consisting of:

- 1 Thermostat battery

Operating pressure: 5,0 bar

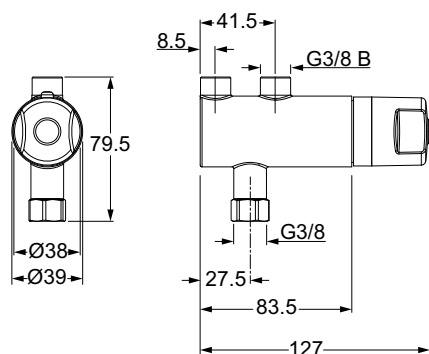
Flow rate: 12 l/min / 3,2 gpm (1 bar)

Water temperature (max.): 75 °C

Temperature range: 30-70 °C

Connection entry: G 3/8 B

Connection drain: G 3/8



Description	Version	Nominal width	Article number
CONTHERM thermostatic mixing valve	With connection set	DN15	CONM9164000000

CONTHERM thermostatic mixing valve



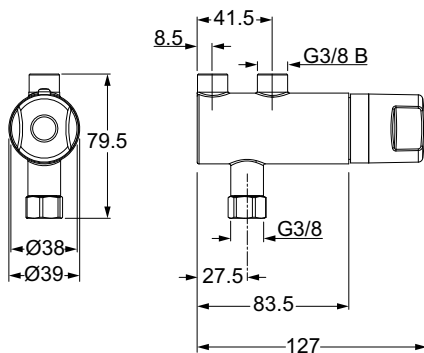
CONTHERM thermostatic mixing valve, DN15, without connection set

- For mounting under the table
- For connection to hot and cold water
- Intrinsically safe
- Anti-scalding protection
- Safety stop and „Legionella handle“ for easy manual thermal disinfection
- Housing and temperature adjustment handle made of brass, chromed
- With integrated backflow preventer

Consisting of:

- 1 Thermostat-battery

Operating pressure: 5,0 bar
 Flow rate: 0,2 l/s (1 bar)
 Water temperature (max.): 75 °C
 Temperature setting range: 30-70 °C
 Inlet connection: G 3/8 B
 Outlet connection: G 3/8



Thermostat batteries

Description	Version	Nominal width	Article number
CONTHERM thermostatic mixing valve	Without connection set	DN15	CONM91640001000





Washroom solutions



Electronic faucets

Electronic lavatory faucets - hygienic, economic and comfortable

With the sophisticated and proven sensor faucets for the washbasin, the water flow is triggered without contact by sophisticated infrared technology. Without touching the faucet, the infrared sensor reliably triggers the water jet and thus ensures convenient hygienic operation on the one hand and economic use of precious water on the other hand. Water only flows as long as effectively needed.

The high-quality CONTI+ faucets are also equipped with the hygienic flush function and can thus prevent the stagnation of water in the pipes and faucets. The hygienic flush can be timed depending on individual demands.



Electronic faucets

Functional options 214

Touchless lavatory faucets

ultra..... 216

lino 229

lumino 235

iQ 240

loopino 243

maxx..... 246

umaxx..... 248

ran..... 250

Senso..... 255

Self-closing lavatory faucets

tipolino 256

Concealed wall-mounted faucets

CONGENIAL FIT 258

ultra..... 276

lino 279

iQ 282

Exposed wall-mounted faucets

CONBASE 284

lino 288

Multiple washing systems

CONGENIAL..... 294

lino 299

Functional options for faucets

Overview lavatory and wall-mounted faucets (not all features combinable)

FUNCTIONAL CHARACTERISTICS								
Faucets	Water flow actuation				Resource-saving functions			
	Self-closing function, electronic		Self-closing function, mechanical	Mechanical	Adjustable water flow time	Optional valve units: reduced flow rate	Solar module	Turbine
	IR sensor	Piezo switch	Water-hydraulics	Single-lever				
LAVATORY FAUCETS								
ultra	•				•	•	•	•
lino	•				•		•	
lumino	•				•			
lumino+	•				•			
iQ	•				•			
loopino	•				•			
maxx	•				•			
umaxx	•				•			
ran	•				•			
Senso	•							
tipolino		•			•			
CONWASH			•		•			
CONMED				•				
CONCEALED WALL-MOUNTED FAUCETS								
CONGENIAL FIT	•	•			•			
ultra	•				•	•	•	
lino WV	•				•			
iQ	•				•			
EXPOSED WALL-MOUNTED FAUCETS								
lino K	•				•			
lino W	•				•			
CONGENIAL	•	•			•			
CONWASH			•		•			
CONMED				•				

Faucets electronic



• standard feature | •* feature possible | o¹⁾ if integrated into CNX | ▼²⁾ lino AS

ultra lavatory faucet GS20 PUBLIC



ultra lavatory faucet GS20 PUBLIC, with IR sensor, without temperature-mixing, (for cold or premixed water), chromed

Touchless, electronically controlled lavatory faucet:

- Modular single-piece design, without separate installation box, sturdy metal housing, chromed
- Dual infrared sensor with automatic setting feature, microprocessor
- Reliable solenoid valve ROBUST (minimal level of water pressure surge)
- Vandal-resistant aerator (replaceable with integrated tool)
- Cold water supply connection with flexible high-pressure hose
- Built-in filter
- TwistStop: integrated automatic shut-off for facilitate replacing or cleaning the filter (no shut-off to angle valves required)
- One Tool Service / all system parts accessible from above
- 12 or 24-hour hygienic flush activatable with Touch
- External battery box
- Compatible with CNX, Service APP and Service Monitor: control of stored operational data, settings and control functions

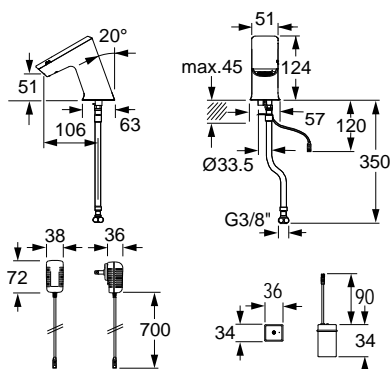
Battery: 4x1,5 V Alkaline AA batteries; life time up to 4 years
 Mains supply: Plug-in transformer 110-240 V 50/60 Hz / 6 V
 VARIOconnect: For single and multiple power supply and data connection (Connection CNX, Service APP and Service Monitor - see accessories)

Operating pressure: 0,3-10 bar
 Flow rate: Approx. 6 l/min (3 bar)
 Water temperature (max.): 80 °C
 Aerator: Aerator RC
 Flexible hose: 350 mm
 Angle valve connection: G 3/8
 Built-in filter: 0,5 mm mesh size
 Sensor sensitivity: Automatic self-adapting sensor technology
 Follow-up time: 1 s pre-set (adjustable with Touch 0-10 s)
 Continuous water flow and hygienic flush time: 2 min pre-set (adjustable with Touch 0,5-20 min)
 Temporary-off: 2 min (fixed)
 Engineering standards: DIN EN 200; CE

Optional: Valve unit with multi laminar spray head 2 l/min (see accessories)

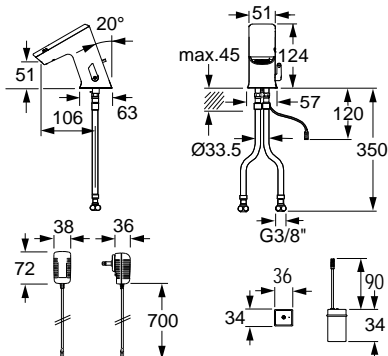
Note: When integrated into the CNX Water Management System, the CNX Converter 6 V must be ordered separately.

When using the Service APP, the BLE Converter must be ordered separately.



Power supply	Drain assembly	Colour	Article number
Battery	Without	Chromed	161.040.11
Mains operation	Without	Chromed	161.050.11
VARIOconnect	Without	Chromed	161.056.11

ultra lavatory faucet GS10 PUBLIC



ultra lavatory faucet GS10 PUBLIC, with IR sensor, with temperature-mixing, chromed

Touchless, electronically controlled lavatory faucet:

- Modular single-piece design, without separate installation box, sturdy metal housing, chromed
- Dual infrared sensors (with automatic setting feature), microprocessor
- Reliable solenoid valve ROBUST (minimal level of water pressure surge)
- Vandal-resistant aerator (replaceable with integrated tool)
- Hot and cold water supply connection with flexible high-pressure hoses
- Check valves and built-in filters
- Temperature adjustable or fixable (vandal-resistant construction)
- Adjustable hot water limitation (mechanically)
- TwistStop: integrated automatic shut-off for facilitate replacing or cleaning the filter (no shut-off to angle valves required)
- One Tool Service / all system parts accessible from above
- 12 or 24-hour hygienic flush activatable with Touch
- External battery box
- Compatible with CNX, Service APP and Service Monitor: control of stored operational data, settings and control functions

Battery: 4x1,5 V Alkaline AA batteries; life time up to 4 years
 Mains supply: Plug-in transformer 110-240 V 50/60 Hz / 6 V
 VARIOconnect: For single and multiple power supply and data connection (Connection CNX, Service APP and Service Monitor - see accessories)

Operating pressure: 0,3-10 bar
 Flow rate: Approx. 6 l/min (3 bar)
 Water temperature (max.): 80 °C
 Aerator: Aerator RC
 Flexible hoses: 350 mm
 Angle valve connection: G 3/8
 Built-in filters: 0,5 mm mesh size
 Sensor sensitivity: Automatic self-adapting sensor technology
 Follow-up time: 1 s pre-set (adjustable with Touch 0-10 s)
 Continuous water flow and hygienic flush time: 2 min pre-set (adjustable with Touch 0,5-20 min)
 Temporary-off: 2 min (fixed)
 Engineering standards: DIN EN 200; CE

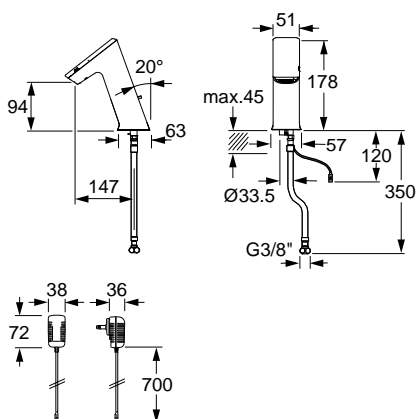
Optional: Valve unit with multi laminar spray head 2 l/min (see accessories)

Note: When integrated into the CNX Water Management System, the CNX Converter 6 V must be ordered separately.
 When using the Service APP, the BLE Converter must be ordered separately.

Power supply	Drain assembly	Colour	Article number
Battery	Without	Chromed	161.000.11
Mains operation	Without	Chromed	161.010.11
VARIOconnect	Without	Chromed	161.016.11

Faucets electronic

ultra lavatory faucet GM20 PUBLIC



ultra lavatory faucet GM20 PUBLIC, with IR sensor, without temperature-mixing (for cold or premixed water), chromed

Touchless, electronically controlled lavatory faucet:

- Modular single-piece design without separate installation box, sturdy metal housing, chromed
- Dual infrared sensors (with automatic setting feature), microprocessor
- Reliable solenoid valve ROBUST (minimal level of water pressure surge)
- Vandal-resistant aerator (replaceable with integrated tool)
- Cold water supply connection with flexible hose
- Built-in filter
- TwistStop: integrated automatic shut-off for facilitate replacing or cleaning the filter (no shut-off to angle valves required)
- One Tool Service / all system parts accessible from above
- Automatic energy saving function (solar)
- 12 or 24-hour hygienic flush activatable with Touch
- Integrated battery unit
- Compatible with CNX, Service APP and Service Monitor: control of stored operational data, settings and control functions

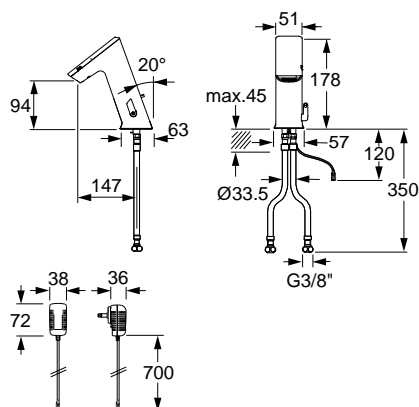
Battery: 4x1,5 V Alkaline AA batteries; life time up to 4 years
Solar: Photovoltaic cell in combination with 4x1,5 V Alkaline AA batteries (support batteries) commercial; life time up to 8 years
Turbine: Integrated turbine in combination with 4x1,5 V Alkaline AA batteries (support batteries) commercial; life-time up to 8 years
Mains supply: Plug-in transformer 110-240 V 50-60 Hz / 6 V
VARIOconnect: For single and multiple power supply and data connection (Connection CNX, Service APP and Service Monitor - see accessories)

Operating pressure: 0,3-10 bar
Flow rate: Approx. 6 l/min (3 bar)
Water temperature (max.): 80 °C
Aerator: Aerator RC
Flexible hose: 350 mm
Angle valve connection: G 3/8
Built-in filter: 0,5 mm mesh size
Sensor sensitivity: Automatic self-adapting sensor technology
Follow-up time: 1 s pre-set (adjustable with Touch 0-10 s)
Continuous water flow and hygienic flush time: 2 min pre-set (adjustable with Touch 0,5-20 min)
Temporary-off: 2 min (fixed)
Engineering standards: DIN EN 200; CE

Optional: Valve unit with multi laminar spray head 2 l/min (see accessories)
Note: When integrated into the CNX Water Management System, the CNX Converter 6 V must be ordered separately.
 When using the Service APP, the BLE Converter must be ordered separately.

Power supply	Drain assembly	Colour	Article number
Battery	Without	Chromed	162.040.11
Mains operation	Without	Chromed	162.050.11
VARIOconnect	Without	Chromed	162.056.11
Solar	Without	Chromed	162.048.11
Turbine	Without	Chromed	162.078.11

ultra lavatory faucet GM10 PUBLIC



ultra lavatory faucet GM10 PUBLIC, with IR sensor, with temperature-mixing, chromed

Touchless, electronically controlled lavatory faucet:

- Modular single-piece design without separate installation box, sturdy metal housing, chromed
- Dual infrared sensors (with automatic setting feature), microprocessor
- Reliable solenoid valve ROBUST (minimal level of water pressure surge)
- Vandal-resistant aerator (replaceable with integrated tool)
- Hot and cold water supply connection with flexible high-pressure hoses
- Check valves and built-in filters
- Temperature adjustable or fixable (vandal-resistant construction)
- Adjustable hot water limitation (mechanically)
- TwistStop: integrated automatic shut-off for facilitate replacing or cleaning the filter (no shut-off to angle valves required)
- One Tool Service / all system parts accessible from above
- Automatic energy saving function (solar)
- 12 or 24-hour hygienic flush activatable with Touch
- Integrated battery unit
- Compatible with CNX, Service APP and Service Monitor: control of stored operational data, settings and control functions

Battery: 4x1,5 V Alkaline AA batteries; life time up to 4 years
Solar: Photovoltaic cell in combination with 4x1,5 V Alkaline AA batteries (support batteries) commercial; life time up to 8 years
Turbine: Integrated turbine in combination with 4x1,5 V Alkaline AA batteries (support batteries) commercial; life-time up to 8 years
Mains supply: Plug-in transformer 110-240 V 50-60 Hz / 6 V
VARIOconnect: For single and multiple power supply and data connection (Connection CNX, Service APP and Service Monitor - see accessories)

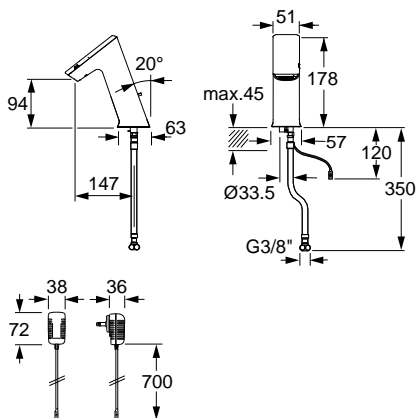
Operating pressure: 0,3-10 bar
Flow rate: Approx. 6 l/min (3 bar)
Water temperature (max.): 80 °C
Aerator: Aerator RC
Flexible hoses: 350 mm
Angle valve connection: G 3/8
Built-in filters: 0,5 mm mesh size
Sensor sensitivity: Automatic self-adapting sensor technology
Follow-up time: 1 s pre-set (adjustable with Touch 0-10 s)
Continuous water flow and hygienic flush time: 2 min pre-set (adjustable with Touch 0,5-20 min)
Temporary-off: 2 min (fixed)
Engineering standards: DIN EN 200; CE

Optional: Valve unit with multi laminar spray head 2 l/min (see accessories)

Note: When integrated into the CNX Water Management System, the CNX Converter 6 V must be ordered separately.
 When using the Service APP, the BLE Converter must be ordered separately.

Power supply	Drain assembly	Colour	Article number
Battery	Without	Chromed	162.000.11
	With	Chromed	162.001.11
Mains operation	Without	Chromed	162.010.11
	With	Chromed	162.011.11
VARIOconnect	Without	Chromed	162.016.11
	With	Chromed	162.017.11
Solar	Without	Chromed	162.008.11
	With	Chromed	162.009.11
Turbine	Without	Chromed	162.068.11
	With	Chromed	162.069.11

ultra lavatory faucet GM20 PUBLIC



ultra lavatory faucet GM20 PUBLIC, with IR sensor, without temperature-mixing (for cold or premixed water), PVD

Touchless, electronically controlled lavatory faucet:

- Modular single-piece design without separate installation box, sturdy metal housing, PVD
- Dual infrared sensors (with automatic setting feature), microprocessor
- Reliable solenoid valve ROBUST (minimal level of water pressure surge)
- Vandal-resistant aerator (replaceable with integrated tool)
- Cold water supply connection with flexible hose
- Built-in filter
- TwistStop: integrated automatic shut-off for facilitate replacing or cleaning the filter (no shut-off to angle valves required)
- One Tool Service / all system parts accessible from above
- Automatic energy saving function (solar)
- 12 or 24-hour hygienic flush activatable with Touch
- Integrated battery unit
- Compatible with CNX, Service APP and Service Monitor: control of stored operational data, settings and control functions

Battery: 4x1,5 V Alkaline AA batteries; life time up to 4 years
 Mains supply: Plug-in transformer 110-240 V 50-60 Hz / 6 V
 VARIOconnect: For single and multiple power supply and data connection (Connection CNX, Service APP and Service Monitor - see accessories)

Surface finish: 162.xxx.00 brushed nickel
 162.xxx.22 polished brass
 162.xxx.44 brushed chrome

Operating pressure: 0,3-10 bar
 Flow rate: Approx. 6 l/min (3 bar)
 Water temperature (max.): 80 °C
 Aerator: Aerator RC
 Flexible hose: 350 mm
 Angle valve connection: G 3/8
 Built-in filter: 0,5 mm mesh size
 Sensor sensitivity: Automatic self-adapting sensor technology
 Follow-up time: 1 s pre-set (adjustable with Touch 0-10 s)
 Continuous water flow and hygienic flush time: 2 min pre-set (adjustable with Touch 0,5-20 min)
 Temporary-off: 2 min (fixed)
 Engineering standards: DIN EN 200; CE

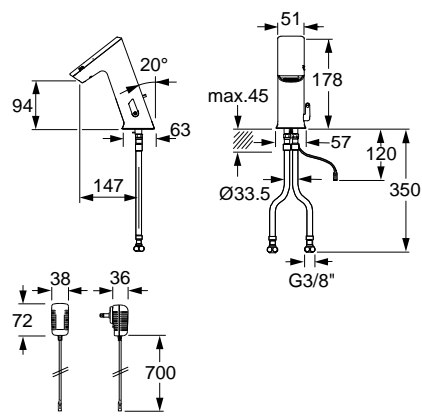
Optional: Valve unit with multi laminar spray head 2 l/min (see accessories)

Note: When integrated into the CNX Water Management System, the CNX Converter 6 V must be ordered separately.

When using the Service APP, the BLE Converter must be ordered separately.

Power supply	Drain assembly	Colour	Article number
Battery	Without	Brushed nickel	162.040.00
		Polished brass	162.040.22
		Brushed chrome	162.040.44
VARIOconnect	Without	Brushed nickel	162.056.00
		Polished brass	162.056.22
		Brushed chrome	162.056.44

ultra lavatory faucet GM10 PUBLIC



ultra lavatory faucet GM10 PUBLIC, with IR sensor, with temperature-mixing, PVD

- Touchless, electronically controlled lavatory faucet:
- Modular single-piece design without separate installation box, sturdy metal housing, PVD
 - Dual infrared sensors (with automatic setting feature), microprocessor
 - Reliable solenoid valve ROBUST (minimal level of water pressure surge)
 - Vandal-resistant aerator (replaceable with integrated tool)
 - Hot and cold water supply connection with flexible high-pressure hoses
 - Check valves and built-in filters
 - Temperature adjustable or fixable (vandal-resistant construction)
 - Adjustable hot water limitation (mechanically)
 - TwistStop: integrated automatic shut-off for facilitate replacing or cleaning the filter (no shut-off to angle valves required)
 - One Tool Service / all system parts accessible from above
 - Automatic energy saving function (solar)
 - 12 or 24-hour hygienic flush activatable with Touch
 - Integrated battery unit
 - Compatible with CNX, Service APP and Service Monitor: control of stored operational data, settings and control functions

Battery: 4x1,5 V Alkaline AA batteries; life time up to 4 years
 Mains supply: Plug-in transformer 110-240 V 50-60 Hz / 6 V
 VARIOconnect: For single and multiple power supply and data connection (Connection CNX, Service APP and Service Monitor - see accessories)

Surface finish: 162.xxx.00 brushed nickel
 162.xxx.22 polished brass
 162.xxx.44 brushed chrome

Operating pressure: 0,3-10 bar
 Flow rate: Approx. 6 l/min (3 bar)
 Water temperature (max.): 80 °C
 Aerator: Aerator RC
 Flexible hoses: 350 mm
 Angle valve connection: G 3/8
 Built-in filters: 0,5 mm mesh size
 Sensor sensitivity: Automatic self-adapting sensor technology
 Follow-up time: 1 s pre-set (adjustable with Touch 0-10 s)
 Continuous water flow and hygienic flush time: 2 min pre-set (adjustable with Touch 0,5-20 min)
 Temporary-off: 2 min (fixed)
 Engineering standards: DIN EN 200; CE

Optional: Valve unit with multi laminar spray head 2 l/min (see accessories)

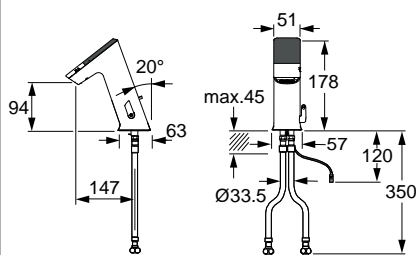
Note: When integrated into the CNX Water Management System, the CNX Converter 6 V must be ordered separately.

When using the Service APP, the BLE Converter must be ordered separately.

Power supply	Drain assembly	Colour	Article number
Battery	Without	Brushed nickel	162.000.00
		Polished brass	162.000.22
		Brushed chrome	162.000.44
VARIOconnect	Without	Brushed nickel	162.016.00
		Polished brass	162.016.22
		Brushed chrome	162.016.44

Faucets electronic

ultra lavatory faucet GM10 EXPERT



ultra lavatory faucet GM10 EXPERT, with IR sensor, with temperature-mixing, solar, chromed

Touchless, electronically controlled lavatory faucet:

- Continuous water flow via integrated piezo button
- Modular single-piece design without separate installation box, sturdy metal housing, chromed
- LCD display: shows the temperature and water flow time
- Dual infrared sensors (with automatic setting feature), microprocessor
- Reliable solenoid valve ROBUST (minimal level of water pressure surge)
- Vandal-resistant aerator (replaceable with integrated tool)
- Hot and cold water supply connection with flexible high-pressure hoses
- Check valves and built-in filters
- Temperature adjustable or fixable (vandal-resistant construction)
- Adjustable hot water limitation (mechanically)
- TwistStop: integrated automatic shut-off for facilitate replacing or cleaning the filter (no shut-off to angle valves required)
- One Tool Service / all system parts accessible from above
- 12 or 24-hour hygienic flush activatable with Touch
- Automatic energy saving function (solar) and safety shutdown
- Integrated battery unit
- Compatible with CNX, Service APP and Service Monitor: control of stored operational data, settings and control functions

Solar: Photovoltaic cell in combination with 4x1,5 V Alkaline AA batteries (support batteries) commercial; life time up to 8 years

Operating pressure: 0,3-10 bar
 Flow rate: Approx. 6 l/min (3 bar)
 Water temperature (max.): 80 °C
 Aerator: Aerator RC
 Flexible hoses: 350 mm
 Angle valve connection: G 3/8
 Built-in filters: 0,5 mm mesh size
 Sensor sensitivity: Automatic self-adapting sensor technology
 Follow-up time: 1 s pre-set (adjustable with Touch 0-10 s)
 Continuous water flow and hygienic flush time: 2 min pre-set (adjustable with Touch 0,5-20 min)
 Temporary-off: 2 min (fixed)
 Engineering standards: DIN EN 200; CE

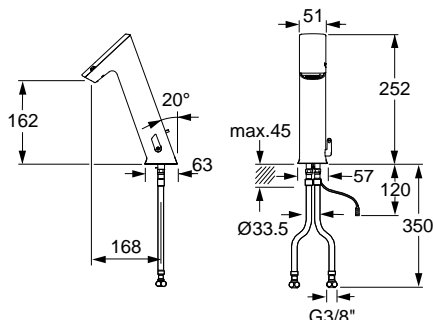
Optional: Valve unit with multi laminar spray head 2 l/min (see accessories)

Note: When integrated into the CNX Water Management System, the CNX Converter 6 V must be ordered separately.

When using the Service APP, the BLE Converter must be ordered separately.

Power supply	Drain assembly	Colour	Article number
Solar	Without	Chromed	162.108.11
	With	Chromed	162.109.11

ultra lavatory faucet GH10 PUBLIC



ultra lavatory faucet GH10 PUBLIC, with IR sensor, with temperature-mixing, chromed

Touchless, electronically controlled lavatory faucet:

- Modular single-piece design without separate installation box, sturdy metal housing, chromed
- Dual infrared sensors (with automatic setting feature), microprocessor
- Reliable solenoid valve ROBUST (minimal level of water pressure surge)
- Vandal-resistant aerator (replaceable with integrated tool)
- Hot and cold water supply connection with flexible high-pressure hoses
- Check valves and built-in filters
- Temperature adjustable or fixable (vandal-resistant construction)
- Adjustable hot water limitation (mechanically)
- TwistStop: integrated automatic shut-off for facilitate replacing or cleaning the filter (no shut-off to angle valves required)
- One Tool Service / all system parts accessible from above
- Automatic energy saving function (solar)
- 12 or 24-hour hygienic flush activatable with Touch
- Integrated battery unit
- Compatible with CNX, Service APP and Service Monitor: control of stored operational data, settings and control functions

Battery: 4x1,5 V Alkaline AA batteries; life time up to 4 years
Solar: Photovoltaic cell in combination with 4x1,5 V Alkaline AA batteries (support batteries) commercial; life time up to 8 years
Turbine: Integrated turbine in combination with 4x1,5 V Alkaline AA batteries (support batteries) commercial; life-time up to 8 years
Mains supply: Plug-in transformer 110-240 V 50-60 Hz / 6 V
VARIOconnect: For single and multiple power supply and data connection (Connection CNX, Service APP and Service Monitor - see accessories)

Operating pressure: 0,3-10 bar
Flow rate: Approx. 6 l/min (3 bar)
Water temperature (max.): 80 °C
Aerator: Aerator RC
Flexible hoses: 350 mm
Angle valve connection: G 3/8
Built-in filters: 0,5 mm mesh size
Sensor sensitivity: Automatic self-adapting sensor technology
Follow-up time: 1 s pre-set (adjustable with Touch 0-10 s)
Continuous water flow and hygienic flush time: 2 min pre-set (adjustable with Touch 0,5-20 min)
Temporary-off: 2 min (fixed)
Engineering standards: DIN EN 200; CE

Optional: Valve unit with multi laminar spray head 2 l/min (see accessories)

Note: When integrated into the CNX Water Management System, the CNX Converter 6 V must be ordered separately.
 When using the Service APP, the BLE Converter must be ordered separately.

Power supply	Drain assembly	Colour	Article number
Battery	Without	Chromed	163.000.11
Mains operation	Without	Chromed	163.010.11
VARIOconnect	Without	Chromed	163.016.11
Solar	Without	Chromed	163.008.11
Turbine	Without	Chromed	163.068.11


Faucets electronic


Accessories for ultra lavatory faucet


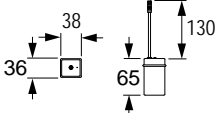
	<p>Valve unit with multi laminar spray head (2 l/min)</p> <p>Set consisting of:</p> <ul style="list-style-type: none"> • Valve unit (green) • Solenoid valve • Built-in filter • Multi laminar spray head with flow rate from 2 l/min • Changing tool for the multi laminar spray head <p>Attention! Not usable with turbine</p>	
Description	Type	Article number
Valve unit with multi laminar spray head (2 l/min)	Compatible with ultra GS	577.070.00
	Compatible with ultra GM	577.072.00
	Compatible with ultra GH	577.074.00

	<p>Valve unit with aerator (6 l/min)</p> <p>Set consisting of:</p> <ul style="list-style-type: none"> • Valve unit (blue) • Solenoid valve • Built-in filter • Aerator with flow from 6 l/min • Changing tool for the aerator <p>Attention! Not usable with turbine</p>	
Description	Type	Article number
Valve unit with aerator (6 l/min / 1.5 gpm)	Compatible with ultra GS	577.071.00
	Compatible with ultra GM	577.073.00
	Compatible with ultra GH	577.075.00


Accessories for ultra lavatory faucets


	<p>Multi laminar spray head (2 l/min)</p> <ul style="list-style-type: none"> • Multi laminar spray head with flow from 2 l/min • Changing tool for the multi laminar spray head 	
Description	Size	Article number
Multi laminar spray head (2 l/min)	Suitable for ultra GS, GM, GH, GW	391.044.00


	<p>Aerator (6 l/min)</p> <ul style="list-style-type: none"> • Aerator with flow from 6 l/min • Changing tool for the aerator 	
Description	Size	Article number
Aerator (6 l/min)	Suitable for ultra GS, GM, GH, GW	391.015.00
Laminar-Aerator (6 l/min)	Suitable for ultra GS, GM, GH, GW	391.045.00

		<p>Battery box for ultra GS</p> <p>External battery box for ultra GS (suitable only for ultra GS!)</p>
Description	Article number	
Battery box for ultra GS	Suitable only for ultra GS!	391.058.00

Accessories for ultra lavatory faucets

	<p>Electronic module ultra EXPERT</p> <ul style="list-style-type: none"> • LCD Display • Solar panel for extended battery life • Suitable for ultra GS/GM/GH • Integrated piezo for start/stop function 	
Description		Article number
Electronic module ultra EXPERT	Suitable for ultra GS, GM, GH	577.053.11

	<p>Electronic module ultra PUBLIC solar</p> <ul style="list-style-type: none"> • Solar panel for extended battery life • Suitable for ultra GS/GM/GH 	
Description		Article number
Electronic module ultra PUBLIC solar	Suitable for ultra GS, GM, GH	577.054.11

	<p>Electronic module ultra PUBLIC</p> <ul style="list-style-type: none"> • Robust and vandal-proof size • Suitable for ultra GS/GM/GH 	
Description		Article number
Electronic module ultra PUBLIC	Suitable for ultra GS, GM, GH	577.056.11



CONTI+

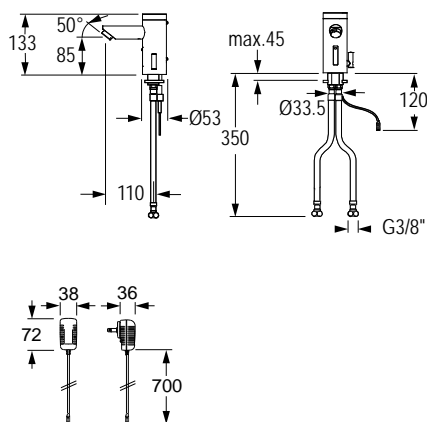
CONTI+ lino Family

Reliable & Innovative

Electronic faucets offer maximum operating convenience and a high level of safety and hygiene. Thanks to the non-contact operation the risk of germ transmission is considerably reduced.

The CONTI+ lino is a complete series with a uniform, attractive design and in various versions, colours and materials. The wide variety of products gives our customers a choice to enable them to design their projects in a solution-oriented manner.

lino AS lavatory faucet L13 with thermostatic anti-scalding



lino AS lavatory faucet L13 with thermostatic anti-scalding

Touchless, electronically controlled lavatory faucet, IR sensors, chromed

- With automatic setting feature
- Thermostatic temperature adjusting
- Thermostatic anti-scalding function following standard EN 1111
- Hot and cold water supply connection with flexible high-pressure hoses, check valves and built-in filters.
- **Note:** water supply hot/cold must be installed crosswise
- Reliable solenoid valve ROBUST
- Economic aerator CASCADE self-cleaning
- With function key Click for adjusting temporary-off (cleaning) and continuous water flow time (filling basin) sensor sensitivity, continuous water flow time and hygienic flush time, follow-up time, and 12-, 24- or 48-hour hygienic flush
- Compatible with CNX, Service APP and Service Monitor: control of stored operational data, settings and control functions

Technical data:

Battery: 6 V Lithium CRP2, life time up to 4 years
 Mains surface-mounted: plug-in power supply unit

Operating pressure: 0,3-10 bar
 Flow rate: approx. 6 l/min / 1,6 gpm (3 bar)
 Water temperature (max.): 80 °C
 Flexible hoses: 350 mm
 Angle valve connection: G 3/8
 Built-in filters: 0,5 mm mesh size
 Follow-up time: 1 s pre-set adjustable with function key 0-10 s
 Continuous water flow and hygienic flush time: 2 min pre-set adjustable with function key Click 0,5-20 min
 Temporary-off: 2 min fixed
 Standards: DIN EN 200; Noise class I, P-IX 9575 / IA, CE

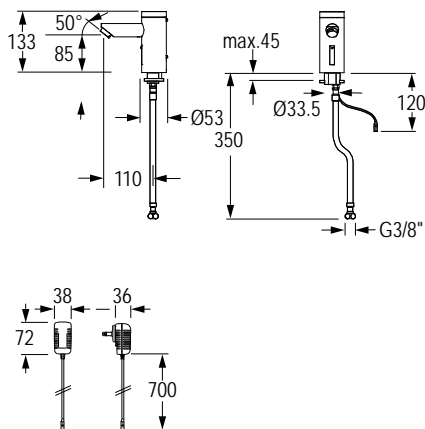
Note: When integrated into the CNX Water Management System, the CNX Converter 6 V must be ordered separately.

When using the Service APP, the BLE Converter must be ordered separately.

Versions		Function key Click	
Power supply	Drain assembly	Material/Colour	Article number
Battery	without	chromed	CONE8150208100
Mains supply	without	chromed	CONE8150208200

Faucets electronic

lino lavatory faucet L20



lino lavatory faucet L20, with IR sensor, without temperature-mixing (for cold or premixed water), chromed

Touchless, electronically controlled lavatory faucet:

- Modular single-piece design without separate installation box, sturdy brass housing, chromed
- Infrared sensors with automatic setting feature, microprocessor
- Reliable solenoid valve ROBUST (minimal level of water pressure surge) and economic aerator
- Cold water supply connection with flexible hose, built-in filter
- Temporary-off (cleaning) and continuous water flow time (filling of basin) activated by Click-plus
- Continuous water flow time and hygienic flush time adjustable with function key
- Follow-up time and sensor sensitivity adjustable with function key
- 12, 24 or 48-hour hygienic flush activatable with function key
- Installation similar to conventional single-lever faucet
- Compatible with CNX, Service APP and Service Monitor: control of stored operational data, settings and control functions

Click: Recessed function key - without additional functions
 Click-plus: Protruding function key Click-plus (continuous-on, temporary-off)
 Battery: 6 V Lithium CRP2 - commercial; life time up to 4 years
 Solar: Photovoltaic cells with 6 V Lithium CRP2 (support batteries) commercial - life-time up to 6 years
 Mains supply: Plug-in transformer 110-240 V 50/60 Hz / 6 V
 VARIOconnect: For single and multiple power supply and data connection (Connection CNX, Service APP and Service Monitor - see accessories)

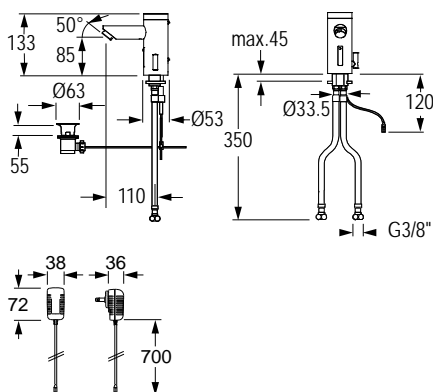
Operating pressure: 0,3-10 bar
 Flow rate: Approx. 6 l/min / 1,6 gpm (3 bar)
 Water temperature (max.): 80 °C
 Aerator: Economic aerator, CASCADE (self-cleaning)
 Flexible hose: 350 mm
 Angle valve connection: G 3/8
 Built-in filter: 0,5 mm mesh size
 Sensor sensitivity: Automatic self-adapting sensor technology
 Follow-up time: 1 s pre-set (adjustable with function key 0-10 s)
 Continuous water flow And hygienic flush time: 2 min pre-set (adjustable with function key 0,5-20 min)
 Temporary-off: 2 min (fixed)
 Engineering standards: DIN EN 200; Noise class I; P-IX 9575 / IA; CE

Optional: Extension kit for countertop basins (see accessories)

Note: When integrated into the CNX Water Management System, the CNX Converter 6 V must be ordered separately.
 When using the Service APP, the BLE Converter must be ordered separately.

Versions		Function key Click-plus	Function key Click
Power supply	Drain assembly	Article number	Article number
Battery	Without	120.140.11	120.040.11
Mains operation	Without	120.150.11	120.050.11
VARIOconnect	Without	120.156.11	120.056.11
Solar	Without	120.148.11	120.048.11

lino lavatory faucet L10



lino lavatory faucet L10, with IR sensor, with temperature-mixing, chromed

Touchless, electronically controlled lavatory faucet:


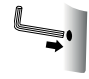


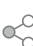

- Modular single-piece design, without separate installation box, sturdy brass housing, chromed
- Infrared sensors with automatic setting feature, microprocessor
- Reliable solenoid valve ROBUST (minimal level of water pressure surge) and economic aerator
- Hot and cold water supply connection with flexible high-pressure hoses
- Check valves and built-in filters
- Temperature adjustable or fixable (vandal-resistant construction)
- Adjustable hot water limitation (mechanically)
- Temporary-off (cleaning) and continuous water flow time (filling of basin) activated by Click-plus
- Continuous water flow time and hygienic flush time adjustable with function key
- Follow-up time and sensor sensitivity adjustable with function key
- 12, 24 or 48-hour hygienic flush activatable with function key
- Installation similar to conventional single-lever faucets
- Compatible with CNX, Service APP and Service Monitor: control of stored operational data, settings and control functions

Click: Recessed function key - without additional functions
 Click-plus: Protruding function key Click-plus (continuous-on, temporary-off)
 Battery: 6 V Lithium CRP2 - commercial; life time up to 4 years
 Solar: Photovoltaic cells with 6 V Lithium CRP2 (support batteries) commercial - life-time up to 6 years
 Mains supply: Plug-in transformer 110-240 V 50/60 Hz / 6 V
 VARIOconnect: For single and multiple power supply and data connection (Connection CNX, Service APP and Service Monitor - see accessories)

Operating pressure: 0,3-10 bar
 Flow rate: Approx. 6 l/min / 1,6 gpm (3 bar)
 Water temperature (max.): 80 °C
 Aerator: Economic aerator, CASCADE (self-cleaning)
 Flexible hoses: 350 mm
 Angle valve connection: G 3/8
 Built-in filters: 0,5 mm mesh size
 Sensor sensitivity: Automatic self-adapting sensor technology
 Follow-up time: 1 s pre-set (adjustable with function key 0-10 s)
 Continuous water flow and hygienic flush time: 2 min pre-set (adjustable with function key 0,5-20 min)
 Temporary-off: 2 min (fixed)
 Engineering standards: DIN EN 200; Noise class I; P-IX 9575 / IA; CE

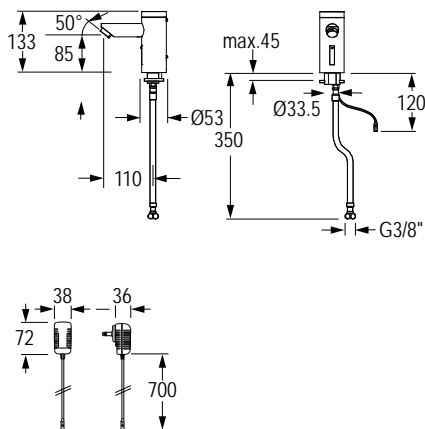
Optional: Extension kit for countertop basins (see accessories)

Note: When integrated into the CNX Water Management System, the CNX Converter 6 V must be ordered separately.
 When using the Service APP, the BLE Converter must be ordered separately.

Versions		 Function key Click-plus	 Function key Click
Power supply	Drain assembly	Article number	Article number
 Battery	Without	120.100.11	120.000.11
	With	120.101.11	120.001.11
 Mains operation	Without	120.110.11	120.010.11
	With	120.111.11	120.011.11
 VARIOconnect	Without	120.116.11	120.016.11
	With	120.117.11	120.017.11
 Solar	Without	120.108.11	120.008.11
	With	120.109.11	120.009.11

Faucets electronic

lino lavatory faucet L20



lino lavatory faucet L20, with IR sensor, without temperature-mixing (for cold or premixed water), PVD

Touchless, electronically controlled lavatory faucet:

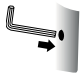
- Modular single-piece design without separate installation box, sturdy brass housing, PVD
- Infrared sensors with automatic setting feature, microprocessor
- Reliable solenoid valve ROBUST (minimal level of water pressure surge) and economic aerator
- Cold water supply connection with flexible hose, built-in filter
- Continuous water flow time and hygienic flush time adjustable with function key
- Follow-up time and sensor sensitivity adjustable with function key
- 12, 24 or 48-hour hygienic flush activatable with function key
- Installation similar to conventional single-lever faucet
- Compatible with CNX, Service APP and Service Monitor: control of stored operational data, settings and control functions

Click: Recessed function key - without additional functions
 Battery: 6 V Lithium CRP2 - commercial; life time up to 4 years
 Mains supply: Plug-in transformer 110-240 V 50/60 Hz / 6 V
 VARIOconnect: For single and multiple power supply and data connection (Connection CNX, Service APP and Service Monitor - see accessories)

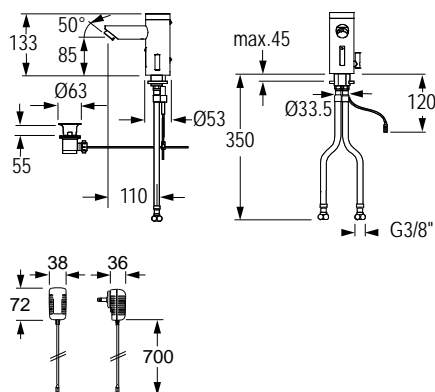
Surface finish: 120.xxx.00 brushed nickel
 120.xxx.22 polished brass
 120.xxx.44 brushed chrome

Operating pressure: 0,3-10 bar
 Flow rate: Approx. 6 l/min / 1,6 gpm (3 bar)
 Water temperature (max.): 80 °C
 Aerator: Economic aerator, CASCADE (self-cleaning)
 Flexible hose: 350 mm
 Angle valve connection: G 3/8
 Built-in filter: 0,5 mm mesh size
 Sensor sensitivity: Automatic self-adapting sensor technology
 Follow-up time: 1 s pre-set (adjustable with function key 0-10 s)
 Continuous water flow And hygienic flush time: 2 min pre-set (adjustable with function key 0,5-20 min)
 Temporary-off: 2 min (fixed)
 Engineering standards: DIN EN 200; Noise class I; P-IX 9575 / IA; CE

Note: When integrated into the CNX Water Management System, the CNX Converter 6 V must be ordered separately.
 When using the Service APP, the BLE Converter must be ordered separately.

Versions		Function key Click 	
Power supply	Drain assembly	Colour	Article number
Battery	Without	Brushed nickel	120.040.00
		Polished brass	120.040.22
		Brushed chrome	120.040.44
VARIOconnect	Without	Brushed nickel	120.056.00
		Polished brass	120.056.22
		Brushed chrome	120.056.44

lino lavatory faucet L10



lino lavatory faucet L10, with IR sensor, with temperature-mixing, PVD

Touchless, electronically controlled lavatory faucet:

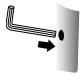









- Modular single-piece design, without separate installation box, sturdy brass housing, PVD
- Infrared sensors with automatic setting feature, microprocessor
- Reliable solenoid valve ROBUST (minimal level of water pressure surge) and economic aerator
- Hot and cold water supply connection with flexible high-pressure hoses
- Check valves and built-in filters
- Temperature adjustable or fixable (vandal-resistant construction)
- Adjustable hot water limitation (mechanically)
- Continuous water flow time and hygienic flush time adjustable with function key
- Follow-up time and sensor sensitivity adjustable with function key
- 12, 24 or 48-hour hygienic flush activatable with function key
- Installation similar to conventional single-lever faucets
- Compatible with CNX, Service APP and Service Monitor: control of stored operational data, settings and control functions

Click: Recessed function key - without additional functions
 Battery: 6 V Lithium CRP2 - commercial; life time up to 4 years
 Mains supply: Plug-in transformer 110-240 V 50/60 Hz / 6 V
 VARIOconnect: For single and multiple power supply and data connection (Connection CNX, Service APP and Service Monitor - see accessories)

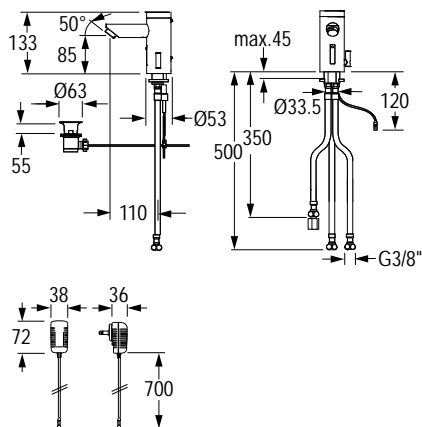
Surface finish: 120.xxx.00 brushed nickel
 120.xxx.22 polished brass
 120.xxx.44 brushed chrome

Operating pressure: 0,3-10 bar
 Flow rate: Approx. 6 l/min / 1,6 gpm (3 bar)
 Water temperature (max.): 80 °C
 Aerator: Economic aerator, CASCADE (self-cleaning)
 Flexible hoses: 350 mm
 Angle valve connection: G 3/8
 Built-in filters: 0,5 mm mesh size
 Sensor sensitivity: Automatic self-adapting sensor technology
 Follow-up time: 1 s pre-set (adjustable with function key 0-10 s)
 Continuous water flow and hygienic flush time: 2 min pre-set (adjustable with function key 0,5-20 min)
 Temporary-off: 2 min (fixed)
 Engineering standards: DIN EN 200; Noise class I; P-IX 9575 / IA; CE

Note: When integrated into the CNX Water Management System, the CNX Converter 6 V must be ordered separately.
 When using the Service APP, the BLE Converter must be ordered separately.

Versions		Function key Click 	
Power supply	Drain assembly	Colour	Article number
 Battery	Without	 Brushed nickel	120.000.00
		 Polished brass	120.000.22
		 Brushed chrome	120.000.44
 VARIOconnect 	Without	 Brushed nickel	120.016.00
		 Polished brass	120.016.22
		 Brushed chrome	120.016.44

lino lavatory faucet L30



lino lavatory faucet L30, with IR sensor, with temperature-mixing, pressureless (for open water heater), chromed

Touchless, electronically controlled lavatory faucet:

- Modular single-piece design without separate installation box, sturdy brass housing, chromed
- Infrared sensors with automatic setting feature, microprocessor
- Reliable solenoid valve ROBUST (minimal level of water pressure surge) and economic aerator
- Cold water supply connection for decentralized water treatment (boiler)
- With flexible high-pressure hoses, flow limiters and built-in filters
- Temperature adjustable or fixable (vandal-resistant construction)
- Adjustable hot water limitation (mechanically)
- Temporary-off (cleaning) and continuous water flow time (filling of basin) activated by Click-plus
- Continuous water flow time and hygienic flush time adjustable with function key
- Follow-up time and sensor sensitivity adjustable with function key
- 12, 24 or 48-hour hygienic flush activatable with function key
- Installation similar to conventional single-lever faucet
- Compatible with CNX, Service APP and Service Monitor: control of stored operational data, settings and control functions

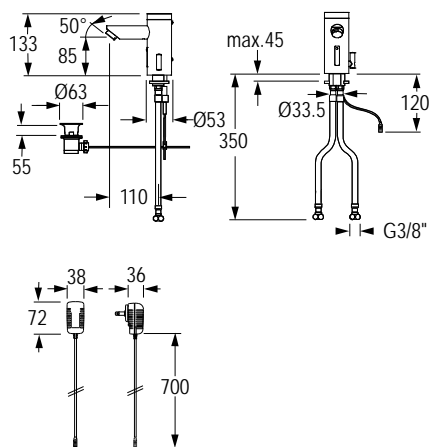
Click: Recessed function key - without additional functions
 Click-plus: Protruding function key Click-plus (continuous-on, temporary-off)
 Battery: 6 V Lithium CRP2 - commercial; life time up to 4 years
 Solar: Photovoltaic cells with 6 V Lithium CRP2 (support batteries) commercial life-time up to 6 years
 Mains supply: Plug-in transformer 110-240 V 50/60 Hz / 6 V
 VARIOconnect: For single and multiple power supply and data connection (Connection CNX, Service APP and Service Monitor - see accessories)

Operating pressure: 0,3-10 bar
 Flow rate: Approx. 5 l/min / 1,3 gpm (3 bar)
 Water temperature (max.): 80 °C
 Aerator: Flow Straightener, FS Dripless
 Flexible hoses: 2x500 mm / 1x350 mm
 Angle valve connection: G 3/8
 Built-in filters: 0,5 mm mesh size
 Sensor sensitivity: Automatic self-adapting sensor technology
 Follow-up time: 1 s pre-set (adjustable with function key 0-10 s)
 Continuous water flow and hygienic flush time: 2 min pre-set (adjustable with function key 0,5-20 min)
 Temporary-off: 2 min (fixed)
 Engineering standards: DIN EN 200; Noise class I; P-IX 9575 / IA; CE

Note: When integrated into the CNX Water Management System, the CNX Converter 6 V must be ordered separately.
 When using the Service APP, the BLE Converter must be ordered separately.

Versions		Function key Click-plus	Function key Click
Power supply	Drain assembly	Article number	Article number
Battery	Without	120.120.11	120.020.11
	With	120.121.11	120.021.11
Mains operation	Without	120.130.11	120.030.11
	With	120.131.11	120.031.11
VARIOconnect	Without	120.136.11	120.036.11
	With	120.137.11	120.037.11
Solar	Without	120.128.11	120.028.11
	With	120.129.11	120.029.11

lumino lavatory faucet L10i



lumino lavatory faucet L10i, with IR sensor, with temperature-mixing, with temperature indication via LED light ring, chromed

Touchless, electronically controlled lavatory faucet:

- Modular single-piece design without separate installation box, sturdy brass housing, chromed
- Infrared sensors with automatic setting feature, microprocessor
- Reliable solenoid valve ROBUST (minimal level of water pressure surge) and economic aerator
- Hot and cold water supply connection with flexible high-pressure hoses
- Check valves and built-in filters
- Temperature adjustable or fixable (vandal-resistant construction)
- Adjustable hot water limitation (mechanically)
- Temperature indication via LED light ring
- The colour gradient of the light ring is switchable (red-white-blue or red-violet-blue)
- Ambient illuminating (permanent white light during stand-by) activatable, adjustable luminosity
- calibration of the colour position is adjustable when scald protection is on
- Temporary-off (cleaning) and continuous water flow time (filling of basin) activated by Click-plus
- Continuous water flow time and hygienic flush time adjustable with function key
- Follow-up time and sensor sensitivity adjustable with function key
- 12, 24 or 48-hour hygienic flush activatable with function key
- Installation similar to conventional single-lever faucet
- Compatible with CNX, Service APP and Service Monitor: control of stored operational data, settings and control functions


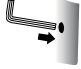

Click: Recessed function key - without additional functions
 Click-plus: Protruding function key Click-plus (continuous-on, temporary-off)
 Mains supply: Plug-in transformer 110-240 V 50/60 Hz / 6 V
 VARIOconnect: For single and multiple power supply and data connection (Connection CNX, Service APP and Service Monitor - see accessories)

Operating pressure: 0,3-10 bar
 Flow rate: Approx. 6,5 l/min / 1,7 gpm (3 bar)
 Water temperature (max.): 80 °C
 Aerator: Economic aerator, CASCADE (self-cleaning)
 Flexible hoses: 350 mm
 Angle valve connection: G 3/8
 Built-in filters: 0,5 mm mesh size
 Sensor sensitivity: Automatic self-adapting sensor technology
 Follow-up time: 1 s pre-set (adjustable with function key 0-10 s)
 Continuous water flow and hygienic flush time: 2 min pre-set (adjustable with function key 0,5-20 min)
 Temporary-off: 2 min (fixed)
 Engineering standards: DIN EN 200; Noise class I; P-IX 9575 / IA; **CE**

Optional: Extension kit for countertop basins (see accessories)

Note: When integrated into the CNX Water Management System, the CNX Converter 6 V must be ordered separately.

When using the Service APP, the BLE Converter must be ordered separately.

Versions		 Function key Click-plus	 Function key Click
Power supply	Drain assembly	Article number	Article number
 Mains operation	Without	121.110.11	121.010.11
	With	121.111.11	121.011.11

Faucets electronic

lumino+ lavatory faucet L10c



lumino+ lavatory faucet L10c, with IR sensor, with electronic instant water heater, with temperature indication via LED light ring, chromed

Touchless, electronically controlled lavatory faucet:

- Modular single-piece design without separate installation box, sturdy brass housing, chromed
- Infrared sensors with automatic setting feature, microprocessor
- Reliable solenoid valve ROBUST (minimal level of water pressure surge) and economic aerator
- Hot and cold water supply connection with flexible high-pressure hoses
- Check valves and built-in filters
- Temperature adjustable or fixable (vandal-resistant construction)
- Adjustable hot water limitation (mechanically)
- Temporary-off (cleaning) and continuous water flow time (filling of basin) activated by Click-plus
- Continuous water flow time and hygienic flush time adjustable with function key
- Follow-up time and sensor sensitivity adjustable with function key
- 12, 24 or 48-hour hygienic flush activatable with function key
- Installation similar to conventional single-lever faucet
- Compatible with Service APP and Service Monitor: control of stored operational data, settings and control functions


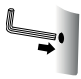


Small size electronic instant water heater:

- Compression proofed construction
- Water supply connection with flexible hose
- Effective bare wire heating system IES®
- Temperature control above lumino lavatory faucet
- Flow rate can be preset inside the unit (38°C pre-set)
- Power rating: MBX3i: 3,5kW (230 V/AC) or MBX7i: 6,5kW (400 V/AC)

Click: Recessed function key - without additional functions
 Click-plus: Protruding function key Click-plus (continuous-on, temporary-off)

Mains supply faucet: Plug-in transformer 110-240 V 50-60 Hz / 6 V
 Mains supply MBX3i: Safety plug 230 V/AC, 3x1,5 mm², 15 A, 3,5 kw 2 plug-ins required, optional accessory double socket
 Mains supply MBX7i: 2 Phases fixed connection 400 V/AC, 3x2,5 mm², 16 A, 6,5 kW

Note: When using the Service APP, the BLE Converter must be ordered separately.

Versions		 Function key Click-plus	 Function key Click
Power supply	Drain assembly	Article number	Article number
 Mains supply Clage MBX3i	Without	121.128.11	121.028.11
	With	121.129.11	121.029.11
 Mains supply Clage MBX7i	Without	121.138.11	121.038.11
	With	121.139.11	121.039.11

lumino+ lavatory faucet L10c, with IR sensor, with electronic instant water heater

	<p>Technical data of lumino lavatory faucet:</p> <p>Operating pressure: 0,3-10 bar</p> <p>Flow rate: MBX3i approx. 2 l/min / 0,5 gpm MBX7i approx. 3,7 l/min / 1 gpm</p> <p>Max. water temperature.: 70 °C</p> <p>Aerator: MBX3i spray-head-aerator MBX7i economic aerator</p> <p>Flexible hoses: 350 mm</p> <p>Angle valve connection: G 3/8</p> <p>Filters: 0,5 mm mesh size</p> <p>Sensor sensitivity: automatic self-adapting sensor technology</p> <p>Follow-up time: 1 s pre-set (adjustable with 0-10 s)</p> <p>Continuous water flow and hygienic flush time: 2 min pre-set (adjustable with 0,5-20 min)</p> <p>Temporary-off: 2 min (fixed);</p> <p>Engineering standards: DIN EN 200; Noise class I; P-IX 9575 / IA; CE</p>								
<p>Installation example MBX3i</p>	<p>Technical data of electronic instant water heater MBX3i:</p> <p>Operating pressure: 1-5 bar</p> <p>Rated voltage: 230 VAC</p> <p>Power rating: 3.5 kW</p> <p>Rated current: 15 A</p> <p>Cable size: 1.5 mm²</p> <p>Connecting hoses: 1x500 mm</p> <p>Hose connections: G 3/8</p> <p>Inlet temperature: max. 60 °C</p> <p>Protection type/class to VDE: IP24</p> <p>Engineering standards: CE</p> <p>Max. temperature increase at power rating and flow rate:</p> <table border="1"> <tr> <td>2,0 l/min / 0,5 gpm</td> <td>25 K</td> </tr> <tr> <td>2,5 l/min / 0,7 gpm</td> <td>20 K</td> </tr> <tr> <td>3,0 l/min / 0,8 gpm</td> <td>17 K</td> </tr> <tr> <td>3,5 l/min / 0,9 gpm</td> <td>14 K</td> </tr> </table> <p>Temperature increase (Kelvin) + incoming cold water temperature (°C) = max. hot water temperature</p>	2,0 l/min / 0,5 gpm	25 K	2,5 l/min / 0,7 gpm	20 K	3,0 l/min / 0,8 gpm	17 K	3,5 l/min / 0,9 gpm	14 K
2,0 l/min / 0,5 gpm	25 K								
2,5 l/min / 0,7 gpm	20 K								
3,0 l/min / 0,8 gpm	17 K								
3,5 l/min / 0,9 gpm	14 K								
<p>Installation example MBX7i</p>	<p>Technical data of electronic instant water heater MBX7i:</p> <p>Operating pressure: 1-5 bar</p> <p>Rated voltage: 400 VAC</p> <p>Power rating: 6.5 kW</p> <p>Rated current: 15 A</p> <p>Cable size: 2.5 mm²</p> <p>Connecting hoses: 1x500 mm</p> <p>Hose connections: G 3/8</p> <p>Inlet temperature: max. 60 °C</p> <p>Protection type/class to VDE: IP24</p> <p>Engineering standards: CE</p> <p>Max. temperature increase at power rating and flow rate:</p> <table border="1"> <tr> <td>2,0 l/min / 0,5 gpm</td> <td>46 K</td> </tr> <tr> <td>2,5 l/min / 0,7 gpm</td> <td>37 K</td> </tr> <tr> <td>3,0 l/min / 0,8 gpm</td> <td>31 K</td> </tr> <tr> <td>3,5 l/min / 0,9 gpm</td> <td>26 K</td> </tr> </table> <p>Temperature increase (Kelvin) + incoming cold water temperature (°C) = max. hot water temperature</p>	2,0 l/min / 0,5 gpm	46 K	2,5 l/min / 0,7 gpm	37 K	3,0 l/min / 0,8 gpm	31 K	3,5 l/min / 0,9 gpm	26 K
2,0 l/min / 0,5 gpm	46 K								
2,5 l/min / 0,7 gpm	37 K								
3,0 l/min / 0,8 gpm	31 K								
3,5 l/min / 0,9 gpm	26 K								

Faucets electronic

CONTI+

Clear line, round design, LED light ring, IR sensor, sturdy brass body, chromed, CONTI+ lumino L10c lavatory faucet


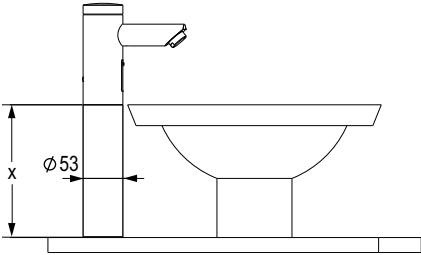
Comfortable hand washing with CONTI+ lumino L10c lavatory faucet with electronic instant water heater. Only cold water connection required.

THE SOLUTION

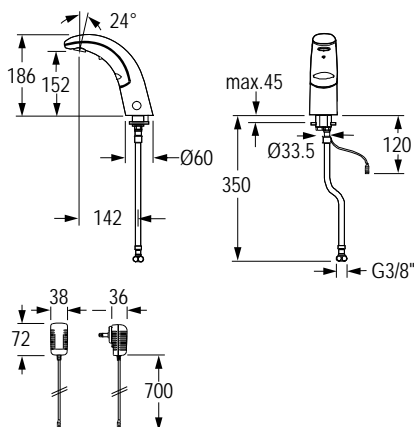
With lumino L10c including the electronic instant water heater from the CONTI+ portfolio you only heat the water where it is needed. Ideal for refurbishment or conversion, comfortable hand washing with energy savings through the combination of lumino L10c and electronic instant water heater without transverse flow.



Accessories lino lavatory faucets

		<p>Faucet extension for lino lavatory faucets</p> <p>Extension suitable for L10, L20, L10i</p> <ul style="list-style-type: none"> • One-piece design without concealed parts • Sturdy brass, chromed <p>Set consisting of:</p> <ul style="list-style-type: none"> • Extension • Threaded rod • Connection hoses and filters <p>Only for faucets without drain assembly!</p>	
Description	Length (x)	Colour	Article number
Faucet extension lino	177 mm	Chromed	550.034.11
Faucet extension lino	56 mm	Chromed	550.034.12

iQ lavatory faucet A20



iQ lavatory faucet A20, with IR sensor, without temperature-mixing (for cold or premixed water), chromed


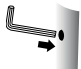


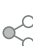
Touchless, electronically controlled lavatory faucet:

- Modular single-piece design without separate installation box, sturdy metal housing, chromed
- Dual infrared sensors (with automatic setting feature), microprocessor
- Reliable solenoid valve ROBUST (minimal level of water pressure surge) and economic aerator
- Cold water supply connection with flexible hose and built-in filter
- Temporary-off (cleaning) and continuous water flow time (filling of basin) activated by Click-plus
- Continuous water flow time and hygienic flush time adjustable with function key
- Follow-up time and sensor sensitivity adjustable with function key
- 12, 24 or 48-hour hygienic flush activatable with function key
- Installation similar to conventional single-lever faucet
- Compatible with CNX, Service APP and Service Monitor: control of stored operational data, settings and control functions

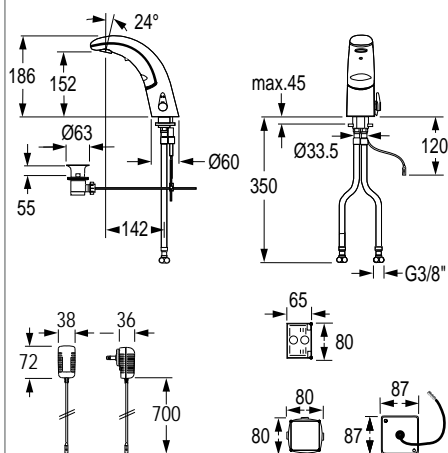
Click: Recessed function key - without additional functions
 Click-plus: Protruding function key Click-plus (continuous-on, temporary-off)
 Battery: 6 V Lithium 2 CR5 - commercial; life time up to 4 years
 Mains supply: Plug-in transformer 110-240 V 50-60 Hz / 6 V
 VARIOconnect: For single and multiple power supply and data connection (Connection CNX, Service APP and Service Monitor - see accessories)

Operating pressure: 0,3-10 bar
 Flow rate: Approx. 6 l/min / 1,6 gpm (3 bar)
 Water temperature (max.): 80 °C
 Aerator: Economic aerator, CASCADE (self-cleaning)
 Flexible hose: 350 mm
 Angle valve connection: G 3/8
 Built-in filter: 0,5 mm mesh size
 Sensor sensitivity: Automatic self-adapting sensor technology
 Follow-up time: 1 s pre-set (adjustable with function key 0-10 s)
 Continuous water flow and hygienic flush time: 2 min pre-set (adjustable with function key 0,5-20 min)
 Temporary-off: 2 min (fixed)
 Engineering standards: DIN EN 200; Noise class I; P-IX 9576 / IA; CE

Note: When integrated into the CNX Water Management System, the CNX Converter 6 V must be ordered separately.
 When using the Service APP, the BLE Converter must be ordered separately.

Versions		 Function key Click-plus	 Function key Click
Power supply	Drain assembly	Article number	Article number
 Battery	Without	100.140.11	100.040.11
 Mains operation	Without	100.150.11	100.050.11
 VARIOconnect	Without	100.156.11	100.056.11

iQ lavatory faucet A10



iQ lavatory faucet A10, with IR sensor, with temperature-mixing, chromed


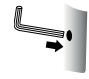


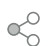

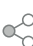
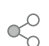




Touchless, electronically controlled lavatory faucet:

- Modular single-piece design without separate installation box, sturdy metal housing, chromed
- Dual infrared sensors (with automatic setting feature), microprocessor
- Reliable solenoid valve ROBUST (minimal level of water pressure surge) and economic aerator
- Hot and cold water supply connection with flexible high-pressure hoses
- Check valves and built-in filters
- Temperature adjustable or fixable (vandal-resistant construction)
- Adjustable hot water limitation (mechanically)
- Temporary-off (cleaning) and continuous water flow time (filling of basin) activated by Click-plus
- Continuous water flow time and hygienic flush time adjustable with function key
- Follow-up time and sensor sensitivity adjustable with function key
- 12, 24 or 48-hour hygienic flush activatable with function key
- Installation similar to conventional single-lever faucet
- Compatible with CNX, Service APP and Service Monitor: control of stored operational data, settings and control functions

Click: Recessed function key - without additional functions
 Click-plus: Protruding function key Click-plus (continuous-on, temporary-off)
 Battery: 6 V Lithium 2 CR5 - commercial; life time up to 4 years
 Mains supply: Plug-in transformer 110-240 V 50-60 Hz / 6 V
 Concealed mains supply: flush-mounted power supply 110-240 V 50-60 Hz / 6 V including box and cover
 VARIOconnect: For single and multiple power supply and data connection (Connection CNX, Service APP and Service Monitor - see accessories)

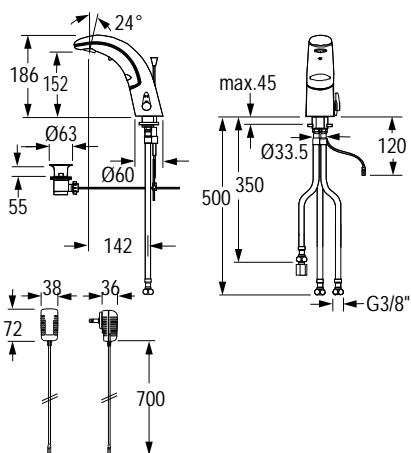
Operating pressure: 0,3-10 bar
 Flow rate: Approx. 6 l/min / 1,6 gpm (3 bar)
 Water temperature (max.): 80 °C
 Aerator: Economic aerator, CASCADE (self-cleaning)
 Flexible hoses: 350 mm
 Angle valve connection: G 3/8
 Built-in filters: 0,5 mm mesh size
 Sensor sensitivity: Automatic self-adapting sensor technology
 Follow-up time: 1 s pre-set (adjustable with function key 0-10 s)
 Continuous water flow and hygienic flush time: 2 min pre-set (adjustable with function key 0,5-20 min)
 Temporary-off: 2 min (fixed)
 Engineering standards: DIN EN 200; Noise class I; P-IX 9576 / IA;CE

Note: When integrated into the CNX Water Management System, the CNX Converter 6 V must be ordered separately.
 When using the Service APP, the BLE Converter must be ordered separately.

Versions			Function key Click-plus		Function key Click
Power supply	Drain assembly		Article number		Article number
 Battery	Without		100.100.11		100.000.11
	With		100.101.11		100.001.11
 Mains operation	Without		100.110.11		100.010.11
	With		100.111.11		100.011.11
 VARIOconnect	Without		100.116.11		100.016.11
	With		100.117.11		100.017.11
 Concealed mains power supply	Without		100.160.11		100.060.11
	With		100.161.11		100.061.11

Faucets electronic

iQ lavatory faucet A30



iQ lavatory faucet A30, with IR sensor, pressureless (for open water heater), with temperature-mixing, chromed


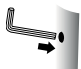


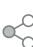
Touchless, electronically controlled lavatory faucet:

- Modular single-piece design without separate installation box, sturdy metal housing, chromed
- Dual infrared sensors (with automatic setting feature), microprocessor
- Reliable solenoid valve ROBUST (minimal level of water pressure surge) and economic aerator, cascade
- Cold water supply connection and decentralized water treatment (boiler)
- With flexible high-pressure hoses, flow limiters and built-in filters
- Temperature adjustable or fixable (vandal-resistant construction)
- Temporary-off (cleaning) and continuous water flow time (filling of basin) activated by Click-plus
- Continuous water flow time and hygienic flush time adjustable with function key
- Follow-up time and sensor sensitivity adjustable with function key
- 12, 24 or 48-hour hygienic flush activatable with function key
- Installation similar to conventional single-lever faucet
- Compatible with CNX, Service APP and Service Monitor: control of stored operational data, settings and control functions

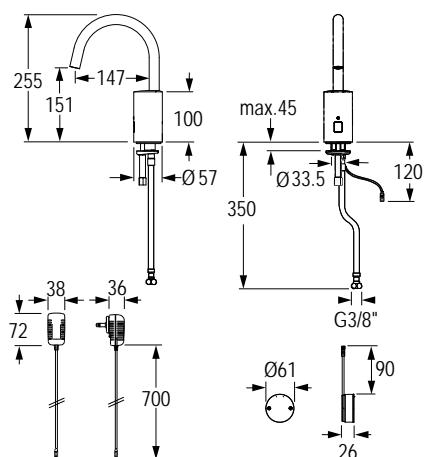
Click: Recessed function key - without additional functions
 Click-plus: Protruding function key Click-plus (continuous-on, temporary-off)
 Battery: 6 V Lithium 2 CR5 - commercial; life time up to 4 years
 Mains supply: Plug-in transformer 110-240 V 50-60 Hz / 6 V
 VARIOconnect: For single and multiple power supply and data connection (Connection CNX, Service APP and Service Monitor - see accessories)

Operating pressure: 0,3-10 bar
 Flow rate: Approx. 5 l/min / 1,3 gpm (3 bar)
 Water temperature (max.): 80 °C
 Aerator: Flow Straightener, FS Dripless
 Flexible hoses: 2x500 mm / 1x350 mm
 Angle valve connection: G 3/8
 Built-in filter: 0,5 mm mesh size
 Sensor sensitivity: Automatic self-adapting sensor technology
 Follow-up time: 1 s pre-set (adjustable with function key 0-10 s)
 Continuous water flow and hygienic flush time: 2 min pre-set (adjustable with function key 0,5-20 min)
 Temporary-off: 2 min (fixed)
 Engineering standards: DIN EN 200; Noise class I; P-IX 9576 / IA; CE

Note: When integrated into the CNX Water Management System, the CNX Converter 6 V must be ordered separately.
 When using the Service APP, the BLE Converter must be ordered separately.

Versions		 Function key Click-plus	 Function key Click
Power supply	Drain assembly	Article number	Article number
 Battery	Without	100.120.11	100.020.11
	With	100.121.11	100.021.11
 Mains operation	Without	100.130.11	100.030.11
	With	100.131.11	100.031.11
 VARIOconnect	Without	100.136.11	100.036.11
	With	100.137.11	100.037.11

loopino lavatory faucet G20



loopino lavatory faucet G10, with IR sensor, without temperature-mixing (for cold or premixed water), chromed

Touchless, electronically controlled lavatory faucet:

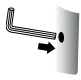




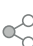
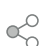
- Modular single-piece design without separate installation box, sturdy brass housing, chromed
- Dual infrared sensors (with automatic setting feature), microprocessor
- Reliable solenoid valve ROBUST (minimal level of water pressure surge) and economic aerator
- Cold water supply connection with flexible hose, built-in filter
- Theft-proof battery box below the washbasin
- Temporary-off (cleaning) and continuous water flow time (filling of basin) activated by Click-plus
- Continuous water flow time and hygienic flush time adjustable with function key
- Follow-up time and sensor sensitivity adjustable with function key
- 12, 24 or 48-hour hygienic flush activatable with function key
- Installation similar to conventional single-lever faucet
- Compatible with CNX, Service APP and Service Monitor: control of stored operational data, settings and control functions

Click: Recessed function key - without additional functions
 Battery: 6 V Lithium CRP2 - commercial; life time up to 4 years
 Mains supply: Plug-in transformer 110-240 V 50-60 Hz / 6 V
 VARIOconnect: For single and multiple power supply and data connection (Connection CNX, Service APP and Service Monitor - see accessories)

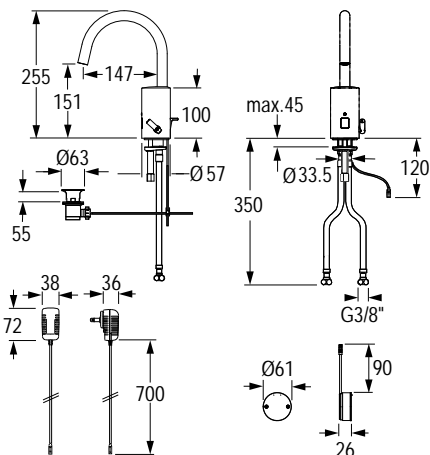
Operating pressure: 0,3-10 bar
 Flow rate: Approx. 6 l/min / 1,6 gpm (3 bar)
 Water temperature (max.): 80 °C
 Aerator: Aerator CACHÉ
 Flexible hose: 350 mm
 Angle valve connection: G 3/8
 Built-in filter: 0,5 mm mesh size
 Sensor sensitivity: Automatic self-adapting sensor technology
 Follow-up time: 1 s pre-set (adjustable with function key 0-10 s)
 Continuous water flow and hygienic flush time: 2 min pre-set (adjustable with function key 0,5-20 min)
 Temporary-off: 2 min (fixed)
 Engineering standards: DIN EN 200; CE

Note: When integrated into the CNX Water Management System, the CNX Converter 6 V must be ordered separately.
 When using the Service APP, the BLE Converter must be ordered separately.

Faucets electronic

Versions		Function key Click 	
Power supply	Drain assembly	Colour	Article number
 Battery 	Without	Chromed	150.040.11
 Mains supply 	Without	Chromed	150.050.11
 VARIOconnect 	Without	Chromed	150.056.11

loopino lavatory faucet G10



loopino lavatory faucet G10, with IR sensor, with temperature-mixing, chromed


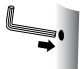


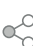
Touchless, electronically controlled lavatory faucet:

- Modular single-piece design without separate installation box, sturdy brass housing, chromed
- Dual infrared sensors (with automatic setting feature), microprocessor
- Reliable solenoid valve ROBUST (minimal level of water pressure surge) and economic aerator
- Hot and cold water supply connection with flexible hoses
- Check valves and built-in filters
- Theft-proof battery box below the washbasin
- Temperature adjustable or fixable (vandal-resistant construction)
- Adjustable hot water limitation (mechanically)
- Temporary-off (cleaning) and continuous water flow time (filling of basin) activated by Click-plus
- Continuous water flow time and hygienic flush time adjustable with function key
- Follow-up time and sensor sensitivity adjustable with function key
- 12, 24 or 48-hour hygienic flush activatable with function key
- Installation similar to conventional single-lever faucet
- Compatible with CNX, Service APP and Service Monitor: control of stored operational data, settings and control functions

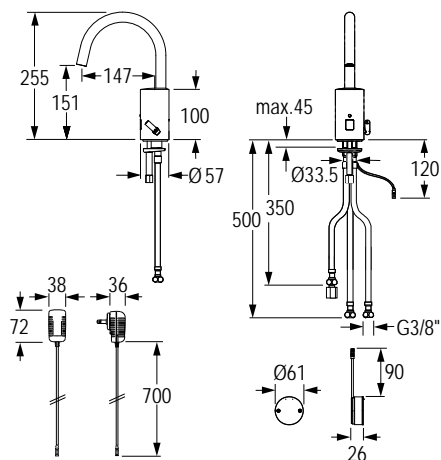
Click:	Recessed function key - without additional functions
Click-plus:	Protruding function key Click-plus (continuous-on, Temporary-off)
Battery:	6 V Lithium CRP2 - commercial; life time up to 4 years
Mains supply:	Plug-in transformer 110-240 V 50-60 Hz / 6 V
VARIOconnect:	For single and multiple power supply and data connection (Connection CNX, Service APP and Service Monitor - see accessories)

Operating pressure:	0,3-10 bar
Flow rate:	Approx. 6 l/min / 1,6 gpm (3 bar)
Water temperature (max.):	80 °C
Aerator:	Aerator CACHÉ
Flexible hoses:	350 mm
Angle valve connection:	G 3/8
Built-in filters:	0,5 mm mesh size
Sensor sensitivity:	Automatic self-adapting sensor technology
Follow-up time:	1 s pre-set (adjustable with function key 0-5 s)
Continuous water flow and hygienic flush time:	2 min pre-set (adjustable with function key 0,5-20 min)
Temporary-off:	2 min (fixed)
Engineering standards:	DIN EN 200; CE

Note: When integrated into the CNX Water Management System, the CNX Converter 6 V must be ordered separately.
When using the Service APP, the BLE Converter must be ordered separately.

Versions		 Function key Click-plus	 Function key Click
Power supply	Drain assembly	Article number	Article number
 Battery	Without		150.000.11
	With	150.101.11	
 Mains operation	Without		150.010.11
	With	150.111.11	
 VARIOconnect	Without		150.016.11

loopino lavatory faucet G30



loopino lavatory faucet G30, with IR sensor, with temperature-mixing, pressureless (for open water heater), chromed

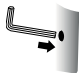

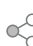

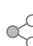
Touchless, electronically controlled lavatory faucet:

- Modular single-piece design without separate installation box, sturdy brass housing, chromed
- Dual infrared sensors (with automatic setting feature), microprocessor
- Reliable solenoid valve ROBUST (minimal level of water pressure surge) and economic aerator
- Cold water supply connection for decentralized water treatment (boiler)
- With flexible high-pressure hoses, flow limiters and built-in filters
- Temperature adjustable or fixable (vandal-resistant construction)
- Adjustable hot water limitation (mechanically)
- Theft-proof battery box below the washbasin
- Temporary-off (cleaning) and continuous water flow time (filling of basin) activated by Click-plus
- Continuous water flow time and hygienic flush time adjustable with function key
- Follow-up time and sensor sensitivity adjustable with function key
- 12, 24 or 48-hour hygienic flush activatable with function key
- Installation similar to conventional single-lever faucet
- Compatible with CNX, Service APP and Service Monitor: control of stored operational data, settings and control functions

Click: Recessed function key - without additional functions
 Battery: 6 V Lithium CRP2 - commercial; life time up to 4 years
 Mains supply: Plug-in transformer 110-240 V 50-60 Hz / 6 V

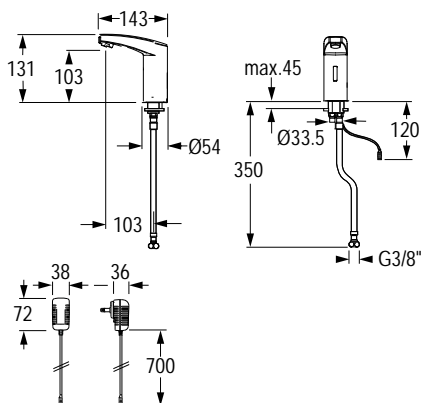
Operating pressure: 0,3-10 bar
 Flow rate: Approx. 5 l/min / 1,3 gpm (3 bar)
 Water temperature (max.): 80 °C
 Aerator: Aerator CACHÉ
 Flexible hoses: 2x500 mm / 1x350 mm
 Angle valve connection: G 3/8
 Built-in filters: 0,5 mm mesh size
 Sensor sensitivity: Automatic self-adapting sensor technology
 Follow-up time: 1 s pre-set (adjustable with function key 0-10 s)
 Continuous water flow and hygienic flush time: 2 min pre-set (adjustable with function key 0,5-20 min)
 Temporary-off: 2 min (fixed)
 Engineering standards: DIN EN 200; CE

Note: When integrated into the CNX Water Management System, the CNX Converter 6 V must be ordered separately.
 When using the Service APP, the BLE Converter must be ordered separately.

Versions		 Function key Click	
Power supply	Drain assembly	Colour	Article number
 Battery  Without	Without	Chromed	150.020.11
 Mains supply  Without	Without	Chromed	150.030.11

Faucets electronic

maxx lavatory faucet M20



maxx lavatory faucet M20, with IR sensor, without temperature-mixing (for cold or premixed water), chromed

Touchless, electronically controlled lavatory faucet:

- Modular single-piece design without separate installation box, sturdy metal housing, chromed
- Integrated battery (maintenance via service cover)
- Infrared sensors with automatic setting feature, microprocessor
- Reliable solenoid valve ROBUST (minimal level of water pressure surge) and economic aerator
- Cold water supply connection with flexible hose and built-in filter
- Temporary-off (cleaning) and continuous water flow time (filling of basin) adjustable with Touch
- Continuous-on and hygienic flush time adjustable with Touch
- Follow-up time, sensor-sensitivity adjustable with Touch
- 12, 24 or 48-hour hygienic flush adjustable with Touch
- Installation similar to conventional single-lever faucet
- Compatible with CNX, Service APP and Service Monitor: control of stored operational data, settings and control functions

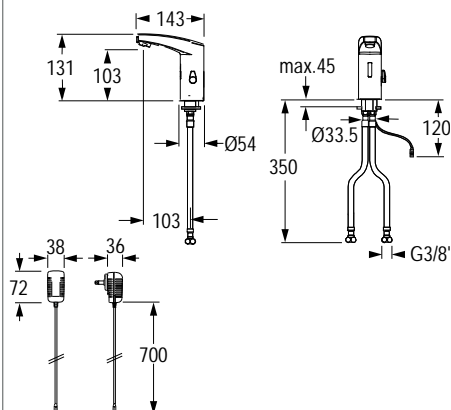
Battery: 6 V Lithium CRP2 - commercial; life time up to 4 years
 Mains supply: Plug-in transformer 110-240 V 50-60 Hz / 6 V
 VARIOconnect: For single and multiple power supply and data connection (Connection CNX, Service APP and Service Monitor - see accessories)

Operating pressure: 0,3-10 bar;
 Flow rate: Approx. 6 l/min / 1,6 gpm (3 bar)
 Water temperature (max.): 80 °C
 Aerator: Economic aerator, CASCADE (self-cleaning)
 Flexible hose: 350 mm
 Angle valve connection: G 3/8
 Built-in filter: 0,5 mm mesh size
 Sensor sensitivity: Automatic self-adapting sensor technology
 Follow-up time: 1 s pre-set (adjustable with Touch 0-10 s)
 Continuous water flow and hygienic flush time: 2 min pre-set (adjustable with Touch 0,5-20 min)
 Temporary-off: 2 min (fixed);
 Engineering standards: DIN EN 200; CE

Note: When integrated into the CNX Water Management System, the CNX Converter 6 V must be ordered separately.
 When using the Service APP, the BLE Converter must be ordered separately.

Power supply	Drain assembly	Colour	Article number
Battery	Without	Chromed	131.040.11
Mains supply	Without	Chromed	131.050.11
VARIOconnect	Without	Chromed	131.056.11

maxx lavatory faucet M10



maxx lavatory faucet M10, with IR sensor, with temperature-mixing, chromed

Touchless, electronically controlled lavatory faucet:

- Modular single-piece design without separate installation box, sturdy metal housing, chromed
- Integrated battery (maintenance via service cover)
- Infrared sensors with automatic setting feature, microprocessor
- Reliable solenoid valve ROBUST (minimal level of water pressure surge) and economic aerator
- Hot and cold water supply connection with flexible high-pressure hoses
- Check valves and built-in filters
- Temperature adjustable or fixable (vandal-resistant construction)
- Adjustable hot water limitation (mechanically)
- Temporary-off (cleaning) and continuous water flow time (filling of basin) adjustable with Touch
- Continuous-on and hygienic flush time adjustable with Touch
- Follow-up time, sensor-sensitivity adjustable with Touch
- 12, 24 or 48-hour hygienic flush adjustable with Touch
- Installation similar to conventional single-lever faucet
- Compatible with CNX, Service APP and Service Monitor: control of stored operational data, settings and control functions

Battery: 6 V Lithium CRP2 - commercial; life time up to 4 years
 Mains supply: Plug-in transformer 110-240 V 50-60 Hz / 6 V
 VARIOconnect: For single and multiple power supply and data connection (Connection CNX, Service APP and Service Monitor - see accessories)

Operating pressure: 0,3-10 bar
 Flow rate: Approx. 6 l/ min 1,6 gpm (3 bar)
 Water temperature (max.): 80 °C
 Aerator: Economic aerator, CASCADE (self-cleaning)
 Flexible hoses: 350 mm
 Angle valve connection: G 3/8
 Built-in filters: 0,5 mm mesh size
 Sensor sensitivity: Automatic self-adapting sensor technology
 Follow-up time: 1 s pre-set (adjustable with Touch 0-10 s)
 Continuous water flow and hygienic flush time: 2 min pre-set (adjustable with Touch 0,5-20 min)
 Temporary-off: 2 min (fixed)
 Engineering standards: DIN EN 200; CE

Note: When integrated into the CNX Water Management System, the CNX Converter 6 V must be ordered separately.
 When using the Service APP, the BLE Converter must be ordered separately.

Power supply	Drain assembly	Colour	Article number
Battery	Without	Chromed	131.000.11
Mains supply	Without	Chromed	131.010.11
VARIOconnect	Without	Chromed	131.016.11

Faucets electronic

umaxx lavatory faucet M21



umaxx lavatory faucet M21, with IR sensor, without temperature-mixing (for cold or premixed water), chromed

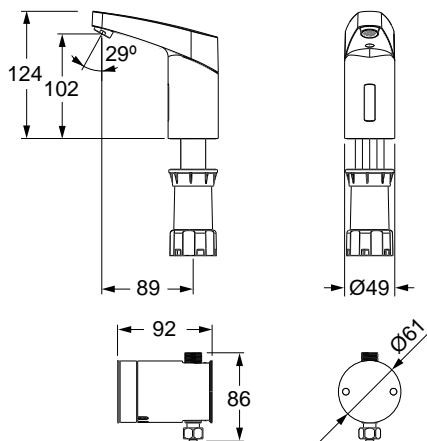
Touchless, electronically controlled lavatory faucet:

- Sturdy metal housing, chromed
- Infrared sensors with automatic setting feature, microprocessor
- Small external hydraulic unit for direct mounting on the angle-stop valve or wall-mounted (optional) with reliable solenoid valve ROBUST (minimal level of water pressure surge) integrated waterproof battery box (in battery operated models only)
- Built-in filter
- Integrated water-resistant battery box, or cable connection for power supply
- Temporary-off (cleaning) and continuous water flow time (filling of basin) adjustable with Touch
- Continuous-on and hygienic flush time with Touch
- Follow-up time, sensor-sensitivity with Touch
- 12, 24 or 48-hour hygienic flush with Touch
- Compatible with Service APP and Service Monitor: control of stored operational data, settings and control functions

Battery: 6 V Lithium CRP2 - commercial, life time up to 4 years
 Mains supply: Plug-in transformer 110-240 V 50-60 Hz / 6 V
 VARIOconnect: For single and multiple power supply and data connection (Connection Service APP and Service Monitor - see accessories)

Operating pressure: 0,3-10 bar
 Flow rate: Approx. 3,5 l/min / 0,9 gpm (3 bar)
 Water temperature (max.): 80 °C
 Aerator: Aerator HONEYCOMB
 Flexible hose: 550 mm
 Angle valve connection: G 3/8
 Built-in filter: 0,5 mm mesh size
 Sensor sensitivity: Automatic self-adapting sensor technology
 Follow-up time: 1 s pre-set (adjustable with Touch)
 Continuous water flow and hygienic flush time: 2 min pre-set (adjustable with Touch 0,5-20 min)
 Temporary-off: 2 min (fixed)
 Engineering standards: DIN EN 200; CE


Note: When using the Service APP, the BLE Converter must be ordered separately.



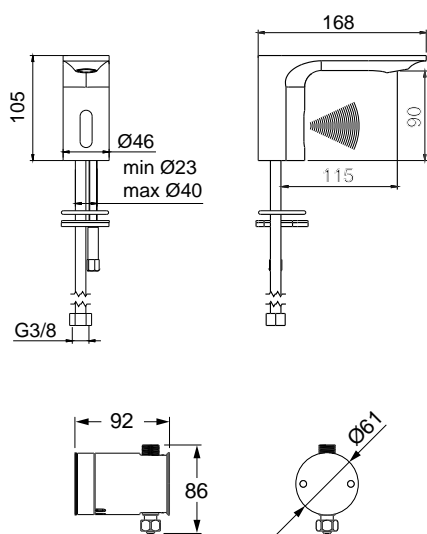
Faucets electronic

Power supply	Drain assembly	Colour	Article number
Battery	Without	Chromed	133.040.11
Mains supply	Without	Chromed	133.050.11
VARIOconnect	Without	Chromed	133.056.11

Accessories for umaxx lavatory faucet

	<p>Wall mounting kit for external valve unit</p> <p>Set consisting of:</p> <ul style="list-style-type: none"> • 1 Wall bracket HU20 • 2 Screws • 1 Armoured hose G 3/8 • 1 Twin connector cyl. OD 3/8 • Suitable for umaxx, ran 	
Description	Type	Article number
umaxx wall mounting kit for external valve unit	Suitable for umaxx, ran	550.071.00

ran lavatory faucet, chromed



ran lavatory faucet, with IR sensor, without temperature-mixing (for cold or premixed water), chromed

Touchless, electronically controlled lavatory faucet:

- Modular single-piece design without separate installation box, sturdy metal housing, chromed
- Infrared sensors (with automatic setting feature), microprocessor
- Small external hydraulic unit for direct mounting on the angle-stop valve with reliable solenoid valve ROBUST (minimal level of water pressure surge)
- Built-in filter
- Integrated water-resistant battery box
- Temporary-off (cleaning) and continuous water flow time (filling of basin) activated by Touch
- Continuous water flow time and hygienic flush time adjustable with Touch
- Follow-up time and sensor sensitivity adjustable with Touch
- 12, 24 or 48-hour hygienic flush activatable with Touch
- Installation similar to conventional single-lever faucet
- Compatible with Service APP and Service Monitor: control of stored operational data, settings and control functions

Battery: 6 V Lithium 2 CR5 - commercial; life time up to 4 years

Operating pressure: 0,3-10 bar

Flow rate: Approx. 3,5 l/min / 0,9 gpm (3 bar)

Water temperature (max.): 80 °C

Flexible hose: 550 mm

Angle valve connection: G 3/8

Built-in filter: 0,5 mm mesh size


Sensor sensitivity: Automatic self-adapting sensor technology

Follow-up time: 1 s pre-set (adjustable with function key 0-10 s)

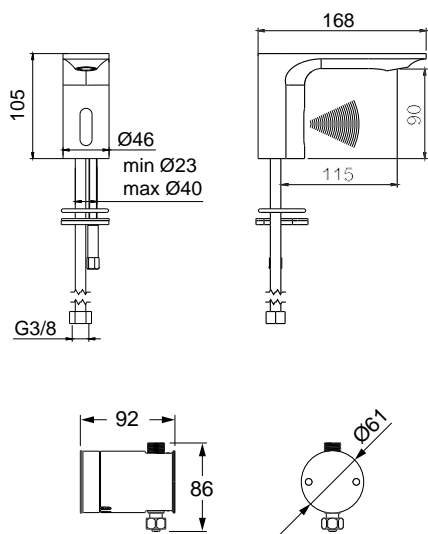
Continuous water flow and hygienic flush time: 2 min pre-set (adjustable with function key 0,5-20 min)

Temporary-off: 2 min (fixed)

Note: When using the Service APP, the BLE Converter must be ordered separately.

Power supply	Drain assembly	Colour	Article code
 Battery	Without	Chromed	COND056112215

ran lavatory faucet, brushed nickel



ran lavatory faucet, with IR sensor, without temperature-mixing (for cold or premixed water), brushed nickel

Touchless, electronically controlled lavatory faucet:

- Modular single-piece design without separate installation box, sturdy metal housing, chromed
- Infrared sensors (with automatic setting feature), microprocessor
- Small external hydraulic unit for direct mounting on the angle-stop valve with reliable solenoid valve ROBUST (minimal level of water pressure surge)
- Built-in filter
- Integrated water-resistant battery box
- Temporary-off (cleaning) and continuous water flow time (filling of basin) activated by Touch
- Continuous water flow time and hygienic flush time adjustable with Touch
- Follow-up time and sensor sensitivity adjustable with Touch
- 12, 24 or 48-hour hygienic flush activatable with Touch
- Installation similar to conventional single-lever faucet
- Compatible with Service APP and Service Monitor: control of stored operational data, settings and control functions

Battery: 6 V Lithium 2 CR5 - commercial; life time up to 4 years

Operating pressure: 0,3-10 bar

Flow rate: Approx. 3,5 l/min / 0,9 gpm (3 bar)

Water temperature (max.): 80 °C

Flexible hose: 550 mm

Angle valve connection: G 3/8

Built-in filter: 0,5 mm mesh size

Sensor sensitivity: Automatic self-adapting sensor technology

Follow-up time: 1 s pre-set (adjustable with function key 0-10 s)


Continuous water flow and hygienic flush time: 2 min pre-set (adjustable with function key 0,5-20 min)

Temporary-off: 2 min (fixed)

Note: When using the Service APP, the BLE Converter must be ordered separately.

Power supply	Drain assembly	Colour	Article code
 Battery	Without	Brushed nickel	COND058112215

Accessories for ran lavatory faucet

	<p>Wall mounting kit for external valve unit</p> <p>Set consisting of:</p> <ul style="list-style-type: none"> • 1 Wall bracket HU20 • 2 Screws • 1 Armoured hose G 3/8 • 1 Twin connector cyl. OD 3/8 • Suitable for umaxx, ran 	
Description	Type	Article number
ran wall mounting kit for external valve unit	Suitable for umaxx, ran	550.071.00

CONTI+

Hygienic, robust, touchless,
chromed / brushed nickel, modern design
CONTI+ ran lavatory faucet

Beautiful, cast in one piece, Gel coat
Single, double and row washing areas
Fixed and custom-made
CONTI+ washbasin solutions

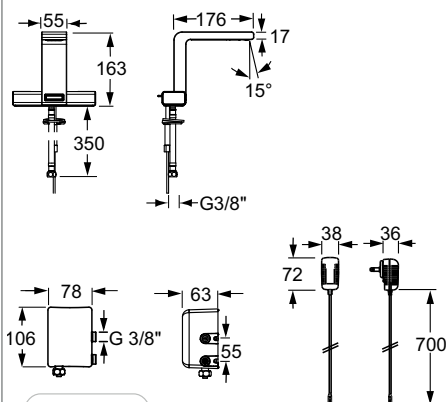
THE SOLUTION

CONTI+ offers you the complete washroom solution. From washbasins to modern and high tech, elegant, design-oriented lavatory faucets and entire sanitary equipment, from soap and disinfectant dispensers to paper and toilet paper dispensers to waste bins.

CONTI 



Senso lavatory faucet



reddot design award
honourable mention 2010

Senso lavatory faucet, with IR sensor, with electronic mixing, with temperature indication via light-beam, chromed

Touchless, electronically controlled lavatory faucet:

- Modular single-piece design with small external mixer unit on angle valve
- Housing made of brass, chromed
- Reliable solenoid valve ROBUST (minimal level of water pressure surge)
- Cold water supply connection with flexible high-pressure hose (cold water + faucet, mixer directly to angle valve)
- Adjustable temperature
- Comfort water-saving by sensitive raindrop-aerator
- Light use through mature LED technology
- Illumination of the water jet in white
- Electronically Touch function - easy change of the temperature by touching the button
- Temperature indication through lighted display bar (red, white, blue)
- Changes by touching the button
- Welcome-function (remote detection), light elements flashes white
- Infrared sensors with automatic setting feature, microprocessor
- Follow-up time and sensor sensitivity adjustable
- Installation similar to conventional single-lever faucet

Mains supply: Plug-in transformer 110-240 V 50-60 Hz / 6 V

Operating pressure: 0,3-10 bar;
Flow rate: Approx. 2 l/min / 0,5 gpm 2-row jet piece (3 bar) (delivery status)
Approx. 4 l/min / 0,5 gpm 3-row jet piece (3 bar)

Water temperature (max.): 80 °C

Aerator: Raindrop-aerator
Flexible hoses: 350 mm
Angle valve connection: G 3/8
Built-in filters: 0,5 mm mesh size
Sensor sensitivity: Automatic self-adapting sensor technology
Follow-up time: 2 s pre-set (1-7 s adjustable)
Continuous water flow: 2 min pre-set (1-7 min adjustable)
Temporary-off: 2 min (1-7 min adjustable)
Engineering standards: DIN EN 200; CE

Faucets
electronic

Power supply	Drain assembly	Colour	Article number
Mains supply	Without	Chromed	155.010.11

tipolino self-closing lavatory faucet L25P



tipolino self-closing lavatory faucet L25P, with electronic start/stop button, without temperature-mixing (for cold or premixed water), chromed

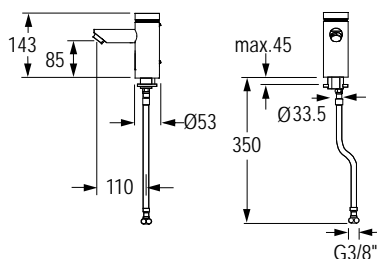
Electronically controlled self-closing lavatory faucet with start/stop button:

- Modular single-piece design without separate installation box, sturdy brass housing, chromed
- Microprocessor electronics
- Reliable solenoid valve ROBUST (minimal level of water pressure surge)
- Economic aerator
- Cold water supply connection with flexible high-pressure hose and built-in filter
- Installation similar to conventional single-lever faucet
- Follow-up time with start/stop button adjustable
- 12, 24, 48-hour hygienic flush with start/stop button activatable
- Mains supply: single- and multiple power supply
- Compatible with CNX, Service APP and Service Monitor: control of stored operational data, settings and control functions

Battery: 6 V Lithium CRP2 - commercial, life time up to 4 years
 Mains supply: Plug-in transformer 110-240 V 50-60 Hz / 6 V
 VARIOconnect: For single and multiple power supply and data connection (Connection CNX, Service APP and Service Monitor - see accessories)

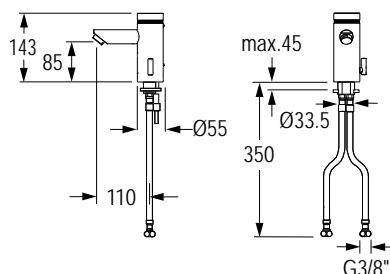
Operating pressure: 0,3-10 bar
 Flow rate: Approx. 6 l/min / 1,6 gpm (3 bar)
 Water temperature (max.): 80 °C
 Aerator: Economic aerator, CASCADE (self-cleaning)
 Flexible hose: 350 mm
 Angle valve connection: G 3/8
 Built-in filter: 0,5 mm mesh size
 Water flow time: 7 s pre-set (manually adjustable with button 2 s - 3 min)
 Hygienic flush time: 30 sec.
 Engineering standards: DIN EN 200; CE

Note: When integrated into the CNX Water Management System, the CNX Converter 6 V must be ordered separately.
 When using the Service APP, the BLE Converter must be ordered separately.



Power supply	Drain assembly	Colour	Article number
Battery	Without	Chromed	120.081.11
Mains supply	Without	Chromed	120.084.11
VARIOconnect	Without	Chromed	120.086.11

tipolino self-closing lavatory faucet L15P



tipolino self-closing lavatory faucet L15P, with electronic start/stop button, with temperature-mixing, chromed

Electronically controlled self-closing lavatory faucet with start/stop button:

- Modular single-piece design without separate installation box, sturdy brass housing, chromed
- Microprocessor electronics
- Reliable solenoid valve ROBUST (minimal level of water pressure surge)
- Economic aerator
- Hot and cold water supply connection with flexible high-pressure hoses
- Check valves and built-in filters
- Temperature adjustable or fixable (vandal-resistant construction)
- Adjustable hot water limitation (mechanically)
- Installation similar to conventional single-lever faucet
- Follow-up time with start/stop button adjustable
- Scald protection adjustable
- 12, 24, 48-hour hygienic flush activatable with start/stop button
- Mains supply: single and multiple power supply
- Compatible with CNX, Service APP and Service Monitor: control of stored operational data, settings and control functions

Battery: 6 V Lithium CRP2 - commercial, life time up to 4 years
 Mains supply: Plug-in transformer 110-240 V 50-60 Hz / 6 V
 VARIOconnect: For single and multiple power supply and data connection (Connection CNX, Service APP and Service Monitor - see accessories)

Operating pressure: 0,3-10 bar
 Flow rate: Approx. 6 l/min / 1,6 gpm (3 bar)
 Water temperature (max.): 80 °C
 Aerator: Economic aerator, CASCADE (self-cleaning)
 Flexible hoses: 350 mm
 Angle valve connection: G 3/8
 Built-in filters: 0,5 mm mesh size
 Water flow time: 7 s pre-set (manuell adjustable with button 2 s - 3 min)
 Hygienic flush time: 30 sec.
 Engineering standards: DIN EN 200; **CE**

Note: When integrated into the CNX Water Management System, the CNX Converter 6 V must be ordered separately.
 When using the Service APP, the BLE Converter must be ordered separately.

Power supply	Drain assembly	Colour	Article number
Battery	Without	Chromed	120.071.11
Mains supply	Without	Chromed	120.074.11
VARIOconnect	Without	Chromed	120.076.11

Faucets electronic

CONGENIAL FIT concealed wall-mounted faucet, rectangular, IR sensor, stainless steel



CONGENIAL FIT concealed wall-mounted faucet, rectangular, with IR sensor, with thermostat, stainless steel - final assembly kit

Final assembly kit for electronic lavatory faucet, device designed as concealed wall-mounted faucet in nominal diameter DN15. With thermostatic mixing device for connection to cold and hot water. Application in new construction building and renovation in commercial, semi-public and public sanitary facilities

- Concealed shower final assembly kit with rectangular cover plate
- Concealed mounting, robust double lock, multi sealing system with drainage system for condensation
- Cover plate: stainless steel 1.4301, all visible surfaces made of brushed stainless steel, dimensions (WxHxD): 225x170x10 mm
- Support frame for cover plate: implementing functional elements and thermostat incl. EPDM sealing rings
- Multifunction tool for maintenance work
- Adaptive multifunctional water path CONGENIAL with solenoid valve 6 V/DC ROBUST, bistable
- Upgrade and retrofitting functions
- Water path: dezincification resistant forged brass, as a high-quality thermostatic mixer, thermostat handle: chromed brass
- Visible components made of solid chromed brass, with safety stop
- Choice of temperature and setting range
- Integrated check valves in the bypass and check valve and strainer cartridges for water inlets
- All functional parts can be disassembled from the front during maintenance work without removing the valve body
- Electronic operation via IR sensor, IR double sensor system, with automatic setting feature
- The water flow time is easily adjustable in electronic faucets

Battery: 6 V Lithium waterproof encased, lifetime up to 4 years
 Mains: Power supply over 12 V/DC power supply for surface-mounted version in installation box of for DIN top-hat rail mounting
 Mains (CNX): Power supply over 30 V/DC power supply in the control panels 64 and 150

Hygienic flush (mains/battery):

Hygienic flush (electronic): the hygienic flush can be carried out in electronic faucets by programming via Click or the Service APP per shower; 12, 24 or 72 h, deactivatable; factory setting: 30 s water flush after 21 h of last water flow activation.

Water flow time:

The water flow time of the faucet function can be set and disabled for electronic faucets, integrated into the CNX Water Management System or via Service APP, through the software parameter settings per faucet or faucet group. Setting range: 0 - 180 s, factory setting: 30 s.

Hygienic flush:

The hygienic flush can be set and disabled for electronic faucets, integrated into the CNX Water Management System or via Service APP, by the software parameter settings per faucet or faucet group as interval or calendar function. Factory setting: 30 s water flush after 12 h of last water flow activation.

Thermal disinfection:

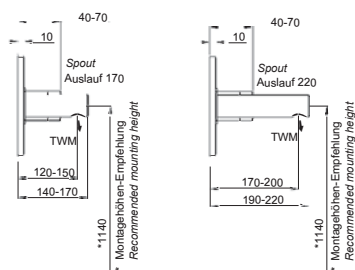
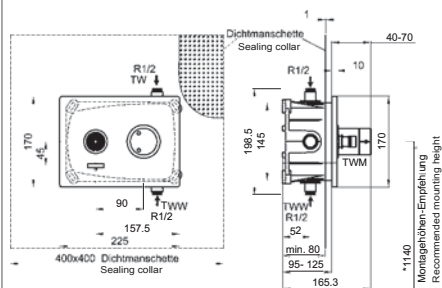
The thermal disinfection can be set as a calendar function in electronic faucets, integrated into the CNX Water Management System or via Service APP, by the software parameter setting per faucet group.

Cleaning stop:

The operation stop (cleaning stop), interruption of the faucet function can be set in electronic faucets, integrated into the CNX Water Management System or via Service APP, by the software parameter settings per faucet or faucet group as a calendar function.

CNX Water Management System:

Integration of the faucet into the software-controlled CNX Water Management System for the automatic depiction of hygiene, system and safety functions of electronic showers, lavatory faucets and urinal flush valves at the BUS level. Parametrisation of individual devices and device groups. Tamper-proof documentation of all operating, action and function messages.








* Example with spout 170 / 220 mm



Faucets electronic

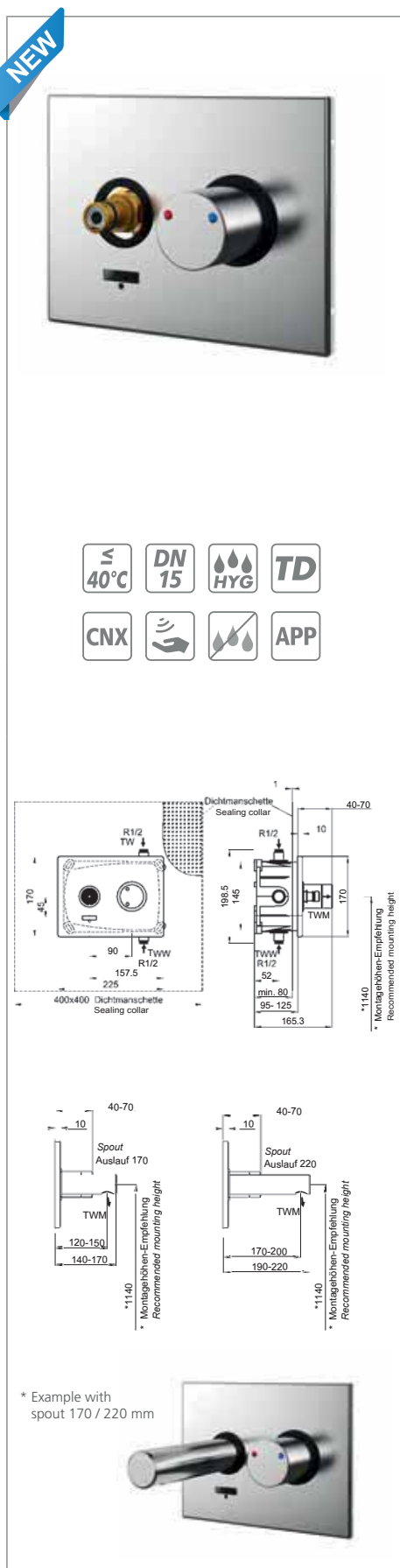
CONGENIAL FIT concealed wall-mounted faucet, rectangular, IR sensor, stainless steel

<p>Technical data:</p> <p>Operating voltage (battery): 6 V/DC Operating voltage (mains): 12 V/DC Operating voltage (CNX): 30 V/DC Operating pressure: 1,5-5,0 bar Water temp. standard operation (max.): 70 °C Water temp. thermal disinfection: Short-term for therm. disinfection 80 °C Flow rate DN15: 0,1 l/s (flow rate controller) Flow rate during thermal disinfection DN15: 0,05 l/s (flow rate controller) Water flow time setting range: 3-180 s Water flow time factory setting: 30 s Hygienic flush factory setting: 2 min pre-set (adjustable with Touch 0,5-20 min) Electronic protection type: IP68</p>	<p>Required accessories:</p> <p>CONR5112 CONBOX FIT raw-assembling set CONO820170 / CONO820220 spout 170 / 220 mm Central mains power supply or CNX central operation unit</p>
-------------------------------------------------------------------------------------------------------------------------------------------------------------------------------------------------------------------------------------------------------------------------------------------------------------------------------------------------------------------------------------------------------------------------------------------------------------------------------------------------------------------------------------------------------------------------------------------------------------------------------------------------------------------------------------------------------------------------------------------------------------------------------	-----------------------------------------------------------------------------------------------------------------------------------------------------------------------------------------------------------------

							
Version	Power supply	Hygienic flush	Mains CNX	Therm. disinfection (electronic)	Thermal disinfection CNX	Cleaning stop	Article number
Battery	6 V/DC Lithium battery waterproof encased	•					CONE7116218100
Mains	12 V/DC series wiring to connect to central mains power supply (see chapter accessories)	•					CONE7116218200
CNX	30 V/DC power supply to CNX central operating unit (see chapter accessories)	•	•			•	CONE7116218336
		•	•		•	•	CONE7116218360
Accessories	(see accessories for CONGENIAL FIT)	Spout 170 mm, chromed					CONO820170
		Spout 220 mm, chromed					CONO820220

Faucets electronic

CONGENIAL FIT concealed wall-mounted faucet, rectangular, IR sensor, chromed



CONGENIAL FIT concealed wall-mounted faucet, rectangular, with IR sensor, with thermostat, chromed - final assembly kit

Final assembly kit for electronic lavatory faucet, device designed as concealed wall-mounted faucet in nominal diameter DN15. With thermostatic mixing device for connection to cold and hot water. Application in new construction building and renovation in commercial, semi-public and public sanitary facilities.

- Concealed shower final assembly kit with rectangular cover plate
- Concealed mounting, robust double lock, multi sealing system with drainage system for condensation
- Cover plate: stainless steel 1.4301, all visible surfaces made of stainless steel, chromed, dimensions (WxHxD): 225x170x10 mm
- Support frame for cover plate: implementing functional elements and thermostat incl. EPDM sealing rings
- Multifunction tool for maintenance work
- Adaptive multifunctional water path CONGENIAL with solenoid valve 6 V/DC ROBUST, bistable
- Upgrade and retrofitting functions
- Water path: dezincification resistant forged brass, as a high-quality thermostatic mixer, thermostat handle: chromed brass
- Visible components made of solid chromed brass, with safety stop
- Choice of temperature and setting range
- Integrated check valve in the bypass and check valve and strainer cartridges for water inlets
- All functional parts can be disassembled during maintenance work without removing the valve body
- Electronic operation via IR sensor, IR double sensor system, with automatic setting feature
- The water flow time is easily adjustable in electronic faucets

Battery: 6 V Lithium waterproof encased, lifetime up to 4 years
 Mains: Power supply over 12 V/DC power supply for surface-mounted version in installation box of for DIN top-hat rail mounting
 Mains (CNX): Power supply over 30 V/DC power supply in the control panels 64 and 150

Hygienic flush (mains/battery):
 Hygienic flush (electronic): the hygienic flush can be carried out in electronic faucets by programming via Click or the Service APP per shower; 12, 24 or 72 h, deactivatable; factory setting: 30 s water flush after 21 h of last water flow activation.

Water flow time:
 The water flow time of the faucet function can be set and disabled for electronic faucets, integrated into the CNX Water Management System or via Service APP, through the software parameter settings per faucet or faucet group. Setting range: 0 - 180 s, factory setting: 30 s.

Hygienic flush:
 The hygienic flush can be set and disabled for electronic faucets, integrated into the CNX Water Management System or via Service APP, by the software parameter settings per faucet or faucet group as interval or calendar function. Factory setting: 30 s water flush after 12 h of last water flow activation.






Thermal disinfection:
 The thermal disinfection can be set as a calendar function in electronic faucets, integrated into the CNX Water Management System or via Service APP, by the software parameter setting per faucet group.

Cleaning stop:
 The operation stop (cleaning stop), interruption of the faucet function can be set in electronic faucets, integrated into the CNX Water Management System or via Service APP, by the software parameter settings per faucet or faucet group as a calendar function.

CNX Water Management System:
 Integration of the faucet into the software-controlled CNX Water Management System for the automatic depiction of hygiene, system and safety functions of electronic showers, lavatory faucets and urinal flush valves at the BUS level. Parametrisation of individual devices and device groups. Tamper-proof documentation of all operating, action and function messages.

CONGENIAL FIT concealed wall-mounted faucet, rectangular, IR sensor, chromed

<p>Technical data:</p> <p>Operating voltage (battery): 6 V/DC Operating voltage (mains): 12 V/DC Operating voltage (CNX): 30 V/DC Operating pressure: 1,5-5,0 bar Water temp. standard operation (max.): 70 °C Water temp. thermal disinfection: Short-term for therm. disinfection 80 °C Flow rate DN15: 0,1 l/s (flow rate controller) Flow rate during thermal disinfection DN15: 0,05 l/s (flow rate controller) Water flow time setting range: 3-180 s Water flow time factory setting: 30 s Hygienic flush factory setting: 2 min pre-set (adjustable with Touch 0,5-20 min) Electronic protection type: IP68</p>	<p>Required accessories:</p> <p>CONR5112 CONBOX FIT raw-assembling set CONO820170 / CONO820220 spout 170 / 220 mm Central mains power supply or CNX central operation unit</p>
-------------------------------------------------------------------------------------------------------------------------------------------------------------------------------------------------------------------------------------------------------------------------------------------------------------------------------------------------------------------------------------------------------------------------------------------------------------------------------------------------------------------------------------------------------------------------------------------------------------------------------------------------------------------------------------------------------------------------------------------------------------------------------	-----------------------------------------------------------------------------------------------------------------------------------------------------------------------------------------------------------------

							
Version	Power supply	Hygienic flush	Mains CNX	Therm. disinfection (electronic)	Thermal disinfection CNX	Cleaning stop	Article number
Battery	6 V/DC Lithium battery waterproof encased	•					CONE7156218100
Mains	12 V/DC series wiring to connect to central mains power supply (see chapter accessories)	•					CONE7156218200
CNX	30 V/DC power supply to CNX central operating unit (see chapter accessories)	•	•			•	CONE7156218336
		•	•		•	•	CONE7156218360
Accessories	(see accessories for CONGENIAL FIT)	Spout 170 mm, chromed					CONO820170
		Spout 220 mm, chromed					CONO820220

Faucets electronic

CONGENIAL FIT concealed wall-mounted faucet, oval, IR sensor, stainless steel

NEW

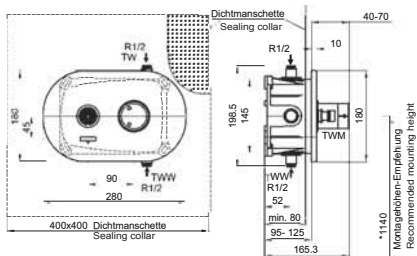


CONGENIAL FIT concealed wall-mounted faucet, oval, with IR sensor, with thermostat, stainless steel - final assembly kit

Final assembly kit for electronic lavatory faucet, device designed as concealed wall-mounted faucet in nominal diameter DN15. With thermostatic mixing device for connection to cold and hot water. Application in new construction building and renovation in commercial, semi-public and public sanitary facilities.

- Concealed shower final assembly kit with oval cover plate
- Concealed mounting, robust double lock, multi sealing system with drainage system for condensation
- Cover plate: stainless steel 1.4301, all visible surfaces made of brushed stainless steel, dimensions (WxHxD): 280x180x10 mm
- Support frame for cover plate: implementing functional elements and thermostat incl. EPDM sealing rings
- Multifunction tool for maintenance work
- Adaptive multifunctional water path CONGENIAL with solenoid valve 6 V/DC ROBUST, bistable
- Upgrade and retrofitting functions
- Water path: dezincification resistant forged brass, as a high-quality thermostatic mixer, thermostat handle: chromed brass
- Visible components made of solid chromed brass, with safety stop
- Choice of temperature and setting range
- Integrated check valve in the bypass and check valve and strainer cartridges for water inlets
- All functional parts can be disassembled from the front during maintenance work without removing the valve body
- Electronic operation via IR sensor, IR double sensor system, with automatic setting feature
- The water flow time is easily adjustable in electronic faucets

Battery: 6 V Lithium waterproof encased, lifetime up to 4 years
 Mains: Power supply over 12 V/DC power supply for surface-mounted version in installation box of for DIN top-hat rail mounting
 Mains (CNX): Power supply over 30 V/DC power supply in the control panels 64 and 150



Hygienic flush (mains/battery):

Hygienic flush (electronic): the hygienic flush can be carried out in electronic faucets by programming via Click or the Service APP per shower; 12, 24 or 72 h, deactivatable; factory setting: 30 s water flush after 21 h of last water flow activation.

Water flow time:

The water flow time of the faucet function can be set and disabled for electronic faucets, integrated into the CNX Water Management System or via Service APP, through the software parameter settings per faucet or faucet group. Setting range: 0 - 180 s, factory setting: 30 s.

Hygienic flush:

The hygienic flush can be set and disabled for electronic faucets, integrated into the CNX Water Management System or via Service APP, by the software parameter settings per faucet or faucet group as interval or calendar function. Factory setting: 30 s water flush after 12 h of last water flow activation.

Thermal disinfection:

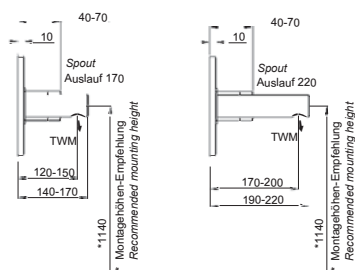
The thermal disinfection can be set as a calendar function in electronic faucets, integrated into the CNX Water Management System or via Service APP, by the software parameter setting per faucet group.

Cleaning stop:

The operation stop (cleaning stop), interruption of the faucet function can be set in electronic faucets, integrated into the CNX Water Management System or via Service APP, by the software parameter settings per faucet or faucet group as a calendar function.

CNX Water Management System:

Integration of the faucet into the software-controlled CNX Water Management System for the automatic depiction of hygiene, system and safety functions of electronic showers, lavatory faucets and urinal flush valves at the BUS level. Parametrisation of individual devices and device groups. Tamper-proof documentation of all operating, action and function messages.








* Example with spout 170 / 220 mm



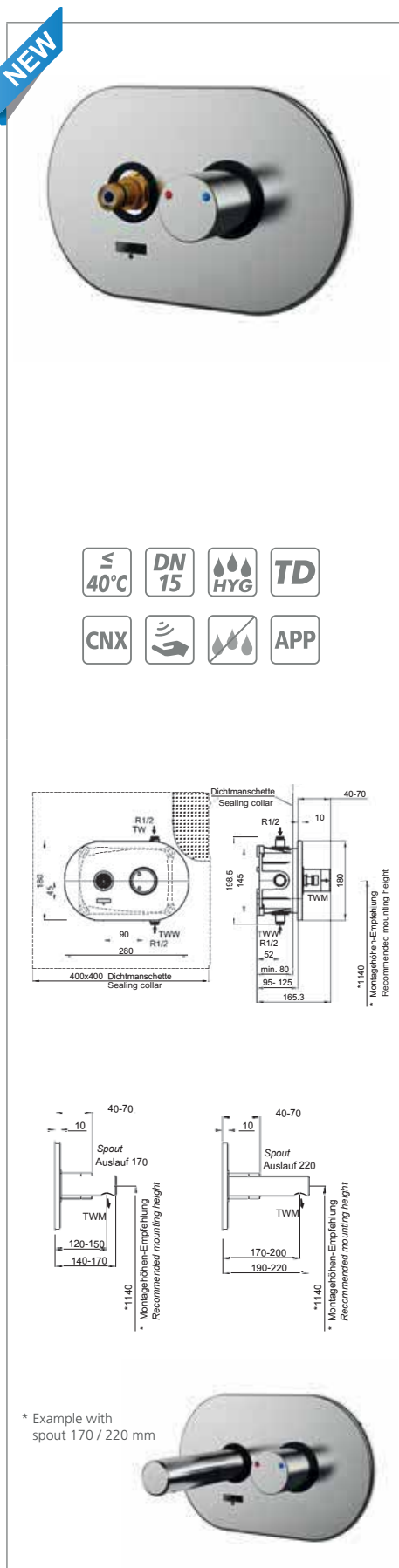
CONGENIAL FIT concealed wall-mounted faucet, oval, IR sensor, stainless steel

<p>Technical data:</p> <p>Operating voltage (battery): 6 V/DC Operating voltage (mains): 12 V/DC Operating voltage (CNX): 30 V/DC Operating pressure: 1,5-5,0 bar Water temp. standard operation (max.): 70 °C Water temp. thermal disinfection: Short-term for therm. disinfection 80 °C Flow rate DN15: 0,1 l/s (flow rate controller) Flow rate during thermal disinfection DN15: 0,05 l/s (flow rate controller) Water flow time setting range: 3-180 s Water flow time factory setting: 30 s Hygienic flush factory setting: 2 min pre-set (adjustable with Touch 0,5-20 min) Electronic protection type: IP68</p>	<p>Required accessories:</p> <p>CONR5112 CONBOX FIT raw-assembling set CONO820170 / CONO820220 spout 170 / 220 mm Central mains power supply or CNX central operation unit</p>
-------------------------------------------------------------------------------------------------------------------------------------------------------------------------------------------------------------------------------------------------------------------------------------------------------------------------------------------------------------------------------------------------------------------------------------------------------------------------------------------------------------------------------------------------------------------------------------------------------------------------------------------------------------------------------------------------------------------------------------------------------------------------------	-----------------------------------------------------------------------------------------------------------------------------------------------------------------------------------------------------------------

Version	Power supply						Article number
Battery	6 V/DC Lithium battery waterproof encased	•					CONE7117218100
Mains	12 V/DC series wiring to connect to central mains power supply (see chapter accessories)	•					CONE7117218200
CNX	30 V/DC power supply to CNX central operating unit (see chapter accessories)	•	•			•	CONE7117218336
		•	•		•	•	CONE7117218360
Accessories	(see accessories for CONGENIAL FIT)	Spout 170 mm, chromed					CONO820170
		Spout 220 mm, chromed					CONO820220

Faucets electronic

CONGENIAL FIT concealed wall-mounted faucet, oval, IR sensor, chromed



CONGENIAL FIT concealed wall-mounted faucet, oval, with IR sensor, with thermostat, chromed - final assembly kit

Final assembly kit for electronic lavatory faucet, device designed as concealed wall-mounted faucet in nominal diameter DN15. With thermostatic mixing device for connection to cold and hot water. Application in new construction building and renovation in commercial, semi-public and public sanitary facilities.

- Concealed shower final assembly kit with oval cover plate
- Concealed mounting, robust double lock, multi sealing system with drainage system for condensation
- Cover plate: stainless steel 1.4301, all visible surfaces made of stainless steel, chromed, dimensions (WxHxD): 280x180x10 mm
- Support frame for cover plate: implementing functional elements and thermostat incl. EPDM sealing rings
- Multifunction tool for maintenance work
- Adaptive multifunctional water path CONGENIAL with solenoid valve 6 V/DC ROBUST, bistable
- Upgrade and retrofitting functions
- Water path: dezincification resistant forged brass, as a high-quality thermostatic mixer, thermostat handle: chromed brass
- Visible components made of solid chromed brass, with safety stop
- Choice of temperature and setting range
- Integrated check valve in the bypass and check valve and strainer cartridges for water inlets
- All functional parts can be disassembled from the front during maintenance work without removing the valve body
- Electronic operation via IR sensor, IR double sensor system, with automatic setting feature
- The water flow time is easily adjustable in electronic faucets

Battery: 6 V Lithium waterproof encased, lifetime up to 4 years
 Mains: Power supply over 12 V/DC power supply for surface-mounted version in installation box of for DIN top-hat rail mounting
 Mains (CNX): Power supply over 30 V/DC power supply in the control panels 64 and 150

Hygienic flush (mains/battery):
 Hygienic flush (electronic): the hygienic flush can be carried out in electronic faucets by programming via Click or the Service APP per shower; 12, 24 or 72 h, deactivatable; factory setting: 30 s water flush after 21 h of last water flow activation.

Water flow time:
 The water flow time of the faucet function can be set and disabled for electronic faucets, integrated into the CNX Water Management System or via Service APP, through the software parameter settings per faucet or faucet group. Setting range: 0 - 180 s, factory setting: 30 s.

Hygienic flush:
 The hygienic flush can be set and disabled for electronic faucets, integrated into the CNX Water Management System or via Service APP, by the software parameter settings per faucet or faucet group as interval or calendar function. Factory setting: 30 s water flush after 12 h of last water flow activation.






Thermal disinfection:
 The thermal disinfection can be set as a calendar function in electronic faucets, integrated into the CNX Water Management System or via Service APP, by the software parameter setting per faucet group.

Cleaning stop:
 The operation stop (cleaning stop), interruption of the faucet function can be set in electronic faucets, integrated into the CNX Water Management System or via Service APP, by the software parameter settings per faucet or faucet group as a calendar function.

CNX Water Management System:
 Integration of the faucet into the software-controlled CNX Water Management System for the automatic depiction of hygiene, system and safety functions of electronic showers, lavatory faucets and urinal flush valves at the BUS level. Parametrisation of individual devices and device groups. Tamper-proof documentation of all operating, action and function messages.

CONGENIAL FIT concealed wall-mounted faucet, oval, IR sensor, chromed

<p>Technical data:</p> <p>Operating voltage (battery): 6 V/DC Operating voltage (mains): 12 V/DC Operating voltage (CNX): 30 V/DC Operating pressure: 1,5-5,0 bar Water temp. standard operation (max.): 70 °C Water temp. thermal disinfection: Short-term for therm. disinfection 80 °C Flow rate DN15: 0,1 l/s (flow rate controller) Flow rate during thermal disinfection DN15: 0,05 l/s (flow rate controller) Water flow time setting range: 3-180 s Water flow time factory setting: 30 s Hygienic flush factory setting: 2 min pre-set (adjustable with Touch 0,5-20 min) Electronic protection type: IP68</p>	<p>Required accessories:</p> <p>CONR5112 CONBOX FIT raw-assembling set CONO820170 / CONO820220 spout 170 / 220 mm Central mains power supply or CNX central operation unit</p>
-------------------------------------------------------------------------------------------------------------------------------------------------------------------------------------------------------------------------------------------------------------------------------------------------------------------------------------------------------------------------------------------------------------------------------------------------------------------------------------------------------------------------------------------------------------------------------------------------------------------------------------------------------------------------------------------------------------------------------------------------------------------------------	-----------------------------------------------------------------------------------------------------------------------------------------------------------------------------------------------------------------

							
Version	Power supply	Hygienic flush	Mains CNX	Therm. disinfection (electronic)	Thermal disinfection CNX	Cleaning stop	Article number
Battery	6 V/DC Lithium battery waterproof encased	•					CONE7157218100
Mains	12 V/DC series wiring to connect to central mains power supply (see chapter accessories)	•					CONE7157218200
CNX	30 V/DC power supply to CNX central operating unit (see chapter accessories)	•	•			•	CONE7157218336
		•	•		•	•	CONE7157218360
Accessories	(see accessories for CONGENIAL FIT)	Spout 170 mm, chromed					CONO820170
		Spout 220 mm, chromed					CONO820220

Faucets electronic

CONGENIAL FIT concealed wall-mounted faucet, rectangular, piezo, stainless steel

NEW



CONGENIAL FIT concealed wall-mounted faucet, rectangular, with piezo switch, with thermostat, stainless steel - final assembly kit

Final assembly kit for electronic lavatory faucet, device designed as concealed wall-mounted faucet in nominal diameter DN15. With thermostatic mixing device for connection to cold and hot water. Application in new construction building and renovation in commercial, semi-public and public sanitary facilities.

- Concealed shower final assembly kit with rectangular cover plate
- Concealed mounting, robust double lock, multi sealing system with drainage system for condensation
- Cover plate: stainless steel 1.4301, all visible surfaces made of brushed stainless steel, dimensions (WxHxD): 225x170x10 mm
- Support frame for cover plate: implementing functional elements and thermostat incl. EPDM sealing rings
- Multifunction tool for maintenance work
- Adaptive multifunctional water path CONGENIAL with solenoid valve 6 V/DC ROBUST, bistable
- Upgrade and retrofitting functions
- Water path: dezincification resistant forged brass, as a high-quality thermostatic mixer, thermostat handle: chromed brass
- Visible components made of solid chromed brass, with safety stop
- Choice of temperature and setting range
- Integrated check valve in the bypass and check valve and strainer cartridges for water inlets
- All functional part can be disassembled from the front during maintenance work without removing the valve body
- Electronic operation via piezo switch with start/stop function, piezo switch: colour ring red, rosette chromed
- The water flow time is easily adjustable in electronic faucets

Battery: 6 V Lithium waterproof encased, lifetime up to 4 years
 Mains: Power supply over 12 V/DC power supply for surface-mounted version in installation box of for DIN top-hat rail mounting
 Mains (CNX): Power supply over 30 V/DC power supply in the control panels 64 and 150

Hygienic flush (mains/battery):

Hygienic flush (electronic): the hygienic flush can be carried out in electronic faucets by programming piezo button or the Service APP per shower; 12, 24 or 72 h, deactivatable; factory setting: 30 s water flush after 21 h of last water flow activation.

Water flow time:

The water flow time of the faucet function can be set and disabled for electronic faucets, integrated into the CNX Water Management System or via Service APP, through the software parameter settings per faucet or faucet group. Setting range: 0 - 180 s, factory setting: 30 s.

Hygienic flush:

The hygienic flush can be set and disabled for electronic faucets, integrated into the CNX Water Management System or via Service APP, by the software parameter settings per faucet or faucet group as interval or calendar function. Factory setting: 30 s water flush after 12 h of last water flow activation.

Thermal disinfection:

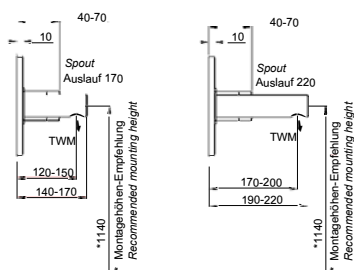
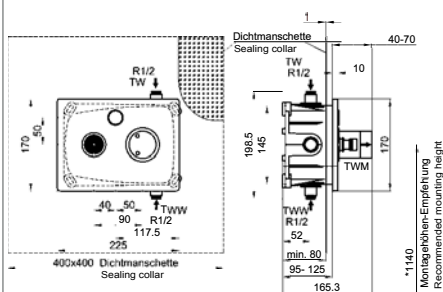
The thermal disinfection can be set as a calendar function in electronic faucets, integrated into the CNX Water Management System or via Service APP, by the software parameter setting per faucet group.

Cleaning stop:

The operation stop (cleaning stop), interruption of the faucet function can be set in electronic faucets, integrated into the CNX Water Management System or via Service APP, by the software parameter settings per faucet or faucet group as a calendar function.

CNX Water Management System:

Integration of the faucet into the software-controlled CNX Water Management System for the automatic depiction of hygiene, system and safety functions of electronic showers, lavatory faucets and urinal flush valves at the BUS level. Parametrisation of individual devices and device groups. Tamper-proof documentation of all operating, action and function messages.








* Example with spout 170 / 220 mm



Faucets electronic

CONGENIAL FIT concealed wall-mounted faucet, rectangular, piezo, stainless steel

<p>Technical data:</p> <p>Operating voltage (battery): 6 V/DC Operating voltage (mains): 12 V/DC Operating voltage (CNX): 30 V/DC Operating pressure: 1,5-5,0 bar Water temp. standard operation (max.): 70 °C Water temp. thermal disinfection: Short-term for therm. disinfection 80 °C Flow rate DN15: 0,1 l/s (flow rate controller) Flow rate during thermal disinfection DN15: 0,05 l/s (flow rate controller) Water flow time setting range: 3-180 s Water flow time factory setting: 30 s Hygienic flush setting range: 12, 24 or 72 h, can be deactivated via setting on piezo switch, other hygienic flush intervals can be set via Service Monitor Hygienic flush factory setting: 12 h after last water flow trigger, 30 s water flow time Electronic protection type: IP68</p>	<p>Required accessories:</p> <p>CONR5112 CONBOX FIT raw-assembling set CONO820170 / CONO820220 spout 170 / 220 mm Central mains power supply or CNX central operation unit</p>
----------------------------------------------------------------------------------------------------------------------------------------------------------------------------------------------------------------------------------------------------------------------------------------------------------------------------------------------------------------------------------------------------------------------------------------------------------------------------------------------------------------------------------------------------------------------------------------------------------------------------------------------------------------------------------------------------------------------------------------------------------------------------------------------------------------------------------------------------------------------------------------------------------------------------------------------------------------	-----------------------------------------------------------------------------------------------------------------------------------------------------------------------------------------------------------------

Version	Power supply						Article number
Battery	6 V/DC Lithium battery waterproof encased	•					CONE7116211100
Mains	12 V/DC series wiring to connect to central mains power supply (see chapter accessories)	•					CONE7116211200
CNX	30 V/DC power supply to CNX central operating unit (see chapter accessories)	•	•			•	CONE7116211336
		•	•		•	•	CONE7116211360
Accessories	(see accessories for CONGENIAL FIT)	Spout 170 mm, chromed					CONO820170
		Spout 220 mm, chromed					CONO820220

Faucets electronic

CONGENIAL FIT concealed wall-mounted faucet, rectangular, piezo, chromed

NEW



CONGENIAL FIT concealed wall-mounted faucet, rectangular, with piezo switch, with thermostat, chromed - final assembly kit

Final assembly kit for electronic lavatory faucet, device designed as concealed wall-mounted faucet in nominal diameter DN15. With thermostatic mixing device for connection to cold and hot water. Application in new construction building and renovation in commercial, semi-public and public sanitary facilities.

- Concealed shower final assembly kit with rectangular cover plate
- Concealed mounting, robust double lock, multi sealing system with drainage system for condensation
- Cover plate: stainless steel 1.4301, all visible surfaces made of stainless steel, chromed, dimensions (WxHxD): 225x170x10 mm
- Support frame for cover plate: implementing functional elements and thermostat incl. EPDM sealing rings
- Multifunction tool for maintenance work
- Adaptive multifunctional water path CONGENIAL with solenoid valve 6 V/DC ROBUST, bistable
- Upgrade and retrofitting functions
- Water path: dezincification resistant forged brass, as a high-quality thermostatic mixer, thermostat handle: chromed brass
- Visible components made of solid chromed brass, with safety stop
- Choice of temperature and setting range
- Integrated check valve in the bypass and check valve and strainer cartridges for water inlets
- All functional part can be disassembled from the front during maintenance work without removing the valve body
- Electronic operation via piezo switch with start/stop function, piezo switch: colour ring red, rosette chromed
- The water flow time is easily adjustable in electronic faucets

Battery: 6 V Lithium waterproof encased, lifetime up to 4 years
Mains: Power supply over 12 V/DC power supply for surface-mounted version in installation box of for DIN top-hat rail mounting
Mains (CNX): Power supply over 30 V/DC power supply in the control panels 64 and 150

Hygienic flush (mains/battery):

Hygienic flush (electronic): the hygienic flush can be carried out in electronic faucets by programming piezo button or the Service APP per shower; 12, 24 or 72 h, deactivatable; factory setting: 30 s water flush after 21 h of last water flow activation.

Water flow time:

The water flow time of the faucet function can be set and disabled for electronic faucets, integrated into the CNX Water Management System or via Service APP, through the software parameter settings per faucet or faucet group. Setting range: 0 - 180 s, factory setting: 30 s.

Hygienic flush:

The hygienic flush can be set and disabled for electronic faucets, integrated into the CNX Water Management System or via Service APP, by the software parameter settings per faucet or faucet group as interval or calendar function. Factory setting: 30 s water flush after 12 h of last water flow activation.

Thermal disinfection:

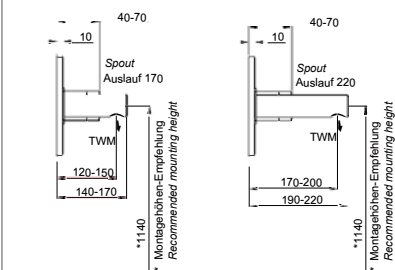
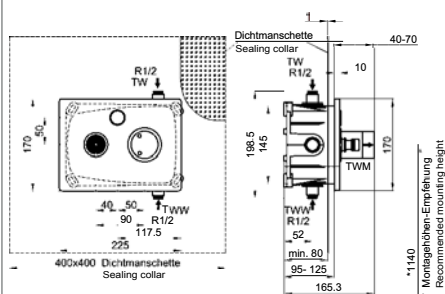
The thermal disinfection can be set as a calendar function in electronic faucets, integrated into the CNX Water Management System or via Service APP, by the software parameter setting per faucet group.

Cleaning stop:

The operation stop (cleaning stop), interruption of the faucet function can be set in electronic faucets, integrated into the CNX Water Management System or via Service APP, by the software parameter settings per faucet or faucet group as a calendar function.

CNX Water Management System:

Integration of the faucet into the software-controlled CNX Water Management System for the automatic depiction of hygiene, system and safety functions of electronic showers, lavatory faucets and urinal flush valves at the BUS level. Parametrisation of individual devices and device groups. Tamper-proof documentation of all operating, action and function messages.








* Example with spout 170 / 220 mm



Faucets electronic

CONGENIAL FIT concealed wall-mounted faucet, rectangular, piezo, chromed

<p>Technical data:</p> <p>Operating voltage (battery): 6 V/DC Operating voltage (mains): 12 V/DC Operating voltage (CNX): 30 V/DC Operating pressure: 1,5-5,0 bar Water temp. standard operation (max.): 70 °C Water temp. thermal disinfection: Short-term for therm. disinfection 80 °C Flow rate DN15: 0,1 l/s (flow rate controller) Flow rate during thermal disinfection DN15: 0,05 l/s (flow rate controller) Water flow time setting range: 3-180 s Water flow time factory setting: 30 s Hygienic flush setting range: 12, 24 or 72 h, can be deactivated via setting on piezo switch, other hygienic flush intervals can be set via Service Monitor Hygienic flush factory setting: 12 h after last water flow trigger, 30 s water flow time Electronic protection type: IP68</p>	<p>Required accessories:</p> <p>CONR5112 CONBOX FIT raw-assembling set CONO820170 / CONO820220 spout 170 / 220 mm Central mains power supply or CNX central operation unit</p>
----------------------------------------------------------------------------------------------------------------------------------------------------------------------------------------------------------------------------------------------------------------------------------------------------------------------------------------------------------------------------------------------------------------------------------------------------------------------------------------------------------------------------------------------------------------------------------------------------------------------------------------------------------------------------------------------------------------------------------------------------------------------------------------------------------------------------------------------------------------------------------------------------------------------------------------------------------------	-----------------------------------------------------------------------------------------------------------------------------------------------------------------------------------------------------------------

							
Version	Power supply	Hygienic flush	Mains CNX	Therm. disinfection (electronic)	Thermal disinfection CNX	Cleaning stop	Article number
Battery	6 V/DC Lithium battery waterproof encased	•					CONE7156211100
Mains	12 V/DC series wiring to connect to central mains power supply (see chapter accessories)	•					CONE7156211200
CNX	30 V/DC power supply to CNX central operating unit (see chapter accessories)	•	•			•	CONE7156211336
		•	•		•	•	CONE7156211360
Accessories	(see accessories for CONGENIAL FIT)	Spout 170 mm, chromed					CONO820170
		Spout 220 mm, chromed					CONO820220

Faucets electronic

CONGENIAL FIT concealed wall-mounted faucet, oval, piezo, stainless steel

NEW



CONGENIAL FIT concealed wall-mounted faucet, oval, with piezo switch, with thermostat, stainless steel - final assembly kit

Final assembly kit for electronic lavatory faucet, device designed as concealed wall-mounted faucet in nominal diameter DN15. With thermostatic mixing device for connection to cold and hot water. Application in new construction building and renovation in commercial, semi-public and public sanitary facilities.

- Concealed shower final assembly kit with oval cover plate
- Concealed mounting, robust double lock, multi sealing system with drainage system for condensation
- Cover plate: stainless steel 1.4301, all visible surfaces made of brushed stainless steel, dimensions (WxHxD): 280x180x10 mm
- Support frame for cover plate: implementing functional elements and thermostat incl. EPDM sealing rings
- Multifunction tool for maintenance work
- Adaptive multifunctional water path CONGENIAL with solenoid valve 6 V/DC ROBUST, bistable
- Upgrade and retrofitting functions
- Water path: dezincification resistant forged brass, as a high-quality thermostatic mixer, thermostat handle: chromed brass
- Visible components made of solid chromed brass, with safety stop
- Choice of temperature and setting range
- Integrated check valve in the bypass and check valve and strainer cartridges for water inlets
- All functional parts can be disassembled from the front during maintenance work without removing the valve body
- Electronic operation via piezo switch with start/stop function, piezo switch: colour ring red, rosette chromed
- The water flow time is easily adjustable in electronic faucets

Battery: 6 V Lithium waterproof encased, lifetime up to 4 years
 Mains: Power supply over 12 V/DC power supply for surface-mounted version in installation box of for DIN top-hat rail mounting
 Mains (CNX): Power supply over 30 V/DC power supply in the control panels 64 and 150

Hygienic flush (mains/battery):
 Hygienic flush (electronic): the hygienic flush can be carried out in electronic faucets by programming piezo button or the Service APP per shower; 12, 24 or 72 h, deactivatable; factory setting: 30 s water flush after 21 h of last water flow activation.

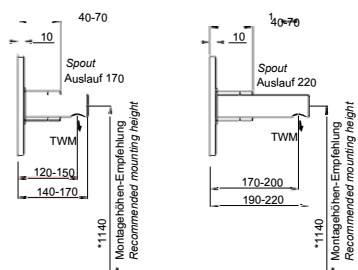
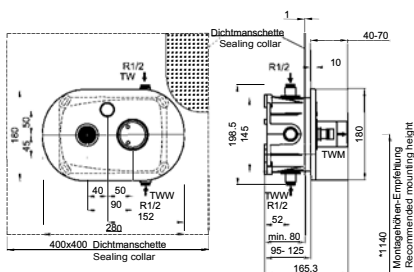
Water flow time:
 The water flow time of the faucet function can be set and disabled for electronic faucets, integrated into the CNX Water Management System or via Service APP, through the software parameter settings per faucet or faucet group. Setting range: 0 - 180 s, factory setting: 30 s.

Hygienic flush:
 The hygienic flush can be set and disabled for electronic faucets, integrated into the CNX Water Management System or via Service APP, by the software parameter settings per faucet or faucet group as interval or calendar function. Factory setting: 30 s water flush after 12 h of last water flow activation.

Thermal disinfection:
 The thermal disinfection can be set as a calendar function in electronic faucets, integrated into the CNX Water Management System or via Service APP, by the software parameter setting per faucet group.

Cleaning stop:
 The operation stop (cleaning stop), interruption of the faucet function can be set in electronic faucets, integrated into the CNX Water Management System or via Service APP, by the software parameter settings per faucet or faucet group as a calendar function.

CNX Water Management System:
 Integration of the faucet into the software-controlled CNX Water Management System for the automatic depiction of hygiene, system and safety functions of electronic showers, lavatory faucets and urinal flush valves at the BUS level. Parametrisation of individual devices and device groups. Tamper-proof documentation of all operating, action and function messages.








* Example with spout 170 / 220 mm



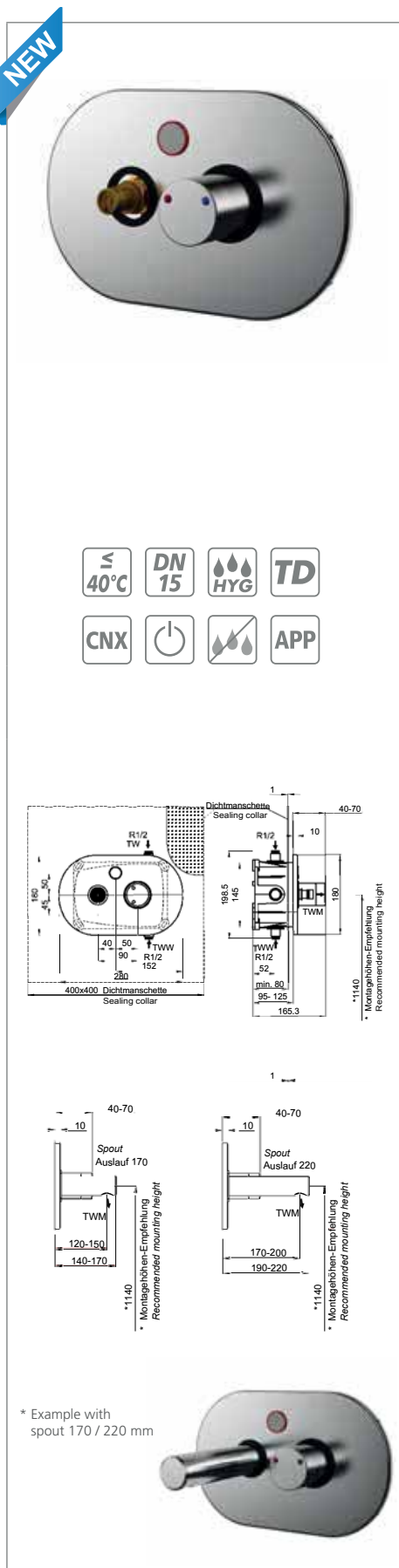
CONGENIAL FIT concealed wall-mounted faucet, oval, piezo, stainless steel

<p>Technical data:</p> <p>Operating voltage (battery): 6 V/DC Operating voltage (mains): 12 V/DC Operating voltage (CNX): 30 V/DC Operating pressure: 1,5-5,0 bar Water temp. standard operation (max.): 70 °C Water temp. thermal disinfection: Short-term for therm. disinfection 80 °C Flow rate DN15: 0,1 l/s (flow rate controller) Flow rate during thermal disinfection DN15: 0,05 l/s (flow rate controller) Water flow time setting range: 3-180 s Water flow time factory setting: 30 s Hygienic flush setting range: 12, 24 or 72 h, can be deactivated via setting on piezo switch, other hygienic flush intervals can be set via Service Monitor Hygienic flush factory setting: 12 h after last water flow trigger, 30 s water flow time Electronic protection type: IP68</p>	<p>Required accessories:</p> <p>CONR5112 CONBOX FIT raw-assembling set CONO820170 / CONO820220 spout 170 / 220 mm Central mains power supply or CNX central operation unit</p>
----------------------------------------------------------------------------------------------------------------------------------------------------------------------------------------------------------------------------------------------------------------------------------------------------------------------------------------------------------------------------------------------------------------------------------------------------------------------------------------------------------------------------------------------------------------------------------------------------------------------------------------------------------------------------------------------------------------------------------------------------------------------------------------------------------------------------------------------------------------------------------------------------------------------------------------------------------------	-----------------------------------------------------------------------------------------------------------------------------------------------------------------------------------------------------------------

							
Version	Power supply	Hygienic flush	Mains CNX	Therm. disinfection (electronic)	Thermal disinfection CNX	Cleaning stop	Article number
Battery	6 V/DC Lithium battery waterproof encased	•					CONE7117211100
Mains	12 V/DC series wiring to connect to central mains power supply (see chapter accessories)	•					CONE7117211200
CNX	30 V/DC power supply to CNX central operating unit (see chapter accessories)	•	•			•	CONE7117211336
		•	•		•	•	CONE7117211360
Accessories	(see accessories for CONGENIAL FIT)	Spout 170 mm, chromed					CONO820170
		Spout 220 mm, chromed					CONO820220

Faucets electronic

CONGENIAL FIT concealed wall-mounted faucet, oval, piezo, chromed



CONGENIAL FIT concealed wall-mounted faucet, oval, with piezo switch, with thermostat, chromed - final assembly kit

Final assembly kit for electronic lavatory faucet, device designed as concealed wall-mounted faucet in nominal diameter DN15. With thermostatic mixing device for connection to cold and hot water. Application in new construction building and renovation in commercial, semi-public and public sanitary facilities.

- Concealed shower final assembly kit with oval cover plate
- Concealed mounting, robust double lock, multi sealing system with drainage system for condensation
- Cover plate: stainless steel 1.4301, all visible surfaces made of stainless steel, chromed, dimensions (WxHxD): 280x180x10 mm
- Support frame for cover plate: implementing functional elements and thermostat incl. EPDM sealing rings
- Multifunction tool for maintenance work
- Adaptive multifunctional water path CONGENIAL with solenoid valve 6 V/DC ROBUST, bistable
- Upgrade and retrofitting functions
- Water path: dezincification resistant forged brass, as a high-quality thermostatic mixer, thermostat handle: chromed brass
- Visible components made of solid chromed brass, with safety stop
- Choice of temperature and setting range
- Integrated check valve in the bypass and check valve and strainer cartridges for water inlets
- All functional parts can be disassembled from the front during maintenance work without removing the valve body
- Electronic operation via piezo switch with start/stop function, piezo switch: colour ring red, rosette chromed
- The water flow time is easily adjustable in electronic faucets

Battery: 6 V Lithium waterproof encased, lifetime up to 4 years
 Mains: Power supply over 12 V/DC power supply for surface-mounted version in installation box of for DIN top-hat rail mounting
 Mains (CNX): Power supply over 30 V/DC power supply in the control panels 64 and 150

Hygienic flush (mains/battery):
 Hygienic flush (electronic): the hygienic flush can be carried out in electronic faucets by programming piezo button or the Service APP per shower; 12, 24 or 72 h, deactivatable; factory setting: 30 s water flush after 21 h of last water flow activation.

Water flow time:
 The water flow time of the faucet function can be set and disabled for electronic faucets, integrated into the CNX Water Management System or via Service APP, through the software parameter settings per faucet or faucet group. Setting range: 0 - 180 s, factory setting: 30 s.

Hygienic flush:
 The hygienic flush can be set and disabled for electronic faucets, integrated into the CNX Water Management System or via Service APP, by the software parameter settings per faucet or faucet group as interval or calendar function. Factory setting: 30 s water flush after 12 h of last water flow activation.






Thermal disinfection:
 The thermal disinfection can be set as a calendar function in electronic faucets, integrated into the CNX Water Management System or via Service APP, by the software parameter setting per faucet group.

Cleaning stop:
 The operation stop (cleaning stop), interruption of the faucet function can be set in electronic faucets, integrated into the CNX Water Management System or via Service APP, by the software parameter settings per faucet or faucet group as a calendar function.

CNX Water Management System:
 Integration of the faucet into the software-controlled CNX Water Management System for the automatic depiction of hygiene, system and safety functions of electronic showers, lavatory faucets and urinal flush valves at the BUS level. Parametrisation of individual devices and device groups. Tamper-proof documentation of all operating, action and function messages.

CONGENIAL FIT concealed wall-mounted faucet, oval, piezo, chromed

<p>Technical data:</p> <p>Operating voltage (battery): 6 V/DC Operating voltage (mains): 12 V/DC Operating voltage (CNX): 30 V/DC Operating pressure: 1,5-5,0 bar Water temp. standard operation (max.): 70 °C Water temp. thermal disinfection: Short-term for therm. disinfection 80 °C Flow rate DN15: 0,1 l/s (flow rate controller) Flow rate during thermal disinfection DN15: 0,05 l/s (flow rate controller) Water flow time setting range: 3-180 s Water flow time factory setting: 30 s Hygienic flush setting range: 12, 24 or 72 h, can be deactivated via setting on piezo switch, other hygienic flush intervals can be set via Service Monitor Hygienic flush factory setting: 12 h after last water flow trigger, 30 s water flow time Electronic protection type: IP68</p>	<p>Required accessories:</p> <p>CONR5112 CONBOX FIT raw-assembling set CONO820170 / CONO820220 spout 170 / 220 mm Central mains power supply or CNX central operation unit</p>
----------------------------------------------------------------------------------------------------------------------------------------------------------------------------------------------------------------------------------------------------------------------------------------------------------------------------------------------------------------------------------------------------------------------------------------------------------------------------------------------------------------------------------------------------------------------------------------------------------------------------------------------------------------------------------------------------------------------------------------------------------------------------------------------------------------------------------------------------------------------------------------------------------------------------------------------------------------	-----------------------------------------------------------------------------------------------------------------------------------------------------------------------------------------------------------------

							
Version	Power supply	Hygienic flush	Mains CNX	Therm. disinfection (electronic)	Thermal disinfection CNX	Cleaning stop	Article number
Battery	6 V/DC Lithium battery waterproof encased	•					CONE7157211100
Mains	12 V/DC series wiring to connect to central mains power supply (see chapter accessories)	•					CONE7157211200
CNX	30 V/DC power supply to CNX central operating unit (see chapter accessories)	•	•			•	CONE7157211336
		•	•		•	•	CONE7157211360
Accessories	(see accessories for CONGENIAL FIT)	Spout 170 mm, chromed					CONO820170
		Spout 220 mm, chromed					CONO820220

Faucets electronic

Accessories for CONGENIAL FIT concealed wall-mounted faucet

NEW



CONBOX FIT Raw-assembling set for concealed wall-mounted faucets, thermostat, DN15

Raw-assembling set for electronic wall-mounted faucets based on the adaptive multifunctional water path CONGENIAL, with thermostat, designed as faucet in nominal width DN15. Application area in new construction and renovation in public, semi-public and commercial sanitary facilities.


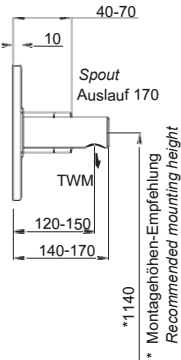
Consisting of:


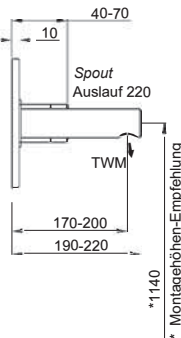
- Concealed box CONBOX FIT
- Recessed enclosure: ABS, dimensions (HxWxD min.) 216x157x127 mm, self-supporting
- Fastener brackets for mounting material with max. diameter 6 mm
- condensate drain slope, sealed and sound-insulated brass entrances and exits
- Inlet with shut-off valves R 1/2
- Mounting depth with final assembly set: 85-112 mm
- Flushing piece: ABS, waterless and hygienic tested for leakage
- Protective plug: EPS
- Gasket ring: PE, dimensions (WxH) 400x400 mm, with expansion zone

Description	Type	Article number
CONBOX FIT Raw-assembling set	for CONGENIAL FIT concealed wall-mounted faucet	CONR5112

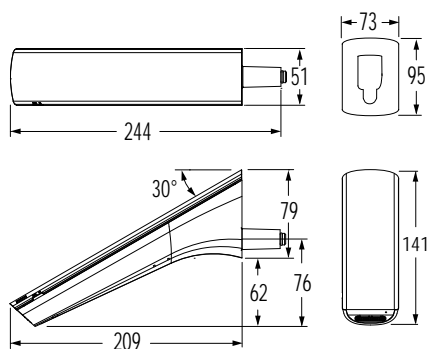
Faucets
electronic

Accessories for CONGENIAL FIT concealed wall-mounted faucet

		<p>Spout 170 mm, chromed</p> <p>Spout 170 mm for CONGENIAL FIT concealed wall-mounted faucet and CONGENIAL multiple washing system.</p> <ul style="list-style-type: none"> Length: 170 mm Diameter: 38 mm Material: chromed brass Flow controller: 6 l
Description	Length	Article number
Spout 170 mm	170 mm	CON0820170

		<p>Spout 220 mm, chromed</p> <p>Spout 220 mm for CONGENIAL FIT concealed wall-mounted faucet and CONGENIAL multiple washing system.</p> <ul style="list-style-type: none"> Length: 220 mm Diameter: 38 mm Material: chromed brass Flow controller: 6 l
Description	Length	Article number
Spout 220 mm	220 mm	CON0820220

ultra concealed wall-mounted faucet GW20



ultra concealed wall-mounted faucet GW20, with IR sensor, without temperature-mixing (for cold or premixed water), chromed - final installation set

Touchless, electronically controlled lavatory faucet:

- Sturdy metal housing
- Dual infrared sensors (with automatic setting feature), microprocessor
- Reliable solenoid valve ROBUST (minimal level of water pressure surge)
- Vandal-resistant aerator (replaceable with integrated tool)
- Built-in filter
- TwistStop: integrated automatic shut-off for facilitate replacing or cleaning the filter
- Strainer cleaning (no shut-off required)
- One Tool Service / all system parts accessible from above
- 12 or 24-hour hygienic flush activatable with Touch
- Integrated battery unit for VARIO connect version
- Battery version is prepared for conversion to Mains supply
- Automatic energy saving function (solar) and safety shutdown
- Installation in combination with ultra shell set U3U (not included)
- Compatible with Service monitor: control of stored operational data, settings and control functions

Battery: 6 V Lithium CRP2; life time up to 4 years
VARIOconnect: For single and multiple power supply and data connection (Connection CNX, Service APP and Service Monitor - see accessories)
Solar: Photovoltaic cell in combination with 4x1,5 V Alkaline AA batteries (backup batteries) life time up to 8 years


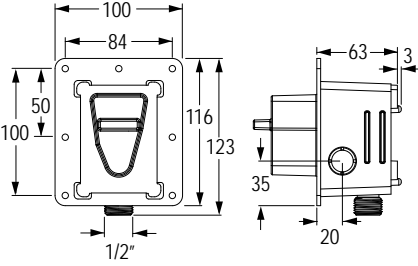
Operating pressure: 0,3-10 bar
Flow rate: Approx. 6 l/min (3 bar)
Water temperature (max.): 80 °C
Aerator: Aerator RC
Connection: G 1/2
Built-in filter: 0,5 mm mesh size
Sensor sensitivity: Automatic self-adapting sensor technology
Follow-up time: 1 s pre-set (adjustable with Touch 0-10 s)
Continuous water flow and hygienic flush time: 2 min pre-set (adjustable with Touch 0,5-20 min)
Temporary-off: 2 min (fixed)
Engineering standards: DIN EN 200; CE


Required accessory: 220.060.00 ultra shell set U2U


Optional: Valve unit with multi laminar spray head 2 l/min (see accessories)

Power supply	Colour	Article number
Battery	Chromed	164.040.11
VARIOconnect	Chromed	164.056.11
Solar	Chromed	164.048.11


Accessories for ultra concealed wall-mounted faucet GW20


		<p>Shell set U3U, for concealed installation of wall-mounted lavatory faucets GW20</p> <ul style="list-style-type: none"> • Concealed housing, stop valve and protective cover • Valve unit with integrated shut-off (TwistStop) • Flush connector
Description	Type	Article number
ultra shell set U3U	Shell set with stop valve and flush connector	220.060.00

	<p>Valve unit for GW20 with multi laminar spray head (2 l/min)</p> <p>Set consisting of:</p> <ul style="list-style-type: none"> • Valve unit (green) • Solenoid valve • Built-in filter • Multi laminar spray head with flow from 2 l/min • Changing tool for the multi laminar spray head 	
Description	Type	Article number
Valve unit with multi laminar spray head (2 l/min)	For concealed ultra wall-mounted lavatory faucets GW20	577.076.00

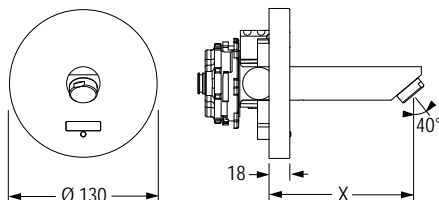
	<p>Valve unit for GW20 with aerator (6 l/min)</p> <p>Set consisting of:</p> <ul style="list-style-type: none"> • Valve unit (blue) • Solenoid valve • Built-in filter • Aerator with flow from 6 l/min • Changing tool for the spray regulator 	
Description	Type	Article number
Valve unit for GW20 with aerator (6 l/min)	For concealed ultra wall-mounted lavatory faucets GW20	577.077.00

Accessories for ultra concealed wall-mounted faucet GW20

	<p>Multi laminar spray head (2 l/min)</p> <ul style="list-style-type: none"> • Multi laminar spray head with flow from 2 l/min • Changing tool for the multi laminar spray head 	
Description	Type	Article number
Multi laminar spray head (2 l/min)	Suitable for ultra faucets with 2 l/min	391.044.00

	<p>Aerator (6 l/min)</p> <ul style="list-style-type: none"> • Aerator with flow from 6 l/min • Changing tool for the aerator 	
Description	Type	Article number
Aerator (6 l/min)	Suitable for ultra faucets with 6 l/min valve unit	391.015.00
Laminar-Aerator (6 l/min)	Suitable for ultra faucets with 6 l/min valve unit	391.045.00

lino concealed wall-mounted faucet WV20



lino concealed wall-mounted faucet WV20, with IR sensor, without temperature -mixing (for cold or premixed water), chromed - final installation set

Touchless, electronically controlled lavatory faucet for flush mounting:

- Sturdy version, front plate and spout made of metal, chromed
- Reliable solenoid valve ROBUST (minimal level of water pressure surge)
- Dual infrared sensors (with automatic setting feature), microprocessor
- Check valve and built-in filter
- Temporary-off (cleaning) and continuous water flow time (filling of basin) activated by Click-plus
- Continuous water flow time and hygienic flush time adjustable with function key
- Follow-up time and sensor sensitivity adjustable with function key
- 12, 24 or 48-hour hygienic flush activatable with function key
- Easy installation in combination with shell set HANSAVAROX basic unit U3V (not included)
- Compatible with CNX, Service APP and Service Monitor: control of stored operational data, settings and control functions


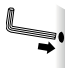

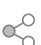
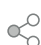
Click: Recessed function key - without additional functions
 Click-plus: Protruding function key Click-plus (continuous-on, temporary-off)

Spout (x): 120 mm / 170 mm / 220 mm
 Battery: 6 V Lithium CRP2 - commercial; life time up to 4 years
 VARIOconnect: For single and multiple power supply and data connection (Connection CNX, Service APP and Service Monitor - see accessories)

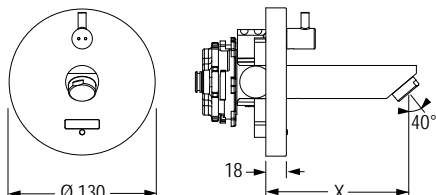
Operating pressure: 0,3-10 bar
 Flow rate: Approx. 6 l/min / 1,6 gpm (3 bar)
 Water temperature (max.): 80 °C
 Aerator: Economic aerator, CASCADE (self-cleaning)
 Built-in filter: 0,3 mm mesh size
 Sensor sensitivity: Automatic self-adapting sensor technology
 Follow-up time: 1 s pre-set (adjustable with function key 0-10 s)
 Continuous water flow and hygienic flush time: 2 min pre-set (adjustable with function key 0,5-20 min)
 Temporary-off: 2 min (fixed)
 Engineering standards: DIN EN 200; Noise class I; C €

Required accessory: 220.027.00 shell set HANSAVAROX U3V

Note: When integrated into the CNX Water Management System, the CNX Converter 6 V must be ordered separately.
 When using the Service APP, the BLE Converter must be ordered separately.

Versions		 Function key Click-plus	 Function key Click
Power supply	Spout (x)	Article number	Article number
 Battery	120 mm	120.311.11	120.331.11
	170 mm	120.310.11	120.330.11
	220 mm	120.312.11	120.332.11
 VARIOconnect 	120 mm	120.321.11	120.341.11
	170 mm	120.320.11	120.340.11
	220 mm	120.322.11	120.342.11

lino concealed wall-mounted faucet WV10



lino concealed wall-mounted faucet WV10, with IR sensor, with temperature-mixing, chromed - final installation set

Touchless, electronically controlled lavatory faucet for flush mounting:

- Sturdy version, front plate and spout made of metal, chromed
- Reliable solenoid valve ROBUST (minimal level of water pressure surge)
- Dual infrared sensors (with automatic setting feature), microprocessor
- Check valves and built-in filters
- Adjustable hot water limitation (mechanically)
- Temperature adjustable
- Temporary-off (cleaning) and continuous water flow time (filling of basin) activated by Click-plus
- Continuous water flow time and hygienic flush time adjustable with function key
- Follow-up time and sensor sensitivity adjustable with function key
- 12, 24 or 48-hour hygienic flush activatable with Click
- Easy installation in combination with shell set HANSAVAROX basic unit U3V (not included)
- Compatible with CNX, Service APP and Service Monitor: control of stored operational data, settings and control functions

Click: Recessed function key - without additional functions
 Click-plus: Protruding function key Click-plus (continuous-on, temporary-off)


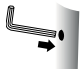


Spout (x): 120 mm / 170 mm / 220 mm
 Battery: 6 V Lithium CRP2 - commercial; life time up to 4 years
 VARIOconnect: For single and multiple power supply and data connection (Connection CNX, Service APP and Service Monitor - see accessories)

Operating pressure: 0,3-10 bar
 Flow rate: Approx. 6 l/min / 1,6 gpm (3 bar)
 Water temperature (max.): 80 °C
 Aerator: Economic aerator, CASCADE (self-cleaning)
 Built-in filters: 0,3 mm mesh size
 Sensor sensitivity: Automatic self-adapting sensor technology
 Follow-up time: 1 s pre-set (adjustable with function key 0-10 s)
 Continuous water flow and hygienic flush time: 2 min pre-set (adjustable with function key 0,5-20 min)
 Temporary-off: 2 min (fixed)
 Engineering standards: DIN EN 200; Noise class I; CE


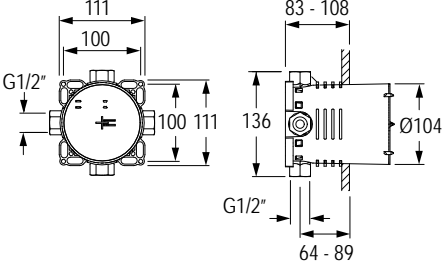
Required accessory: 220.027.00 shell set HANSAVAROX U3V


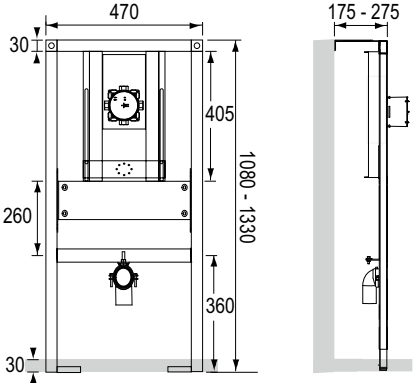
Note: When integrated into the CNX Water Management System, the CNX Converter 6 V must be ordered separately.

When using the Service APP, the BLE Converter must be ordered separately.

Versions		 Function key Click-plus	 Function key Click
Power supply	Spout (x)	Article number	Article number
 Battery	120 mm	120.471.11	120.371.11
	170 mm	120.470.11	120.370.11
	220 mm	120.472.11	120.372.11
 VARIOconnect	120 mm	120.481.11	120.381.11
	170 mm	120.480.11	120.380.11
	220 mm	120.482.11	120.382.11

Accessories lino concealed wall-mounted faucet WV10 / WV20

		<p>HANSAVAROX basic unit U3V, compact-solution, DN15 (shell set)</p> <p>VAROX basic unit, compact-solution, DN15 flush-mounted-body:</p> <ul style="list-style-type: none"> • Depth of installation: 83-108 mm • Connection device: low-dezincifying brass (MS 63) • Installation box with protection cover made of plastic • Gasket ring • Suitable for drywall installation • Multifix-fastener system with G 1/2 connections (1 closing plug included) • Built-in special B-Lock leakage test plug • Flushing according to DIN 1988 with B-Lock leakage test plug • Backflow prevention according to DIN EN1717 <p>Engineering standards: CE</p>
Description	Type	Article number
HANSAVAROX basic unit U3V	Shell set without stop valve	220.027.00

			<p>lino installation kit U2V</p> <p>for concealed installation of wall-mounted lavatory faucets WV10/WV20 (pre-installation unit)</p> <ul style="list-style-type: none"> • For installation in a partition wall in accordance with DIN 18183, or can be used in conjunction with wall unit (accessory) as single element in a pre-wall installation. • Galvanized, self-supporting and acoustically decoupled structural steel frame • Fastening plate for variable washbasin mounting • Pivoting HT flush 90° pipe DN 50 • Mounting accessories for element and washbasin • Adjustable footrests 0-280 mm • Concealed housing and protective cover • Suitable for all standard washbasins • VAROX basic unit, compact-solution without stop valve • Depth of installation: 83 - 108 mm • Multifix-fastener system with G1/2" connections (closing plug included) • Built-in special B-Lock leakage test plug <p>Engineering standards: CE</p>
Description	Material	Type	Article number
Installation kit U2V	Galvanized steel frame, varox basic unit, protection cover	Without stop valve	220.030.01
Wall-mounting kit for drywall installation	Plastic/metal		200.031.00

iQ concealed wall-mounted faucet A50



iQ concealed wall-mounted faucet A50, with IR sensor, without temperature-mixing (for cold or premixed water), stainless-steel - final installation set

Touchless, electronically controlled faucet for flush mounting:

- Sturdy version, brushed stainless-steel front cover and spout
- Reliable solenoid valve ROBUST (minimal level of water pressure surge) and economic aerator
- Dual infrared sensors (with automatic setting feature), microprocessor
- Temporary-off (cleaning) and continuous water flow time (filling of basin) activated by Click-plus
- Continuous water flow with Click-plus adjustable
- Follow-up time and sensor sensitivity adjustable with function key
- 12, 24 or 48-hour hygienic flush adjustable with Click
- Easy installation in combination with shell set U3A (not included)
- Compatible with Service Monitor: control of stored operational data, settings and control functions

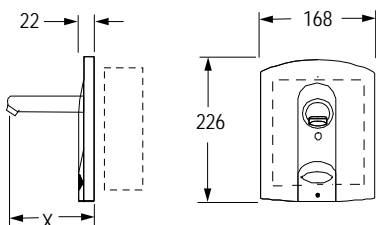
Click: Recessed function key - without additional functions
 Click-plus: Protruding function key Click-plus (continuous-on, temporary-off)

Spout (x): 120 mm / 170 mm / 220 mm
 Battery: 6 V Lithium CRP2 - commercial; life time up to 4 years
 VARIOconnect: For single and multiple power supply and data connection (Connection CNX, Service APP and Service Monitor - see accessories)


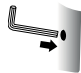



Operating pressure: 0,3-10 bar
 Flow rate: Approx. 6 l/min / 1,6 gpm (3 bar)
 Water temperature (max.): 80 °C
 Aerator: Economic aerator, CASCADE (self-cleaning)
 Built-in filter: 0,5 mm mesh size
 Sensor sensitivity: Automatic self-adapting sensor technology
 Follow-up time: 1 s pre-set (adjustable with function key 0-10 s)
 Continuous water flow and hygienic flush time: 2 min pre-set (adjustable with function key 0,5-20 min)
 Temporary-off: 2 min (fixed)
 Engineering standards: DIN EN 200; Noise class I; CE

Required accessory: 200.027.00 shell set U3A


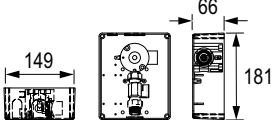
Note: When using the Service APP, the BLE Converter must be ordered separately.



Faucets electronic

Versions		 Function key Click-plus	 Function key Click
Power supply	Spout (x)	Article number	Article number
 Battery	120 mm	100.311.00	100.331.00
	170 mm	100.310.00	100.330.00
	220 mm	100.312.00	100.332.00
 VARIOconnect 	120 mm	100.321.00	100.341.00
	170 mm	100.320.00	100.340.00
	220 mm	100.322.00	100.342.00

Accessories iQ concealed wall-mounted faucet A50

		<p>Shell set U3A, for concealed wall-mounted faucet A50</p> <ul style="list-style-type: none"> • Concealed housing, stop valve and protective cover • Valve body, stop valve (3/4 connections) and mounting plate • Solenoid valve included
Description	Type	Article number
Shell set U3A	Shell set with stop valve	200.027.00

CONBASE exposed wall-mounted faucet, IR sensor, without mixing, connection from top

NEW



CONBASE exposed wall-mounted faucet, IR sensor, without mixing

Touchless, electronically controlled exposed wall-mounted faucet.

- Connection from top
- For connection to cold or premixed water
- Without mixing
- Compatible with CNX and Service APP: control of stored operational data, settings and control functions

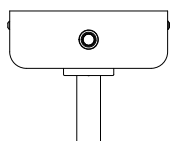
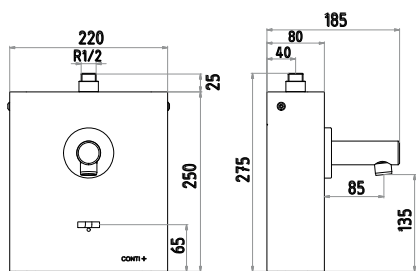
Power supply (battery):	6 V/DC
Power supply (mains):	12 V/DC
Operating pressure:	1,5-5,0 bar
Flow rate:	6 l/min (3 bar)
Water temperature (max.):	70 °C
Water run time setting range:	3-180 s
Water run time factory setting:	30 s
Hygienic flush factory setting:	2 min pre-set (adjustable with Click 0,5-20 min)
Connection thread:	R 1/2l

Dimensions (WxHxD):	220x250x185 mm
Spout height:	135 mm
Projection:	165 mm

Option*: spout in stainless steel V4A

Note: When integrated into the CNX Water Management System, the CNX Converter 6 V must be ordered separately.

When using the Service APP, the BLE Converter must be ordered separately.



* Example with spout in stainless steel V4A



Power supply	Projection	Colour	Article number
Battery	165 mm	brushed stainless steel	CONE3518178100
Main power supply	165 mm	brushed stainless steel	CONE3518178200

CONBASE exposed wall-mounted faucet, IR sensor, without mixing, connection from back



CONBASE exposed wall-mounted faucet, IR sensor, without mixing

Touchless, electronically controlled exposed wall-mounted faucet.

- Connection from back
- For connection to cold or premixed water
- Without mixing
- Compatible with CNX and Service APP: control of stored operational data, settings and control functions

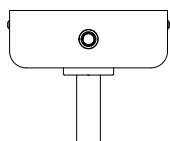
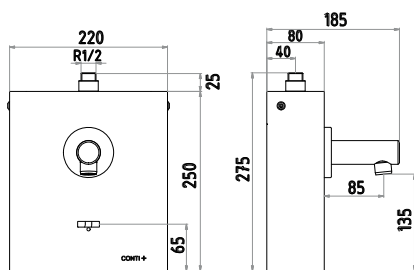
Power supply (battery):	6 V/DC
Power supply (mains):	12 V/DC
Operating pressure:	1,5-5,0 bar
Flow rate:	6 l/min (3 bar)
Water temperature (max.):	70 °C
Water run time setting range:	3-180 s
Water run time factory setting:	30 s
Hygienic flush factory setting:	2 min pre-set (adjustable with Click 0,5-20 min)
Connection thread:	R 1/2

Dimensions (WxHxD):	220x250x185 mm
Spout height:	135 mm
Projection:	165 mm

Option*: spout in stainless steel V4A

Note: When integrated into the CNX Water Management System, the CNX Converter 6 V must be ordered separately.

When using the Service APP, the BLE Converter must be ordered separately.



* Example with spout in stainless steel V4A



Power supply	Projection	Colour	Article number
Battery	165 mm	brushed stainless steel	CONE3519178100
Main power supply	165 mm	brushed stainless steel	CONE3519178200

Faucets electronic

CONBASE exposed wall-mounted faucet, IR sensor, without mixing, connection from top

NEW



CONBASE exposed wall-mounted faucet, IR sensor, without mixing, spout 225 mm

Touchless, electronically controlled exposed wall-mounted faucet.

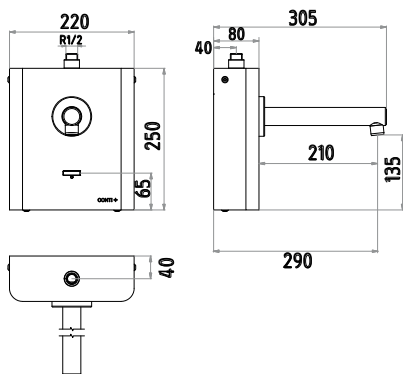
- Connection from top
- For connection to cold or premixed water
- Without mixing
- Compatible with CNX and Service APP: control of stored operational data, settings and control functions

Power supply (battery): 6 V/DC
 Power supply (mains): 12 V/DC
 Operating pressure: 1,5-5,0 bar
 Flow rate: 6 l/min (3 bar)
 Water temperature (max.): 70 °C
 Water run time setting range: 3-180 s
 Water run time factory setting: 30 s
 Hygienic flush factory setting: 2 min pre-set (adjustable with Click 0,5-20 min)
 Connection thread: R 1/2

Dimensions (WxHxD): 220x250x305 mm
 Spout height: 135 mm
 Projection: 290 mm

Note: When integrated into the CNX Water Management System, the CNX Converter 6 V must be ordered separately.

When using the Service APP, the BLE Converter must be ordered separately.



Faucets electronic

Power supply	Projection	Colour	Article number
Battery	290 mm	brushed stainless steel	CONE3518178120
Main power supply	290 mm	brushed stainless steel	CONE3518178220

CONBASE exposed wall-mounted faucet, IR sensor, without mixing, connection from back

NEW



CONBASE exposed wall-mounted faucet, IR sensor, without mixing, spout 225 mm

Touchless, electronically controlled exposed wall-mounted faucet.

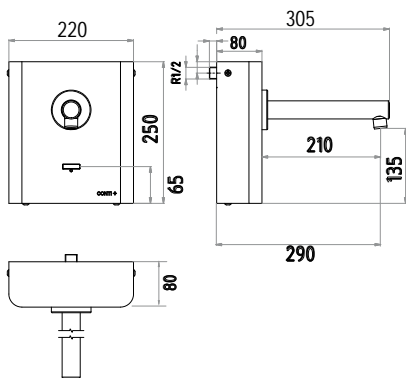
- Connection from top
- For connection to cold or premixed water
- Without mixing
- Compatible with CNX and Service APP: control of stored operational data, settings and control functions

Power supply (battery): 6 V/DC
 Power supply (mains): 12 V/DC
 Operating pressure: 1,5-5,0 bar
 Flow rate: 6 l/min (3 bar)
 Water temperature (max.): 70 °C
 Water run time setting range: 3-180 s
 Water run time factory setting: 30 s
 Hygienic flush factory setting: 2 min pre-set (adjustable with Click 0,5-20 min)
 Connection thread: R 1/2

Dimensions (WxHxD): 220x250x305 mm
 Spout height: 135 mm
 Projection: 290 mm

Note: When integrated into the CNX Water Management System, the CNX Converter 6 V must be ordered separately.

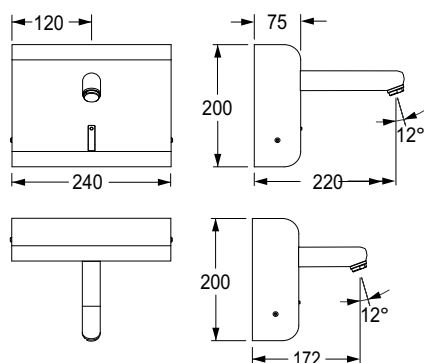
When using the Service APP, the BLE Converter must be ordered separately.



Power supply	Projection	Colour	Article number
Battery	290 mm	brushed stainless steel	CONE3519178120
Main power supply	290 mm	brushed stainless steel	CONE3519178220

Faucets
electronic

lino exposed wall-mounted faucet K20



lino exposed wall-mounted faucet K20, with IR sensor, without temperature-mixing (for cold or premixed water), stainless-steel

Touchless, electronically controlled wall-mounted faucet for surface installation:

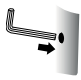


- Sturdy stainless-steel housing with stiff spout (not pivotal)
- Infrared sensors with automatic setting feature, microprocessor
- Reliable solenoid valve ROBUST (minimal level of water pressure surge) and economic aerator
- Cold water supply connection with flexible high-pressure hose, built-in filter
- Temporary-off (cleaning) and continuous water flow time (filling of basin) activated by Click
- Continuous water flow time and hygienic flush time adjustable with function key
- Follow-up time and sensor sensitivity adjustable with function key
- 12, 24 or 48-hour hygienic flush activatable with function key
- Installation with wall-mounting frame, opens to the front
- Compatible with CNX, Service APP and Service Monitor: control of stored operational data, settings and control functions

Click: Recessed function key - without additional functions

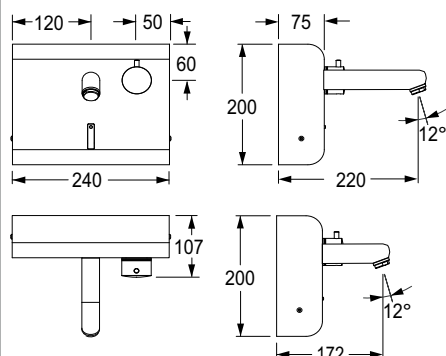
Spout: 172 mm / 220 mm
 Battery: 6 V Lithium CRP2 - commercial; life time up to 4 years
 Mains supply: Plug-in transformer 110-240 V 50-60 Hz / 6 V

Operating pressure: 0,3-10 bar
 Flow rate: Approx. 6,5 l/min / 1,7 gpm (3 bar)
 Water temperature (max.): 80 °C
 Aerator: Economic aerator, CASCADE (self-cleaning)
 Flexible hose: 350 mm
 Angle valve connection: G 3/8
 Built-in filter: 0,5 mm mesh size
 Sensor sensitivity: Automatic self-adapting sensor technology
 Follow-up time: 1 s pre-set (adjustable with Touch 0-10 s)
 Continuous water flow and hygienic flush time: 2 min pre-set (adjustable with Touch 0,5-20 min)
 Temporary-off: 2 min (fixed)
 Engineering standards: DIN EN 200; Noise class I; CE

Note: When integrated into the CNX Water Management System, the CNX Converter 6 V must be ordered separately.
 When using the Service APP, the BLE Converter must be ordered separately.

Versions		 Function key Click	
Power supply	Spout (x)	Colour	Article number
 Battery	172 mm	stainless steel	110.230.00
	220 mm	stainless steel	110.230.01
 Mains supply	172 mm	stainless steel	110.240.00
	220 mm	stainless steel	110.240.01

lino exposed wall-mounted faucet K10



lino exposed wall-mounted faucet K10, with IR sensor, with temperature-mixing, stainless-steel

Touchless, electronically controlled wall-mounted faucet for surface installation

- Sturdy stainless-steel housing with stiff spout (not pivotal)
- Infrared sensors with automatic setting feature, microprocessor
- Reliable solenoid valve ROBUST (minimal level of water pressure surge) and economic aerator
- Hot and cold water supply connection with flexible hoses
- Check valves and built-in filters
- Temporary-off (cleaning) and continuous water flow time (filling of basin) activated by Click-plus
- Continuous water flow time and hygienic flush time adjustable with function key
- Follow-up time and sensor sensitivity adjustable with function key
- 12, 24 or 48-hour hygienic flush activatable with function key
- Installation with wall-mounting frame, opens to the front
- Compatible with CNX, Service APP and Service Monitor: control of stored operational data, settings and control functions

Click: Recessed function key - without additional functions
 Click-plus: Protruding function key Click-plus (continuous-on, temporary-off)


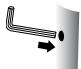


Spout: 172 mm / 220 mm
 Battery: 6 V Lithium CRP2 - commercial; life time up to 4 years
 Mains supply: Plug-in transformer 110-240 V 50-60 Hz / 6 V

Operating pressure: 0,3-10 bar
 Flow rate: Approx. 6,5 l/min / 1,7 gpm (3 bar)
 Water temperature (max.): 80 °C
 Aerator: Economic aerator, CASCADE (self-cleaning)
 Flexible hoses: 350 mm
 Angle valve connection: G 3/8
 Built-in filters: 0,5 mm mesh size
 Sensor sensitivity: Automatic self-adapting sensor technology
 Follow-up time: 1 s pre-set (adjustable with function key 0-10 s)
 Continuous water flow and hygienic flush time: 2 min pre-set (adjustable with function key 0,5-20 min)
 Temporary-off: 2 min (fixed)
 Engineering standards: DIN EN 200; Noise class I; CE

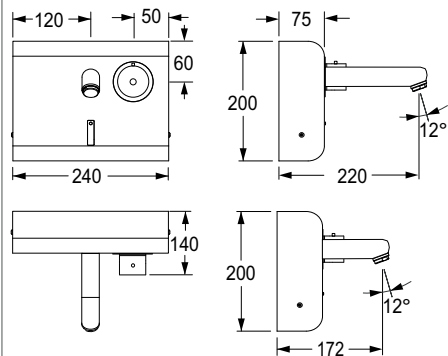
Optional: Conversion kit temperature handle with fixed temperature limit at 42 °C (see accessories)

Note: When integrated into the CNX Water Management System, the CNX Converter 6 V must be ordered separately.

When using the Service APP, the BLE Converter must be ordered separately.

Versions		 Function key Click-plus	 Function key Click
Power supply	Spout (x)	Article number	Article number
 Battery	172 mm	110.250.00	110.270.00
	220 mm	110.250.01	110.270.01
 Concealed mains power supply	172 mm	110.260.00	110.280.00
	220 mm	110.260.01	110.280.01

lino exposed wall-mounted faucet K30



lino exposed wall-mounted faucet K30, with IR sensor, with thermostat, stainless-steel

Touchless, electronically controlled faucet for surface installation:

- Sturdy stainless-steel housing with stiff spout (not pivotal)
- Infrared sensors with automatic setting feature, microprocessor
- Reliable solenoid valve ROBUST (minimal level of water pressure surge) and economic aerator
- Hot and cold water supply connection with flexible high-pressure hoses
- Check valves and built-in filters
- Temporary-off (cleaning) and continuous water flow time (filling of basin) activated by Click-plus
- Continuous water flow time and hygienic flush time adjustable with function key
- Follow-up time and sensor sensitivity adjustable with function key
- 12, 24 or 48-hour hygienic flush activatable with function key
- Installation with wall-mounting frame, opens to the front
- Compatible with CNX, Service APP and Service Monitor: control of stored operational data, settings and control functions

Click: Recessed function key - without additional function
 Click-plus: Protruding function key Click-plus (continuous-on, temporary-off)


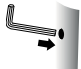


Spout: 172 mm / 220 mm
 Battery: 6 V Lithium CRP2 - commercial; life time up to 4 years
 Mains supply: Plug-in transformer 110-240V 50-60Hz / 6V

Operating pressure: 0,3-10 bar
 Flow rate: Approx. 6,5 l/min / 1,7 (3 bar)
 Water temperature (max.): 80 °C
 Aerator: Economic aerator, CASCADE (self-cleaning)
 Flexible hoses: 350 mm
 Angle valve connection: G 3/8
 Built-in filters: 0,5 mm mesh size
 Sensor sensitivity: Automatic self-adapting sensor technology
 Follow-up time: 1 s pre-set (adjustable with function key 0-10 s)
 Continuous water flow and hygienic flush time: 2 min pre-set (adjustable with function key 0,5-20 min)
 Temporary-off: 2 min (fixed)
 Engineering standards: DIN EN 200; Noise class I; CE

Optional: Conversion kit temperature handle with fixed temperature limit at 42 °C (see accessories)
 Optionally available with piezo pushbutton

Note: When integrated into the CNX Water Management System, the CNX Converter 6 V must be ordered separately.

When using the Service APP, the BLE Converter must be ordered separately.

Versions		 Function key Click-plus	 Function key Click
Power supply	Spout (x)	Article number	Article number
 Battery	172 mm	110.251.00	110.271.00
	220 mm	110.251.01	110.271.01
 Concealed mains power supply	172 mm	110.261.00	110.281.00
	220 mm	110.261.01	110.281.01

CONTI+

Robust, hygienic, touchless
start/stop function, chrome,
fixed alignment, clear shape
CONTI+ lino exposed
wall-mounted faucets



THE SOLUTION

CONTI+ offers hygienic solutions made of chrome and stainless steel, which are particularly suitable for sanitary areas, which are exposed to the highest hygiene standards.

CONTI+ electronic and mechanical lavatory and wall-mounted faucets inclusive sanitary equipment - best conditions for hospitals, sports facilities, etc.

lino exposed wall-mounted faucet W35



lino exposed wall-mounted faucet W35, with IR sensor, with thermostat, chromed

Touchless, electronically controlled wall-mounted faucet for surface installation:

- Sturdy version, faucet body made of brass, chromed
- Stiff spout and fixed sensor
- Dual infrared sensors (with automatic setting feature), microprocessor
- Reliable solenoid valve ROBUST (minimal level of water pressure surge) and economic aerator
- Temperature adjustable with thermostat-cartridge
- With anti-scalding and auto-thermic protection
- Temporary-off (cleaning) and continuous water flow time (filling of basin) activated by Click-plus
- Continuous water flow adjustable with Click
- Follow-up time and sensor sensitivity adjustable with function key
- 12, 24 or 48-hour hygienic flush activatable with Click
- Including S-connectors 3/4" and rosettes (lockable S-connector optional)
- Compatible with Service Monitor: control of stored operational data, settings and control functions

Battery: 6 V Lithium CRP2 - commercial; life time up to 4 years

Spout (x): 200 mm / 260 mm

Operating pressure: 0,3-10 bar

Flow rate: Approx. 5 l/min / 1,3 gpm (3bar)

Water temperature (max.): 80 °C

Aerator: Economic aerator, CASCADE (self-cleaning)

Built-in filters: 0,5 mm mesh size

Sensor sensitivity: Automatic self-adapting sensor technology

Follow-up time: 1 s pre-set (adjustable with Click 0-10 s)

Continuous water flow: 2 min pre-set (adjustable with Click 0,5-20 min)

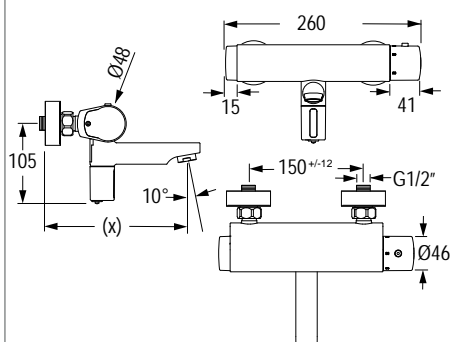
Hygienic flush time: Adjustable with Touch 3 sec.-20 min.; 2 min (fixed)


Temporary-off: 2 min (fixed)

Engineering standards: DIN EN 200; CE

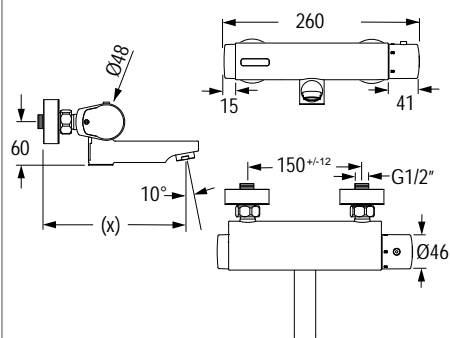
Optional:

Conversion kit temperature handle with fixed temperature limit at 42 °C (see accessories)



Power supply	Spout (x)	Colour	Article number
 Battery	200 mm	Chromed	110.305.11
	260 mm	Chromed	110.306.11

lino exposed wall-mounted faucet W45



lino exposed wall-mounted faucet W45, with touchless Start/Stop function, with thermostat, chromed


Electronically controlled wall-mounted faucet for surface installation with touchless start/stop function (close detection):

- Sturdy version, faucet body made of brass, chromed
- Stiff spout
- Dual infrared sensors (close detection), microprocessor
- Reliable solenoid valve ROBUST (minimal level of water pressure surge) and economic aerator
- Temperature adjustable with thermostat-cartridge
- With anti-scalding and auto-thermic protection
- Temporary-off (cleaning) and continuous water flow time (filling of basin) adjustable with Touch
- Continuous-on and hygienic flush time activated by Touch
- Water flow time, sensor sensitivity activated by Touch
- 12, 24 or 48-hour hygienic flush adjustable with Touch
- Including S-connectors 3/4" and rosettes (lockable S-connector optional)

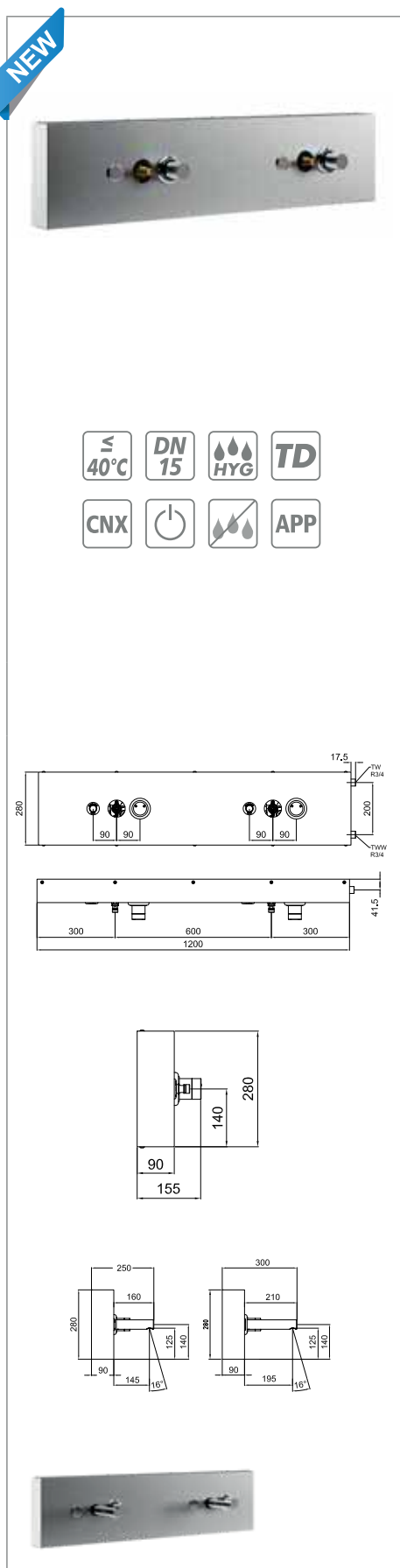
Battery: 6 V Lithium CRP2 - commercial; life time up to 4 years
 Spout (x): 200 mm / 260 mm

Operating pressure: 0,3-10 bar
 Flow rate: Approx. 5 l/min / 1,3 gpm (3 bar)
 Water temperature (max.): 80 °C
 Aerator: Economic aerator, CASCADE (self-cleaning)
 Built-in filters: 0,5 mm mesh size
 Water flow time: 7 s pre-set (adjustable with Touch 1-30 s)
 Continuous water flow and hygienic rinse time: 2 min pre-set (adjustable with Touch 0,5-20 min)
 Temporary-off: 2 min (fixed);
 Engineering standards: DIN EN 200; CE

Optional: Conversion kit temperature handle with fixed temperature limit at 42 °C (see accessories)
 S-connector with stop valve, for exposed wall-mounted faucets (see accessories)

Power supply	Spout (x)	Colour	Article number
 Battery	200 mm	Chromed	110.307.11
	260 mm	Chromed	110.308.11

CONGENIAL double faucet assembly kit, piezo switch, thermostat, stainless steel



CONGENIAL double faucet assembly kit for wash troughs, with piezo switch, with thermostat, stainless steel

Multiple washing system with two electronic wall-mounted faucets for wash troughs, device designed in nominal diameter DN15. With thermostatic mixing device for connection to cold and hot water. Application in new construction building and renovation in commercial, semi-public and public sanitary facilities.

- Multiple washing system with rectangular cover plate
- Cover plate: stainless steel 1.4301, all visible surfaces made of brushed stainless steel
- Dimensions (HxWxD): 280x1200x90 mm, distance between faucets: 600 mm
- Connecting line executed via flexible hoses
- Multifunction tool for maintenance work
- Adaptive multifunctional water path CONGENIAL with solenoid valve 6 V/DC ROBUST, bistable
- Upgrade and retrofitting functions
- Water path: dezincification resistant forged brass, as a high-quality thermostatic mixer, thermostat handle: chromed brass
- Visible components made of solid chromed brass, with safety stop
- Choice of temperature and setting range
- Integrated check valve in the bypass and check valve and strainer cartridges for water inlets
- All functional parts can be disassembled from the front during maintenance work without removing the water path
- Electronic operation via piezo switch with start/stop function, piezo switch: colour ring red, rosette chromed
- The water flow time is easily adjustable in electronic faucets

Mains: Power supply over 12 V/DC power supply for surface-mounted version in installation box of for DIN top-hat rail mounting
 Mains (CNX): Power supply over 30 V/DC power supply in the control panels 64 and 150

Hygienic flush (battery/mains):

Hygienic flush (electronic): the hygienic flush of an electronic faucet can be carried out by programming via the piezo switch or the Service APP per faucet; 12, 24 or 72 h, deactivatable; factory setting: 30 s water flush after 12 h of last water flow activation.

Water flow time:

The water flow time of the faucet function can be set and disabled for electronic faucets, integrated into the CNX Water Management System or via Service APP through the software parameter settings per faucet or faucet group. Setting range: 0 - 180 s, factory setting: 30 s.

Hygienic flush:

The hygienic flush can be set and disabled for electronic faucets, integrated into the CNX Water Management System or via Service APP, by the software parameter settings per faucet or faucet group as interval or calendar function. Factory setting: 30 s water flush after 12 h of last water flow activation.

Thermal disinfection:

The thermal disinfection can be set as a calendar function in electronic faucets, integrated into the CNX Water Management System, by the software parameter setting per faucet group.

Cleaning stop CNX:

The operation stop (cleaning stop), interruption of the faucet function can be set in electronic faucets, integrated into the CNX Water Management System or via Service APP, by the software parameter settings per faucet or faucet group as a calendar function.





CNX Water Management System:

Integration of the faucet into the software-controlled CNX Water Management System for the automatic depiction of hygiene, system and safety functions of electronic showers, lavatory faucets and urinal flush valves at the BUS level. Parametrisation of individual devices and device groups. Tamper-proof documentation of all operating, action and function messages.

Faucets electronic

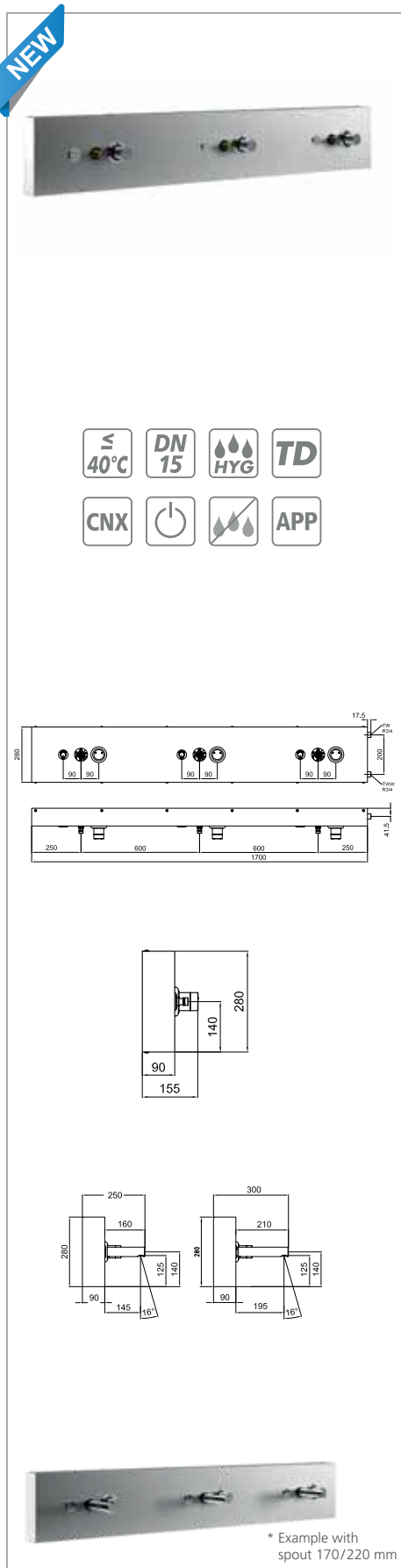
CONGENIAL double faucet assembly kit, piezo switch, thermostat, stainless steel

<p>Technical data:</p> <p>Operating voltage (mains): 12 V/DC Operating voltage (CNX): 30 V/DC Operating pressure: 1,5-5,0 bar Water temp. standard operation (max.): 70 °C Water temp. thermal disinfection: Short-term for therm. disinfection 80 °C Flow rate DN15: 0,1 l/s (flow rate controller) Flow rate during thermal disinfection DN15: 0,05 l/s (flow rate controller) Water flow time setting range: 3-180 s Water flow time factory setting: 30 s Hygienic flush setting range: 12, 24 or 72 h, can be deactivated via setting on piezo switch, other hygienic flush intervals can be set via Service Monitor Hygienic flush factory setting: 12 h after last water flow trigger, 30 s water flow time Electronic protection type: IP68</p>	<p>Required accessories:</p> <p>CONR5112 CONBOX FIT raw-assembling set CONO820170 / CONO820220 spout 170 / 220 mm Central mains power supply or CNX central operation unit</p>
---------------------------------------------------------------------------------------------------------------------------------------------------------------------------------------------------------------------------------------------------------------------------------------------------------------------------------------------------------------------------------------------------------------------------------------------------------------------------------------------------------------------------------------------------------------------------------------------------------------------------------------------------------------------------------------------------------------------------------------------------------------------------------------------------------------------------------------------------------------------------------------------------------------	-----------------------------------------------------------------------------------------------------------------------------------------------------------------------------------------------------------------

						
Version	Power supply	Hygienic flush	Mains CNX	Thermal disinfection CNX	Cleaning stop	Article number
Netz	12 V/DC series wiring to connect to central mains power supply (see chapter accessories)	•				CONE7312201200
CNX	30 V/DC power supply to CNX central operating unit (see chapter accessories)	•	•		•	CONE7312201336
		•	•	•	•	CONE7312201360
Accessories	see accessories for CONGENIAL multiple washing system	Spout 170 mm, chromed				CONO820170
		Spout 220 mm, chromed				CONO820220

Faucets electronic

CONGENIAL triple faucet assembly kit, piezo switch, thermostat, stainless steel



CONGENIAL triple faucet assembly kit for wash troughs, with piezo switch, with thermostat, stainless steel

Multiple washing system with three electronic wall-mounted faucets for wash troughs, device designed in nominal diameter DN15. With thermostatic mixing device for connection to cold and hot water. Application in new construction building and renovation in commercial, semi-public and public sanitary facilities.

- Multiple washing system with rectangular cover plate
- Cover plate: stainless steel 1.4301, all visible surfaces made of brushed stainless steel
- Dimensions (HxWxD): 280x1700x90 mm, distance between faucets: 600 mm
- Connecting line executed via flexible hoses
- Multifunction tool for maintenance work
- Adaptive multifunctional water path CONGENIAL with solenoid valve 6 V/DC ROBUST, bistable
- Upgrade and retrofitting functions
- Water path: dezincification resistant forged brass, as a high-quality thermostatic mixer, thermostat handle: chromed brass
- Visible components made of solid chromed brass, with safety stop
- Choice of temperature and setting range
- Integrated check valve in the bypass and check valve and strainer cartridges for water inlets
- All functional parts can be disassembled from the front during maintenance work without removing the water path
- Electronic operation via piezo switch with start/stop function, piezo switch: colour ring red, rosette chromed
- The water flow time is easily adjustable in electronic faucets

Mains: Power supply over 12 V/DC power supply for surface-mounted version in installation box of for DIN top-hat rail mounting
 Mains (CNX): Power supply over 30 V/DC power supply in the control panels 64 and 150

Hygienic flush (battery/mains):

Hygienic flush (electronic): the hygienic flush of an electronic faucet can be carried out by programming via the piezo switch or the Service APP per faucet; 12, 24 or 72 h, deactivatable; factory setting: 30 s water flush after 12 h of last water flow activation.

Water flow time:

The water flow time of the faucet function can be set and disabled for electronic faucets, integrated into the CNX Water Management System or via Service APP through the software parameter settings per faucet or faucet group. Setting range: 0 - 180 s, factory setting: 30 s.

Hygienic flush:

The hygienic flush can be set and disabled for electronic faucets, integrated into the CNX Water Management System or via Service APP, by the software parameter settings per faucet or faucet group as interval or calendar function. Factory setting: 30 s water flush after 12 h of last water flow activation.

Thermal disinfection:

The thermal disinfection can be set as a calendar function in electronic faucets, integrated into the CNX Water Management System, by the software parameter setting per faucet group.

Cleaning stop CNX:


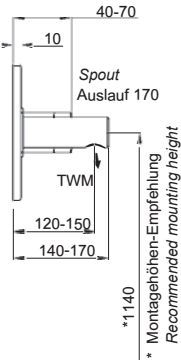
The operation stop (cleaning stop), interruption of the faucet function can be set in electronic faucets, integrated into the CNX Water Management System or via Service APP, by the software parameter settings per faucet or faucet group as a calendar function.


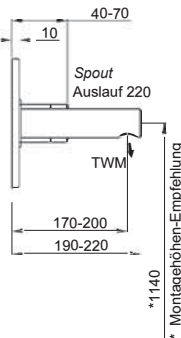
CNX Water Management System:

Integration of the faucet into the software-controlled CNX Water Management System for the automatic depiction of hygiene, system and safety functions of electronic showers, lavatory faucets and urinal flush valves at the BUS level. Parametrisation of individual devices and device groups. Tamper-proof documentation of all operating, action and function messages.

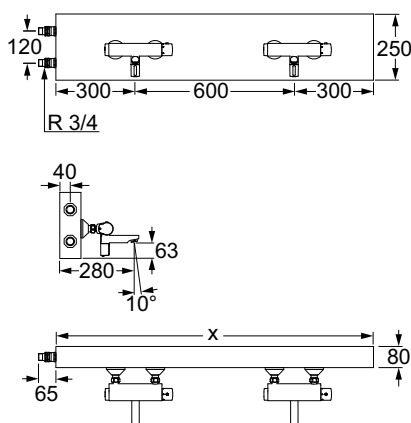
* Example with spout 170/220 mm

Accessories for CONGENIAL multiple washing system

		<p>Spout 170 mm, chromed</p> <p>Spout 170 mm for CONGENIAL FIT concealed wall-mounted faucet and CONGENIAL multiple washing system.</p> <ul style="list-style-type: none"> • Length: 170 mm • Diameter: 38 mm • Material: chromed brass • Flow controller: 6 l
<p>Description</p>	<p>Length</p>	<p>Article number</p>
<p>Spout 170 mm</p>	<p>170 mm</p>	<p>CON0820170</p>

		<p>Spout 220 mm, chromed</p> <p>Spout 220 mm for CONGENIAL FIT concealed wall-mounted faucet and CONGENIAL multiple washing system.</p> <ul style="list-style-type: none"> • Length: 220 mm • Diameter: 38 mm • Material: chromed brass • Flow controller: 6 l
<p>Description</p>	<p>Length</p>	<p>Article number</p>
<p>Spout 220 mm</p>	<p>220 mm</p>	<p>CON0820220</p>

lino multiple washing system W35



lino multiple washing system W35, with IR sensor, with thermostat, chromed

Pre-assembled multiple faucet assembly kit with touchless lino exposed wall-mounted faucets W35, chromed, distribution lines in a surface-mounted stainless steel distributor, for wall mounting.

- Sturdy version, valve body DZR-brass
- Stiff spout and fixed sensor
- Dual infrared sensors (with automatic setting feature), microprocessor
- Reliable solenoid valve ROBUST (minimal level of water pressure surge) and economic aerator
- Temperature adjustable (with reliable thermostatic cartridge)
- With anti-scalding and auto-thermic protection
- Temporary-off (cleaning) and continuous water flow time (filling of basin) activated by Click-plus
- Continuous water flow adjustable with Click
- Follow-up time and sensor sensitivity adjustable with function key
- 12, 24 or 48-hour hygienic flush activatable with Click
- Lockable s-connections
- Compatible with Service Monitor: control of stored operational data, settings and control functions

Battery: 6 V Lithium CRP2 - commercial; life time up to 4 years

Operating pressure: 0,3-10 bar

Flow rate: Approx. 4 l/min / 1 gpm (3 bar) per faucet

Water temperature (max.): 80 °C

Aerator: Economic aerator, cascade (self-cleaning)

Built-in filter: 0,5 mm mesh size

Sensor sensitivity: Automatic self-adapting sensor technology

Follow-up time: 1 s pre-set (adjustable with 0-10 s)

Continuous water flow: 2 min pre-set (adjustable with 0,5-20 min)

Hygienic flush time: Adjustable with 3 sec.-20 min.; 2 min (fixed)

Temporary-off: 2 min (fixed)

Engineering standards: DIN EN 200;

Spout: 280 mm /10 °C

Mounting height: 350 - 450 mm above washbasin / gully

Number of washing areas: 2 3 4 5 6

Width (X): 1200 1800 2400 3000 3600 mm

Dimensions (HxD): 250x80 mm

Fitting distance: 600 mm

Connection: R 3/4

Engineering standards: DIN EN 200; CE

Power supply	Spout	Faucet units	Article number
Battery	280 mm / 10°	2 piece	CONE7352218100
		3 piece	CONE7353218100
		4 piece	CONE7354218100
		5 piece	CONE7355218100
		6 piece	CONE7356218100



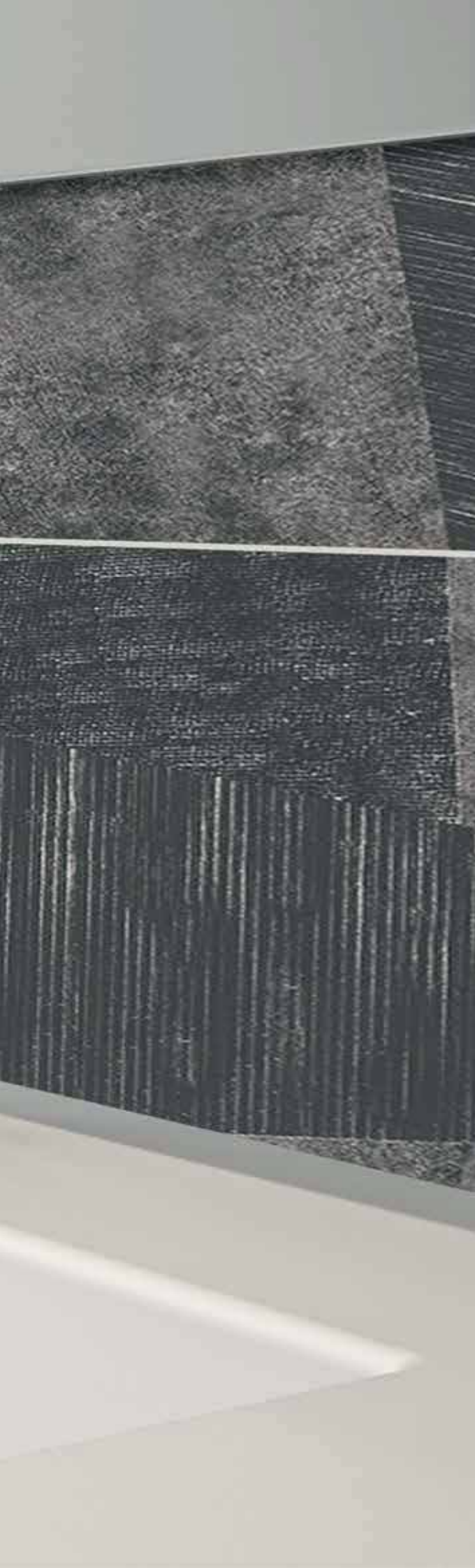
Mechanical faucets

Always ready for operation

CONTI+ CONWASH faucets, the ideal complement to the range of electronic faucets - robust, easy to operate and adapted to the needs of public sanitary facilities (e.g. vandalism).

CONTI+ CONMED faucets meet the special, hygienic and user-friendly requirements in the field of mechanical faucets in medical areas - permanent assurance of operational readiness - combined with simple elbow triggering via the long single-lever.

Mechanical self-closing faucets are the ideal complement to the electronic CONTI+ faucet range. Robust and easy to operate, especially safe with regard to vandalism - the mechanical self-closing tap is a reliable solution for public washrooms. At the push of a button, the water delivery starts and ends - in contrast to single-handed mixers - completely self-closing. Thanks to their demand-oriented operation, the self-closing taps save up to 55 % water compared to a single-lever mixer tap.



Mechanical faucets

Lavatory and wall-mounted faucets

lino SofTouch	302
CONWASH	306
CONMED	309

Thermostatic mixing valve

For mounting under the table.....	311
-----------------------------------	-----

lino SofTouch ST20, chromed, without mixing

NEW



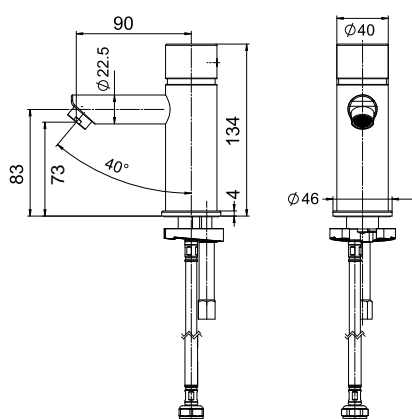
lino SofTouch ST20, chromed, without mixing

Hydraulic controlled self-closing faucet.

- For connection to cold or premixed water
- Depending on activating duration water run time could be adjusted (run time 12 ± 3 s at activating duration of 1 s)
- Reliable hydraulic cartridge
- Vandal-proof hydraulic cartridge due to limited actuation path of press button
- Casing and press button: stainless steel, chromed

Operating pressure: 0,5–10 bar
 Flow rate: 6 l/min (3 bar)
 Water temperature (max.): 80 °C
 Activation force (max.): 15 N (independent of water pressure)
 Flexible hoses: approx. 350 mm
 Angle valve connection: G 3/8
 Built-in filters: 0,5 mm mesh size

Jet angle: 40°
 Spout height: 83 mm
 Projection: 90 mm
 Standards: DIN EN200, EN 816; C€



Description

Spout projection

Colour

Article number

lino SofTouch ST20, without mixing

90 mm

Chromed

CONM8150104000

lino SofTouch ST20, stainless steel, without mixing

NEW



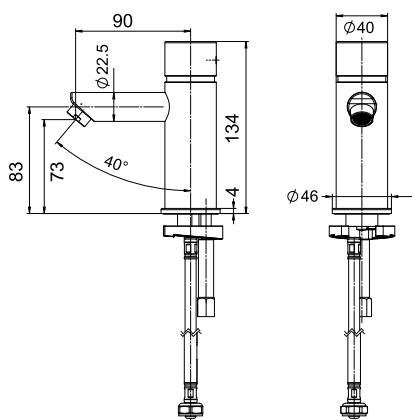
lino SofTouch ST20, stainless steel, without mixing

Hydraulic controlled self-closing faucet.

- For connection to cold or premixed water
- Depending on activating duration water run time could be adjusted (run time 12 ± 3 s at activating duration of 1 s)
- Reliable hydraulic cartridge
- Vandal-proof hydraulic cartridge due to limited actuation path of press button
- Casing and press button: stainless steel

Operating pressure: 0,5–10 bar
 Flow rate: 6 l/min (3 bar)
 Water temperature (max.): 80 °C
 Activation force (max.): 15 N (independent of water pressure)
 Flexible hoses: approx. 350 mm
 Angle valve connection: G 3/8
 Built-in filters: 0,5 mm mesh size

Jet angle: 40°
 Spout height: 83 mm
 Projection: 90 mm
 Standards: DIN EN200, EN 816; **CE**



Faucets
mechanical

Description	Spout projection	Colour	Article number
lino SofTouch ST20, without mixing	90 mm	Stainless steel	CONM8110104000

lino SofTouch ST10, chromed, with mixing

NEW



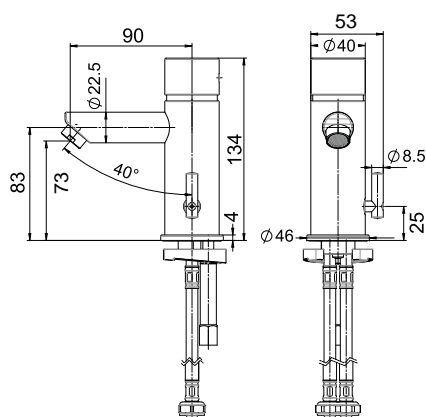
lino SofTouch ST10, chromed, with mixing

Hydraulic controlled self-closing faucet.

- For connection to hot and cold water
- Depending on activating duration water run time could be adjusted (run time 12 ± 3 s at activating duration of 1 s)
- Adjustable temperature
- Adjustable hot water fixation
- Reliable hydraulic cartridge
- Vandal-proof hydraulic cartridge due to limited actuation path of press button
- Casing and press button: stainless steel, chromed

Operating pressure: 0,5–10 bar
 Flow rate: 6 l/min (3 bar)
 Water temperature (max.): 80°C
 Activation force (max.): 15 N (independent of water pressure)
 Flexible hoses: approx. 350 mm
 Angle valve connection: G 3/8
 Built-in filters: 0,5 mm mesh size

Jet angle: 40°
 Spout height: 83 mm
 Projection: 90 mm
 Standards: DIN EN200, EN 816; CE



Description

Spout projection

Colour

Article number

lino SofTouch ST20, with mixing

90 mm

Chromed

CONM8150204000

lino SofTouch ST10, stainless steel, with mixing

NEW



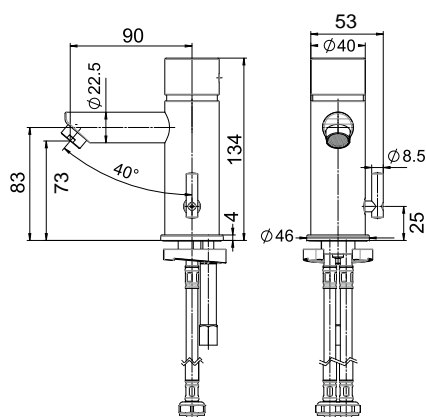
lino SofTouch ST10, stainless steel, with mixing

Hydraulic controlled self-closing faucet.

- For connection to hot and cold water
- Depending on activating duration water run time could be adjusted (run time 12 ± 3 s at activating duration of 1 s)
- Adjustable temperature
- Adjustable hot water fixation
- Reliable hydraulic cartridge
- Vandal-proof hydraulic cartridge due to limited actuation path of press button
- Casing and press button: stainless steel

Operating pressure: 0,5–10 bar
 Flow rate: 6 l/min (3 bar)
 Water temperature (max.): 80°C
 Activation force (max.): 15 N (independent of water pressure)
 Flexible hoses: approx. 350 mm
 Angle valve connection: G 3/8
 Built-in filters: 0,5 mm mesh size

Jet angle: 40°
 Spout height: 83 mm
 Projection: 90 mm
 Standards: DIN EN200, EN 816; CE



Description	Spout projection	Colour	Article number
lino SofTouch ST20, with mixing	90 mm	Stainless steel	CONM8110204000

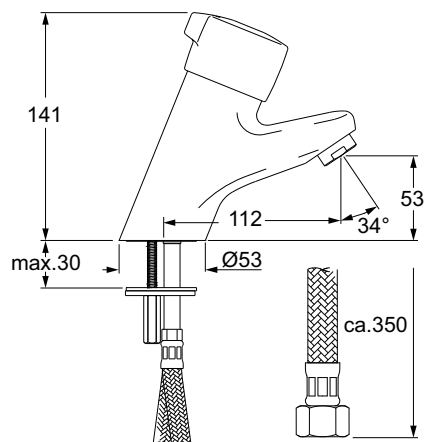
CONWASH self-closing lavatory faucet



CONWASH self-closing lavatory faucet, with temperature-mixing, chromed, DN15

- For connection to hot and cold water
- With flow limiter of warm water
- Intrinsically safe
- Housing and actuating element made of brass, chromed
- With hydraulic control
- With temperature mixing
- Self-cleaning system
- Adjustable water flow time
- Adjustable flow rate
- Aerator and flexible connection hoses 350 mm with integrated check valves and filter seals made of stainless steel

Operating pressure: 0,5 F 5,0 bar
 Flow rate: 3,0-4,8 l/min / 0,8-1,3 gpm adjustable (3 bar)
 *4,8-15,6 l/min / 1,3-4,1 gpm adjustable (3 bar)
 Water temperature (max.): 60 °C (brief up to 75 °C for thermal disinfection)
 Aerator: Hygienic aerator
 Flexible hoses: Flexible connection hoses with stainless steel 350 mm non-return valves and filter gaskets of stainless steel
 Connection: G 3/8
 Follow-up time: Approx. 7 s pre-set
 Jet angle: 34°
 Outlet height: 53 mm
 Spout projection: 112 mm / 34°
 Engineering standards: Noise category I



Faucets
mechanical

Description	Spout projection	Colour	Article number
CONWASH self-closing lavatory faucet	112 mm	Chromed	CONM3364200000
CONWASH self-closing lavatory faucet, *with theft-proof aerator	112 mm	Chromed	CONM3364200001

CONWASH self-closing lavatory faucet

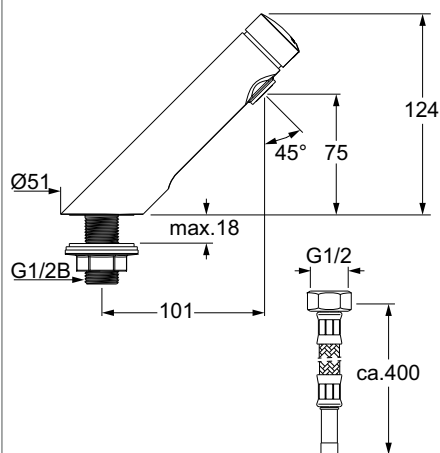


CONWASH self-closing lavatory faucet, without temperature-mixing, chromed, DN15

- For connection to cold or premixed water
- Solid metal housing
- Housing actuator made of brass, chromed
- Without temperature-mixing
- Adjustable flow rate
- Hygienic aerator
- 2 Plastic clips: plastic clip red and blue for cold or premixed water display

Operating pressure: 1,0 - 5,0 bar
 Flow rate: 3,0 - 15,0 l/min / 0,8 - 4,0 gpm adjustable (3 bar)
 Water temperature (max.): 50 °C (brief up to 75°C for thermal disinfection)
 Aerator: Hygienic Aerator
 Flexible hose: Certified with flexible connection cable 400 mm (inner tube material according to DVGW W 543 and W 270 and KTW A, external stainless steel braid) and filter seal

Connection: Compression fitting for pipe D10 mm
 Follow-up time: Approx. 7 s according to DIN EN 816
 Outlet height: 75 mm
 Spout projection: 101 mm / 45°
 Engineering standards: Noise category I



Faucets
mechanical

Description	Spout projection	Colour	Article number
CONWASH self-closing lavatory faucet	101 mm	Chromed	CONM3364100000

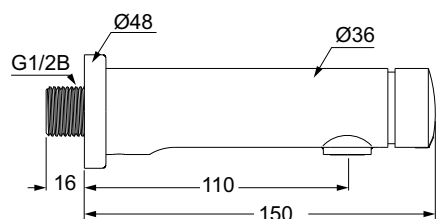
CONWASH wall-mounted self-closing faucet



CONWASH wall-mounted self-closing faucet, without temperature-mixing, chromed, DN15

- For connection to cold or premixed water
- For wall-mounting
- Housing actuator made of brass, chromed
- Without temperature-mixing
- Adjustable flow rate
- Hygienic aerator
- Rosette: Ø 48 mm
- 2 plastic clips: plastic clip red and blue for display of cold or premixed water

Operating pressure: 1,0-5,0 bar
 Flow rate: 3,0-15,0 l/min / 0,8-4,0 gpm adjustable (3 bar)
 Water temperature (max.): 50 °C (brief up to 75°C for thermal disinfection)
 Aerator: Hygienic aerator
 Connection: G 1/2 B
 Follow-up time: Approx. 7 s according to DIN EN 816
 Spout projection: 110 mm
 Engineering standards: Noise category I



Faucets
mechanical

Description	Spout projection	Colour	Article number
CONWASH wall-mounted self-closing faucet	110 mm	Chromed	CONM4664100000

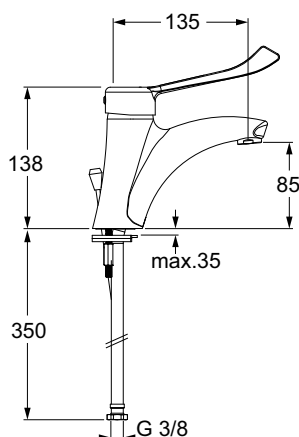
CONMED long handle single-lever faucet



CONMED long handle single-lever faucet, for health-care sector, chromed, DN15

- For connection to hot and cold water
- With fixed spout and long lever
- Mainly for medical sector
- Housing made of solid brass, chromed
- Reinforced fixing with 2 stainless steel bolts and lock nuts
- Ceramic cartridge with temperature stop (pre-set max. temperature)
- Integrated flow controller 5 l/min / 1,3 gpm
- With hygienic aerator and flexible PEX connection hoses 350 mm stainless steel braiding
- Dirt trap filters
- Drain assembly 1 1/4 and pull rod made of brass, chrome plated

Operating pressure: 0,5-8,0 bar
 Flow rate: 4,8 l/min / 1,3 gpm (3 bar)
 Water temperature (max.): 70 °C (Thermal disinfection possible)
 Aerator: Hygienic aerator
 Flexible hoses: Flexible PEX connection hoses with stainless steel 350 mm
 Connection: G 3/8
 Outlet height: 85 mm
 Spout projection: 135 mm
 Lever length: 150 mm



Description	Spout projection	Colour	Article number
CONMED long handle single lever faucet faucet	135 mm	Chromed	CONM3367100000

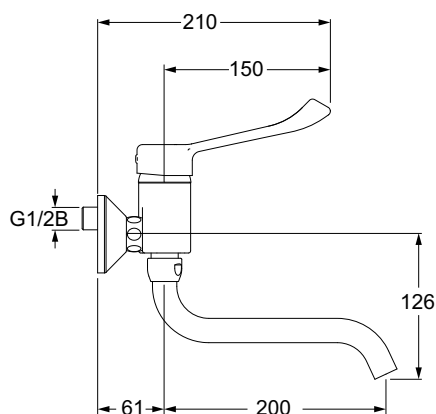
CONMED wall-mounted single-lever faucet



CONMED wall-mounted single-lever faucet for health-care sector, chromed, DN15

- For connection to hot and cold water
- For wall-mounting
- With swivel spout and long lever
- Mainly for health-care sector
- Housing made of solid brass with S-connections
- Ceramic cartridge with temperature stop (maximum temperature preset) and adjustable flow
- Swivel, self-draining, smooth interior framed outlet D22 mm
- With hygienic aerator to reduce the formation of bacteria
- Brass housing, chromed

Operating pressure: 6,0 bar
 Flow rate: 9,0 l/min / 2,4 gpm (3 bar)
 Water temperature (max.): 70 °C (thermal disinfection possible)
 Aerator: Hygienic Aerator
 Flexible hoses: Flexible PEX connection hoses with stainless-steel 350 mm
 Connection: G 1/2 B
 Spout projection: 200 mm
 Lever length: 150 mm



Faucets
mechanical

Description	Spout projection	Colour	Article number
CONMED wall-mounted single lever faucet	200 mm	Chromed	CONM4667100000

Thermostatic mixing valve



Thermostatic mixing valve, DN15

- For mounting under the table
- For connection to hot and cold water
- Intrinsically safe
- Anti-scalding protection
- Safety stop and „Legionella handle“ for easy manual thermal disinfection
- Housing and temperature adjustment handle made of brass, chromed
- With integrated backflow preventer

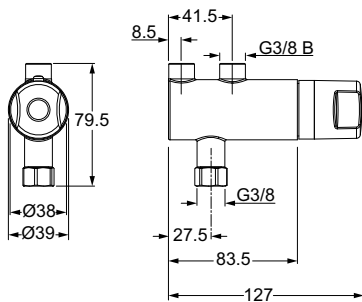
Thermostatic mixing valve with connection set consisting of:

- 1 Thermostat battery
- 1 Connection set for mounting on existing angle valves

Thermostatic mixing valve without connection set consisting of:

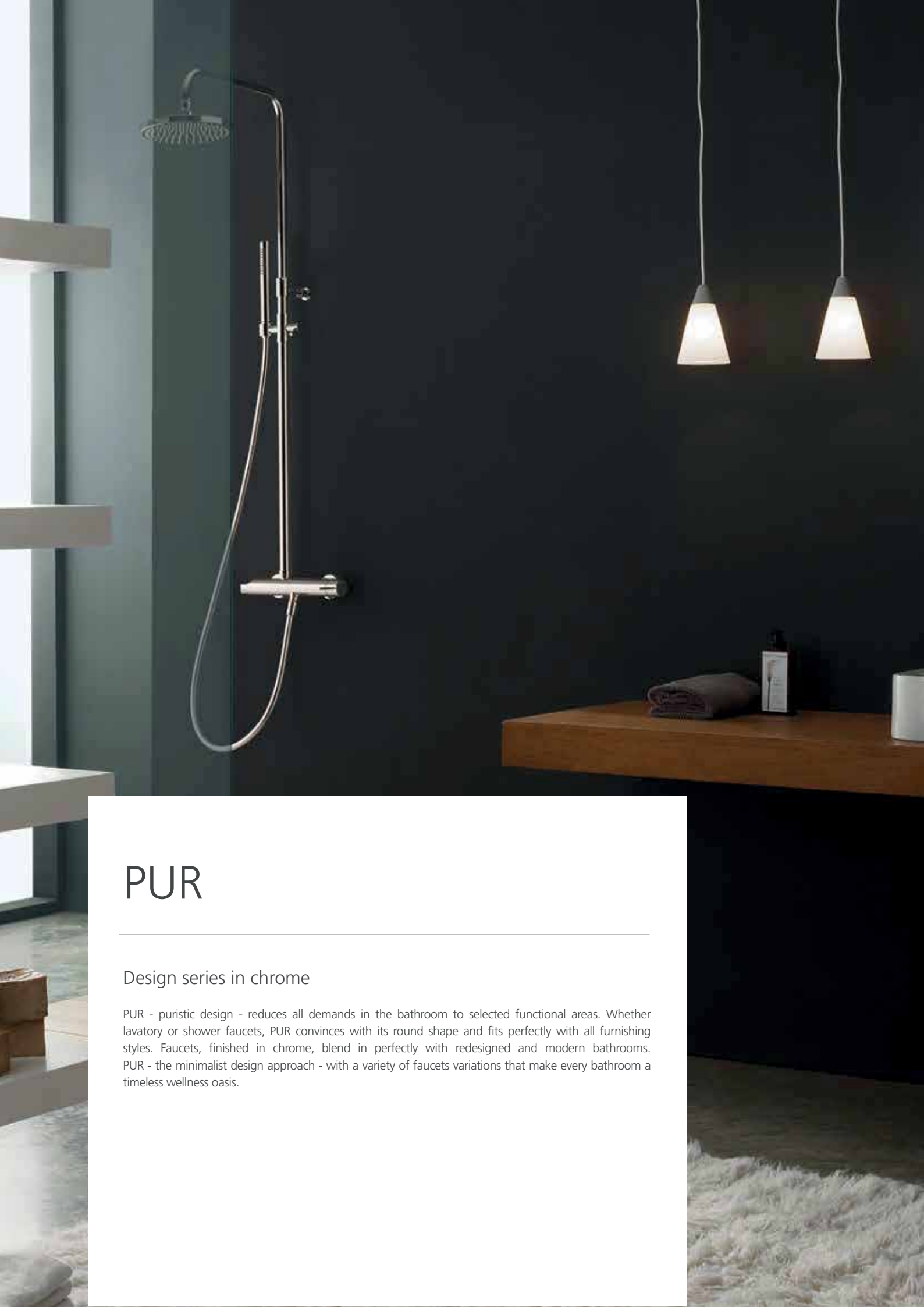
- 1 Thermostat battery

Operating pressure: 5,0 bar
 Flow rate: 12 l/min / 3,2 gpm (1 bar)
 Max. water temperature: 75 °C
 Temperature range: 30-70 °C
 Connection entry: G 3/8 B
 Connection drain: G 3/8



Faucets
mechanical

Description	Version	Article number
Thermostatic mixing valve	With connection set	CONM9164000000
	Without connection set	CONM91640001000



PUR

Design series in chrome

PUR - puristic design - reduces all demands in the bathroom to selected functional areas. Whether lavatory or shower faucets, PUR convinces with its round shape and fits perfectly with all furnishing styles. Faucets, finished in chrome, blend in perfectly with redesigned and modern bathrooms. PUR - the minimalist design approach - with a variety of faucets variations that make every bathroom a timeless wellness oasis.



PUR

Lavatory / wall-mounted faucets	314
Bidet faucets.....	317
Bath / shower faucets	318
Hand showers.....	322
Accessories	323

PUR single-lever lavatory faucet



PUR single-lever lavatory faucet, chromed

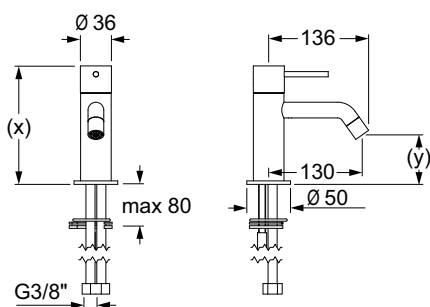
Design series PUR

- Round control and body elements
- All control body elements with short lever
- For connection to hot and cold water

Single-lever lavatory faucet

- With fixed spout
- Cartridge with ceramic seals
- With aerator
- Flexible connection hoses, stainless steel coating

Total height (x): 135 mm / 180 mm / 310 mm
 Outlet height (y): 57 mm / 102 mm / 231 mm
 Spout projection: 130 mm
 Hole diameter: 36 mm
 Operating pressure: 0,5-5 bar
 Flow rate: 5,7 l/min / 1,5 gpm (3 bar)
 Water temperature (max.): 80 °C
 Pressure hose: 450 mm
 Angle valve connection: G 3/8"



Faucets
Design

Description	Total height (x)	Drain assembly	Colour	Article number
PUR Single-lever lavatory faucet	135 mm	Without	Chromed	COND046315724
		With	Chromed	COND046315725
	180 mm	Without	Chromed	COND046315711
		With	Chromed	COND046315710
	310 mm	Without	Chromed	COND046315718

PUR single-lever concealed wall-mounted faucet



PUR single-lever concealed wall-mounted faucet, chromed

Design series PUR

- Round control and body elements
- All control body elements with short lever
- For connection to hot and cold water

Single-lever concealed wall-mounted faucet

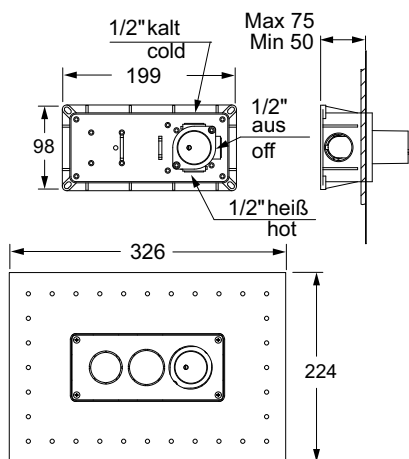
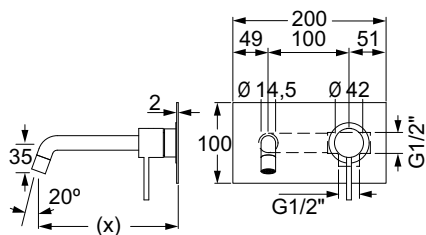
- With rectangular cover plate
- With fixed spout
- With aerator
- With sealing sleeve

Dimensions (WxH): 200x100 mm
 Spout projection (x): 170 mm / 210 mm
 Operating pressure: 0,5-5 bar
 Flow rate: 5,7 l/min / 1,5 gpm (3 bar)
 Water temperature (max.): 80 °C
 Connection: G 1/2"

Delivery including raw assembly set

- Raw-assembling set, plastic
- Basic body wall-mounted faucet, brass

Dimensions (WxHxD): 199x98x50-70 mm
 Connection: G 1/2"



Description	Spout projection (x)	Colour	Article number
PUR Single-lever concealed wall-mounted faucet	170 mm	Chromed	COND046315751
	210 mm	Chromed	COND046315752

PUR single-lever concealed wall-mounted faucet



PUR single-lever concealed wall-mounted faucet, chromed

Design series PUR

- Round control and body elements
- All control body elements with short lever
- For connection to hot and cold water

Single-lever concealed wall-mounted faucet

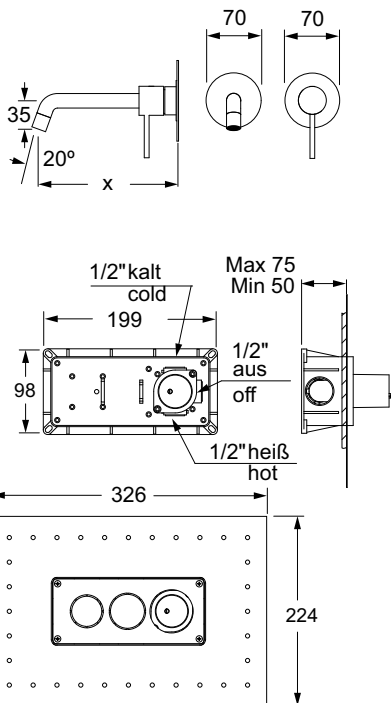
- With fixed spout
- With aerator
- With two rosettes
- With sealing sleeve

Spout projection (x): 170 mm / 210 mm
 Operating pressure: 0,5-5 bar
 Flow rate: 5,7 l/min / 1,5 gpm (3 bar)
 Max water temperature: 80 °C
 Connection: G 1/2"

Delivery including raw assembly set

- Raw-assembling set, plastic
- Basic body wall-mounted faucet, brass

Dimensions (WxHxD): 199x98x50-70 mm
 Connection: G 1/2"



Description	Spout projection (x)	Colour	Article number
PUR Single-lever concealed wall-mounted faucet	170 mm	Chromed	COND046315775
	210 mm	Chromed	COND046315776

PUR bidet faucet



PUR bidet faucet

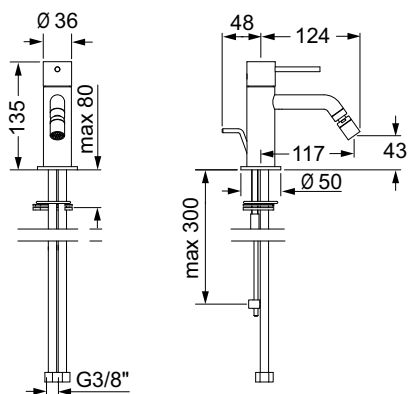
Design series PUR

- Round control and body elements
- All control body elements with short lever
- For connection to hot and cold water

Bidet faucet

- Single-lever
- With flexible aerator
- With drain assembly

Total height: 135 mm
 Spout projection: 117 mm
 Hole diameter: 36 mm
 Operating pressure: 0,5-5 bar
 Flow rate: 5,7 l/min / 1,5 gpm(3 bar)
 Water temperature (max.): 80 °C
 Pressure hose: 450 mm
 Angle valve connection: G 3/8"



Description	Spout projection	Colour	Article number
PUR bidet faucet	117 mm	Chromed	COND046315720

PUR bath/shower surface-mounted faucet



PUR bath/shower surface-mounted faucet, chromed

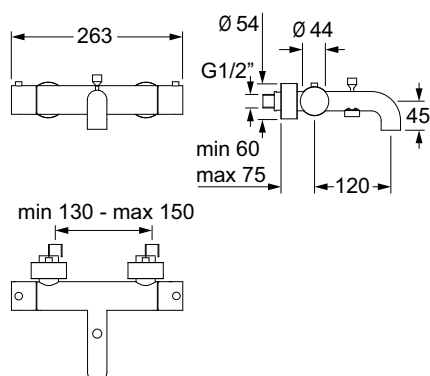
Design series PUR

- Round control and body elements
- All control body elements with short lever
- For connection to hot and cold water

Bath/shower faucet surface-mounted

- With thermostat
- With fixed spout
- With diverter

Width:	263 mm
Spout projection:	120 mm
Operating pressure:	0,5-5 bar
Flow rate tub:	18,6 l/min / 4,9 gpm (3 bar)
Flow rate shower:	16,3 l/min / 4,3 gpm (3 bar)
Water temperature (max.):	80 °C
Connection:	G 1/2"



Description	Colour	Article number
PUR Bath/shower surface-mounted faucet	Chromed	COND046215750

PUR exposed shower faucet



PUR exposed shower faucet, chromed

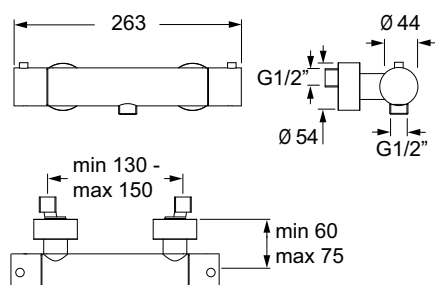
Design series PUR

- Round control and body elements
- All control body elements with short lever
- For connection to hot and cold water

Shower faucet

- With thermostat
- Without spout

Width: 263 mm
 Operating pressure: 0,5-5 bar
 Flow rate: 25,9 l/min / 6,8 gpm (3 bar)
 Water temperature (max.): 80 °C
 Connection: G 1/2"



Description	Colour	Article number
PUR exposed shower faucet	Chromed	COND046215845

PUR concealed shower faucet



PUR concealed shower faucet, chromed

Design series PUR

- Round control and body elements
- All control body elements with short lever
- For connection to hot and cold water

Shower faucet

- Single-lever
- With rectangular cover plate
- Without diverter
- With concealed gasket ring

Dimensions (WxH): 100x200 mm

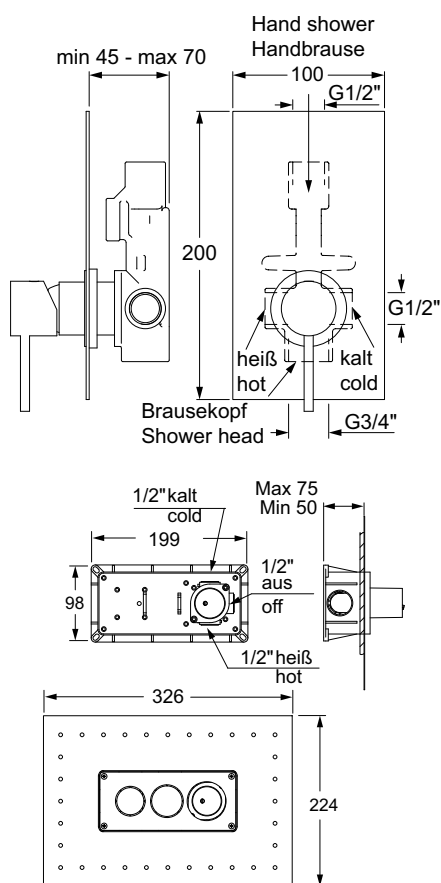
Connection: G 1/2"

Delivery including raw assembly set

- Raw-assembling set, plastic
- Basic body shower faucet without diverter, brass

Dimensions (WxHxD): 98x199x50-75 mm

Connection: 1/2"



Description	Diverter	Colour	Article number
PUR concealed shower faucet	Without diverter	Chromed	COND046315708

PUR concealed shower faucet



PUR concealed shower faucet, chromed

Design series PUR

- Round control and body elements
- All control body elements with short lever
- For connection to hot and cold water

Shower faucet

- Single-lever
- With rectangular cover plate
- With diverter
- With concealed gasket ring

Dimensions (WxH): 100x200 mm

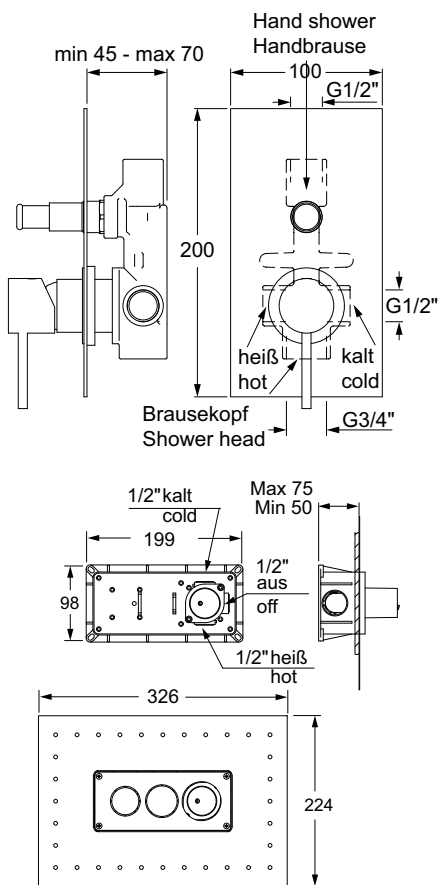
Connection: G 1/2"

Delivery including raw assembly set

- Raw-assembling set, plastic
- Basic body shower faucet with 2-way diverter, brass

Dimensions (WxHxD): 98x199x50-75 mm


Connection: 1/2"




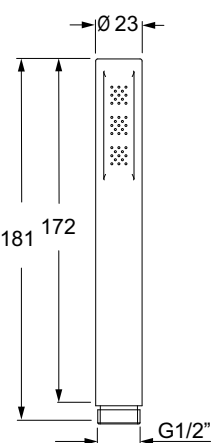
Faucets Design

Description	Diverter	Colour	Article number
PUR concealed shower faucet	With 2-way diverter	Chromed	COND046315749


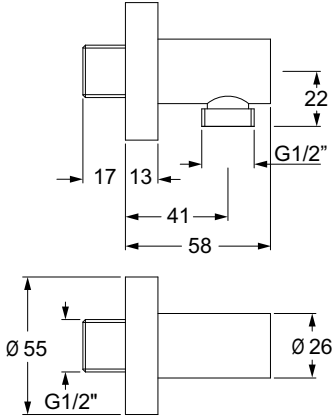
PUR hand shower

		<p>PUR hand shower, chromed</p> <p>Design series PUR</p> <ul style="list-style-type: none"> • Round control and body elements • All control body elements with short lever • For connection to shower hose <p>Hand shower</p> <ul style="list-style-type: none"> • Slim anti-scaling nozzle • Without shower hose <p>Height: 180 mm Diameter: 23 mm Connection: G 1/2"</p>	
Description	Height	Material / Colour	Article number
PUR hand shower	180 mm	ABS, chromed	COND046000161


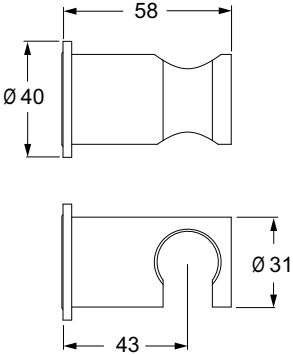
Faucets
Design

		<p>PUR hand shower, chromed</p> <p>Design series PUR</p> <ul style="list-style-type: none"> • Round control and body elements • All control body elements with short lever • For connection to shower hose <p>Hand shower</p> <ul style="list-style-type: none"> • Slim anti-scaling nozzle • Without shower hose <p>Height: 181 mm Diameter: 23 mm Connection: G 1/2"</p>	
Description	Height	Material / Colour	Article number
PUR handheld shower	181 mm	Brass, chromed	COND046000160


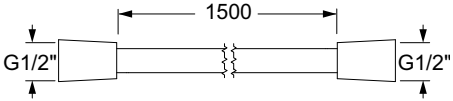
PUR angular wall connection

		<p>PUR angular wall connection, chromed</p> <p>Projection: 41 mm Rosette: Ø 55 mm Connection: G 1/2"</p>	
Description	Connection nominal	Colour	Article number
PUR angular wall connection	DN15	Chromed	COND046000123


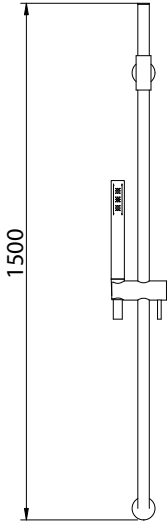
PUR shower bracket

		<p>PUR shower bracket, chromed</p> <p>Shower bracket</p> <ul style="list-style-type: none"> Without hand shower and shower hose <p>Projection: 58 mm Rosette: Ø 40 mm</p>
Description	Colour	Article number
PUR Shower bracket	Chromed	COND046000120

PUR shower hose

 <p style="text-align: center;">*Symbolic image</p>		<p>PUR shower hose, metallic</p> <p>Length: 1500 mm Connection: G 1/2" Material: PVC</p>		
Description		Lenght	Colour	Article number
PUR shower hose		1500 mm	Metallic	COND046000501

PUR sliding bar

		<p>PUR sliding bar, chromed</p> <p>Sliding bar</p> <ul style="list-style-type: none"> • With hand shower and shower hose <p>Height: 1500 mm</p>		
Description		Lenght	Colour	Article number
PUR sliding bar		1500 mm	Chromed	COND046006529

Stylish curves, clear design,
reduced and classic from,
CONTI+ PUR faucets

THE SOLUTION

CONTI+ design series are stylish, characteristic, aesthetic, charming, modern, inspiring and elegant. Whether lavatory and shower faucets, hand showers or accessories, CONTI+ design series match perfectly to your bathroom with its own charm. Your bathroom is perfected by individual and custom made washbasins Gelcoat.



Kitchen faucet

More than just a kitchen faucet

The CONTI+ kitchen faucet is not just a faucet for the kitchen sink, but has also brought technology and design to the extreme. Aesthetic form, precious materials and technology that inspires. Functionality and design are carefully matched and yet so individual like the user in front of it. Whether swivel spout, conventional faucet or hybrid, which combines the touchless operation with a single-lever mixer. With a faucet from CONTI+, premium quality sits on your washbasin.



Kitchen faucet

Hybrid kitchen faucet H10 329

CONTI+

360° swivelling
with automatic hygienic flush

Hybrid kitchen faucet – combination
of touchless IR sensor unit and
single-lever mixer

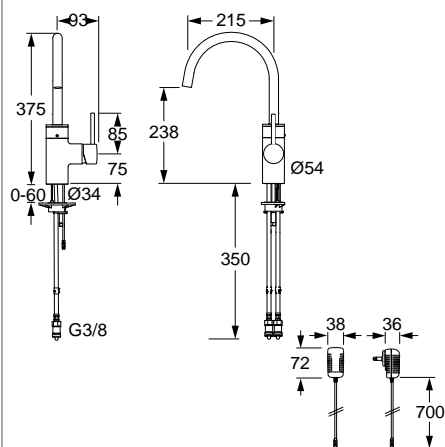
THE SOLUTION

Whether for industrial kitchens in public areas, for hotel kitchens in commercial areas or the kitchens at home, CONTI+ kitchen faucets are equipped for any field of application. Hybrid, electronic and manual operation combined in one, swivelling, with extendable hose and design-oriented: CONTI+ kitchen faucets for your kitchen.

Hybrid kitchen faucet H10



WITH TEMPERATURE-MIXING



Hybrid kitchen faucet H10, single-lever mixer with IR sensor, with temperature-mixing, chromed

Single-lever and touchless, electronically controlled kitchen faucet:

- Modular single-piece design with theft-proof battery box below the washbasin
- Sturdy brass housing, chromed
- High swivel spout
- Dual IR sensors (with automatic setting feature), microprocessor
- Hot and cold water supply connection with flexible high-pressure hoses
- Check valves and built-in filters
- Temperature and water flow adjustable with single-lever with functionally reliable ceramic cartridge and adjustable scalding protection
- Touchless, electronic function with automatic comfort switch, temperature adjustment for sensor operation over position of the lever in closed state
- Adjustment of the infrared sensor at the position of the bowl (centre, left, right) by rotation
- Temporary-off (cleaning) and continuous water flow time (filling of basin) activated by Click-plus
- Continuous water flow adjustable with function key
- Follow-up time and sensor sensitivity adjustable with function key
- 12 or 24-hour hygienic flush activatable with function key
- Installation similar to conventional kitchen faucets
- Compatible with CNX, Service APP and Service Monitor: control of stored operational data, settings and control functions

- Click-plus: Protruding function key with additional functions
- Battery: 6 V Lithium CRP2 - standard; life time up to 4 years
- Mains supply : Plug-in transformer 110-240 V 50/60 Hz / 6 V
- VARIOconnect: For single and multiple power supply and data connection (connection to CNX, Service Monitor - see accessories)
- Operating pressure: 0,3-10 bar
- Flow rate: Single-lever mixer: approx. 11 l/min / 2,9 gpm (3 bar)
Sensor: approx. 5 l/min / 1,3 gpm (1 – 5 bar)
- Flexible hoses: 350 mm
- Angle valve connection: G 3/8"
- Filters: 0,5 mm mesh size
- Sensor sensitivity: Automatic self-adapting sensor technology
- Sensor range: Activation of object recognition (approx. 250 mm) per close sensors (approx. 50 mm)
- Follow-up time: 1 sec. pre-set (adjustable with function key 0-10 sec.)
- Continuous water flow and hygienic flush time: 2 min. pre-set (adjustable with function key 0,5-20 min.)
- Temporary-off: 2 min. (fixed)
- Engineering standards: DIN EN 200; CE

Note: When integrated into the CNX water management system, the CNX Converter 6 V must be ordered separately.
When using the Service APP, the BLE Converter must be ordered separately.

Power supply	Drain assembly	Colour	Article number
Battery	Without	Chromed	131.800.11CO
Mains operation exposed	Without	Chromed	131.810.11CO
VARIOconnect	Without	Chromed	131.816.11CO

Kitchen faucets

A close-up photograph of a urinal flush valve sensor. The sensor is a small, dark, rectangular device mounted on a light-colored, textured wall. The background is slightly blurred, showing the wall and the edge of a dark urinal. The lighting is soft, highlighting the texture of the wall and the sleek design of the sensor.

Urinal flush valves

For new construction and renovation

CONTI+ urinal flush valves with sensor technology are ideal product solutions for the hygienically sensitive sanitary rooms in public, semi-public and commercial areas.

Surface-mounted or as design-oriented versions with glass or in the more robust version with stainless steel cover plate, CONTI+ urinal flush valves always cut a fine figure, whether in a new building or as a conversion solution for mechanical flushing valves.



Urinal flush valves

Functional options.....332

Concealed urinal flush valves

ultra..... 334

iQ336

lino338

Siphon regulator341

Exposed urinal flush valves

lino 343

Retrofitting set 345

Functional options for urinal flush valves

Overview urinal flush valves (not all features combinable)



Urinal flush valves

Urinal flush valves	FUNCTIONAL CHARACTERISTICS		
	Water flow actuation		Resource-saving functions
	Self-closing function, electronic	IR sensor	Adjustable water flow time
CONCEALED URINAL FLUSH VALVES			
ultra	•	•	•
iQ	•	•	•
lino	•	•	•
EXPOSED URINAL FLUSH VALVES			
lino	•	•	•
SIPHON REGULATOR			
S10	•	•	•

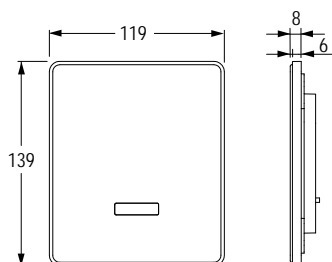
• standard feature

Service functions										Hygiene and safety functions		
Temporary-off - cleaning stop	Short-on - manual flush	Stadium mode - 1 flush per minute	Overflow protection	Self-adapting sensor sensitivity	Function key Click	Service APP	Function key Touch	VARIOconnect	Service Monitor	Touchless operation	Hygienic flush	CNX Water Management System
•	•	•		•		•	•	•	•	•	•	•
•	•	•		•		•	•	•	•	•	•	•
•	•	•		•		•	•	•	•	•	•	•
•	•	•		•	•					•		
			•							•	•	

Urinal flush valves

• standard feature

ultra urinal flush valve U18



ultra urinal flush valve U18, with IR sensor, white/chromed - final installation set

Touchless, electronically controlled urinal flush valve for concealed installation:

- Front plate made of glass, white
- Double IR sensors (with automatic setting feature!), microprocessor
- Reliable solenoid valve (minimal level of water pressure surge)
- Dynamic sensor: constantly adjusts the optimum range
- Temporary-off (cleaning) and short-on (manual flush) activatable with Touch
- Flush time and sensor sensitivity adjustable with Touch
- 24- or 48-hour hygienic flush and pre-rinse activatable with Touch
- Variable installation in combination with urinal shell set U2L or U3L (not included)
- Compatible with CNX, Service APP and Service Monitor: control of stored operational data, settings and control functions

Battery: 6V Lithium CRP2 - standard; life time up to 4 years
 Mains supply: Plug-in transformer 110-240 V 50/60 Hz / 6V
 VARIOconnect: For single- and multiple power supply and data connection (Connection to CNX, Service APP and Service Monitor - see accessories)

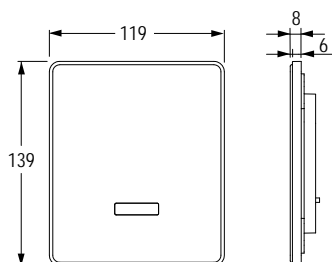
Operating pressure: 0,3-10 bar
 Flow rate: Approx. 20 l/min / 5,3 gpm (3 bar)
 Filter: 0,5 mm mesh size
 Sensor-sensitivity: Automatic self-adapting sensor technology
 Flush time: Pre-set approx. 7 s (adjustable with Touch 2-30 s)
 Temporary-off: Approx. 2 min. (fixed)
 Residence time: Approx. 10 s (fixed)
 Engineering standards: DIN EN 200; **CE**

Necessary accessory: 220.022.00 urinal shell set U3L or 220.025.00 urinal shell set U2L

Note: When integrated into the CNX water management system, the CNX Converter 6V must be ordered separately.
 When using the Service APP, the BLE Converter must be ordered separately.

Power supply		Colour	Article number
Battery		Front plate: white glass Frame: chromed	260.000.31
Concealed mains power supply		Front plate: white glass Frame: chromed	260.010.31
VARIOconnect		Front plate: white glass Frame: chromed	260.016.31

ultra urinal flush valve U18



ultra urinal flush valve U18, with IR sensor, black/chromed - final installation set

Touchless, electronically controlled urinal flush valve for concealed installation:

- Front plate made of glass, black
- Double IR sensors (with automatic setting feature!), microprocessor
- Reliable solenoid valve (minimal level of water pressure surge)
- Dynamic sensor: constantly adjusts the optimum range
- Temporary-off (cleaning) and short-on (manual flush) activatable with Touch
- Flush time and sensor sensitivity adjustable with Touch
- 24- or 48-hour hygienic flush and pre-rinse activatable with Touch
- Variable installation in combination with urinal shell set U2L or U3L (not included)
- Compatible with CNX, Service APP and Service Monitor: control of stored operational data, settings and control functions

Battery: 6V Lithium CRP2 - standard; life time up to 4 years
Mains supply: Plug-in transformer 110-240 V 50/60 Hz / 6V
VARIOconnect: For single- and multiple power supply and data connection (Connection to CNX, Service APP and Service Monitor - see accessories)

Operating pressure: 0,3-10 bar
Flow rate: Approx. 20 l/min / 5,3 gpm (3 bar)
Filter: 0,5 mm mesh size
Sensor-sensitivity: Automatic self-adapting sensor technology
Flush time: Pre-set approx. 7 s (adjustable with Touch 2-30 s)
Temporary-off: Approx. 2 min. (fixed)
Residence time: Approx. 10 s (fixed)
Engineering standards: DIN EN 200; CE

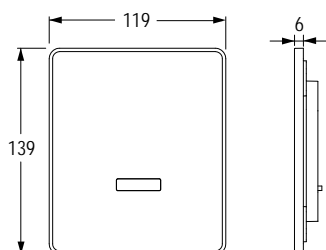
Necessary accessory: 220.022.00 urinal shell set U3L or 220.025.00 urinal shell set U2L

Note: When integrated into the CNX water management system, the CNX Converter 6V must be ordered separately.
 When using the Service APP, the BLE Converter must be ordered separately.

power supply		colour	Article number
Battery		Front plate: black glass Frame: chromed	260.000.71
Concealed mains power supply		Front plate: black glass Frame: chromed	260.010.71
VARIOconnect		Front plate: black glass Frame: chromed	260.016.71

Urinal flush valves

iQ urinal flush valve U28



iQ urinal flush valve U28, with IR sensor, stainless steel/chromed - final installation set

Touchless, electronically controlled urinal flush valve for concealed installation:

- Sturdy front plate made of brushed stainless steel
- Double infrared sensors (with automatic setting feature!), microprocessor
- Reliable solenoid valve (minimal level of water pressure surge)
- Dynamic sensor: constantly adjusts the optimum range
- Temporary-off (cleaning) and short-on (manual flush) activatable with Touch
- Flush time and sensor sensitivity adjustable with Touch
- 24- or 48-hour hygienic flush and pre-rinse activatable with Touch
- Variable installation in combination with urinal shell set U2L or U3L (not included)
- Compatible with CNX, Service APP and Service Monitor: control of stored operational data, settings and control functions

Battery: 6V Lithium CRP2 - standard; life time up to 4 years
 Mains supply: Plug-in transformer 110-240 V 50/60 Hz / 6V
 VARIOconnect: For single- and multiple power supply and data connection (Connection to CNX, Service APP and Service Monitor - see accessories)

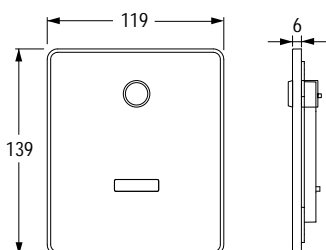
Operating pressure: 0,3-10 bar
 Flow rate: Approx. 20 l/min / 5,3 gpm (3 bar)
 Filter: 0,5 mm mesh size
 Sensor-sensitivity: Automatic self-adapting sensor technology
 Flush time: Pre-set approx. 7 sec. (adjustable with Touch 2-30 sec.)
 Temporary-off: Approx. 2 min. (fixed)
 Residence time: Approx. 10 sec. (fixed)
 Engineering standards: DIN EN 200; **CE**

Necessary accessory: 220.022.00 urinal shell set U3L or 220.025.00 urinal shell set U2L

Note: When integrated into the CNX water management system, the CNX Converter 6V must be ordered separately.
 When using the Service APP, the BLE Converter must be ordered separately.

Power supply		Colour	Article number
Battery		Front plate: brushed stainless steel Frame: chromed	201.000.01
Concealed mains power supply		Front plate: brushed stainless steel Frame: chromed	201.010.01
VARIOconnect		Front plate: brushed stainless steel Frame: chromed	201.016.01

iQ urinal flush valve U28M



iQ urinal flush valve U28M, with IR sensor, with push-button, stainless steel/chromed - final installation set

- Touchless, electronically controlled urinal flush valve for concealed installation:
- Sturdy front plate made of brushed stainless steel
- Double infrared sensors (with automatic setting feature!), microprocessor
- Push button for manual flushing
- Reliable solenoid valve (minimal level of water pressure surge)
- Dynamic sensor: constantly adjusts the optimum range
- Temporary-off (cleaning) and short-on (manual flush) activatable with Touch
- Flush time and sensor sensitivity adjustable with Touch
- 24- or 48-hour hygienic flush and pre-rinse activatable with Touch
- Variable installation in combination with urinal shell set U2L or U3L (not included)
- Compatible with CNX, Service APP and Service Monitor: control of stored operational data, settings and control functions

Battery: 6V Lithium CRP2 - standard; life time up to 4 years
Mains supply: Plug-in transformer 110-240 V 50/60 Hz / 6V
VARIOconnect: For single- and multiple power supply and data connection (Connection to CNX, Service APP and Service Monitor - see accessories)

Operating pressure: 0,3-10 bar
Flow rate: Approx. 20 l/min / 5,3 gpm (3 bar)
Filter: 0,5 mm mesh size
Remote control: Not required
Sensor-sensitivity: Automatic self-adapting sensor technology
Flush time: Pre-set approx. 7 sec. (adjustable with Touch 2-30 sec.)
Temporary-off: Approx. 2 min. (fixed)
Residence time: Approx. 10 sec. (fixed)
Engineering standards: DIN EN 200; CE

Necessary accessory: 220.022.00 urinal shell set U3L or 220.025.00 urinal shell set U2L

Note: When integrated into the CNX water management system, the CNX Converter 6V must be ordered separately.
 When using the Service APP, the BLE Converter must be ordered separately.

Power supply		Colour	Article number
Battery		Front plate: brushed stainless steel Frame: chromed	202.000.01
Concealed mains power supply		Front plate: brushed stainless steel Frame: chromed	202.010.01
VARIOconnect		Front plate: brushed stainless steel Frame: chromed	202.016.01

Urinal flush valves

lino urinal flush valve U10



lino urinal flush valve U10, with IR sensor, chromed/white - final installation set

Touchless, electronically controlled urinal flush valve for concealed installation:

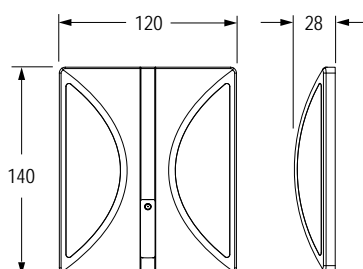
- Sturdy front plate made of metal, chromed
- Infrared sensor (with automatic setting feature!), microprocessor
- Reliable solenoid valve (extremely minimal level of water pressure surge)
- Dynamic sensor: constantly adjusts the optimum of range
- Temporary-off (cleaning) and short-on (manual flush) activatable with Click
- Flush time and sensor sensitivity adjustable with Click
- 24- or 48-hour hygienic flush and pre-rinse activatable with Click
- Variable installation in combination with urinal shell set U2L or U3L (not included)
- Stop valve and filter in concealed installation box
- Compatible with CNX, Service APP and Service Monitor: control of stored operational data, settings and control functions

Battery: 6 V Lithium CRP2 - standard; life time up to 4 years
Mains supply: Plug-in transformer 110-240 V 50/60 Hz / 6 V
VARIOconnect: For single- and multiple power supply and data connection (Connection to CNX, Service APP and Service Monitor - see accessories)

Operating pressure: 0,3-10 bar
Flow rate: Approx. 20 l/min / 5,3 gpm (3 bar)
Filter: 0,5 mm mesh size
Sensor-sensitivity: Automatic self-adapting sensor technology
Flush time: Pre-set approx. 7 sec. (adjustable with Touch 2-30 sec.)
Temporary-off: Approx. 2 min. (fixed)
Residence time: Approx. 10 s (fixed)
Engineering standards: DIN EN 200; **CE**


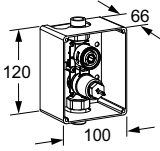
Necessary accessory: 220.022.00 urinal shell set U3L or 220.025.00 urinal shell set U2L

Note: When integrated into the CNX water management system, the CNX Converter 6V must be ordered separately.
 When using the Service APP, the BLE Converter must be ordered separately.


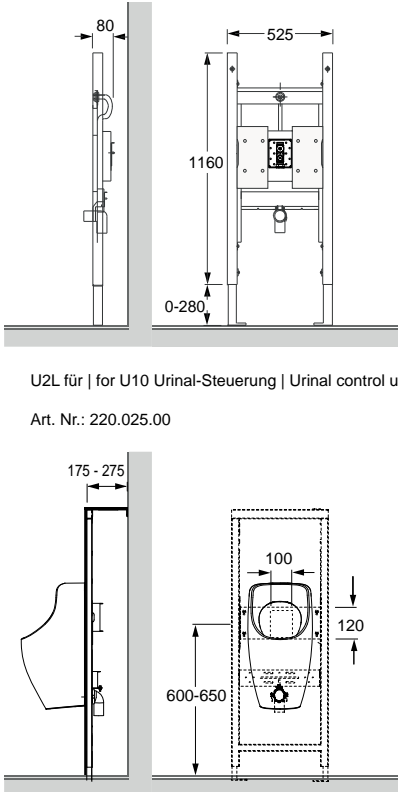


Power supply	Colour	Article number
Battery	Front plate: chromed / Window: white	220.000.43
	Front plate: white / Window: white	220.000.33
Concealed mains power supply	Front plate: chromed / Window: white	220.010.43
	Front plate: white / Window: white	220.010.33
VARIOconnect	Front plate: chromed / Window: white	220.016.43
	Front plate: white / Window: white	220.016.33

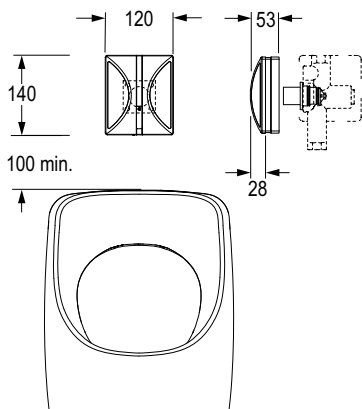
Accessories for concealed urinal flush valves U18, U28, U10

		<p>Urinal shell set U3L</p> <p>Shell set for concealed pre-installation U18, U28, U10 (final installation set):</p> <ul style="list-style-type: none"> • Concealed housing, valve body with stop valve and flush connector • made of Grivory® (sea water resistant)
<p>Description</p>		<p>Article number</p>
<p>Urinal shell set U3L</p>	<p>Urinal shell set with integrated stop valve and flush connector</p>	<p>220.022.00</p>

Installation kit U2L

	 <p>U2L für for U10 Urinal-Steuerung Urinal control unit Art. Nr.: 220.025.00</p>	<p>Installation kit U2L, for concealed installation of urinal flush valves U18, U28, U10 (pre-installation unit)</p> <p>For installation in a partition wall in accordance with DIN 18183, or can be used in conjunction with wall unit (accessory) as single element in a pre-wall installation.</p> <ul style="list-style-type: none"> • Galvanized, self-supporting and acoustically decoupled structural steel frame • Adjustable urinal attachment traverse • Adjustable acoustically coupled water supply crossbar • Adjustable drain crossbeam; swivelling drain bend DN50 • Building protection for revision opening; including mounting material • Mounting kit for element and urinal • Adjustable foot support 0 - 280 mm • Pre-assembled raw mounting set U3L for concealed urinal flush valves U18, U28, U10 • Suitable for almost all commercial urinals except with molded suction siphon • Mounting plate for variable urinal mounting • Flexible watercourse without suction fitting <p>Engineering standards: CE</p>
<p>Description</p>	<p>Material</p>	<p>Article number</p>
<p>Installation kit U2L</p>	<p>Galvanized steel frame, raw-assembling kit with integrating stop valve and flush plug, urinal supply line, drain bend, protective cover</p>	<p>220.025.00</p>
<p>Wall-mounting kit for drywall installation</p>	<p>Plastic / metal</p>	<p>200.031.00</p>

lino urinal flush valve U55



lino urinal flush valve U55, with IR sensor, for retrofitting concealed manually-operated Grohe/Dal urinal flush valve 37017 (505) and 509

Touchless, electronically controlled urinal flush valve for simple modification of concealed manually-operated flush valves:

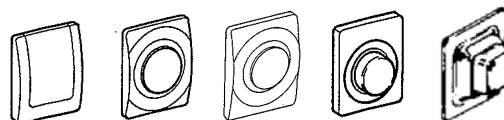
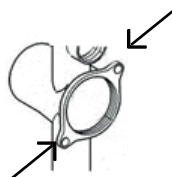
- Sturdy body, front plate made of metal, chromed
- Infrared sensor (with automatic setting feature!), microprocessor
- Dynamic IR sensor: constantly determines the optimum range
- Temporary-off (cleaning) and short-on (manual flush) activatable with Click
- Flush time and sensor sensitivity activatable with Click
- 24-hour hygienic flush and pre-rinse activatable with Click
- Suitable for Grohe concealed urinal flush valve 37017 until manufacture date 2009 - Skate, Surf
- Stainless steel and further models (see image)

Battery: 6V Lithium CRP2 - standard; life time up to 4 years

Operating pressure: 0,3-10 bar
 Flow rate: Approx. 20 l/min / 5,3 gpm (3 bar)
 Filter: 0,5 mm mesh size
 Sensor-sensitivity: Automatic self-adapting sensor technology
 Flush time: Pre-set approx. 7 sec. (adjustable with Click 2-30 sec.)
 Temporary-off: Approx. 2 min. (fixed)
 Residence time: Approx. 10 sec (fixed)
 Engineering standards: DIN EN 200; CE

Necessary accessory: 220.022.00 urinal shell set U3L

Suitable for Grohe/DAL valve body until year of construction 2009: for example.: Skate, Surf, stainless steel, „historical“ models



Power supply		Colour	Article number
 Battery		Front plate: matt chromed Window: white	220.200.43

urinal flush control S10, siphon regulator



urinal flush control S10, siphon regulator - final installation set

Touchless, invisible and inaccessible electronically controlled urinal flush control for mounting behind the urinal (not included).

Consisting of electronics and siphon:

- Siphon with outlet DN50 for flush volume (urinal): 2 - 8 l/min (article number 230.010.00)
- Invisible installation behind the urinal
- Measurements at the siphon, no contaminations of the sensor
- Automatic adjustment to conditions at place of use
- All functions pre-set
- Flush time adjustable directly at electronic module
- Automatic flush: 24 hours after last flush
- Overflow protection: no flushing at fully and partial blockage
- Stadium operation: frequent usage leads up to 1 flush per minute
- Regular flushing after use within 10 sec.
- Stop valve, filter pre-mounted in shell set U3S
- 1x solenoid valve 6 V/DC included
- Variable installation in combination with urinal shell set U3S or U2S (not included)
- No use for urinals made of stainless steel

Mains supply: Plug-in transformer 110 - 240V 50/60Hz / 6V
(transformer integrated in electronic module)



Release time: Approx. 10 sec. after usage
 Flush time: Pre-set approx. 7 sec. (adjustable 1 - 14 s)
 Operating pressure: 0,3-10 bar
 Flow rate: Approx. 20 l/min / 5,3 gpm (3 bar)
 Engineering standards: DIN EN 200; CE

Necessary accessory: 230.022.00 urinal shell set U3S or
230.025.00 urinal shell set U2S


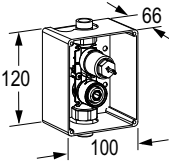


This photo shows:
urinal with urinal control S10

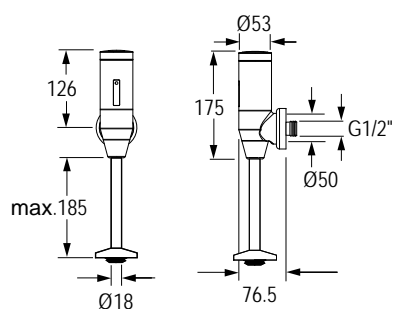
Urinal
flush valves

Description		Model	Article number
 Mains supply		S10 siphon regulator with 2 - 8l siphon	230.010.00

Accessories for siphon regulator S10

		<p>Urinal shell set U3S</p> <p>Shell set for concealed pre-installation of siphon regulator S10 (final installation set):</p> <ul style="list-style-type: none"> • Concealed housing, valve body with stop valve and flush connector <p>Operating pressure: 0,3-10 bar Flow rate: Approx. 20 l/min / 5,3 gpm (3 bar) Filter: 0,5 mm mesh size Engineering standards: DIN EN 200; C€</p>
Description		Article number
Urinal shell set U3S	Urinal shell set with integrated stop valve and filter, flush connector	230.022.00

lino exposed urinal flush valve U60




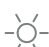
lino exposed urinal flush valve U60, with IR sensor, chromed

Touchless, electronically controlled urinal flush valve for exposed installation:


- Sturdy brass housing
- Digital microelectronics with processor (water-proof)
- Dynamic IR sensor: constantly determines the optimum range
- Reliable solenoid valve (minimal level of water pressure surge)
- Temporary-off (cleaning) and short-on (manual flush) activatable with Click
- Flush time and sensor sensitivity adjustable with Click
- 24-hour hygienic flush and pre-rinse activatable with Click
- Stop valve with filter and rosette
- Rinse pipe and cover rosette (185 mm) with urinal connector


Battery: 6V Lithium CRP2 - standard; life time up to 4 years
 Solar: Photovoltaic cells with 6 V Lithium CRP2 (support batteries) commercial life-time up to 6 years

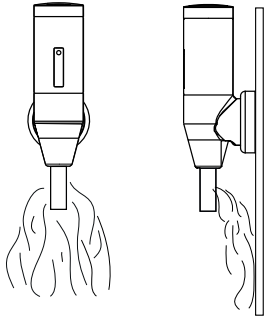
Operating pressure: 0,3-10 bar
 Flow rate: Approx. 25 l/min / 6,6 gpm(3 bar)
 Filter: 0,5 mm mesh size
 Rinse pipe: Bore 18 mm
 Sensor-sensitivity: Automatic self-adapting sensor technology
 Residence time: Approx. 10 s (fixed)
 Flush time: Pre-set approx. 7 sec. (adjustable with remote control 2-30 sec.)
 Temporary-off: Approx. 2 min. (fixed)
 Residence time: Approx. 10 s (fixed)
 Engineering standards: DIN EN 200; CE

Power supply		Colour	Article number
 Battery		Chromed	220.100.11
 Solar		Chromed	220.108.11

Accessories for lino urinal flush valve U60


	<p>Cranked flush pipe for lino exposed urinal flush valve U60</p> <ul style="list-style-type: none"> • Replacement of straight infeed tube at ports with offset • Length: approx. 300 mm 	
Description	Offset	Article number
<p>Cranked infeed tube for lino exposed urinal flush valve U60</p>	10 mm	550.011.11
	20 mm	550.012.11
	30 mm	550.013.11
	40 mm	550.014.11
	50 mm	550.015.11

	<p>Extra long infeed tube for lino exposed urinal flush valve U60</p> <ul style="list-style-type: none"> • Length: ca. 500 mm 	
Description	Article number	
<p>Infeed tube</p>	<p>550.020.11</p>	

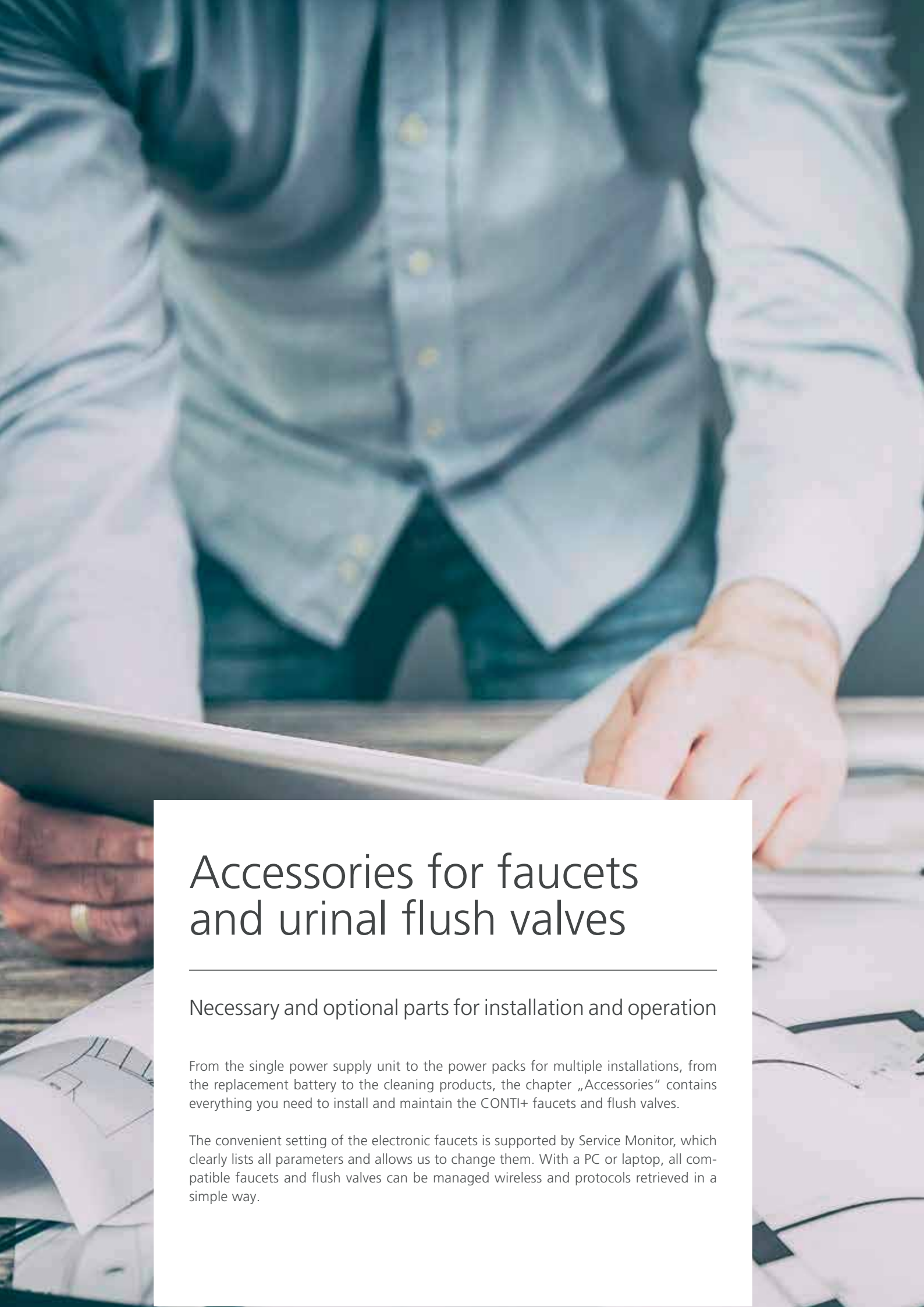
	<p>Spray-head for exposed lino urinal flush valve U60</p> <ul style="list-style-type: none"> • For rinsing of urinal walls • Length: approx. 50 mm 	
Description	Article number	
<p>Spray-head for exposed urinal flush valve</p>	<p>550.021.00</p>	

Urinal flush valves

Retrofitting set urinal flush valve

	<p>Retrofitting set urinal flush valve 55 - 68</p> <p>Universal equipment on electronic touchless CONTI+ sensor urinal flush valves U18 and U28 of mechanical pressure washers with water lengths 55 or 68 mm</p> <p>Universal cover plate for further use of the existing raw mounting sets for wall installation</p> <p>Consisting of:</p> <ul style="list-style-type: none"> • Adapter brass, 23 mm, O-ring seal, water section • Cover plate, stainless steel 1.4301, brushed surface, 250x250 mm, with sealing, mounting on site <p>Operating pressure: 0,3-10 bar Flow rate: 20 l/min / 5,3 gpm (3 bar) Connection: Rp 3/4 Protection class: IP68 (electronic components)</p>	
<p>Description</p>	<p>Colour</p>	<p>Article number</p>
<p>Retrofitting set urinal flush valve 55 - 68</p>	<p>Stainless steel</p>	<p>CONS11551000000</p>

Urinal flush valves

A person wearing a light blue button-down shirt and a matching vest is leaning over a table, looking at architectural plans. The person's hands are visible, and they appear to be pointing at or discussing the documents. The background is slightly blurred, focusing attention on the person and the plans.

Accessories for faucets and urinal flush valves

Necessary and optional parts for installation and operation

From the single power supply unit to the power packs for multiple installations, from the replacement battery to the cleaning products, the chapter „Accessories“ contains everything you need to install and maintain the CONTI+ faucets and flush valves.

The convenient setting of the electronic faucets is supported by Service Monitor, which clearly lists all parameters and allows us to change them. With a PC or laptop, all compatible faucets and flush valves can be managed wireless and protocols retrieved in a simple way.

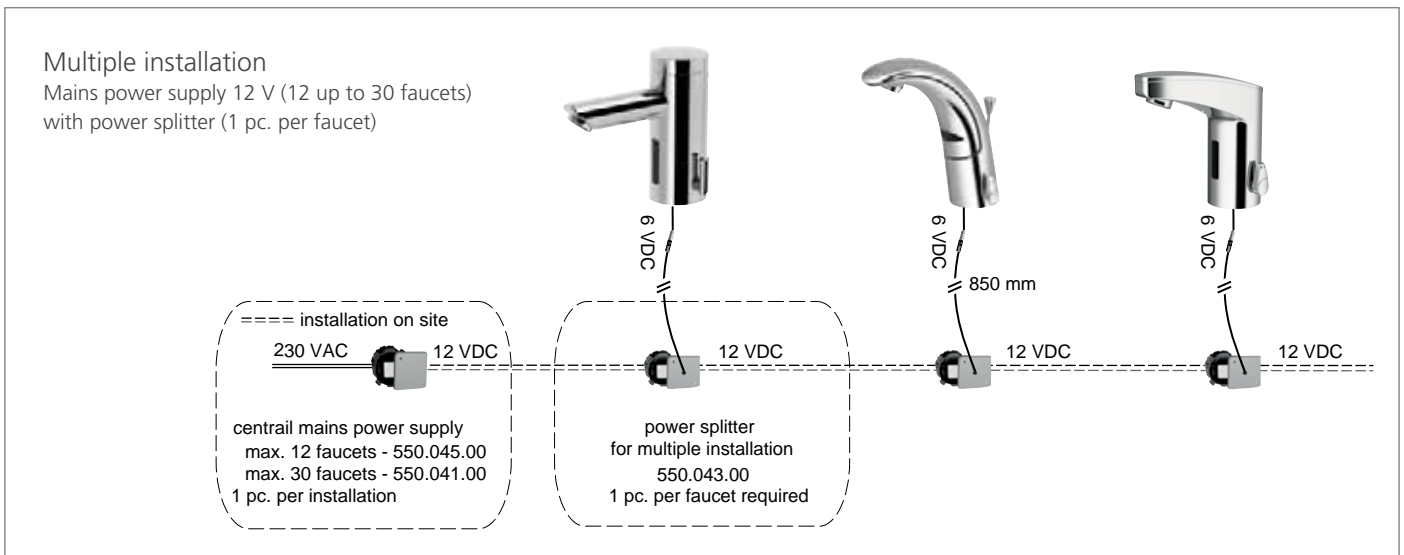
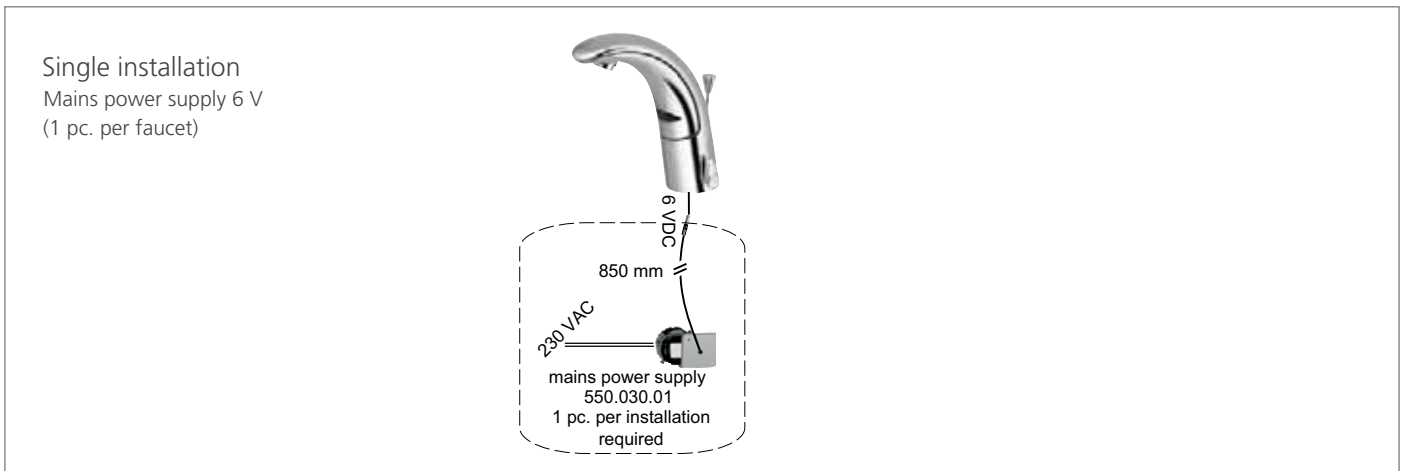


Accessories for faucets and urinal flush valves


Central mains power supply for single or multiple installations	349
Power supply unit	350
Battery exchange kits	352
Double socket	352
Splitter for multiple installations	354
Installation cables	354
Conversion kit	355
S-connector	355
Hose set	356
Adapter	356
Aerator	356
Service Monitor	358
Wireless Combox	358
Cleaning products	359
Tool kit	359



Installation example:

lavatory faucets with VARIOconnect for combination with mains power supply





Central mains power supplies for multiple installation



 	<p>Concealed central power supply, for up to 30 units</p> <p>Suitable for:</p> <ul style="list-style-type: none"> • All lavatory faucets with VARIOconnect for multiple installations up to 30 units (except lumino L10i and L10c) • Urinal flush valves with VARIOconnect (U10, U18, U28) up to 30 units • Multiple installation bypass for ShowerMaster and lino flush-mounted shower faucets up to 30 units • Exclusively for use with flush-mounted splitters 550.042.00 or 550.43.00 or 550.044.00 <p>Consisting of:</p> <ul style="list-style-type: none"> • Concealed mains power supply 110-240 V / 12 V • Concealed installation box with white cover • Installation cable 3000 mm with plug connector for faucets/flush valves 		
Description	Installation type	Voltage	Article number
Concealed central mains power supply, with flush-mounted outlet	up to 30 units	110-240 V / 12 V	550.041.00

 	<p>Concealed central mains power supply, for up to 12 units</p> <p>Suitable for:</p> <ul style="list-style-type: none"> • All lavatory faucets with VARIOconnect in multiple installations up to 12 units (except lumino L10i and L10c) • Urinal flush valves with VARIOconnect (U10, U18, U28) up to 12 units • Multiple installation bypass for ShowerMaster and lino flush-mounted shower faucets up to 12 units • Exclusively for use with flush-mounted splitters 550.042.00 or 550.43.00 or 550.044.00 <p>Consisting of:</p> <ul style="list-style-type: none"> • Concealed mains power supply 110-240 V / 12 V • Concealed installation box with white cover • Installation cable 3000 mm with plug connector for faucets/flush valves 		
Description	Installation type	Voltage	Article number
Concealed central mains power supply, with flush-mounted outlet	up to 12 units	110-240 V / 12 V	550.045.00



Concealed mains power supply for single installation

 	<p>Concealed mains power supply for single installation</p> <p>Suitable for:</p> <ul style="list-style-type: none"> • Flush-mounted lino shower faucets DV35 / DV30 • Wall-mounted lavatory faucets WV10 / WV20 / GW20 with VARIOconnect • Single installation bypass for ShowerMaster and lino flush-mounted shower faucets DV35 / DV30B with VARIOconnect <p>Consisting of:</p> <ul style="list-style-type: none"> • Concealed mains power supply 110-240 V / 6 V • Concealed installation box with white cover • Installation cable 3000 mm with plug connector for faucets 		
	Description	Installation type	Voltage
Concealed mains power supply, with flush-mounted outlet	For single installation	110-240 V / 6 V	550.026.00



Mains power supplies for single installation for faucets with VARIOconnect

 	<p>Concealed mains power supply for single installation</p> <p>Suitable for all lavatory faucets with VARIOconnect</p> <p>Consisting of:</p> <ul style="list-style-type: none"> • Concealed power supply 110-240 V / 6 V • Flush-mounted box for masonry • Flush-mounted box for drywall construction • With white cover and waterproof cable grommet 		
	Description	Installation type	Voltage
Concealed mains power supply, with flush-mounted outlet	For single installations	110-240 V / 6 V	550.030.01


Twin plug power supply unit


 	<p>Twin plug power supply unit 110-240 V / 6 V</p> <p>Power supply unit 110-240 V / 6 V with socket for additional electrical devices drawing up to 10 A for all lavatory faucets (except lumino L10i and L10c) with VARIOconnect</p>	
	Description	Voltage
Twin plug power supply unit	110-240 V / 6 V	550.031.00

Single plug power supply unit


 	<p>Single plug power supply unit 100-240 V / 6 V</p> <ul style="list-style-type: none"> • Suitable for all lavatory faucets with VARIOconnect with fixed plug 	
	Description	Region
Single plug power supply unit	Europe	550.032.00
Single plug power supply unit	United States of America	550.032.00US
Single plug adapter power supply unit	Australia	550.032.00AU
Single plug adapter power supply unit	United Kingdom	550.032.00UK

Battery exchange kits


	<p>Battery exchange kit 2CR5</p> <p>For following models: A10, A20, A30, U20, U40, U50, U51</p> <p>Consisting of:</p> <ul style="list-style-type: none"> • Battery (6 V Lithium 2CR5 bzw. DL 245) 	
	Description	Article number
Battery exchange kit 2CR5	550.000.03	

	<p>Battery exchange kit CRP2</p> <p>For following models: 2in1, A50, D10, G10, G20, G30, K10, K20, K30, L10, L20, L30, L15, L15P, L25, L25P, M10, M20, U10, U18, U28, U60, U55, W10, W30, W35, W45, WV10, WV20, H10</p> <p>Consisting of:</p> <ul style="list-style-type: none"> • Battery (6 V Lithium CRP2 bzw. DL 223A) 	
	Description	Article number
Battery exchange kit CRP2	550.000.04	


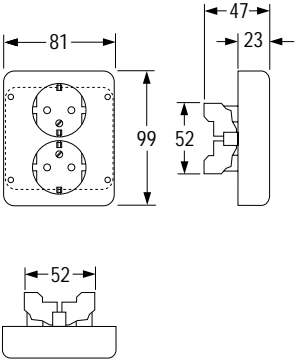
Battery exchange kits

	<p>Battery exchange kit, waterproof coating</p> <p>For all VARIOconnect models and D30, D35, DV30, DV35</p> <p>Consisting of:</p> <ul style="list-style-type: none"> Battery waterproof coating (6 V Lithium CRP2 bzw. DL 223A) 	
Description		Article number
Battery exchange kit, waterproof coating		550.000.05



Battery box

	<p>Waterproof battery box incl. battery</p> <p>For all VARIOconnect models and P10, P20, P30, P15, P25, P35, (M10, M20 til 05/13), G10, G20</p> <p>NOT suitable for ultra GS!</p>	
Description		Article number
Waterproof battery box incl. battery		550.000.06



Concealed double socket

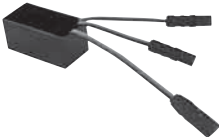

		<p>Concealed double socket</p> <p>Safety double socket with enhanced contact protection, for mounting in a flush mounted single socket</p> <ul style="list-style-type: none"> For all lavatory faucets Offers an available socket for additional electrical devices With 2-pin (2P + E) plug-in connection For commercially available flush-mounted boxes Rated voltage: 250 V AC Rated output: 16
Description		Article number
Concealed double socket		550.047.33

Splitter for multiple installations of units with VARIOconnect

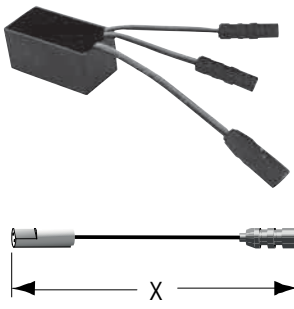
 	<p>Flush-mounted splitter set with flush-mounted outlet for multiple installations</p> <ul style="list-style-type: none"> • Exclusively for use with the flush-mounted central power supply units for multiple faucet/flush valve installations (550.041.00 or 550.045.00) with VARIOconnect • Not compatible with lumino L10i and L10c • One splitter set is required for each connected unit and bypass solenoid valve <p>Consisting of:</p> <ul style="list-style-type: none"> • Flush-mounted box with white cover • Splitter for voltage range 12 VAC/VDC-28 VAC/VDC • 3 Terminals (1x input, 1x output looped, 1x 6 V output) • Installation cable 3000 mm with plug-in connector for faucets/flush valves 	
Description	Installation type	Article number
Flush-mounted splitter set, with flush-mounted outlet	For multiple installations	550.042.00

Splitter for multiple installations with VARIOconnect

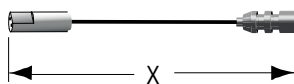
 	<p>Flush-mounted splitter set for multiple installations with surface mounted outlet</p> <ul style="list-style-type: none"> • Exclusively for use with the flush mounted central power supply units for multiple faucet/flush valve installations (550.041.00 or 550.045.00) • Not compatible with lumino L10i and L10c • One splitter set required per connected unit and bypass solenoid valve <p>Consisting of:</p> <ul style="list-style-type: none"> • Flush-mounted box with white cover and cable grommet • Splitter for voltage range 12 VAC/VDC - 28 VAC/VDC • 3 Terminals (1x input, 1x output looped, 1x6 V output) • Installation cable 850 mm routed through the cover, with plug-in connector for faucets 	
Description	Installation type	Article number
Flush-mounted splitter set, with surface-mounted outlet	For multiple installations	550.043.00

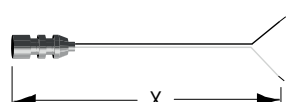
 	<p>Flush-mounted splitter for multiple installations</p> <p>Suitable for:</p> <ul style="list-style-type: none"> • All lavatory faucets (except lumino L10i and L10c), flush-mounted shower faucets and urinal flush valves U10, U18, U28 with VARIOconnect • Exclusively for use with flush-mounted central power supply units for multiple installations (550.041.00 or 550.045.00) • One splitter set required per connected faucet/urinal flush valve and bypass solenoid valve <p>Consisting of:</p> <ul style="list-style-type: none"> • Splitter for voltage range 12 VAC/VDC-28 VAC/VDC • 3 Terminals (60 mm) 	
Description	Installation type	Article number
Flush-mounted splitter set	For multiple installations	550.044.00

Splitter for multiple installations with VARIOconnect


	<p>Flush-mounted splitter for multiple installations</p> <p>Suitable for</p> <ul style="list-style-type: none"> All lavatory faucets (except lumino L10i and L10c), flush-mounted shower faucets and urinal flush valves U10, U18, U28 with VARIOconnect Exclusively for use with flush-mounted central power supply units for multiple installations (550.041.00 or 550.045.00) A splitter set is required for each connected faucet and bypass solenoid valve <p>Consisting of:</p> <ul style="list-style-type: none"> Splitter for voltage range 12 VAC/VDC-28VAC/VDC 3 Terminals (60 mm) Installation cable with length (x) and plug-in connector for faucets 												
	<table border="1"> <thead> <tr> <th>Description</th> <th>Installation type</th> <th>Length (x)</th> <th>Article number</th> </tr> </thead> <tbody> <tr> <td rowspan="2">Flush-mounted splitter</td> <td>For multiple installations</td> <td>1200 mm</td> <td>550.044.12</td> </tr> <tr> <td>For multiple installations</td> <td>3200 mm</td> <td>550.044.32</td> </tr> </tbody> </table>			Description	Installation type	Length (x)	Article number	Flush-mounted splitter	For multiple installations	1200 mm	550.044.12	For multiple installations	3200 mm
Description	Installation type	Length (x)	Article number										
Flush-mounted splitter	For multiple installations	1200 mm	550.044.12										
	For multiple installations	3200 mm	550.044.32										


Installation cable for multiple installations

	<p>Installation cable for multiple installations, 300 mm / 1200 mm / 3200 mm</p> <p>Sheathed with additional protective insulation</p> <p>Consisting of:</p> <ul style="list-style-type: none"> 1x 8 mm plug, water resistant (female) 1x 8 mm plug, water resistant (male) 															
	<table border="1"> <thead> <tr> <th>Description</th> <th>Installations type</th> <th>Length (x)</th> <th>Article number</th> </tr> </thead> <tbody> <tr> <td rowspan="3">Installation cable</td> <td>For multiple installations</td> <td>300 mm</td> <td>550.037.03</td> </tr> <tr> <td>For multiple installations</td> <td>1200 mm</td> <td>550.037.12</td> </tr> <tr> <td>For multiple installations</td> <td>3200 mm</td> <td>550.037.32</td> </tr> </tbody> </table>			Description	Installations type	Length (x)	Article number	Installation cable	For multiple installations	300 mm	550.037.03	For multiple installations	1200 mm	550.037.12	For multiple installations	3200 mm
Description	Installations type	Length (x)	Article number													
Installation cable	For multiple installations	300 mm	550.037.03													
	For multiple installations	1200 mm	550.037.12													
	For multiple installations	3200 mm	550.037.32													


	<p>Installation cable for multiple installations with open wires, 3000 mm</p> <p>Sheathed with additional protective insulation</p> <p>Consisting of:</p> <ul style="list-style-type: none"> 1x Plug 8 mm (female) 1x Tin-plated wires 									
	<table border="1"> <thead> <tr> <th>Description</th> <th>Installations type</th> <th>Length (x)</th> <th>Article number</th> </tr> </thead> <tbody> <tr> <td>Installation cable with open wires</td> <td>For multiple installations</td> <td>3000 mm</td> <td>550.046.30</td> </tr> </tbody> </table>			Description	Installations type	Length (x)	Article number	Installation cable with open wires	For multiple installations	3000 mm
Description	Installations type	Length (x)	Article number							
Installation cable with open wires	For multiple installations	3000 mm	550.046.30							

Conversion kit

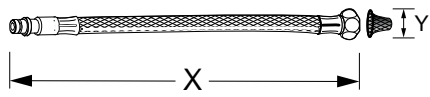
	<p>Conversion kit temperature handle with fixed temperature limit at 42 °C</p> <p>For model W35</p> <ul style="list-style-type: none"> Incl. anchor ring 42 °C 	
Description	Colour	Article number
Conversion set temperature handle with fixed temperature limit at 42 °C	Chromed	550.069.11

	<p>Conversion kit temperature handle with fixed temperature limit at 42 °C</p> <p>For model K30</p> <ul style="list-style-type: none"> Incl. anchor ring 42 °C 	
Description	Colour	Article number
Conversion set temperature handle with fixed temperature limit at 42 °C	Chromed	550.067.11


S-connector

	<p>Connector with stop valve, for surface-mounted faucets, chromed</p> <ul style="list-style-type: none"> DN 15, G 3/4 x G 1/2 SW 2,5 /10 mm eccentric Complete with rosette 2 pieces included 	
Description	Article number	
S-conector with stop valven	550.016.11	

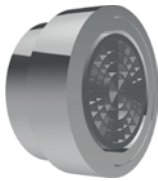
Hose set

	<p>Hose set (hose and filter)</p> <ul style="list-style-type: none"> • One hose made of stainless steel • Connection via plug-adapter • Angle valve connection via alternative connecting nut (3/8", 1/2" or 9/16") • Mesh filter in alternative sizes (3/8", 1/2" or 9/16") • Alternatively available with colour marking on the hose • Not suitable for: lumino, umaxx, Senso, ran • Not suitable for wall-mounted faucets 				
	Description	Connection (Y)	Length (X)	Type	Article number
Hose set (hose and filter)	3/8"	450 mm			550.010.00
	3/8"	600 mm			550.010.01
	1/2"	400 mm			550.010.02
	1/2"	350 mm	blue		550.010.03
	1/2"	350 mm	red		550.010.04
	9/16"	400 mm			550.010.05


Adapter


	<p>Adapter</p> <ul style="list-style-type: none"> • Adapter to connect 3/8" hoses with an 1/2" angle valve • External thread 3/8" - inner thread 1/2" • Including 1/2" flat seal 	
	Description	Type
Adapter	3/8" - 1/2"	550.095.00

Aerator

	<p>Aerator AG M24x1, theft-proof</p> <p>Theft-proof, chromed</p> <p>Connection: AG M24x1 Flow volume: 7,2 l/min / 1,9 gpm (3bar) Water temperature (max.): 90 °C</p> <p>In combination with: CONM3364200000 CONWASH self-closing lavatory faucet</p>	
	Description	Version
Aerator AG M24x1	Theft-proof	CONO810000




Aerator

	Flex aerator with screw thread M24x1		
	<ul style="list-style-type: none"> • Pivoting aerator • Suitable for: A10, A20, L10, L20, L10i, L15P, L25P, M10, M20, A50, WV20, WV10, K10, K20, W35, W45 Adjustment angle: +/- 7°		
Description	Type	Flow rate	Article number
Flex aerator with screw thread M24x1	HONEYCOMB S SR	6 l/min / 1,6 gpm	550.005.11


	Aerator for loopino		
	<ul style="list-style-type: none"> • Suitable for: G10, G20 		
Description	Type	Flow rate	Article number
Aerator for loopino	CACHÉ PCA	1,32 l/min / 0,35 gpm	550.008.11

	Aerator with screw thread M24x1			
	<ul style="list-style-type: none"> • Suitable for: A10, A20, L10, L20, L10i, L15P, L25P, M10, M20, A50, K10, K20, W35, W45 			
	Description	Type	Flow rate	Article number
	Aerator with screw thread M24x1	HONEYCOMB Laminar	6 l/min / 1,6 gpm	550.001.11
		CASCADE PCA	1,89 l/min / 0,5 gpm	550.002.11
PCA Spray		1,32 l/min / 0,35 gpm	550.003.11	
CASCADE PCA		1,32 l/min / 0,35 gpm	550.004.11	


Service Monitor

 <p>Wireless adapter</p>	<p>Service Monitor</p> <p>For wireless communication with compatible faucets (compatible products are marked with ). One Wireless Combox (550.021.00) per faucet necessary.</p> <ul style="list-style-type: none"> • Parametrisation of hygienic rinse (interval rinsing or to define) • Parametrisation thermal disinfection (temperature threshold, as required, turn-on delay,...) • Recording of thermal disinfection and hygienic rinse • Informations about use interval, -time, usage period, battery level.... <p>Basic set for operation on windows PC contains:</p> <ul style="list-style-type: none"> • Software for installation • Wireless USB stick <p>System prerequisite: windows XP, windows 7, USB-port</p> <p>* Symbolic image. PC not included in delivery.</p> 	
Description	Purchase quantities (pcs.) wireless comboxes	Article number
Service Monitor		553.013.00
	From 20 pieces article number 553.021.00	553.013.00
	From 50 pieces article number 553.021.00	553.013.00
	From 100 pieces article number 553.021.00	553.013.00

Wireless combox


	<p>Wireless combox</p> <p>For wireless connection between a faucet and the Service Monitor when using the wireless USB stick.</p> <ul style="list-style-type: none"> • Communication • Time function <p>Important! For communication one wireless USB stick and one Wireless Combox (per faucet) necessary.</p>	
Description	Material	Article number
Wireless combox	Black	553.021.00

BLE Converter for CONTI+ Service APP


	<p>BLE Converter for CONTI+ Service APP</p> <p>To build up a Bluetooth connection between CONTI+ faucets and a mobile control unit as smartphone or tablet. Smart faucet connection via CONTI+ Service App.</p>	
Description	Material	Article number
BLE Converter	Black	CONO260000

Cleaning products

	<p>Microfiber cloth (grey)</p> <p>Soft microfiber cloth for professional use. With velvety surface for slightly textured, smooth and delicate surfaces, very good for cleaning stainless steel, chromed, aluminium, faucets and lacquered surface, washable up to 95 °C.</p>	
Description	Dimension	Article number
Microfiber cloth grey	Approx. 400x400 mm	CONO690200

	<p>Cleaner BR75</p> <p>Swimming pool and sanitary cleaners for all public and private swimming pools, toilets (urinals), showers and bath rooms, acid-resistant tiles and sanitary porcelain, as well as for removal of cement veils.</p>	
Description	Filling quantity	Article number
Cleaner BR75	1000 ml	CONO690100

Tool kit

	<p>Tool kit for service and assembly of CONTI+ faucets</p> <p>Consisting of:</p> <ul style="list-style-type: none"> • 1 Hook wrench 38 mm • 1 Allen key SW 3x36x16,5 • 1 Face spanner adjustable • 1 Face spanner-screwdriver with handle • 1 Hexagon key SW 2x100 • 1 Hexagon key SW 2,5x100 • 1 Hexagon key SW 3x100 • 1 Hexagon key SW 6x160 • 1 Allen key SW SW 4x140x28 • 1 Microfiber cloth • 1 Tool-belt bag 	
Description	Colour	Article number
Tool kit for service and assembly of CONTI+ faucets	Blue	CONO690300



Sanitary equipment

Robust and shapely equipment for the sanitary room

SteelTec stands for safer and attractive products made of high quality stainless steel. From semi-public to public and commercial sectors, these provide the answer to hygiene and safety issues. The use of stainless steel 1.4301 aggravates the development and multiplication of bacteria. Unlike other materials, stainless steel remains permanently smooth. It is scratch and abrasion resistant and chemically resistant.

The design series SteelTec and BJÖRK combines robustness with modern, puristic design. The equipment series includes hand dryers, soap dispensers for liquid/foam soap and disinfectants and diaper changing tables with extremely high resilience. The interchangeable cover plate of the BJÖRK hand dryers and soap dispensers, as well as a wide range of colours enable to integrate optimally the products in their environment.



Sanitary equipment

Design series SteelTec

Hand dryers	362
Paper towel dispensers.....	363
Soap dispensers	364
Toilet paper holders.....	366
Hygiene /waste bins.....	368
Diaper changing tables	370
Paper roll holders /paper.....	372

Design series BJÖRK

Hand dryers	373
Paper dispenser.....	383
Soap dispensers	375
Floor/Table stands	377
Hygiene /waste bins.....	380
Diaper changing tables	382
Paper towel dispensers /paper	383
Toilet paper holders.....	384

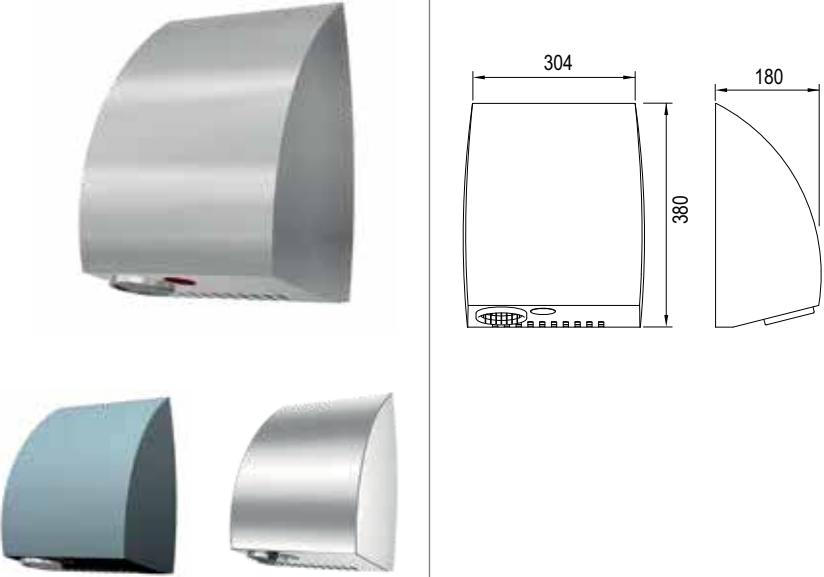
Design series TAP

Hand dryers	385
Soap dispensers	386

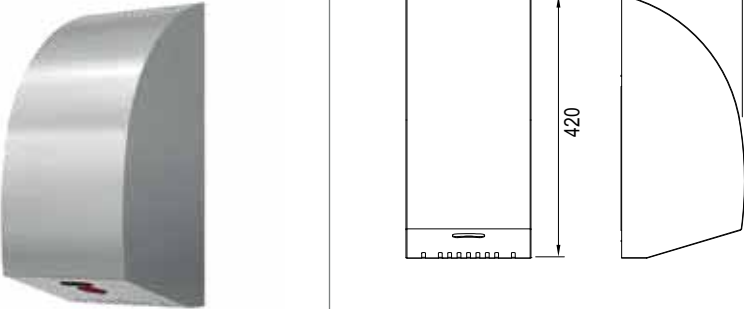
Stainless steel equipment

Hand and hair dryers.....	387
Hygiene /waste bins.....	392
Paper towel dispensers.....	394
Hygienic bag dispensers	395
Diaper changing table.....	396
Soap dispensers	397
Toilet accessories.....	404
Wall mirrors	407
Consumable supplies	408
Washbasins.....	410
Built-in washbasins	419
Drinking fountain.....	420
Wash troughs	421
Laboratory sinks.....	424
Bucket sinks.....	425
Universal drain valve	427
Urinal partition wall	428
Urinals	429
Squat toilet.....	430
Wall-mounted toilets	431


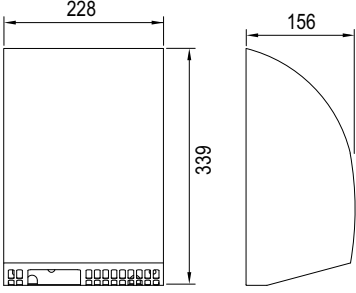
SteelTec hand dryer AE DESIGN

	<p>SteelTec hand dryer AE DESIGN</p> <p>Touchless hand dryer with housing made of 1,5 mm brushed stainless steel, IR sensor and electronic timer.</p> <ul style="list-style-type: none"> • For wall mounting • Drying cycle: approx. 20 - 25 sec. • Almost maintenance-free • With induction motor • 90% recyclable • Air velocity adjustable <p>Weight: 7,65 kg Dimensions (WxHxD): 304x380x180 mm Nominal capacity: 2360 W Noise level: 62 dBa Outlet temperature (max.): 65 °C Protection class: IP23</p>		
Description	Version	Material / Colour	Article number
SteelTec hand dryer AE DESIGN	With IR sensor	Stainless steel matt	CONT21200810280
	With IR sensor	Stainless steel polished	CONT21100810290
	With IR sensor	Stainless steel, RAL	CONT21900810291


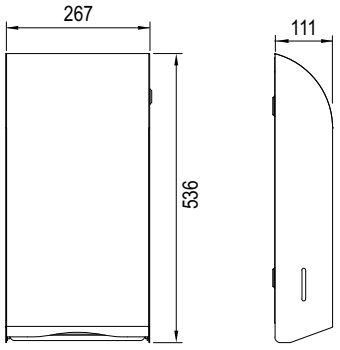
SteelTec hand dryer TURBO DESIGN

	<p>SteelTec hand dryer TURBO DESIGN</p> <p>Touchless hand dryer with housing made of 1,5 mm brushed stainless steel, IR sensor and electronic timer.</p> <ul style="list-style-type: none"> • For wall mounting • Drying cycle: approx. 10 - 15 sec. • Powerful commutator motor • Adjustable sensor range • With lock for effective protection against vandalism • Air velocity adjustable • Additionally available in all RAL colours <p>Weight: 6,9 kg Dimensions (WxHxD): 200x420x198 mm Nominal capacity: 1600 W Noise level: 78 dBa Outlet temperature (max.): 60 °C Protection class: IPX1</p>		
Description	Version	Material / Colour	Article number
SteelTec hand dryer TURBO DESIGN	With IR sensor	Stainless steel matt	CONT21200810288


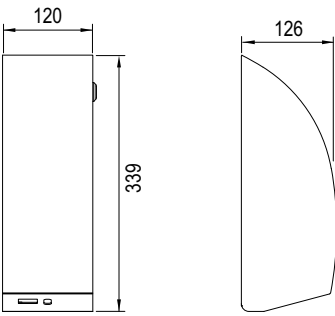
SteelTec hand dryer MINI DESIGN

			<p>SteelTec hand dryer MINI DESIGN</p> <p>Touchless hand dryer with housing made of 1,5 mm brushed stainless steel, IR sensor and electronic timer.</p> <ul style="list-style-type: none"> • For wall mounting • Drying cycle: approx. 30 sec. • Almost maintenance-free • With induction motor • Adjustable sensor range • With lock for effective protection against vandalism • Air velocity adjustable • Additionally available in all RAL colours <p>Weight: 6 kg Dimensions (WxHxD): 228x339x156 mm Nominal capacity: 1800 W Noise level: 64 dBa Outlet temperature (max.): 55 °C Protection class: IP21</p>
Description	Version	Material	Article number
SteelTec hand dryer MINI DESIGN	With IR sensor	Stainless steel matt	CONT21200810281


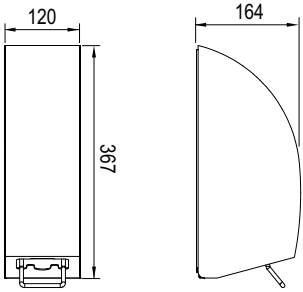
SteelTec paper towel dispenser DESIGN

			<p>SteelTec paper towel dispenser DESIGN</p> <p>Paper towel dispenser with housing made of 1,5 mm brushed stainless steel. 2-ply Z/C-fold paper towels (max. 95x250 mm)</p> <ul style="list-style-type: none"> • For wall mounting • With lock for effective protection against vandalism • Additionally available in all RAL colours <p>Weight: 5 kg Dimensions (WxHxD): 267x536x111 mm Opened (WxHxD): 267x536x460 mm Filling capacity: 400 pcs.</p>
Description	Filling capacity	Material	Article number
SteelTec Paper towel dispenser	400 pcs.	Stainless steel matt	CONT16200710286

SteelTec soap dispenser DESIGN


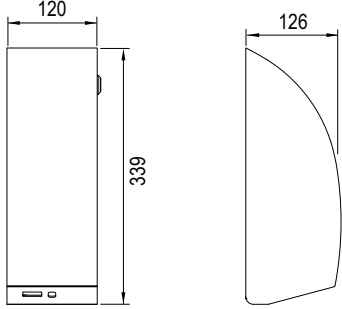
	 <p>Note: Please fill only ready to use disinfection dilution e.g. CONTI+ oXan clean into the dispenser; in case the dilution could be mix within the tank of the dispenser made of e.g. CONTI+ oXan clean concentrate and distilled water.</p>	<p>SteelTec soap dispenser DESIGN</p> <p>Touchless dispenser for liquid soap/ disinfectant, housing made of 1,5 mm brushed stainless steel, AISI 304.</p> <ul style="list-style-type: none"> • For wall mounting • Refillable container • Power connection possible with external transformer* • Intelligent automatically sensor range • LED light for power indicator • With lock for effective protection against vandalism • Additionally available in all RAL colours <p>Weight: 2,5 kg Dimensions (WxHxD): 120x339x126 mm Opened (WxHxD): 120x340x350 mm</p>	
Description	Version	Filling capacity	Article number
SteelTec soap dispenser DESIGN	Liquid soap/ disinfectant	950 ml	CONT17200810282
	Foam soap	800 ml	CONT17200810295

* Not included in the scope of delivery

	 <p>Note: Please fill only ready to use disinfection dilution e.g. CONTI+ oXan clean into the dispenser; in case the dilution could be mix within the tank of the dispenser made of e.g. CONTI+ oXan clean concentrate and distilled water.</p>	<p>SteelTec Soap dispenser DESIGN</p> <p>Manual soap dispenser for liquid soap, housing made of 1,5 mm brushed stainless steel, AISI 304</p> <ul style="list-style-type: none"> • For wall mounting • Manually operated dispenser for liquid soap • 1000-1200 dosages • With lock for effective protection against vandalism • Additionally available in all RAL colours <p>Weight: 2,75 kg Dimensions (WxHxD): 120x367x164 mm Opened (WxHxD): 120x367x363 mm Filling capacity: 1200 ml</p>	
Description	Version	Material	Article number
SteelTec Soap dispenser DESIGN	Liquid soap	Stainless steel matt	CONT17200710296
	Disinfectant	Stainless steel matt	CONT17200710297
	Foam soap	Stainless steel matt	CONT17200710298


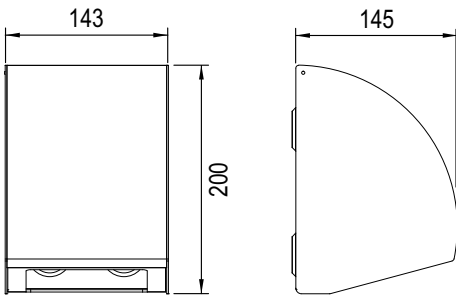
Sanitary equipment


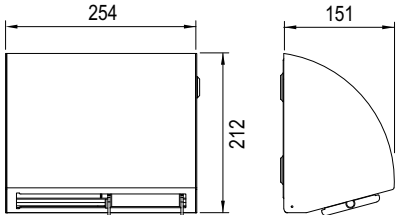
SteelTec soap dispenser DESIGN MEDIC

	 <p>Note: Please fill only ready to use disinfection dilution e.g. CONTI+ oXan clean into the dispenser; in case the dilution could be mix within the tank of the dispenser made of e.g. CONTI+ oXan clean concentrate and distilled water.</p>		<p>SteelTec soap dispenser DESIGN MEDIC</p> <p>Touchless dispenser for liquid soap/ disinfectant, housing made of 1,5 mm brushed stainless steel, AISI 304.</p> <ul style="list-style-type: none"> • For wall mounting • With single-use refill container • Power connection possible with external transformer* • Intelligent automatically sensor range • LED light for power indicator • With lock for effective protection against vandalism • Tested with chlorine • Alternatively available in white, RAL 9003 GL, gloss 75 at extra charge • Standard according to EN 71-3 <p>Weight: 2,7 kg Dimensions (WxHxD): 120x339x126 mm Opened (WxHxD): 120x340x350 mm Filling capacity: 950 ml</p>
Description	Version	Material	Article number
SteelTec soap dispenser DESIGN MEDIC	Liquid soap/ disinfectant	Stainless steel matt	CONT17200811282


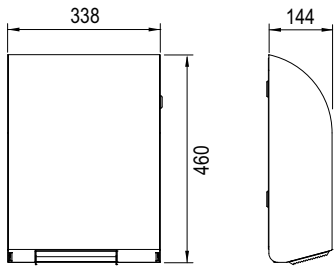
* Not included in the scope of delivery


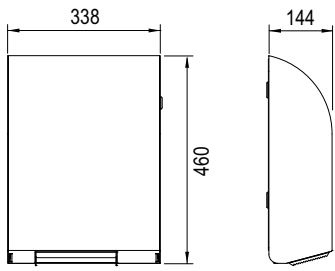
SteelTec toilet paper holder DESIGN

		<p>SteelTec toilet paper holder DESIGN, for 1 standard paper roll</p> <p>Toilet paper holder with housing made of 1,5 mm brushed stainless steel, AISI 304.</p> <ul style="list-style-type: none"> • For 1 standard size paper roll • For wall mounting • Easy access during paper roll exchange • Additionally available in all RAL colours <p>Weight: 2 kg Dimensions (WxHxD): 143x200x145 mm Opened (WxHxD): 143x200x200 mm Filling capacity: standard size paper roll</p>	
Description	Filling capacity	Material	Article number
SteelTec toilet paper holder DESIGN	1 Standard paper roll	Stainless steel matt	CONT13200710277


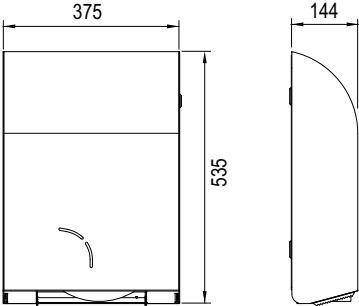
		<p>SteelTec toilet paper holder DESIGN, for 2 standard paper rolls</p> <p>Toilet paper holder with housing made of 1,5 mm brushed stainless steel, AISI 304.</p> <ul style="list-style-type: none"> • For 2 standard size paper rolls • For wall mounting • Easy access during paper roll exchange • Additionally available in all RAL colours <p>Weight: 3,15 kg Dimensions (WxHxD): 254x212x151 mm Opened (WxHxD): 254x212x220 mm Filling capacity: 2 Standard paper size rolls</p>	
Description	Filling capacity	Material	Article number
SteelTec toilet paper holder DESIGN	2 Standard size paper rolls	Stainless steel matt	CONT13200710278

SteelTec toilet paper holder DESIGN


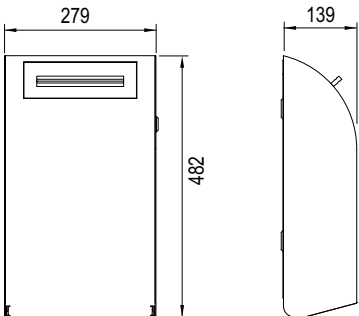
			<p>SteelTec toilet paper holder DESIGN</p> <p>Toilet paper holder with housing made of 1,5 mm brushed stainless steel, AISI 304.</p> <ul style="list-style-type: none"> • For 4 standard size paper rolls • For wall mounting • With lock for effective protection against vandalism • Easy access during paper roll exchange • Additionally available in all RAL colours <p>Weight: 8 kg Dimensions (WxHxD): 338x460x144 mm Opened (WxHxD): 338x460x435 mm Filling capacity: 4 pcs. standard size paper rolls</p>
Description	Filling capacity	Material	Article number
SteelTec Toilet paper holder DESIGN	4 standard size paper rolls	Stainless steel matt	CONT13200710285

			<p>SteelTec WC toilet paper holder DESIGN</p> <p>Toilet paper holder with housing made of 1,5 mm brushed stainless steel, AISI 304.</p> <ul style="list-style-type: none"> • For 1 maxi toilet paper roll • For wall mounting • With lock for effective protection against vandalism • Easy access during paper roll exchange • Additionally available in all RAL colours <p>Weight: 6,5 kg Dimensions (WxHxD): 338x460x144 mm Opened (WxHxD): 338x460x435 mm Filling capacity: 1 maxi paper roll</p>
Description	Filling capacity	Material	Article number
SteelTec toilet paper holder DESIGN	1 maxi toilet paper roll	Stainless steel matt	CONT13200710287


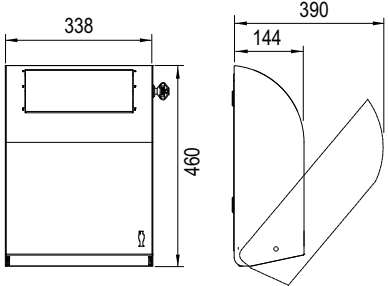
SteelTec toilet paper holder DESIGN


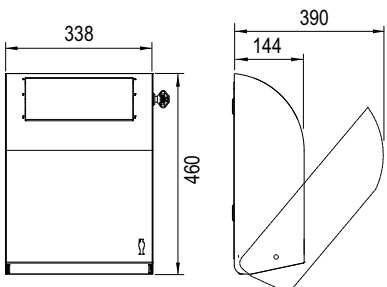
		<p>SteelTec toilet paper holder DESIGN, for 1 maxi and 1 standard size paper roll</p> <p>Toilet paper holder with housing made of 1,5 mm brushed stainless steel, AISI 304</p> <ul style="list-style-type: none"> • For wall mounting • Economical model with minimal paper waste • With practical inspection hole for easy control of the amount of paper • With lock for effective protection against vandalism • Additionally available in all RAL colours <p>Weight: 9,9 kg Dimensions (WxHxD): 375x535x144 mm Opened (WxHxD): 375x535x506 mm Filling capacity: 1 maxi paper roll + 1 standard size paper roll</p>	
Description	Filling capacity	Material	Article number
SteelTec toilet paper holder DESIGN	1 maxi paper roll + 1 standard size paper roll	Stainless steel matt	CONT13200710289

SteelTec hygiene bin DESIGN


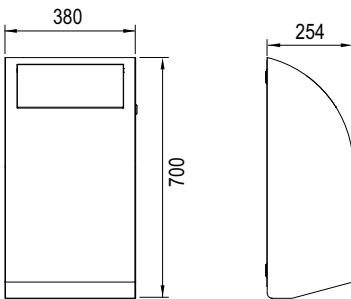
		<p>SteelTec hygiene bin DESIGN</p> <p>Hygiene bin with housing made of 1,5 mm brushed stainless steel, AISI 304</p> <ul style="list-style-type: none"> • For wall mounting • With hygienic sluice insertion flap • With fully welded, stainless inner bucket • With lock for effective protection against vandalism • Additionally available in all RAL colours <p>Weight: 7 kg Dimensions (WxHxD): 279x482x139 mm Opened (WxHxD): 279x482x350 mm Filling capacity: 7 l</p>	
Description	Filling capacity	Material	Article number
SteelTec hygiene bin DESIGN	7 l	Stainless steel matt	CONT18270710283

SteelTec waste bin DESIGN


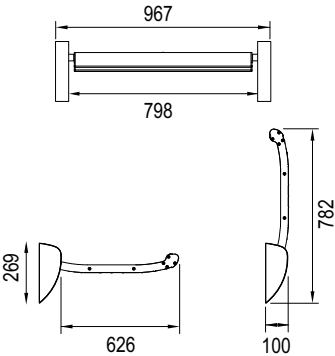
		<p>SteelTec waste bin DESIGN</p> <p>Waste bin and sanitary box made of 1,5 mm brushed stainless steel, AISI 304</p> <ul style="list-style-type: none"> • For wall mounting • With hinged lid • With fully welded, stainless inner bucket • With lock for effective protection against vandalism • Additionally available in all RAL colours <p>Weight: 8,1 kg Dimensions (WxHxD): 338x460x144 mm Opened (WxHxD): 338x460x320 mm Filling capacity: 11 l</p>	
Description	Version	Filling capacity	Article number
SteelTec waste bin DESIGN	With hinged lid	11 l	CONT18270710279

		<p>SteelTec waste bin DESIGN</p> <p>Waste bin and sanitary box made of 1,5 mm brushed stainless steel, AISI 304</p> <ul style="list-style-type: none"> • For wall mounting • With self-closing swing lock • With fully welded, stainless inner bucket • With lock for effective protection against vandalism • Additionally available in all RAL colours <p>Weight: 8,6 kg Dimensions (WxHxD): 338x460x144mm Opened (WxHxD): 338x460x320 mm Filling capacity: 12 l</p>	
Description	Version	Filling capacity	Article number
SteelTec waste bin DESIGN	With self-closing swing lock	12 l	CONT18270710294

SteelTec waste bin DESIGN


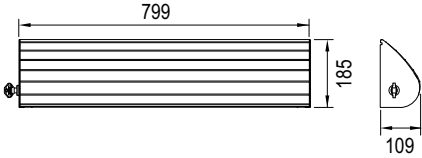
			<p>SteelTec waste bin DESIGN</p> <p>Waste bin with housing made of 1,5 mm brushed stainless steel, AISI 304.</p> <ul style="list-style-type: none"> • For wall mounting • With self-closing swing lock • With fully welded, stainless inner bucket • Easy opening / closing with two shock absorbers • Lock for effective protection against vandalism • Additionally available in all RAL colours <p>Weight: 17,2 kg Dimensions (WxHxD): 380x700x254 mm Opened (WxHxD): 380x700x460 mm Filling capacity: 30 l</p>							
	<table border="1"> <thead> <tr> <th>Description</th> <th>Version</th> <th>Material</th> <th>Article number</th> </tr> </thead> <tbody> <tr> <td>SteelTec waste bin DESIGN</td> <td>With self-closing swing lock</td> <td>Stainless steel matt</td> <td>CONT18270710284</td> </tr> </tbody> </table>			Description	Version	Material	Article number	SteelTec waste bin DESIGN	With self-closing swing lock	Stainless steel matt
Description	Version	Material	Article number							
SteelTec waste bin DESIGN	With self-closing swing lock	Stainless steel matt	CONT18270710284							

SteelTec diaper changing table


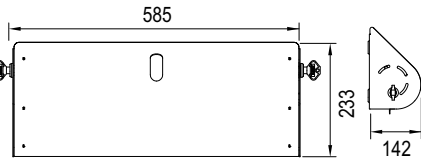
			<p>SteelTec diaper changing table</p> <p>Wall-mounted safety diaper changing table with belt. Brackets for wall mounting and end flanges: brushed stainless steel. Available as standard version with white aluminium profile.</p> <ul style="list-style-type: none"> • For wall mounting • Made of cleaning-friendly materials • Can be folded up • Strong, safety strap and rounded edges • Additionally available in all RAL colours and coated with different prints • Can be combined with matching paper roll holder • Without fastening material <p>Weight: 17,1 kg Closed (WxHxD): 967x782x100 mm Opened (WxHxD): 967x782x626 mm Winding surface (L): 790 mm W (without brackets): 798 mm W (incl. brackets): 967 mm Load capacity: Up to 400 kg</p>										
	<p>To combine with CONT13200710656 toilet paper holder CONT13200710655 toilet paper holder</p> <table border="1"> <thead> <tr> <th>Description</th> <th>Version</th> <th>Material</th> <th>Article number</th> </tr> </thead> <tbody> <tr> <td rowspan="2">SteelTec diaper changing table</td> <td>With safety strap</td> <td>White-painted aluminium</td> <td>CONT25578710659</td> </tr> <tr> <td>Without safety strap</td> <td>White-painted aluminium</td> <td>CONT25578710660</td> </tr> </tbody> </table>			Description	Version	Material	Article number	SteelTec diaper changing table	With safety strap	White-painted aluminium	CONT25578710659	Without safety strap	White-painted aluminium
Description	Version	Material	Article number										
SteelTec diaper changing table	With safety strap	White-painted aluminium	CONT25578710659										
	Without safety strap	White-painted aluminium	CONT25578710660										

Sanitary equipment

SteelTec paper holder for diaper changing table

		<p>SteelTec paper holder for diaper changing table</p> <p>Toilet paper holder for diaper changing table. Available as standard version with white aluminium profile.</p> <ul style="list-style-type: none"> • For wall mounting • Hygienic solution • Very sturdy model with safety locks • Holds 700x100 mm paper rolls • Additionally available in all RAL colours • Can be combined with diaper changing table <p>Weight: 3,5 kg Dimensions (WxHxD): 799x185x109 mm</p>
Description	Material	Article number
SteelTec paper holder for diaper changing table	White-painted aluminium	CONT13200710655

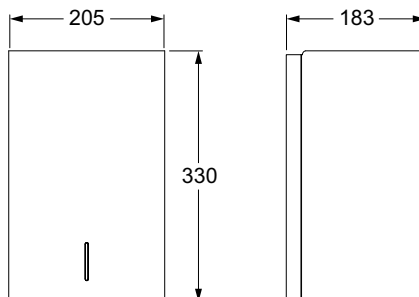
SteelTec paper holder for diaper changing table, double-sided closure

		<p>SteelTec paper holder for diaper changing table</p> <p>Toilet paper holder made of stainless steel. Fits most types of paper rolls. With closure at both ends.</p> <ul style="list-style-type: none"> • For wall mounting • Fits to several kinds of paper rolls • Locks at both ends and thus well suited for corner installation • With lock for effective protection against vandalism • Spyhole to check the paper level • Integrated gas spring enables easy one-handed paper refill • Additionally available in all RAL colours • Can be combined with diaper changing table <p>Weight: 4 kg Dimensions (WxHxD): 585x233x142 mm</p>	
Description	Version	Material	Article number
SteelTec toilet paper holder for diaper changing table	Double-sided closure	Stainless steel	CONT13200710656

SteelTec paper roll with sleeve for paper roll holder

	<p>SteelTec paper roll with sleeve for paper roll holder</p> <p>Paper roll with sleeve for paper roll holder. Paper rolls that can be torn off in matching sheets for the winding surface of the wall-mounted diaper changing table. The paper is torn off with only one hand, so that one hand is always free for the child.</p> <ul style="list-style-type: none"> • A practical, hygienic solution to ensure a clean changing surface • Optimum hygiene for nappy change • Suitable for paper roll holder for diaper changing table <p>Weight: 2,7 kg Dimensions (length x Ø): 700x100 mm (50 pieces) 700x100 mm (105 pieces) 500 x100 mm (100 pieces)</p> <p>Colour: White Weight per m²: 41 / 40 / 60 g/m² Packaging unit: 2 rolls</p> <p>* Suitable for paper holder CONT13200710656 ** Suitable for paper holder CONT13200710655</p>		
Description	Quantity	Weight per m ²	Article number
Paper roll with sleeve for paper roll holder	50 Pieces per roll	60 g (700x100 mm)	CONT41000000667 **
	105 Pieces per roll	41 g (700x100 mm)	CONT41000000657 **
	100 Pieces per roll	40 g (500x100 mm)	CONT41000000668 *

BJÖRK hand dryer



BJÖRK hand dryer

Touchless hand dryer with stainless steel housing in Black matt, White or RAL colours. Designed with cover plate, with IR sensor and electronic timer.

- For wall mounting
- Drying cycle: approx. 10-15 sec.
- Powerful commutator motor
- Additionally available in all RAL colours
- Top plate in 6 optional standard colours
- LED light for power indicator
- Adjustable sensor range

Weight: 6,5 kg
 Dimensions (WxHxD): 205x330x183 mm
 Nominal capacity: 1600 W
 Noise level: 76 dBA
 Outlet temperature (max.): 60 °C
 Protection class: IPX1

***Note:**
 Colour Black matt: Gloss level 10
 Colour White: Gloss level 60
 RAL colours: Degree of gloss to be indicated

BJÖRK



**reddot award 2015
 winner**

Top plate in 6 optional standard designs
 Negro Ingo
 Bianco Male
 Birke
 Eastwood Lava
 Beton Natur
 Schiefer

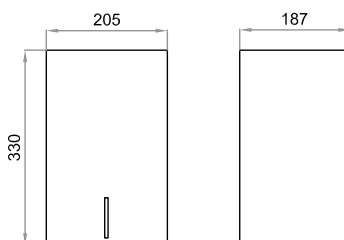
Please add the desired top plate to your order!



Description	Version	Colour	Article number
BJÖRK hand dryer	With IR sensor	Black matt*	CONT21600813006
	With IR sensor	White*	CONT21500813000
	With IR sensor	RAL colours*	CONT21900813002

BJÖRK Paper dispenser for paper rolls with inside unwinding

NEW



BJÖRK Paper dispenser for paper rolls with inside unwinding

Paper dispenser for paper rolls with inside unwinding and powder coated stainless steel casing in Black matt, White or RAL colours. Provided with cover made of laminate.

- For wall mounting
- Large capacity
- Interlocking and universal key
- One-handed operation
- Easy replacement of the paper roll

Net weight: 3,7 kg
without paper roll
Dimensions (WxHxD): 205x330x187 mm
Paper roll ØxH (max.): 150x225 mm

Scope of delivery without paper roll.

***Note:**
Colour Black matt: Gloss level 10
Colour White: Gloss level 60
RAL colours: Degree of gloss to be indicated

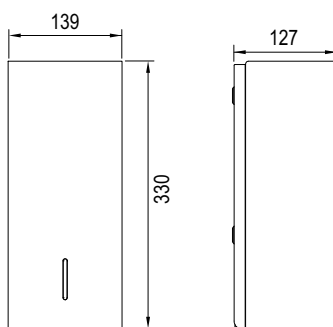
Top plate in 6 optional standard designs
Negro Ingo
Bianco Male
Birke
Eastwood Lava
Beton Natur
Schiefer

Please add the desired top plate to your order!



Description	Colour	Article number
BJÖRK Paper dispenser for paper rolls with inside unwinding	Black matt*	CONT16670013275
	White*	CONT16570013270
	RAL colours*	CONT16970013280

BJÖRK soap dispenser / disinfectant dispenser



BJÖRK soap dispenser

Touchless soap dispenser for liquid soap and disinfectant with stainless steel housing in powder coated Black matt, White and RAL colours. Designed with cover plate and IR sensor.

- For wall mounting
- Holds approx. 9,5 dl liquid soap
- Battery-operated. Possibility to connect to power supply via transformer
- Additionally available in all RAL colours
- Top plate in 6 optional standard colours
- LED light for power indicator
- An intelligent sensor automatically sets the best sensor range

Weight: 2,3 kg
 Dimensions (WxHxD): 139x330x127 mm
 Opened (WxHxD): 139x330x330 mm
 Content: 950 ml

***Note:**
 Colour Black matt: Gloss level 10
 Colour White: Gloss level 60
 RAL colours: Degree of gloss to be indicated

Top plate in 6 optional standard designs
 Negro Ingo
 Bianco Male
 Birke
 Eastwood Lava
 Beton Natur
 Schiefer

Please add the desired top plate to your order!

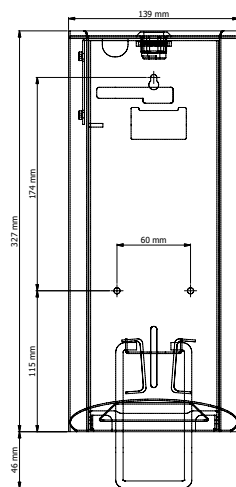


Note: Please fill only ready to use disinfection dilution e.g. CONTI+ oXan clean into the dispenser; in case the dilution could be mix within the tank of the dispenser made of e.g. CONTI+ oXan clean concentrate and distilled water.

Description	Verson	Colour	Article number
BJÖRK Soap dispenser	with IR sensor	Black matt*	CONT17600813056
	with IR sensor	White*	CONT17500813050
	with IR sensor	RAL colours*	CONT17900813052

BJÖRK Manual dispenser for liquid soap/foam soap or disinfectant

NEW



BJÖRK Manual dispenser for liquid soap/foam soap or disinfectant

Manual dispenser for liquid soap/foam soap or disinfectant, powder coated stainless steel casing in Black matt, White or RAL colours. Provided with cover made of laminate.

- For wall mounting
- Manual operating
- Interlocking and universal key
- Capacity: approx. 1,2 l (= 1000-1200 dosages)

Net weight: 2,4 kg
 Dimensions (WxHxD): 128x373x139 mm
 opened (WxHxD): 128x373x330 mm
 content: 1200 ml

***Note:**
 Colour Black matt: Gloss level 10
 Colour White: Gloss level 60
 RAL colours: Degree of gloss to be indicated

- Top plate in 6 optional standard designs
- Negro Ingo
 - Bianco Male
 - Birke
 - Eastwood Lava
 - Beton Natur
 - Schiefer


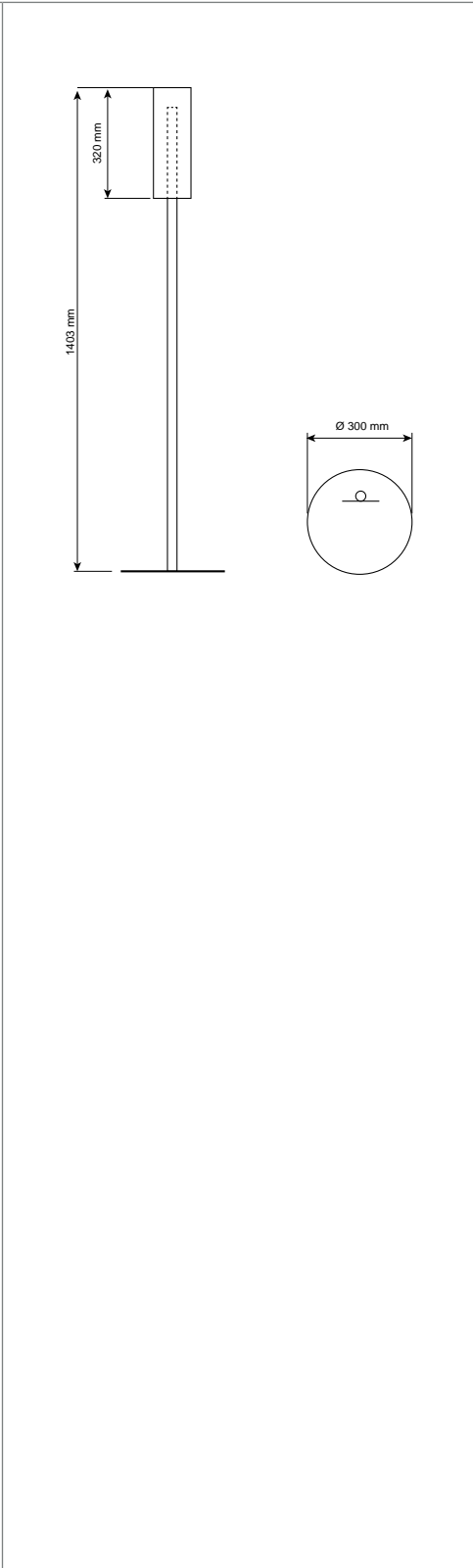
Please add the desired top plate to your order!



Note: Please fill only ready to use disinfection dilution e.g. CONTI+ oXan clean into the dispenser; in case the dilution could be mix within the tank of the dispenser made of e.g. CONTI+ oXan clean concentrate and distilled water.

Description	Colour	Article number
BJÖRK dispenser for liquid soap	Black matt*	CONT17670013125
	White*	CONT17570013120
	RAL colours*	CONT17970013130
BJÖRK dispenser for foam soap	Black matt*	CONT17670013165
	White*	CONT17570013160
	RAL colours*	CONT17970013170
BJÖRK dispenser for disinfectant	Black matt*	CONT17670013145
	White*	CONT17570013140
	RAL colours*	CONT17970013150

BJÖRK floor stand

		<p>BJÖRK floor stand for BJÖRK disinfectant dispenser</p> <p>Mobile powder coated floor stand made of stainless steel for BJÖRK disinfectant dispenser.</p> <p>Height: 1403 mm Diameter: 300 mm Weight: 4 kg</p>
Description	Colour	Article number
BJÖRK Floor stand	Black	CONT43600073135
	White	CONT43500073136
	Silver	CONT43400073137

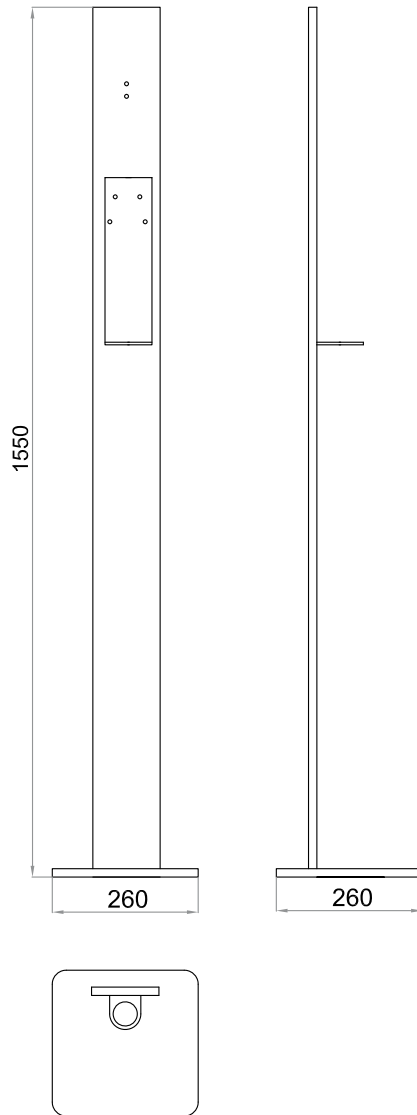
Sanitary equipment

BJÖRK floor stand for disinfectant dispensers, with drip tray, height 155 cm

NEW



Note: Suitable for BJÖRK, SteelTec and Elegance disinfectant dispensers



BJÖRK Floor stand for touch-free disinfectant dispenser

Mobile floor stand for the fixing of disinfectant dispensers for installation at highly frequented locations and entrances in Black matt, White or RAL colours.

- Made of steel and aluminium
- With integrated drip tray
- For fixing touch-free disinfectant dispensers

Weight: 8 kg
Dimensions (WxHxD): 260x1550x260 mm

***Note:**
Colour Black matt: Gloss level 10
Colour White: Gloss level 60
RAL colours: Degree of gloss to be indicated

Description	Colour	Article number
BJÖRK Floor stand for touch-free disinfectant dispenser	Black matt*	CONT43600073181
	White*	CONT43500073180
	RAL colours*	CONT43900073182

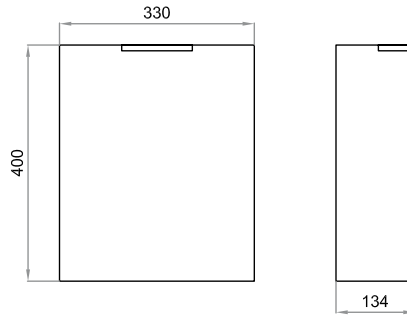
Sanitary equipment

BJÖRK table stand for disinfectant dispensers, with drip tray, height 65 cm

<p>NEW</p>    <p>Note: Suitable for BJÖRK, SteelTec and Elegance disinfectant dispensers</p> 		<p>BJÖRK Table stand for touch-free disinfectant dispenser</p> <p>Mobile table stand for the fixing of disinfectant dispensers for installation at highly frequented locations and entrances in Black matt, White or RAL colours.</p> <ul style="list-style-type: none"> • made of steel and aluminium • with integrated drip tray • for fixing touch-free disinfectant dispensers <p>Weight: 4 kg Dimensions (WxHxD): 210x650x210 mm</p> <p>*Note: Colour Black matt: Gloss level 10 Colour White: Gloss level 60 RAL colours: Degree of gloss to be indicated</p>
Description	Colour	Article number
BJÖRK Table stand for touch-free disinfectant dispenser	Black matt*	CONT43600083176
	White*	CONT43500083175
	RAL colours*	CONT43900083177

BJÖRK Hygiene box 12 l

NEW



BJÖRK Hygiene box 12 l

Hygiene box with powder coated stainless steel casing in Black matt, White or RAL colours.

- For wall mounting
- Capacity: 12 l
- With hinged lid
- Inner, spring-loaded bag holder
- Hygienic and easy replacement of the garbage bag

Dimensions (WxHxD): 330x400x134 mm
 Net weight: 6,2 kg

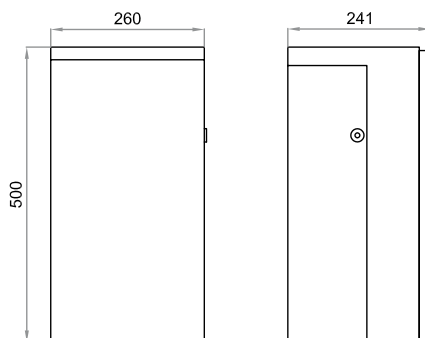
***Note:**

Colour Black matt: Gloss level 10
 Colour White: Gloss level 60
 RAL colours: Degree of gloss to be indicated

Description	Colour	Article number
BJÖRK Hygiene box 12 l	Black matt*	CONT18670013305
	White*	CONT18570013300
	RAL colours*	CONT18970013310

BJÖRK Waste bin 18l

NEW



BJÖRK Waste bin 18l

Spacious waste bin with powder coated stainless steel casing in in Black matt, White or RAL colours.

- For wall mounting
- Capacity: 18 l
- Interlocking and universal key
- Door with side arrangement
- Easy replacement of the bin liner

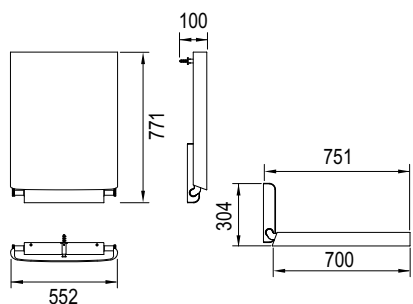
Dimensions (WxHxD): 260x500x241 mm
 Net weight: 7,8 kg

***Note:**
 Colour Black matt: Gloss level 10
 Colour White: Gloss level 60
 RAL colours: Degree of gloss to be indicated

Description	Colour	Article number
BJÖRK Waste bin 18l	Black matt*	CONT18670013325
	White*	CONT18570013320
	RAL colours*	CONT18970013330

BJÖRK diaper changing table

NEW



BJÖRK diaper changing table

Wall-mounted diaper changing table.
Lacquered aluminium profile.
Wall bracket: lacquered steel plate.
Swivel: electro-galvanized steel.

- For wall mounting
- Strong materials with rounded edges for optimal safety
- Ideal for toilets with limited wall space
- Easy opening and closing motion
- Additionally available in all RAL colours
- Without fastening material

Weight:	17 kg
Closed (WxHxD):	552x771x100 mm
Opened (HxD):	304x751 mm
Winding surface (LxB):	700x510 mm
Colour:	Black matt White All RAL colours
Load capacity:	Max. 80 kg
Norms:	EN 12221-1:2008 + A1:2013

To combine with:

CONT25678713205, CONT25578713200,
CONT25978713210
BJÖRK diaper changing table*

***Note:**

Colour Black matt: Gloss level 10
Colour White: Gloss level 60
RAL colours: Degree of gloss to be indicated


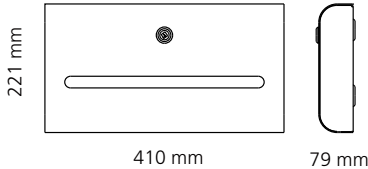


* Example: combination
BJÖRK diaper changing table
BJÖRK paper towel dispenser

Description	Dimensions (HxWxD)	Colour	Article number
BJÖRK diaper changing table	771x552x100 mm	Black matt*	CONT25678713205
	771x552x100 mm	White*	CONT25578713200
	771x552x100 mm	RAL colours*	CONT25978713210

Sanitary equipment


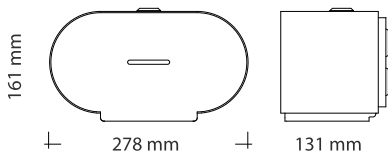
BJÖRK paper towel dispenser


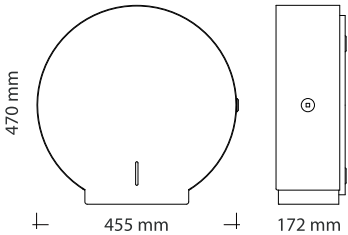
			<p>BJÖRK paper towel dispenser for BJÖRK diaper changing table</p> <p>Paper towel dispenser for BJÖRK diaper changing table made of powder coated stainless steel.</p> <ul style="list-style-type: none"> • For wall mounting • With safety interlock • Additionally available in all RAL colours <p>Weight: 2,5 kg Dimensions (WxHxD): 410x221x79 mm</p> <p>To combine with: CONT25678713205, CONT25578713200, CONT25978713210 BJÖRK diaper changing table*</p> <p>*Note: Colour Black matt: Gloss level 10 Colour White: Gloss level 60 RAL colours: Degree of gloss to be indicated</p>
	Description	Dimensions (HxWxD)	Colour
BJÖRK Paper towel dispenser for BJÖRK diaper changing	221x410x70 mm	Black matt*	CONT13600713255
	221x410x70 mm	White*	CONT13500713250
	221x410x70 mm	RAL colours*	CONT13900713260

Paper changing mats for BJÖRK paper dispenser for BJÖRK diaper changing table



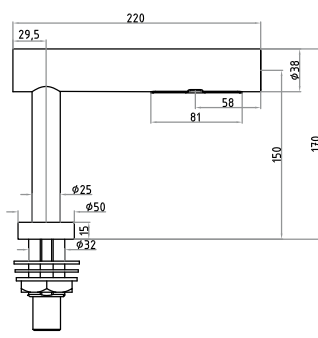
	<p>Paper changing mats for BJÖRK paper dispenser</p> <p>Single 3-layer paper tissues, which can be pulled from the W-fold bundle as individual paper napkins from the dispenser, offering an inexpensive, hygienic solution.</p> <ul style="list-style-type: none"> • Practical and hygienic solution for a clean wrapping surface • Extra comfort and hygiene during diaper changing • Suitable for the BJÖRK paper dispenser <p>Packaging unit: 30 sheets per bundle, box with 9 bundles Net weight: 1 kg</p>		
	Description	Dimensions	Packaging unit
Paper changing mats for BJÖRK paper dispenser/diaper changing table	Single paper tissues 203x340 mm	9 bundles/Box	CONT41000003265

BJÖRK toilet paper holder



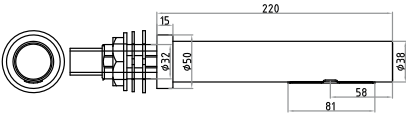
			<p>BJÖRK toilet paper holder, for 2 standard size paper rolls</p> <p>Toilet paper holder made of powder coated stainless steel.</p> <ul style="list-style-type: none"> • For wall mounting • For 2 standard size paper rolls • Additionally available in all RAL colours <p>Weight: 3 kg Dimensions (WxHxD): 278x161x131 mm</p> <p>*Note: Colour Black matt: Gloss level 10 Colour White: Gloss level 60 RAL colours: Degree of gloss to be indicated</p>
	Description	Version	Colour
BJÖRK toilet paper holder	For 2 standard size paper rolls	Black matt*	CONT13600713375
		White*	CONT13500713370
		RAL colours*	CONT13900713380

			<p>BJÖRK toilet paper holder, for 1 jumbo and 1 standard size paper roll</p> <p>Toilet paper holder made of powder coated stainless steel.</p> <ul style="list-style-type: none"> • For wall mounting • For 1 jumbo and 1 standard size paper roll • Additionally available in all RAL colours <p>Weight: 8 kg Dimensions (WxHxD): 455x470x172 mm</p> <p>*Note: Colour Black matt: Gloss level 10 Colour White: Gloss level 60 RAL colours: Degree of gloss to be indicated</p>
	Description	Version	Colour
BJÖRK toilet paper holder	For 1 jumbo and 1 standard size paper roll	Black matt*	CONT13600713355
		White*	CONT13500713350
		RAL colours*	CONT13900713360

Hand dryer AirTap, basin installation


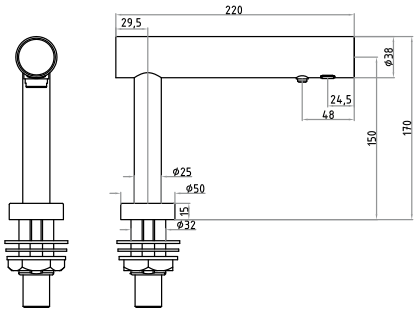
 			<p>Hand dryer AirTap, basin installation</p> <p>Touchless hand dryer for basin installation.</p> <ul style="list-style-type: none"> • Intelligent temperature control and automatic adjustment • Powerful commutator motor with carbon brushes for rear mounting • IR sensor and electronic timer • Adjustable activation distance: 20–130 mm • Safety shut-down after 60 s continuous operation • Casing: stainless steel, satin finish <p>Weight: 5,6 kg Dimensions (HxØxD): 170x50x220 mm Operating voltage: 230 V Nominal capacity: 1000 W Outlet temperature (max.): 57 °C Drying time: 10–15 s Noise level: 68,5–70,5 dB Protection class: IP35</p>
	Description	Version	Material / Colour
Hand dryer AirTap	Basin installation	Stainless steel	CONT21206830370

Hand dryer AirTap, wall mounting


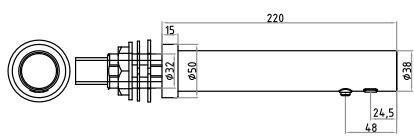
 			<p>Hand dryer AirTap, wall mounting</p> <p>Touchless hand dryer for wall mounting.</p> <ul style="list-style-type: none"> • For mounting behind a panel or mirror • Intelligent temperature control and automatic adjustment • Powerful commutator motor with carbon brushes for rear mounting • IR sensor and electronic timer • Adjustable activation distance: 20–130 mm • Safety shut-down after 60 s continuous operation • Casing: stainless steel, satin finish <p>Weight: 5,6 kg Dimensions (HxØxD): 50x38x220 mm Operating voltage: 230 V Nominal capacity: 1000 W Outlet temperature (max.): 57 °C Drying time: 10–15 s Noise level: 68,5–70,5 dB Protection class: IP35</p>
	Description	Version	Material / Colour
Hand dryer AirTap	Wall mounting	Stainless steel	CONT21206840372

Sanitary equipment

Soap dispenser SoapTap, basin installation


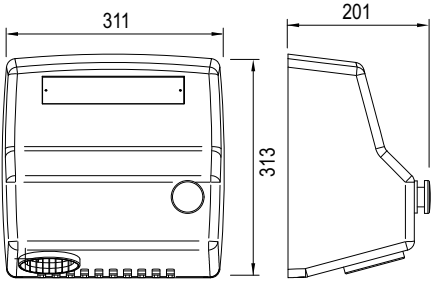
			<p>Soap dispenser SoapTap for liquid soap/foam soap or disinfectant, basin installation</p> <p>Touchless soap dispenser for liquid soap/foam soap or disinfectant for basin installation.</p> <ul style="list-style-type: none"> • Soap container and pumping unit for mounting under the table • IR sensor and electronic timer • Adjustable activation distance: 20–150 mm • Casing: stainless steel, satin finish <p>Weight: 1,25 kg Dimensions (HxØxD): 170x50x220 mm Capacity: 15 dl Dosage: 1000–1500 d Operating voltage: 230 V Protection class: IP35</p>
	<p>Note: Please fill only ready to use disinfection dilution e.g. CONTI+ oXan clean into the dispenser; in case the dilution could be mix within the tank of the dispenser made of e.g. CONTI+ oXan clean concentrate and distilled water.</p>		
Description	Version	Material / Colour	Article number
Soap dispenser SoapTap, basin installation	Liquid soap/ Disinfectant	Stainless steel	CONT17206830376
	Foam soap	Stainless steel	CONT17206830380


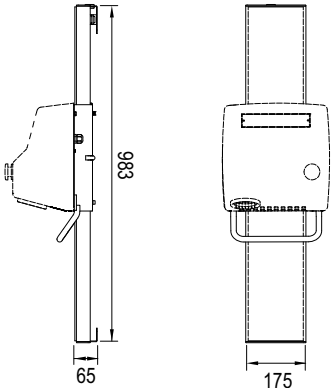
Soap dispenser SoapTap, wall mounting

			<p>Soap dispenser SoapTap for liquid soap/foam soap or disinfectant, wall mounting</p> <p>Touchless soap dispenser for liquid soap/foam soap or disinfectant for wall mounting.</p> <ul style="list-style-type: none"> • For mounting behind a panel or mirror • Soap container and pumping unit for mounting under the table • IR sensor and electronic timer • Adjustable activation distance: 20–150 mm • Casing: stainless steel, satin finish <p>Weight: 1,25 kg Dimensions (HxØxD): 50x38x220 mm Capacity: 15 dl Dosage: 1000–1500 d Operating voltage: 230 V Protection class: IP35</p>
	<p>Note: Please fill only ready to use disinfection dilution e.g. CONTI+ oXan clean into the dispenser; in case the dilution could be mix within the tank of the dispenser made of e.g. CONTI+ oXan clean concentrate and distilled water.</p>		
Description	Version	Material / Colour	Article number
Soap dispenser SoapTap, wall mounting	Liquid soap/ disinfectant	Stainless steel	CONT17206840378
	Foam soap	Stainless steel	CONT17206840382

Sanitary equipment

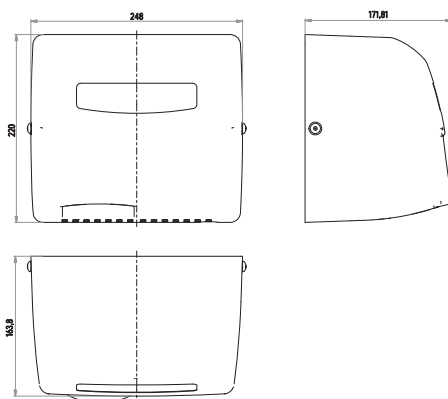
Hand and hair dryer

			<p>Hand and hair dryer</p> <p>White hand and hair dryer with 4 mm die-cast aluminium housing, with push button and infinitely adjustable electronic timer for drying cycle.</p> <ul style="list-style-type: none"> • For wall mounting • With push button activation • Drying cycle of approx. 25-170 sec. • Standard version: white • Additionally available in all RAL colours • Almost maintenance-free • With induction motor <p>Weight: 7,45 kg Dimensions (WxHxD): 311x313x201 mm Nominal capacity: 2360 W Noise level: 62 dBA Outlet temperature (max.): 65 °C Protection class: IP23 Material: 4 mm die-cast aluminium, white</p>
<p>Description</p>	<p>Version</p>	<p>Colour</p>	<p>Article number</p>
<p>Hand and hair dryer</p>	<p>Manual</p>	<p>White</p>	<p>CONT26500710100</p>

			<p>Height adjustment rail for hair dryer</p> <p>Height adjustment rail for electrical hair dryer. Infinitely adjustment range up to 500 mm.</p> <ul style="list-style-type: none"> • Stepless height adjustment within a 50 cm range • Sturdy rail fitted with strong gas springs <p>Weight: 6,25 kg Dimensions (WxHxD): 175x983x65 mm Execution: Up to 500 mm Material: Aluminum / stainless steel</p> <p>To combine with: CONT26500710100 hand and hairdryer</p> <p>Optional: Mirror for rail front available</p>
<p>Description</p>	<p>Version</p>	<p>Material</p>	<p>Article number</p>
<p>Height adjustment rail for hair dryer</p>	<p>Stepless height adjustment</p>	<p>Aluminum/ Stainless steel</p>	<p>CONT26000710645</p>

Hand dryer MINI

NEW



Hand dryer MINI

Touchless hand dryer with white casing made of 2 mm 2 mm die-cast aluminium.


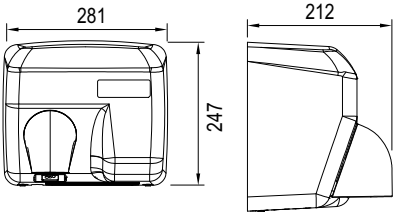
- For wall mounting
- Housing: die-cast aluminium
- IR sensor and electronic timer
- Stops 2 s after removal of hands or 60 s after continuous operation
- Commutator motor without carbon

Weight: 5,4 kg
 Dimensions (WxHxD): 248x220x170 mm
 Drying time: 30 s approx.
 Nominal capacity: 1800 W
 Operating voltage: 230 V
 Noise level: 64 dBA
 Outlet temperature (max.): 55 °C
 Protection class: IP21


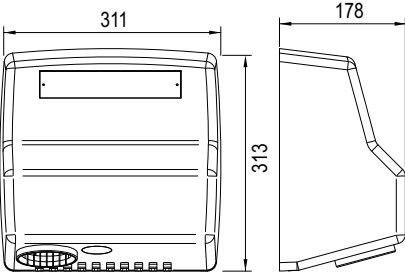
Description	Version	Colour	Article number
Hand dryer MINI	IR sensor	White, RAL 9003 glossy 75	CONT21500810270

Sanitary equipment

Hand dryer MAXI

			<p>Hand dryer MAXI</p> <p>Hand dryer with housing made of 2 mm steel plate. With fixed-mounted, bright chrome exhaust vent made of zinc, touchless with IR sensor and electronic timer.</p> <ul style="list-style-type: none"> • For wall mounting • Drying cycle of approx. 20-170 sec. • Powerful commutator motor • Very hygienic • Maintenance-friendly • Strong and shock-proof housing preventing vandalism • Exhaust vent <p>Weight: 7 kg Dimensions (WxHxD): 281x247x212 mm Nominal capacity: 2400 W Noise level: 70 dBA Outlet temperature (max.): 65 °C Protection class: IP21</p>
Description	Version	Colour	Article number
Hand dryer MAXI	With IR sensor	White	CONT21500810272
	With IR sensor	Chromed	CONT21300810274


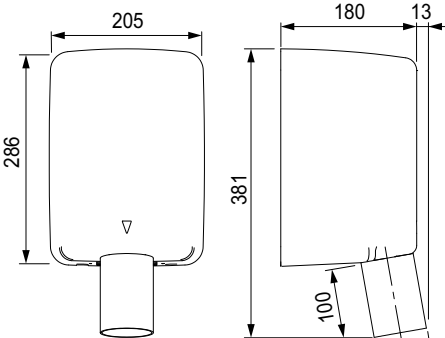
Hand dryer AE

			<p>Hand dryer AE</p> <p>Hand dryer with housing made of 4 mm die-cast aluminium, touchless with IR sensor and electronic timer</p> <ul style="list-style-type: none"> • For wall mounting • Drying cycle of approx. 25-170 sec. • Standard version: white • Additionally available in all RAL colours • Almost maintenance-free • With induction motor • 90% recyclable <p>Weight: 7,25 kg Dimensions (WxHxD): 311x313x178 mm Nominal capacity: 2360 W Noise level: 62 dBA Outlet temperature (max.): 65 °C Protection class: IP23</p>
Description	Version	Colour	Article number
Hand dryer AE	IR sensor	White	CONT21500810261

Hand dryer TURBO


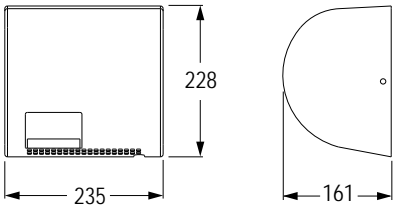
			<p>Hand dryer TURBO</p> <p>Hand dryer with steel housing. Touchless with IR sensor and electronic timer</p> <ul style="list-style-type: none"> • For wall mounting • Drying cycle of approx. 10 - 15 sec. • Maintenance-friendly • Very hygienic <p>Weight: 5,8 kg Dimensions (WxHxD): 205x1287x80 mm Nominal capacity: 1600 W Noise level: 78 dBA Outlet temperature (max.): 60 °C Protection class: IPX1</p>
	Description	Version	Colour
Hand dryer TURBO	With IR sensor	White	CONT21500810246
	With IR sensor	Stainless steel matt	CONT21200810247

Hand dryer TURBO


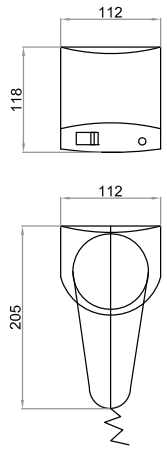
			<p>Hand dryer TURBO, for mounting behind mirrors or cabinets</p> <p>Touchless hand dryer for mounting behind mirror/cabinet. Brushed stainless steel case. IR sensor and electronic timer</p> <ul style="list-style-type: none"> • Drying cycle: approx. 10 - 15 sec. • Cabinet and nozzle made in brushed stainless steel • Powerful commutator motor • Ideal for mounting behind mirror/cabinet <p>Weight: 5,8 kg Dimensions (WxHxD): 205x286x180 mm Nozzle (L): 100 mm Diameter (ø): 70 mm Nominal capacity: 1600 W Noise level: 78 dBA Outlet temperature (max.): 60 °C Protection class: IPX1</p>
	Description	Version	Colour
Hand dryer TURBO	With IR sensor	Stainless steel matt	CONT21200850244

Sanitary equipment

Hand dryer


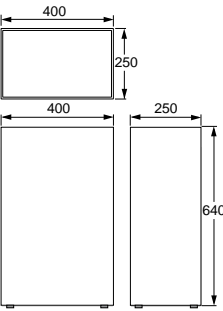
		<p>Hand dryer</p> <ul style="list-style-type: none"> • Touchless function • Low noise induction motor (maintenance-free), soft starting • Sturdy metal housing • Overheat auto-stop for heater and motor • Safety switch-off after 2 min. continuous operation • Water-proof microprocessor <p>Dimensions (WxHxD): 235x228x161 mm</p> <p>Mains operation plug-in 230 V, 2300 W</p>
Description	Material	Article number
Hand dryer with IR sensor	Stainless steel matt	CONT21200810000


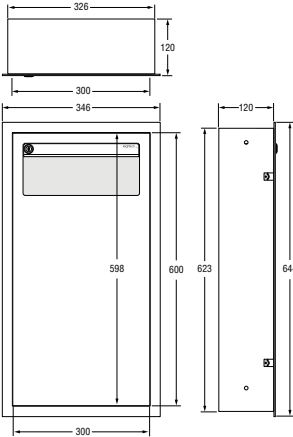
Hair dryer ELEGANCE

		<p>Hair dryer ELEGANCE</p> <p>Double insulated hair dryer made of impact-resistant white plastic.</p> <ul style="list-style-type: none"> • For wall mounting • Robust hair dryer with strong warm-air-hose • Manual adjustment of air volume between two levels: 1200 W <p>Dimensions (WxHxD): 112x118x207 mm</p> <p>Weight: 1 kg</p>
Description	Material / Colour	Article number
Hair dryer ELEGANCE	Plastic/White	CONT26500710713


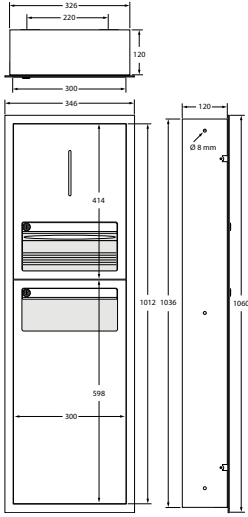
Waste bin

		<p>Waste bin</p> <ul style="list-style-type: none"> • For wall mounting • With 3 pre-drilled holes • Lockable from above <p>Dimensions (WxHxD): 308x602x167 mm</p>	
Description	Material / Colour		Article number
Waste bin	Stainless steel matt		CONT18200010602


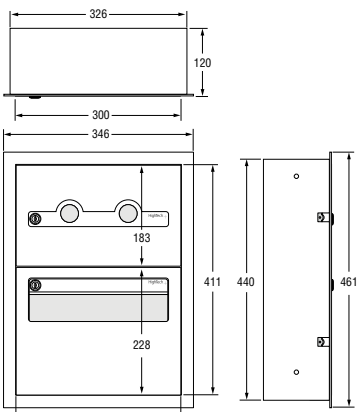
			<p>Waste bin</p> <ul style="list-style-type: none"> • With 4 rubber feet • Floor standing <p>Dimensions (WxHxD): 400x640x250 mm</p>
Description	Mounting	Material / Colour	Article number
Waste bin	Floorstanding	Stainless steel matt	CONT18200060640

			<p>Waste bin</p> <ul style="list-style-type: none"> • For recessed wall mounting • With mounting frame • Lockable from the front <p>Width: 346 mm Mounting depth: min. 120 mm Height: 644 mm Front panel: 3 mm stainless steel</p>
Description	Mounting	Material / Colour	Article number
Waste bin	For recessed wall mounting	Stainless steel matt	CONT18200040644


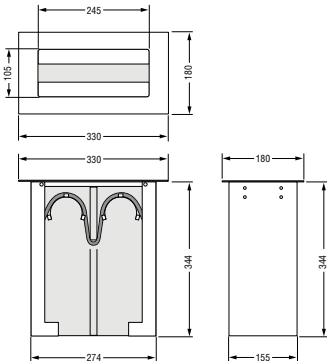
Paper towel dispenser and waste bin combination


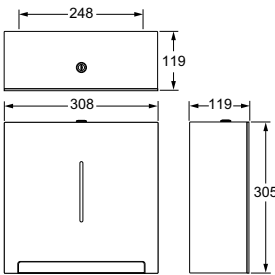
		<p>Concealed washroom combination</p> <ul style="list-style-type: none"> • For wall mounting • Consisting of paper towel dispenser and paper waste bin • With mounting frame • Lockable from the front <p>Width: 346 mm Mounting depth: min. 120 mm Height: 1060 mm Front plate: 3 mm stainless steel</p>	
Description	Material / Colour	Packaging unit	Article number
Concealed washroom combination with paper towel dispenser and waste bin	Stainless steel matt		CONT19200041060
Paper towel	White	5.000 towels	CONO740000


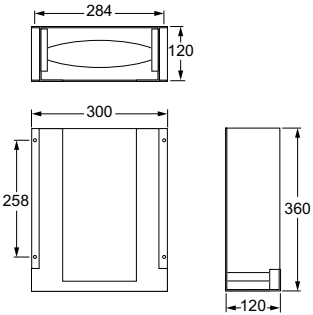
Hygienic bag dispenser and waste bin combination

		<p>Concealed hygiene combination</p> <ul style="list-style-type: none"> • For wall mounting • Consisting of hygienic bag dispenser and waste bin • With mounting frame • Covering and locking mechanism • Lockable from the front <p>Width: 346 mm Mounting depth: min. 120 mm Height: 461 mm Front plate: 3 mm</p>	
Description	Mounting	Material	Article number
Concealed hygiene combination for wall mounting	For wall mounting	Stainless steel matt	CONT16200040461

Paper towel dispenser


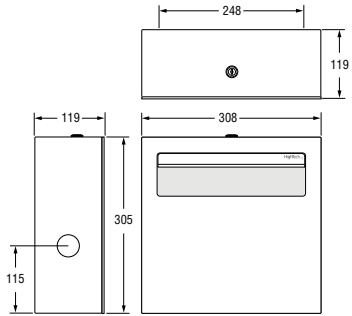
		<p>Paper towel dispenser</p> <ul style="list-style-type: none"> • For vertical and horizontal vanity installation • Holding approx. 500 paper towels • Dispensing from the top or from the front • Mounting plate for horizontal mounting on site or on request <p>Front panel: 330x180x2 mm Insert box: 274x155x344 mm Cut-out diameter: 276x157 mm Filling height: ca. 230 mm</p>	
Description	Mounting	Material	Article number
Paper towel dispenser	For vanity installation	Stainless steel matt	CONT16200030000


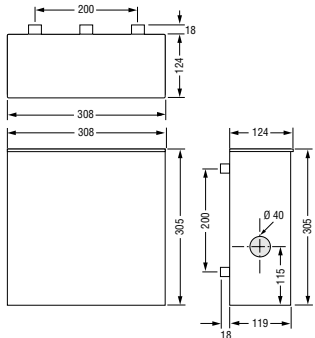
		<p>Paper towel dispenser</p> <ul style="list-style-type: none"> • For wall mounting • With 3 pre-drilled holes • Without fixing material • Lockable from above <p>Dimensions (WxHxD): 308x305x119 mm Front plate: 2 mm</p>	
Description	Mounting	Material	Article number
Paper towel dispenser	For wall mounting	Stainless steel matt	CONT16200010000

		<p>Paper towel dispenser</p> <ul style="list-style-type: none"> • For mounting behind the mirror • Paper removal from below • Filling from above <p>Dimensions (WxHxD): 300x360x120 mm Filling height: ca. 350 mm</p> <p>Minimum distance to washbasin: 400 mm</p>	
Description	Mounting	Material	Article number
Paper towel dispenser	For mounting behind the mirror	Stainless steel matt	CONT16200050000


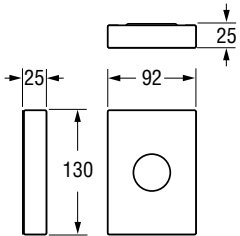
Sanitary equipment

Hygiene bin


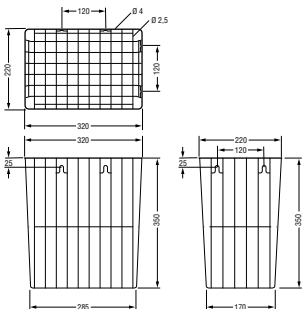
			<p>Hygiene bin for wall mounting, with storage container</p> <ul style="list-style-type: none"> • For wall mounting • With 3 pre-drilled holes • With integrated hygienic bag dispenser • Bags dispensed through a hole on the side of the unit • Lockable from the front • With storage container <p>External dimension: 308x305x119 mm Front plate: 3 mm</p>
Description	Filling capacity	Hole opening	Article number
Hygiene bin with storage container	1 Pack of 30 bags	Right	CONT18200011305
	1 Pack of 30 bags	Left	CONT18200012305

			<p>Hygiene bin</p> <ul style="list-style-type: none"> • For wall mounting • With 3 pre-drilled holes • With integrated hygienic bag dispenser • With flap lid <p>External dimension: 308x305x124 mm Material thickness: 1,5 mm</p>
Description	Colour		Article number
Hygiene bin with integrated hygienic bag dispenser	Stainless steel matt		CONT18200010305


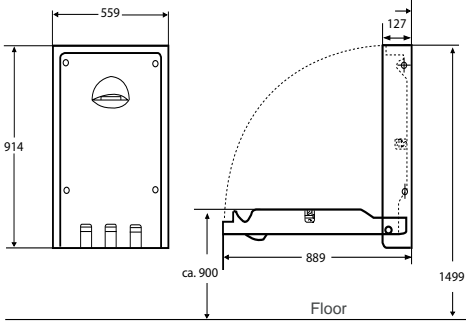
Hygienic bag dispenser

			<p>Hygienic bag dispenser</p> <ul style="list-style-type: none"> • For wall mounting • With 2 pre-drilled holes <p>External dimension (WxHxD): 92x130x25 mm</p>
Description	Filling capacity	Material	Article number
Hygienic bag dispenser	1 pack of 30 bags	Stainless steel matt	CONT16200040130


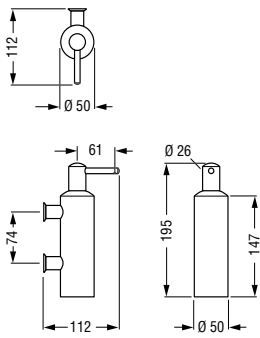
Mesh basket for paper waste


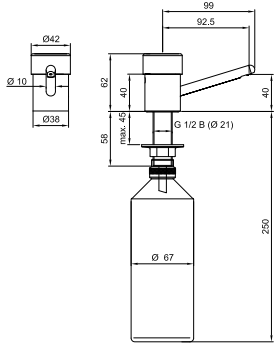
			<p>Mesh basket for paper waste</p> <ul style="list-style-type: none"> • For use with or without waste bags • Wire mesh • With wall bracket • For exposed mounting or free-standing • Stainless steel mesh, plastic coated <p>Dimensions (WxHxD): 320x350x220 mm</p>
Description	Mounting	Colour	Article number
Mesh basket with 25 liter volume	For wall mounting	White	CONT1850000640
		Silver (rilсан coated)	CONT1840000640


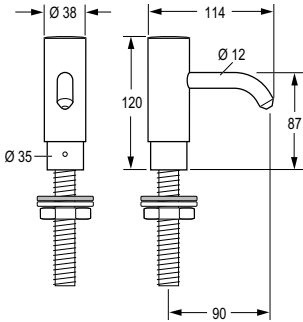
Diaper changing table

			<p>Diaper changing table</p> <ul style="list-style-type: none"> • For exposed mounting • Down foldable wall • Disinfectable underlay of antibacterial plastic • With substructure made of steel • Usable up to 60 kg • With dispenser for towels • Plastic beige • Incl. mounting material <p>Dimensions (WxHxD): 559x914x127 mm Projection: 889 mm</p>
Description	Material/Colour		Article number
Diaper changing table	Plastic/Beige		CONT25578710000


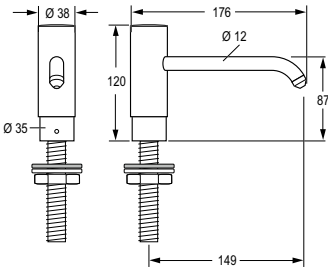
Wall and table soap dispenser


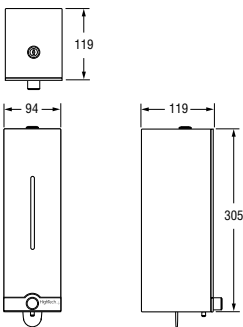
			<p>Wall-mounted soap dispenser</p> <ul style="list-style-type: none"> • With 2 pre-drilled holes <p>Viscosity: 4-3500 mPa*s Height: 195 mm Spout projection: 112 mm Filling capacity: 150 ml</p> <p>Attention! Please use recommended ph-neutral liquid, chloride and halogen free soap only – otherwise no guarantee!</p>
Description	Filling capacity	Colour / Material	Article number
Wall-mounted soap dispenser	150 ml	Chromed	CONT17300710150
	150 ml	Stainless steel matt	CONT17200710150

 <p>Attention! Please use recommended ph-neutral liquid, chloride and halogen free soap only – otherwise no guarantee!</p>			<p>Table soap dispenser</p> <ul style="list-style-type: none"> • Solid brass, chromed • With manually operated, theft-proof metering pump • Liquid soap refillable from above without removing the soap container • Soap container, to refill liquid soap, plastic <p>Height: 62 mm Spout projection: 92/43 mm Hole diameter: Ø 22-25 mm</p>
Description	Filling capacity	Colour	Article number
Table soap dispenser	500 ml	Chromed	CONT17300730062

			<p>Table soap dispenser</p> <ul style="list-style-type: none"> • With container 1000 ml • Refillable from above or below • Pumping height approx 1500 mm • Dosage 1-2 ml per keypress • For panel thickness 50 mm <p>Viscosity 4-3500 mPa*s Spout projection: 90 mm Height: 120 mm Hole diameter: 23 mm</p> <p>Attention! Please use recommended ph-neutral liquid, chloride and halogen free soap only – otherwise no guarantee!</p>
Description	Filling capacity	Colour / Material	Article number
Table soap dispenser	1000 ml	Chromed	CONT17300731090
	1000 ml	Stainless steel matt	CONT17200731090

Wall and table soap dispenser

		<p>Table soap dispenser</p> <ul style="list-style-type: none"> • With container 1000 ml • Refillable from above or below • Pumping height approx 1500 mm • Dosage 2 ml per keypress • For panel thickness 50 mm <p>Viscosity: 4-3500 mPa*s Spout projection: 149 mm Height: 120 mm Hole diameter: 23 mm</p> <p>Attention! Please use recommended ph-neutral liquid, chloride and halogen free soap only – otherwise no guarantee!</p>	
Description	Filling capacity	Colour / Material	Article number
Table soap dispenser	1000 ml	Chromed	CONT17300731149
	1000 ml	Stainless steel matt	CONT17200731149


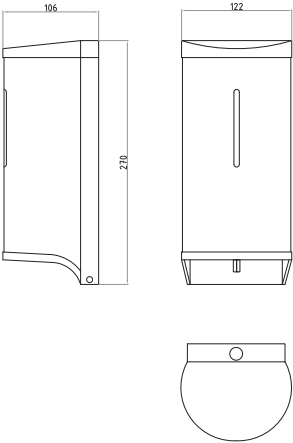
		<p>Wall-mounted soap dispenser</p> <ul style="list-style-type: none"> • Without fixing material • Theft-proof fixing • Lockable from above <p>External measurement: 94x119x305 mm Front plate: 3 mm Filling capacity: 1000 ml Viscosity: 4-3500 mPa*s</p> <p>Attention! Please use recommended ph-neutral liquid, chloride and halogen free soap only – otherwise no guarantee!</p>	
Description	Filling capacity	Material	Article number
Wall-mounted soap dispenser	1000 ml	Stainless steel matt	CONT17200710305

Soap dispenser CLEANLINE

NEW



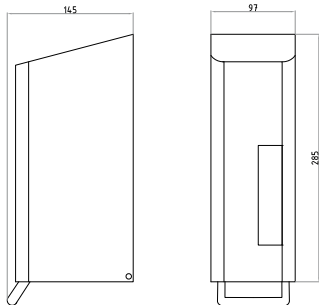
		<p>CLEANLINE soap dispenser for foam soap</p> <p>Touchless soap dispenser for foam soap. Casing made of stainless steel, top and bottom parts made of grey plastic.</p> <ul style="list-style-type: none"> • For wall mounting • Capacity: 800 ml • Dosage: up to 1.300 • Power connection by external transformer possible (not included) • Activation distance: 5 cm approx. below dosing nozzle • Blue light for action display • Locking protects against vandalism • Battery type AA: 4 pieces <p>Dimensions (WxHxD): 122x270x106 mm Weight: 0,7 kg</p>
Description	Version	Article number
CLEANLINE soap dispenser	Foam soap	CONT17200810846



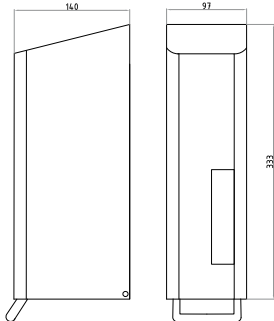
NEW

		<p>CLEANLINE soap dispenser for liquid soap</p> <p>Touchless soap dispenser for liquid soap. Casing made of stainless steel, top and bottom parts made of black plastic.</p> <ul style="list-style-type: none"> • For wall mounting • Capacity: 800 ml • Dosage: up to 1.300 • Power connection by external transformer possible (not included) • Activation distance: 5 cm approx. below dosing nozzle • Blue light for action display • Locking protects against vandalism • Battery type AA: 4 pieces <p>Dimensions (WxHxD): 122x270x106 mm Weight: 0,7 kg</p>
Description	Version	Article number
CLEANLINE soap dispenser	Liquid soap	CONT17200810847

Sanitary equipment



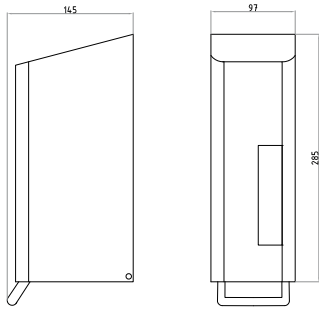
Soap dispenser manual, white



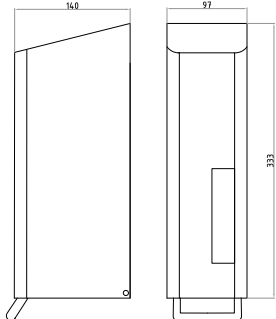
 			<p>Soap dispenser manual 0,6 l</p> <p>Manual soap dispenser for liquid and foam soap or disinfectant.</p> <p>Consisting of:</p> <ul style="list-style-type: none"> • Removable refill container • For wall mounting • Casing: stainless steel power-coated, white • With level indicator • Dosage: 500 to 600 <p>Weight: 1,2 kg Dimensions (BxWxD): 97x285x145 mm Capacity: 600 ml</p> <p>Note: Please fill only ready to use disinfection dilution e.g. CONTI+ oXan clean into the dispenser; in case the dilution could be mix within the tank of the dispenser made of e.g. CONTI+ oXan clean concentrate and distilled water.</p>
	Description	Version	Colour
Soap dispenser manual 0,6 l	Liquid soap	White	CONT17500710833
	Foam soap	White	CONT17500710844
	Disinfectant	White	CONT17500710838

 			<p>Soap dispenser manual 1,2 l</p> <p>Manual soap dispenser for liquid and foam soap or disinfectant.</p> <p>Consisting of:</p> <ul style="list-style-type: none"> • Removable refill container • For wall mounting • Casing: stainless steel power-coated, white • With level indicator • Dosage: 1.000 to 1.200 <p>Weight: 1,5 kg Dimensions (WxHxD): 97x333x140 mm Capacity: 1200 ml</p> <p>Note: Please fill only ready to use disinfection dilution e.g. CONTI+ oXan clean into the dispenser; in case the dilution could be mix within the tank of the dispenser made of e.g. CONTI+ oXan clean concentrate and distilled water.</p>
	Description	Version	Colour
Soap dispenser manual 1,2 l	Liquid soap	White	CONT17500710830
	Foam soap	White	CONT17500710843
	Disinfectant	White	CONT17500710840



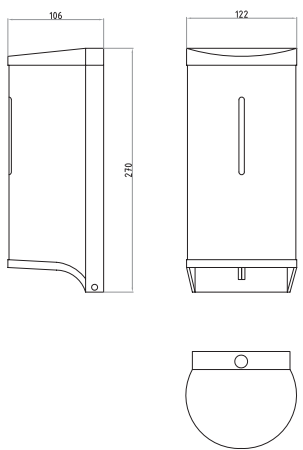
Sanitary equipment

Soap dispenser manual, stainless steel



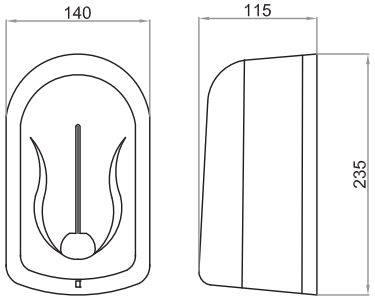
 			<p>Soap dispenser manual 0,6 l, stainless steel</p> <p>Manual soap dispenser for liquid or foam soap.</p> <p>Consisting of:</p> <ul style="list-style-type: none"> • Removable refill container • For wall mounting • Casing: stainless steel • With level indicator • Dosage: 500 to 600 <p>Weight: 1,2 kg Dimensions (WxHxD): 97x285x145 mm Capacity: 600 ml</p>
	Description	Version	Colour
Soap dispenser manual 0,6 l	Liquid soap	Stainless steel	CONT17200710834
	Foam soap	Stainless steel	CONT17200710837

 			<p>Soap dispenser manual 1,2 l, stainless steel</p> <p>Manual soap dispenser for liquid and foam soap or disinfectant.</p> <p>Consisting of:</p> <ul style="list-style-type: none"> • Removable refill container • For wall mounting • Casing: stainless steel • With level indicator • Dosage: 1.000 to 1.200 <p>Weight: 1,5 kg Dimensions (WxHxD): 97x333x140 mm Capacity: 1200 ml</p> <p>Note: Please fill only ready to use disinfection dilution e.g. CONTI+ oXan clean into the dispenser; in case the dilution could be mix within the tank of the dispenser made of e.g. CONTI+ oXan clean concentrate and distilled water.</p>
	Description	Version	Colour
Soap dispenser manual 1,2 l	Liquid soap	Stainless steel	CONT17200710831
	Foam soap	Stainless steel	CONT17200710842
	Disinfectant	Stainless steel	CONT17200710841



Touch-free disinfectant dispenser HK IRSP

  <p>Note: Please fill only ready to use disinfection dilution e.g. CONTI+ oXan clean into the dispenser; in case the dilution could be mix within the tank of the dispenser made of e.g. CONTI+ oXan clean concentrate and distilled water.</p>		<p>Touch-free disinfectant dispenser, battery or mains operation</p> <ul style="list-style-type: none"> • Touch-free activation via IR-Sensor • For wall mounting (including fixing material) • Housing made from stainless steel and plastic • With refill tank 0.8 litres • Dosage quantity: 1 ml per dosage • Battery operated (4 x 1,5 V alkaline Type AA – not included) • Possibility of power supply through mains connection • Front viewing window for fill level control <p>Dimensions (WxHxD): 122x270x106 mm Weight: 0,7 kg</p>
Description	Material/Colour	Article number
Touch-free disinfectant dispenser	Stainless steel/Plastic	CONT17500810031

Soap/disinfectant dispenser ELEGANCE

  <p>Note: Please fill only ready to use disinfection dilution e.g. CONTI+ oXan clean into the dispenser; in case the dilution could be mix within the tank of the dispenser made of e.g. CONTI+ oXan clean concentrate and distilled water.</p>		<p>ELEGANCE soap dispenser</p> <p>Touch-free soap dispenser for liquid soap or disinfectant.</p> <p>Consisting of:</p> <ul style="list-style-type: none"> • For wall mounting • Battery operated • Casing made of impact-resistant plastic, white • With level indicator • Special key for locking • Ready for activation in closed state • Activation distance: 1 to 8 cm • Dosage quantity: 1 ml per dosage <p>Dimensions (WxHxD): 140x235x115 mm Weight: 1 kg Capacity: 1,1 l</p>	
Description	Version	Colour	Article number
ELEGANCE soap dispenser	Liquid soap	White	CONT17500810717
	Disinfectant	White	CONT17500810718


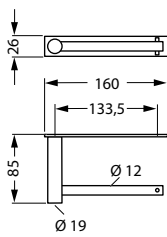
Touch-free disinfectant dispenser SC-7501


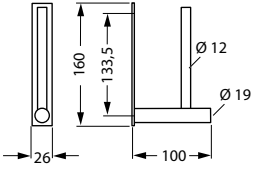
  <p>Note: Please fill only ready to use disinfection dilution e.g. CONTI+ oXan clean into the dispenser; in case the dilution could be mix within the tank of the dispenser made of e.g. CONTI+ oXan clean concentrate and distilled water.</p>	<p>Touch-free disinfectant dispenser</p> <ul style="list-style-type: none"> • Touch-free activation via IR sensor • For wall mounting (including fixing material) • Housing made of white ABS, rear panel made of grey ABS • With refill tank 0.5 litres • Dosage quantity 1 ml per dosage • Battery operated (4 x 1.5 V alkaline type AA – not included) • Key locking • Front inspection window for fill level control <p>Dimensions (WxHxD): 90x200x80 mm</p>	
	<p>Description</p> <p>Touch-free disinfectant dispenser</p>	<p>Material/Colour</p> <p>ABS (White/Grey)</p>

Soap/disinfectant dispenser SC-268L


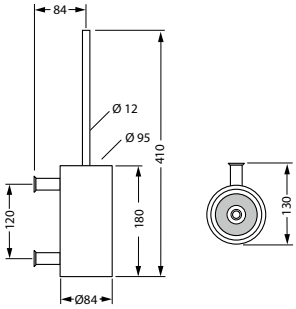
  <p>Note: Please fill only ready to use disinfection dilution e.g. CONTI+ oXan clean into the dispenser; in case the dilution could be mix within the tank of the dispenser made of e.g. CONTI+ oXan clean concentrate and distilled water.</p>		<p>Manual disinfectant dispenser made from aluminium and stainless steel</p> <ul style="list-style-type: none"> • For wall mounting (including fixing material) • Housing made from aluminium/pump lever made from stainless steel • With refill tank 1 litres • Dosing quantity 1-3 ml per stroke <p>Dimensions (WxHxD): 95x320x220 mm</p>
	<p>Description</p> <p>Soap/disinfectant dispenser</p>	<p>Material/Color</p> <p>ABS (White/Grey)</p>


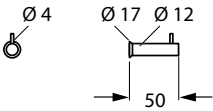
Toilet accessories


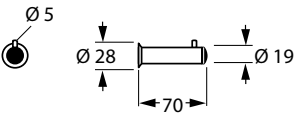
			<p>Toilet paper holder</p> <ul style="list-style-type: none"> • For wall mounting • Theft-proof fixing <p>Distance from wall: 85 mm Diameter: 12 mm Length: 160 mm</p>
	Description	Length	Colour / Material
Toilet paper holder	160 mm	Chromed	CONT13306010000
	160 mm	Stainless steel matt	CONT13206010000

			<p>Spare toilet paper holder</p> <ul style="list-style-type: none"> • For wall-mounting • Theft-proof fixing <p>Spout projection: 100 mm Diameter: 12 mm Width: 26 mm Height: 160 mm</p>
	Description	Length	Colour / Material
Spare toilet paper holder	160 mm	Chromed	CONT13308010000
	160 mm	Stainless steel matt	CONT13208010000


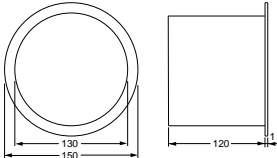
Toilet accessories


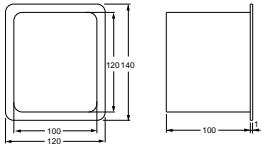
		<p>Toilet brush and replacement brush</p> <ul style="list-style-type: none"> • For wall mounting • With exchangeable black brush head • With exchangeable plastic insert • Theft-proof fixing
Description	Colour / Material	Article number
Toilet brush	Chromed	CONT12300010000
	Black stainless steel matt	CONT12200010000
Replacement brush	Black / chrome	CONT12300010010
	Black / stainless steel	CONT12200010020

		<p>Hook</p> <ul style="list-style-type: none"> • For wall mounting • Theft-proof fixing • With pin <p>Spout projection: 50 mm Diameter: 12 mm</p>	
Description	Spout projection	Colour / Material	Article number
Hook	50 mm	Chromed	CONT14300010000
	50 mm	Stainless steel matt	CONT14200010000


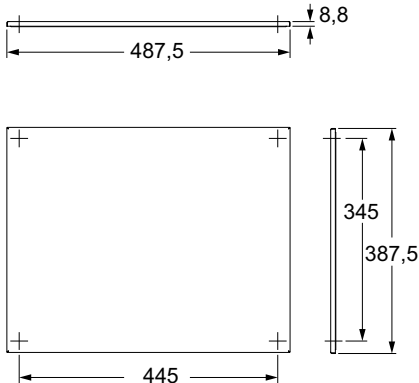
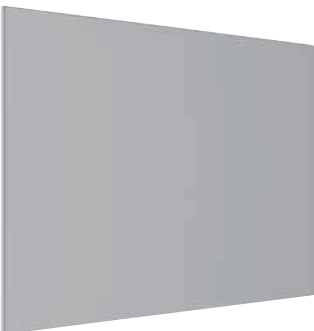
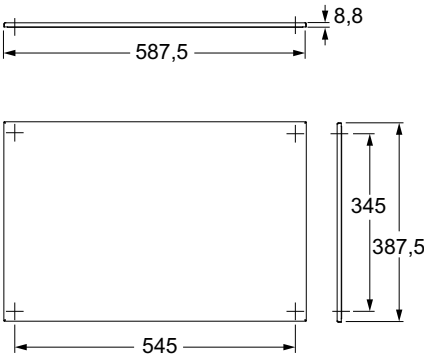

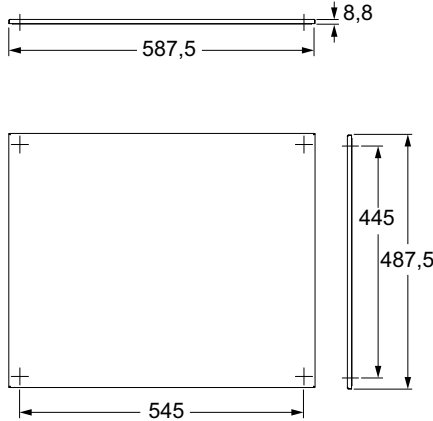
		<p>Hook with doorstop</p> <ul style="list-style-type: none"> • For wall mounting • With hook <p>Spout projection: 70 mm Diameter: 19 mm</p>	
Description	Spout projection	Colour / Material	Article number
Hook with doorstop	70 mm	Chromed	CONT14300010100
	70 mm	Stainless steel matt	CONT14200010100

Discharge opening


		<p>Round discharge opening</p> <ul style="list-style-type: none"> • For installation in the vanity top • Round <p>Inner diameter: 130 mm Outside diameter: 150 mm Height: 120 mm</p>
Description	Material	Article number
Round discharge opening	Stainless steel matt	CONT24207030150


		<p>Rectangle discharge opening</p> <ul style="list-style-type: none"> • For installation in the vanity top • Rectangle <p>Inner edge: 100x120 mm Outside edge: 120x140 mm Height: 100 mm</p>
Description	Material	Article number
Rectangle discharge opening	Stainless steel matt	CONT24208030130


Wall mirrors


		<p>Wall mirror</p> <ul style="list-style-type: none"> • Mirror surface bevelled on all sides by 8 mm • Deposited with plastic carrier plate • Carrier board with 4 holes for wall mounting and double-side tape to bond the mirror • Incl. mounting material <p>Dimensions (WxHxD): 487,5x387,5x8,8 mm</p>	
Description	Dimensions	Material	Article number
Wall mirror	500x400 mm	Highly polished stainless steel	CONT22100010487
		<p>Wall mirror</p> <ul style="list-style-type: none"> • Mirror surface bevelled on all sides by 8 mm • Deposited with plastic carrier plate • Carrier board with 4 holes for wall mounting and double-side tape to bond the mirror • Incl. mounting material <p>Dimensions (WxHxD): 587,5x387,5x8,8 mm</p>	
Description	Dimensions	Material	Article number
Wall mirror	600x400 mm	Highly polished stainless steel	CONT22100010545
		<p>Wall mirror</p> <ul style="list-style-type: none"> • Mirror surface bevelled on all sides by 8 mm • Deposited with plastic carrier plate • Carrier board with 4 holes for wall mounting and double-side tape to bond the mirror • Incl. mounting material <p>Dimensions (WxHxD): 587,5x487,5x8,8 mm</p>	
Description	Dimensions	Material	Article number
Wall mirror	600x500 mm	Highly polished stainless steel	CONT22100011545

Consumable supplies

	<p>Paper towels</p> <ul style="list-style-type: none"> • White • Super soft • 2-Layer • Interfold • Z-interfold <p>Dimensions: 250x230 mm (unfolded) Content: 5.000 Pieces (20 packages a 250 towels)</p>		
	Description	Content	Colour
Paper towels	5.000 pieces	White	CONO740000

	<p>Hygienic bags</p> <p>Material: LDPE, white Dimensions: 85x125x20 mm (refill) Content: 750 Pieces (25 refill a 30 pcs.)</p>		
	Description	Content	Colour
Hygienic bags	750 pieces	White	CONO741000

	<p>Soap container</p> <p>Soap container for liquid soap with ventilation and hose</p> <p>Material: Plastic Dimensions: 185x65 mm</p>		
	Description	Filling capacity	Article number
Soap container with ventilation and hose	500 ml	CONO750500	

	<p>Liquid Soap in container for refill</p> <p>Ph-neutral, chloride and halogeneous free</p>		
	Description	Filling capacity	Article number
Liquid soap	1 l	CONO750001	
	10 l	CONO750010	

Sanitary equipment



CONTI 

Shapely, robust, design-oriented
Stainless steel for table mounting
CONTI+ Kiel washbasin

THE SOLUTION

With the CONTI+ SteelTec stainless steel series you can equip your public washroom, design-oriented but robust and vandal-resistant. From designer washbasins, to soap dispensers, hand dryers and changing tables, right through to accessories, well-rounded design, hygienic way up front and everything of sturdy stainless steel.

Optimum hygiene is also achieved with the SteelTec series of suitable disinfectant for surfaces and hand disinfection.

SteelTec washbasin Kiel 300



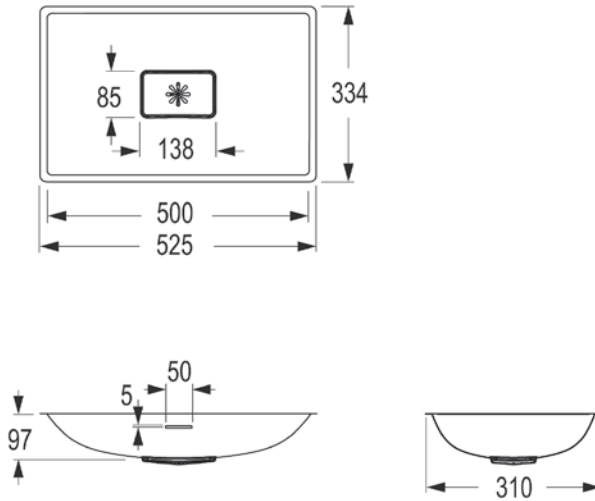
SteelTec washbasin Kiel 300

Design washbasin for table installation or under table mounting

- Without overflow
- Drain valve
- Drain cover

Dimensions (WxHxD): 525x334x97 mm

Material: Stainless steel 1.4301



Sanitary equipment

Description	Overflow	Colour	Article number
SteelTec washbasin Kiel 300	Without overflow	Stainless steel matt	CONT01222230334
	Without overflow	Polished stainless steel	CONT01122230334

SteelTec washbasin Kiel 430



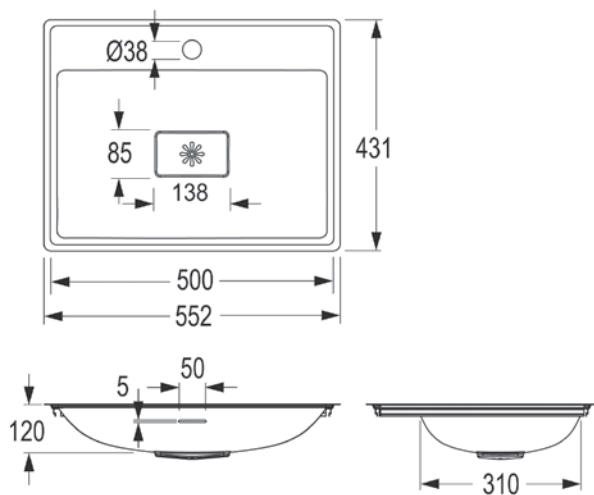
SteelTec washbasin Kiel 430

Design washbasin for table installation and under table mounting

- With central tap hole in storage area
- Hygiene edge
- Without overflow
- Drain valve
- Drain cover

Dimensions (WxHxD): 552x431x120 mm

Material: Stainless steel 1.4301



Description	Overflow	Colour	Article number
SteelTec washbasin Kiel 430	Without overflow	Stainless-steel polished	CONT01222130400
		Stainless steel matt	CONT01122130400

SteelTec washbasin Fjell 230

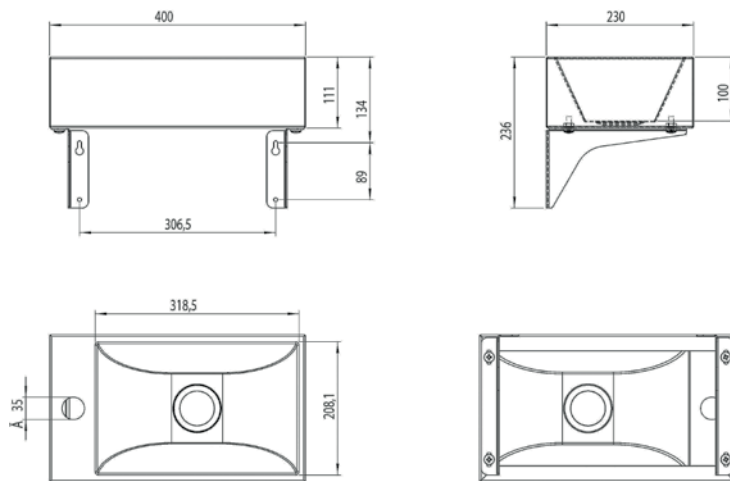


SteelTec washbasin Fjell 230

- For wall mounting
- Including brackets and mounting material
- With 1 1/4" drain valve
- With tap hole, right and left mountable

Dimensions (WxHxD): 400x230x111 mm

Material: Stainless steel 1.4301



Sanitary equipment

Description	Overflow	Material	Article number
SteelTec washbasin Fjell 230	Without overflow	Stainless steel matt	CONT01212110230

SteelTec washbasin Bergen 480

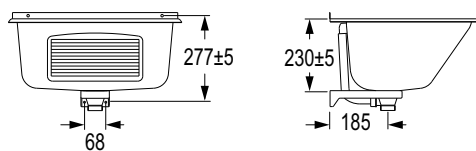
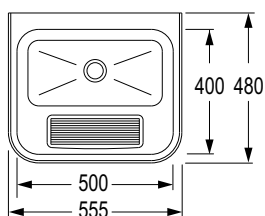


SteelTec washbasin Bergen 480

- For wall mounting
- With washboard stamping at front side
- With integral hygiene edge
- With overflow set
- With 1 1/2" drain valve
- With plug and chain
- With wall brackets
- With fixing material
- Without tap hole

Dimensions (WxHxD): 555x480x230 mm

Material: Stainless steel 1.4301



Description	Overflow	Material	Article number
SteelTec washbasin Bergen 480	With overflow	Stainless steel matt	CONT01221210480

Sanitary equipment

SteelTec washbasin Bergen 530

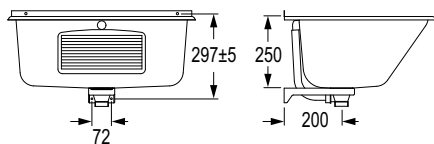
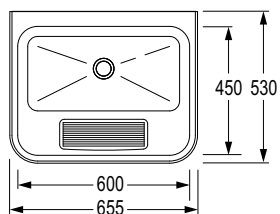


SteelTec washbasin Bergen 530

- For wall mounting
- With washboard stamping at front side
- With integral hygiene edge
- With overflow set
- With 1 1/2" drain valve
- With plug and chain
- With wall brackets
- With fixing material
- Without tap hole

Dimensions (WxHxD): 655x530x250 mm

Material: Stainless steel 1.4301



Sanitary equipment

Description	Overflow	Material	Article number
SteelTec washbasin Bergen 530	With overflow	Stainless steel matt	CONT01221210530

SteelTec washbasin Riga 340

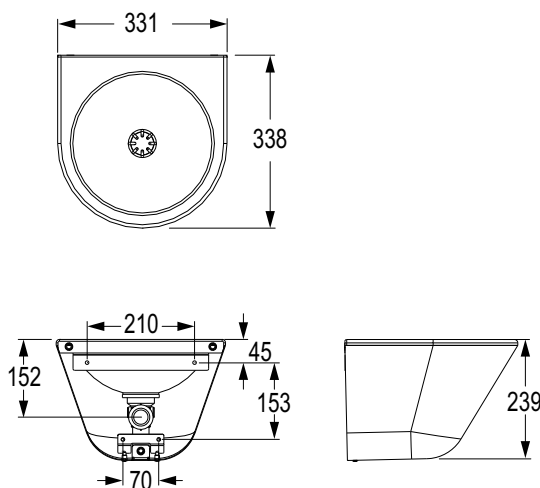


SteelTec washbasin Riga 340

- For wall mounting or rear panel mounting
- Vandal resistant
- With integrated 1 1/4" drain valve
- With siphon
- With wall bracket and fixing material (with threaded bolts for rear panel mounting)
- Without tap hole
- Without overflow
- Polished inside, matt outside

Dimensions (WxHxD): 331x338x239 mm

Material: Stainless steel 1.4301



Description	Overflow	Material	Article number
SteelTec washbasin Riga 340, for wall mounting	Without overflow	Stainless steel matt / polished	CONT01211210338
SteelTec washbasin Riga 340, rear panel mounting	Without overflow	Stainless steel matt / polished	CONT01211220338

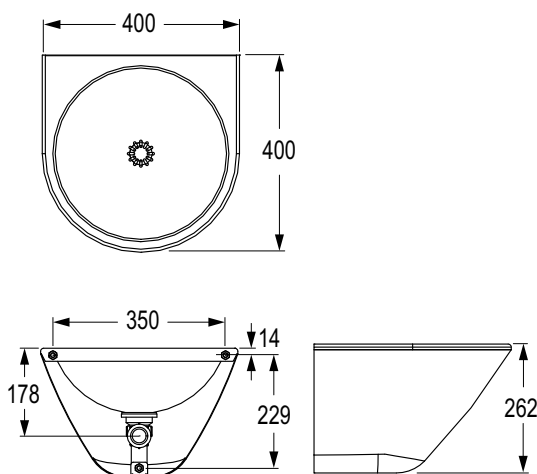
SteelTec washbasin Riga 400



SteelTec washbasin Riga 400

- For wall mounting or rear panel mounting
- Vandal resistant
- With integrated 1 1/4" drain valve
- With siphon
- With wall bracket and fixing material (with threaded bolts for rear panel mounting)
- Without tap hole
- Without overflow
- Polished inside, matt outside

Dimensions (WxHxD): 400x400x262 mm
 Material: Stainless steel 1.4301



Description	Overflow	Material	Article number
SteelTec washbasin Riga 400, for wall mounting	Without overflow	Stainless steel matt / polished	CONT01211210400
SteelTec washbasin Riga 400, rear panel mounting	Without overflow	Stainless steel matt / polished	CONT01211220400

SteelTec washbasin Malmoe

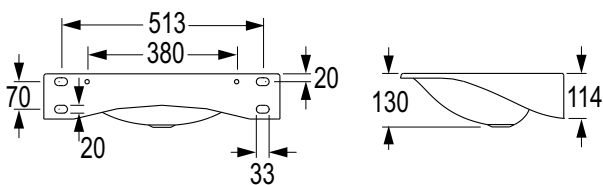
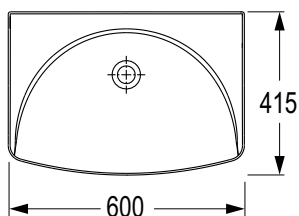


SteelTec washbasin Malmoe

- For wall mounting
- With integrated brackets
- Mounting screws
- With 1 1/4" drain valve
- Without tap hole
- With overflow

Dimensions (WxHxD): 600x415x130 mm

Material: Stainless steel 1.4301



Description	Overflow	Material	Article number
SteelTec washbasin Malmoe	With overflow	Stainless steel matt	CONT01211210415

Sanitary equipment

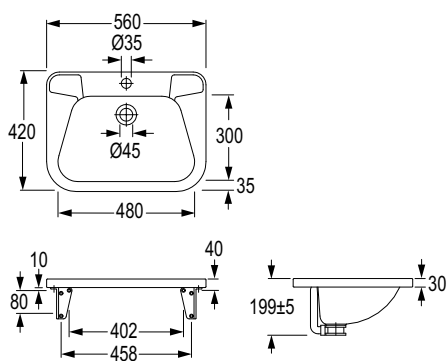
SteelTec washbasin Emden



SteelTec Waschbecken Emden

- Washbasin for wall mounting
- With tap hole
- With integrated soap dishes
- With/without overflow
- 1 1/2" covered grid strainer
- With plug and chain
- Incl. fixing brackets and mounting material

Dimensions (WxHxD): 560x420x199 mm
 Material: Stainless steel 1.4301



Sanitary equipment

Description	Overflow	Material	Article number
SteelTec Washbasin Emden	With overflow	Stainless steel matt	CONT01212200420

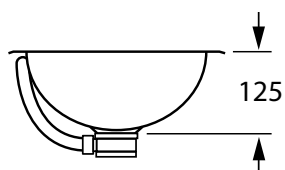
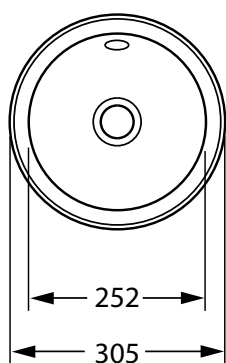
SteelTec built-in basin Lund 305



SteelTec built-in basin Lund 305

- For table installation, for gluing
- Without overflow

External dimensions: Ø 305 mm
 Cut-out diameter: Ø 270 mm
 Height: 125 mm
 Material: Stainless steel
 1.4301



Description	Material	Article number
SteelTec built-in washbasin Lund 305, round	Polished inside and outside	CONT02121130305
	Matt brushed inside and outside	CONT02221130305

SteelTec drinking fountain Riga 400T



SteelTec drinking fountain Riga 400T

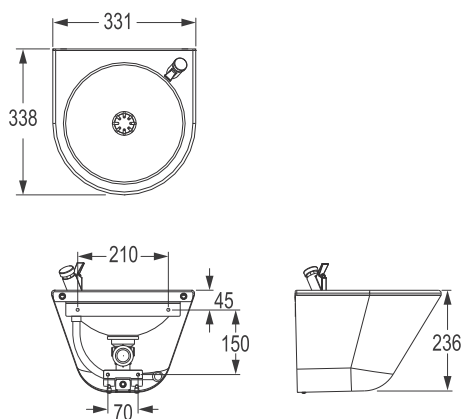
- For wall mounting
- Vandal resistant
- Integrated siphon and 1 1/4" drain valve
- Including drinking fountain faucet
- Including brackets and mounting material
- Without overflow
- Polished inside, matt outside

Drinking fountain

- Adjustable flow rate
- Push-button
- Self-closing

Dimensions (WxHxD): 331x338x236 mm

Material: Stainless steel 1.4301



Sanitary equipment

Description	Overflow	Material	Article number
SteelTec drinking fountain Riga 400T	Without overflow	Stainless steel matt / polished	CONT04210210338

SteelTec wash trough Koge

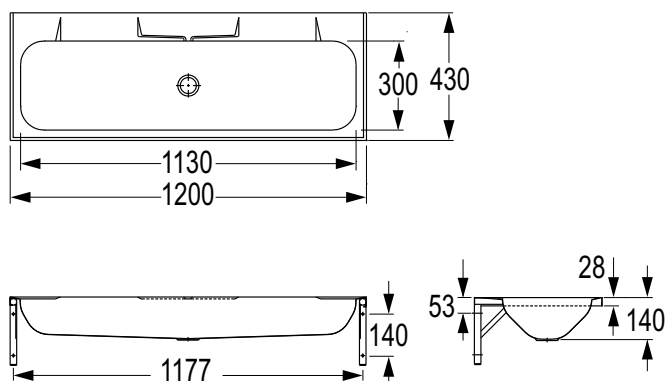


SteelTec wash trough Koge

- Recessed mounting
- Seamlessly pressed
- With hygiene edge
- With brackets and mounting material
- Including 1 1/2" drain valve and possibility to mount optional wall panel
- With two tap holes
- Without overflow

Dimensions (WxHxD): 1200x430x140 mm

Material: Stainless steel 1.4301



Description	Overflow	Material	Article number
SteelTec wash trough Koge	Without overflow	Stainless steel matt	CONT07211211200

Sanitary equipment

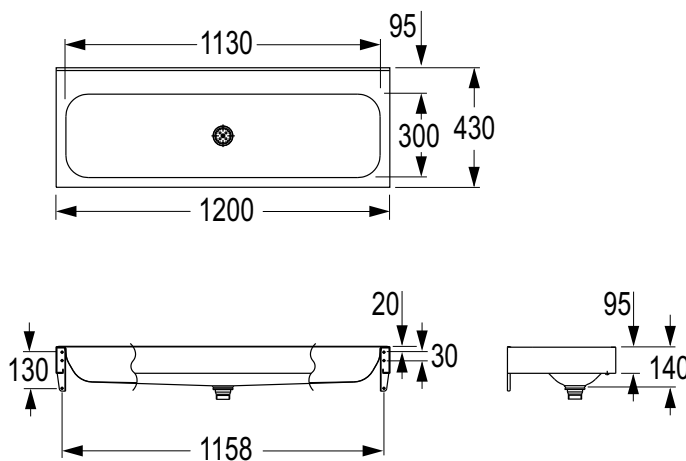
SteelTec wash trough Fjord 1200



SteelTec wash trough Fjord 1200

- For wall mounting
- Seamlessly pressed
- With brackets and mounting material
- Including 1 1/2" drain valve and possibility to mount an optional wall panel
- Without tap hole
- Without overflow

Dimensions (WxHxD): 1200x430x140 mm
 Material: Stainless steel 1.4301



Sanitary equipment

Description	Overflow	Material	Article number
SteelTec wash trough Fjord 1200	Without overflow	Stainless steel matt	CONT07211211201

SteelTec wash trough Fjord 1800

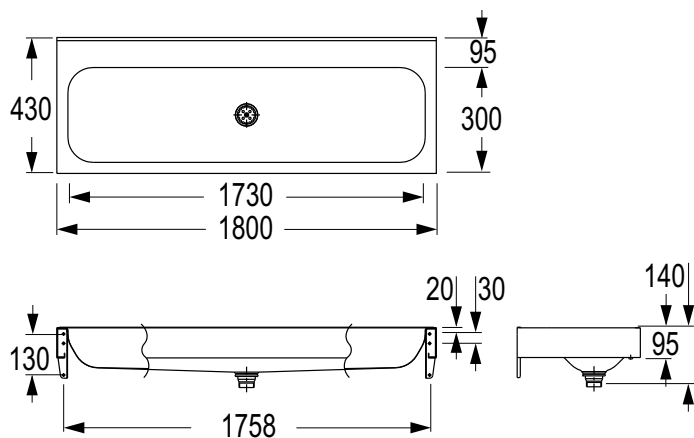


SteelTec wash trough Fjord 1800

- For wall mounting
- Seamlessly pressed
- With consoles and mounting material
- Including 1 1/2" covered grid strainer and possibility to mount optional wall panel
- Without tap hole
- Without overflow

Dimensions (WxHxD): 1800x437x130 mm

Material: Stainless steel 1.4301



Description	Overflow	Material	Article number
SteelTec wash trough Fjord 1800	Without overflow	Stainless steel matt	CONT07211211801

SteelTec laboratory sink Visby 390

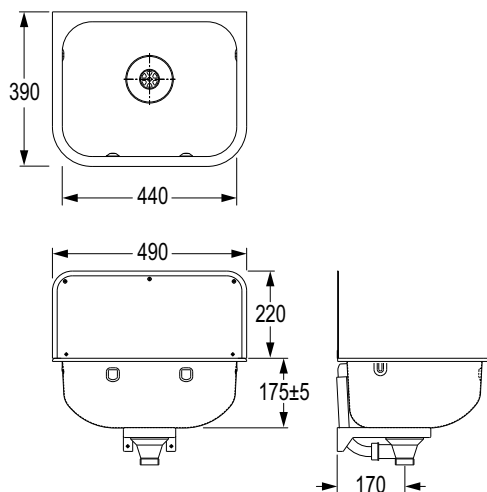


SteelTec laboratory sink Visby 390

- For wall mounting
- With wall panel
- With overflow
- Including brackets and mounting material
- With 3 1/2" x 1 1/2" drain valve
- With plug and chain

Dimensions (WxHxD): 490x390x395 mm

Material: Stainless steel 1.4301



Sanitary equipment

Description	Overflow	Material	Article number
SteelTec laboratory sink Visby 390	With overflow	Stainless steel matt	CONT05221210390

SteelTec bucket sink Visby 330

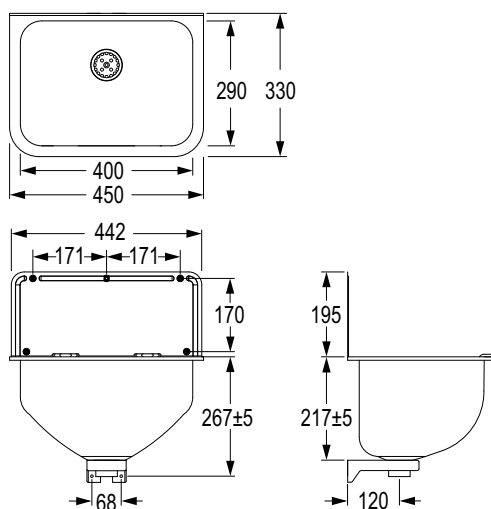


SteelTec bucket sink Visby 330

- For wall mounting
- With wall panel
- With space-saving siphon
- With brackets and 1 1/2" drain valve
- Without bucket grid
- Without tap hole
- Without overflow

Dimensions (WxHxD): 450x330x412 mm

Material: Stainless steel 1.4301



Description	Overflow	Material	Article number
SteelTec bucket sink Visby 330	Without overflow	Stainless steel matt	CONT05211210330

SteelTec bucket sink Visby 450

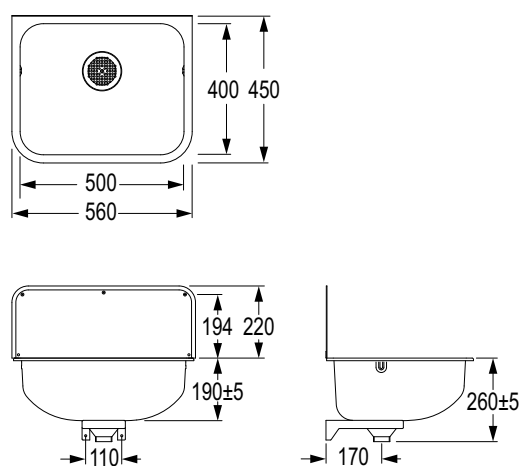


SteelTec bucket sink Visby 450

- For wall mounting
- With wall panel
- With space-saving siphon
- With brackets and mounting material
- With 3 1/2" x 2" drain valve
- Including 2" - 1 1/2" adapter
- Without overflow
- Without bucket grid
- Without tap hole


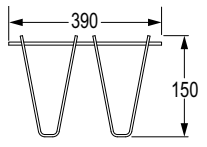
Dimensions (WxHxD): 560x450x410 mm


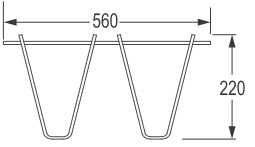
Material: Stainless steel 1.4301



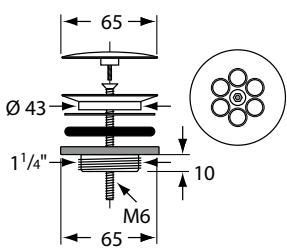
Description	Overflow	Material	Article number
SteelTec bucket sink Visby 450	Without overflow	Stainless steel matt	CONT05211210450

Accessories for SteelTec bucket sink


		<p>Bucket grid for bucket sink Visby 330</p> <p>Dimensions (WxD): 390x150 mm</p>
Description	Material	Article number
Bucket grid for bucket sink Visby 330	Stainless steel matt	CONO710330

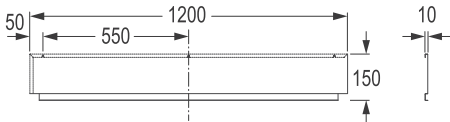
		<p>Bucket grid for bucket sink Visby 450</p> <p>Dimensions (WxD): 560x220 mm</p>
Description	Material	Article number
Bucket grid for bucket sink Visby 450	Stainless steel matt	CONO710450

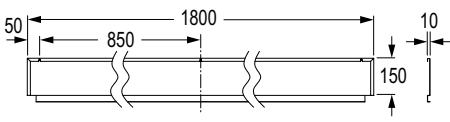
Universal drain valve

		<p>Universal drain valve 1 1/4"</p> <p>Universal drain valve for washbasin without overflow</p> <ul style="list-style-type: none"> • For mounting single washbasins • For mounting single washbasins on washbasin countertop <p>Material: Stainless steel matt Stainless steel polished chromed</p> <p>Drain: 1 1/4"</p>
Description	Material / Colour	Article number
Universal drain valve 1 1/4"	Chromed	CONO880000
	Stainless steel matt	CONO880001
	Stainless steel polished	CONO880002


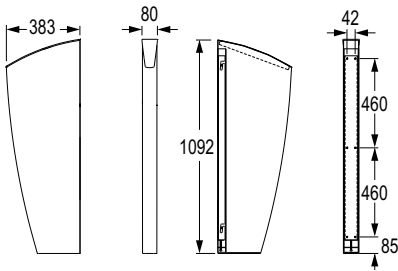
Accessories for wash troughs

	Corner protection <ul style="list-style-type: none"> To retrofit corner protectors For SteelTec wash trough Fjord Plastic ABS Packaging unit: 2 pieces 		
	Description	Material	Colour
Corner protection	Plastic	Black	CONO720000

	Wall panel for wash trough Fjord 1200 and Koge Dimensions (WxHxD): 1200x150x10 mm		
	Description	Material	Article number
Wall panel for wash trough Fjord 1200 and Koge	Stainless steel matt	CONO731200	

	Wall panel for wash trough Fjord 1800 Dimensions (WxHxD): 1800x150x10 mm		
	Description	Material	Article number
Wall panel for wash trough Fjord 1800	Stainless steel matt	CONO731800	

SteelTec urinal partition wall

				SteelTec urinal partition wall <ul style="list-style-type: none"> With concealed wall bracket Accessory for SteelTec Oslo urinal Dimensions (WxHxD): 80x1092x383 mm Material: Stainless steel 1.4301	
	Description	Montage	Material	Article number	
Urinal partition wall	For wall mounting	Stainless steel matt	CONT09200010383		

Sanitary equipment

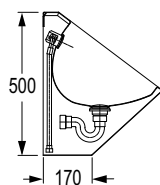
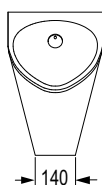
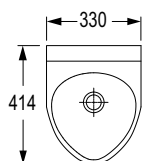
SteelTec urinal Oslo



SteelTec urinal Oslo

- For wall mounting or rear panel mounting
- Vandal-proof version
- With 1 1/4" siphon
- With mesh drain
- With wall bracket and installation materials
- With flexible water connection
- With spray nozzle
- Polished inside, matt outside

Dimensions (WxHxD): 330x500x414 mm
 Material: stainless steel 1.4301



Description	Montage	Material	Article number
SteelTec urinal Oslo	Wall mounting	Stainless steel matt	CONT08200010500
SteelTec urinal Oslo	Rear panel mounting	Stainless steel matt	CONT08200020500

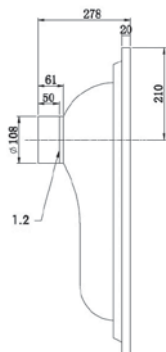
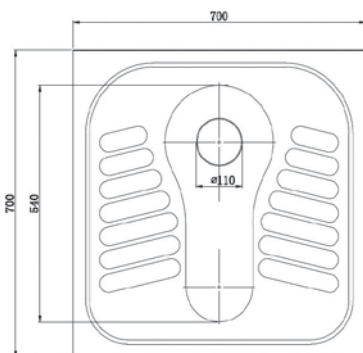
SteelTec squat toilet Malm



SteelTec squat toilet Malm

- Profiled foot surface
- Connection from behind
- For common toilet wall-mounted flush valves DN20 and cisterns
- Flush volume up to 9 l
- With DN100 outlet
- Including brackets and installation material

Dimensions (WxHxD): 700x700x278 mm
 Material: Stainless steel 1.4301



Sanitary equipment

Description	Material	Article number
SteelTec squat toilet Malm	Stainless steel matt	CONT08210200700

SteelTec wall-mounted toilet Malm

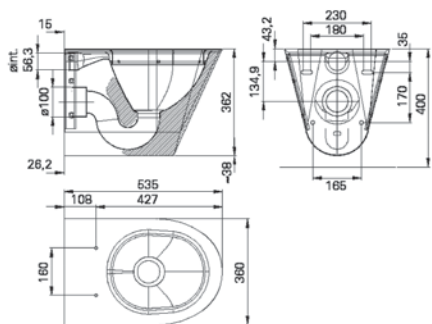


SteelTec wall-mounted toilet Malm

- Seat colour selectable
- Connection from the rear
- For common wall-mounting flush valves and cisterns
- Flush volume up to 9 l
- With DN100 outlet
- Including brackets and installation material
- With siphon and wall holder
- Noise-reducing foaming

Dimensions (WxHxD): 365x535x360 mm
 Material: Stainless steel 1.4301

To be installed in conjunction with flush-mounted water tanks.



Description	Material	Seat colour	Article number
SteelTec Malm wall-mounted toilet OS	Stainless steel matt	Without	CONT08230011000
SteelTec Malm wall-mounted toilet WS	Stainless steel matt	White	CONT08240011000
SteelTec Malm wall-mounted toilet BS	Stainless steel matt	Black	CONT08240011010
SteelTec Malm wall-mounted toilet MS	Stainless steel matt	Mahogany	CONT08240011020

Sanitary equipment



Washbasin solutions

A variety of possibilities from mineral casting

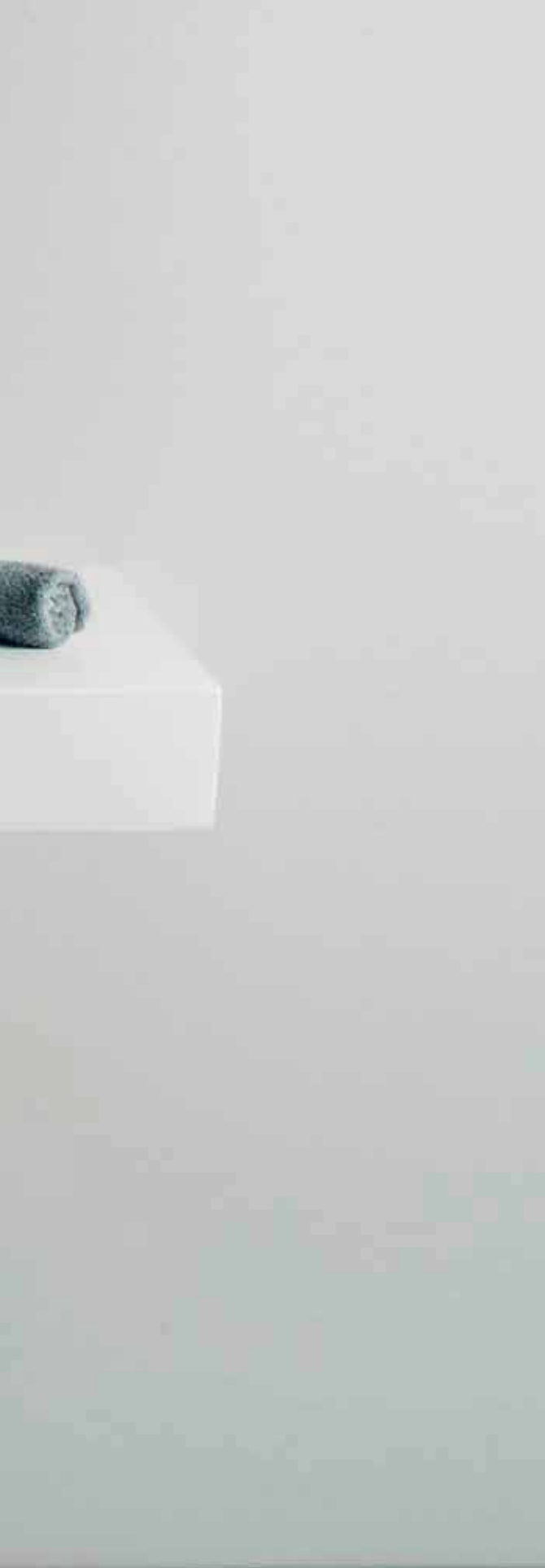
Washbasins made of cast mineral with gelcoat coating in various designs, basic and RAL colours and different textures offer many possibilities to give a washroom a unique touch. Due to flexibility in form and fitting accuracy we offer a wide range of washstands. In combination with our CONTI+ washbasin faucets and sanitary equipment, a real eye-catcher in every public, semi-public and commercial washroom.

The gelcoat washbasin solutions offer different fronts, shapes, surfaces and colours, so the entire range offers optimal solutions for your washroom: slate structure or smooth; with straight or rounded basin edges, centred or offset basin and with integrated towel rail. Available in White matt, Anthracite, glossy White or RAL colours. Our CONTI+ washbasins can be adapted to any customer requirement.

CONTI+ cast mineral washbasins with gelcoat coating are manufactured and offered with tap hole as standard and without overflow for hygienic reasons. Thanks to the non-porous gelcoat coating applied to all models, which means that there are no points of adhesion for impurities and germs, the CONTI+ mineral cast washbasins represent a further component of the CONTI+ hygiene concept.

Design and architectural requirements can be met from a single piece in any RAL colour and with the textures matt, glossy and slate. Individual packaging in wooden boxes with form-fitting insulation material ensures a high level of transport safety.





Washbasin solutions

Square washbasins

Washbasins mineral cast gelcoat 434

Additional charges 438

Countertop washbasin sets

Countertop washbasin sets 440

Self-supporting siphon 441

Washbasin mineral cast gelcoat, square, white matt, width 500–1600 mm

NEW



Washbasin mineral cast gelcoat, square, white matt

- Square basin
- With gelcoat coating
- Colour: white matt
- Without overflow
- With tap hole Ø 35 mm
- With 2 pieces mounting angle

Dimensions

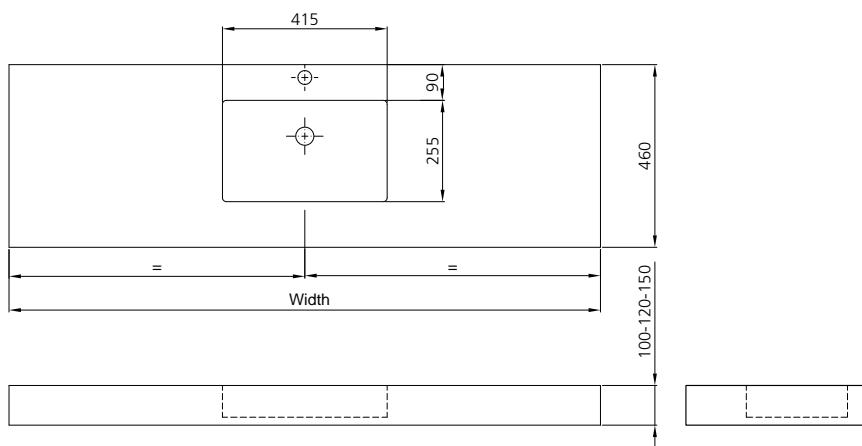
Washbasin (WxHxD): 500–1600x100x460 mm

Basin (WxHxD): 415x80x255 mm

Tap hole: Ø 35 mm

Note:

Overflow available at no additional charge.



Three different washbasin heights:
Standard: 100 mm; with long basin: 120 mm; with tray or drawer: 150 mm



2 pieces mounting bracket already included in the scope of delivery

Description	Colour	Width	Article number
Washbasin mineral cast gelcoat, square	White matt	500 mm	CONW2111110500
Washbasin mineral cast gelcoat, square	White matt	700 mm	CONW2111110700
Washbasin mineral cast gelcoat, square	White matt	800 mm	CONW2111110800
Washbasin mineral cast gelcoat, square	White matt	900 mm	CONW2111110900
Washbasin mineral cast gelcoat, square	White matt	1000 mm	CONW2111111000
Washbasin mineral cast gelcoat, square	White matt	1100 mm	CONW2111111100
Washbasin mineral cast gelcoat, square	White matt	1200 mm	CONW2111111200
Washbasin mineral cast gelcoat, square	White matt	1400 mm	CONW2111111400
Washbasin mineral cast gelcoat, square	White matt	1600 mm	CONW2111111600

Washbasin mineral cast gelcoat, square, anthracite matt, width 500–1600 mm

NEW



Washbasin mineral cast gelcoat, square, anthracite matt

- Square basin
- With gelcoat coating
- Colour: anthracite matt
- Without overflow
- With tap hole Ø 35 mm
- With 2 pieces mounting angle

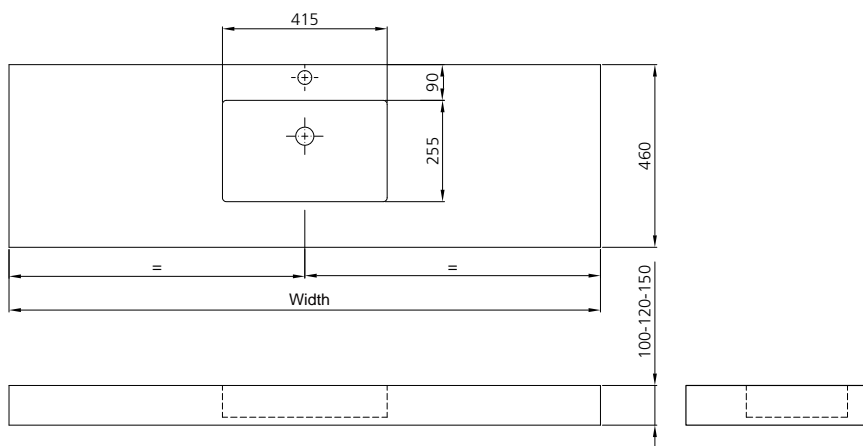
Dimensions

Washbasin (WxHxD): 500–1600x100x460 mm

Basin (WxHxD): 415x80x255 mm

Tap hole: Ø 35 mm

Note:
Overflow available at no additional charge.



Three different washbasin heights:
Standard: 100 mm; with long basin: 120 mm; with tray or drawer: 150 mm



2 pieces mounting bracket already included in the scope of delivery

Description	Colour	Width	Article number
Washbasin mineral cast gelcoat, square	Anthracite matt	500 mm	CONW2111210500
Washbasin mineral cast gelcoat, square	Anthracite matt	700 mm	CONW2111210700
Washbasin mineral cast gelcoat, square	Anthracite matt	800 mm	CONW2111210800
Washbasin mineral cast gelcoat, square	Anthracite matt	900 mm	CONW2111210900
Washbasin mineral cast gelcoat, square	Anthracite matt	1000 mm	CONW2111211000
Washbasin mineral cast gelcoat, square	Anthracite matt	1100 mm	CONW2111211100
Washbasin mineral cast gelcoat, square	Anthracite matt	1200 mm	CONW2111211200
Washbasin mineral cast gelcoat, square	Anthracite matt	1400 mm	CONW2111211400
Washbasin mineral cast gelcoat, square	Anthracite matt	1600 mm	CONW2111211600

Washbasin solutions

Washbasin mineral cast gelcoat, square, white/slate, width 500–1600 mm

NEW



Washbasin mineral cast gelcoat, square, white/slate

- Square basin
- With gelcoat coating
- Colour: white matt
- Without overflow
- With tap hole Ø 35 mm
- With 2 pieces mounting angle

Dimensions

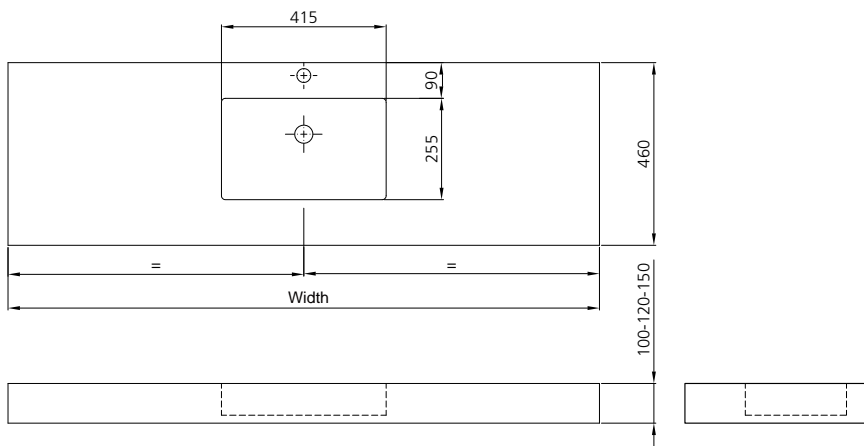
Washbasin (WxHxD): 500–1600x100x460 mm

Basin (WxHxD): 415x80x255 mm

Tap hole: Ø 35 mm

Note:

Overflow available at no additional charge.



White with slate texture

Three different washbasin heights:
Standard: 100 mm; with long basin: 120 mm; with tray or drawer: 150 mm



2 pieces mounting bracket already included in the scope of delivery

Description	Colour	Width	Article number
Washbasin mineral cast gelcoat, square	White/Slate	500 mm	CONW2111120500
Washbasin mineral cast gelcoat, square	White/Slate	700 mm	CONW2111120700
Washbasin mineral cast gelcoat, square	White/Slate	800 mm	CONW2111120800
Washbasin mineral cast gelcoat, square	White/Slate	900 mm	CONW2111120900
Washbasin mineral cast gelcoat, square	White/Slate	1000 mm	CONW2111121000
Washbasin mineral cast gelcoat, square	White/Slate	1100 mm	CONW2111121100
Washbasin mineral cast gelcoat, square	White/Slate	1200 mm	CONW2111121200
Washbasin mineral cast gelcoat, square	White/Slate	1400 mm	CONW2111121400
Washbasin mineral cast gelcoat, square	White/Slate	1600 mm	CONW2111121600

Washbasin mineral cast gelcoat, square, anthracite/slate, width 500–1600 mm

NEW



Washbasin mineral cast gelcoat, square, anthracite/slate

- Square basin
- With gelcoat coating
- Colour: white matt
- Without overflow
- With tap hole Ø 35 mm
- With 2 pieces mounting angle

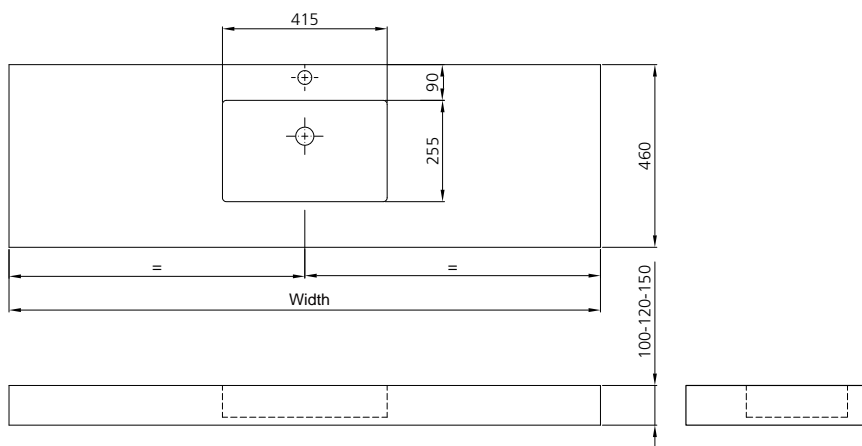
Dimensions

Washbasin (WxHxD): 500–1600x100x460 mm

Basin (WxHxD): 415x80x255 mm

Tap hole: Ø 35 mm

Note:
Overflow available at no additional charge.



Anthracite with slate texture

Three different washbasin heights:
Standard: 100 mm; with long basin: 120 mm; with tray or drawer: 150 mm



2 pieces mounting bracket already included in the scope of delivery

Description	Colour	Width	Article number
Washbasin mineral cast gelcoat, square	Anthracite/Slate	500 mm	CONW2111220500
Washbasin mineral cast gelcoat, square	Anthracite/Slate	700 mm	CONW2111220700
Washbasin mineral cast gelcoat, square	Anthracite/Slate	800 mm	CONW2111220800
Washbasin mineral cast gelcoat, square	Anthracite/Slate	900 mm	CONW2111220900
Washbasin mineral cast gelcoat, square	Anthracite/Slate	1000 mm	CONW2111221000
Washbasin mineral cast gelcoat, square	Anthracite/Slate	1100 mm	CONW2111221100
Washbasin mineral cast gelcoat, square	Anthracite/Slate	1200 mm	CONW2111221200
Washbasin mineral cast gelcoat, square	Anthracite/Slate	1400 mm	CONW2111221400
Washbasin mineral cast gelcoat, square	Anthracite/Slate	1600 mm	CONW2111221600

Washbasin solutions

Additional charges for optional extras

NEW

CONO875000
second basin



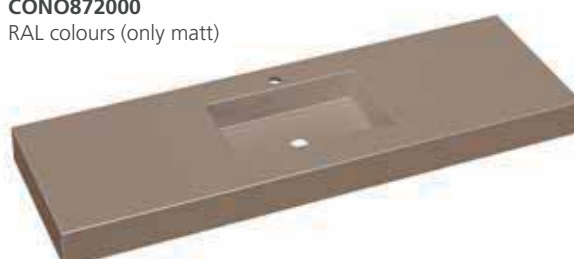
CONO873000
basin off-centre



CONO876000
White glossy



CONO872000
RAL colours (only matt)



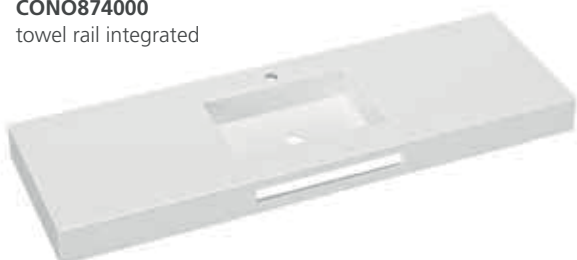
CONO871000
basin rounded corners



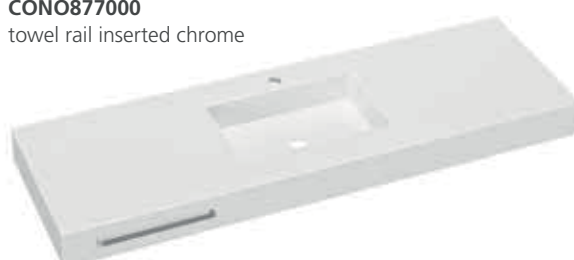
CONO871400
large basin



CONO874000
towel rail integrated



CONO877000
towel rail inserted chrome



Description	Article number
Surcharge for second basin; minimum width of wash basin: 1200 mm	CONO875000
Surcharge for basin placed off-centre	CONO873000
Surcharge for colour White glossy	CONO876000
Surcharge for RAL colour according to RAL card from 1 piece washbasin (only matt)	CONO872000
Surcharge for basin rounded corners 420x300 mm; minimum depth wash basin: 460 mm	CONO871000
Surcharge for extra large basin: min. 1000 mm basin sizes (WxHxD): 600x100x300 mm or 800x100x300 mm	CONO871400
Surcharge for integrated towel rail; dimensions: 400x40 mm	CONO874000
Surcharge for inserted towel rail, chrome; length: 350 mm	CONO877000

Additional charges for optional extras

NEW

CONO871200
hygienic edge



CONO878000
tray integrated



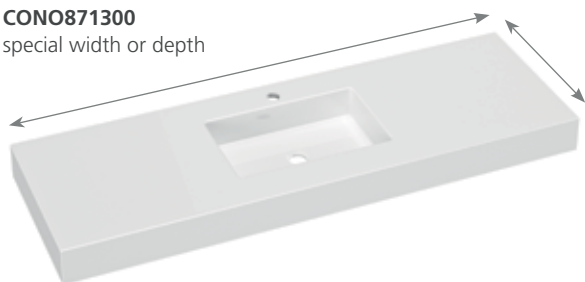
CONO871100
drawer integrated



CONO879000
tray with lid



CONO871300
special width or depth



CONO870010
10 cm extra width



CONO870001
additional mounting bracket



Description	Article number
Surcharge per meter for hygienic edge; dimensions (HxD): 50x19 mm	CONO871200
Surcharge for integrated tray; washbasin height: 150 mm	CONO878000
Surcharge charge for integrated drawer; washbasin height: 150 mm	CONO871100
Surcharge for square tray with lid; dimensions (WxL): 160x255 mm	CONO879000
Surcharge for special width or special depth; each at least 400 mm	CONO871300
Surcharge per 10 cm extra width to next larger width in 10 cm steps	CONO870010
Surcharge for mounting bracket per piece; Note: 2 pieces mounting bracket already included in the scope of delivery washbasin mineral cast gelcoat	CONO870001

Washbasin
solutions

Countertop washbasin with self-supporting siphon

	<p>Countertop washbasin, white, with self-supporting siphon</p> <p>Ø 300 mm Dimension (ØxD): 300x100 mm Net weight: 2,30 kg Faucet note*: Optimal impact point approx. 80 – 110 mm from the rear edge of basin</p> <p>Ø 360 mm Dimension (ØxD): 360x125 mm Net weight: 3,30 kg Faucet note*: Optimal impact point approx. 80 – 110 mm from the rear edge of basin</p> <p>Ø 450 mm Dimension (ØxD): 450x130 mm Net weight: 4,50 kg Faucet note*: Optimal impact point approx. 130 – 180 mm from the rear edge of basin</p> <p>Material: Enamelled steel Colour basin: White, easy-care surface white Colour siphon: Stainless steel matt or chromed Standard equipment: Without tap hole, without overflow</p>		
Description	Dimension	Colour siphon	Article number
Countertop washbasin, with self-supporting siphon	Ø 300 mm	Chromed	CONW6003500
Countertop washbasin, with self-supporting siphon	Ø 300 mm	Stainless steel matt	CONW2003500
Countertop washbasin, with self-supporting siphon	Ø 360 mm	Chromed	CONW6003501
Countertop washbasin, with self-supporting siphon	Ø 360 mm	Stainless steel matt	CONW2003501
Countertop washbasin, with self-supporting siphon	Ø 450 mm	Chromed	CONW6003502
Countertop washbasin, with self-supporting siphon	Ø 450 mm	Stainless steel matt	CONW2003502

*Optimal impact on the sink for faucets with vertical outlet (angle of impact 90 °) and with built-in spray head

Self-supporting siphon

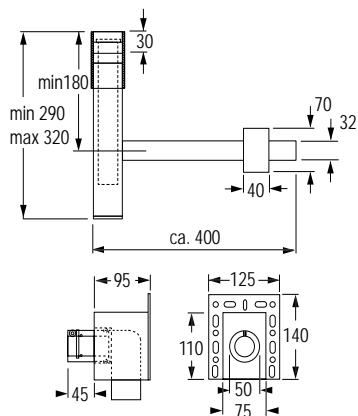


Self-supporting siphon

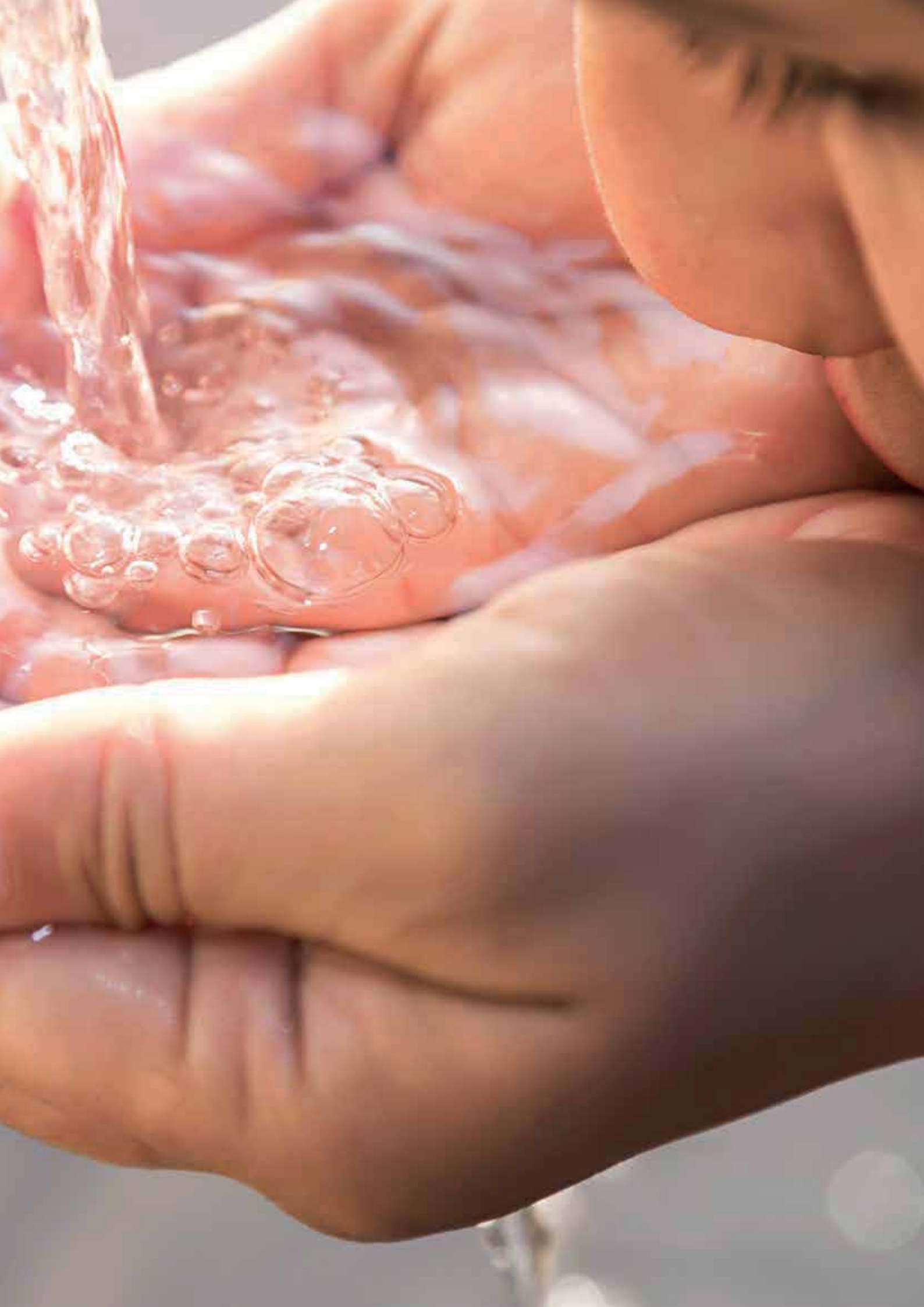
Self-supporting siphon with wall box and special waste without storage function

- Adjustable height and length
- Delivery without basin

Load capacity up to 150 kg!



Description	Material / Colour	Article number
Self-supporting siphon	Chromed brass	CONT09300010000
	Stainless steel matt	CONT09200010000





Hygiene solutions



Hygiene solutions

PREVENTIVE | PERMANENT | ACUTE

Preventive, permanent and acute disinfection of drinking water, surfaces, rooms and room air systems, hands and swimming pool filters

Drinking water disinfection during operation for microbiological sanitation and abrasive removal of biofilm.



Disinfection solution

Drinking water disinfection	446
Surface disinfection	447
Room disinfection	449
Swimming pool filter disinfection	451

Dosing systems

Pump and tank sets	452
Connection sets	453
Mobility equipment	454

Accessories

Flushing units.....	457
Fogging devices	458
Redox measuring instruments	459
Drinking water hygiene test	461

Drinking Water Disinfection, box/IBC

NEW



CONTI+ oXan™ zero Disinfectant, 20 litres box, 640/1000 litres IBC

For drinking water disinfection according to § 11 of the Drinking Water Ordinance. CONTI+ oXan™ zero for microbiological rehabilitation of drinking water installations and system disinfection according to DVGW W 557.

Conformity with drinking water regulation 2018. Residue-free elimination of microbiological contamination. Cleaning of drinking water installations by abrasive decomposition of the biofilm.

Effect spectrum: bactericidal, fungicidal, sporocidal, virucidal, algicidal.

- pH-neutral **ready-to-use concentrate** with depot effect
- No resistance formation
- Free of pollutants and hazardous substances
- No cytotoxicity (cell and tissue damage)
- No phytotoxicity (plant damage)
- Without solvents, alcohol, aldehyde and fragrances
- Eye, skin and mucous membrane compatible

Please note:

Use biocides safely. Always read the label and product information before use.

Description	Filling volume	Article number
CONTI+ oXan™ zero Drinking water hygiene disinfectant ready-to-use concentrate	20 litres box	CONB91200020
	640 litres IBC	CONB91300640
	1000 litres IBC	CONB91301000

Surface disinfection, spray bottle

NEW



CONTI+ oXan™ clean Disinfectant, 100/500 ml spray bottle

For surface disinfection of tools, installation components, equipment and storage surfaces as well as hands. Use in the construction and maintenance of drinking water installations. Residue-free removal of microbiological contamination.

Effect spectrum: bactericidal, fungicidal, sporocidal, virucidal, algicidal.

- pH-neutral **ready-to-use solution**
- No resistance formation
- Free of pollutants and hazardous substances
- No cytotoxicity (cell and tissue damage)
- No phytotoxicity (plant damage)
- Without solvents, alcohol, aldehyde and fragrances
- Eye, skin and mucous membrane compatible

Please note:

Use biocides safely. Always read the label and product information before use.

Description	Filling volume	Article number
CONTI+ oXan™ clean Surface hygiene disinfectant Ready-to-use solution	100 ml spray bottle/PU 35 pcs.	CONB92100101
	500 ml spray bottle/PU 12 pcs.	CONB92100501

Surface disinfection, box/IBC

NEW



CONTI+ oXan™ clean Disinfectant, 5/10 litres box, 300/640/1000 litres IBC

For surface disinfection of tools, installation components, equipment and storage surfaces as well as hands. Use in the construction and maintenance of drinking water installations. Residue-free removal of microbiological contamination.

Effect spectrum: bactericidal, fungicidal, sporocidal, virucidal, algicidal.

- pH-neutral **concentrate** with depot effect
- No resistance formation
- Free of pollutants and hazardous substances
- No cytotoxicity (cell and tissue damage)
- No phytotoxicity (plant damage)
- Without solvents, alcohol, aldehyde and fragrances
- Eye, skin and mucous membrane compatible

Please note:

Use biocides safely. Always read the label and product information before use.

Description	Filling volume	Article number
CONTI+ oXan™ clean Surface hygiene disinfectant Concentrate	5 litres box	CONB92200005
	10 litres box	CONB92200010
	300 litres IBC	CONB92200300
	640 litres IBC	CONB92200640
	1000 litres IBC	CONB92201000

Disinfection of room and air conditioning systems, spray bottle

NEW



CONTI+ oXan™ fresh Disinfectant, 100/500 ml spray bottle

For disinfection of room air and room conditioning systems.
Destruction of fungal spores and germs. Odour elimination and dust removal.
Residue-free removal of microbiological contamination.

Effect spectrum: bactericidal, fungicidal, sporocidal, virucidal, algicidal.

- pH-neutral **ready-to-use solution**
- No resistance formation
- Free of pollutants and hazardous substances
- No cytotoxicity (cell and tissue damage)
- No phytotoxicity (plant damage)
- Without solvents, alcohol, aldehyde and fragrances
- Eye, skin and mucous membrane compatible

Please note:

Use biocides safely. Always read the label and product information before use.

Description	Filling volume	Article number
CONTI+ oXan™ fresh Room air disinfectant Ready-to-use solution	100 ml Spray bottle/PU 35 pcs.	CONB93100101
	500 ml Spray bottle/PU 12 pcs.	CONB93100501

Disinfection of room and air conditioning systems, box

NEW



CONTI+ oXan™ fresh Disinfectant, 5/10 litres box

For disinfection of room air and room conditioning systems.
Destruction of fungal spores and germs. Odour elimination and dust removal.
Residue-free removal of microbiological contamination.

Effect spectrum: bactericidal, fungicidal, sporocidal, virucidal, algicidal.

- pH-neutral **concentrate** with depot effect
- No resistance formation
- Free of pollutants and hazardous substances
- No cytotoxicity (cell and tissue damage)
- No phytotoxicity (plant damage)
- Without solvents, alcohol, aldehyde and fragrances
- Eye, skin and mucous membrane compatible

Please note:

Use biocides safely. Always read the label and product information before use.

Description	Filling volume	Article number
CONTI+ oXan™ fresh Room air disinfectant Concentrate	5 litres box	CONB93200005
	10 litres box	CONB93200010

Swimming pool filter disinfection, box/IBC

NEW



CONTI+ oXan™ prime Disinfectant, 20 litres box, 640/1000 litres IBC

For disinfection of swimming pool filters.
Residue-free removal of microbiological contamination.

Effect spectrum: bactericidal, fungicidal, sporocidal, virucidal, algicidal.

- pH-neutral **ready-to-use concentrate** with depot effect
- No resistance formation
- Free of pollutants and hazardous substances
- No cytotoxicity (cell and tissue damage)
- No phytotoxicity (plant damage)
- Without solvents, alcohol, aldehyde and fragrances
- Eye, skin and mucous membrane compatible

Please note:

Use biocides safely. Always read the label and product information before use.

Description	Filling volume	Article number
CONTI+ oXan™ prime Swimming pool filters disinfectant ready-to-use concentrate	20 litres box	CONB94200020
	640 litres IBC	CONB94300640
	1000 litres IBC	CONB94301000

Swimming pool
filter Hygiene

CONTI+ Dosing system

NEW



CONTI+ Dosing system

Magnetic diaphragm dosing pump, mounted on a plastic dosing container with suction line, injection point and hose. Dosing of CONTI+ oXan™ zero disinfectant in drinking water installations in combination with CONTI+ connection set dosing system.

Technical data

Display:	coloured
Delivery rate:	9 l/h at 6 bar - 10 l/h at 3 bar
Power adjustment:	stroke frequency adjustable 0 - 180 strokes/min
Material dosing head and valves:	PVC
Control unit:	230 V/AC, 50/60 Hz
Electrical connection:	1.8 m mains cable with plug, Europe (at 230 V/AC)
Suction valve DN4/ discharge valve DN4:	double ball ceramic/PVDF/FPM (ball/seat/gasket)
Material suction connection:	PVC
Suction connection:	hose clamp connection set 4/6, 6/9 and 6/12
Material pressure connection:	PVC
Pressure connection:	hose clamp connection set 4/6, 6/9 and 6/12
Dosing head arrangement:	Floor mounting
Suction line:	Type SL-2 DN6 6/9 PVC with PVC hose 2.5 m
Injection point:	Type R DN4 d1-G1/2-d2-6/9 PVC/FPM
Hose:	6/9 PE, length 5 m (P max. 10 bar)
Colour:	RAL 5012 light blue and black
Container:	closed, with adapter for container mounting

Dimensions containers

Filling volume	Width	Hight	Depth
35 litres	approx. 320 mm	approx. 520 mm	approx. 320 mm
75 litres	approx. 460 mm	approx. 645 mm	approx. 460 mm
100 litres	approx. 460 mm	approx. 805 mm	approx. 460 mm
200 litres	approx. 600 mm	approx. 900 mm	approx. 600 mm
300 litres	approx. 670 mm	approx. 1050 mm	approx. 670 mm

Dimensions containers with pump

Filling volume	Width	Hight	Depth
35 litres	approx. 320 mm	approx. 734 mm	approx. 320 mm
75 litres	approx. 460 mm	approx. 859 mm	approx. 460 mm
100 litres	approx. 460 mm	approx. 1019 mm	approx. 460 mm
200 litres	approx. 600 mm	approx. 1114 mm	approx. 600 mm
300 litres	approx. 670 mm	approx. 1264 mm	approx. 670 mm

Description	Filling volume	Article number
CONTI+ Dosing system for Drinking Water Hygiene	35 litres	CONB11109035
	75 litres	CONB11109075
	100 litres	CONB11109100
	200 litres	CONB11109200
	300 litres	CONB11109300

CONTI+ Connection set dosing system

NEW



CONTI+ Connection set dosing system

Connection set for CONTI+ dosing system for dosing CONTI+ oXan™ zero in Drinking water installations.

Technical data

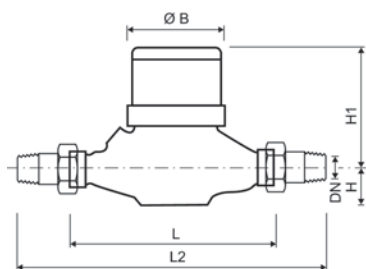
- DN20 Water meter DP 405-5 DN20 G1 Ms
1 l/pulse Q max = 5,000 l/h readable
T-piece reduced R1 – R 1/2 – R1 PN25
Socket M12x1 A-coded
Screw terminal connection 4-pole

- DN25 Water meter DP 405-12 DN25 G1 1/4 Ms
1 l/pulse Q max = 7,880 l/h readable
T-piece reduced R1 1/4 – R1/2 – R1 1/4 PN25
Socket M12x1 A-coded
Screw terminal connection 4-pole

- DN32 Water meter DP 405-5 DN32
1 l/pulse Q max = 10,000 l/h readable
T-piece reduced R1 1/2 – R1/2 – R1 1/2 PN25
Socket M12x1 A-coded
Screw terminal connection 4-pole

- DN40 Water meter DP 405-20 DN40 G2 Ms
1 l/pulse Q max = 20,000 l/h readable
T-piece reduced R2 – R1/2 – R2 PN25
Socket M12x1 A-coded
Screw terminal connection 4-pole

- DN50 Water meter DP 405-30 DN50 G2 1/2 Ms
1 l/pulse Q max = 31,250 l/h readable
T-piece reduced R2 1/2 – R1 – R2 1/2 PN25
Reduction nipple R 1 (AG) – Rp 1/2 (IG))
Socket M12x1 A-coded
Screw terminal connection 4-pole



Nominal diameter (in mm)	DN	20	25	40	50
Overall length (DIN ISO 4064)	L	190	260	300	270
Overall length with screw connection	L2	288	378	438	–
Height	H	35	45	50	52
Height 1	H1	120	125	140	142
Diameter Ø	B	96	102	137	137

Description	Connector	Article number
CONTI+ Connection set dosing system	DN20	CONB25204050
	DN25	CONB25254050
	DN32	CONB25324050
	DN40	CONB25404050
	DN50	CONB25504050

Dosing System

CONTI+ Mobile dosing unit

NEW



CONTI+ Mobile dosing unit

Hand truck with pre-mounted spill protection container for mobilising the CONTI+ dosing system.

- Load capacity: 300 kg
- Pneumatic tyres
- Safety handles and sheet steel shovel
- Tubular steel frame with skids
- Height: 1.300 mm

Dimensions hand truck with sump tray:

Filling volume	Width	Height	Depth
35 litres	approx. 580 mm	approx. 1300 mm	approx. 1012 mm
75 litres	approx. 580 mm	approx. 1300 mm	approx. 1102 mm
100 litres	approx. 580 mm	approx. 1300 mm	approx. 1102 mm
200 litres	approx. 640 mm	approx. 1300 mm	approx. 1240 mm
300 litres	approx. 758 mm	approx. 1300 mm	approx. 1w358 mm

Example: Use



Description	Sump tray	Article number
CONTI+ Mobile dosing unit	35 litres	CONB26420035
	75 litres	CONB26500075
	100 litres	CONB26500100
	200 litres	CONB26650200
	300 litres	CONB26770300

CONTI+ Mobile dosing unit, currentless

NEW

**Note:**

Box not included.

CONTI+ Mobile dosing unit, currentless, with connecting set 0,3–6 bar

Currentless proportional dosing of CONTI+ oXan™ zero in drinking water installations.

- Hand truck with three hard rubber wheels each, also for coping with steps
- Electroless dosing pump
- Connection set with flexible hoses and tap
- Unit can be completely dismantled for transport

Technical data

- hydraulic differential piston engine, self-priming
- Dosing range: 0.03 - 25 %
- Pressure range: 0.3 - 6 bar
- Water flow rate: 10 - 3000 l/h
- Dosing feed: 0.003 - 300 l/h
- Pressure loss: 0.2 - 2.3 bar
- Drive water temperature (max.): 40 °C
- Drive water temperature (min.): 5 °C
- Suction height (max.): 4 m

Description

Article number

CONTI+ Mobile dosing unit, currentless

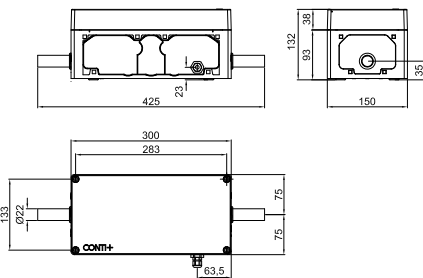
CONB13036000

CONTI+ CONFLUSH flushing unit for microbiological sanitation

NEW



**DN
20**



CONFLUSH flushing unit for microbiological sanitation with Disinfection solution Drinking water hygiene

Rinsing of disinfectant solution Drinking water hygiene through the entire drinking water installation for buildings without automatic flush valves.

- Plastic box with integrated DN20 flushing unit
- Version with two bistable solenoid valves ROBUST
- Opening and closing of the control unit by current pulses
- Object-specific flushing times by timer 230 V
- T-piece installation on site
- Outer diameter stainless steel connection pipes: 22 mm
- With advance shut-off
- Free discharge into the drain or overflow

Description	Connection	Article number
CONTI+ CONFLUSH flushing unit for microbiological sanitation	DN20	CONE6100180200

AF Mobile flushing unit for washbasin faucets

NEW



Mobile flushing unit for mechanical washbasin faucets to prevent stagnation during temporary vacancy or non-use.

- self-sufficient unit
- automatic pipe flushing
- electronic overflow protection
- adjustable flushing times: 30 s, 1 min, 2 min, 3 min, 4 min, 5 min and 10 min
- adjustable flushing intervals: 1 h, 2 h, 4 h, 8 h, 12 h, 24 h, 48 h and 72 h



Dimensions (LxØ): 100.2x49.5 mm
 Water connections: M24, M22, G 1/2
 Flushing capacity: 20 l/min
 Operating pressure: 0.2 - 10 bar
 Operating temperature: 0 - 90 °C
 Power supply: 9 V block battery
 Protection class: IP68

Scope of delivery CONB38000833



- 1 x mobile flushing unit
- 1 x adapter M22 and M24 each
- 1 x each M22 and M24 double open-end wrench
- 1 x plastic case

Description	Application	Accessories	Article number
AF Mobile flushing unit	for washbasin faucets	without Accessories case	CONB38000800
		incl. Accessories case	CONB38000833


CONTI+ Cold fogger disinfection solution room air disinfection, 3 nozzles

 	<p>Cold fogger disinfection solution room air disinfection, 3 nozzles</p> <p>ULV fogger for disinfectant for room hygiene - 3 nozzles</p> <ul style="list-style-type: none"> • Ultra-low-Volume Aerosol fogger • Plug-and-Play-system • 3 nozzles • with integrated dosing t-piece • droplet size adjustable: 5–50 µm • throw distance (max.): ca. 10 m • flow rate (max.): 19 l/h • 3.8-l-tank • robust construction • net weight: 3 kg • main supply 230 V 	
	Description	Version
CONTI+ Cold fogger Room air disinfectant	3 nozzles	CONB22031019


CONTI+ Car fogger

 	<p>Automotive fogging unit, adjustable nozzle angle</p> <p>For disinfection of vehicle cabins, closed freight hold and rooms up to 100 cbm.</p> <ul style="list-style-type: none"> • handle with valve for switch of compressed-air • rack to hang in the vehicle or usable as stand • Disinfectant tank • compressed-air hoses, adjustable nozzle <p>Technical Data</p> <p>Operating pressure: 2.5 bar Tank size: 1 l Flow rate: approx. 80 ml/5 min Air consumption spray: approx. 100 l/min Compressed-air hoses connection: NW 7.2</p>	
	Description	Version
CONTI+ Car fogger Room air disinfectant	adjustable nozzle	CONB22000430


CONTI+ Redox measuring instrument without determination of temperature

	<p>Redox measuring instrument without determination of temperature</p> <p>Digital Redox measuring device inclusive transport box</p> <p>Technical data: Metering range: -1999 ~ 1999 mV Resolution: 1 mV Accuracy: ± 5 mV Service temperature: 0 ~ 50 °C Calibration: manual by mini screw driver (within the scope of delivery)</p> <p>Note: Before use calibration of measuring device could be necessary</p>	
	Description	Version
CONTI+ Redox measuring instrument	without determination of temperature	CONB21000000

CONTI+ Redox- and pH-Value test equipment with determination of temperature

	<p>Redox- and pH-value test equipment with determination of temperature</p> <p>CONTI+ Redox- and pH-Value test equipment with determination of temperature to test Redox potential, pH-value and water temperature.</p> <ul style="list-style-type: none"> • LC Display with Battery status • Hold-button for value fixing • Auto-off function (after 8 min) • Water tight and able to swim • Factory calibration, changeable electrode <p>Technical data: Redox potential metering range: +/- 1000 mV Redox potential metering scale: 1 mV Redox potential accuracy: +/- 2 mV Temperature metering range: - 5,0-60 °C Temperature metering scale: 0.1 °C Temperature accuracy: +/- 0.5 °C Battery type: 1.5 V Dimension: 163x40x26 mm Weight: 0.1 kg</p> <p>Note: ORP meters may need to be calibrated before use.</p>	
	Description	Version
CONTI+ Redox measuring instrument	With determination of temperature	CONB21000010

CONTI+ Photometer

	<p>Photometer for determination of Redox, DPD, pH-value</p> <p>CONTI+ photometer for determination of Redox potential, free active chlorine DPD-measuring), bounded or total chlorine and pH-value of drinking and pool water.</p> <p>Bluetooth 4.0 for cable free synchronisation of measuring results per computer or smartphone with software or App.</p> <p>Scope of delivery:</p> <ul style="list-style-type: none"> • Water tight packaging box • Photometer, light protection cap • Stirring staff, syringe and 3 x AAA batteries • Reagent tablets 30 x DPD No 1 • 10 x DPD No 3, 20 x Phenol Red, 10 x CYA-Test • 10 x Alkalinity-M. <p>Technical data: Temperature metering range: 5,0-45 °C Dimensions (WxHxD): 70x260x130 mm Protection class: IP68</p>	
	Description	Version
CONTI+ Photometer	digital	CONB21000020

Packaging units CONTI+ oXan™ disinfectants

Packaging	Pieces per box	Boxes per layer	Layers on pallet	Quantity on pallet
100 ml spray bottle	35	12	6	2520
500 ml spray bottle	12	9	4	432

Packaging	Pieces per layer	Layers on pallet	Quantity on pallet
5 litres Box	24	4	96
10 litres Box	24	2	48
20 litres Box	12	3	36
300 litres IBC	–	–	1
640 litres IBC	–	–	1
1.000 Liter IBC	–	–	1

Drinking water hygiene test - bacteria, fungi and yeasts

NEW



Drinking water hygiene test, total germ count and detection, 1/10 pieces

Quantitative determination colony forming units of bacteria, fungi and yeast according to analogy pictures.

- Useful for liquids, surfaces and powders
- Lidded containers with integrated immersion culture media
- Yellow layer for determination of colony forming units of bacteria
- Purple layer for determination of fungi and yeast

Note:

The drinking water hygiene test is not a accredited test method.

Description	Application	Quantity	Article number
Drinking water hygiene test	Total plate count and detection	1 Piece	CONB37001301
		10 Pieces	CONB37001311





Information

Information

General terms and conditions 464

General terms and conditions

CONTI Sanitärarmaturen GmbH

Our offers, order confirmations, sales and deliveries are exclusively subject to the following Terms and Conditions. These also apply to all future transactions even if we do not expressly refer to them in each individual case. Terms and conditions of the customer (buyer or ordering party) do not become part of the contract, even if they have not expressly been objected to. Any individual agreements made with the buyer on a case-by-case basis (including side agreements, supplements and amendments) always take priority over these General Terms and Conditions. Subject to evidence to the contrary, the content of such agreements requires a written contract or our written confirmation. Our Terms and Conditions apply only with respect to entrepreneurs within the meaning of sections 14, 310(1) German Civil Code (Bürgerliches Gesetzbuch – “BGB”).

I. Offer

1. Any documents provided in the context of an offer, such as illustrations, drawings, weights and dimensions, shall only be approximate unless they are expressly stated as binding. We reserve rights of ownership and copyright in relation to cost quotations, calculations, drawings and any other documents. This shall also apply to written documents that have been designated as being “confidential”. Any transfer to third parties by the customer requires our prior express written consent.

2. Quoted prices shall be non-binding.

3. Goods orders placed by customers are deemed to constitute a binding contract offer. Unless otherwise indicated in the order, we are entitled to accept this contract offer within two weeks after receiving it.

4. Acceptance may be declared either in writing (e.g. by order confirmation) or by delivery of the goods to the customer.

II. Scope of delivery

The scope of delivery shall be based (i) on our written order confirmation or (ii) on the offer in the case of an order with a fixed period of validity and timely acceptance provided that no order confirmation is issued.

III. Delivery time

1. Details regarding delivery times and dates are always only approximate and without obligation. If, in individual cases, we have expressly stated that the delivery time is binding, it shall only commence after all details regarding the pending delivery – in particular all technical questions – have been clarified and only in the event of the timely and complete fulfilment of the customer’s contractual obligations. We reserve the right to invoke the “defence of non-performance of the contract” (Einrede des nicht erfüllten Vertrages).

2. The delivery time shall be reasonably extended in the event of measures in the context of industrial action, in particular strikes and lockouts, as well as if unforeseen obstacles arise that are beyond our control if such obstacles demonstrably have a significant influence on the completion or delivery of the delivery item. The same applies if those circumstances arise with sub-contractors. We are not re-

sponsible for the aforementioned circumstances even if they occur during a pre-existing delay. In important cases, we will notify the customer of the start and end of such obstacles as soon as possible.

3. The delivery deadline is deemed to have been met if, prior to its expiry, the delivery item has left the factory.

4. If a customer is in default of acceptance or violates any other obligations to cooperate, we are entitled to claim damages for any loss or damage incurred in this regard, including any additional expenses incurred. This shall not affect any further rights and claims.

5. If the conditions laid down in clause III.4 have been met, the risk of accidental loss or accidental deterioration of the purchased item passes to the customer at the time at which the customer is in default of acceptance or payment.

6. In the event of call-off orders, the delivery date is deemed to be the period agreed between the customer and us. If the orders are not called-off within a reasonable grace period set by us, we are free to deliver the goods and invoice them or to withdraw from the purchase agreement and assert a claim for damages.

IV. Prices, terms of payment

1. Unless otherwise indicated in the offer or the order confirmation, our prices effective on the day of delivery apply “FCA Wetttemberg”, including packaging if applicable. The prices apply in addition to value added tax at the statutory rate as applicable at the time of delivery.

2. The deduction of a cash discount requires a specific written agreement. Unless indicated otherwise in the order confirmation, the net price (without any deduction) is due and payable within 30 days from invoicing. Customer service invoices are payable net immediately. If the customer is in default of payment, we are entitled to claim default interest of 9% over the base rate pursuant to section 247 BGB. We reserve the right to claim additional loss or damage caused by the default. Any circumstances that come to light after the contract has been entered into which may reduce the customer’s creditworthiness result in all our claims falling due immediately and entitle us to request security.

3. Customers shall only be entitled to set off any payment claims if their counterclaims have been upheld and declared unappealable by a court of law, or if such counterclaims are uncontested or have been accepted by us. In addition, customers shall only be entitled to exercise a right of retention if their counterclaim is based on the same contractual relationship.

4. Unless otherwise indicated in the offer or the order confirmation freight and document charges shall be born by the customer.

5. Goods that have been supplied free of defects may only be returned once we have granted our written approval. For all returned goods, we will deduct 35% from the credited price for processing costs. Any necessary reconditioning or repackaging costs will be charged for separately. The customer shall bear the return transport

risk and the return transport costs. Only returns of any kind that are free of charge and have been agreed or approved by CONTI Sanitärarmaturen GmbH prior to the return will be accepted.

6. Our commercial agents are not entitled to collect any payments.

V. Transfer of risk and acceptance

1. Unless otherwise indicated in the order confirmation, delivery "FCA Wettenberg" shall be deemed agreed. Any transport packaging and other packaging in accordance with the German Packaging Regulations (Verpackungsverordnung) are not taken back, except for pallets and the items referred to in clause IV.5. Customers are obliged to organise the disposal of the packaging at their own expense.

2. If customers require, we will insure the consignment against any transport damage as well as against any other insurable risks. The costs that accrue in that regard will be borne by the customer.

3. The risk shall pass to the customer acc. to the agreed Incoterm, even if partial deliveries are made or if we have taken on additional obligations such as dispatch costs or delivery and installation. We reserve the right to determine the shipping method.

4. If delivery or shipping is delayed due to circumstances for which the customer is responsible, the risk passes to the customer from the day on which the customer is notified that the goods have been made available; at the request and cost of the customer, we will insure the goods that are to be supplied.

5. Delivered items must be accepted by the customer – even if they have insignificant defects – without prejudice to the rights under clause VIII.

6. Part deliveries are permissible.

VI. Reservation of title

1. We reserve title in the delivered goods until receipt of all payments due under the contract. If customers act in breach of contract, in particular if customers default on their payment obligations, we are entitled to take back the goods. Our taking back of the goods does not constitute a withdrawal from the contract unless we have expressly declared this in writing. After taking back the goods we are entitled to sell these. The proceeds of sale shall be credited against the customer's liabilities – less any reasonable costs of sale.

2. Customers are obliged to treat the delivered goods with due care; customers are in particular obliged, at their own expense, to insure the goods sufficiently and at replacement value against damage caused by fire, water and theft. If any maintenance and inspection work is required, customers shall perform this work in good time and at their own expense.

3. In the event of attachments or other third-party interventions, customers shall immediately notify us in writing to enable us to bring a legal action in accordance with section 771 German Code of Civil Procedure (Zivilprozessordnung – "ZPO"). If the third party is unable to reimburse us for the judicial or extrajudicial costs of a legal

action pursuant to section 771 ZPO, the customer shall be liable for any costs incurred by us.

4. Customers are entitled to resell any goods subject to reservation of title in the ordinary course of business; customers do, however, hereby assign to us all claims arising from the resale against their buyers or third parties together with all associated rights equivalent to our final invoiced amount (including VAT), irrespective of whether the goods have been resold with or without agreement. Customers shall remain authorised to collect this claim even after it has been assigned. This is without prejudice to our right to collect such claim ourselves. However, we undertake not to collect such claim as long as customers continue to meet their payment obligations in time and in full, as long as they are not in default of payment and, in particular, as long as no application has been made to start insolvency proceedings or suspend payments. If the authorisation to collect the claim is exercised, we are entitled to demand that customers notify us of the assigned claims and their debtors, provide all details necessary for a collection of such claims, hand over the attendant documents and notify the debtor (third party) of such assignment.

5. Any processing or transformation of the goods subject to reservation of title by the customer is always deemed to have been made on our behalf. If the goods subject to reservation of title are processed together with objects that do not belong to us, we shall acquire joint ownership of the new item at a ratio of the value of the goods subject to reservation of title (final invoice amount including VAT) in relation to the value of the other processed items at the time of processing. The same provisions as apply to the goods delivered subject to reservation of title shall apply in relation to the item that results from the processing.

6. If the goods subject to reservation of title are inextricably combined with objects that do not belong to us, we shall acquire joint ownership of the new item at a ratio of the value of the goods subject to reservation of title (final invoice amount including VAT) in relation to the other combined items at the time of combining. If the combination is such that the customer's goods are to be regarded as the main item, it shall be deemed to have been agreed that the customer shall transfer proportionate joint ownership to us. The customer shall hold the resulting sole or joint ownership on our behalf.

7. In order to secure our claims against them, customers also assign to us any claims which arise against a third party from the combination of the purchased item with a piece of real estate.

8. We undertake, upon the customer's request, to release the securities to which we are entitled to the extent that the realisable value of our securities exceeds the value of the claims to be secured by more than 10%; we are entitled to select which securities are to be released.

VII. Notifications of defect

1. Warranty rights of customers require that customers have duly met their duties to inspect and give notice of defects according to section 377 German Commercial Code (Handelsgesetzbuch – "HGB"). Customers are obliged to inspect the delivered parts immediately after receipt.

General terms and conditions

CONTI Sanitärarmaturen GmbH

2. In the case of obvious defects, any notifications of defects must be addressed to us in writing without delay within 8 days from receipt, and these will only be taken into account if the goods are still in the same condition which they were in when they were delivered. In the event of justified complaints we reserve the right to replace or repair the defective goods. If customers fail to duly inspect the goods and/or duly notify us of any defects, our liability with regard to the defect that we were not notified of either in a timely manner or in the proper form is excluded in accordance with the statutory provisions.

3. We must be notified of any other defects and any consequential damage that may occur without delay and no later than within 2 weeks after they were discovered or could have been discovered. The customer must ensure that all required measures to mitigate the damage are taken without delay. We must be given the opportunity to inspect the defective parts and the damage in situ in their unchanged state.

VIII. Liability for defects of delivery

We are liable for any defects in accordance with the following claims.

1. Parts that turn out to be defective due to circumstances prior to the passing of risk, in particular due to faulty design, poor materials or poor workmanship, will – at our discretion – either be repaired or replaced. The customer must return any replaced parts. If the repair is unsuccessful (section 440 sentence 2 BGB) or if the replacement item is also defective, the customer may reasonably reduce the contractually agreed price or withdraw from the contract. In the event of insignificant defects, a withdrawal from the contract is excluded. Special statutory provisions that apply if the unprocessed goods are to ultimately be delivered to a consumer shall remain unaffected in any event (recourse against supplier pursuant to sections 478 et seq. BGB) even if the consumer has processed the goods further.

2. Following consultation with us, the customer shall afford us the required time and opportunity to carry out all the repairs and replacements deemed necessary by us; otherwise we are deemed released from our liability for defects. Only in urgent cases which jeopardise operational safety and to prevent disproportionately large losses or damage – in which case we must be notified immediately and, where possible, our consent must be obtained – or if we are delayed in rectifying the defect, shall customers have the right to rectify the defect themselves or arrange for this to be done by qualified third parties and to request that we reimburse the necessary costs.

3. Provided that the complaint proves to be justified, we will bear any costs arising for purposes of inspection and subsequent performance following a notification of defects by the customer; otherwise, those costs shall be borne by the customer.

4. We will bear or reimburse the necessary costs incurred for purposes of inspection and subsequent performance – in particular costs of transport, infrastructure, labour and materials as well as disassembly and installation costs, if applicable – in accordance with

statutory provisions in the event that there is an actual defect. Otherwise we are entitled to require the customer to reimburse us for costs incurred due to the unjustified request to remedy a defect (in particular inspection and transport costs) unless the customer was aware of the lack of a defect or could have detected this.

5. All electrical installations and connection work that involves our products may only be carried out by skilled electrical contractors. In the event that the installation is not carried out professionally, we do not accept any functional warranty claims, any other warranty claims and any damages claims.

6. Even in the event of defects, claims of the customer for damages or compensation for expenses incurred in vain only exist in accordance with clause IX. and, apart from that, are excluded.

7. Claims and rights of customers for defects become statute-barred after 2 years.

IX. Liability for the breach of other obligations

1. We are liable for any loss or damage that we, a legal representative or a person employed in performing a contractual obligation for whom we are vicariously liable (Erfüllungsgehilfe) have caused due to intentional or grossly negligent breaches of duty.

2. In the event of ordinary negligence and subject to a more lenient standard of liability pursuant to statutory provisions (e.g. for the duty of care observed in our own affairs), we are only liable:

a) for loss or damage suffered due to injury to life, physical injury or health,

b) for loss or damage arising from a considerable breach of a fundamental contractual obligation (an obligation whose fulfilment is crucial for the proper performance of the contract and on the fulfilment of which the contracting party regularly relies and may duly rely); in this case our liability is, however, limited to compensation for the foreseeable loss or damage which typically occurs.

3. The restrictions of liability arising from clause IX.2 also apply in the event of breaches of duty by or for the benefit of persons for whose fault we are responsible in accordance with statutory provisions. The restrictions of liability do not apply if we have fraudulently concealed a defect or if we have provided an express warranty regarding the quality of the delivery items and for claims of the customer under the German Product Liability Act (Produkthaftungsgesetz).

Any liability beyond the above is excluded.

X. Liability for defects in the processing of parts that have been sent in

We do not accept such liability if these defects arise from the properties of the material. If parts that have been sent in become unusable during processing due to faults in the material or other defects of the parts, we are entitled to charge for the processing costs we have

incurred. If the work pieces become unusable due to circumstances for which we are responsible, we will process similar replacement pieces to the following extent:

a) In the event of individual orders, the customer shall provide a replacement piece free of charge and freight prepaid or we will deliver quantities that have been reduced accordingly.

b) In the event of series orders we will provide compensation if the reject rate exceeds 5% of the quantities supplied; compensation will be paid for the costs incurred by the customer for raw materials and wages, but no more than 5 times the processing value for the workpiece to be replaced. At our discretion, we may also produce or procure similar replacement pieces ourselves. The customer does not have any claims beyond these, regardless of the legal basis.

XI. Rights of the customer to withdrawal in the event of an impossibility of performance

1. The customer may withdraw from the contract if it becomes finally impossible for us to perform the contract in full prior to the passing of risk. The customer may also withdraw from the contract if, when ordering similar goods, the fulfilment of part of the delivery becomes impossible in terms of quantity and the customer has a legitimate interest in refusing a part delivery; if this is not the case, the customer may reduce the consideration accordingly.

2. If impossibility of performance occurs while the customer is in default of acceptance or is responsible for such impossibility, the customer shall remain obliged to pay the consideration.

3. If we fail to comply with an agreed delivery time, customers shall set a reasonable grace period for performance and if the grace pe-

riod is not met, then the customer is entitled to withdraw from the contract.

XII. Right of the supplier to withdrawal

1. In the case of unforeseen events within the meaning of clause III. – Provided that they significantly change the economic importance or the content of the goods or services owed or have a significant effect on our business – as well as in the case of an impossibility of performance which becomes apparent subsequently, the contract shall be reasonably adjusted. Insofar as this is not economically justifiable, we have the right to withdraw from the contract in whole or in part.

2. The customer does not have any damages claims because of such withdrawal. Should we wish to avail ourselves of this right of withdrawal in our capacity as suppliers, we will immediately inform the customer as soon as we realise the implications of the event, even if an extension of the delivery period was initially agreed with the customer.

XIII. Place of jurisdiction

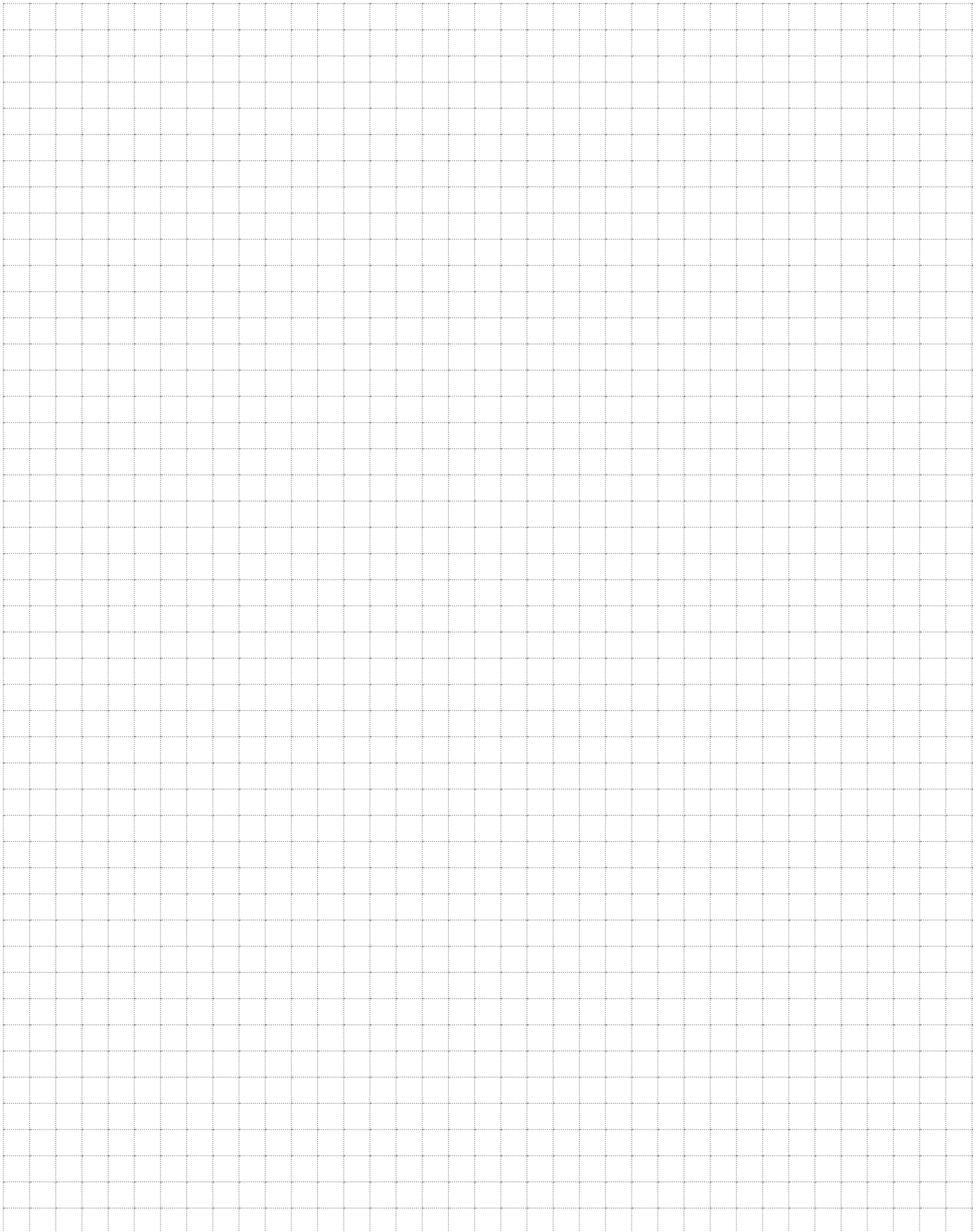
1. If the customer is a merchant, a legal person under public law or a special fund under public law, the place of jurisdiction for all disputes arising from the contractual relationship shall be Gießen, Germany. We shall also be entitled to bring legal actions at the customer's headquarters.

2. Unless otherwise indicated in the order confirmation, our registered office shall be the place of performance.

3. German law shall apply.

Effective date 07/2020
CONTI Sanitärarmaturen GmbH

Notes



Reliable & innovative

For over 40 years, the CONTI+ brand has been a byword for flexible and holistic shower room and washroom solutions for public, semi-public and commercial environments as well as the health sector.

Known for its innovative technology and high grade materials, the brand has gained a reputation for unflinching quality. With a wide-ranging product portfolio and many years of experience creating custom designs, CONTI+ is now widely recognised among design engineers and architects for its valuable contribution to their projects. Every last detail is contemplated when developing tailor-made products, resulting in smart, individual solutions to suit a plethora of applications and equipment. The choice of shower and washbasin fittings encompasses a variety of colours and finishes as well as options for surface or flush mounting. Naturally, sustainable, hygienic and reliable are prime considerations in the development of all products.

Thanks to its dependable quality and innovative technology, CONTI+ has remained a trusted brand throughout the world for over 40 years.

CONTI Sanitärarmaturen GmbH
Hauptstraße 98
35435 Wettenberg | Germany
Phone +49 641 98221 0
Fax +49 641 98221 50
info@conti.plus
www.conti.plus

Member of Fortuna Group 



*Certificates are product related and not valid in general