

# MISCEA PRODUCT CATALOGUE

EXPERIENCE HYGIENE



---

---

## **PRICE LIST GUARANTEE**

Prices are effective as of 1 June 2021. All previous versions are therefore considered ineffective. All delivery services are not included in product prices and are indicated separately. All prices are ex works and excluding VAT.

We reserve the right to adjust our prices to any changes beyond our reasonable control, e.g. major currency fluctuations. Although we do try to ensure that all information in this book is correct at the time of printing, we apologize for any alteration to products or the range that may be made during its life.

## **MISCEA GENERAL DISCLAIMER**

Every reasonable effort will be made to ensure that all featured merchandise is available, but interruption in supply may occur. miscea also reserves the right to vary specifications and design or use alternative materials or products as may be deemed necessary at any time (changes or variation not to affect quality or performance). Prices indicated are valid for the life of the this catalogue, as stated on the inside cover. While great care has been taken to ensure accuracy of all prices and descriptions, miscea reserves the right to correct errors or misprints, customs duty or other statutory charges that are out of our control.

Product Catalogue Version: V21.EN.GES.1.2

# MISCEA CONTACT INFORMATION

## GERMANY AND AUSTRIA

miscea GmbH  
Hauptstraße 2  
14979 Großbeeren  
Germany

Monday - Friday

08:00 - 17:00

T: +49 (0) 33701 3553 0

F: +49 (0) 33701 3553 19

E: berlin@miscea.com

Installation, user and maintenance manuals, technical drawings and specifications, and product safety data sheets can be found in the download page at [www.miscea.com](http://www.miscea.com).

## THE NETHERLANDS, BELGIUM AND LUXEMBOURG

miscea Benelux B.V.  
Transportweg 9F  
2421 LT Nieuwkoop  
The Netherlands

Monday - Friday

08:30 - 17:00 (CET)

T: +31 (0) 172 76 91 39

E: sales@miscea.com

## SWITZERLAND

miscea Schweiz GmbH  
Mühleweg 11  
CH-8135 Langnau am Albis  
Switzerland

Monday - Friday

08:30 - 17:00 (CET)

T: +41 (0) 44 714 72 75

F: +41 (0) 44 714 72 88

E: info@miscea.ch

## UNITED KINGDOM

Ecoprod Technique  
33-35 Portugal Rd  
Woking GU21 5JE  
United Kingdom

Monday - Friday

08:30 - 16:30 (CET)

T: +44 (0) 844 800 7890

E: enquiries@ecoprod.co.uk

## INTERNATIONAL

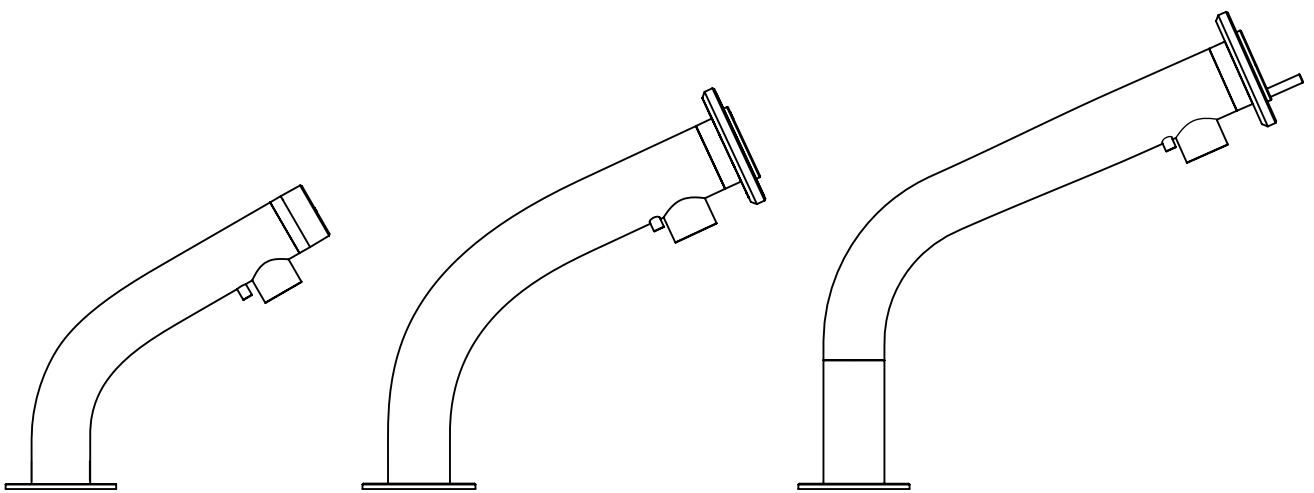
miscea International BV  
Smidsvuur 4  
2421 MP NIEUWKOOP  
The Netherlands

Monday - Friday

08:30 - 17:00 (CET)

T: +31 (0) 172 76 91 39

E: info@miscea.com



# TABLE OF CONTENTS

	PAGE
<b>INTRODUCTION</b>	<b>7</b>
Our hand hygiene saves lives	7
The miscea concept	10
Experience technology	12
<b>SO, WHY USE MISCEA?</b>	<b>14</b>
Achieve optimal hand hygiene	16
Create safe and stylish spaces	20
Experience joy in easy operation	22
Ensure water quality	24
Achieve sustainable hygiene	28
Reduce costs	30
Enjoy award winning design	32
Experience quality Made in Germany	34
<b>MISCEA SENSOR FAUCET SYSTEMS</b>	<b>36</b>
miscea CLASSIC	38
miscea CLASSIC pure	42
miscea KITCHEN	46
miscea LIGHT	50
<b>DRINKING WATER &amp; HYGIENE</b>	<b>55</b>
miscea Coldstream Filter System	60
miscea Coldstream Max Filter Cartridge	61
miscea aquamore System	62
<b>REFILLS / ACCESSORIES</b>	<b>72</b>
Liquid Refills	74
Accessories	75
<b>SYSTEM COMPONENTS / SERVICE</b>	<b>80</b>
Soapbox	82
Waterbox	83
Service	84
<b>COMPANY PROFILE</b>	<b>86</b>
miscea GmbH	86





# OUR HAND HYGIENE SAVES LIVES

## **MANY INFECTIOUS DISEASES ARE SPREAD BY NOT WASHING HANDS WELL**

The skin on our hands is the first line of defence against infections. Our hands come in contact with germs all the time and we transfer these germs to everything that we subsequently touch. Any cuts or lesions of the skin are possible sources of entry for viruses and bacteria, so it's care and hygiene is crucial for reducing the risk of becoming ill.

Although we are unable to see bacteria, according to the WHO, up to 80% of all infectious diseases are transmitted through inadequate hand hygiene. Proper and regular hand washing and disinfecting therefore reduces the risk of possible illnesses such as the flu, food poisoning and healthcare associated infections being passed from one person to the next.

Wherever there are many people present, be it in a healthcare setting, office, production hall, in a shop or in public places, the risk of transmitting infectious diseases is particularly high. There are pathogens (such as noroviruses, influenza viruses), which can lead to epidemics. Good hand hygiene is therefore one of the primary measures to prevent the spread of infection.

# EVERYONE **HAS EXPERIENCED** THESE MOMENTS BEFORE...





...BUT NOT EVERYONE HAS  
**EXPERIENCED THE JOY**  
OF USING A MISCEA



# THE MISCEA CONCEPT

miscea offers unique faucet systems that has revolutionized the way people wash and disinfect their hands. It's the first sensor faucet system of its kind in the world, capable of dispensing water and liquid hand hygiene products from the same faucet. The use of sensors and lights make miscea systems intuitive and easy to use:

1. Moving a hand close to the sensors around the glass display, the selected function is activated.
2. A coloured LED light confirms the function selected.
3. Moving a hand under the water and dispenser outlets will activate the pumps and dispense the selected liquid.

By combining the functions of a faucet with liquid dispensers, the miscea concept has made proper hand washing fast, easy and efficient to perform. Thanks to a unique mix of sophisticated sensor technology, smart engineering and elegant design, hand hygiene simply cannot be performed more comfortably and hygienically than with a miscea system.

The miscea concept was first conceived in 1999, when two engineers shared a vision to simplify the hand washing process and improve the adoption of good hand hygiene into everyday life. They envisioned a "3-in-1" system that combined everything needed for the hand washing process into a single touch free faucet. This vision was successfully realised with the first miscea sensor faucet system. Fittingly, the name miscea was chosen because in Latin the word "misceo", means "to mix" or "to combine".

More than a decade later, miscea now offers an entire range of completely touch free faucet systems designed for use in different settings where hand hygiene is paramount. This can be in operating theatres of leading hospitals and medical centres, research facilities or laboratories, modern lavatories, bathrooms and private kitchens. With miscea systems, good hand hygiene habits can be effortlessly adopted into daily work processes and personal routines.



**Water**



Soap



Disinfect



Warm water



Cold water

# EXPERIENCE TECHNOLOGY

## THE MISCEA SYSTEM

Every miscea sensor faucet system consists of a combination of these three components:

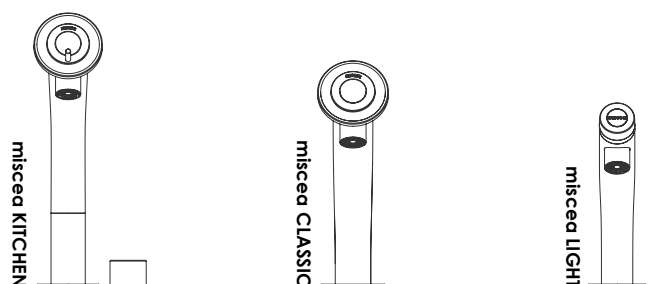
1. miscea sensor faucet
2. miscea waterbox
3. miscea soapbox



## 1. THE MISCEA FAUCET

miscea faucets are the main components in every miscea system. They have the latest sensor technology for fast, accurate response to hand gestures. What makes miscea faucets unique is the integrated dispensers and its easy to use interface.

There are 3 faucet models; miscea CLASSIC, miscea LIGHT and miscea KITCHEN. Each model has been designed to meet the specific needs of different user groups. Therefore each model has different functionalities to suit different application areas.





**2. THE MISCEA WATERBOX**

The miscea waterbox controls the valve that turns the water on and off as well as adjust the water temperature. It contains advanced electronics and is not dependent on batteries.

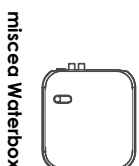
This component is only required with the miscea CLASSIC and miscea KITCHEN models.



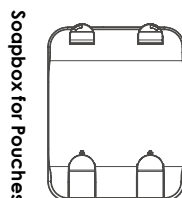
**3. THE MISCEA SOAPBOX**

miscea systems with integrated dispensers include a special component to hold a variety of different liquids such as soap, disinfectant, or other liquid products. This is referred to as the soapbox and is available in two different versions.

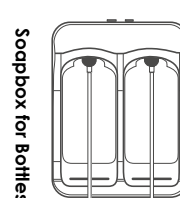
One version is for use with miscea pouches and the other version is for use with industry standard 1 L Euro bottles. Both versions allow for fast and easy replacement of liquid products.



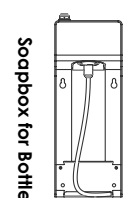
Miscea Waterbox



Soapbox for Pouches



Soapbox for Bottles



Soapbox for Bottle

**EXPERIENCE  
QUALITY  
MADE IN GERMANY**



**ENJOY  
AWARD WINNING  
DESIGN**



# SO, WHY USE

**REDUCE  
COSTS**



**ACHIEVE  
SUSTAINABLE HYGIENE**





ACHIEVE  
**OPTIMAL  
HAND HYGIENE**



CREATE  
**SAFE AND STYLISH  
SPACES**

# MISCEA?



EXPERIENCE  
**JOY IN EASY OPERATION**



ENSURE  
**WATER QUALITY**

# ACHIEVE OPTIMAL HAND HYGIENE

## HAND HYGIENE GUIDELINES IN HEALTHCARE SETTINGS

The World Health Organization (WHO), the Robert Koch Institute (RKI) in Germany, the Dutch Working Group on Infection Prevention (WIP), and many other leading healthcare organisations around the world, have specific guidelines for hand hygiene in healthcare settings. They all recommend using faucets and dispensers without hand contact as the optimal standard for the prevention of infections.

With manually operated faucets and dispensers, bacteria is easily transferred from person to person through hand contact with contaminated surfaces. For this reason, the risk of cross contamination when using conventional products is significantly higher than when using sensor-controlled solutions.

## WHO GUIDELINES FOR OPTIMAL HAND HYGIENE

According to the WHO - Guidelines on Hand Hygiene in Healthcare, hand washing stations in healthcare settings should have a reliable supply of hand hygiene products and be adequately equipped with the following:

- **Faucets (including water temperature adjustments) that can be operated without the need to touch the faucet.**
- **Dispensers (soap and disinfectant) that can be operated without hands coming into contact with the dispenser itself.**

These guidelines are intended to protect patients and staff from the transmission of infectious diseases.









### MISCEA HAS DEVELOPED THE PERFECT SOLUTION

To meet these requirements set out by the WHO and other leading healthcare organisations, water faucets and dispensers with an extended lever can be used. However operating these types of faucets and dispensers with the forearm, is uncomfortable - especially if they are mounted in hard to reach places. In addition, long lever faucets are uneconomical, since significantly more water is consumed than self closing faucets if the user leaves the water running while hand washing.

Conventional sensor faucets and knee / foot activated faucets are usually unsuitable since these devices don't allow for accurate water temperature adjustments. If water temperature adjustment is available, it can usually only be realised with direct hand contact. This is of course not ideal due to the potential risk of cross contamination.

A miscea sensor faucet system replaces the need for the following separate products:

1. Long lever faucet for changing the water temperature
2. Foot switch that must be installed
3. Solenoid valves for hot and cold water
4. Touch free soap dispenser
5. Touch free disinfectant dispenser

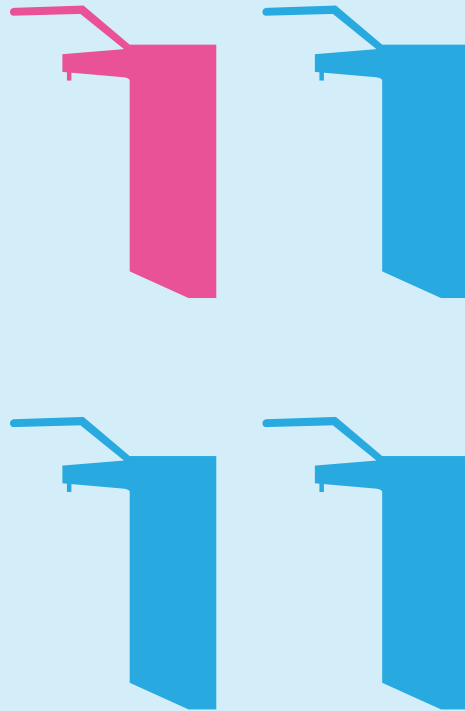


### MISCEA SYSTEMS MEAN CONFIDENCE AND SECURITY

From getting water, soap and disinfectant to changing the water temperature, miscea systems are operated completely touch free thanks to state of the art sensor technology. The lack of contact with the faucet itself, reduces the risk of cross contamination before and after hand washing. This ensures the highest hygiene standards can be consistently met.

miscea is the only company in the world offering an all-in-one, completely touch free solution that satisfies hand hygiene guidelines in healthcare settings recommended by world leading healthcare organizations.

**1 in 4 refillable bulk soap dispenser is contaminated with illness causing bacteria.**



Contaminated liquid soap can actually increase the number of bacteria on your hands after washing. Once a dispenser is contaminated, it becomes very difficult to clean as the bacteria will simply regrow.

miscea systems use peristaltic pumps to ensure reliable and accurate dispensing of the liquid products. This particular type of pump has no seals or valves that can clog, which means they are the most hygienic pumps available.

**According to the WHO: "Dispensers should have a disposable reservoir and should not be refilled."**

Although the pumps used in miscea systems are very hygienic, it is still recommended the dispensers be thoroughly cleaned and disinfected before each liquid product change. This step ensures liquid products remain effective and uncontaminated when placed into dispensers.

For this reason, miscea TubeCleanse (p. 53) was developed to clean and disinfect the internal dispenser components of miscea systems. This solution is pumped through the dispenser tubes before placing a new liquid product into the soapbox.

Source: Zapka, Carrie A., Campbell, Esther. J., Maxwell, Sheri L., et al. : "BACTERIAL HAND CONTAMINATION AND TRANSFER AFTER USE OF CONTAMINATED BULK-SOAP-REFILLABLE DISPENSERS" In: AEM. <http://aem.asm.org/content/77/9/2898.full> (visited on 02.12.2017)

# CREATE SAFE AND STYLISH SPACES

## **NO NEED FOR SEPARATE DISPENSERS**

Whether in a surgery setting, medical office or public wash room, the surfaces around the faucet and washbasin area should be kept as clean and clutter free as possible. miscea's sensor faucet systems with integrated dispensers are practical and eliminates the need for a multitude of dispensers hanging on the walls or placed on surrounding surfaces near the wash basin.

Instead, the components of the miscea system can be hidden away from view in a cabinet or under the sink. It's compact design requires very little space. This leaves visitors with a clean and tidy impression of the facilities while the completely touch free operation reduces the risk of cross-contamination.

## **NO DRIPPING, MINIMAL CLEANING EFFORTS AND IMPROVED SAFETY**

Studies have shown that unhygienic and unappealing wash rooms discourage hand washing and drive users away. Dirty washbasins, empty soap dispensers or puddles on counter tops are just some of the things that can negatively impact hand hygiene behaviour and user experience.

miscea systems ensure liquid products end up directly in the sink, keeping surrounding surfaces cleaner for longer. Cleaner spaces mean improved safety for everyone. As a result, the cleaning effort is minimized, which leaves more time for the important things.





# EXPERIENCE JOY IN EASY OPERATION

## ERGONOMIC AND EASY TO USE

On average, a healthcare worker washes their hands 70 times a day. Needless to say, an ergonomic product design is indispensable. Faucets and dispensers with long levers are uncomfortable to operate with the forearm and they don't allow for accurate water temperature adjustments.

The intuitive miscea user interface on the other hand, is extremely comfortable to use. All functions can be activated completely touch free by moving a hand to the desired sector around the glass display. Unnatural movements of the arm is therefore avoided and the overall efficiency and work flow is improved.



## FAST AND RELIABLE SENSOR TECHNOLOGY

Equipped with state-of-the-art sensor technology, miscea systems are the most reliable and responsive sensor faucets on the market. Unlike other faucets, miscea systems respond promptly and accurately for a stress-free and enjoyable experience with every use.

## SAFE STARTING WATER TEMPERATURE

The pre-set starting water temperature of miscea sensor faucet systems help to prevent scalding accidents. Even if the water temperature is changed during use, the system will immediately revert to the predefined starting water temperature upon the next use.



#### **OPTIMIZE PERFORMANCE OF MISCEA SYSTEMS WITH THE REMOTE CONTROL**

Many of the functions of miscea sensor faucet systems can be individually adjusted with the miscea remote control. The amount of soap and disinfectant dispensed can be adjusted according to the different requirements of each facility. As a result, the consumption and costs for liquid products can be reduced.

Other functions such as the starting water temperature, the duration of the water flow, the automatic water spool cycles, and the light mode of the glass ring can all be adjusted individually.

An overview of all the functions which can be adjusted with the remote control can be found on page 55.

#### **EASY INSTALLATION WITHOUT SPECIAL TOOLS**

miscea sensor faucet systems are delivered with all the necessary fixings and fasteners for installation so no additional items need to be purchased. By adhering to standardized industry measurements, miscea sensor faucet systems can be installed promptly without the need for special tools or preparation.

Installation and set up of miscea sensor faucet systems is designed to be fast and simple so it can be used immediately.

# ENSURE WATER QUALITY

## 100% INDEPENDENTLY CERTIFIED

The technology in sensor faucets can be quite complex and it's no surprise that the inner workings of a sensor faucet will generally consist of more internal parts than in a conventional hand operated faucet. Many of these internal parts come in contact with water and can therefore become breeding grounds for water borne pathogens. This is of course very dangerous and can even be life threatening to members of the community with compromised immune systems.

Most sensor faucets from other manufacturers (faucets with an electronic opening and closing valve) do not use the latest technologies. Often, inferior materials are used as economic interests are given priority over quality and safety.

This is not the case at miscea. As a sensor faucet manufacturer, we have a special responsibility towards everyone who uses our products and the wider community. By only selecting materials that have been certified and proven to be safe when in contact with drinking water, we ensure the water quality remains unchanged. The materials selected by miscea do not release harmful substances into the water and how miscea systems are engineered helps prevent bacterial growth inside the system.

To help users more easily identify this, miscea has gained WRAS product approval for all miscea sensor faucet systems. This means decision makers and users alike can have the confidence and peace of mind they are selecting high quality and safe products from a brand they can trust.









## INNOVATION AND HYGIENE - MISCEAS LEITMOTIV

miscea GmbH develops and produces according to the latest guidelines and technical standards. The materials used and compliance with the legal requirements are of utmost importance to the company. Having the right certifications and approvals such as WRAS, enable miscea systems to be safely connected to any mains water supply.

miscea's multifunctional sensor faucet product family is designed and manufactured in accordance with EU directives (93/68 / EEC, 98/83 / EC, 2006/95 / EC, 89/336 / EEC). The directive EN 15091 is the recognised technical test standard for electronic opening and closing sanitary tap ware.

miscea sensor faucet systems were certified according to WRAS product approval guidelines in the UK. All miscea systems proudly carry the WRAS product approval mark.

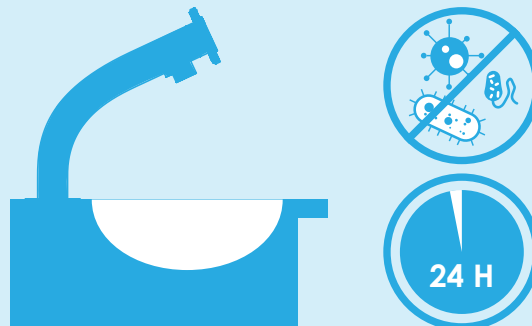
It demonstrates miscea systems comply with European standards and provides indisputable proof the systems meet the required quality and performance criteria with regards to mechanical, electronic and hygienic safety.

As part of the certification process, miscea systems also demonstrated compliance with the requirements of the Federal Environment Agency (UBA) in Germany regarding materials and substances that come into contact with drinking water. In addition, all miscea faucet systems have been tested and certified in accordance with EN 1717 "Protection against contamination of potable water in water installations through back flow".

Architects, specifiers, installers and end users can therefore, be assured that miscea systems are deemed to have one of the highest quality standards currently available on the market. Where ever hygiene is of paramount concern, miscea offers high performance, high quality and very hygienic sensor faucet solutions.



**miscea faucets can help prevent the growth of bacteria in stagnant water through automatic spool cycles.**



**AUTOMATIC SPOOL CYCLE FUNCTION**

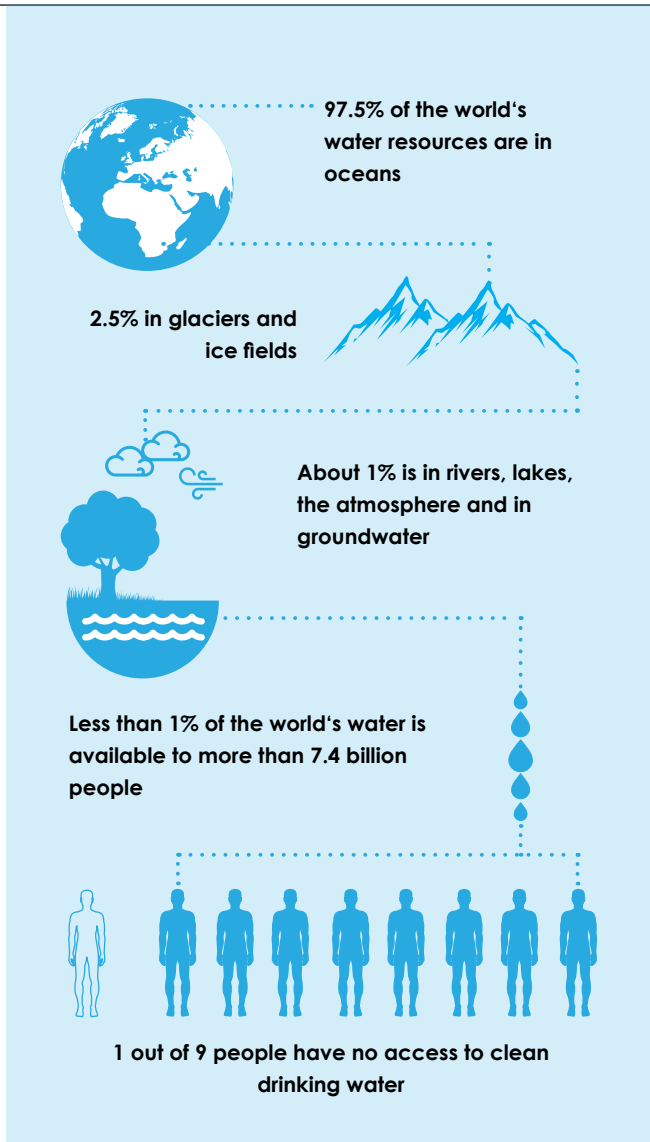
Manual flushing routines are unreliable, difficult to organise and is therefore cost and labour intensive. miscea sensor faucet systems have an inbuilt safety feature to protect against the growth of waterborne bacteria. If the system has not been used for 14 days, an automatic spool cycle will start. This helps to prevent the growth of bacteria inside the faucet usually associated with stagnant water.

Using the miscea remote control, these automatic spool cycles can be adjusted to meet the different water safety plan requirements of each facility. Equipped with such intelligent software, miscea sensor faucets can pro-actively guard against bacterial growth from water stagnation.

**ABOUT WRAS**

WRAS is the approval scheme for the UK water industry and products approved by the scheme undergo stringent and rigorous testing to show they comply with the Water Supply (water fittings) Regulation 1999 and Amendments. It means miscea products will not cause waste, undue consumption, misuse, or contamination to the water supply.





# ACHIEVE SUSTAINABLE HYGIENE

## THE CLEAN WATER CRISIS

Water scarcity is an abstract concept to many and a stark reality for others. Most of the water (97.5%) is in the ocean which means only 2.5% is freshwater. However, two-thirds of this is tied up as ice in glaciers and snow fields. This leaves less than 1% as freshwater in rivers, lakes, the atmosphere and in groundwater.

In essence, only 0.007 % of the planet's water is available to fuel and feed its 7.4 billion people. Wastage of potable water occurs in several ways with manually operated faucets. Typically, they are left running the entire time while performing simple tasks such as hand washing, shaving or cleaning.

Source: „FRESHWATER CRISIS“. In: *National Geographic*. <https://www.nationalgeographic.com/environment/freshwater/freshwater-crisis/> (Visited on 02.12.2017)



At miscea, we believe the key to sustainable water is to take technological advances and combine this with smart design innovations to develop sustainable products for more efficient water usage. This belief is reflected in our day-to-day operations and in the products we design and produce.

#### **SUSTAINABLE SOLUTIONS NOW AND IN THE FUTURE**

miscea sensor faucet systems are equipped with the latest sensor technology that allows them to regulate water usage by automatically switching the water on or off as needed.

Special aerators integrated into miscea faucets also help to reduce water usage by enriching the water with air, resulting in a luxurious stream of bubbly water that is soft to the touch and non-splashing.

#### **ENVIRONMENTALLY FRIENDLY LIQUID SOAP**

Nowadays, environmental protection plays an important role for a growing proportion of the global population. In this context, it has become clear that more people want to contribute to environmental protection through their personal consumption behaviour.

miscea Eco Soap carries the EU Ecolabel. This label guarantees miscea Eco Soap is compliant with stringent biodegradability requirements and has less impact on the aquatic ecosystems than regular liquid soaps.



# REDUCE COSTS

## LOWER OPERATING AND MAINTENANCE COSTS

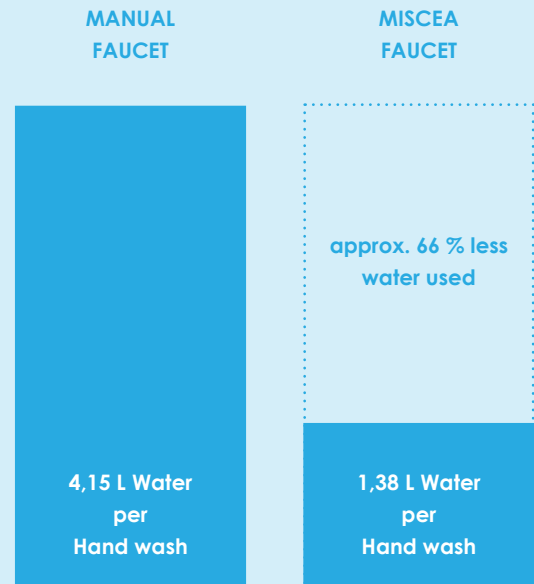
miscea systems enable good hand hygiene in public spaces to be realised with low operating and maintenance costs. Here are just a few of the reasons how miscea systems can accomplish this:

- **High quality parts and components ensure minimum care and maintenance is required.**
- **Using a power adapter instead of a battery-powered solution eliminates battery charging times and unreliable or interrupted power supply.**
- **The default settings are programmed so that exactly 1 ml of soap is used per hand wash, which allows miscea systems 1000 applications per 1 L of soap.**



**POTENTIAL WATER SAVINGS**

With sensor controlled faucets from miscea, water savings of 60 - 70% can be realized. Using less water also means significantly reducing associated costs such as water heating or waste water costs.



The average duration of a hand wash is 30 seconds. A manual faucet consumes 4.15 L of water in this case. A miscea faucet, on the other hand, requires only 1.38 L, since no water flows while hands are being lathered with soap and scrubbed.

COST PER UNIT PER YEAR	ALT.	MISCEA
<b>*Soap costs</b> Amount of soap used x No. users per day x No. working days / 1000 x Soap price.	€ 832,00	€ 416,00
<b>**Cleaning and maintenance</b> (Cleaning time / 60 ) x 52 Weeks x the statutory minimum wage of € 8.84 gross per hour (as of 2017).	€ 114,92	€ 38,30
<b>Electricity costs</b> Power consumption in stand by mode is 1 W/hr. According to Eurostat, the average electricity price for industrial customers in Germany in 2017 is 17.12 cents / kWh.	-	€ 1,49
<b>***Water costs</b> Water usage per visitor x No. of visitors per day x No. of working days a year / 1000 x ave. hot water price incl. additional costs.	€ 1.193,00	€ 398,00
<b>TOTAL VARIABLE COSTS</b>	<b>€ 2.139,92</b>	<b>€ 853,79</b>

On the left is an example of the possible operating costs for a miscea system compared with an alternative solution of a manual faucet and separate soap dispenser combination.

The calculation is based on 200 uses per day, 260 working days a year and a hand washing time of 30 seconds. The aerator has a flow rate of 8.3 L / min.

**\*SOAP COSTS:**

Alternative: 2 ml (On ave. 2 doses of 1 ml is used per hand wash)  
 miscea: 1 ml  
 Soap price: 8 Euro per 1 L

**\*\*CLEANING AND MAINTENANCE COSTS:**

Cleaning duration for Alternative: 15 min per Week  
 Cleaning duration for miscea: 5 min per Week

**\*\*\*WATER COSTS:**

Cold water price: 1.69 Euro / m<sup>3</sup> (Drinking water-Tariff 2017 Berlin Water Utility)  
 Warm water price: 4.77 Euro / m<sup>3</sup> (ave. Warm water price up 40 degrees)  
 Waste water price: 2.30 Euro / m<sup>3</sup> (Waste water-Tariff 2017 Berlin Water Utility)  
 Duration of time water outlet is open for Alternative: approx. 30 seconds  
 Duration of time water outlet is open for miscea System: approx. 10 seconds

# ENJOY AWARD WINNING DESIGN

## REINVENTING THE FAUCET

miscea' design philosophy is based on, for the most part, German early modernist tradition started by Ludwig Mies Van Der Rohe and the likes of the Bauhaus movement in the early 20th century. Our products are characterized by functionalism and a minimalistic design.

From famous architecture in New York, to the very smart phones we use today, these principles have inspired countless world renowned designers to create outstanding and timeless designs throughout the 20th century and beyond.



Laying the foundation for elegant and intuitive products for many years to come, we strive to design extraordinary products by applying these basic principles of clarity and cleanliness founded by these influential designers. Our products create a stylish and modern atmosphere that improves the look and feel of the environment in which it is used.

As the proud winner of many international accolades such as the red dot design award and IF design award year after year, users can expect to enjoy smart functionalities combined with world class design.





product design award



reddot design award



A'DESIGN AWARD WINNER

#### IF DESIGN AWARD

Judged by renowned design experts from around the world, only the most outstanding product designs are recognized and rewarded. The iF label is recognized globally as the seal of design excellence and serves as a guide for quality products in international markets.

#### RED DOT DESIGN AWARD

As one of the most prestigious design competitions in the world and with more than 4000 entries from over 40 countries each year, the reddot design award is an internationally recognized quality label for excellent design. miscea was awarded with the reddot product design award in the category "best of the best" in 2009 for the miscea CLASSIC system.

#### GERMAN DESIGN AWARD

The German Design Award is bestowed annually for outstanding achievements in product and communication design by the German Design Council. Only products that are both pioneering and marketable are considered. miscea was nominated in 2014 for a German Design Award.

#### A'DESIGN AWARD

Winning the A' Design Award is a certificate of excellence for designers and a proof of quality for companies. It is the indicator of quality and perfection in design. The award is recognized worldwide and takes the attention of design oriented companies, professionals and interest groups. miscea won a gold and a silver award for the miscea KITCHEN and LIGHT respectively.

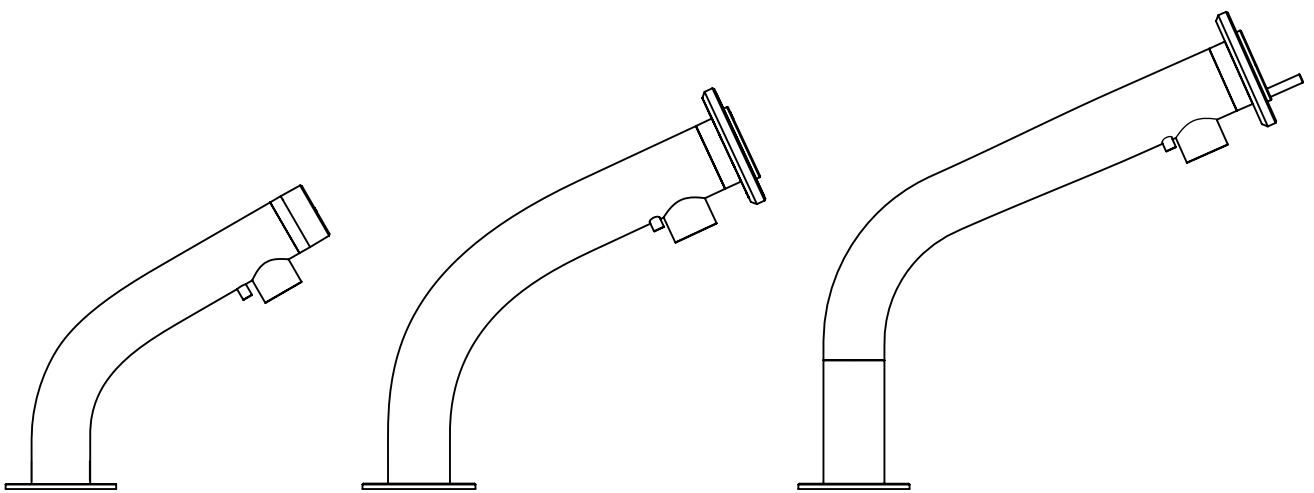
# EXPERIENCE QUALITY MADE IN GERMANY

## ENJOY HIGH QUALITY SENSOR FAUCET SYSTEMS

miscea systems are produced with world-renowned German quality standards. Users can expect meticulous design, excellent quality and passion for outstanding workmanship. By producing at our own facilities in Germany, we can ensure that the highest quality standards are met. Using high quality materials and components in miscea systems ensures consistently reliable performance and low maintenance - even in the most demanding of environments.







# MISCEA SENSOR FAUCET SYSTEMS

PRODUCT INFORMATION: MISCEA CLASSIC



# EXPERIENCE THE MISCEA CLASSIC “3-IN-1”-SYSTEM

## THE PROFESSIONAL CHOICE FOR OPTIMAL HAND HYGIENE

The miscea CLASSIC is the world's first sensor-controlled faucet system of its kind. Using advanced sensor technology, it is capable of dispensing water, soap and disinfectant. Even the water temperature can be adjusted completely touch free. It's the new and unique concept that has changed the way people wash and sanitize their hands.

The miscea CLASSIC system reduces the risk of cross-contamination for a more hygienic and germ-free environment. By combining the functions of a water faucet with two dispensers, the system has made hand washing more comfortable, convenient and efficient.

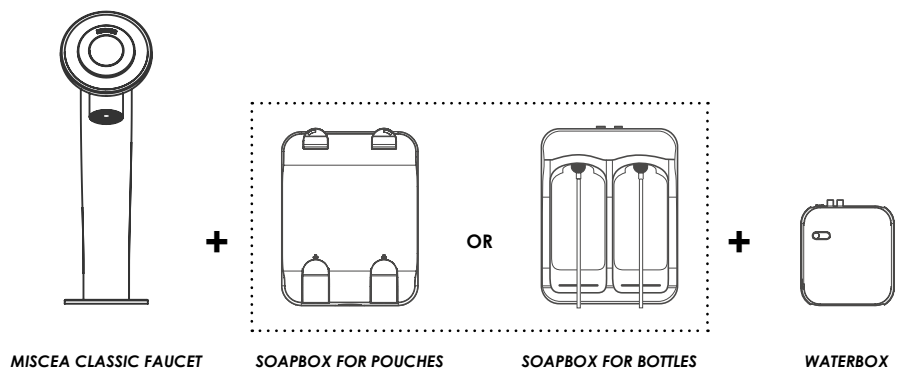
This system is especially suitable for hygiene-sensitive applications such as in medical environments, dental practices, laboratories or sterilisation rooms.

## SYSTEM COMPONENTS

The miscea CLASSIC system consists of the CLASSIC sensor faucet, the waterbox and the soapbox. There are two versions of the soapbox - one is for use with vacuum sealed pouches and one is for use with standardized 1 L Euro bottles.

## SPECIAL FUNCTIONS ACTIVATED WITH MISCEA REMOTE CONTROL

- + Hand disinfect timer
- + Hand wash timer
- + Automatic Water Flush Cycles
- + Automatic Flush at Power On
- + Cleaning mode



# PRODUCT INFORMATION: MISCEA CLASSIC



## DESCRIPTION

Sensor faucet with integrated soap and disinfectant dispensers and touch free water temperature controls.

## FEATURES

- Electronic faucet with 2 selectable liquid options
- Faucet user interface made of high quality laser engraved glass
- Clear display for water temperature feedback
- Touch free water temperature controls
- Automatic flushing for prevention of water-borne bacteria. Cycles completely adjustable with the miscea remote control (sold separately)

## INCLUDED

- miscea **CLASSIC** Faucet
- Waterbox
- Soapbox
- 2 x 1 L miscea Liquids
- Stainless steel braided hoses for hot and cold water connections (850 mm)
- Power plug (Cable length 1800 mm)
- 1 x Installation kit
- 1 x Instruction manual

## FINISH OPTIONS:



Stainless steel



Polished chrome

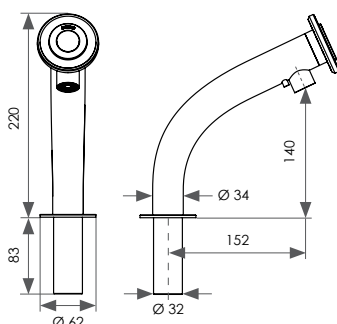
## SPECIFICATIONS

Voltage	24 V <sub>DC</sub>
Input voltage	100 ~ 240 V <sub>AC</sub> / 50 - 60 Hz
Operating pressure	0,5 - 8 bar
Max. water temp	70 °C
IP rating of PCB	IP 55

## CERTIFICATE:

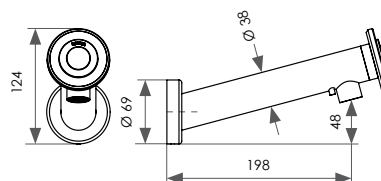


All measurements are in mm.



MODEL:

**CLASSIC Standard**



**CLASSIC Wall**



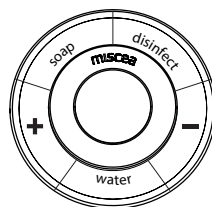
# PRODUCT INFORMATION: MISCEA CLASSIC

FINISH OPTIONS	MODEL		SOAPBOX TYPE		DISPLAY			PRICE £	ART. NR.
	Standard	Wall	Pouch	Bottle	DE	EN	FR		
Stainless Steel	✓		✓		✓			1.195,00	CER1S1NCDE
	✓		✓			✓		1.195,00	CER1S1NCEN
	✓		✓				✓	1.195,00	CER1S1NCFR
	✓			✓	✓			1.295,00	CER1S2NCDE
	✓			✓		✓		1.295,00	CER1S2NCEN
	✓			✓			✓	1.295,00	CER1S2NCFR
		✓	✓	✓	✓			1.195,00	CER3S1NCDE
		✓	✓	✓		✓		1.195,00	CER3S1NCEN
		✓	✓	✓			✓	1.195,00	CER3S1NCFR
		✓			✓	✓		1.295,00	CER3S2NCDE
	✓			✓		✓	1.295,00	CER3S2NCEN	
	✓			✓		✓	1.295,00	CER3S2NCFR	
Polished chrome	✓		✓		✓			1.195,00	CCR1S1NCDE
	✓		✓			✓		1.195,00	CCR1S1NCEN
	✓		✓				✓	1.195,00	CCR1S1NCFR
	✓			✓	✓			1.295,00	CCR1S2NCDE
	✓			✓		✓		1.295,00	CCR1S2NCEN
	✓			✓			✓	1.295,00	CCR1S2NCFR
		✓	✓	✓	✓			1.195,00	CCR3S1NCDE
		✓	✓	✓		✓		1.195,00	CCR3S1NCEN
		✓	✓	✓			✓	1.195,00	CCR3S1NCFR
		✓			✓	✓		1.295,00	CCR3S2NCDE
		✓			✓		✓	1.295,00	CCR3S2NCEN
		✓			✓		✓	1.295,00	CCR3S2NCFR

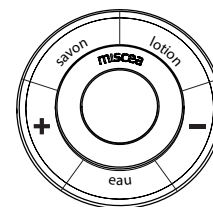
Prices are exclusive of VAT, and shipping costs



GERMAN (DE)

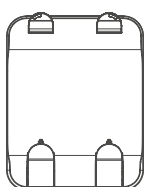


ENGLISH (EN)

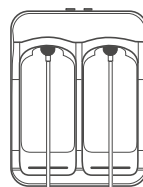


FRENCH (FR)

DISPLAY:



FOR POUCHES



FOR BOTTLES

SOAPBOX TYPE:

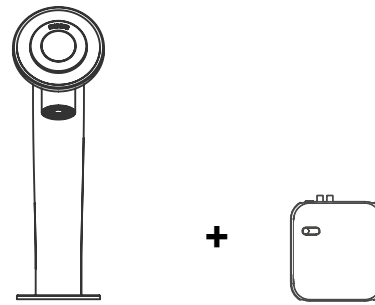
PRODUCT INFORMATION: **MISCEA CLASSIC PURE**



# EXPERIENCE THE MISCEA CLASSIC PURE SYSTEM

## MISCEA CLASSIC PURE W: WATER + WATER TEMPERATURE CONTROL

The miscea CLASSIC pure W system enables completely touch free operation of the water sector and water temperature adjustments. This faucet model allows users to manually turn the water on and off by activating and deactivating the top sector as they please. Alternatively, this faucet model can also be used as an automatic sensor faucet if the bottom sector is activated. The components for this system consists of the miscea CLASSIC pure W faucet and a waterbox.

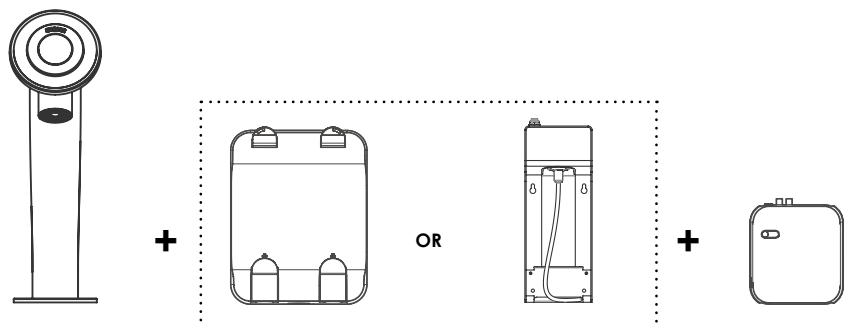


MISCEA CLASSIC PURE W FAUCET

WATERBOX

## MISCEA CLASSIC PURE S: WATER + WATER TEMPERATURE CONTROL + SOAP

The miscea CLASSIC pure S system is essentially an automatic sensor faucet that also has an integrated soap dispenser. It consists of the miscea CLASSIC pure S sensor faucet, a soapbox and a waterbox. This system can be used with vacuum sealed pouches or with standardized 1 L Euro bottle.



MISCEA CLASSIC PURE S FAUCET

SOAPBOX FOR POUCHES

SOAPBOX FOR BOTTLE

WATERBOX

# PRODUCT INFORMATION: MISCEA CLASSIC PURE



## DESCRIPTION

Sensor faucet with touch free water temperature controls.

Available versions include:

- CLASSIC pure W - water only
- CLASSIC pure S - incl. integrated soap dispenser

## FEATURES

- Electronic water faucet
- Faucet user interface made of high quality laser engraved glass
- Clear display for water temperature feedback
- Touch free water temperature controls
- Automatic flushing for prevention of water-borne bacteria. Cycles completely adjustable with the miscea remote control (sold separately)

## INCLUDED

- miscea **CLASSIC** pure W or S faucet
- Waterbox
- Soapbox (only for version CLASSIC pure S)
- 2 x 1 L miscea Liquids
- Stainless steel braided hoses for hot and cold water connections (850 mm)
- Power plug (Cable length 1800 mm)
- 1 x Installation kit, 1 x Instruction manual

## FINISH OPTIONS:



Stainless steel



Polished chrome

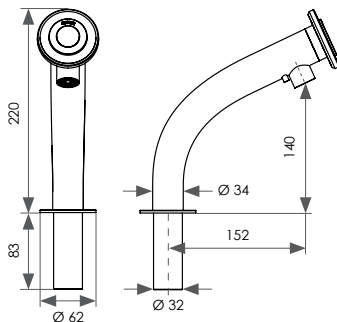
## SPECIFICATIONS

Voltage	24 V <sub>DC</sub>
Input voltage	100 ~ 240 V <sub>AC</sub> / 50 - 60 Hz
Operating pressure	0,5 - 8 bar
Max. water temp	70 °C
IP rating of PCB	IP 55

## CERTIFICATE:

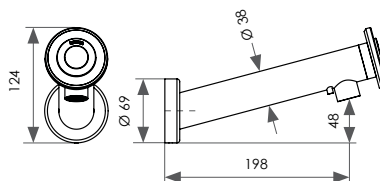


All measurements are in mm





MODEL:

**CLASSIC Standard**

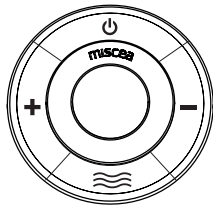


**CLASSIC Wall**

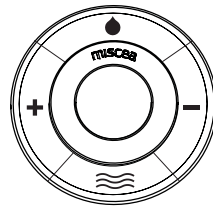
# PRODUCT INFORMATION: MISCEA CLASSIC PURE

FINISH OPTIONS	MODEL		SOAPBOX TYPE			PRICE £	ART. NR.
	Standard	Wall	None	Pouches	Bottle		
 Stainless Steel	✓		✓			895.00	CER1NC
	✓			✓		995.00	CER1S1NC
	✓				✓	1.045.00	CER1S2NC
		✓	✓			895.00	CER3NC
		✓			✓	995.00	CER3S1NC
		✓				1.045.00	CER3S2NC
 Polished Chrome	✓		✓			895.00	CCR1NC
	✓			✓		995.00	CCR1S1NC
	✓				✓	1.045.00	CCR1S2NC
		✓	✓			895.00	CCR3NC
		✓			✓	995.00	CCR3S1NC
		✓				1.045.00	CCR3S2NC

Prices are exclusive of VAT, and shipping costs

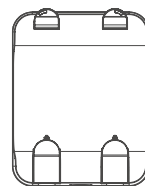


CLASSIC PURE W - WATER ONLY

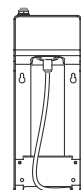


CLASSIC PURE S - WATER AND SOAP

DISPLAY:



FOR POUCH



FOR BOTTLES

SOAPBOX TYPE:



EXPERIENCE THE  
**EXCEPTIONAL**  
**MISCEA KITCHEN**  
**SYSTEM**

**THE PERFECT AND HYGIENIC SOLUTION**

miscea KITCHEN is a water faucet with two integrated dispensers for soap and disinfectant. The functional sectors for water, soap, disinfectant and adjustment of water temperature on the user interface can all be activated and de-activated completely touch free. A unique feature of the miscea KITCHEN system is that water can be turned on and off by activating and de-activating the water sector on the glass user interface. As a result, the user can control how long the water flows depending on the task at hand.

This system is especially suitable for hygiene sensitive areas such as treatment rooms or sterilisation rooms in dental practices, hospitals, laboratories and other similar locations.

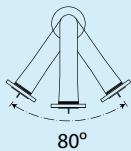
The following are just some of the unique features that make the miscea KITCHEN system the perfect solution for hygiene sensitive applications:

**SWIVEL SPOUT WITH ROTATION ANGLE OF 80° OR 120°**

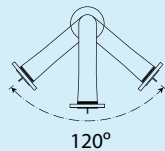
The added feature of a swivel spout on the miscea KITCHEN faucet means it can be used over wide or double wash basins so dispensing of liquid products is not fixed to one spot. It gives users more freedom to move the faucet so it can be accessed from different angles.

This swivel spout feature is unique to the miscea KITCHEN model within the miscea range of sensor faucet systems.

80° rotation angle



120° rotation angle



**COMPATIBLE WITH VACUUM POUCHES AND BOTTLES**

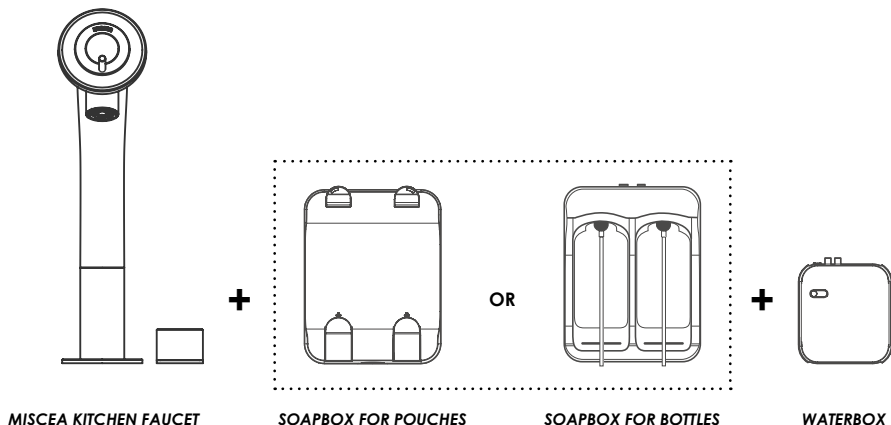
The miscea KITCHEN is compatible with liquid products in miscea vacuum sealed pouches or with standardized 1 L Euro bottles.

**OPTIMAL HYGIENE AND CLEANLINESS**

One of the unique advantages with all miscea systems is that liquid products are dispensed over the wash basin. This means unhygienic or damaged work surfaces caused by dripping or splashing from conventional wall dispensers are no longer an issue.

**SYSTEM COMPONENTS**

The miscea KITCHEN system consists of the KITCHEN sensor faucet, the waterbox and the soapbox. This system can be used with vacuum sealed pouches or with standardized 1 L Euro bottles. A hand operated water flow regulator is optionally available for adjusting the amount of water flow.



# PRODUCT INFORMATION: MISCEA KITCHEN



## DESCRIPTION

Sensor faucet with integrated soap and disinfectant dispensers and touch free water temperature controls.

## FEATURES

- Electronic faucet with 2 selectable liquid options
- Faucet user interface made of high quality laser engraved glass
- Clear display for water temperature feedback
- Touch free water temperature controls
- Automatic flushing for prevention of water-borne bacteria. Cycles completely adjustable with the miscea remote control (sold separately)
- Optional water flow regulator to increase / decrease the water flow

## INCLUDED

- miscea **KITCHEN** Faucet
- Waterbox
- Soapbox
- 2 x 1 L miscea Liquids
- Stainless steel braided hoses for hot and cold water connections (Length 850 mm)
- Power plug (Cable length 1800 mm)
- 1 x Installation kit
- 1 x Instruction manual

## SPECIFICATIONS

Voltage	24 V <sub>DC</sub>
Input voltage	100 ~ 240 V <sub>AC</sub> / 50 - 60 Hz
Operating pressure	0,5 - 8 bar
Max. water temp	70 °C
IP rating of PCB	IP 55

## FINISH OPTIONS:



Stainless Steel

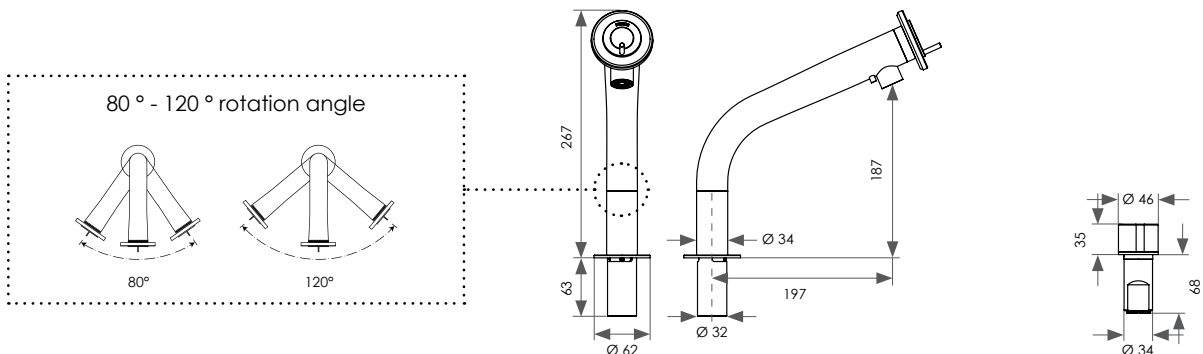


Polished Chrome

## CERTIFICATES:



All measurements are in mm



## MODEL / ACCESSORIES:

**Standard**

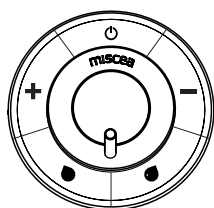
**Water flow regulator**



# PRODUCT INFORMATION: MISCEA KITCHEN

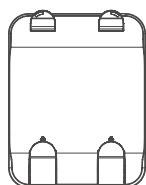
FINISH OPTIONS	MODEL	SOAPBOX TYPE		ACCESSORIES	PRICE	ART. NR.
		Pouch	Bottle			
	Standard			Water flow regulator	£	
Polished chrome	✓	✓		✓	1.395,00	KCR4S1NC
	✓		✓	✓	1.495,00	KCR4S2NC
	✓	✓			1.295,00	KCR4S1NC0
	✓		✓		1.395,00	KCR4S2NC0
Stainless Steel	✓	✓		✓	1.395,00	KER4S1NC
	✓		✓	✓	1.495,00	KER4S2NC
	✓	✓			1.295,00	KER4S1NC0
	✓		✓		1.395,00	KER4S2NC0

Prices are exclusive of VAT, and shipping costs



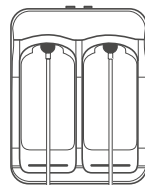
DISPLAY:

SYMBOLS



SOAPBOX TYPE:

FOR POUCHES



FOR BOTTLES

PRODUCT INFORMATION: MISCEA LIGHT



# EXPERIENCE THE MISCEA LIGHT “2-IN-1”-SYSTEM

## IMPROVE AMBIENCE AND HAND WASHING EXPERIENCE IN GUEST WASH-ROOMS

The miscea LIGHT system has a 2 L soap dispenser built directly into the faucet for convenience and comfort. With fast and reliable sensor activation, the miscea LIGHT dispenses soap and water with precision and makes hand washing a hygienic and enjoyable experience.

Where high standards of cleanliness and hygiene are expected, the miscea LIGHT is the most cost-effective, touch free faucet and dispenser system to fulfil even the most demanding requirements. The system is best suited to environments where changing the water temperature is not required.

## SYSTEM COMPONENTS

The miscea LIGHT system is available in two versions.

### 1. MISCEA LIGHT SENSOR FAUCET WITH INTEGRATED SOAP DISPENSER

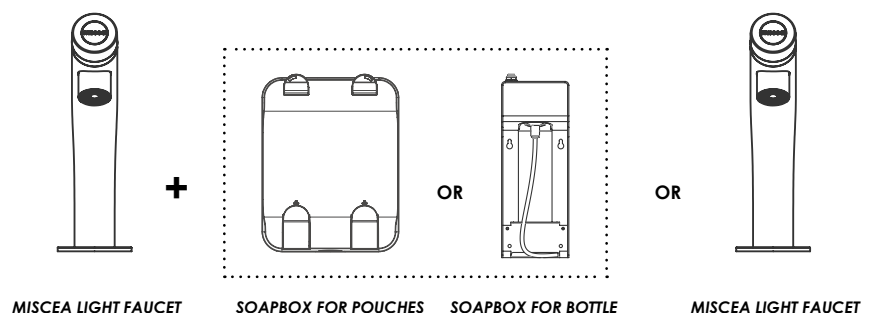
This miscea LIGHT model consists of the LIGHT sensor faucet and soapbox for use with pouches or with bottle.

#### + Special Public Mode Program for Public Spaces

To help improve hand hygiene habits in shared public bathrooms, the public mode can be activated to ensure everyone using the faucet is first automatically given soap then water to properly wash hands.

### 2. MISCEA LIGHT SENSOR FAUCET WITHOUT INTEGRATED SOAP DISPENSER

This miscea LIGHT model consists only of the LIGHT sensor faucet.



# PRODUCT INFORMATION: MISCEA LIGHT



## DESCRIPTION

Sensor faucet available with and without integrated soap dispenser.

## FEATURES

- Electronic faucet
- User interface made of robust Makrolon polycarbonate
- Automatic flushing for prevention of water-borne bacteria. Cycles completely adjustable with the miscea remote control (sold separately)
- Electronics and solenoid valve integrated into faucet

## INCLUDED

- miscea **LIGHT** Faucet
- Soapbox (included only for version with integrated soap dispenser)
- 2 x 1 L miscea Liquids
- Stainless steel braided hose for the water connection (850 mm)
- Power plug (Cable length 1800 mm)
- 1 x Installation kit
- 1 x Instruction manual

## FINISH OPTIONS:



Stainless steel



Polished chrome

Please contact miscea GmbH for the following surface finishes options:

- Matte Black
- Matte White
- Gun Metal
- Polished Gold
- Antique Gold
- Antique Copper

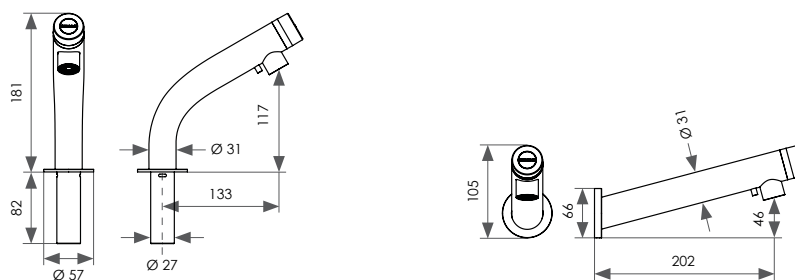
## SPECIFICATIONS

Voltage	12 V <sub>DC</sub>
Input voltage	100 ~ 240 V <sub>AC</sub> / 50 - 60 Hz
Operating pressure	0,5 - 8 bar
Max. Water temp	70 °C
IP rating of PCB	IP 55

## CERTIFICATES:



All measurements are in mm



## MODEL:

**LIGHT Standard**

**LIGHT Wall**

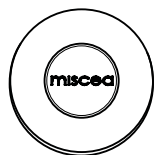
# PRODUCT INFORMATION: MISCEA LIGHT

FINISH OPTIONS	MODEL		SOAPBOX TYPE			DISPLAY		PRICE	ART. NR.
	Standard	Wall	Excl. Soapbox	Pouch	Bottle	DE	EN	£	
Stainless Steel	✓		✓					545,00	LER1S0NC
	✓			✓		✓		745,00	LER1S11NCDE
	✓			✓			✓	745,00	LER1S11NCEN
	✓				✓	✓		795,00	LER1S21NCDE
	✓				✓	✓		795,00	LER1S21NCEN
Polished Chrome	✓		✓					545,00	LCR1S0NC
	✓			✓		✓		745,00	LCR1S11NCDE
	✓			✓			✓	745,00	LCR1S11NCEN
	✓				✓	✓		795,00	LCR1S21NCDE
	✓				✓	✓		795,00	LCR1S21NCEN
		✓	✓					545,00	LCR3S0NC
		✓		✓		✓		745,00	LCR3S11NCDE
		✓		✓			✓	745,00	LCR3S11NCEN
	✓			✓	✓		795,00	LCR3S21NCDE	
	✓			✓	✓		795,00	LCR3S21NCEN	

Please enquire with miscea GmbH for prices of the following special surface finishes.



Prices are exclusive of VAT, and shipping costs



DISPLAY:

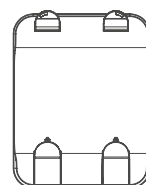
NO DISPLAY



GERMAN (DE)

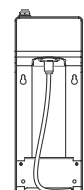


ENGLISH (EN)

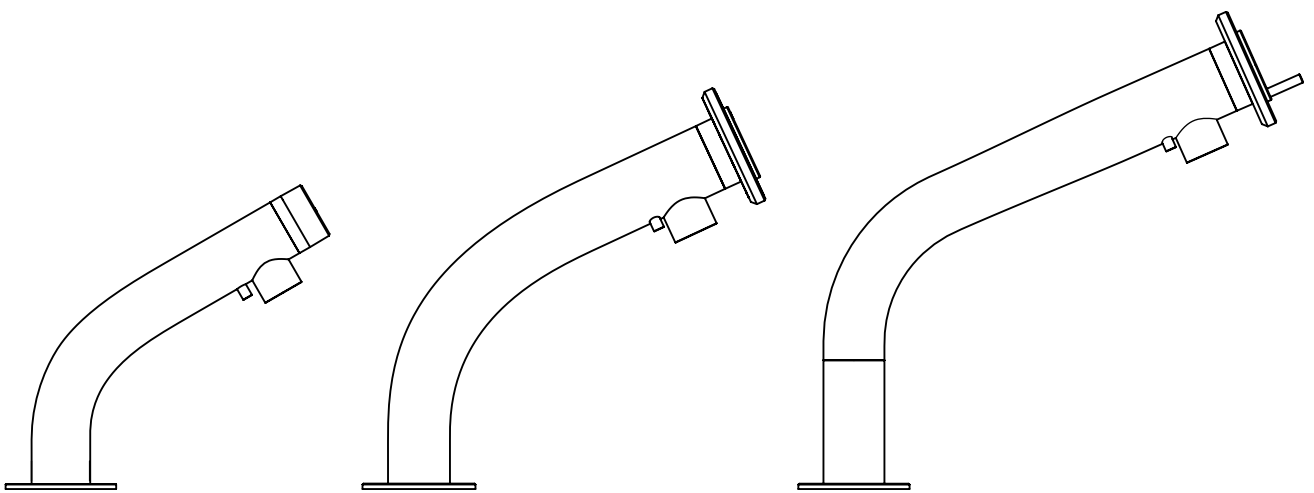


SOAPBOX TYPE:

FOR POUCHES



FOR BOTTLE



# DRINKING WATER & HYGIENE



#### **THE IMPORTANCE OF SAFE WATER IN HEALTHCARE SETTINGS**

The water systems within buildings are often contaminated with particulate matter and microorganisms such as Legionella, Pseudomonas, E. coli, Mycobacterium and Cryptosporidium. These contaminants in the water system of medical facilities and other places where healthcare is provided, can be detrimental to the health of immunocompromised patients.

A patient may not even need to have used a water outlet to become infected. Pseudomonas for example, can be found on healthcare professionals hands when washed with contaminated tap water. When healthcare workers wash their hands with contaminated tap water, the transmission can occur with simple patient contact.

Using an effective inline water filter at the point of use such as the miscea Coldstream Filter System as a part of a water safety strategy can help to reduce the risk of nosocomial infections in healthcare settings.

**Access to clean, safe drinking water is essential to public health.**





### WHAT IS BIOFILM?

Biofilm is a layer of slime that can host harmful bacteria, amoeba, algae and other micro-organisms. In the right conditions, biofilm can develop quickly within water distribution networks even if the water meets drinking water criteria.

Thick biofilm can form on the surfaces inside water pipes under low flow conditions. Biofilm particles can break off and colonize in other parts of the water network which then makes it extremely difficult to eradicate once a water system is contaminated with biofilm.

**Drinking water should not contain harmful micro-organisms, bacteria, cysts and viruses and it should be free from contamination of chemicals and heavy metals.**



### WHAT IS IN YOUR WATER?

The water we drink should contain balanced levels of essential minerals, such as calcium, magnesium and potassium. It has been shown that these reduce cardiovascular disease and have other health benefits.

The water that comes out of faucets is sourced from lakes, rivers or deep underground. It is then treated and purified with various chemicals in water plants, where it then travels in large pipes underground to cities and buildings.

Here the water then often runs through narrow pipes which may have corroded inner surfaces and dead ends where the water could stagnate and warm up. These conditions are ideal for biofilm formation where bacteria and other harmful micro-organisms can survive and multiply.

# EXPERIENCE THE MISCEA COLDSTREAM FILTER SYSTEM

Water infrastructures around the world vary in their effectiveness to provide clean, safe drinking water. In many developed countries, drinking water is one of the best controlled substances around. However, even in countries with advanced water sanitation and temperate climates, drinking water supplies can contain particles and microorganisms such as Pseudomonas, E. coli, mycobacteria and cryptosporidia. These are environmental bacteria that occur naturally in small numbers in freshwater and groundwater.

Under certain conditions, these waterborne pathogens can quickly multiply and pose significant health risks to everyone who unknowingly use the contaminated water. The consequence of prolonged exposure to these contaminants are acute (short-term) and chronic (long-term) health problems.

The ideal temperatures for these bacteria to proliferate are between 25 and 55 degrees Celsius. Stagnation in the pipeline network can also lead to increased bacterial counts in drinking water. Inferior materials used in pipes and water fittings also serve as a breeding ground.

For this reason, it is particularly important in healthcare facilities to ensure the quality of the drinking water and to protect patients and staff from the transmission of pathogens with infectious properties.

The miscea Coldstream Filter System is installed directly at the point of use in the water network. This ensures that impurities and bacteria are removed from the drinking water immediately before it is used. By using the miscea Coldstream filter system, you can pro actively safeguard your drinking water and protect your health.





**HEAVY METALS**

99.9% removal of heavy metals incl. Lead and Mercury.



**BACTERIA**

99.9% removal of bacteria and cysts\* like E. coli, Shigella, Cryptosporidium and Giardia.



**CHEMICALS**

99.9% removal of volatile organic chemicals\*, nitrates, nitrites, chlorine and Chloramine.



**VIRUS**

99.9% removal of viruses and disease-causing micro-organisms, like Rota-virus.



**PARTICLES**

99.9% removal of particle class 1, incl. Microplastics.



**PESTICIDE & HERBICIDES**

99.9% removal of pesticides and herbicides, incl. DDT.



**SCALE INHIBITOR**

Effectively inhibits scale in hard water areas\*



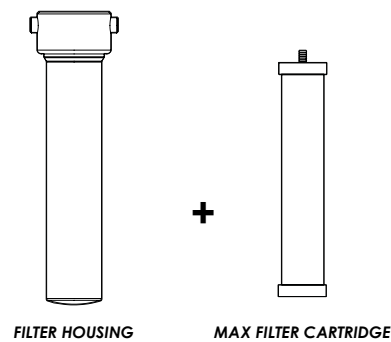
**PHARMACEUTICALS**

99.9% removal of pharmaceuticals

**MISCEA COLDSTREAM FILTER SYSTEM FOR MANUAL FAUCETS**

The miscea Coldstream Filter System is an inline water filter system that consists of a ceramic water purifier cartridge encased in a stylish, high-quality, stainless steel housing. It is a single stage water filter that is installed directly under the sink and can be connected to your miscea sensor faucet system for clean, safe, and healthy water.

Using 3 layers of filtration in a single cartridge, the miscea Coldstream Max Filter effectively and simultaneously protects against over 70 known water contaminants.



**MISCEA COLDSTREAM FILTER SYSTEM FOR MISCEA SENSOR FAUCET SYSTEMS**

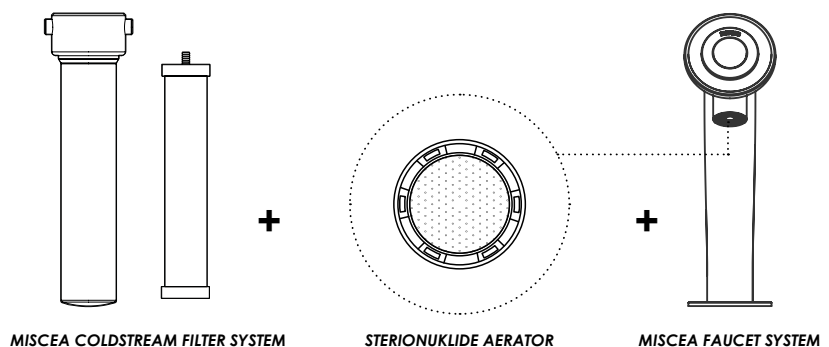
Combine the miscea Coldstream Filter System with the automatic flush function of miscea sensor faucet systems to ensure the ultimate protection at the extraction point.

**+ ANTIBACTERIAL STERIONUKLIDE AERATOR**

The Sterionuklide aerator has antibacterial properties to protect the water outlet from contamination. It only needs to be changed every 5 years.

**+ MISCEA AUTOMATIC FLUSH FUNCTION**

miscea sensor faucet systems have an inbuilt safety feature to protect against the growth of waterborne bacteria. If the system has not been used for 14 days, an automatic flush cycle will initiate. This helps to prevent the growth of bacteria inside the faucet usually associated with stagnant water.



\*For testing information and the full list of contaminants the miscea Coldstream Max Filter offers protection against, please contact miscea at info@miscea.com for the product data sheet.

# PRODUCT INFORMATION: COLDSTREAM FILTER SYSTEM



## DESCRIPTION

Under counter water filter system from miscea Coldstream with filter housing made of high quality stainless steel and antibacterial sterionuklide aerator for miscea sensor fittings. **(miscea Max Coldstream filter cartridges sold separately).**

## FEATURES

- High quality stainless steel case
- \*Antibacterial Sterionuklide aerator

## INCLUDED

- miscea Coldstream stainless steel filter housing
- 3/8" connector for steel braided hose
- Filter mounting bracket
- 3/8" Steel braided hose
- Insulator case
- \*key tool for removal of miscea aerator
- \*key tool for removal of miscea water outlet
- \*antibacterial Sterionuklide aerator + key
- \*miscea aqualibur water outlet (stainless steel) + key
- Installation set
- User Manual

\*Not available with miscea Coldstream Filter System Basic Set for manual faucets (Article Nr.: S02078001)

## FINISH OPTIONS:

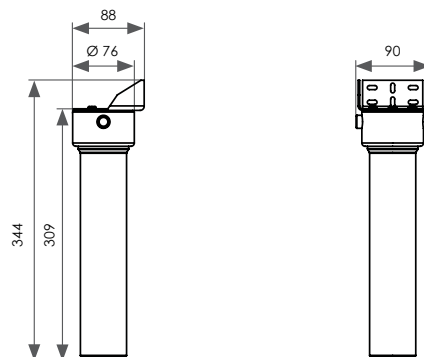


Stainless steel

## SPECIFICATIONS

Operating pressure range	0,6 – 8,6 bar
Rated capacity	6000 L
Operating Temperature range	5°C – 70°C
Rated flow	2,5 - 4,5 L/min

All measurements in mm.



MODEL: ***miscea Coldstream Filter***

DESCRIPTION	PRICE £	ART. NR.
miscea Coldstream Filter System Single Starter Set for sensor fittings	275,00	S02076001
miscea Coldstream Filter System Double Starter Set for sensor fittings	495,00	S02077001
miscea Coldstream Filter System Basic Set for manual fittings	255,00	S02078001

# PRODUCT INFORMATION: COLDSTREAM FILTER CARTRIDGE



## DESCRIPTION

The miscea Coldstream Max filter cartridge offers the highest level of protection against water pollutants and waterborne viruses. The ceramic in the filter has a complex porous structure made from a range of naturally occurring materials in the earth. Each layer in the filter is designed to protect against different contaminants in the water.

1. The inner carbon core protects against chemical contamination, including pesticides and herbicides through the process of adsorption. Adsorption is the adhesion of atoms, ions, or molecules from a gas, liquid or dissolved solid to a surface
2. Surrounding this is a unique white ceramic middle layer that removes particles and microplastics through entrapment and it also provides maximum anti-bacterial protection.
3. The outer layer is the duck egg blue ceramic containing antimicrobial properties, which helps to eradicate any waterborne pathogens.

**Please replace the filter cartridge every 6 months.**

## FEATURES

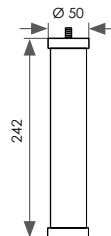
- Protects against over 70 known types of water pollution
- Works without electricity
- Healthy salts and electrolytes stay in the water
- Maximum protection against water pollutants

## INCLUDED

- 4 x miscea Max Coldstream Filter Cartridges
- User Manual

\*For testing information and the full list of contaminants the miscea Coldstream Max Filter offers protection against, please contact miscea at [info@miscea.com](mailto:info@miscea.com)

All measurements in mm.



**MODEL:** *miscea Coldstream Max Filter Cartridge*

DESCRIPTION	PRICE £	ART. NR.
miscea Coldstream Max Filter Cartridge 4 Pack	195,00	S02079001
<b>NOTE: must be ordered in addition to the miscea Coldstream Filter System Sets</b>		

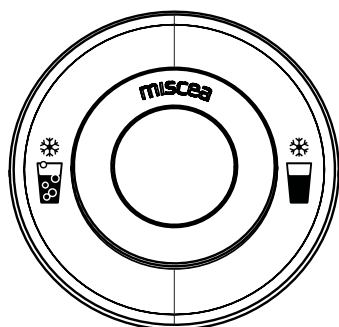
# EXPERIENCE THE MISCEA AQUAMORE SYSTEM

## ENJOY WATER DIRECT FROM YOUR FAUCET LIKE NEVER BEFORE

Like magic, the new miscea aquamore System will give you pure, fresh, still, sparkling, and flavoured water with a simple wave of your hand. It is the first completely touch free and hygienic sparkling water faucet system of its kind that features miscea aqualibur Technology to safeguard drinking water against bacterial contamination.

Made from 100% medical grade stainless steel, the sleek contemporary faucet design of the miscea aquamore faucet makes it a stylish addition to any kitchen, bar, entertainment area or semi-public establishments. Experience the healthy, safe and environmentally friendly alternative to bottled water with the new miscea aquamore range.

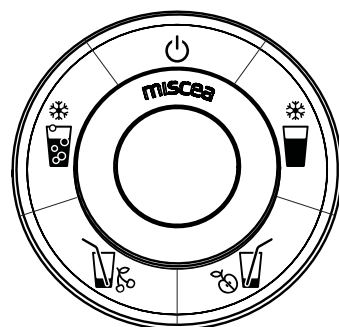
The miscea aquamore System is available in the following two variants:



### MISCEA AQUAMORE DUO

The miscea aquamore Duo System has two chilled and filtered beverage options:

- still water
- sparkling water



### MISCEA AQUAMORE QUATTRO

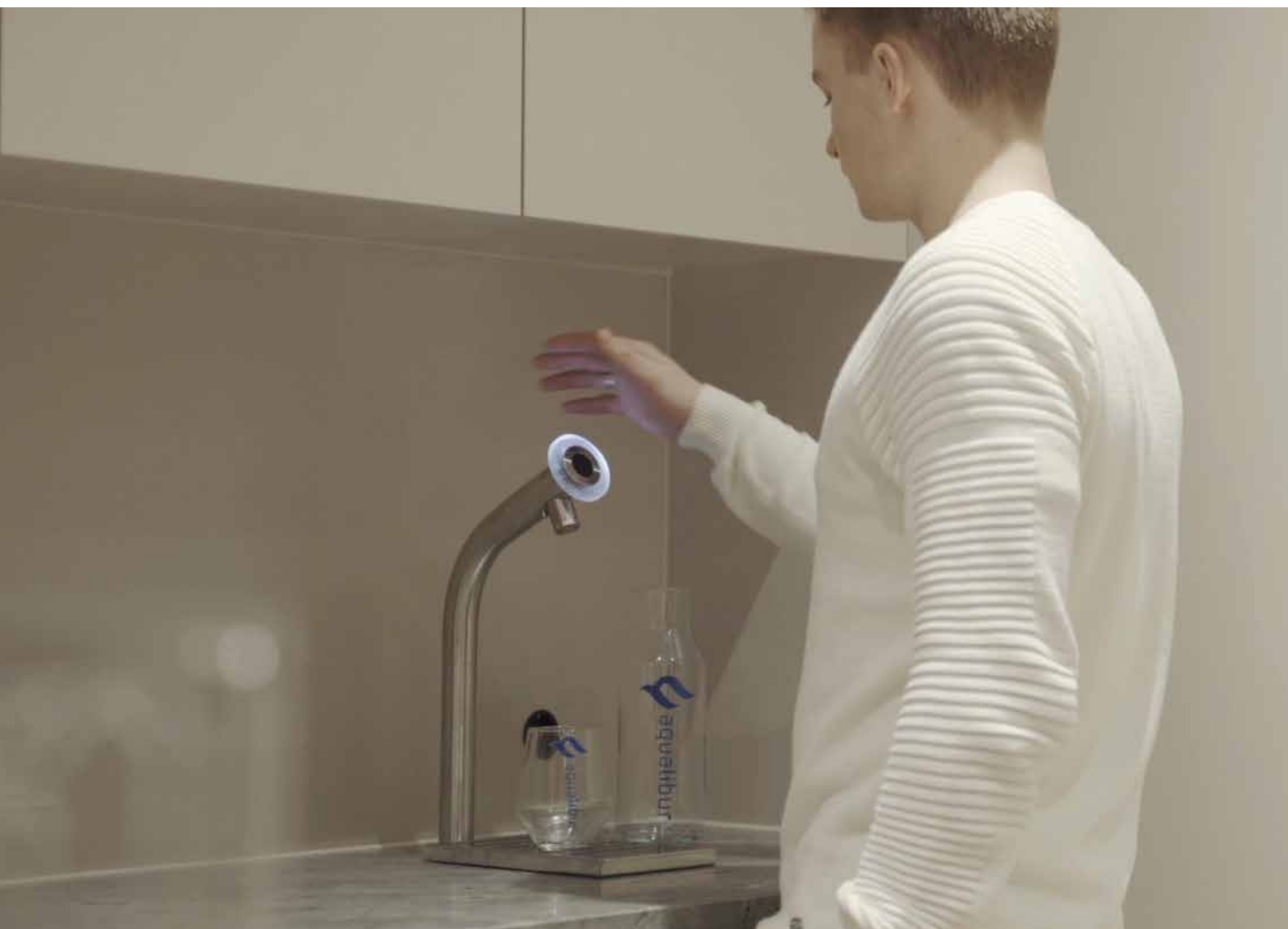
The miscea aquamore Quattro System has four chilled and filtered beverage options:

- still water
- sparkling water
- up to 2 syrup flavours





## PRODUCT INFORMATION: MISCEA AQUAMORE SYSTEM



### TRULY HYGIENIC, CONTACTLESS SPARKLING WATER.

The miscea aquamore System is the first truly contactless, hygienic, and possibly the most elegantly designed sparkling water faucet on the market. Whether at home, the office or in any commercial setting such as a hotel, restaurant, or hospital, the abundance of high-touch surfaces and objects make it easy for people to inadvertently transmit illness-causing pathogens from one surface to another. Enjoy proper hydration with the miscea aquamore System for reliable, instant, and completely touch free access to clean, great tasting, still, sparkling, and flavoured water options.

### ENJOY COST SAVINGS WITH MISCEA AQUAMORE.

Using miscea aquamore Systems means several costs associated with using bottled water systems can all be avoided, including high purchasing costs as well as transport, storage, maintenance, and disposal costs.

### ENJOY ENDLESS HYDRATION WITH MINIMAL EFFORT.

Using bottled water systems means on-site storage space for full and used bottles is required. Depending on the services offered, there must always be someone on site for scheduled pick-ups or deliveries.

The miscea aquamore System eliminates the need for any on-site storage. The entire system is compact, fits underneath the sink cabinet and designed to ensure an endless supply of great tasting drinking water direct from the faucet.



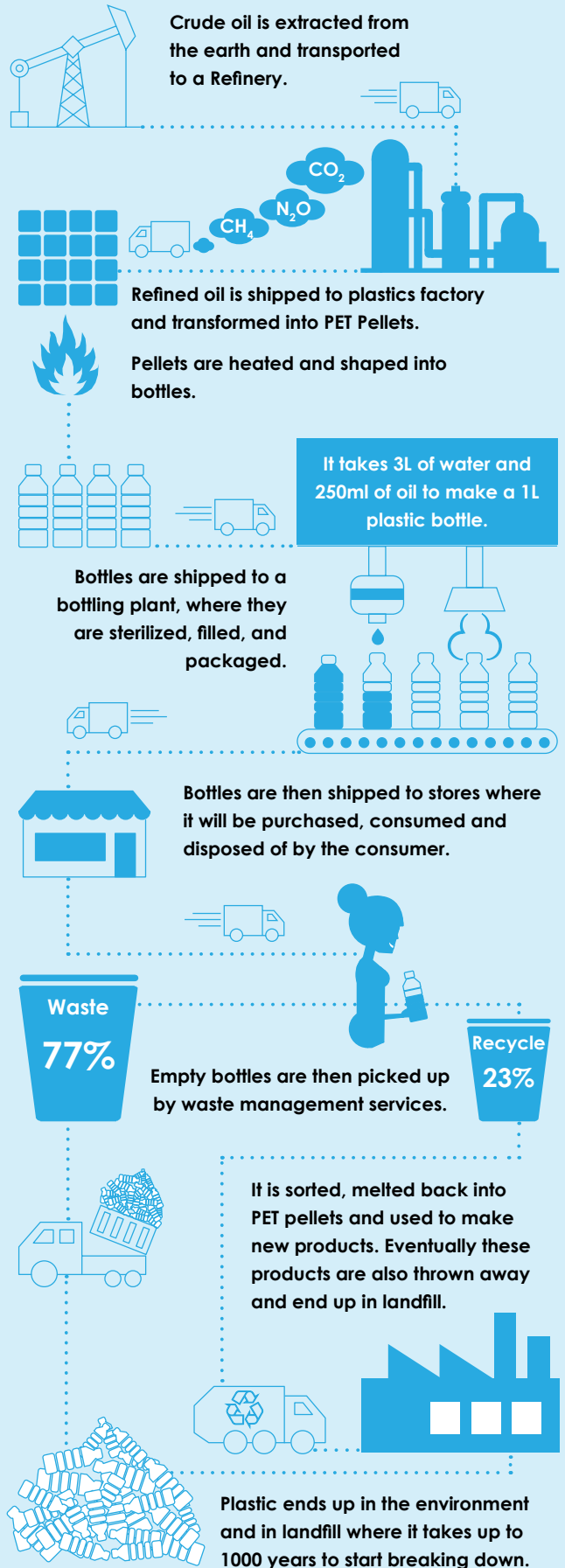


**ENJOY SAFE AND HEALTHY WATER SUSTAINABLY.**

The life cycle of a water bottle from beginning to end, requires a range of manufacturing, distribution, and disposal processes. During each of these stages, harmful greenhouse gases are released into the environment as large amounts of scarce resources are used to create, store, and transport the bottles. In short, the use of bottled water is environmentally damaging, wasteful, and simply unsustainable.

The miscea aquamore System connects directly to your building's water source and filters the water at the point of use for safe, clean, and healthy water. This reduces not only the waste created from using bottled water but also the production and distribution pollution associated with bottled water.

**THE LIFE CYCLE OF A PLASTIC BOTTLE**

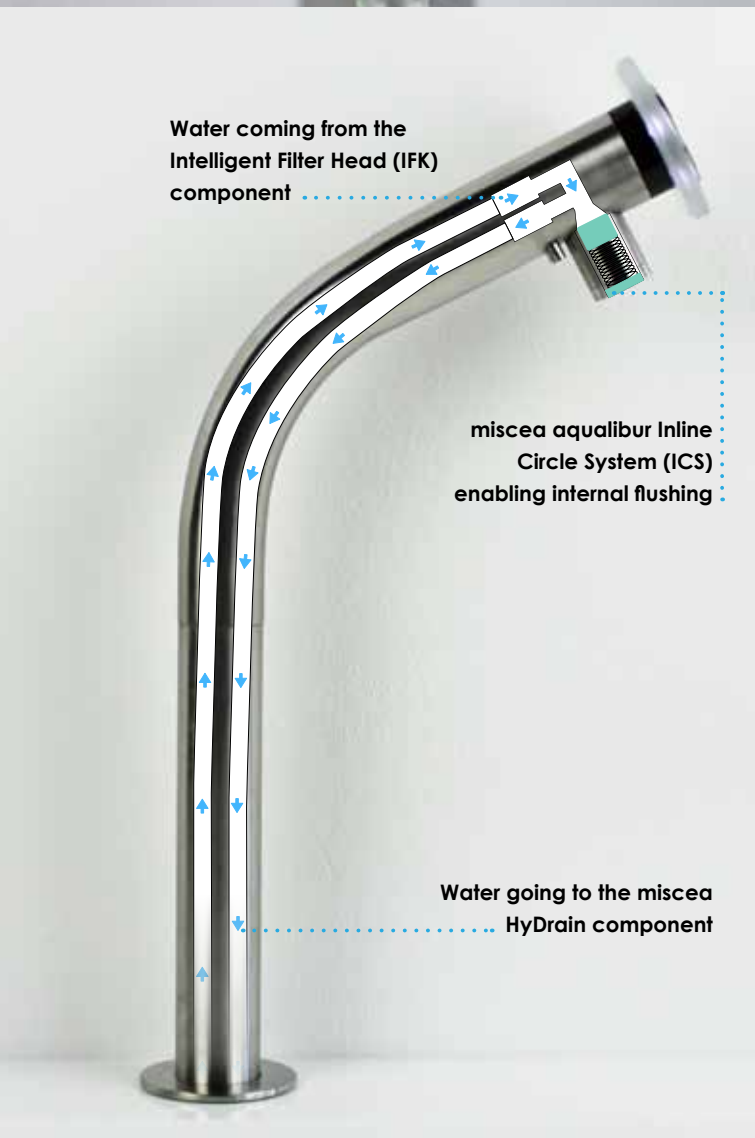


# PRODUCT INFORMATION: MISCEA AQUAMORE SYSTEM



## SELF CLEANING SYSTEM WITH INTELLIGENT WATER HYGIENE TECHNOLOGY FOR CLEAN, PURE, HEALTHY WATER

The miscea aquamore System not only reduces the potential for cross contamination through the use of advanced sensor technology, it also features a number of smart water hygiene technologies that help to keep the system fresher and cleaner for longer.



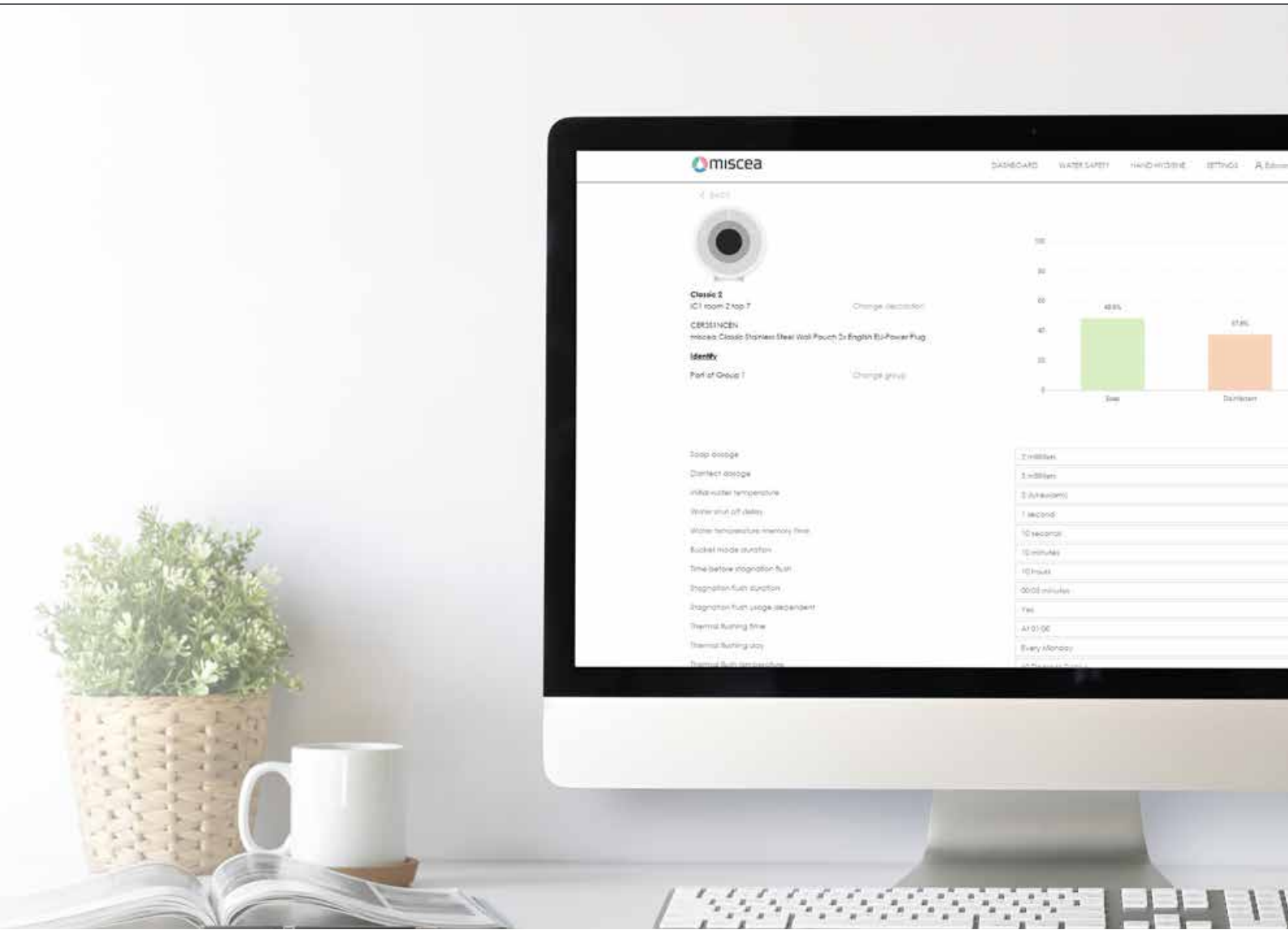
## + MISCEA AQUALIBUR WATER HYGIENE TECHNOLOGY

miscea aqualibur Water Hygiene Technology is the result of the successful collaboration between miscea GmbH and Waterhouse ATT – two companies with over 40 years' combined experience in the sanitary industry on water hygiene and safety.

This state-of-the-art technology uses the patented Intelligent Filter Head (IFK), the Inline Circle System (ICS) and the miscea HyDrain to efficiently keep the internal components of water faucets clean, hygienic, and prevent waterborne contaminations caused by stagnant water.

These core components together enable safe and automatic internal flush cycles, and when required, also chemical disinfection of the waterline to occur without disturbing the immediate surrounding.

***Enjoy completely automatic internal flush cycles for contamination free water.***



**+ ANTIBACTERIAL AERATOR**

This special aerator has antibacterial properties to protect the water outlet from contamination. It only needs to be changed once every 5 years.

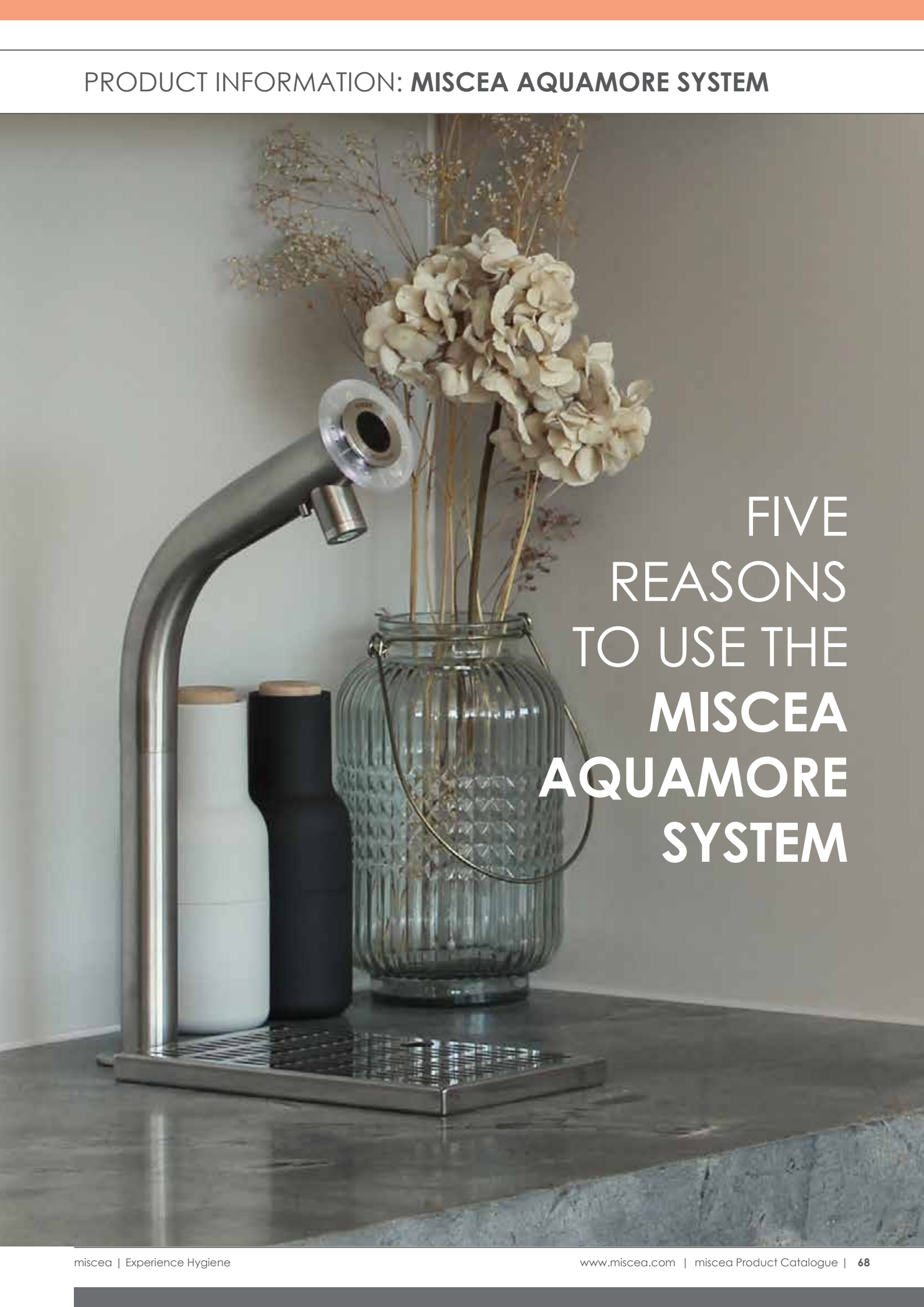
**+ WATER FILTER**

Leaving behind only essential salts and electrolytes for safe, healthy, and great tasting water, the miscea aqualibur Water Filter is cost-effective, filters 100% of water used, and removes 99,99% of various water impurities.

**+ CENTRALIZED MANAGEMENT**

Optionally available for management and configuration of all faucets fitted with miscea aqualibur Technology is the miscea aqualibur Web Based Application – an easy to use online platform that collects data through a Wi-Fi connection, from every faucet using miscea aqualibur Technology on the premises.

Enquire at [info@miscea.com](mailto:info@miscea.com) for more information.

A modern, minimalist coffee machine with a curved stainless steel frame. It features a white water reservoir and a black coffee reservoir on the left. A clear glass carafe with a handle is positioned in the center. The machine is set on a dark, textured surface. In the background, a clear glass vase with a handle contains dried white flowers and greenery. The overall aesthetic is clean and contemporary.

FIVE  
REASONS  
TO USE THE  
**MISCEA**  
**AQUAMORE**  
SYSTEM

**1****EXPERIENCE THE TRULY HYGIENIC DRINKING WATER SYSTEM**

Hygienically access instant, fresh, filtered water with the completely contactless miscea aquamore sensor faucet system.

**2****ENJOY FRESHLY FILTERED WATER SUSTAINABLY**

Take a step forward towards a better and brighter future by avoiding the waste and pollution associated with bottled water.

**3****EASILY SAFEGUARD YOUR DRINKING WATER**

Effortlessly minimize the risk of microbial contamination in your drinking water through effective control of water stagnation with automated internal water hygiene flushing from miscea aqualibur Technology.

**4****REDUCE COSTS BY USING MISCEA AQUAMORE**

Eliminate unnecessary costs associated with bottled water and eliminate labour intensive water disinfection procedures.

**5****DISCOVER OUR RANGE OF AWARD WINNING FAUCET DESIGNS**

Experience clean and sleek sensor faucet designs from miscea to compliment any modern interior space.

# PRODUCT INFORMATION: MISCEA AQUAMORE



## FINISH OPTIONS:



Stainless steel

## SPECIFICATIONS

Please request technical specifications from miscea GmbH at [berlin@miscea.com](mailto:berlin@miscea.com)

## DESCRIPTION

Hygienic drinking water system for chilled filtered still and sparkling water with the option to include 2 integrated syrup dispensers for flavoured water.

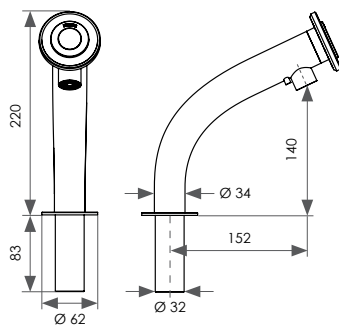
## FEATURES

- Electronic faucet for still and sparkling water
- Faucet user interface made of high quality laser engraved glass
- Options include:
  - chilled filter still and sparkling water
  - 2 syrup flavour concentrate dispensers (only available with miscea aquamore Quattro model)
- Hygienic touch free controls of all functions
- miscea aqualibur Technology:
  - ICS - automatic internal flushing technology for prevention of water-borne bacteria. Cycles completely adjustable with the miscea remote control or miscea Web App (sold separately).
  - miscea HyDrain - prevents retrograde contamination of the system and overflow.
  - miscea aqualibur IFK and water filter
- Antibacterial Sterionuklide aerator

## INCLUDED

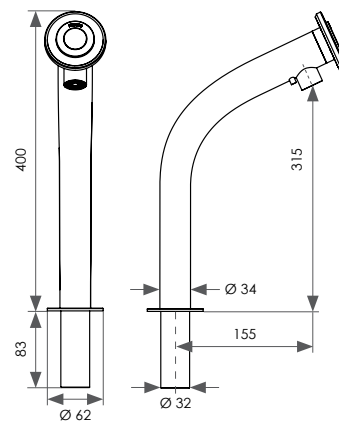
- miscea aquamore **Duo** / miscea aquamore **Quattro** faucet
- Waterbox
- Syrup Box (only for version Quattro)
- 2 x 1 L Syrup Flavours (only for version Quattro)
- Stainless steel braided hoses for water connections (850 mm)
- miscea aqualibur Intelligent Filter Head (IFK)
- miscea aqualibur Filter
- 425g CO2 Tank
- Carbonator
- miscea aqualibur Hydrain
- Power plug (Cable length 1800 mm)
- 1 x Installation kit, 1 x Instruction manual

All measurements in mm.



MODEL:

*miscea aquamore Standard*

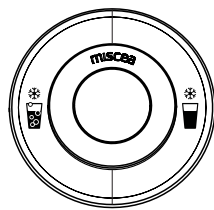


*miscea aquamore Large*

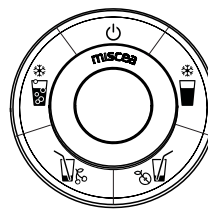
# PRODUCT INFORMATION: MISCEA AQUAMORE

FINISH OPTIONS	MODEL		SYRUP BOX		DISPLAY		PRICE £	ART. NR.
	Standard	Large	No Syrup	Pouch	Duo	Quattro		
Stainless Steel	✓		✓		✓		2.860,00	AWER1NC
	✓			✓		✓	3.195,00	ATER1S1NC
		✓	✓		✓		2.998,00	AWER5NC
		✓		✓		✓	3.349,00	ATER5S1NC

Prices are exclusive of VAT, and shipping costs

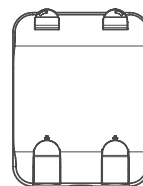


DUO



QUATTRO

DISPLAY:



FOR POUCHES

SYRUP BOX (OPTIONAL):

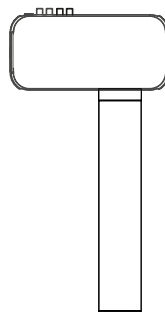
CORE SYSTEM COMPONENTS:



WATERBOX



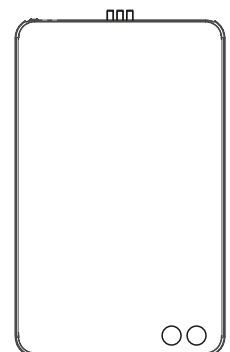
MISCEA HYDRAIN



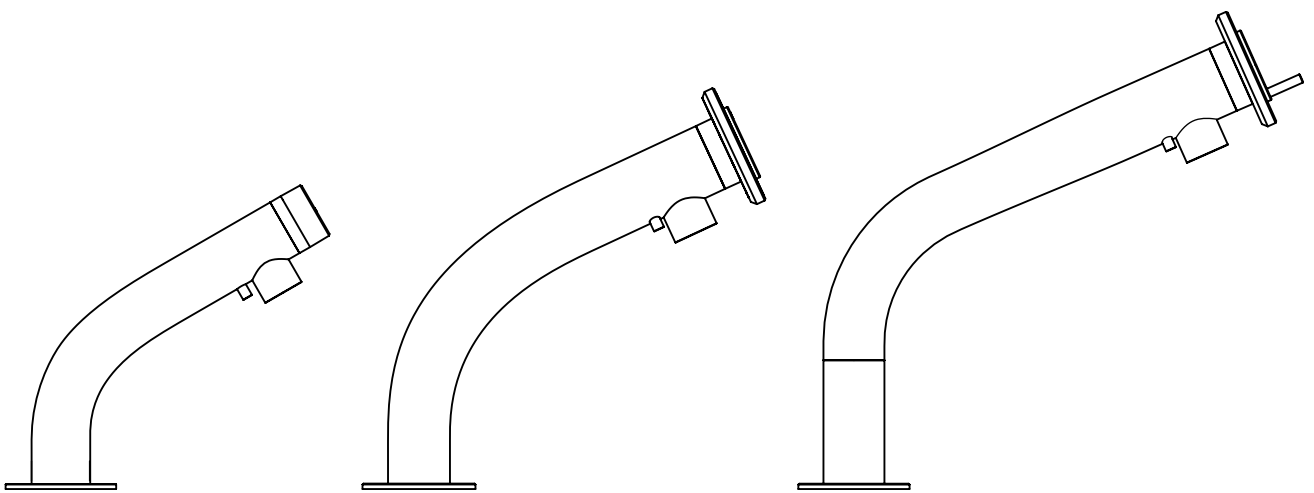
AQUALIBUR IFK + FILTER



CO2 TANK



CARBONATOR





# LIQUID REFILLS / ACCESSORIES

# PRODUCT INFORMATION: LIQUID REFILLS



## MISCEA SEPTASOL: HAND DISINFECTANT

### DESCRIPTION:

For hygienic and surgical hand disinfection.

- Alcoholic disinfectant for hand disinfection
- Perfume-free
- Good skin compatibility

### APPLICATION AREAS:

- Hygienic hand disinfection acc. VAH/DGHM/EN 1500
- Surgical hand disinfection acc. VAH/DGHM/EN 12791

### INSTRUCTIONS FOR USE:

For hygienic hand disinfection, rub hands together with the solution and keep moist for 30 seconds. For surgical hand disinfection, the hands and forearms are rubbed with the solution and kept moist for 1.5 minutes.

REFILL TYPE	QUANTITY	PRICE £	ART. NR.
Pouch	6 x 1 L	84,95	S01043001
Bottle	6 x 1 L	84,95	S01044001



## MISCEA ETHADES: HAND DISINFECTANT (FOR BENELUX REGION)

### DESCRIPTION:

For hygienic and surgical hand disinfection according to EN 1500 and EN 12791 in health-care facilities, laboratories, and other hygiene sensitive environments.

- Very good skin tolerability
- Color free and fragrance free

### INSTRUCTIONS FOR USE:

For hygienic hand disinfection, rub hands together with the solution and keep moist for 30 seconds. For surgical hand disinfection, the hands and forearms are rubbed with the solution and kept moist for 1.5 minutes.

REFILL TYPE	QUANTITY	PRICE £	ART. NR.
Pouch	6 x 1 L	84,95	S01040001
Bottle	6 x 1 L	84,95	S01046001

## PRODUCT INFORMATION: LIQUID REFILLS



### MISCEA ECOSOAP: HAND WASH SOAP

#### DESCRIPTION:

Ecological, skin friendly, pleasantly scented liquid hand soap. miscea Eco Soap is enriched with skin protectors and has moisturizing properties which make miscea Eco Soap mild for the skin. miscea Eco Soap lathers into a light foam and can save up to 70% soap compared to conventional liquid hand soaps.

- Color free and pleasantly scented soap, pH skin neutral, biodegradable
- Minimal impact on the aquatic ecosystems

#### INSTRUCTIONS FOR USE:

Apply miscea ECOSOAP onto wet hands and lather into foam. Thoroughly massage into hands and then rinse under running water.



REFILL TYPE	QUANTITY	PRICE £	ART. NR.
Pouch	6 x 1 L	70,95	S01047001
Bottle	6 x 1 L	70,95	S01048001



### MISCEA TUBE CLEANSE ACC. EN ISO 17664: PREPARATION SOLUTION FOR DISPENSER SYSTEM

#### DESCRIPTION:

miscea TubeCleanse is a ready-to-use cleaning solution for treating the soap and disinfectant tubes.

- Biodegradable, free of alcohol, phenols, aldehyde and quaternary ammonium compounds
- Good cleaning performance
- Natural detergents based on acids

#### INSTRUCTIONS FOR USE:

miscea TubeCleanse has been developed for the efficient cleaning and disinfection of miscea soap and disinfectant tubes and for the removal of biofilm and calcium deposits. The ready-to-use, treatment solution is pumped through the soap and disinfectant tubes as part of the liquid changing process. The exposure time for miscea TubeCleanse is 5 minutes.

#### IMPORTANT INFORMATION

**The WHO recommends: "Dispensers must be thoroughly cleaned or disinfected before each liquid product change"**

REFILL TYPE	QUANTITY	PRICE £	ART. NR.
Pouch	1 x 1 L	19,95	S01049001
Bottle	1 x 1 L	19,95	S01050001

# PRODUCT INFORMATION: ACCESSORIES



## MISCEA SYSTEMCARE SET

### DESCRIPTION:

The miscea SystemCare set contains a combination of professional products designed to help keep miscea sensor faucet systems in top condition for reliable and uninterrupted performance. This set is available for both Pouch and Bottle refill systems. Each miscea SystemCare Set includes the following:

### 1 L MISCEA TUBE CLEANSE SOLUTION

Available in both pouch and bottle options, this TubeCleanse solution is designed to clean and disinfect the soap and disinfectant tubes.

### 1 x MISCEA REMOTE CONTROL

With the remote control, the miscea systems can be adjusted to user preferences.

### 1 x AERATOR + AERATOR KEY

Regular renewal of the aerator is recommended for hygienic reasons and ensures a clean and even stream of water flow.

### 1 x HIGH QUALITY MICRO FIBRE CLOTH

The high-quality, 35 cm x 35 cm microfibre cloth is suitable for the effective removal of fine dust and dirt particles without the use of aggressive chemicals.

### 1 x MISCEA FOAM GLOVE

A convenient and ready to use cotton glove soaked in an effective and high quality solution of surface disinfectant.

### OTHER TOOLS

- 1 pc. Self-holding plastic container for de-calcifying the water outlet
- 2 pc. Mini brushes for internal cleaning of the soap and disinfectant outlets
- 4 pcs. O-ring connection mandrel (only available with Soapbox for pouches)

DESCRIPTION	PRICE £	ART. NR.
miscea SystemCare Set for use with Pouches	149,95	S02056001
miscea SystemCare Set for use with Bottles	149,95	S02057001



## MISCEA WATER FLOW REGULATOR

### DESCRIPTION:

Easily adjust the water flow of your miscea system. With the miscea water flow regulator, you can adjust the desired water quantity of your miscea faucet. Compatible with the miscea CLASSIC and miscea KITCHEN systems.

Dimensions	Value
Ø (mm)	46
H (mm)	35
Connection Ø (mm)	8
Weight (g)	708
Standard installation dimensions (mm)	35

DESCRIPTION	PRICE £	ART. NR.
miscea Water flow regulator (Polished chrome)	145,00	S02040001

# PRODUCT INFORMATION: ACCESSORIES



## MISCEA REMOTE CONTROL

### DESCRIPTION:

The miscea Remote Control allows a number of settings on miscea sensor faucet systems to be adjusted. The full list of functions that can be adjusted is shown in the overview below.

### SPECIFICATIONS

Weight	43 g
Battery Type	CR 2032
L x B x H	150 x 60 x 10 mm
Color	White with grey accents

FUNCTION / MODEL	CLASSIC	LIGHT	KITCHEN
Starting water temperature	✓	✗	✓
Water shut off delay time	✓	✓	✓
Dosage amount for liquids	✓	✓	✓
Water temperature memory time	✓	✗	✓
Duration of continuous water flow mode	✓	✓	✓
Duration of spool cycles	✓	✓	✓
Duration between spool cycles	✓	✓	✓
Light display and beep tone settings	✓	✓	✓
On / Off	✓	✓	✓
Hand Disinfect Timer	✓	✗	✗
Hand Wash Timer	✓	✗	✗
Manual Spool with Remote	✓	✓	✓
Automatic Flush at Power on	✓	✓	✓
End point filter mode	✓	✓	✓
Cleaning mode	✓	✗	✓
Sensitivity of IR settings	✓	✓	✓
Setting with instantaneous water heaters	✓	✗	✓

DESCRIPTION	PRICE £	ART. NR.
miscea Remote Control	99,95	S02002001

## PERLATOR SET

### DESCRIPTION:

This kit includes 5 x cache aerators and 1 x installation key.



DESCRIPTION	PRICE £	ART. NR.
Perlator set Cache (CLASSIC/LIGHT) - Red	34,95	S02015001
Perlator set Cache (KITCHEN) - Blue	34,95	S02022001

# PRODUCT INFORMATION: ACCESSORIES



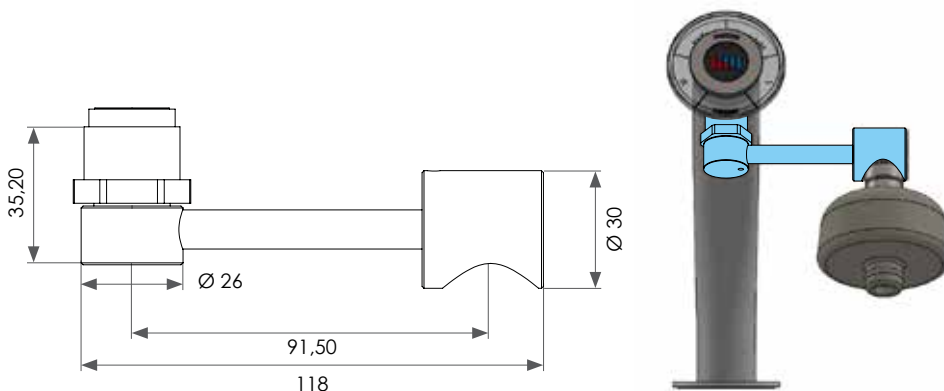
## POINT OF USE FILTER ADAPTER

### DESCRIPTION:

In areas where vulnerable and immunocompromised users may come in contact with water, such as in hospitals and nursing homes, additional control measures are used as part of an organizations water management program to maintain water quality.

Often this may include point of use (POU) filters which are installed directly on the water outlet of faucets to provide an immediate barrier against waterborne pathogens. The miscea Point of Use Filter Adapter enables miscea sensor faucet systems to be used with POU filters from various manufacturers, such as PALL.

- miscea POU Filter Adapter is made of medical grade stainless steel
- Compatible with all miscea models.
- Can be removed and is safe for thermal disinfection in autoclaves
- M24x1 filter adapter connection



All measurements are in mm

DESCRIPTION	PRICE £	ART. NR.
Point of Use Filter Adapter - standard miscea faucets	94,95	S02072001



## LIQUID CONTAINER FOR DRAWS (SOAPBOX BOTTLE)

0,4 L

DESCRIPTION	PRICE £	ART. NR.
0,4 L liquid container for draws (Soapbox for bottle)	45,00	S02070001

## PRODUCT INFORMATION: ACCESSORIES

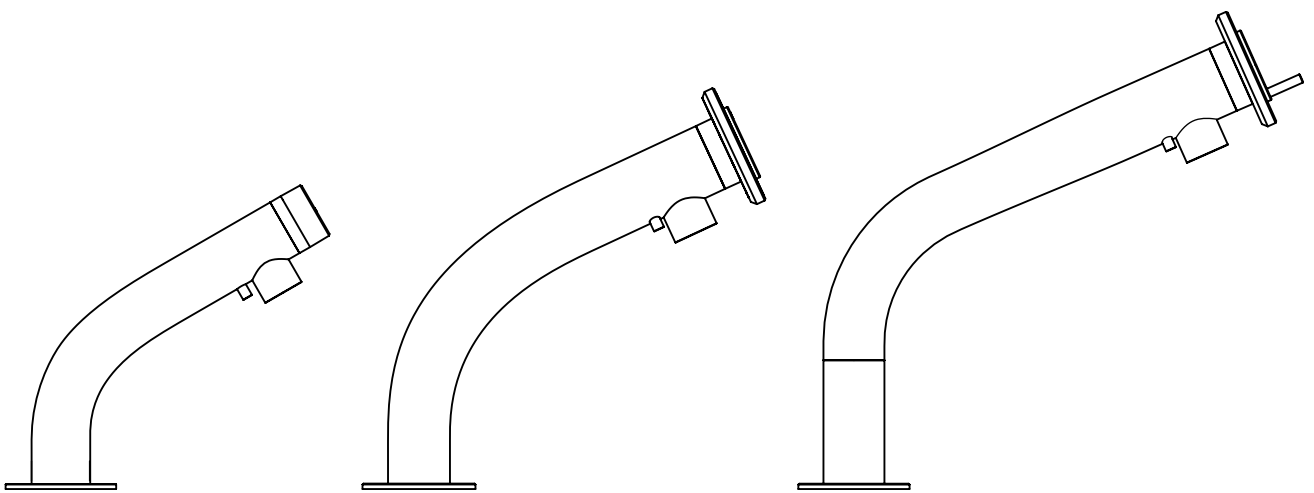


### GROHTHERM MICRO THERMOSTAT

#### DESCRIPTION:

Thermostatic mixers are designed for hot water supply via pressurized storage heater and utilized in this way provide the best temperature accuracy. With sufficient power (from 18 kW to 250 kcal/min) electric or gas instantaneous heaters are also suitable. Safe limitation of max. outlet temperature via preset thermostats on every standard wash basin mixer (thermal scalding protection). Thermostat mixers cannot be used in conjunction with low-pressure storage heaters (displacement water heaters). Connection hose included.

DESCRIPTION	PRICE £	ART. NR.
Grohtherm Micro Thermostat	149,00	S02039001





# SYSTEM COMPONENTS / **SERVICE**

# PRODUCT INFORMATION: SOAPBOX

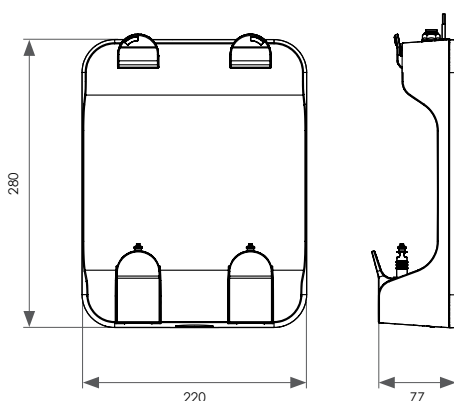


## SOAPBOX

### DESCRIPTION: SOAPBOX FOR POUCHES

The soapbox for use with 1 L vacuum pouches contain peristaltic pumps for the exact dosing of liquids. This component has a smooth, easy to clean outer surface and 2 closures that secure the vacuum pouches in place.

This soapbox in combination with the vacuum sealed pouches, ensures the quality of the liquid products does not diminish over time as it is not exposed to external contaminants.

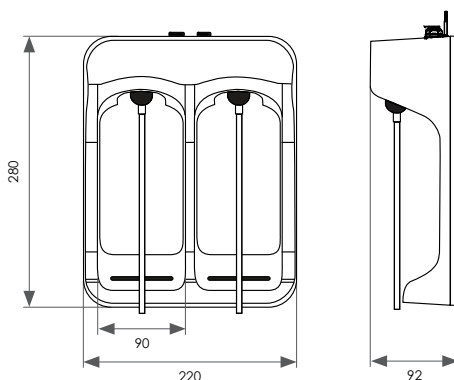


All measurements are in mm



### DESCRIPTION: SOAPBOX FOR BOTTLES

The soapbox for use with 1 L Euro bottles contains peristaltic pumps for exact dosing of liquids products. This component has a smooth, easy-to-clean outer surface.



All measurements are in mm

**PLEASE NOTE: miscea recommends Euro bottles to not be refilled because refilling liquid hand hygiene products in existing containers has been proven in many studies as a cause of contamination associated with outbreaks.**

Source: „HÄNDEHYGIENE IN EINRICHTUNGEN DES GESUNDHEITSWESENS“. In: Bundesgesundheitsblatt - Gesundheitsforschung - Gesundheitsschutz. Stand September 2016. [https://www.rki.de/DE/Content/Infekt/Krankenhaushygiene/Kommission/Downloads/Haendehyg\\_Riil.pdf?\\_\\_blob=publicationFile](https://www.rki.de/DE/Content/Infekt/Krankenhaushygiene/Kommission/Downloads/Haendehyg_Riil.pdf?__blob=publicationFile) (Visited on 02.12.2017)

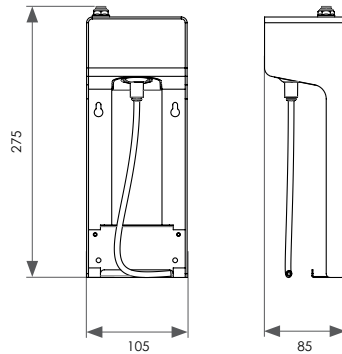
DESCRIPTION	PRICE	ART. NR.
Soapbox for Pouches (CLASSIC, KITCHEN)	345,00	S05077001
Soapbox for Pouches (LIGHT)	295,00	S05079001
Soapbox for Bottles (CLASSIC, KITCHEN)	395,00	S05078001

# PRODUCT INFORMATION: SOAPBOX / WATERBOX



## SOAPBOX FOR BOTTLE

The new stainless steel miscea soapbox for bottle is compatible with 1 L Euro bottles.



All measurements are in mm

DESCRIPTION	PRICE £	ART. NR.
Soapbox for bottle (LIGHT, CLASSIC PURE S)	320,00	S05084001



## WATERBOX

### DESCRIPTION:

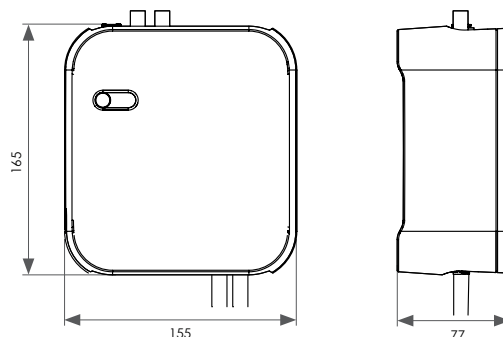
The miscea water box contains a number of important electronic components for the smooth functioning of the miscea CLASSIC and KITCHEN models. It contains a powerful yet low power consuming solenoid valve. In addition, a maintenance-free cartridge and a digital brushless motor allow for the perfect water temperature adjustments.

### FEATURES

- Blue LED button to initiate priming mode
- Has smooth glossy finish for easy cleaning
- Quick and easy installation and assembly

### SPECIFICATIONS

Cable length	1200 mm
Color	white with grey components



All measurements are in mm



### CERTIFICATES:

DESCRIPTION	PRICE £	ART. NR.
Waterbox (CLASSIC / KITCHEN)	495,00	S05022001



# MISCEA SERVICE

At miscea we believe that premium quality does not end with the product offered. Therefore, miscea has a dedicated team of service professionals committed to every questions or problem.

<b>CALL OUT COST (NATION WIDE - GERMANY / AUSTRIA)</b>	<b>PRICE</b>	<b>ART. NR.</b>
--	--------------	-----------------

Flat rate fee for a miscea service technician to travel to appointment location.	95,00	S04001001
--	-------	-----------

<b>DE-INSTALLATION</b>	<b>PRICE</b>	<b>ART. NR.</b>
------------------------	--------------	-----------------

Removal of existing faucet.	45,00	S04002001
-----------------------------	-------	-----------

<b>INSTALLATION</b>	<b>PRICE</b>	<b>ART. NR.</b>
---------------------	--------------	-----------------

Installation of miscea faucet and set up for use.	75,00 per unit	S04003001
---	-------------------	-----------

<b>SERVICE COSTS</b>	<b>PRICE</b>	<b>ART. NR.</b>
----------------------	--------------	-----------------

Hourly rate of miscea Service Technician.	90,00 per Hour	S04004001
---	-------------------	-----------

**Please note:** The above services and service costs apply only to Germany and Austria. Customers outside of Germany/Austria, please contact a miscea representative near you for further information.

# COMPANY PROFILE

**COMPANY** miscea GmbH

**HEADQUARTERS** Großbeeren, Germany

**YEAR FOUNDED** 2003

**LOCATIONS** The Netherlands  
Switzerland

**NR. OF EMPLOYEES** 30

**DESCRIPTION** miscea GmbH is a German manufacturer of high quality sensor faucet systems with integrated dispensers. The company is head-quartered in Großbeeren, Germany where it currently employs a team of 30 employees for research and development, production, service, administration, marketing and sales.

The miscea management team work closely with these functional areas of the business both in Großbeeren and in other miscea office locations in the Netherlands and Switzerland.

**REFERENCE PROJECTS** miscea was able to assist many well known companies realize major projects in over 12 countries with its high-quality sensor faucet systems. Below are just some of the projects where miscea systems have been installed and continue to be used today.

- HanseMerkur (Insurance Group, Germany)
- EDEKA (Supermarket Group, Germany)
- Hoffmann La Roche (Pharmaceutical Company, Switzerland)
- Schulthess Clinic (Medical Clinic, Switzerland)
- VU University Medical Centre (University Medical Centre, The Netherlands)
- Teva Pharmachie (Pharmaceutical Company, The Netherlands)
- JPMorgan Chase Bank (Banking institution, Belgium)





