

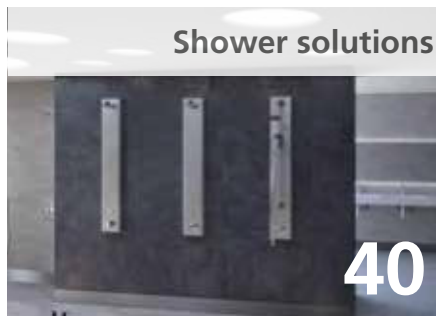
# Showers & Washroom Solutions

Commercial & Public Facilities





	Introduction	1
Water Management	CNX Water Management System Service APP	20
Shower solutions	Showers System descriptions   electronic	54
	Showers mechanical	124
	Accessories   Conversion sets for shower faucets	158
	Shower heads   Spa & wellness	184
	Thermostat batteries	214
Washroom solutions	Lavatory & Kitchen faucets electronic	224
	Lavatory faucets mechanical	312
	Accessories for lavatory faucets	326
	Washbasin solutions	340
	Urinal flush valves electronic   Accessories   Conversion set	350
	Sanitary equipment	368
Hygiene solutions	Disinfectants Drinking water/surface/room air/swimming pool filters	434
Information	Index of Article numbers & GTC	454



Introduction ..... 1

**WATER MANAGEMENT**

CNX Water Management System ..... 20  
Service APP ..... 32

**SHOWER SOLUTIONS**

Showers - Descriptions ..... 40  
Functional options ..... 54

**Electronic showers**

Shower panels ..... 60  
Concealed showers ..... 82  
Exposed showers ..... 113  
Freestanding showers ..... 116

**Mechanical showers**

Shower panels ..... 124  
Concealed showers ..... 132  
Exposed showers ..... 152

**Accessories for shower faucets**

Raw-assembling sets, cables etc. .... 158

**Shower heads**

Jet shower heads ..... 184  
Rain shower heads ..... 188  
Shower head kits ..... 190  
Hand shower set ..... 192  
Wall elbow ..... 193  
Wall duct ..... 193  
Adapter ..... 193

**Spa & Wellness**

Rain shower heads ..... 196  
Spray/jet shower heads ..... 202  
Ball-type nozzle ..... 203  
Waterfall shower head ..... 203  
Shower arms ..... 204  
Waterfall bucket showers ..... 206  
Power shower sets ..... 208  
Shower sets for Kneipp's affusions ..... 210

**Thermostat batteries**

Thermostat batteries exposed ..... 214  
Thermostatic mixing valves ..... 216

**WASHROOM SOLUTIONS**

**Electronic faucets**

Functional options ..... 222

**Touchless lavatory faucets**

ultra ..... 224  
lino ..... 237  
lumino ..... 245  
iQ ..... 250  
senso ..... 255  
loopino ..... 256  
maxx ..... 260  
umaxx ..... 263

**Self-closing lavatory faucets**

tipolino ..... 264

**Concealed faucets**

CONGENIAL FIT ..... 266  
ultra ..... 285  
lino ..... 286  
iQ ..... 289

**Exposed wall-mounted faucets**

CONBASE ..... 291  
lino ..... 295

**Multiple washing systems**

CONGENIAL ..... 300  
lino ..... 305

**Kitchen faucet**

Hybrid kitchen faucet H10 ..... 309

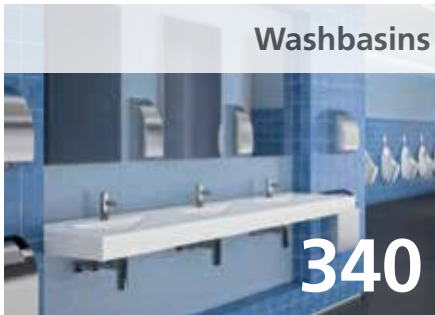
**Mechanical faucets**

**Lavatory and wall-mounted faucets**

lino Softouch ..... 312  
CONWASH ..... 316  
CONMED ..... 318  
Thermostatic mixing valve ..... 320

**Accessories for faucets**

Power supplies, connectors etc. .... 326



**Washbasin solutions**

Washbasins mineral cast gelcoat ..... 340  
 Additional charges ..... 344  
 Countertop washbasin ..... 346

**Urinal flush valves**

Functional options ..... 350

**Concealed urinal flush valves**

ultra ..... 352  
 iQ ..... 354  
 lino ..... 355  
 Siphon regulator ..... 357

**Exposed urinal flush valves**

lino AP ..... 358  
 Accessories ..... 359  
 Retrofitting set ..... 364

**Sanitary equipment**

**Design series SteelTec**

Hand dryer ..... 368  
 Paper towel dispenser ..... 369  
 Dispenser ..... 370  
 Toilet paper holder ..... 371  
 Hygiene bin ..... 374  
 Waste bins ..... 374  
 Diaper changing table ..... 376  
 Paper holder ..... 376

**Design series BJÖRK**

Hand dryer ..... 378  
 Paper dispenser ..... 379  
 Dispenser ..... 380  
 Toilet paper holder ..... 382  
 Hygiene box ..... 383  
 Waste bin ..... 383  
 Diaper changing table ..... 384  
 Paper towel dispenser ..... 385  
 Floor stands ..... 386  
 Table stands ..... 387  
 Drip trays ..... 388  
 Transformer ..... 389

**Design series TAP**

Hand dryer ..... 390  
 Dispenser soap | disinfectant ..... 391

**Stainless steel equipment**

Hand and hair dryer ..... 392  
 Hand dryer ..... 393  
 Hair dryer ..... 396  
 Paper- /Wastebins ..... 397  
 Hygiene bins ..... 399  
 Hygiene bag dispenser ..... 399  
 Paper towel dispenser ..... 400  
 Diaper changing table ..... 401  
 Wall and table soap dispenser ..... 402  
 Dispenser soap | disinfectant ..... 405  
 Toilet accessories ..... 409  
 Wall mirrors ..... 411  
 Consumable supplies ..... 413  
 Washbasins ..... 415  
 Built-in-basin ..... 419  
 Wash troughs ..... 420  
 Accessories ..... 422  
 Laboratory sink ..... 423  
 Bucket sinks ..... 424  
 Urinal ..... 428  
 Wall-mounted toilet ..... 429

**HYGIENE SOLUTIONS**

**Disinfection solutions**

Drinking water disinfection ..... 436  
 Surface disinfection ..... 438  
 Room air disinfection ..... 441  
 Swimming pool filter disinfection ..... 444

**Dosing systems**

Dosing pump ..... 446  
 Connection set ..... 447  
 Mobility equipment ..... 448

**Accessories**

Fogging devices ..... 452  
 Drinking water hygiene test ..... 453

**Information**

Index of article numbers ..... 456  
 GTC ..... 462





## Smart systems for a better quality of life

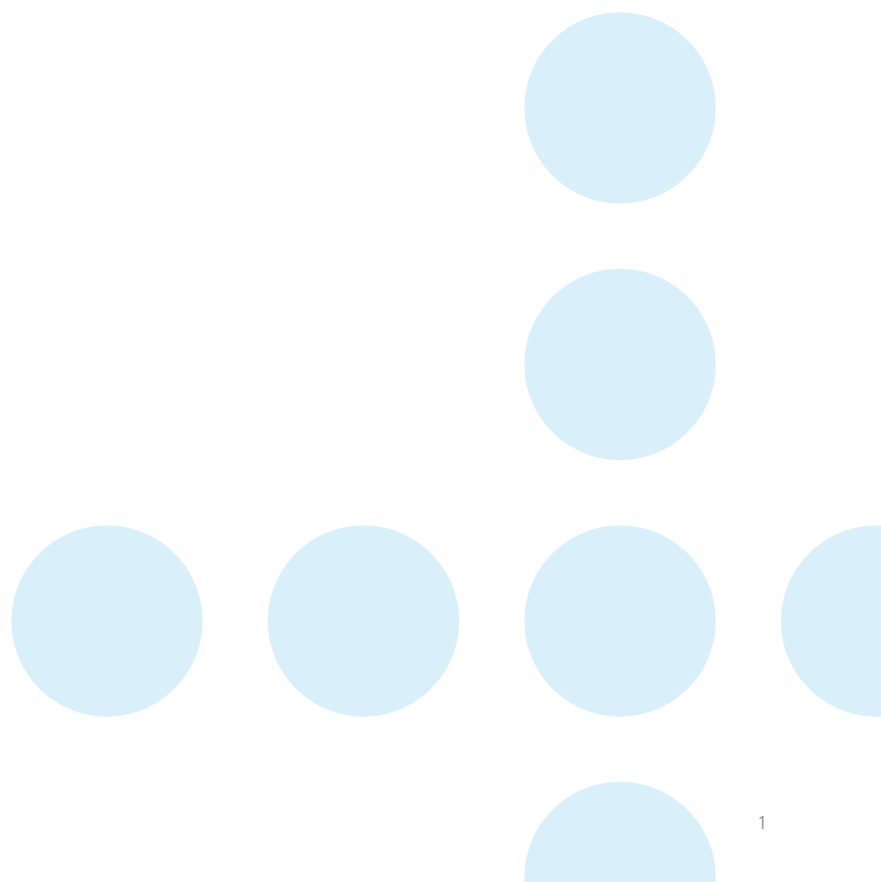
Hygienic, smart shower room and washroom concepts to improve quality of life have been the hallmark of the CONTI+ brand for over 45 years. With our innovative technologies, long-standing expertise, and comprehensive range of services, we offer optimum solutions to meet all our customers' needs for new build and refurbishment projects. Impressive, flexible all-round expertise.

From advanced electronic and mechanical shower and washbasin faucets to urinal flush valves and washbasins, as well as complete washroom equipment and disinfection concepts, we take an integrated approach with a strong focus on sustainability, hygiene and reliability. Our smart innovations in the field of electronics and user interfaces ensure maximum comfort, the best possible customer benefits and consistent protection of the environment.

Discover our comprehensive, unique range of products and services for shower room and washroom solutions – designed to ensure successful projects and satisfied customers!

Your

CONTI+ Team







# Introduction

---

CONTI+ Intelligent concepts for every application area





# SUSTAINABLE

## Forward thinking resource efficiency

We have been committed to sustainable operation and working in harmony with people and nature for many years. Factors which play a key role in the development of our CONTI+ shower systems include responsible use of water and energy, permanently low maintenance utilisation, and economic efficiency throughout the whole life cycle.

We also systematically prevent unnecessary environmental pollution by using uncoated stainless steel, materials with a low nickel/lead content, recyclable plastics and environmentally responsible disinfectants. This combination of cutting edge technology with efficient handling of resources ensures futureproof customer benefits.

The elements of the CONTI+ water saving concept include:



### CONTI+ CNX water management system

Setting, deactivation and programming of integrated shower systems, washbasin faucets and urinal controls



### CONTI+ Service APP

Individual control of shower systems, washbasin faucets and urinal controls for programming, direct triggering of functions, logging and reading data



### Convenient cleaning without additional water consumption

Thanks to cleaning stop



### Electronic water running time

Electronic automatic shut-off with adjustable water running times for reduced water consumption



### Mechanical water running time

Mechanical automatic shut-off with adjustable water running time for reduced water consumption



### Start/stop function to save water

Adjustable and/or automatic start/stop function to save water

# HYGIENIC

## Cleanliness for all-round safety

Hygiene requirements are increasing all the time, particularly in public, semi-public, commercial and industrial buildings – both nationally and internationally. We continually optimise our shower systems to meet these needs. Our comprehensive CONTI+ hygiene concept guarantees maximum safety in shower rooms and washrooms – for every application area. Our services include individual hygiene planning, use of hygienic materials and incorporating important functions such as sanitary flush and thermal disinfection.

A key aspect of our hygiene concept is the intelligent CONTI+ CNX water management system. This allows simple, clear management of up to 150 showers, washbasin faucets and urinal flush valves to ensure reliable implementation and documentation of all hygiene functions and operational actions.

Our innovative technologies and hygiene functions:



### Hygienic by reducing germs

Prevention or minimisation of germs through the use of germ inhibiting materials



### Hygiene flush

Automatic mixed water flush of electronic faucets – with demand-dependent triggering at intervals, time control or a calendar function, as required, either integrated in the CNX Water Management System or accessed via the Service APP



### Cold water flush

Cold water flush of electronic shower and wash basin faucets integrated into the CNX Water Management System or via the Service APP



### Thermal disinfection, manual

Thermal flush of faucets via a manually opened TD plug, integrated in the shower control



### Thermal disinfection, electronic

Thermal flush of faucets by means of a key-switch or as a calendar function in the CNX Water Management System or via the Service APP





# CONTI+ HYGIENE CONCEPT

---

## PREVENTIVE | PERMANENT | ACUTE

CONTI+ offers three elements for hygienic safety in shower rooms and washrooms:

**PREVENTIVE:** Consulting and support for planning, construction and maintenance.

**PERMANENT:** Efficient water management, professional maintenance and sampling.

**ACUTE:** Innovative solutions to restore hygiene after acute contamination – for safe operation, integration and monitoring of the products, either with the Cnx Water Management System or via the Service APP.

The elements of the CONTI+ hygiene service include:

- Separate thermal disinfection (manual/electronic), sanitary and cold water flush
- Microbiological decontamination of drinking water installations and swimming pool filter systems
- Hygienic installation with disinfection of tools, surfaces and components
- Concepts for human hygiene
- Disinfection of room air and air conditioning systems with cold fogging or air purification
- Comprehensive water management, drinking water hygiene tests and maintenance
- CONTI+ oXan™ disinfection solutions



#### Anti-scalding protection

Thermostatic mixer with anti-scalding protection ensures safety



#### Vandal protection

Shape, design and choice of materials ensure reliable operation and protection against vandalism



#### Cleaning stop

Cleaning stop via the RC switch (interruption of the trigger function by means of magnetic reed switch, directly at the point of use) or as a calendar function via the Service APP or integrated in the CNX

# SAFE

## Intelligent technology for the best protection

Safety is the top priority in the sanitary sector – leading to numerous legal and normative regulations for the installation and operation of shower systems, particularly in public, semi-public and commercial application areas.

Our CONTI+ solutions meet all these requirements. All our shower systems are fail-safe, reliable, and ensure maximum comfort for users and protection against inadvertent misuse.

We always take into account not only product safety, but also futureproofing. Thanks to our long-standing market presence and affiliation to a well-established Swiss group of companies, together with our in-house customer service and reliable availability of spare parts, CONTI+ customers can count on safety at all times – now and in future.

The elements of the CONTI+ safety concept include:

- **Safe water quality** thanks to approved materials, smart – in some cases patented – designs and technology, innovative hygiene functions and measures
- **Vandal protection** for reliable operation, based on special construction and design, internal components and robust materials
- **Cleaning stop** effectively prevents unwanted triggering of water flow, which protects cleaning personnel
- **Certification** through independent assessment e.g. WRAS, DVGW and Watermark
- **Premium quality** with all systems 100 % tested, including functional test and spare parts warranty
- Integral **thermostatic anti-scalding protection** to EN 1111 for optimum safety

Anti-scalding protection:  
cartridge closes if cold water  
supply fails

Vandal-proof temperature control:  
Fixing on the CONGENIAL faucet body,  
providing protection against damage  
to the cartridge



# SMART

## Water management has never been so easy

With the national and international hygiene requirements for drinking water installations growing more stringent, smart water management systems are becoming increasingly important.

CONTI+ has a long history of developing smart solutions for central management, control and monitoring of devices and components for shower systems.

From individual faucets to complete systems with up to 150 CONTI+ faucets, our intelligent technologies allow very easy and reliable management of all operating, documentation and safety functions, such as convenient automation of rinses, setting operating periods for thermal disinfection and setting operation stops or cleaning stops. This ensures more comfort and outstanding hygiene.

The elements of the CONTI+ smart concept include:

- **CONTI+ CNX water management system:** for integration of up to 150 CONTI+ faucets – to meet the most demanding hygiene requirements
- **CONTI+ Service APP:** convenient control of individual shower systems, washbasin faucets and urinal controls with programming, logging and data documentation via BLE Converter connection



### CONTI+ CNX water management system

Faucets can be integrated into the CNX water management system for central control and logging of actions and functions of individual faucets and groups of faucets



### CONTI+ Service APP

Individual control of individual shower systems, washbasin faucets and urinal controls for programming, direct triggering of functions, logging and reading data







CNX

## Smart Service

---

For every CONTI+ system

For all our smart shower system solutions, we offer expert consulting and comprehensive technical support perfectly suited to your specific project at all times:

- Commissioning of CONTI+ CNX water management systems (up to 64/150 faucets)
- Inspection and/or wiring work on CONTI+ faucets and associated control units
- Training of operating staff in the operation, functions and maintenance of all CONTI+ system components
- Maintenance contracts and services for regular checks
- Online support in the form of installation videos and training



FUNCTIONAL OPTIONS			
Areas of application	Hygiene functions		
	PREVENTATIVE*	PERMANENT*	ACUTE*
PRODUCT GROUP			
CNX Water Management System	<ul style="list-style-type: none"> <li>• Cold flush</li> <li>• Hygiene flush</li> <li>• Thermal flush</li> <li>• Documented success monitoring hygiene functions</li> </ul>	<ul style="list-style-type: none"> <li>• Cold flush</li> <li>• Hygiene flush</li> <li>• Thermal flush</li> <li>• Documented success monitoring hygiene functions</li> </ul>	<ul style="list-style-type: none"> <li>• Cold flush</li> <li>• Hygiene flush</li> <li>• Thermal flush</li> <li>• Documented success monitoring hygiene functions</li> </ul>
Service APP	<ul style="list-style-type: none"> <li>• Cold flush</li> <li>• Hygiene flush</li> <li>• Documented success monitoring hygiene functions</li> </ul>	<ul style="list-style-type: none"> <li>• Cold flush</li> <li>• Hygiene flush</li> <li>• Documented success monitoring hygiene functions</li> </ul>	<ul style="list-style-type: none"> <li>• Cold flush</li> <li>• Hygiene flush</li> <li>• Documented success monitoring hygiene functions</li> </ul>
Showers, electronic piezo pushbutton or E-control	<ul style="list-style-type: none"> <li>• Cold flush</li> <li>• Hygiene flush</li> <li>• Thermal flush</li> <li>• Materials suitable for drinking water</li> </ul>	<ul style="list-style-type: none"> <li>• Cold flush</li> <li>• Hygiene flush</li> <li>• Thermal flush</li> <li>• Materials suitable for drinking water</li> </ul>	<ul style="list-style-type: none"> <li>• Cold flush</li> <li>• Hygiene flush</li> <li>• Thermal flush</li> </ul>
Showers, mechanical	<ul style="list-style-type: none"> <li>• Optional hygiene flushing via central key switch</li> <li>• Mechanical thermal flush by manual TD plugs</li> <li>• Optional electronic thermal flush via central key switch</li> <li>• Materials suitable for drinking water</li> </ul>	<ul style="list-style-type: none"> <li>• Optional hygiene flushing via central key switch</li> <li>• Mechanical thermal flush by manual TD plugs</li> <li>• Optional electronic Thermal flush via central key switch</li> <li>• Materials suitable for drinking water</li> </ul>	<ul style="list-style-type: none"> <li>• Optional hygiene flushing via central key switch</li> <li>• Mechanical thermal flush by manual TD plugs</li> <li>• Optional electronic thermal flush via central key switch</li> </ul>
Washbasin taps, electronic piezo pushbutton	<ul style="list-style-type: none"> <li>• Hygiene flush</li> <li>• Materials suitable for drinking water</li> </ul>	<ul style="list-style-type: none"> <li>• Hygiene flush</li> <li>• Materials suitable for drinking water</li> </ul>	<ul style="list-style-type: none"> <li>• Hygiene flush</li> </ul>
Washbasin taps, electronic IR sensors	<ul style="list-style-type: none"> <li>• Hygiene flush</li> <li>• Touch-free operation</li> <li>• Materials suitable for drinking water</li> </ul>	<ul style="list-style-type: none"> <li>• Hygiene flush</li> <li>• Touch-free operation</li> <li>• Materials suitable for drinking water</li> </ul>	<ul style="list-style-type: none"> <li>• Hygiene flush</li> </ul>
Washbasin taps, mechanical	<ul style="list-style-type: none"> <li>• Contact free water shut off</li> <li>• Materials suitable for drinking water</li> </ul>	<ul style="list-style-type: none"> <li>• Contact free water shut off</li> <li>• Materials suitable for drinking water</li> </ul>	–
Urinal faucets, electronic	<ul style="list-style-type: none"> <li>• Hygiene flush</li> <li>• Touch-free operation</li> </ul>	<ul style="list-style-type: none"> <li>• Hygiene flush</li> <li>• Touch-free operation</li> </ul>	<ul style="list-style-type: none"> <li>• Hygiene flush</li> </ul>
Sanitary equipment, electronic IR sensors	<ul style="list-style-type: none"> <li>• Touch-free operation</li> </ul>	<ul style="list-style-type: none"> <li>• Touch-free operation</li> </ul>	–
Sanitary equipment, mechanical	–	–	–
Shower heads	<ul style="list-style-type: none"> <li>• Low aerosol</li> <li>• Materials suitable for drinking water</li> </ul>	<ul style="list-style-type: none"> <li>• Low aerosol</li> <li>• Materials suitable for drinking water</li> </ul>	<ul style="list-style-type: none"> <li>• Low aerosol</li> </ul>
Spa & wellness	<ul style="list-style-type: none"> <li>• Materials suitable for drinking water</li> </ul>	<ul style="list-style-type: none"> <li>• Materials suitable for drinking water</li> </ul>	–
Washbasins	<ul style="list-style-type: none"> <li>• Pore-free surface</li> <li>• Models without overflows</li> </ul>	<ul style="list-style-type: none"> <li>• Pore-free surface</li> <li>• Models without overflows</li> </ul>	–
Disinfection solutions	<ul style="list-style-type: none"> <li>• Keeping drinking water installations, tools, components, surfaces, hands and room air free of germs</li> </ul>	<ul style="list-style-type: none"> <li>• Keeping drinking water installations, tools, components, surfaces, hands and room air free of germs</li> </ul>	<ul style="list-style-type: none"> <li>• Disinfection of water installations, tools, components, surfaces, hands and room air</li> </ul>

\* **PREVENTATIVE** in planning, construction and maintenance | **PERMANENT** in operation and in the event of risk | **ACUTE** for acute contamination and danger due to delay

# Icon descriptions

## Overview on icon descriptions and functions of CONTI+ products

Our products are characterized by special functions. From VARIOconnect and the hygienic flush function to Service Monitor compatibility, there are many useful features that predestine the products especially for use in public, semi-public and commercial sanitary rooms.



### CNX Water Management System

Central faucet management to ensure the hygienic functions of showers, lavatory faucets and urinal flush valves



### Scald protection

The thermostatic mixing device with scald protection ensures safety during the shower



### CONTI+ Service APP

Individual valve control of shower, washbasin and urinal valves for programming, direct function triggering, logging and reading out data



### VARIOconnect

The multi-functional interface VARIOconnect offers a variety of connection options for power supplies and data connection



### Hygiene flush

Automatic mixed water flush of electronic faucets – with demand-dependent triggering at intervals, time control or a calendar function, as required, either integrated in the CNX water management system or accessed via the Service APP



### Start/Stop function

Piezo switch with start/stop function and an adjustable, automatic water stop



### Thermal disinfection, electronic

Thermal flush of faucets by means of a key-switch or as a calendar function in the CNX water management system or via the Service APP



### Push and turn button

electronic control unit E-control, push/turn button for mixing and start/stop function



### Thermal disinfection, manual

Thermal flush of faucets via a manually opened TD plug, integrated in the shower control



### Self-closing function

Mechanical self-closing function



### Cold water flush

Cold water flush of electronic shower and wash basin faucets integrated into the CNX Water Management System or via the Service APP



### Touchless function

Infrared sensor to trigger the water flow



### Hygienic flush via key switch

Activation of the hygienic flush via a potential-free input with key switch



#### Cleaning stop

Cleaning stop via the RC switch (interruption of the trigger function by means of magnetic reed switch, directly at the point of use) or as a calendar function via the Service APP or integrated in the CNX



#### CONCASH 2.0

Controlled paid water release via coins. Connecting of shower panels or concealed showers



#### DN15

Nominal size or connection dimension DN15 or 1/2"



#### Fresh water station

Generation of warm drinking water directly in the shower panel via plate heat exchanger



#### Frost protection

Optional frost protection cable that provides protection against frost damage



#### Instantaneous Water Heater HCFS

The electronically controlled small instantaneous water heater for single washbasin taps

## Additionally ...

#### Click-plus function key

With the Click-plus function key the cleaning respectively fill mode can be activated and the water follow-up time and sensor sensitivity can be set. The hygienic flush is also easily adjustable.



#### Click function key

The water follow-up time, sensor sensitivity and hygienic flush are adjustable with the sunk Click function key.



#### Touch function key

The cleaning or filling mode can be activated with the Touch function key and the water follow-up time and sensor sensitivity can be set. The hygienic flush is also easily adjustable.

#### New products

Shows the CONTI+ novelties of the year





HOME

System START

SHOWER

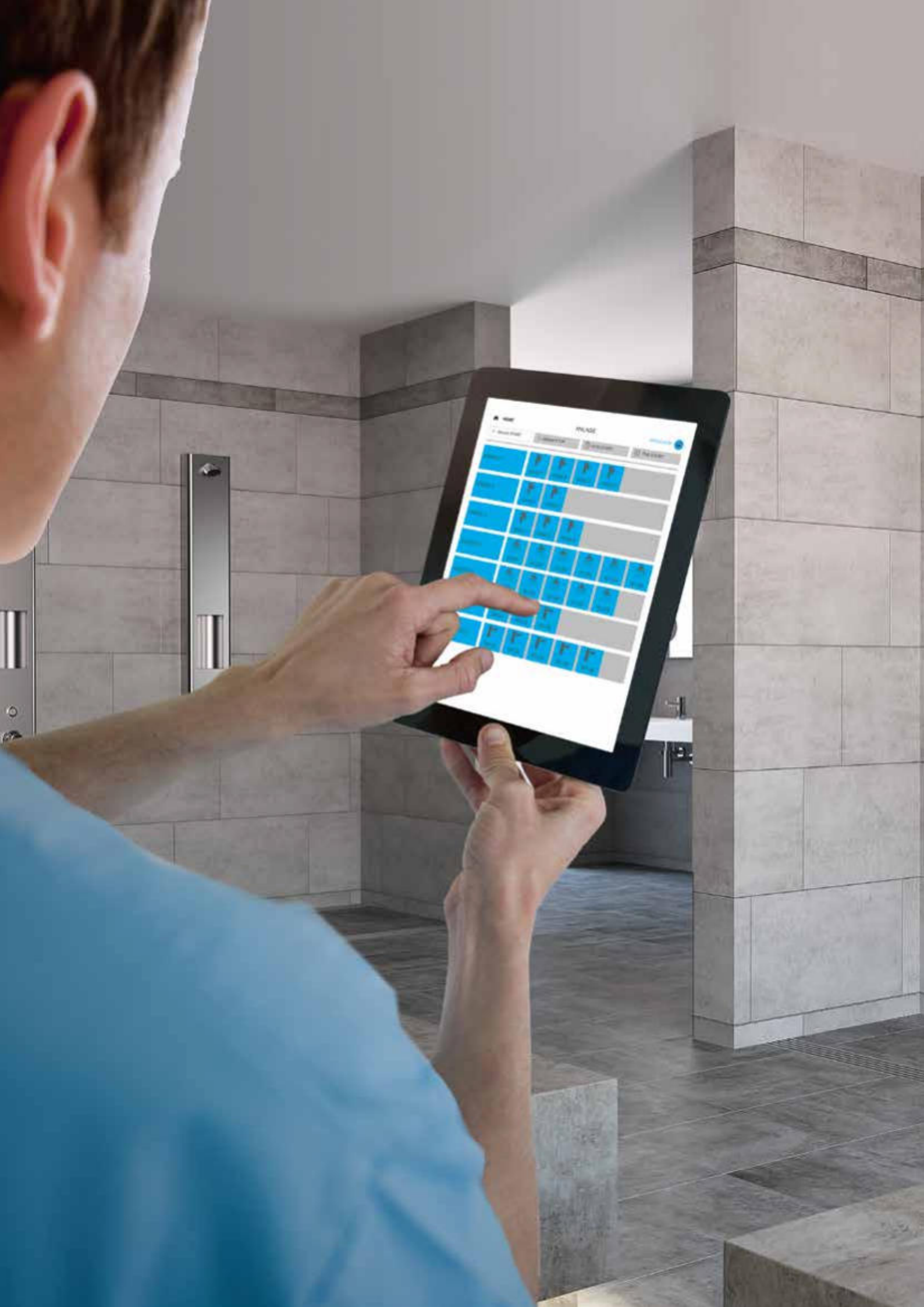
LIFTBALL

WASCHBECKEN FUNKT

# WATER MANAGEMENT

CONTI+ CNX Water Management System & Service APP









## CNX Water Management System

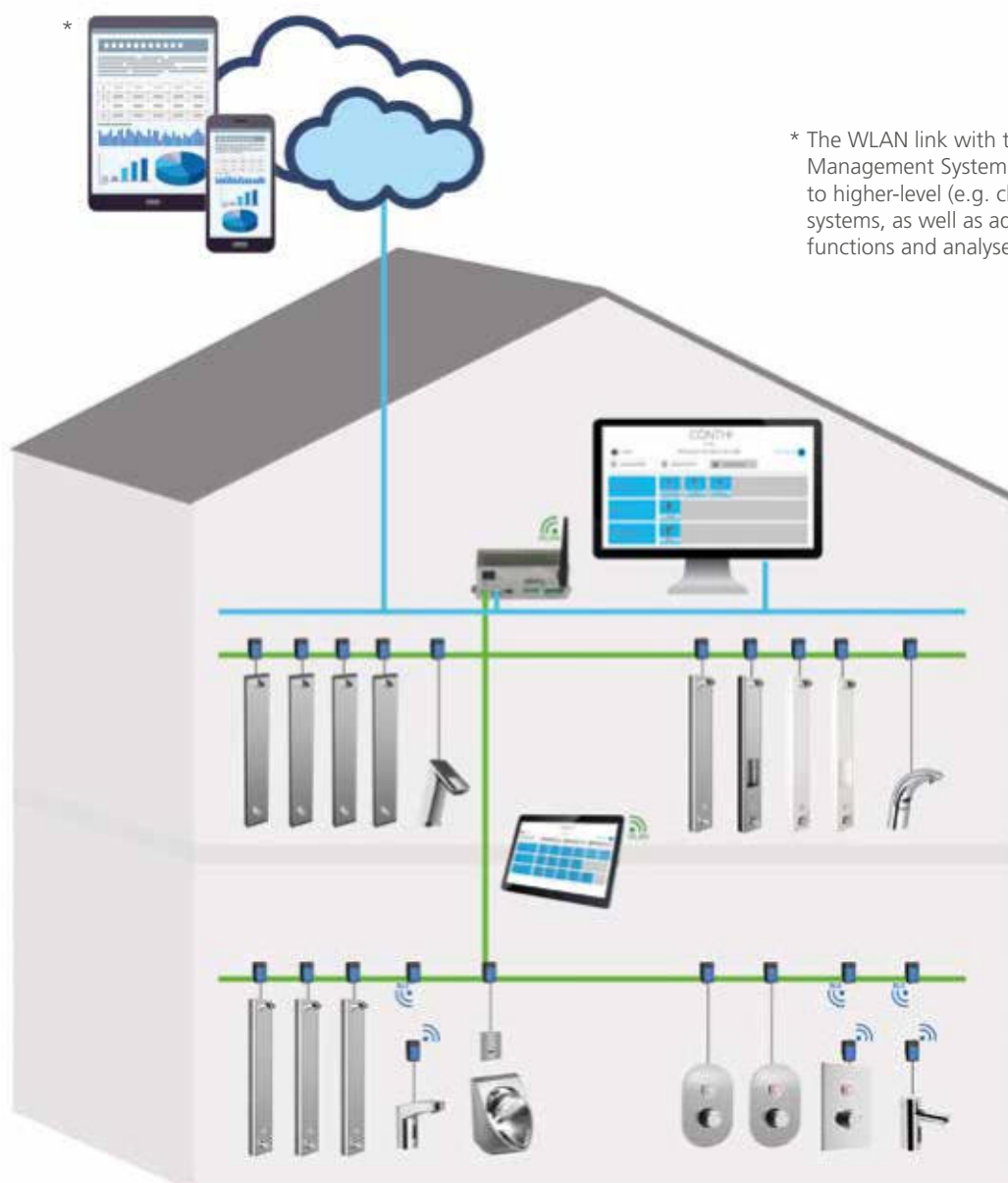
System description .....	20
Central control unit .....	26
Converter .....	29
Cable .....	29

# CNX Water Management System

## CNX Water Management System applications

Especially suitable for buildings that require drinking water installations offering high functionality and levels of hygiene, such as:

- Swimming pools
- Schools and sports arenas
- Army barracks
- Hotels
- Doctor's surgeries, hospitals, care and retirement homes
- Drinking water installations in the commercial sector and administrative buildings
- Sanitary facilities with specific non-standard operating requirements



\* The WLAN link with the CNX Water Management System allows connection to higher-level (e.g. cloud based) systems, as well as additional functions and analyses

## CONTI+ Network eXchange (CNX)

The CNX product series - new, top-of-the-range, modular and electronic. Proven CONTI+ showers, as well as lavatory faucets and urinal flush valves from the CONTI+ range, can all be linked to networks.

Intelligent technical building systems that can connect and control components of the drinking water installation are becoming ever more important.

The CNX controller enables the centralised control of up to 150 devices within a range of up to 350 metres. Via wireless operation, using the tablet included in the standard delivery, it is possible to change settings, call up status information, activate individual and group functions and access recorded data. Reports are saved in PDF format and can be printed and sent easily.

## Wireless Water Management

The web server integrated into the CNX controller provides a user friendly overview of all networked devices in the building.

Devices that have been linked to the network can be located and controlled via a WLAN connected tablet or laptop, either individually or in groups. Current operating status, forthcoming action and notifications are all clearly visible on the display.

When online, each faucet receives updates automatically; when offline, updates can be implemented via tablet, for example. All internet-enabled devices can be operated via web browser, regardless of the operating system installed.



### Advantages of CNX Water Management System:

- One controller for up to 150 devices
- Integration of electronic devices from the CONTI+ range
- Generous network topology (up to 350 m)
- Electrical installation – low cost, in a linear, star or tree layout
- Based on stable KNX technology
- Tablet included
- intuitive, straightforward user interface
- Data transferred via LAN, WLAN
- Lifecycle data storage
- Reports in PDF format or CSV format, saved to SD card
- No loss of data in the event of a power cut
- Connecting to building management systems
- Supports and ensures correct operation within the drinking water installation
- Protected against short circuit and reverse polarity
- Easy integration and installation tailored to individual requirements; user-friendly service
- Device monitor

# Simply, fast and secure

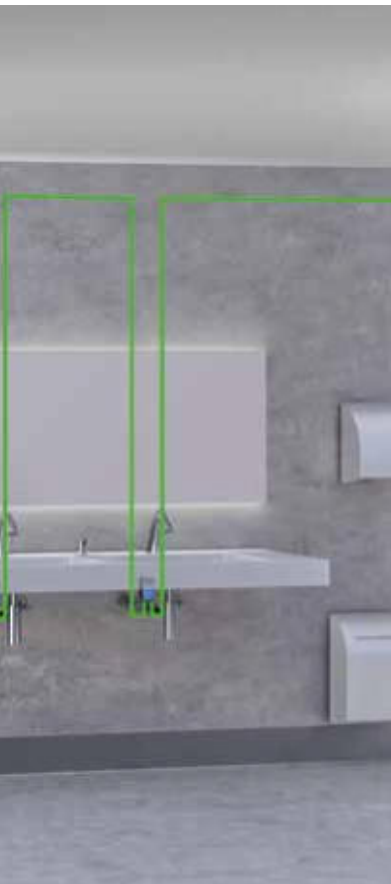


## Topology

The topology offers an easy networking for all devices: individually in a linear-, star- or tree layout. Neither terminators nor special bus cables are required. The standard cables, piped in empty conduits or flush-mounted, are quickly connected to the waterproof single-wire terminals. Additional shielding of cable is not required.



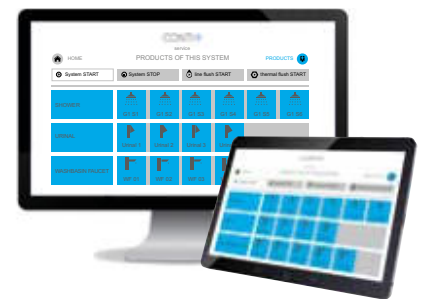
Note: Topology not for CONPRIMUS



What is undoubtedly essential, however, is that the correct temperature, water replacement and flow rate are provided and maintained. These interacting parameters are regarded as the ones which have the most significant effect on the hygiene quality of drinking water at a microbiological level, according to generally accepted local engineering standards. The CNX Water Management System actively influences these parameters.

## Hygienic flush

While hygiene is an important issue, centralised control is a must. The settings for flush duration, interval and water follow-up time for every tap installed in the system can be set via a mobile device or PC thanks to the CNX system.



## Thermal disinfection

Safety is the buzzword for thermal disinfection. As a result, the system only permits the thermal flushing procedure to be triggered at defined times that can be controlled via the tablet, in line with the technical standards. The complete process is monitored, recorded and can be printed.

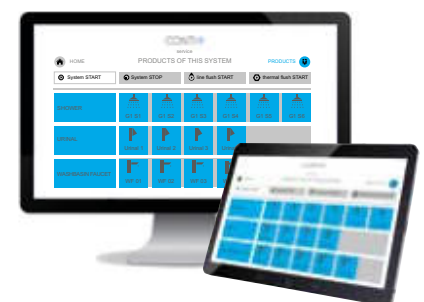


...

CNX Control unit 30V DC

## Faucet management

Devices can be added, reassigned within groups or moved thanks to a clearly structured menu. An overview of parameters set for each faucet can be viewed on the tablet.

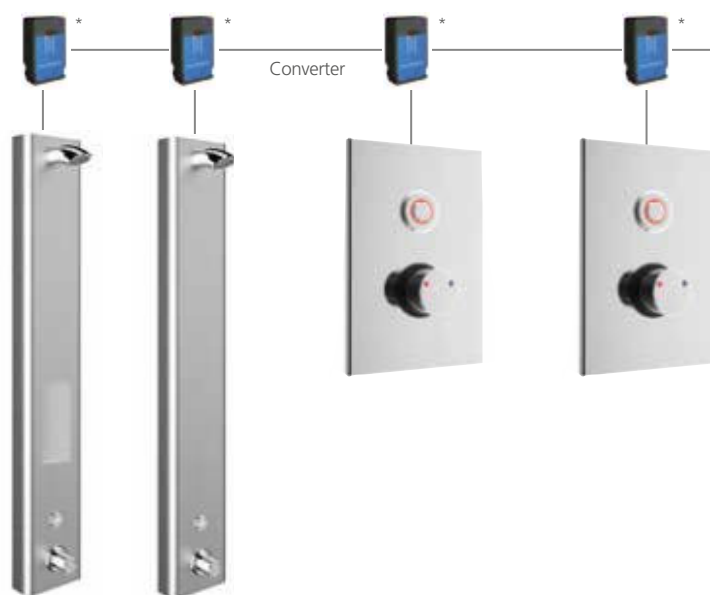


# Application example

## ROOM 1

### Showers

- With thermostat
- Thermal disinfection (TD) via bypass solenoid valve
- Temperature measurement and logging for thermal disinfection
- Connection to the CNX Water Management System via cable (LAN) or in further expansion wireless (WLAN)
- Cable connection via converter for power supply and data transmission



## ROOM 2

### Urinal flush valves and lavatory faucets

- With IR sensor
- Action log (e.g. for hygienic flush)
- Connection to the CNX Water Management System via cable (LAN) or in further expansion wireless (WLAN)
- Cable connection via converter for power supply and data transmission





## Central control unit CNX 64 or CNX 150

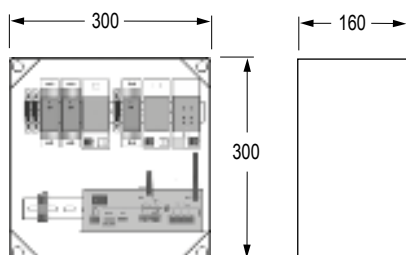
- Control and data recording
- Device and data management
- Service and management functions
- Web server for browser display (tablet, smartphone, PC, Laptop ...)
- Depending on selected model up to 64 or 150 devices
- SD card slot for data backup
- 6x I/O Ports
- USB for Service Wireless Adapter
- Internet connection via LAN (for remote maintenance and software updates)
- Power supply
- Optional connection key switch



## Software control and operating unit

- Operating unit: tablet (included in delivery) or smartphone, laptop, PC via web browser
- Display of the control panel via web browser
- Intuitive, modern smartphone menu navigation and operation of all functions (see system description)

## Central control unit CNX 150



## Central control unit CNX 150

Power supply and control for max. 150 CNX devices, including separate tablet PC as central operating unit, with integrated web server, browser address for integration, adjustment, control, monitoring and logging of all devices. Data transmission via LAN and WLAN, wired ready for connection, connection cable with Schuko plug, suitable for wall mounting. Generous variable line topology up to 350 m in flexible line, star or tree structure

## Feature Overview:

- Water flow time: adjustment for normal operation, hygienic flush and thermal disinfection
- Hygienic flush: choice, setting and combination options (manual, usage and calendar-dependent)
- Thermal disinfection: automatic, variable execution, with temperature logging in PDF format with optional temperature sensors
- Cleaning shutdown: manual or optional via external contact
- Operating and fault messages stored in PDF format
- Voltage supply unit

## Consisting of:

- Housing: made of plastic with door, RAL 7035
- CNX controller with proprietary robust bus system, with LAN connection as well as WLAN antenna, SD card for lifelong data backup, potential-free inputs for: Start of the thermal flush for disinfection (TD), TD successful message, collective error message, inputs for TD abort, deactivation shower operation and acknowledgment collective error message
- Tablet: with menu-driven innovative user interface, integrated clock- and calendar function
- Tablet functions: integration, administration, operation, querying, setting and monitoring of the entire system, groups or individual devices locally via touch screen and Internet web browser, with user logon, export function of system and status logs

Input voltage:	230 V / 50 Hz
Output voltage:	26 - 28 V/DC
Current consumption:	2A
Power consumption max:	0,1 kW
Communication:	1 x USB, 1 x Ethernet, web server for a web client
Protection class:	I
Protection type:	IP 65
Dimensions (WxHxD):	300x300x160 mm

The electrical wiring may only be carried out by a qualified electrician

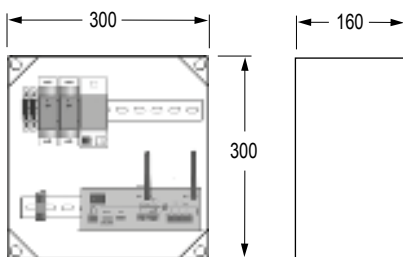
**Required accessories:**

CONO220000 connecting line

Description	Version	Article number
Central control unit CNX 150	Up to 150 devices	<b>CONO151000</b>



# Central control unit CNX 64



## Central control unit CNX 64

Power supply and control for max. 64 CNX devices, including separate tablet PC as central operating unit, with integrated web server, browser address for integration, adjustment, control, monitoring and logging of all devices. Data transmission via LAN and WLAN, wired ready for connection, connection cable with Schuko plug, suitable for wall mounting. Generous variable line topology up to 350 m in flexible line, star or tree structure

### Feature Overview:

- Water flow time: adjustment for normal operation, hygienic flush and thermal disinfection
- Hygienic flush: choice, setting and combination options (manual, usage and calendar-dependent)
- Thermal disinfection: automatic, variable execution, with temperature logging in PDF format with optional temperature sensors
- Cleaning shutdown: manual or optional via external contact
- Operating and fault messages stored in PDF format
- Voltage supply unit

### Consisting of:

- Housing: made of plastic with door, RAL 7035
- CNX controller with proprietary robust bus system, with LAN connection as well as WLAN antenna, SD card for lifelong data backup, potential-free inputs for: Start of the thermal flush for disinfection (TD), TD successful message, collective error message, inputs for TD abort, deactivation shower operation and acknowledgment collective error message
- Tablet PC: with menu-driven innovative user interface, integrated clock- and calendar function
- Tablet functions: integration, administration, operation, querying, setting and monitoring of the entire system, groups or individual devices locally via touch screen and Internet web browser, with user logon, export function of system and status logs

Input voltage: 230 V / 50 Hz  
 Output voltage: 26 - 28 V/DC  
 Current consumption: 2A  
 Power consumption max: 0,1 kW  
 Communication: 1 x USB, 1 x Ethernet, web server for a web client  
 Protection class: I  
 Protection type: IP 65  
 Dimensions (WxHxD): 300x300x160 mm

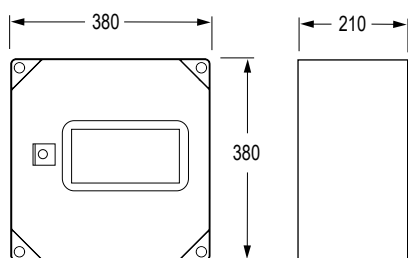
The electrical wiring may only be carried out by a qualified electrician

### Required accessories:

CONO220000 connecting line

Description	Version	Article number
Central control unit CNX 64	Up to 64 devices	<b>CONO141000</b>

## Central control unit CNX 64 mit Touch-Display



### Central control unit CNX 64 with touchscreen

Power supply and control for max. 64 CNX devices, including touchscreen as central operating unit, with integrated web server, browser address for integration, adjustment, control, monitoring and logging of all devices. Data transmission via LAN and WLAN, wired ready for connection, connection cable with Schuko plug, suitable for wall mounting. Generous variable line topology up to 350 m in flexible line, star or tree structure

#### Feature Overview:

- Water flow time: adjustment for normal operation, hygienic flush and thermal disinfection
- Hygienic flush: choice, setting and combination options (manual, usage and calendar-dependent)
- Thermal disinfection: automatic, variable execution, with temperature logging in PDF format with optional temperature sensors
- Cleaning shutdown: manual or optional via external contact
- Operating and fault messages stored in PDF format
- Voltage supply unit

#### Consisting of:

- Housing: made of plastic with door, RAL 7035
- CNX controller with proprietary robust bus system, with LAN connection as well as WLAN antenna, SD card for lifelong data backup, potential-free inputs for: Start of the thermal flush for disinfection (TD), TD successful message, collective error message, inputs for TD abort, deactivation shower operation and acknowledgment collective error message
- Touchscreen: with menu-driven innovative user interface, integrated clock- and calendar function
- Touchscreen: integration, administration, operation, querying, setting and monitoring of the entire system, groups or individual devices locally via touch screen or Internet web browser, with user logon, export function of system and status logs

Input voltage: 230 V / 50 Hz  
 Output voltage: 26 - 28 V/DC  
 Current consumption: 2A  
 Power consumption max: 0,1 kW  
 Communication: 1 x USB, 1 x Ethernet, web server for a web client  
 Protection class: I  
 Protection type: IP 65  
 Dimensions (WxHxD): 300x300x160 mm


The electrical wiring may only be carried out by a qualified electrician


#### Required accessories:

CONO220000 connecting line


Description	Version	Article number
Central control unit CNX 64 with touchscreen	Up to 64 devices	<b>CONO144918</b>

## CNX Converter

	<b>CNX Converter 6V</b> To integrate CONTI+ faucets (with the exception of CONPRIMUS and lino PRIMUS upright faucet L40) into the CNX Water Management System, by means of waterproof quick connectors (not included in the scope of delivery), connecting cable and plug, conversion of the input signal from 30V to 6 / 12V.	
	Operating voltage: 30 V/DC Input: Approx. 17 mA Protection: IP68	<b>Notice:</b> CONO214641 includes: <ul style="list-style-type: none"> <li>• Flush-mounted socket for masonry</li> <li>• Flush-mounted socket for dry construction</li> </ul>
Description	Material	Article number
CNX Converter 6V	Plastic	<b>CONO210000</b>
CNX Converter for flush-mounted socket 6V	Plastic	<b>CONO214641</b>

	<b>CNX Converter 12V</b> To integrate CONTI+ faucets CONPRIMUS and lino PRIMUS upright faucet L40 into the CNX Water Management System, by means of waterproof quick connectors (not included in the scope of delivery), connecting cable and plug, conversion of the input signal from 24V to 12V.	
	Operating voltage: 12 V/DC Input: Approx. 17 mA Protection: IP68	<b>Notice:</b> CONO211012 includes: <ul style="list-style-type: none"> <li>• Flush-mounted socket for masonry</li> <li>• Flush-mounted socket for dry construction</li> </ul>
Description	Material	Article number
CNX Converter 12V (CONPRIMUS)	Plastic	<b>CONO210012</b>
CNX Converter for flush-mounted socket 12V	Plastic	<b>CONO211012</b>

## Cable J-Y(St)Y

	<b>Cable J-Y(St)Y, 2x2x0,8 mm</b> For electrical wiring of CONTI+ showers, lavatory faucets and urinal flush valves	
	Outside coat: PVC, grey Outer diameter: 7 mm Temperature range: -30 °C to 70 °C, shielding by foil	
Description	Packaging unit	Article number
Cable J-Y(St)Y, 2x2x0,8 mm	100 m	<b>CONO220000</b>



10:10

# OVERVIEW

CONTI

100%

100 %  
BATTERY STATUS  
1247 Days  
TIME OF OPERATION  
8705  
NUMBER OF ACTIVATIONS  
190 min  
TOTAL WATER RUNTIME  
570 l  
ACCUMULATED WATER USAGE



## WATER START/ STOP

Frankfurt  
LOCATION 1

Hall 4.0, Stand B45  
LOCATION 2

Washbasin left  
LOCATION 3

2.5.3  
HARDWARE VERSION

2.1  
SOFTWARE VERSION

3267843  
SERIAL NUMBER

0469  
PARAMETER SET

1.5 l/min  
CONFIRM FLOW





## Service APP

BLE Converter for Service APP ..... 35

# CONTI+ Service APP

## Intuitive APP based control of individual faucets

Both new and existing drinking water installations need to meet numerous hygiene requirements – in Germany, for example, the German Drinking Water Ordinance (TrinkwV) 2018. With our CONTI+ Service APP, we offer an effective means to extend the necessary programming, logging and documentation of the required hygiene measures to the control units of the individual faucets.

The Service APP allows convenient management of CONTI+ shower panels, concealed showers, washbasin and urinal faucets. Thanks to the user friendly and intuitive interface, faucets can be identified and selected for very straightforward management, programming and data readings.

The APP guides users systematically and logically through all menu items and

features so that they can program sanitary rinses, check and set water running times, optimise sensor ranges, save settings and usage data, and more. Used in conjunction with the BLE Converter, secure communication is established via Bluetooth® between the faucet and the required device (e.g. smartphone or tablet). All this can be done wirelessly, easily, intelligently and securely.

## FEATURES



### Bluetooth®

Wireless communication between Service APP and faucets via the BLE Converter



### Intuitive operation

License management feature, software interface, analyses and graphics

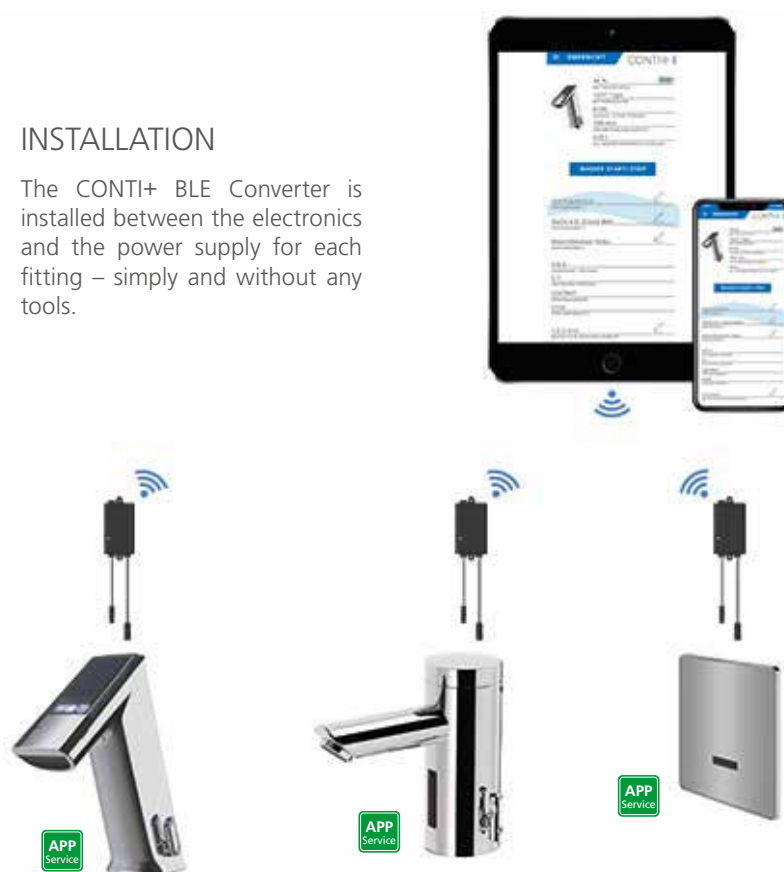


### Extensive services

Programming, logging and maintenance

## INSTALLATION

The CONTI+ BLE Converter is installed between the electronics and the power supply for each fitting – simply and without any tools.





## FUNCTIONALITIES

### Displays & evaluations per valve:

- Battery status
- Operating hours
- Number of uses
- Number of hygiene flushings
- Water consumption

### Parameter settings per valve:

- Water run time & water after-run time
- Filling mode & cleaning stop
- Mode & running time of the flush
- Restart delay
- Sensor range stages
- Information on the installation point
- Time-controlled hygiene flush, one flush time per each weekday
- Interval-use dependent hygiene flushing
- Max. water running time (safety shutdown)
- Data for the calculation of water consumption
- Password protection can be activated







# BLE Converter for Service APP



## BLE Converter for CONTI+ Service APP

To build up a Bluetooth® connection between CONTI+ faucets and a mobile control unit as smartphone or tablet. Smart faucet connection via CONTI+ Service APP.

### Displays & evaluations per valve:

- Battery status and operating hours
- Number of uses
- Number of hygiene flushings
- Water consumption
- Max. water temperature (only in special cases)

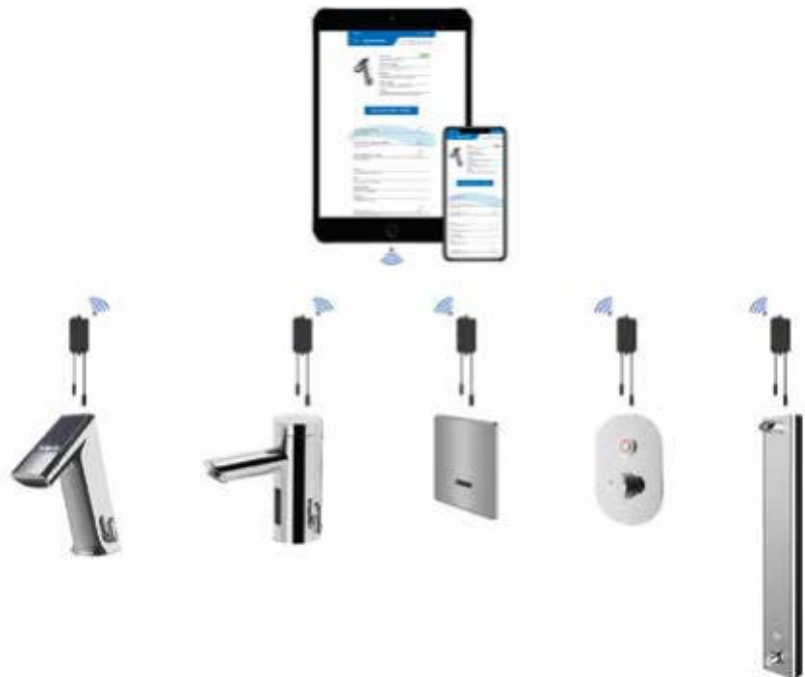
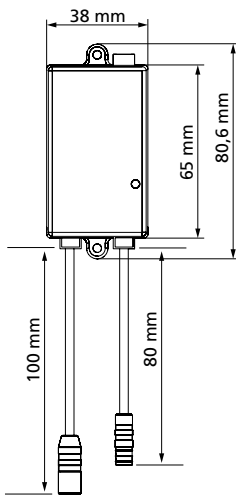
### Parameter settings per valve:

- Water run time & water after-run time
- Filling mode & cleaning stop
- Mode & running time of the flush
- Restart delay
- Sensor range stages
- Information on the installation point
- Time-controlled hygiene flush, one flush time per each weekday
- Interval-use dependent hygiene flushing
- Max. water running time (safety shutdown)
- Data for the calculation of water consumption
- Password protection can be activated

### Technical data:

Bluetooth® low energy  
 Operating voltage: 6-12 V/DC  
 Protection: IP68

The CONTI+ Service APP (Android and iOS) is available for all CONTI+ products (washbasin faucets with extended connection cable, mains and VARIOconnect versions) in the current price list manufactured as of 2018.



Description	Colour	Article number
BLE Converter	Black	CONO260000



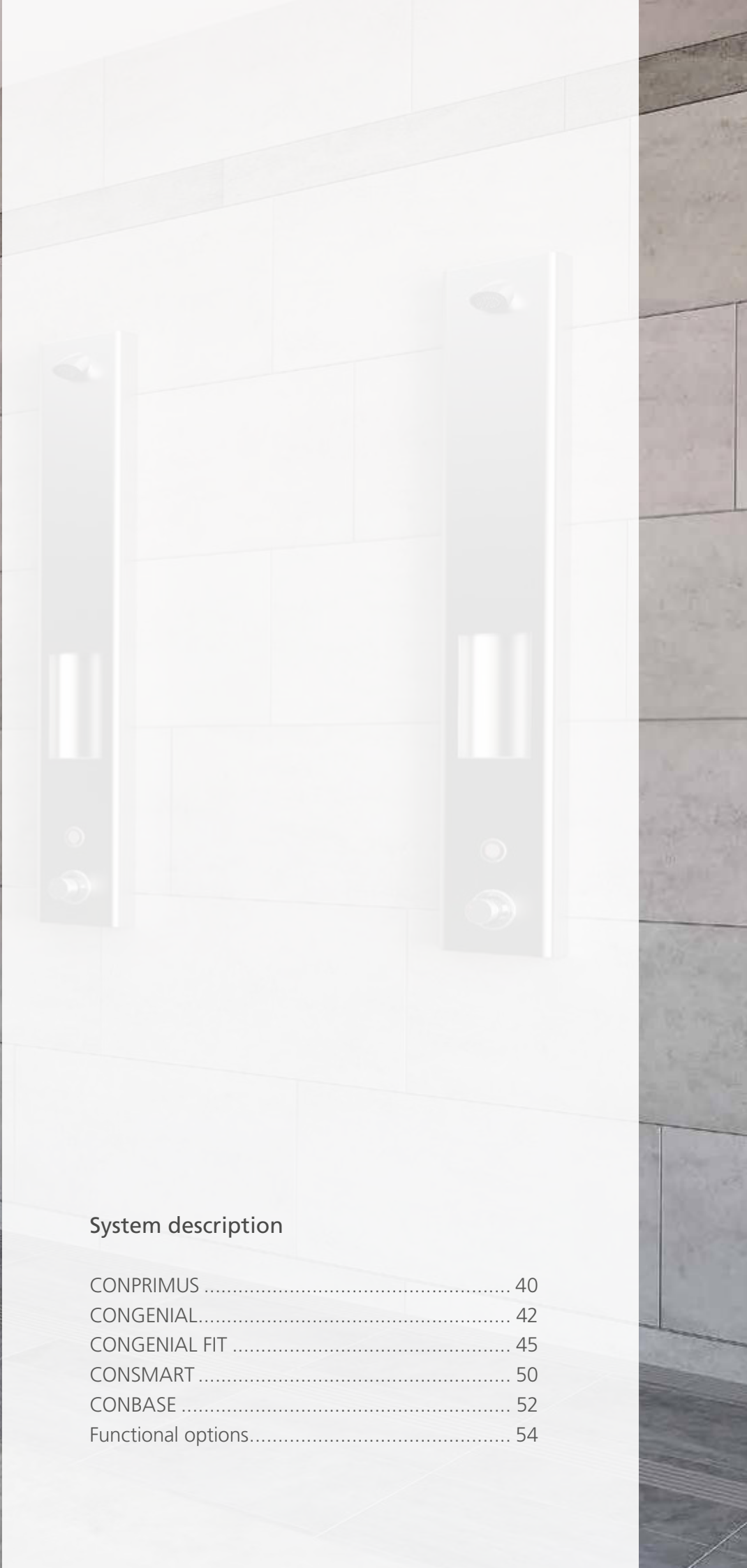
# SHOWER SOLUTIONS

---

Refreshing systems for every room and situation







## System description

CONPRIMUS .....	40
CONGENIAL.....	42
CONGENIAL FIT .....	45
CONSMART .....	50
CONBASE .....	52
Functional options.....	54

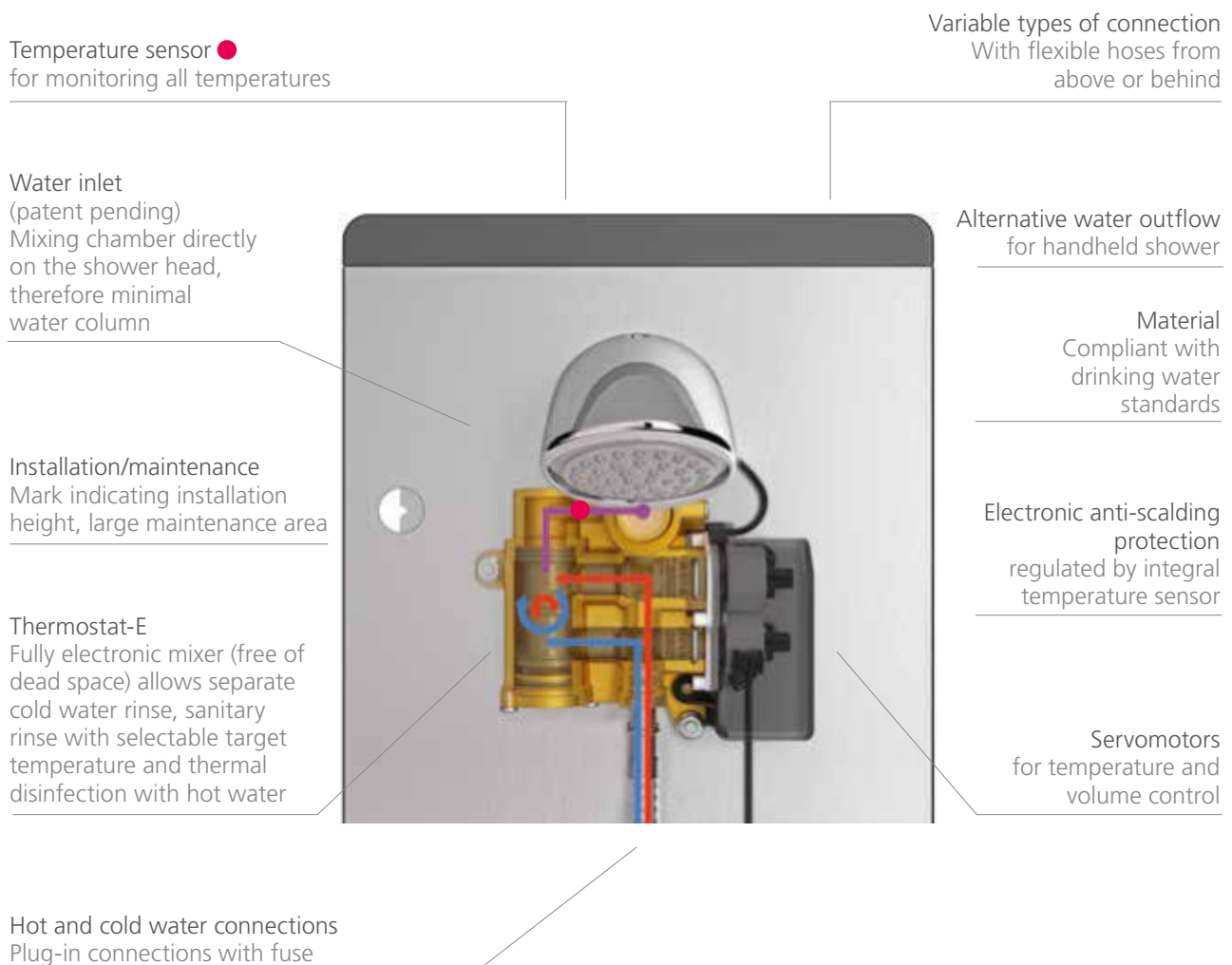
# System description CONPRIMUS

## E-Thermostat water path CONPRIMUS

### CONPRIMUS - Hygiene at high level.

When choosing a shower panel based on the CONTI+ E-Thermostat CONPRIMUS there is a main hygiene innovation - the thermostatic mixing at the height of the shower head. A very short standing water column which successfully prevent the mixed water for microbiological contamination. The E-Thermostat water path CONPRIMUS combines hygiene functions like cool hygiene and thermal flush with safety function of electronic scalding protection. Smart water management of E-Thermostat water path CONPRIMUS by CONTI+ Service APP or integration into CNX.

CONPRIMUS shower panels stand for hygiene, safety and design.



# CONPRIMUS shower panel

## Design alternatives and combination possibilities

Based on the E-Thermostat water path CONPRIMUS - unsurpassed in terms of hygiene and smart handling/service/operation.

	COVER MATERIALS	stainless steel matt
	COVER DESIGNS	without soap dish
	WATER PATH	CONPRIMUS E-Thermostat water path mounting on back wall
	WATER PIPELINE	nominal size DN15 flexible hoses
	SHUT-OFF VALVE	direct from front
	WATER FLOW TRIGGER ELECTRONIC	E-control (piezo button)
	E-THERMOSTAT	with electronic scalding protection
	FUNCTIONS (subsequent upgrades possible)	cold flush hygienic flush thermal flush, electronic cleaning stop
	FAUCET MANAGEMENT	CNX Water Management System, Service APP
	SHOWER HEADS	rain shower heads hand shower set
	CONVERSIONS	to CNX Water Management System to Service APP
	MAINTENANCE	completely possible from front

# System description CONGENIAL

## Adaptive multifunctional water path CONGENIAL

### Make the right choice with the CONTI+ adaptive multifunctional water path CONGENIAL.

When choosing a shower variant based on the CONTI+ adaptive multifunctional water path there are many options for extending and modifying the shower and service functionalities in the short, medium and long term due to the many conversion and upgrade options. From simple mechanic opening and closing function via self-closing oil or water hydraulics through to electronic version via piezo switch. CONGENIAL offers interchangeable options in all directions.

The conversion options with respect to the water flow trigger mechanisms are only one strong argument for the decision - the CONTI+ adaptive multifunctional water path CONGENIAL also allows a variety of upgrades. From manual, through electronic thermal flush to integration into the CONTI+ CNX Water Management System to secure and document all hygiene functions.

CONGENIAL one water path for three concealed variants - CONBOX, CONBOX FLANGE and CONBOX FIT.

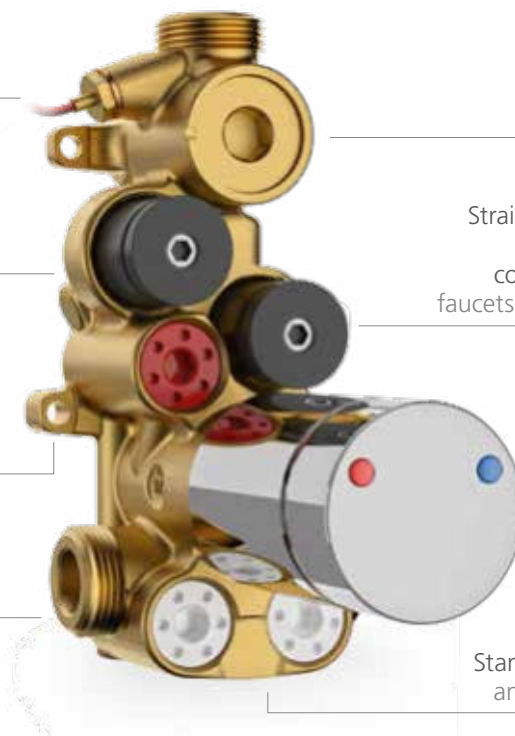
CONTI+ adaptive multifunctional water path CONGENIAL one solution - wide-ranging fields of application, maximum installation comfort and extensive functionality transfer.

Temperature immersion sensor for integration in the CNX water management system or control via the Service APP

Operating and hygiene function upgrades  
Variant options thanks to standardised technology

Fixing at the rear on panels of concealed showers, service access at the front

Materials compliant with standards for drinking water installation



Optional variations  
Electronic/mechanical conversion and upgrade options

Straightforward servicing and reduced stocking of spare parts thanks to common components in all CONTI+ faucets, including ROBUST solenoid valve

Thermostat  
Safety when showering thanks to thermostatic cartridge for anti-scalding protection


Standard-compliant non-return valves and filters to prevent contamination



# CONGENIAL shower panels

## Design alternatives and combination possibilities


Based on the adaptive multifunctional water path CONGENIAL - unsurpassed in terms of conversion and upgrade options and serviceability.

	COVER MATERIALS	stainless steel mat, acrylic composite (on request Varicor)
	COVER DESIGNS	without soap dish with soap dish
	WATER PATH	CONGENIAL multifunctional water path mounting on back wall
	WATER PIPELINE	nominal size DN15 solid copper piping
	SHUT-OFF VALVE	direct from front
	WATER FLOW TRIGGER ELECTRONIC	piezo button
	WATER FLOW TRIGGER MECHANIC	water hydraulic oil hydraulic on/off-handle
	THERMOSTAT	with scalding protection
	FUNCTIONS (subsequent upgrades possible)	hygienic flush hygienic flush external (Key Switch) thermal flush, manual thermal flush, electronic cleaning stop
	FAUCET MANAGEMENT	CNX Water Management System
	SHOWER HEADS	jet shower heads rain shower heads hand shower set stainless steel options
	CONVERSIONS	from mechanical to electronic from electronic to mechanical to CNX Water Management System
	MAINTENANCE	completely possible from front without removal of the water path

# CONGENIAL concealed showers

## Design alternatives and combination possibilities

Based on the adaptive multifunctional water path CONGENIAL - unmatched in terms of conversion, upgrade options and serviceability.

	COVER MATERIALS	stainless steel mat
	COVER DESIGNS	round angular
	WATER PATH	CONGENIAL multifunctional water path mounting on concealed box back wall
	WATER PIPELINE	nominal size DN15 brass piping
	SHUT-OFF VALVE	direct from front
	WATER FLOW TRIGGER ELECTRONIC	piezo button
	WATER FLOW TRIGGER MECHANIC	water hydraulic on/off-handle
	THERMOSTAT	with scalding protection
	FUNCTIONS (subsequent upgrades possible)	hygienic flush hygienic flush external (Key Switch) thermal flush, manual thermal flush, electronic cleaning stop
	FAUCET MANAGEMENT	CNX Water Management System
	SHOWER HEADS	jet shower heads rain shower heads hand shower set stainless steel options
	CONVERSIONS	from mechanical to electronic from electronic to mechanical to CNX Water Management System
	MAINTENANCE	completely possible from front without removal of the water path

# CONGENIAL FIT concealed showers

## Design alternatives and combination possibilities

Based on the adaptive multifunctional water path CONGENIAL - unsurpassed in terms of conversion and upgrade options and compactness.

	COVER MATERIALS	stainless steel mat stainless steel chromed
	COVER DESIGNS	round angular oval
	WATER PATH	CONGENIAL multifunctional water path mounting on concealed box rear wall
	WATER PIPELINE	nominal size DN15 brass piping
	SHUT-OFF VALVE	direct from front
	WATER FLOW TRIGGER ELECTRONIC	piezo switch
	WATER FLOW TRIGGER MECHANIC	water hydraulic on/off-handle
	THERMOSTAT	with scalding protection
	FUNCTIONS (subsequent upgrades possible)	hygienic flush hygienic flush external (Key Switch) thermal flush, manual thermal flush, electronic cleaning stop
	FAUCET MANAGEMENT	CNX Water Management System
	SHOWER HEADS	jet shower heads rain shower heads hand shower set stainless steel options
	CONVERSIONS	from mechanical to electronic from electronic to mechanical to CNX Water Management System
MAINTENANCE	completely possible from front without removal of the water path	

## Installation & maintenance with front access – quick and easy

Shower system description

Housing completely sealed with brass fixings

Mixed water drain 1/2"

CONTI+ CONBOX framing kit for concealed shower DN15 for electronic and mechanical CONTI+ CONGENIAL concealed showers

Faucet inside the concealed box – water inlet/flushing unit can be removed from the front – no construction work required

Support for spirit level

Dimensions (WxHxD) 232x272x96mm

Hot water inlet 1/2" (cold water inlet opposite)

PVC seals

Oval hole Variable mounting lugs to allow for compensatory adjustments

Shut-off device with length adjustment



Standard-compliant packing/waterproofing with flexible expansion zone, included in standard delivery

Faucet for removing the water inlet inside the concealed box

Position display of locking status

Complete flushing unit for total flushing of the whole installation and pressure testing, then installation of all versions of the CONTI+ CONGENIAL adaptive multifunctional water inlet



Condensation drain Falls and drains to the front

Vandal-proof angled faucet of the lock

# CONTI+ CONGENIAL concealed shower

The large scale solution: room for servicing

CONTI+ mount, CONGENIAL concealed seal  
Framing kit for cover plate made from solid plastic  
and precisely tailored to the faucet

POWER  
SUPPLY



CONTI+ CONGENIAL cover plate  
Brushed stainless steel, round or angular

Water flow triggering  
Electronic in this case (mechanical possible)  
(image shows version with piezo pushbutton),  
adjustable water running time and actuator,  
sanitary rinse, battery/mains/CNX

Double seal

Safety  
Multiple sealing system with  
condensation drain outlet

CONGENIAL cover  
plates  
12 mm depth

Fixing  
concealed, robust 4-way  
locking system

Support for  
4-way locking pin

Protective plugs  
included in  
standard delivery

Thermostat  
Cold and hot temperature limits  
can be set separately; thermostatic  
anti-scalding protection

## Hygiene

Electronic version for control via the Service APP  
or can be integrated in the CNX water management  
system for further functions

## Installation & maintenance with front access – quick and easy

Shower system description

Housing Fully sealed

Faucet inside the concealed box – water inlet/flushing unit can be removed from the front – no construction work required

Reinforcement braces on the side and rear

Hot water inlet 1/2" (cold water inlet opposite)

Oval hole Variable mounting lugs to allow for compensatory adjustments



Standard-compliant packing/waterproofing with flexible expansion zone, included in standard delivery

Complete flushing unit for total flushing of the whole installation and pressure testing, then installation of all versions of the CONTI+ CONGENIAL adaptive multifunctional water line



Mixed water drain 1/2"

CONTI+ CONBOX FIT framing kit for concealed shower DN15 for electronic and mechanical CONTI+ CONGENIAL FIT concealed showers

Support for spirit level

Shut-off device inside the concealed box

Dimensions (WxHxD) 157x216x127 mm

Safety Condensation drain outlet

Condensation drain Falls and drains to the front

CONTI+ mount, CONGENIAL FIT concealed Only framing kit attachment for cover plate made from plastic for precision installation

# CONTI+ CONGENIAL FIT concealed shower

The small solution: versatile and functional

CONTI+ CONGENIAL FIT cover plate  
Brushed or chrome plated stainless steel,  
round, angular or oval

Water flow triggering  
Electronic in this case (mechanical possible)  
(image shows version with piezo pushbutton),  
adjustable water running time and actuator, sanitary  
rinse, battery/mains/CNX

CONGENIAL FIT  
cover plates  
10 mm depth

Hygiene  
Electronic version for control  
via the Service APP or can  
be integrated in the  
CNX water management system  
for further functions

Fixing  
concealed, robust 2-way  
locking system

Thermostat  
Cold and hot temperature limits  
can be set separately; thermostatic  
anti-scalding protection

Dimensions (WxHxD)  
170x225x10 mm

Protective plugs  
included in  
standard delivery



# System description CONSMART

## Compact water path CONSMART

Electronic shower panels with the compact water path CONSMART offer high functionality. Time-controlled hygiene flushing, the thermal disinfection which can be activated via key switch as well as integration into the CONTI+ CNX Water Management System via calendar-triggered hygiene functions, meet the requirements of a hygienically sensitive drinking water installation.

CONTI+ compact water path CONSMART - one solution for a wide variety of projects with variable functional requirements.

### Materials

compliant with requirements for drinking water installation

Straightforward servicing and reduced stocking of spare parts thanks to common components in all CONTI+ faucets, including ROBUST solenoid valve

Hot and cold water inlet with flexible hoses for safe yet adaptable installation



Electronic version – Control and hygiene upgrade functions

Thermostat Safety when showering thanks to thermostatic cartridge for anti-scalding protection


Maintenance of shower panel possible without disassembling water inlet



# CONSMART shower panels

## Design alternatives and combination options


Based on the adaptive multifunctional water path CONSMART - extremely functional and reliable

	COVER MATERIALS	stainless steel mat acrylic composite
	COVER DESIGNS	without soap dish# with soap dish (AVW only)
	WATER PATH	CONSMART multifunctional water path mounting on concealed box rear wall
	WATER PIPELINE	nominal size DN15 flexible hoses
	WATER FLOW TRIGGER ELECTRONIC	piezo button
	THERMOSTAT	with scalding protection
	FUNCTIONS (subsequent upgrades possible)	hygienic flush hygienic flush external (Key Switch) thermal flush, electronic cleaning stop
	FAUCET MANAGEMENT	CNX Water Management System
	SHOWER HEADS	jet shower heads rain shower heads hand shower set stainless steel options
	CONVERSIONS	to CNX Water Management System
	MAINTENANCE	partly without removal of the water path

# CONBASE concealed showers

## Design alternatives and combination possibilities


Based on the water path CONBASE - reliable for premixed or cold water (DN15). Version without thermostat.


	COVER MATERIALS	stainless steel mat
	COVER DESIGNS	round angular
	WATER PATH	water path CONBASE mounting on concealed box
	FITTING	nominal size DN15 brass piping
	SHUT-OFF VALVE	direct from front
	WATER FLOW TRIGGER ELECTRONIC	piezo button
	FUNCTIONS (subsequent upgrades possible)	hygienic flush cleaning stop
	SHOWER HEADS	jet shower heads rain shower heads hand shower set stainless steel options
	MAINTENANCE	completely possible from front without removal of the water path

# CONBASE concealed showers

## Design alternatives and combination possibilities

Based on the water path CONBASE - easy and compact for premixed or cold water in DN15 and DN20.

	COVER MATERIALS	chromed brass
	COVER DESIGNS	round small
	WATER PATH	water path CONBASE mounting wall or ceiling
	FITTING	nominal size DN15 and DN20 brass piping
	WATER FLOW TRIGGER ELECTRONIC	piezo button
	FUNCTIONS (subsequent upgrades possible)	hygienic flush
	SHOWER HEADS	jet shower heads rain shower heads hand shower set special versions
	MAINTENANCE	without removal of the water path

	COVER MATERIALS	chromed brass
	COVER DESIGNS	rosette
	WATER PATH	CONBASE shower mounting wall or ceiling
	FITTING	nominal size DN15 and DN20 brass piping
	WATER FLOW TRIGGER ELECTRONIC	water hydraulik
	SHOWER HEADS	jet shower heads rain shower heads hand shower set stainless steel options
	MAINTENANCE	without removal of the water path

# Functional options for showers

Overview shower solutions (not all features combinable)



Shower solutions	FUNCTIONAL CHARACTERISTICS								
	Nominal width		Water flow actuation					Resource-saving functions	
	DN15	DN20	Self-closing function, electronic		Self-closing function, mechanical		mechanical	Paid water discharge	Adjustable water flow time
			Piezo switch (CONPRIMUS E-control)	RFID	Water hydraulics	Oil hydraulics	On/off-handle		
<b>SHOWER PANELS</b>									
CONPRIMUS	•		•						•
CONGENIAL	•		•						•
	•				•				•
	•					•			•
	•						•		
CONFRESH	•		•						•
CONSMART	•		•						•
CONCHIP	•			•				•	•
CONCASH 2.0	•		•					•	•
<b>CONCEALED SHOWERS</b>									
CONGENIAL	•		•						•
	•				•				•
	•					•			•
	•						•		
CONGENIAL FIT	•		•						•
	•				•				•
	•					•		•	•
CONFLOW		•	•						•
		•	•						•
CONBASE	•		•						•
	•					•			•
CONBASE SLIM	•		•						•
		•	•						•
CONBASE MINI	•					•			•
		•				•			•
CONCHIP	•		•	•				•	•
CONCASH 2.0	•		•					•	•
<b>EXPOSED SHOWERS</b>									
CONPRO	•					•			•
	•						•		
CONBASE SLIM	•		•						•
tipolino	•		•						•

Service functions	Hygiene and safety functions								
Cleaning stop/ operation stop (CNX)	Cold flush and cold water monitoring	Thermostat with scald protection (CONPRIMUS E-thermostat)	Hygienic flush	Hygienic flush externally via key switch	Manual thermal hygienic flush (thermal flush)	Electronic thermal hygienic flush via key switch (thermal flush)	Electronic thermal hygienic flush CNX (thermal flush)	CNX Water Management System	Service APP
•	•	•	•			•	•	•	•
•		•	•	•	•	•	•	•	•
		•			•	○			•
		•			•	○			•
		•			•	○			•
		•	•	•				•	•
✚		•	•	✚	✚	✚	✚	✚	✚
		•	•						
		•	•			•			
•		•	•	•	•	•	•	•	•
		•			•	○			•
		•			•	○			•
		•			•	○			•
		•	•			•	•	•	•
			•					•	•
			•					•	•
			•					•	•
									•
									•
		•	•						
		•	•			•			
		•							
		•							
			•					•	•
			•						

• = standard feature | ○ = optional feature | ✚ = retrofittable





## Electronic showers

### Shower panels

CONPRIMUS .....	60
CONGENIAL.....	62
CONFRESH Fresh water station .....	68
CONSMART .....	72
CONBASE .....	76
CONCASH 2.0 .....	78

### Concealed showers - final assembly kits

CONGENIAL.....	82
CONGENIAL FIT .....	86
CONBASE .....	98
CONBASE SLIM.....	102
CONCASH 2.0 .....	104
CONCASH FIT 2.0.....	108

### Exposed shower faucets

CONBASE SLIM.....	113
tipolino .....	114

### Freestanding showers

CONFREE straight   curved .....	116
CONFREE straight   curved Accessories.....	120



NEW

## CONTI+ CONPRIMUS

### Intelligent electronics with added value

Unique buildings are based on an integrated architectural concept – from the facade to the interior. The shower rooms of these buildings also play a special role, offering a real feeling of wellbeing and exceptional comfort.

The CONPRIMUS shower panel perfectly combines technology, safety, hygiene and design – for an exceptional new standard of sanitary rinse. This new system boasts an intelligent patented design and many innovative functions. For example, the electronically controlled "Thermostat-E" mixer is positioned at precisely the same height as the shower head, which almost entirely prevents the standing water column that otherwise often occurs.

The hot and cold water pipework are rinsed separately. This almost totally eliminates microbiological contamination of the shower water.

Optional control via the Service APP or integration in the CNX Water Management System allows electronic shut-off if the cold water supply fails (anti-scalding protection), as well as efficient hot water rinsing or thermal disinfection – without any additional hydraulic components. The shower element is also extremely simple to maintain. All hydraulic and working parts are located on the rear panel, behind a stainless steel cover that is easy to remove. At just 40 mm deep with a cutting edge design, this cover is much slimmer than that of comparable products – ideal for all shower room needs



POWER SUPPLY  



Water connections  
above and behind

Thermostat-E:  
fully electronic mixer directly  
on the shower head –  
minimal water column

Separate sanitary rinses: cold  
water rinse, sanitary rinse  
(mixed water) and thermal  
disinfection, free of dead  
space if required

No pipework between  
control unit and  
shower head

Slimline design  
40 mm stainless steel cover

Electrical connection  
between control unit  
and mixer

Electronic  
anti-scalding protection

E-Control:  
electronic control unit:  
press for start/stop,  
turn to adjust temperature  
(automatic shut-off)

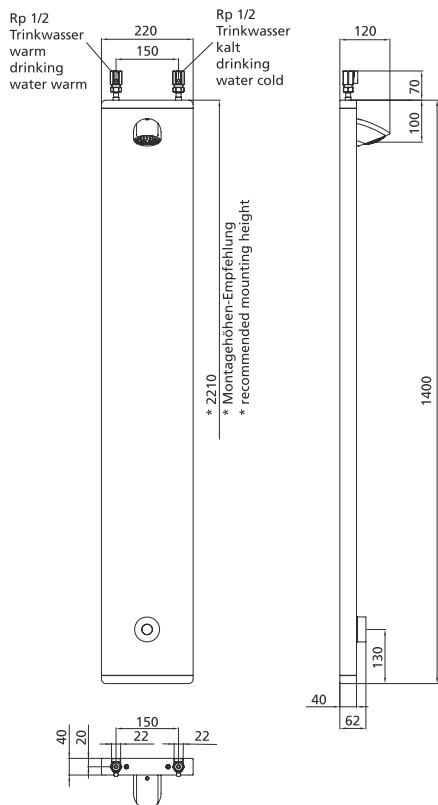
LED temperature display



# CONPRIMUS shower panel, stainless steel, thermostat-E, E-control, DN15

Showers  
electronic

NEW



## CONPRIMUS shower panel, stainless steel, thermostat-E, E-control, DN15

Shower panel with electronically controlled mixing device, including scald protection, for wall mounting. Application in new construction building and renovation in commercial, semi-public and public sanitary facilities.

- Pre-installed electronic mixing unit thermostat-E
- Proportional valve mixing unit at shower head height
- Electronic scald protection
- Electronic control unit E-control, turn/push button for mixing and start/stop function
- Temperature adjustment with LED display
- Non-linear temperature adjustment
- Adjustable shower start temperature
- Time-adjustable memory temperature when showering stops
- Pre-equipped for shower heads with plug-in connection or hand shower pre-assembled on delivery
- Electronic hygiene rinsing (mixed water temperature)
- Electronic hygiene flushing (cold water side) via CNX or Service APP
- Electronic thermal disinfection (hot water side) via CNX or Service APP
- Integration into the CNX Water Management System
- Control via Service APP possible
- Connection from above or behind
- Incl. mounting material

Mains supply (single installation): Power supply via 12 V/DC power supply unit in surface-mounted version in installation box or for DIN rail mounting

Mains supply (multiple installation): Power supply via 24 V/DC power supply unit in surface-mounted version in installation box or for DIN rail mounting

Mains supply (CNX): Power supply via 30 V/DC power supply unit in the Control units 64 and 150 and additional 24 V/DC auxiliary power supply

### Execution options:

#### Water flow times:

The water running times of the shower function can be set - via piezo push-button (E-control) or integrated into the CNX Water Management System as well as via the Service APP - by the parameter settings per shower or shower fitting group (CNX).

#### Hygienic flush:

The hygiene flush can be carried out by programming via piezo push-button (E-control). Integrated into the CNX Water Management System or via the Service APP, the hygiene flush can be set as an interval or calendar function and deactivated by parameter settings per shower or shower fittings group (CNX).

#### Cold water flush\*:

Cold water flush can be set and deactivated per shower or shower group (CNX) as an interval or calendar function using the parameter settings, either integrated in the CNX Water Management System or via the Service APP.

#### Thermal disinfection:

Thermal disinfection can be set as a calendar function for each shower or shower group (CNX) - integrated in the CNX Water Management System or via the Service APP\* - using the parameter settings for each shower or shower group (CNX).

#### Cleaning stop:

The operating stop (cleaning stop), interruption of the shower function, can be set as a calendar function per shower or shower group (CNX) through the parameter settings - integrated in the CNX Water Management System or via the Service APP\*.

#### CNX Water Management System:

Integration of the shower into the software-controlled Water Management System for the automatic depiction of hygiene, system and safety functions of electronic showers, lavatory faucets and urinal flush valves at the BUS level. Parametrisation of individual devices and device groups. Tamper-proof documentation of all operating, action and function messages.

\*Available with software update

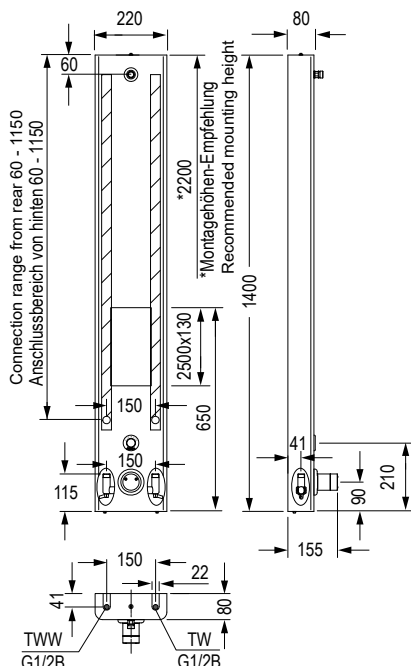
# CONPRIMUS shower panel, stainless steel, thermostat-E, E-control, DN15

<p><b>Technical data:</b></p> <p>Operating voltage (mains, single installation): 12 V/DC</p> <p>Operating voltage (mains, multiple installation): 24 V/DC</p> <p>Operating voltage (CNX): 30 V/DC, additional 24 V/DC</p> <p>Operating pressure: 2.0-5.0 bar</p> <p>Water temperature (max.): 70 °C (short-term for TD 80 °C)</p> <p>Flow rate DN15: 0.15 l/s (flow rate controller)</p> <p>Flow rate for thermal disinfection DN15: 0.05 l/s</p> <p>Water run time setting range: 3-180 s</p> <p>Water running time factory setting: 30 s</p> <p>Hygienic flushing setting range: factory setting: deactivated, 24, 48 or 72 h, adjustable via piezo button, CNX or Service APP</p> <p>Preset temperatures: Stand-by temperature when piezo button is triggered 38 °C (can be adjusted from 100 % cold to max. 43 °C (temperature range) via E-Control rotation.</p> <p>If the cold water line fails, the water flow is stopped when 48 °C is reached (factory setting - can be set via Service APP and CNX, observe maximum water temperature).</p> <p>Memory temperature setting: after the end of the shower time (or stop by pressing the piezo button again), the set temperature remains stored for 30 s</p> <p>Electronic protection class: IP68</p> <p>Dimensions (WxHxD): 220x1400x40 mm</p> <p>Shower head or hand shower must be ordered separately, shown here as an example with CONHEAD rain shower head SHORTY</p>	<p><b>Required accessories:</b></p> <p>Shower head, hand shower set, central mains power supply and/or CNX central operation unit</p> <p><b>Optional accessories:</b></p> <p>CNX Converter 12 V, BLE Converter, Cover extension</p> <p><b>Note:</b></p> <p>The temperature sensor is already included in the delivery.</p>
--	--

Versions	Power supply	Hygienic flush	String flushing Cold water	Therm. disinfection (electronic)	Thermal disinfection CNX	Cleaning stop	Service APP	Article number for version handheld shower	Article number for version shower head	
	12 V/DC series wiring to connect to central mains power supply <b>550.045.00</b> (see Asseccories)	•						<b>CONE1211219500</b>	<b>CONE1111219500</b>	
	24 V/DC series wiring to connect to central mains power supply <b>CONO513000</b> (see Asseccories)	•	•	•		•		<b>CONE1211219580</b>	<b>CONE1111219580</b>	
	30 V/DC bus cabling to CNX central operating unit 24 V/DC auxiliary power supply additional	•	•		•	•		<b>CONE1211219568</b>	<b>CONE1111219568</b>	
Shower heads	See chapter shower heads	CONHEAD rain shower head SHORTY							<b>CONO030010</b>	
		CONHEAD handshower set							<b>CONO040010</b>	

# CONGENIAL shower panel, stainless steel, thermostat, piezo switch, DN15

Showers  
electronic



## CONGENIAL shower panel, stainless steel, thermostat, piezo switch, DN15

With thermostatic mixing device for connection to cold and hot water. Application in new construction building and renovation in commercial, semi-public and public sanitary facilities.

- Stainless steel shower panel. Model with mounting frame for fixing the water path, including mounting material
- Cover and mounting frame made of stainless steel 1.4301
- All visible surfaces made of brushed stainless steel
- Multifunction tool for maintenance work
- Adaptive multifunctional water path CONGENIAL with solenoid valve 6V/DC ROBUST, bistable
- Upgrade and retrofitting functions
- Water path: dezincification resistant forged brass, as a high-quality thermostatic mixer, thermostat handle: chromed brass
- Visible components made of solid, chromed brass, with safety stop
- Choice of temperature setting range
- Integrated check valve in the bypass check valve and strainer cartridges for water inlets
- All functional parts can be disassembled from the front during maintenance work without removing the valve body
- Electronic operation of the shower function via piezo switch with start/stop function, piezo switch: colour ring red, rosette chromed
- The water flow time of the shower function is easily adjustable.
- Interval hygiene flush to prevent stagnation

Battery: 6V Lithium waterproof encased, lifetime up to 4 years  
 Mains: Power supply over 12 V/DC power supply for surface-mounted version in installation box or for DIN top-hat rail mounting  
 Mains (CNX): Power supply over 30 V/DC power supply in the control panels 64 and 150

### Execution options:

#### Cover versions:

With or without seamlessly integrated soap dish.

#### Hygienic flush (mains/battery):

Hygienic flush (electronic): the hygienic flush can be carried out in electronic showers by programming via the piezo switch or the Service APP per shower.

#### Hygienic flush key switch (mains/battery):

The hygienic flush can be carried out in electronic showers by programming via the piezo switch or the Service APP per shower and can be triggered directly by actuating a key switch.

#### Thermal disinfection (mains):

The thermal disinfection in an electronic shower with an installed second bistable solenoid valve 6 V/DC DN15 can be triggered by actuating a key switch.

#### Cleaning stop (mains/battery):

The cleaning stop can be activated in electronic showers by positioning a magnet - RC Switch, on the cover respectively cover plate. Shower function via actuation of the piezo switch is interrupted for the time the magnet is positioned there.

#### Water flow time CNX:

The water flow time of the shower function can be set and disabled for electronic showers, integrated into the CNX Water Management System, through the software parameter settings per shower or shower group.

#### Hygienic flush CNX:

The hygienic flush can be set and disabled for electronic showers, integrated into the CNX Water Management System, by the software parameter settings per shower or shower group as interval or calendar function.

#### Thermal disinfection CNX:

The thermal disinfection can be set as a calendar function in electronic showers, integrated into the CNX Water Management System, by the software parameter settings per shower group.

#### Cleaning stop CNX:

The operation stop (cleaning stop), interruption of the shower function, can be set in electronic showers, integrated into the CNX Water Management System, by the software parameter settings per shower or shower group as a calendar function.

#### CNX Water Management System:

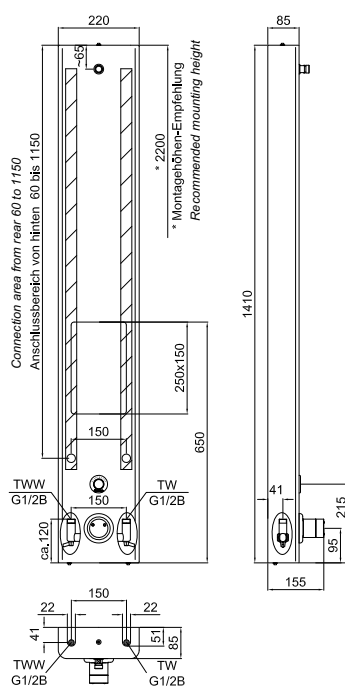
Integration of the shower into the software-controlled Water Management System for the automatic depiction of hygiene, system and safety functions of electronic showers, lavatory faucets and urinal flush valves at the BUS level. Parametrisation of individual devices and device groups. Tamper-proof documentation of all operating, action and function messages.

# CONGENIAL shower panel, stainless steel, thermostat, piezo switch, DN15

<p><b>Technical data:</b></p> <p>Operating voltage (battery): 6 V/DC          Operating voltage (mains): 12 V/DC          Operating voltage (CNX): 30 V/DC          Operating pressure: 1,5-5,0 bar          Water temp. standard operation (max.): 70 °C          Water temp. thermal disinfection: Short-term for therm. disinfection 80 °C          Flow rate DN15: 0,15 l/s (flow rate regulator)          Flow rate during thermal disinfection DN15: 0,05 l/s (flow rate regulator)          Water flow time setting range: 3-180 s          Water flow time factory setting: 30 s          Hygienic flush setting range: 12, 24 or 72 h, can be deactivated via setting on piezo switch, other hygienic flush intervals can be set via Service APP          Hygienic flush factory setting: 12 h after last water flow activation, 30 s water flow time          Electronic protection type: IP68          Dimensions (HxWxD): 1400x220x80 mm</p>	<p><b>Required accessories:</b></p> <p>Shower head, hand shower set, central mains power supply or CNX central operation unit</p> <p><b>Optional accessories:</b></p> <p>Connection set          Cover extension          Manual TD plug for thermal disinfection (see chapter accessories)</p> <p><b>Note:</b></p> <p>For the water path CNX with thermal disinfection, the temperature sensor is already included in the scope of delivery.</p>
--	---

Versions	Power supply	Hygienic flush	Hygienic flush key switch	Therm. disinfection (electronic)	Thermal disinfection CNX	Cleaning stop	Integrated shelf	Article number for version handheld shower	Article number for version shower head	
	6 V/DC Lithium battery waterproof encased	•					•	<b>CONE0212211100</b>	<b>CONE0112211100</b>	
		•				•	•	<b>CONE0212211140</b>	<b>CONE0112211140</b>	
		•						<b>CONE0211211100</b>	<b>CONE0111211100</b>	
		•					•	<b>CONE0211211140</b>	<b>CONE0111211140</b>	
	12 V/DC series wiring to connect to central mains power supply (see chapter accessories)	•					•	<b>CONE0212211200</b>	<b>CONE0112211200</b>	
		•	•				•	<b>CONE0212211210</b>	<b>CONE0112211210</b>	
		•		•			•	<b>CONE0212211230</b>	<b>CONE0112211230</b>	
		•				•	•	<b>CONE0212211240</b>	<b>CONE0112211240</b>	
		•						<b>CONE0211211200</b>	<b>CONE0111211200</b>	
		•	•					<b>CONE0211211210</b>	<b>CONE0111211210</b>	
		•		•				<b>CONE0211211230</b>	<b>CONE0111211230</b>	
		•					•	<b>CONE0211211240</b>	<b>CONE0111211240</b>	
	30 V/DC bus cabling to CNX central operating unit (see chapter accessories)	•				•	•	<b>CONE0212211336</b>	<b>CONE0112211336</b>	
		•			•	•	•	<b>CONE0212211360</b>	<b>CONE0112211360</b>	
		•					•	<b>CONE0211211336</b>	<b>CONE0111211336</b>	
		•			•	•		<b>CONE0211211360</b>	<b>CONE0111211360</b>	
Shower heads	See chapter shower heads	CONHEAD jet shower head GOLF							<b>CONO010010</b>	
		CONHEAD rain shower head RAIN2							<b>CONO020010</b>	
		CONHEAD rain shower head SHORTY							<b>CONO030010</b>	
		CONHEAD jet shower head VESUV							<b>CONO060010</b>	
		CONHEAD jet shower head CITY							<b>CONO050010</b>	
		CONHEAD hand shower set					<b>CONO040010</b>			

## CONGENIAL shower panel, AVW, thermostat, piezo switch, DN15



### CONGENIAL shower panel, AVW, thermostat, piezo switch, DN15

With thermostatic mixing device for connection to cold and hot water. Application in new construction building and renovation in commercial, semi-public and public sanitary facilities.

- AVW shower panel. Model with mounting frame for fixing the water path, including mounting material
- Cover 2K-acrylic composite material, dimensions (HxWxD): 1410x220x85 mm, break-proof and impact resistant, very easy to clean
- Mounting frame made of stainless steel 1.4301
- Multifunction tool for maintenance work
- Adaptive multifunctional water path CONGENIAL with solenoid valve 6 V/DC ROBUST, bistable
- Upgrade and retrofitting functions
- Water path: dezincification resistant forged brass, as a high-quality thermostatic mixer, thermostat handle: chromed brass
- Visible components made of solid, chromed brass, with safety stop
- Choice of temperature setting range
- Integrated check valve in the bypass and check valve and strainer cartridges for water inlets
- All functional parts can be disassembled from the front during maintenance work without removing the valve body
- Electronic operation of the shower function via piezo button with start/stop function, piezo switch: colour ring red, rosette chromed
- The water flow time of the shower function is easily adjustable.
- Interval hygiene flush to prevent stagnation

Battery: 6V Lithium waterproof encased, lifetime up to 4 years  
 Mains: Power supply over 12 V/DC power supply for surface-mounted version in installation box or for DIN top-hat rail mounting  
 Mains (CNX): Power supply over 30 V/DC power supply in the control panels 64 and 150

#### Execution options:

##### Cover versions:

With or without seamlessly integrated soap dish.

##### Hygienic flush (mains/battery):

Hygienic flush (electronic): the hygienic flush can be carried out in electronic showers by programming via the piezo switch or the Service APP per shower.

##### Hygienic flush key switch (mains/battery):

The hygienic flush can be carried out in electronic showers by programming via the piezo switch or the Service APP per shower and can be triggered directly by actuating a key switch.

##### Thermal disinfection (mains):

The thermal disinfection in an electronic shower with an installed second bistable solenoid valve 6 V/DC DN15 can be triggered by actuating a key switch.

##### Cleaning stop (mains/battery):

The cleaning stop can be activated in electronic showers by positioning a magnet - RC Switch, on the cover respectively cover plate. Shower function via actuation of the piezo switch is interrupted for the time the magnet is positioned there.

##### Water flow time CNX:

The water flow time of the shower function can be set and disabled for electronic showers, integrated into the CNX Water Management System, through the software parameter settings per shower or shower group.

##### Hygienic flush CNX:

The hygienic flush can be set and disabled for electronic showers, integrated into the CNX Water Management System, by the software parameter settings per shower or shower group as interval or calendar function.

##### Thermal disinfection CNX:

The thermal disinfection can be set as a calendar function in electronic showers, integrated into the CNX Water Management System, by the software parameter settings per shower group.

##### Cleaning stop CNX:









The operation stop (cleaning stop), interruption of the shower function, can be set in electronic showers, integrated into the CNX Water Management System, by the software parameter settings per shower or shower group as a calendar function.

##### CNX Water Management System:

Integration of the shower into the software-controlled Water Management System for the automatic depiction of hygiene, system and safety functions of electronic showers, lavatory faucets and urinal flush valves at the BUS level. Parametrisation of individual devices and device groups. Tamper-proof documentation of all operating, action and function messages.

# CONGENIAL shower panel, AVW, thermostat, piezo switch, DN15

<p><b>Technical data:</b></p> <p>Operating voltage (battery): 6 V/DC          Operating voltage (mains): 12 V/DC          Operating voltage (CNX): 30 V/DC          Operating pressure: 1,5-5,0 bar          Water temp. standard operation (max.): 70 °C          Water temp. thermal disinfection: Short-term for therm. disinfection 80 °C          Flow rate DN15: 0,15 l/s (flow rate regulator)          Flow rate during thermal disinfection DN15: 0,05 l/s (flow rate regulator)          Water flow time setting range: 3-180 s          Water flow time factory setting: 30 s          Hygienic flush setting range: 12, 24 or 72 h, can be deactivated via setting on piezo switch, other hygienic flush intervals can be set via Service APP          Hygienic flush factory setting: 12 h after last water flow activation, 30 s water flow time          Electronic protection type: IP68          Dimensions (HxWxD): 1400x220x80 mm</p>	<p><b>Required accessories:</b></p> <p>Shower head, hand shower set, central mains power supply or CNX central operation unit</p> <p><b>Optional accessories:</b></p> <p>Connection set          Cover extension          Manual TD plug for thermal disinfection (see chapter accessories)</p> <p><b>Note:</b></p> <p>For the water path CNX with thermal disinfection, the temperature sensor is already included in the scope of delivery.</p>
--	---

										
Versions	Power supply	Hygienic flush	Hygienic flush key switch	Therm. disinfection (electronic)	Thermal disinfection CNX	Cleaning stop	Integrated shelf	Article number for version handheld shower	Article number for version shower head	
	6 V/DC Lithium battery waterproof encased	•					•	<b>CONE0232211100</b>	<b>CONE0132211100</b>	
		•				•	•	<b>CONE0232211140</b>	<b>CONE0132211140</b>	
		•							<b>CONE0231211100</b>	<b>CONE0131211100</b>
		•				•			<b>CONE0231211140</b>	<b>CONE0131211140</b>
	12 V/DC series wiring to connect to central mains power supply (see chapter accessories)	•					•	<b>CONE0232211200</b>	<b>CONE0132211200</b>	
		•	•				•	<b>CONE0232211210</b>	<b>CONE0132211210</b>	
		•		•			•	<b>CONE0232211230</b>	<b>CONE0132211230</b>	
		•				•	•	<b>CONE0232211240</b>	<b>CONE0132211240</b>	
		•							<b>CONE0231211200</b>	<b>CONE0131211200</b>
		•	•						<b>CONE0231211210</b>	<b>CONE0131211210</b>
		•		•					<b>CONE0231211230</b>	<b>CONE0131211230</b>
		•					•		<b>CONE0231211240</b>	<b>CONE0131211240</b>
	30 V/DC bus cabling to CNX central operating unit (see chapter accessories)	•				•	•	<b>CONE0232211336</b>	<b>CONE0132211336</b>	
		•			•	•	•	<b>CONE0232211360</b>	<b>CONE0132211360</b>	
		•				•			<b>CONE0231211336</b>	<b>CONE0131211336</b>
		•			•	•			<b>CONE0231211360</b>	<b>CONE0131211360</b>
Shower heads	See chapter shower heads	CONHEAD jet shower head GOLF							<b>CONO010010</b>	
		CONHEAD rain shower head RAIN2							<b>CONO020010</b>	
		CONHEAD rain shower head SHORTY							<b>CONO030010</b>	
		CONHEAD jet shower head VESUV							<b>CONO060010</b>	
		CONHEAD jet shower head CITY							<b>CONO050010</b>	
		CONHEAD hand shower set					<b>CONO040010</b>			

A photograph of a modern shower room. The room features teal-colored lockers on the left and right sides. The walls are covered in small, light-colored square tiles. Several stainless steel shower panels are mounted on the wall, each with a showerhead and a control knob. The ceiling is made of white, slatted panels with recessed rectangular light fixtures. The floor is also tiled with light-colored tiles.

# CONTI+ CONFRESH

## Shower panel with fresh water module

In stadiums, schools or at the swimming pool, a relaxing shower experience is a natural follow-up to exercising. Modern, hygienically impeccable washrooms considerably boost wellbeing.

Older buildings, in particular, often have outdated technology and shower units in need of refurbishment. However, a completely new installation can be especially challenging in these cases, because generally only cold water connections are available.

CONTI+ CONFRESH provides an intelligent, sustainable solution. The electronic shower panel with thermostatic mixer, robust piezo pushbutton and integral fresh water module uses the hot water from external, central or decentralised heat sources directly on site. It heats the cold drinking water by means of a built-in plate heat exchanger. Fresh, comfortably warm shower water is guaranteed – at all times.

CONTI+ shower panels with fresh water module – uniquely innovative!



# For properties with cold water connection

Heating water return HRL

Heating water flow HVL

Choice of 7 different shower heads



Circulation bridge

The thermostatic circulation bridge ensures instant provision of the heating medium for domestic hot water heating. The flow temperature is adjustable from 35 °C to 65 °C. Whenever the temperature falls below the set flow temperature, the thermostat opens so that the heating medium can circulate and, if water is drawn off, energy can be used immediately for domestic hot water heating.

Plate heat exchanger

Cold water inlet PWC (potable water cold)

Hot water spout PWH (mixed water)

Differential pressure regulator

For hydronic balancing, i.e. to maintain the pressure differential needed to heat the water via the module.

Proportional flow controller

Only opens the drinking water (cold water) and heating water media flows via the heat exchanger if hot water is drawn off. The valve closes once no more water is to be drawn off, thereby preventing further heating of the heat exchanger.

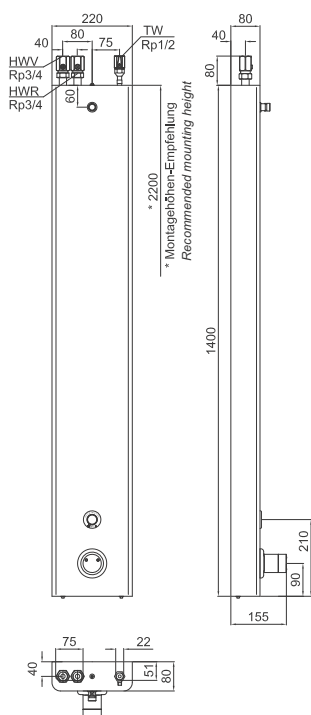
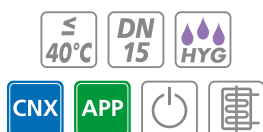
POWER SUPPLY



CONTI+ CONGENIAL adaptive multifunctional water inlet  
System: battery, mains or CNX



## CONFRESH shower panel, stainless steel, thermostat, piezo switch, DN15, fresh water station



## CONFRESH shower panel, stainless steel, thermostat, piezo switch, DN15, fresh water station

Electronic shower faucet designed as shower panel in nominal diameter DN15. Integrated fresh water station for the production of warm, decentralised and directly in the shower panel produced drinking water. Hot water generation via plate heat exchanger by supplying heating water. With thermostatic mixing device for connection to cold and hot water. Application in new construction building and renovation in commercial, semi-public and public sanitary facilities.

- Stainless steel shower panel. Version with mounting frame to accommodate the water section, including fixing material; cover and mounting frame made of stainless steel 1.4301
- All visible surfaces: brushed stainless steel
- Multifunctional tool for maintenance work
- Fresh water station: integrated circulation bridge for heating water circuit
- DVGW-approved proportional flow regulator and differential pressure regulator
- Piping for heating water: Stainless steel corrugated pipe
- Pipelines drinking water: copper and flexible hoses
- Adaptive multifunctional water path CONGENIAL with solenoid valve 6 V/DC ROBUST, bistable
- Upgrade and retrofitting functions
- Fitting body: dezincification resistant pressed brass, as a high-quality thermostat battery; thermostat handle: chrome-plated brass
- Visible components made of solid, chromed brass, with safety stop
- Choice of temperature setting range
- Integrated check valve in the bypass and check valve and strainer cartridges for water inlets
- All functional parts can be disassembled from the front during maintenance work without removing the valve body
- Electronic operation of the shower function via piezo button with start/stop function, piezo switch: colour ring red, rosette chromed
- The water flow time of the shower function is easily adjustable.
- Interval hygiene flush to prevent stagnation

Battery:	6 V Lithium waterproof encased, lifetime up to 4 years
Mains:	Power supply over 12 V/DC power supply for surface-mounted version in installation box or for DIN top-hat rail mounting
Mains (CNX):	Power supply over 30 V/DC power supply in the control panels 64 and 150

**Hygienic flush (mains/battery):**

Hygienic flush (electronic): the hygienic flush can be carried out in electronic showers by programming via the piezo switch or the Service APP per shower.

**Hygienic flush CNX:**

The hygienic flush can be set and disabled for electronic showers, integrated into the CNX Water Management System, by the software parameter settings per shower or shower group as interval or calendar function.

**Cleaning stop (mains/battery):**

The cleaning stop can be activated in electronic showers by positioning a magnet - RC Switch, on the cover respectively cover plate. Shower function via actuation of the piezo switch is interrupted for the time the magnet is positioned there.

**Cleaning stop CNX:**

The operation stop (cleaning stop), interruption of the shower function, can be set in electronic showers, integrated into the CNX Water Management System, by the software parameter settings per shower or shower group as a calendar function.






**CNX Water Management System:**

Integration of the shower into the software-controlled Water Management System for the automatic depiction of hygiene, system and safety functions of electronic showers, lavatory faucets and urinal flush valves at the BUS level. Parametrisation of individual devices and device groups. Tamper-proof documentation of all operating, action and function messages.

# CONFRESH shower panel, stainless steel, thermostat, piezo switch, DN15, fresh water station

Showers  
electronic

<p><b>Technical data:</b></p> <p>Operating voltage (battery): 6 V/DC          Operating voltage (mains): 12 V/DC          Operating voltage (CNX): 30 V/DC          Operating pressure: 1,5-5,0 bar          Water temp. standard operation (max.): 70 °C          Water temp. thermal disinfection: Short-term for therm. disinfection 80 °C          Flow rate DN15: 0,15 l/s (flow rate regulator)          Water flow time setting range: 3-180 s          Water flow time factory setting: 30 s          Hygienic flush setting range: 12, 24 or 72 h, can be deactivated via setting on piezo switch, other hygienic flush intervals can be set via Service Monitor          Hygienic flush factory setting: 12 h after last water flow activation, 30 s water flow time</p> <p>Power fresh water station (plate heat exchanger): 35 kW          Hot water preparation Standard conditions: with 65 °C heating water flow          Heating flow (max.): 80 °C          Hot water temperature - side Input: 10 °C          Drinking water temperature - side Output: 45 °C          Pressure loss heat exchanger unit: 0.22 bar          Electronic protection type: IP68          Dimensions (HxWxD): 1400x220x80 mm</p>	<p><b>Required accessories:</b>          Shower head, hand shower set, central mains power supply or CNX central operation unit</p> <p><b>Optional accessories:</b>          Cover extension</p>
--	--

					
Version	Power supply	Hygienic flush	Cleaning stop	Article number for version handheld shower	Article number for version shower head
	6 V/DC Lithium battery waterproof encased	•		<b>CONE0211211150</b>	<b>CONE0111211150</b>
	12 V/DC series wiring to connect to central mains power supply (see chapter accessories)	•		<b>CONE0211211250</b>	<b>CONE0111211250</b>
	12 V/DC series wiring to connect to central mains power supply (see chapter accessories)	•	•	<b>CONE0211211356</b>	<b>CONE0111211356</b>
Shower heads	See chapter shower heads	CONHEAD jet shower head GOLF			<b>CONO010010</b>
		CONHEAD rain shower head RAIN2			<b>CONO020010</b>
		CONHEAD rain shower head SHORTY			<b>CONO030010</b>
		CONHEAD jet shower head VESUV			<b>CONO060010</b>
		CONHEAD jet shower head CITY			<b>CONO050010</b>
		CONHEAD hand shower set		<b>CONO040010</b>	



# CONTI+ CONSMART

## The compact water inlet

More and more companies now offer their employees sports and fitness facilities in their own office buildings or business premises. Alongside modern fitness equipment, a state of the art sanitation area is also key to ensuring that users enjoy an invigorating training experience.

Particularly in the commercial sector, the installed systems need to meet highly demanding requirements with regard to sustainability, functionality and hygiene. Compliance with the German Drinking Water Ordinance must also be assured – for both individual and communal showers.

Our CONSMART electronic shower panels with compact water inlet are an extremely flexible and impressive solution for commercial properties. They offer many additional functions and a high level of operational safety thanks to their robust design and components, together with outstanding efficiency and comfort.

Our CONSMART shower panels are therefore ideal for safe, rapid refurbishment and conversion of washrooms with a wide variety of requirements.

# Reliable quality - convincing price

Showers  
electronic

Swivel nuts/ball stop valves for servicing work (if no rear access)

220 mm

1400 mm

80 mm

138 mm

Versions with shower head  
CONTI+ SHORTY

Version with  
cover cladding made from  
stainless steel 1.4301

Elegant design  
with rounded edges

Version with  
cover cladding made  
from 2K acrylic composite  
with or without seamlessly  
integrated soap dish

Piezo pushbutton  
with start/stop function,  
sanitary rinse

Thermostat:  
solid, high-gloss,  
chrome plated brass  
with safety stop and  
anti-scalding protection

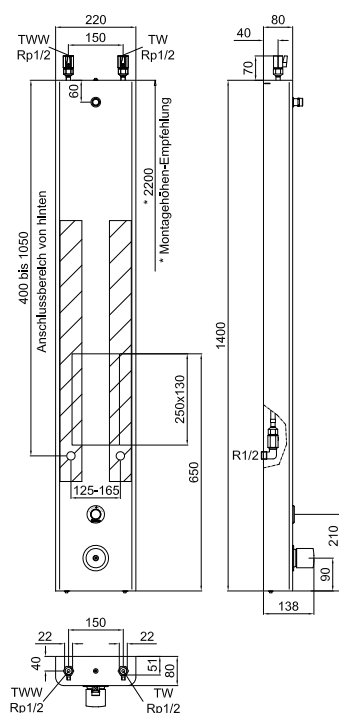
220 mm

1410 mm

85 mm

143 mm

## CONSMART shower panel, stainless steel, thermostat, piezo switch, DN15



### CONSMART shower panel, stainless steel, thermostat, piezo switch, DN15

Electronic shower faucet designed as shower panel in nominal diameter DN15. With thermostatic mixing device for connection to cold and hot water. Application in new construction building and renovation in commercial, semi-public and public sanitary facilities.

- Stainless steel shower panel. Model with two wall brackets, including mounting material
- Upper wall bracket with 90° hold from both sides for cover for mounting and maintenance work
- Wall bracket made of stainless steel 1.4301
- Multifunction tool for maintenance work
- Shower head Shorty in scope of delivery
- Water path CONSMART with solenoid valve 6 V/DC ROBUST, bistable
- Upgrade and retrofitting functionalities
- Water path: dezincification resistant forged brass, as a high-quality thermostatic mixer, thermostat handle: chromed brass
- Visible components made of solid, chromed brass, with safety stop
- Choice of temperature setting range
- Integrated check valve in the bypass and check valve and strainer cartridges for water inlets
- Functional parts can be serviced without removing the valve body
- Electronic operation of the shower function via piezo switch with start/stop function, piezo switch: colour ring red, rosette chrome plated
- The water flow time of the shower function is easily adjustable.
- Interval hygiene flush to prevent stagnation

#### Execution options:

##### Cover version:

Without seamlessly integrated soap dish

##### Hygienic flush (mains/battery):

Hygienic flush (electronic): the hygienic flush can be carried out in electronic showers by programming via the piezo switch or the Service APP (not in scope of delivery) per shower.




#### Technical data:

Operating voltage (battery):	6 V/DC
Operating voltage (mains):	12 V/DC
Operating voltage (CNX):	30 V/DC
Operating pressure:	1,5-5,0 bar
Water temp. standard operation (max.):	70 °C
Water temp. thermal disinfection:	Short-term for therm. disinfection 80 °C
Flow rate DN15:	0,15 l/s (flow rate regulator)
Flow rate during thermal disinfection DN15:	0,05 l/s (flow rate regulator)
Water flow time setting range:	3-180 s
Water flow time factory setting:	30 s
Hygienic flush setting range:	12, 24 or 72 h, can be deactivated via setting on piezo switch, other hygienic flush intervals can be set via Service APP
Hygienic flush factory setting:	12 h after last water flow activation, 30 s water flush time
Electronic protection type:	IP68
Dimensions (WxHxD):	220x1410x85 mm

#### Required accessories:

Central mains power supply

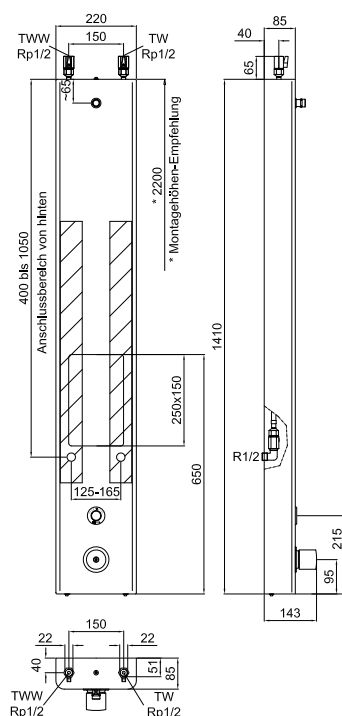
## CONSMART shower panel, stainless steel, thermostat, piezo switch, DN15

			
Version	Power supply	Hygienic flush	Article number
	6 VDC Lithium battery waterproof encased	•	<b>CONO4111221109</b>
	12 VDC series wiring to connect to central mains power supply	•	<b>CONO4111221209</b>

## Asseccories optional for CONSMART shower panel, AVW

	Used for	Description	Article number
Accessories for CONSMART (see also chapter Accessories)	Integration Service APP	BLE Converter for Service APP for CONTI+ faucets per shower panel 1 piece	<b>CONO260000</b>
	Electronical thermal disinfection via CNX	CNX Converter, 30 V – 6 V for connecting CONTI+ faucets per shower panel 1 piece	<b>CONO210000</b>
		Switch key per control box 1 piece	<b>CONO330000</b>
		Temperature sensor for CONSMART water path per shower panel 1 piece	<b>CONO410010</b>
		Solenoid valve II per shower panel 1 piece	<b>CONO320000</b>
	Electronical thermal disinfection via key switch	Set thermal disinfection for CONTI+ faucets with mains power supply per shower panel 1 piece	<b>CONO322000</b>
		Key switch per main supply per power supply unit 1 piece	<b>CONO330010</b>
		Solenoid valve per shower panel 1 piece	<b>CONO320000</b>
	Manual thermal disinfection	Manual plug TD per shower panel 1 piece	<b>CONO310000</b>
	Integration of cleaning stop	Set cleaning stop per shower panel 1 piece	<b>CONO610000</b>
	Soap dishes	Soap dish stainless steel, 220x40/15x65 mm, for wall installation	<b>CONO680000</b>
		Soap dish ABS silver mat, 162x41x62 mm, for wall and panel installation	<b>CONO681000</b>
	Cover extension	Stainless steel	<b>CONO660000</b>

## CONSMART shower panel, AVW, thermostat, piezo switch, DN15



### CONSMART shower panel AVW, thermostat, piezo switch, DN15

Electronic shower faucet designed as shower panel in nominal diameter DN15. With thermostatic mixing device for connection to cold and hot water. Application in new construction building and renovation in commercial, semi-public and public sanitary facilities.

- AVW shower panel. Model with two wall brackets, including mounting material
- Upper wall bracket with 90° hold from both sides for cover for mounting and maintenance work
- Cover 2K-acrylic composite material, dimensions, break-proof and impact resistant, very easy to clean
- Wall bracket made of stainless steel 1.4301
- Multifunction tool for maintenance work
- Shower head Shorty in scope of delivery
- Water path CONSMART with solenoid valve 6 V/DC ROBUST, bistable
- Upgrade and retrofitting functionalities
- Water path: dezincification resistant forged brass, as a high-quality thermostatic mixer, thermostat handle: chromed brass
- Visible components made of solid, chromed brass, with safety stop
- Choice of temperature setting range
- Integrated check valve in the bypass and check valve and strainer cartridges for water inlets
- Functional parts can be serviced without removing the valve body
- Electronic operation of the shower function via piezo switch with start/stop function, piezo switch: colour ring red, rosette chrome plated
- The water flow time of the shower function is easily adjustable.
- Interval hygiene flush to prevent stagnation

#### Execution options:

##### Cover version:

With or without seamlessly integrated soap dish

##### Hygienic flush (mains/battery):

Hygienic flush (electronic): the hygienic flush can be carried out in electronic showers by programming via the piezo switch or the Service APP (not in scope of delivery) per shower.

#### Technical data:

Operating voltage (battery):	6 V/DC
Operating voltage (mains):	12 V/DC
Operating voltage (CNX):	30 V/DC
Operating pressure:	1,5-5,0 bar
Water temp. standard operation (max.):	70 °C
Water temp. thermal disinfection:	Short-term for therm. disinfection 80 °C
Flow rate DN15:	0,15 l/s (flow rate regulator)
Flow rate during thermal disinfection DN15:	0,05 l/s (flow rate regulator)
Water flow time setting range:	3-180 s
Water flow time factory setting:	30 s
Hygienic flush setting range:	12, 24 or 72 h, can be deactivated via setting on piezo switch, other hygienic flush intervals can be set via Service APP

#### Hygienic flush factory setting:

12 h after last water flow activation, 30 s water flush time

#### Electronic protection type:

IP68

#### Dimensions (WxHxD):




220x1410x85 mm

#### Required accessories:

Central mains power supply



## CONSMART shower panel, AVW, thermostat, piezo switch, DN15

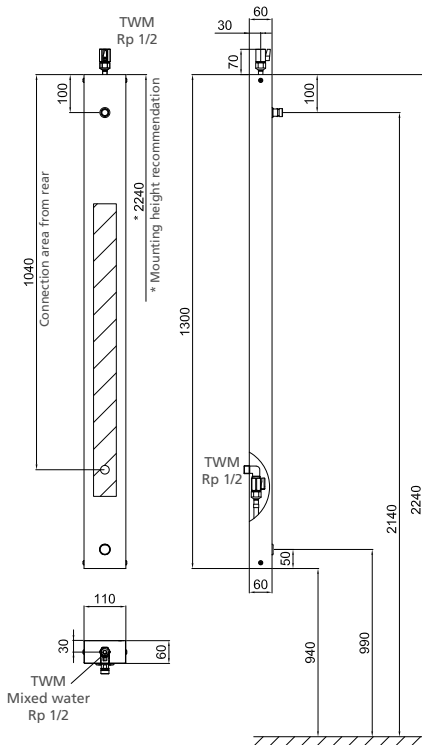
				
Version	Power supply	Hygienic flush	Integrated soap dish	Article number
	6 V/DC Lithium battery waterproof encased	•		<b>CONE4131221109</b>
		•	•	<b>CONE4132221109</b>
	12 V/DC series wiring to connect to central mains power supply	•		<b>CONE4131221209</b>
		•	•	<b>CONE4132221209</b>

Showers electronic

## Accessories optional for CONSMART shower panel, AVW

	Used for	Description	Article number
Accessories for CONSMART (see also chapter Accessories)	Integration Service APP	BLE Converter for Service APP for CONTI+ faucets per shower panel 1 piece	<b>CONO260000</b>
	Electronical thermal disinfection via CNX	CNX Converter, 30 V – 6 V for connecting CONTI+ faucets per shower panel 1 piece	<b>CONO210000</b>
		Switch key per control box 1 piece	<b>CONO330000</b>
		Temperature sensor for CONSMART water path per shower panel 1 piece	<b>CONO410010</b>
		Solenoid valve II per shower panel 1 piece	<b>CONO320000</b>
	Electronical thermal disinfection via key switch	Set thermal disinfection for CONTI+ faucets with mains power supply per shower panel 1 piece	<b>CONO322000</b>
		Key switch per main supply per power supply unit 1 piece	<b>CONO330010</b>
		Solenoid valve per shower panel 1 piece	<b>CONO320000</b>
	Manual thermal disinfection	Manual plug TD per shower panel 1 piece	<b>CONO310000</b>
	Integration of cleaning stop	Set cleaning stop per shower panel 1 piece	<b>CONO610000</b>
	Soap dishes	Soap dish stainless steel, 220x40/15x65 mm, for wall installation	<b>CONO680000</b>
		Soap dish ABS silver mat, 162x41x62 mm, for wall and panel installation	<b>CONO681000</b>
	Cover extension	AVW	<b>CONO661000</b>

## CONBASE shower panel, stainless steel, piezo switch, DN15



### CONBASE shower panel, stainless steel, piezo switch, DN15

Electronic shower faucet designed as shower panel in nominal diameter DN15. For connection to premixed water. Application in new construction building and renovation in commercial, semi-public and public sanitary facilities.

- Cover and mounting angles made of stainless steel 1.4301
- All visible surfaces brushed stainless steel
- Water line with solenoid valve 6 V/DC ROBUST, bistable, DN15
- Electronic operation of the shower function via piezo switch with start/stop function; Piezo switch: colour ring red, rosette high-gloss chrome-plated
- The water flow time of the shower function is easily adjustable.
- Connection possible from above or from rear
- The water flow time of the shower function is easily adjustable.
- Interval hygiene flush to prevent stagnation

Battery: 6 V lithium, waterproof encased; life up to 4 years


Mains: Power supply via 12 V/DC power supply unit

#### Execution options:

##### Hygienic flush (mains/battery):

Hygienic flush (electronic): the hygienic flush can be carried out in electronic showers by programming via piezo switch or Service APP per shower.

## CONBASE shower panel, stainless steel, piezo switch, DN15

<p><b>Technical data:</b></p> <p>Operating voltage (Battery): 6 V/DC          Operating voltage (mains): 12 V/DC          Operating pressure: 1,5-5,0 bar          Water temp. standard operation (max.): 70 °C          Flow rate DN15: 0,15 l/s (flow rate regulator)          Water flow time setting range: 3-180 s          Water flow time factory setting: 30 s          Hygienic flush setting range: 12, 24 oder 72 h, can be deactivated via setting on piezo switch, other hygienic flush intervals can be set via Service APP          Hygienic flush factory setting: 12 h after last water flow activation, 30 s water flow time          Electronic protection class: IP68          Dimensions: (WxHxD) 110x1370x60 mm</p>		<p><b>Required accessories:</b></p> <p>Shower head, hand shower set, central mains power supply unit</p>	
			
Version	Power supply	Hygienic flush	Article number for version shower head
Battery	6 V/DC Lithium battery waterproof encased	•	<b>CONE0110173100</b>
Mains	12 V/DC series wiring to connect to central mains power supply (see chapter accessories)	•	<b>CONE0110173200</b>
Shower heads	See chapter shower heads	CONHEAD jet shower head GOLF	<b>CONO010010</b>
		CONHEAD rain shower head RAIN2	<b>CONO020010</b>
		CONHEAD rain shower head SHORTY	<b>CONO030010</b>
		CONHEAD jet shower head VESUV	<b>CONO060010</b>
		CONHEAD jet shower head CITY	<b>CONO050010</b>

## CONCASH 2.0 shower panel, stainless steel, thermostat, piezo switch, DN15



### CONCASH 2.0 shower panel stainless steel, thermostat, piezo switch, DN15, mains, paid water release

Electronic shower faucet for electronically controlled paid water release. Designed as shower panel in nominal diameter DN15. With thermostatic mixing device for connection to cold and hot water. Application in new construction building and renovation in commercial, semi-public and public sanitary facilities.

- Stainless steel shower panel. Model with two wall brackets, including mounting material
- Cover and wall bracket made of stainless steel 1.4301
- All visible surfaces made of brushed stainless steel
- Multifunction tool for maintenance work
- Adaptive multifunctional water path CONGENIAL with solenoid valve 6 V/DC ROBUST, bistable
- Upgrade and retrofitting functions
- Water path: dezincification resistant forged brass, as a high-quality thermostatic mixer, thermostat handle: chromed brass
- Visible components made of solid, chromed brass, with safety stop
- Choice of temperature setting range
- Integrated check valve in the bypass and check valve and strainer cartridges for water inlets
- All functional parts can be dismantled from the front during maintenance work without removing the valve body
- Electronic operation of the shower function via piezo switch after release by coin validator

Mains: Power supply over 24 V/DC power supply for surface-mounted version in installation box or for DIN top-hat rail mounting

#### Execution options:

##### Cover versions:

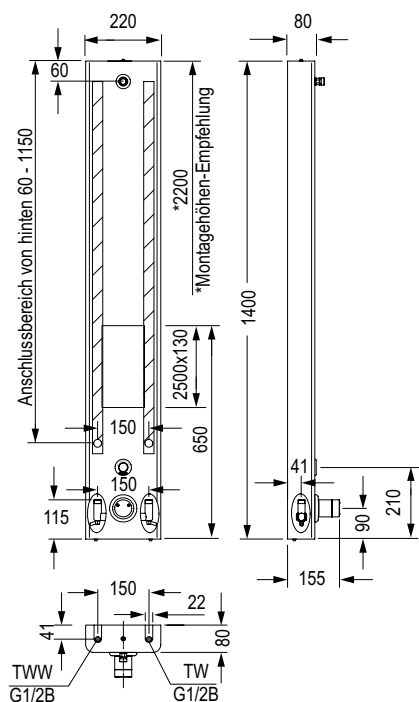
With or without seamlessly integrated soap dish.

##### Hygienic flush (mains):

Hygienic flush (electronic): the hygienic flush is carried out by CONCASH showers through programming via the coin validator.




##### Paid water release:

The water flow time and payment parameters can be accessed via the coin validator.



## CONCASH 2.0 shower panel, stainless steel, thermostat, piezo switch, DN15

<p><b>Technical data:</b></p> <p>Operating voltage (mains): 24 V/DC          Operating pressure: 1,5-5,0 bar          Water temp. standard operation (max.): 70 °C          Flow rate DN15: 0,15 l/s (flow rate regulator)          Water flow time setting range (max.): 1000 min          Hygienic flush setting range: 0-240 s          via the coin validator          Electronic protection type: IP68          Dimensions (HxWxD): 1400x220x80 mm</p>	<p><b>Required accessories:</b></p> <p>Shower head, hand shower set,          central mains power supply          CONCASH 2.0 coin validator</p> <p><b>Optional accessories:</b></p> <p>Connection set          Cover extension          Tokens</p>
---	---

						
Version	Power supply	Hygienic flush	Paid water release	Integrated shelf	Article number for version hand shower	Article number for version shower head
	24 V/DC series wiring (see accessories)	•	•		<b>CONE0811211270</b>	<b>CONE0711211270</b>
		•	•	•	<b>CONE0812211270</b>	<b>CONE0712211270</b>
Shower heads	See chapter shower heads	CONHEAD jet shower head GOLF				<b>CONO010010</b>
		CONHEAD rain shower head RAIN2				<b>CONO020010</b>
		CONHEAD rain shower head SHORTY				<b>CONO030010</b>
		CONHEAD jet shower head VESUV				<b>CONO060010</b>
		CONHEAD jet shower head CITY				<b>CONO050010</b>
		CONHEAD hand shower set			<b>CONO040010</b>	

## CONCASH 2.0 shower panel, AVW, thermostat, piezo switch, DN15



### CONCASH 2.0 shower panel AVW, thermostat, piezo switch, DN15, mains, paid water release

Electronic shower faucet for electronically controlled paid water release. Designed as shower panel in nominal diameter DN15. With thermostatic mixing device for connection to cold and hot water. Application in new construction building and renovation in commercial, semi-public and public sanitary facilities.

- AVW shower panel. Model with wall brackets for mounting the water path, including mounting material
- Cover 2K-acrylic composite material, break-proof and impact resistant, very easy to clean
- Wall bracket made of stainless steel 1.4301
- Multifunction tool for maintenance work
- Adaptive multifunctional water path CONGENIAL with solenoid valve 6 V/DC ROBUST, bistable
- Upgrade and retrofitting functions
- Water path: dezincification resistant forged brass, as a high-quality thermostatic mixer, thermostat handle: chromed brass
- Visible components made of solid, chromed brass, with safety stop
- Choice of temperature setting range
- Integrated check valve in the bypass and check valve and strainer cartridges for water inlets
- All functional parts can be dismantled from the front during maintenance work without removing the valve body
- Electronic operation of the shower function via piezo switch after release by coin validator

Mains: Power supply over 24 V/DC power supply for surface-mounted version in installation box or for DIN top-hat rail mounting

#### Execution options:

##### Cover versions:

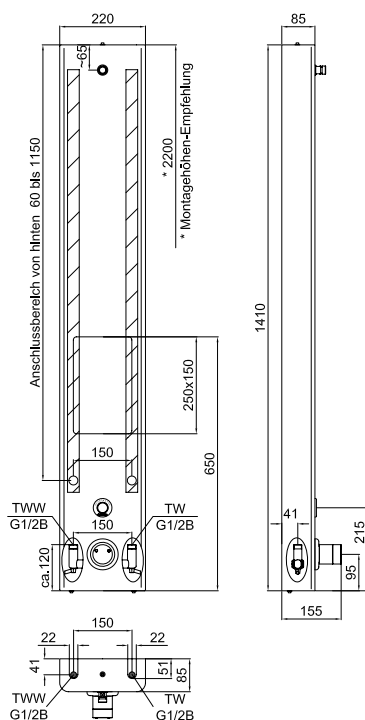
With or without seamlessly integrated soap dish.

##### Hygienic flush (mains):

Hygienic flush (electronic): the hygienic flush is carried out by CONCASH showers through programming via the coin validator.




##### Paid water release:

The water flow time and payment parameters can be accessed via the coin validator.



## CONCASH 2.0 shower panel, AWW, thermostat, piezo switch, DN15

<p><b>Technical data:</b></p> <p>Operating voltage (mains): 24 V/DC          Operating pressure: 1,5-5,0 bar          Water temp. standard operation (max.): 70 °C          Flow rate DN15: 0,15 l/s (flow rate regulator)          Water flow time setting range (max.): 1000 min          Hygienic flush setting range: 0-240 s          via the coin validator          Electronic protection type: IP68          Dimensions (HxWxD): 1410x220x85 mm</p>	<p><b>Required accessories:</b></p> <p>Shower head, hand shower set,          central mains power supply          CONCASH 2.0 coin validator</p> <p><b>Optional accessories:</b></p> <p>Connection set          Cover extension          Tokens</p>
---	---

						
Version	Power supply	Hygienic flush	Paid water release	Integrated shelf	Article number for version hand shower	Article number for version shower head
	24 V/DC series wiring (see accessories)	•	•		<b>CONE0831211270</b>	<b>CONE0731211270</b>
		•	•	•	<b>CONE0832211270</b>	<b>CONE0732211270</b>
Shower heads	See chapter shower heads	CONHEAD jet shower head GOLF				<b>CONO010010</b>
		CONHEAD rain shower head RAIN2				<b>CONO020010</b>
		CONHEAD rain shower head SHORTY				<b>CONO030010</b>
		CONHEAD jet shower head VESUV				<b>CONO060010</b>
		CONHEAD jet shower head CITY				<b>CONO050010</b>
		CONHEAD hand shower set				<b>CONO040010</b>

# CONGENIAL concealed shower, stainless steel, round, thermostat, piezo switch, DN15

Showers  
electronic



## CONGENIAL concealed shower, stainless steel, round, thermostat, piezo switch, DN15 - final assembly kit

Final assembly kit for electronic shower, device designed as concealed shower in nominal diameter DN15. With thermostatic mixing device for connection to cold and hot water. Application in new construction building and renovation in commercial, semi-public and public sanitary facilities.

- Concealed shower final assembly kit with round cover plate
- Concealed mounting, robust quadruple lock, multi sealing system with drainage system for condensation
- Cover plate: stainless steel 1.4301, all visible surfaces made of brushed stainless steel
- Support frame for cover plate: ABS with EPDM lip seal
- Implementing functional elements and thermostat incl. EPDM sealing rings
- Multifunction tool for maintenance work
- Adaptive multifunctional water path CONGENIAL with solenoid valve 6 V/DC ROBUST, bistable
- Upgrade and retrofitting functions
- Water path: dezincification resistant forged brass, as a high-quality thermostatic mixer thermostat handle: chromed brass
- Visible components made of solid, chromed brass, with safety stop
- Choice of temperature setting range
- Integrated check valve in the bypass and check valve and strainer cartridges for water inlets
- All functional parts can be disassembled during maintenance work without removing the valve body
- Electronic operation of the shower function via piezo switch with start/stop function, piezo switch: colour ring red, rosette chrome plated
- The water flow time of the shower function is easily adjustable.
- Interval hygiene flush to prevent stagnation

Battery: 6V Lithium waterproof encased, lifetime up to 4 years  
 Mains: Power supply over 12 V/DC power supply for surface-mounted version in installation box or for DIN top-hat rail mounting  
 Mains (CNX): Power supply over 30 V/DC power supply in the control panels 64 and 150

### Execution options:

#### Hygienic flush (mains/battery):

Hygienic flush (electronic): the hygienic flush can be carried out in electronic showers by programming via the piezo switch or the Service APP per shower.

#### Hygienic flush key switch (mains/battery):

The hygienic flush can be carried out in electronic showers by programming via the piezo switch or the Service APP per shower and can be triggered directly by actuating a key switch.

#### Thermal disinfection (mains):

The thermal disinfection in an electronic shower with an installed second bistable solenoid valve 6 V/DC DN15 can be triggered by actuating a key switch.

#### Cleaning stop (mains/battery):

The cleaning stop can be activated in electronic showers by positioning a magnet - RC Switch, on the cover respectively cover plate. Shower function via actuation of the piezo switch is interrupted for the time the magnet is positioned there.

#### Water flow time CNX:

The water flow time of the shower function can be set and disabled for electronic showers, integrated into the CNX Water Management System, through the software parameter settings per shower or shower group.

#### Hygienic flush CNX:

The hygienic flush can be set and disabled for electronic showers, integrated into the CNX Water Management System, by the software parameter settings per shower or shower group as interval or calendar function.

#### Thermal disinfection CNX:

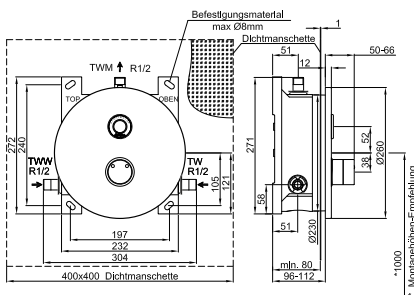
The thermal disinfection can be set as a calendar function in electronic showers, integrated into the CNX Water Management System, by the software parameter settings per shower group.

#### Cleaning stop CNX:

The operation stop (cleaning stop), interruption of the shower function, can be set in electronic showers, integrated into the CNX Water Management System, by the software parameter settings per shower or shower group as a calendar function.

#### CNX Water Management System:

Integration of the shower into the software-controlled Water Management System for the automatic depiction of hygiene, system and safety functions of electronic showers, lavatory faucets and urinal flush valves at the BUS level. Parametrisation of individual devices and device groups. Tamper-proof documentation of all operating, action and function messages.













# CONGENIAL concealed shower, stainless steel, round, thermostat, piezo switch, DN15

Showers electronic

<p><b>Technical data:</b></p> <p>Operating voltage (battery): 6 V/DC          Operating voltage (mains): 12 V/DC          Operating voltage (CNX): 30 V/DC          Operating pressure: 1,5-5,0 bar          Water temp. standard operation (max.): 70 °C          Water temp. thermal disinfection: Short-term for therm. disinfection 80 °C          Flow rate DN15: 0,15 l/s (flow rate regulator)          Flow rate during thermal disinfection DN15: 0,05 l/s (flow rate regulator)          Water flow time setting range: 3-180 s          Water flow time factory setting: 30 s          Hygienic flush setting range: 12, 24 or 72 h, can be deactivated via setting on piezo switch, other hygienic flush intervals can be set via Service APP          Hygienic flush factory setting: 12 h after last water flow activation, 30 s water flow time          Electronic protection type: IP68          Dimensions (ØxD): 260x12 mm</p>	<p><b>Required accessories:</b>          CONR0112 raw mounting set, alternatively CONR1112, shower head, hand shower set, central mains power supply or CNX central operation unit, CNX Converter, BLE Converter, Key switch for hygienic flush or thermal disinfection (see chapter accessories)</p> <p><b>Optional accessories:</b>          Manual TD plug for thermal disinfection, Extension sets</p> <p><b>Note:</b>          For the water path CNX with thermal disinfection, the temperature sensor is already included in the scope of delivery.</p>
---	--

								
Version	Power supply	Hygienic flush	Hygienic flush key switch	Therm. disinfection (electronic)	Thermal disinfection CNX	Cleaning stop	Article number	
	6 V/DC Lithium battery waterproof encased	•					<b>CONE2113211100</b>	
		•				•	<b>CONE2113211140</b>	
	12 V/DC series wiring to connect to central mains power supply (see chapter accessories)	•					<b>CONE2113211200</b>	
		•	•				<b>CONE2113211210</b>	
		•		•				<b>CONE2113211230</b>
		•					•	<b>CONE2113211240</b>
	30 V/DC bus cabling to CNX central operating unit (see chapter accessories)	•				•	<b>CONE2113211336</b>	
		•			•	•	<b>CONE2113211360</b>	
Shower heads	See chapter shower heads	CONHEAD jet shower head GOLF					<b>CONO010000</b>	
		CONHEAD rain shower head RAIN2					<b>CONO020000</b>	
		CONHEAD rain shower head SHORTY					<b>CONO030000</b>	
		CONHEAD jet shower head VESUV					<b>CONO060000</b>	
		CONHEAD jet shower head CITY					<b>CONO050000</b>	
		CONHEAD hand shower set					<b>CONO040000</b>	

# CONGENIAL concealed shower, stainless steel, angular, thermostat, piezo switch, DN15



## CONGENIAL concealed shower, stainless steel, angular, thermostat, Piezo, DN15 - final assembly kit

Final assembly kit for electronic shower, device designed as concealed shower in nominal diameter DN15. With thermostatic mixing device for connection to cold and hot water. Application in new construction building and renovation in commercial, semi-public and public sanitary facilities.

- Concealed shower final assembly kit with angular cover plate
- Concealed mounting, robust quadruple lock, multi sealing system with drainage system for condensation
- Cover plate: stainless steel 1.4301, all visible surfaces made of brushed stainless steel
- Support frame for cover plate: ABS with EPDM lip seal
- Implementing functional elements and thermostat incl. EPDM sealing rings
- Multifunction tool for maintenance work
- Adaptive multifunctional water path CONGENIAL with solenoid valve 6 V/DC ROBUST, bistable
- Upgrade and retrofitting functions
- Water path: dezincification resistant forged brass, as a high-quality thermostatic mixer, thermostat handle: chromed brass
- Visible components made of solid, chromed brass, with safety stop
- Choice of temperature setting range
- Integrated check valve in the bypass and check valve and strainer cartridges for water inlets
- All functional parts can be disassembled during maintenance work without removing the valve body
- Electronic operation of the shower function via piezo switch with start/stop function, piezo switch: colour ring red, rosette chrome plated
- The water flow time of the shower function is easily adjustable.
- Interval hygiene flush to prevent stagnation

Battery:	6V Lithium waterproof encased, lifetime up to 4 years
Mains:	Power supply over 12 V/DC power supply for surface-mounted version in installation box or for DIN top-hat rail mounting
Mains (CNX):	Power supply over 30 V/DC power supply in the control panels 64 and 150

### Execution options:

#### Hygienic flush (mains/battery):

Hygienic flush (electronic): the hygienic flush can be carried out in electronic showers by programming via the piezo switch or the Service APP per shower.

#### Hygienic flush key switch (mains/battery):

The hygienic flush can be carried out in electronic showers by programming via the piezo switch or the Service APP per shower and can be triggered directly by actuating a key switch.

#### Thermal disinfection (mains):

The thermal disinfection in an electronic shower with an installed second bistable solenoid valve 6 V/DC DN15 can be triggered by actuating a key switch.

#### Cleaning stop (mains/battery):

The cleaning stop can be activated in electronic showers by positioning a magnet - RC Switch, on the cover respectively cover plate. Shower function via actuation of the piezo switch is interrupted for the time the magnet is positioned there.

#### Water flow time CNX:

The water flow time of the shower function can be set and disabled for electronic showers, integrated into the CNX Water Management System, through the software parameter settings per shower or shower group.

#### Hygienic flush CNX:

The hygienic flush can be set and disabled for electronic showers, integrated into the CNX Water Management System, by the software parameter settings per shower or shower group as interval or calendar function.

#### Thermal disinfection CNX:

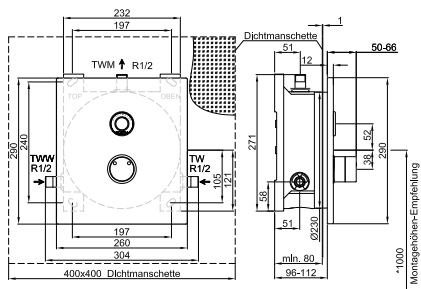
The thermal disinfection can be set as a calendar function in electronic showers, integrated into the CNX Water Management System, by the software parameter settings per shower group.

#### Cleaning stop CNX:

The operation stop (cleaning stop), interruption of the shower function, can be set in electronic showers, integrated into the CNX Water Management System, by the software parameter settings per shower or shower group as a calendar function.

#### CNX Water Management System:









Integration of the shower into the software-controlled Water Management System for the automatic depiction of hygiene, system and safety functions of electronic showers, lavatory faucets and urinal flush valves at the BUS level. Parametrisation of individual devices and device groups. Tamper-proof documentation of all operating, action and function messages.



# CONGENIAL concealed shower, stainless steel, angular, thermostat, piezo switch, DN15

Showers  
electronic

<p><b>Technical data:</b></p> <p>Operating voltage (battery): 6 V/DC          Operating voltage (mains): 12 V/DC          Operating voltage (CNX): 30 V/DC          Operating pressure: 1,5-5,0 bar          Water temp. standard operation (max.): 70 °C          Water temp. thermal disinfection: Short-term for therm. disinfection 80 °C          Flow rate DN15: 0,15 l/s (flow rate regulator)          Flow rate during thermal disinfection DN15: 0,05 l/s (flow rate regulator)          Water flow time setting range: 3-180 s          Water flow time factory setting: 30 s          Hygienic flush setting range: 12, 24 or 72 h, can be deactivated via setting on piezo switch, other hygienic flush intervals can be set via Service APP          Hygienic flush factory setting: 12 h after last water flow activation, 30 s water flow time          Electronic protection type: IP68          Dimensions (HxWxD): 290x260x12 mm</p>	<p><b>Required accessories:</b>          CONR0112 raw mounting set, alternatively CONR1112, shower head, hand shower set, central mains power supply or CNX central operation unit, CNX Converter, BLE Converter, Key switch for hygienic flush or thermal disinfection (see chapter accessories)</p> <p><b>Optional accessories:</b>          Manual TD plug for thermal disinfection, Extension sets</p> <p><b>Note:</b>          For the water path CNX with thermal disinfection, the temperature sensor is already included in the scope of delivery.</p>
---	--

								
Version	Power supply	Hygienic flush	Hygienic flush key switch	Therm. disinfection (electronic)	Thermal disinfection CNX	Cleaning stop	Article number	
	6 V/DC Lithium battery waterproof encased	•					<b>CONE2115211100</b>	
		•				•	<b>CONE2115211140</b>	
	12 V/DC series wiring to connect to central mains power supply (see chapter accessories)	•					<b>CONE2115211200</b>	
		•	•				<b>CONE2115211210</b>	
		•		•				<b>CONE2115211230</b>
		•					•	<b>CONE2115211240</b>
	30 V/DC bus cabling to CNX central operating unit (see chapter accessories)	•				•	<b>CONE2115211336</b>	
		•			•	•	<b>CONE2115211360</b>	
Shower heads	See chapter shower heads	CONHEAD jet shower head GOLF					<b>CONO010000</b>	
		CONHEAD rain shower head RAIN2					<b>CONO020000</b>	
		CONHEAD rain shower head SHORTY					<b>CONO030000</b>	
		CONHEAD jet shower head VESUV					<b>CONO060000</b>	
		CONHEAD jet shower head CITY					<b>CONO050000</b>	
		CONHEAD hand shower set					<b>CONO040000</b>	

# CONGENIAL FIT concealed shower, stainless steel, round, thermostat, piezo switch, DN15



## CONGENIAL FIT concealed shower, stainless steel, round, thermostat, piezo switch, DN15 - final assembly kit

Final assembly kit for electronic shower, device designed as concealed shower in nominal diameter DN15. With thermostatic mixing device for connection to cold and hot water. Application in new construction building and renovation in commercial, semi-public and public sanitary facilities.

- Concealed shower final assembly kit with round cover plate
- Concealed mounting, robust double lock, multi sealing system with drainage system for condensation
- Cover plate: stainless steel 1.4301, all visible surfaces made of brushed stainless steel
- Support frame for cover plate
- Implementing functional elements and thermostat incl. EPDM sealing rings
- Multifunction tool for maintenance work
- Adaptive multifunctional water path CONGENIAL FIT with solenoid valve 6 V/DC ROBUST, bistable
- Upgrade and retrofitting functions
- Water path: dezincification resistant forged brass, as a high-quality thermostatic mixer, thermostat handle: chromed brass
- Visible components made of solid, chromed brass, with safety stop
- Choice of temperature setting range
- Integrated check valve in the bypass and check valve and strainer cartridges for water inlets
- All functional parts can be disassembled during maintenance work without removing the valve body
- Electronic operation of the shower function via piezo switch with start/stop function, piezo switch: colour ring red, rosette chrome plated
- The water flow time of the shower function is easily adjustable.
- Interval hygiene flush to prevent stagnation

Battery: 6V Lithium waterproof encased, lifetime up to 4 years  
 Mains: Power supply over 12 V/DC power supply for surface-mounted version in installation box or for DIN top-hat rail mounting  
 Mains (CNX): Power supply over 30 V/DC power supply in the control panels 64 and 150

### Execution options:

#### Hygienic flush (mains/battery):

Hygienic flush (electronic): the hygienic flush can be carried out in electronic showers by programming via the piezo switch or the Service APP per shower.

#### Hygienic flush key switch (mains/battery):

The hygienic flush can be carried out in electronic showers by programming via the piezo switch or the Service APP per shower and can be triggered directly by actuating a key switch.

#### Thermal disinfection (mains):

The thermal disinfection in an electronic shower with an installed second bistable solenoid valve 6 V/DC DN15 can be triggered by actuating a key switch.

#### Cleaning stop (mains/battery):

The cleaning stop can be activated in electronic showers by positioning a magnet - RC Switch, on the cover respectively cover plate. Shower function via actuation of the piezo switch is interrupted for the time the magnet is positioned there.

#### Water flow time CNX:

The water flow time of the shower function can be set and disabled for electronic showers, integrated into the CNX Water Management System, through the software parameter settings per shower or shower group.

#### Hygienic flush CNX:

The hygienic flush can be set and disabled for electronic showers, integrated into the CNX Water Management System, by the software parameter settings per shower or shower group as interval or calendar function.

#### Thermal disinfection CNX:

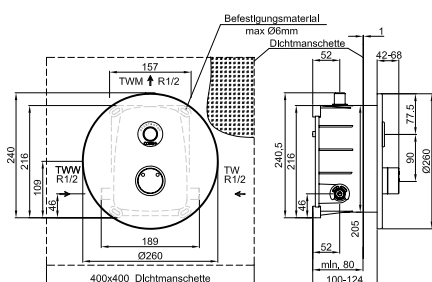
The thermal disinfection can be set as a calendar function in electronic showers, integrated into the CNX Water Management System, by the software parameter settings per shower group.

#### Cleaning stop CNX:

The operation stop (cleaning stop), interruption of the shower function, can be set in electronic showers, integrated into the CNX Water Management System, by the software parameter settings per shower or shower group as a calendar function.

#### CNX Water Management System:









Integration of the shower into the software-controlled Water Management System for the automatic depiction of hygiene, system and safety functions of electronic showers, lavatory faucets and urinal flush valves at the BUS level. Parametrisation of individual devices and device groups. Tamper-proof documentation of all operating, action and function messages.



# CONGENIAL FIT concealed shower, stainless steel, round, thermostat, piezo switch, DN15

Showers  
electronic

<p><b>Technical data:</b></p> <p>Operating voltage (battery): 6 V/DC          Operating voltage (mains): 12 V/DC          Operating voltage (CNX): 30 V/DC          Operating pressure: 1,5-5,0 bar          Water temp. standard operation (max.): 70 °C          Water temp. thermal disinfection: Short-term for therm. disinfection 80 °C          Flow rate DN15: 0,15 l/s (flow rate regulator)          Flow rate during thermal disinfection DN15: 0,05 l/s (flow rate regulator)          Water flow time setting range: 3-180 s          Water flow time factory setting: 30 s          Hygienic flush setting range: 12, 24 or 72 h, can be deactivated via setting on piezo switch, other hygienic flush intervals can be set via Service APP          Hygienic flush factory setting: 12 h after last water flow activation, 30 s water flow time          Electronic protection type: IP68          Dimensions (ØxD): 260x12 mm</p>	<p><b>Required accessories:</b>          CONR0112 raw mounting set, shower head, hand shower set, central mains power supply or CNX central operation unit, CNX Converter, BLE Converter, Key switch for hygienic flush or thermal disinfection (see chapter accessories)</p> <p><b>Optional accessories:</b>          Manual TD plug for thermal disinfection</p> <p><b>Note:</b>          For the water path CNX with thermal disinfection, the temperature sensor is already included in the scope of delivery.</p>
---	--

							
Version	Power supply	Hygienic flush	Hygienic flush key switch	Therm. disinfection (electronic)	Thermal disinfection CNX	Cleaning stop	Article number
	6 V/DC Lithium battery waterproof encased	•					<b>CONE2114211100</b>
		•				•	<b>CONE2114211140</b>
	12 V/DC series wiring to connect to central mains power supply (see chapter accessories)	•					<b>CONE2114211200</b>
		•	•				<b>CONE2114211210</b>
		•		•			<b>CONE2114211230</b>
		•				•	<b>CONE2114211240</b>
	30 V/DC bus cabling to CNX central operating unit (see chapter accessories)	•				•	<b>CONE2114211336</b>
		•			•	•	<b>CONE2114211360</b>
Shower heads	See chapter shower heads	CONHEAD jet shower head GOLF					<b>CONO010000</b>
		CONHEAD rain shower head RAIN2					<b>CONO020000</b>
		CONHEAD rain shower head SHORTY					<b>CONO030000</b>
		CONHEAD jet shower head VESUV					<b>CONO060000</b>
		CONHEAD jet shower head CITY					<b>CONO050000</b>
		CONHEAD hand shower set					<b>CONO040000</b>

# CONGENIAL FIT concealed shower, chromed, round, thermostat, piezo switch, DN15



## CONGENIAL FIT concealed shower, chromed, round, thermostat, piezo switch, DN15 - final assembly kit

Final assembly kit for electronic shower, device designed as concealed shower in nominal diameter DN15. With thermostatic mixing device for connection to cold and hot water. Application in new construction building and renovation in commercial, semi-public and public sanitary facilities.

- Concealed shower final assembly kit with round cover plate
- Concealed mounting, robust double lock, multi sealing system with drainage system for condensation
- Cover plate: stainless steel 1.4301, all visible surfaces made of chromed stainless steel
- Support frame for cover plate
- Implementing functional elements and thermostat incl. EPDM sealing rings
- Multifunction tool for maintenance work
- Adaptive multifunctional water path CONGENIAL FIT with solenoid valve 6 V/DC ROBUST, bistable
- Upgrade and retrofitting functions
- Water path: dezincification resistant forged brass, as a high-quality thermostatic mixer, thermostat handle: chromed brass
- Visible components made of solid, chromed brass, with safety stop
- Choice of temperature setting range
- Integrated check valve in the bypass and check valve and strainer cartridges for water inlets
- All functional parts can be disassembled during maintenance work without removing the valve body
- Electronic operation of the shower function via piezo switch with start/stop function, piezo switch: colour ring red, rosette chrome plated
- The water flow time of the shower function is easily adjustable.
- Interval hygiene flush to prevent stagnation

Battery: 6V Lithium waterproof encased, lifetime up to 4 years  
 Mains: Power supply over 12 V/DC power supply for surface-mounted version in installation box or for DIN top-hat rail mounting  
 Mains (CNX): Power supply over 30 V/DC power supply in the control panels 64 and 150

### Execution options:

#### Hygienic flush (mains/battery):

Hygienic flush (electronic): the hygienic flush can be carried out in electronic showers by programming via the piezo switch or the Service APP per shower.

#### Hygienic flush key switch (mains/battery):

The hygienic flush can be carried out in electronic showers by programming via the piezo switch or the Service APP per shower and can be triggered directly by actuating a key switch.

#### Thermal disinfection (mains):

The thermal disinfection in an electronic shower with an installed second bistable solenoid valve 6 V/DC DN15 can be triggered by actuating a key switch.

#### Cleaning stop (mains/battery):

The cleaning stop can be activated in electronic showers by positioning a magnet - RC Switch, on the cover respectively cover plate. Shower function via actuation of the piezo switch is interrupted for the time the magnet is positioned there.

#### Water flow time CNX:

The water flow time of the shower function can be set and disabled for electronic showers, integrated into the CNX Water Management System, through the software parameter settings per shower or shower group.

#### Hygienic flush CNX:

The hygienic flush can be set and disabled for electronic showers, integrated into the CNX Water Management System, by the software parameter settings per shower or shower group as interval or calendar function.

#### Thermal disinfection CNX:

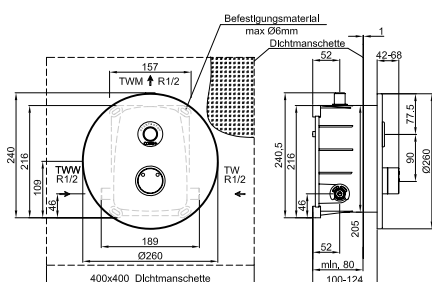
The thermal disinfection can be set as a calendar function in electronic showers, integrated into the CNX Water Management System, by the software parameter settings per shower group.

#### Cleaning stop CNX:

The operation stop (cleaning stop), interruption of the shower function, can be set in electronic showers, integrated into the CNX Water Management System, by the software parameter settings per shower or shower group as a calendar function.

#### CNX Water Management System:









Integration of the shower into the software-controlled Water Management System for the automatic depiction of hygiene, system and safety functions of electronic showers, lavatory faucets and urinal flush valves at the BUS level. Parametrisation of individual devices and device groups. Tamper-proof documentation of all operating, action and function messages.



# CONGENIAL FIT concealed shower, chromed, round, thermostat, piezo switch, DN15

Showers  
electronic

<p><b>Technical data:</b></p> <p>Operating voltage (battery): 6 V/DC          Operating voltage (mains): 12 V/DC          Operating voltage (CNX): 30 V/DC          Operating pressure: 1,5-5,0 bar          Water temp. standard operation (max.): 70 °C          Water temp. thermal disinfection: Short-term for therm. disinfection 80 °C          Flow rate DN15: 0,15 l/s (flow rate regulator)          Flow rate during thermal disinfection DN15: 0,05 l/s (flow rate regulator)          Water flow time setting range: 3-180 s          Water flow time factory setting: 30 s          Hygienic flush setting range: 12, 24 or 72 h, can be deactivated via setting on piezo switch, other hygienic flush intervals can be set via Service APP          Hygienic flush factory setting: 12 h after last water flow activation, 30 s water flow time          Electronic protection type: IP68          Dimensions (ØxD): 260x12 mm</p>	<p><b>Required accessories:</b></p> <p>CONR0112 raw mounting set, shower head, hand shower set, central mains power supply or CNX central operation unit, CNX Converter, BLE Converter, Key switch for hygienic flush or thermal disinfection (see chapter accessories)</p> <p><b>Optional accessories:</b></p> <p>Manual TD plug for thermal disinfection</p> <p><b>Note:</b></p> <p>For the water path CNX with thermal disinfection, the temperature sensor is already included in the scope of delivery.</p>
---	--

								
Version	Power supply	Hygienic flush	Hygienic flush key switch	Therm. disinfection (electronic)	Thermal disinfection CNX	Cleaning stop	Article number	
	6 V/DC Lithium battery waterproof encased	•					<b>CONE2154211100</b>	
		•				•	<b>CONE2154211140</b>	
	12 V/DC series wiring to connect to central mains power supply (see chapter accessories)	•					<b>CONE2154211200</b>	
		•	•				<b>CONE2154211210</b>	
		•		•				<b>CONE2154211230</b>
		•					•	<b>CONE2154211240</b>
	30 V/DC bus cabling to CNX central operating unit (see chapter accessories)	•				•	<b>CONE2154211336</b>	
		•			•	•	<b>CONE2154211360</b>	
Shower heads	See chapter shower heads	CONHEAD jet shower head GOLF					<b>CONO010000</b>	
		CONHEAD rain shower head RAIN2					<b>CONO020000</b>	
		CONHEAD rain shower head SHORTY					<b>CONO030000</b>	
		CONHEAD jet shower head VESUV					<b>CONO060000</b>	
		CONHEAD jet shower head CITY					<b>CONO050000</b>	
		CONHEAD hand shower set					<b>CONO040000</b>	

# CONGENIAL FIT concealed shower, stainless steel, angular, thermostat, piezo switch, DN15

Showers  
electronic



## CONGENIAL FIT concealed shower, stainless steel, angular, thermostat, piezo switch, DN15 - final assembly kit

Final assembly kit for electronic shower device, designed as concealed shower in nominal diameter DN15. With thermostatic mixing device for connection to cold and hot water. Application in new construction building and renovation in commercial, semi-public and public sanitary facilities.

- Concealed shower final assembly kit with angular cover plate
- Concealed mounting, robust double lock, multi sealing system with drainage system for condensation
- Cover plate: stainless steel 1.4301, all visible surfaces made of brushed stainless steel
- Support frame for cover plate
- Implementing functional elements and thermostat incl. EPDM sealing rings
- Multifunction tool for maintenance work
- Adaptive multifunctional water path CONGENIAL FIT with solenoid valve 6 V/DC ROBUST, bistable
- Upgrade and retrofitting functions
- Water path: dezincification resistant forged brass, as a high-quality thermostatic mixer, thermostat handle: chromed brass
- Visible components made of solid, chromed brass, with safety stop
- Choice of temperature setting range
- Integrated check valve in the bypass and check valve and strainer cartridges for water inlets
- All functional parts can be disassembled during maintenance work without removing the valve body
- Electronic operation of the shower function via piezo switch with start/stop function, piezo switch: colour ring red, rosette chrome plated
- The water flow time of the shower function is easily adjustable.
- Interval hygiene flush to prevent stagnation

Battery: 6V Lithium waterproof encased, lifetime up to 4 years  
 Mains: Power supply over 12 V/DC power supply for surface-mounted version in installation box or for DIN top-hat rail mounting  
 Mains (CNX): Power supply over 30 V/DC power supply in the control panels 64 and 150

### Execution options:

#### Hygienic flush (mains/battery):

Hygienic flush (electronic): the hygienic flush can be carried out in electronic showers by programming via the piezo switch or the Service APP per shower.

#### Hygienic flush key switch (mains/battery):

The hygienic flush can be carried out in electronic showers by programming via the piezo switch or the Service APP per shower and can be triggered directly by actuating a key switch.

#### Thermal disinfection (mains):

The thermal disinfection in an electronic shower with an installed second bistable solenoid valve 6 V/DC DN15 can be triggered by actuating a key switch.

#### Cleaning stop (mains/battery):

The cleaning stop can be activated in electronic showers by positioning a magnet - RC Switch, on the cover respectively cover plate. Shower function via actuation of the piezo switch is interrupted for the time the magnet is positioned there.

#### Water flow time CNX:

The water flow time of the shower function can be set and disabled for electronic showers, integrated into the CNX Water Management System, through the software parameter settings per shower or shower group.

#### Hygienic flush CNX:

The hygienic flush can be set and disabled for electronic showers, integrated into the CNX Water Management System, by the software parameter settings per shower or shower group as interval or calendar function.

#### Thermal disinfection CNX:

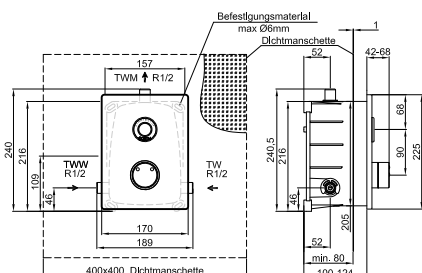
The thermal disinfection can be set as a calendar function in electronic showers, integrated into the CNX Water Management System, by the software parameter settings per shower group.

#### Cleaning stop CNX:

The operation stop (cleaning stop), interruption of the shower function, can be set in electronic showers, integrated into the CNX Water Management System, by the software parameter settings per shower or shower group as a calendar function.

#### CNX Water Management System:

Integration of the shower into the software-controlled Water Management System for the automatic depiction of hygiene, system and safety functions of electronic showers, lavatory faucets and urinal flush valves at the BUS level. Parametrisation of individual devices and device groups. Tamper-proof documentation of all operating, action and function messages.













# CONGENIAL FIT concealed shower, stainless steel, angular, thermostat, piezo switch, DN15

Showers  
electronic

<p><b>Technical data:</b></p> <p>Operating voltage (battery): 6 V/DC          Operating voltage (mains): 12 V/DC          Operating voltage (CNX): 30 V/DC          Operating pressure: 1,5-5,0 bar          Water temp. standard operation (max.): 70 °C          Water temp. thermal disinfection: Short-term for therm. disinfection 80 °C          Flow rate DN15: 0,15 l/s (flow rate regulator)          Flow rate during thermal disinfection DN15: 0,05 l/s (flow rate regulator)          Water flow time setting range: 3-180 s          Water flow time factory setting: 30 s          Hygienic flush setting range: 12, 24 or 72 h, can be deactivated via setting on piezo switch, other hygienic flush intervals can be set via Service APP          Hygienic flush factory setting: 12 h after last water flow activation, 30 s water flow time          Electronic protection type: IP68          Dimensions (WxHxD): 170x225x10 mm</p>	<p><b>Required accessories:</b>          CONR0112 raw mounting set, shower head, hand shower set, central mains power supply or CNX central operation unit, CNX Converter, BLE Converter, Key switch for hygienic flush or thermal disinfection (see chapter accessories)</p> <p><b>Optional accessories:</b>          Manual TD plug for thermal disinfection</p> <p><b>Note:</b>          For the water path CNX with thermal disinfection, the temperature sensor is already included in the scope of delivery.</p>
---	--

								
Version	Power supply	Hygienic flush	Hygienic flush key switch	Therm. disinfection (electronic)	Thermal disinfection CNX	Cleaning stop	Article number	
	6 V/DC Lithium battery waterproof encased	•					<b>CONE2116211100</b>	
		•				•	<b>CONE2116211140</b>	
	12 V/DC series wiring to connect to central mains power supply (see chapter accessories)	•					<b>CONE2116211200</b>	
		•	•				<b>CONE2116211210</b>	
		•		•				<b>CONE2116211230</b>
		•					•	<b>CONE2116211240</b>
	30 V/DC bus cabling to CNX central operating unit (see chapter accessories)	•				•	<b>CONE2116211336</b>	
		•			•	•	<b>CONE2116211360</b>	
Shower heads	See chapter shower heads	CONHEAD jet shower head GOLF					<b>CONO010000</b>	
		CONHEAD rain shower head RAIN2					<b>CONO020000</b>	
		CONHEAD rain shower head SHORTY					<b>CONO030000</b>	
		CONHEAD jet shower head VESUV					<b>CONO060000</b>	
		CONHEAD jet shower head CITY					<b>CONO050000</b>	
		CONHEAD hand shower set					<b>CONO040000</b>	

# CONGENIAL FIT concealed shower, chromed, angular, thermostat, piezo switch, DN15



## CONGENIAL FIT concealed shower, chromed, angular, thermostat, piezo switch, DN15 - final assembly kit

Final assembly kit for electronic shower device, designed as concealed shower in nominal diameter DN15. With thermostatic mixing device for connection to cold and hot water. Application in new construction building and renovation in commercial, semi-public and public sanitary facilities.

- Concealed shower final assembly kit with angular cover plate
- Concealed mounting, robust double lock, multi sealing system with drainage system for condensation
- Cover plate: stainless steel 1.4301, all visible surfaces made of chromed stainless steel
- Support frame for cover plate
- Implementing functional elements and thermostat incl. EPDM sealing rings
- Multifunction tool for maintenance work
- Adaptive multifunctional water path CONGENIAL FIT with solenoid valve 6 V/DC ROBUST, bistable
- Upgrade and retrofitting functions
- Water path: dezincification resistant forged brass, as a high-quality thermostatic mixer, thermostat handle: chromed brass
- Visible components made of solid, chromed brass, with safety stop
- Choice of temperature setting range
- Integrated check valve in the bypass and check valve and strainer cartridges for water inlets
- All functional parts can be disassembled during maintenance work without removing the valve body
- Electronic operation of the shower function via piezo switch with start/stop function, piezo switch: colour ring red, rosette chrome plated
- The water flow time of the shower function is easily adjustable.
- Interval hygiene flush to prevent stagnation

Battery: 6V Lithium waterproof encased, lifetime up to 4 years  
 Mains: Power supply over 12 V/DC power supply for surface-mounted version in installation box or for DIN top-hat rail mounting  
 Mains (CNX): Power supply over 30 V/DC power supply in the control panels 64 and 150

### Execution options:

#### Hygienic flush (mains/battery):

Hygienic flush (electronic): the hygienic flush can be carried out in electronic showers by programming via the piezo switch or the Service APP per shower.

#### Hygienic flush key switch (mains/battery):

The hygienic flush can be carried out in electronic showers by programming via the piezo switch or the Service APP per shower and can be triggered directly by actuating a key switch.

#### Thermal disinfection (mains):

The thermal disinfection in an electronic shower with an installed second bistable solenoid valve 6 V/DC DN15 can be triggered by actuating a key switch.

#### Cleaning stop (mains/battery):

The cleaning stop can be activated in electronic showers by positioning a magnet - RC Switch, on the cover respectively cover plate. Shower function via actuation of the piezo switch is interrupted for the time the magnet is positioned there.

#### Water flow time CNX:

The water flow time of the shower function can be set and disabled for electronic showers, integrated into the CNX Water Management System, through the software parameter settings per shower or shower group.

#### Hygienic flush CNX:

The hygienic flush can be set and disabled for electronic showers, integrated into the CNX Water Management System, by the software parameter settings per shower or shower group as interval or calendar function.

#### Thermal disinfection CNX:

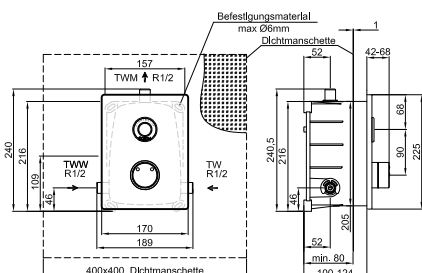
The thermal disinfection can be set as a calendar function in electronic showers, integrated into the CNX Water Management System, by the software parameter settings per shower group.

#### Cleaning stop CNX:

The operation stop (cleaning stop), interruption of the shower function, can be set in electronic showers, integrated into the CNX Water Management System, by the software parameter settings per shower or shower group as a calendar function.

#### CNX Water Management System:









Integration of the shower into the software-controlled Water Management System for the automatic depiction of hygiene, system and safety functions of electronic showers, lavatory faucets and urinal flush valves at the BUS level. Parametrisation of individual devices and device groups. Tamper-proof documentation of all operating, action and function messages.



# CONGENIAL FIT concealed shower, chromed, angular, thermostat, piezo switch, DN15

Showers electronic

<p><b>Technical data:</b></p> <p>Operating voltage (battery): 6 V/DC          Operating voltage (mains): 12 V/DC          Operating voltage (CNX): 30 V/DC          Operating pressure: 1,5-5,0 bar          Water temp. standard operation (max.): 70 °C          Water temp. thermal disinfection: Short-term for therm. disinfection 80 °C          Flow rate DN15: 0,15 l/s (flow rate regulator)          Flow rate during thermal disinfection DN15: 0,05 l/s (flow rate regulator)          Water flow time setting range: 3-180 s          Water flow time factory setting: 30 s          Hygienic flush setting range: 12, 24 or 72 h, can be deactivated via setting on piezo switch, other hygienic flush intervals can be set via Service APP          Hygienic flush factory setting: 12 h after last water flow activation, 30 s water flow time          Electronic protection type: IP68          Dimensions (WxHxD): 170x225x10 mm</p>	<p><b>Required accessories:</b></p> <p>CONR0112 raw mounting set, shower head, hand shower set, central mains power supply or CNX central operation unit, CNX Converter, BLE Converter, Key switch for hygienic flush or thermal disinfection (see chapter accessories)</p> <p><b>Optional accessories:</b></p> <p>Manual TD plug for thermal disinfection</p> <p><b>Note:</b></p> <p>For the water path CNX with thermal disinfection, the temperature sensor is already included in the scope of delivery.</p>
---	--

								
Version	Power supply	Hygienic flush	Hygienic flush key switch	Therm. disinfection (electronic)	Thermal disinfection CNX	Cleaning stop	Article number	
	6 V/DC Lithium battery waterproof encased	•					<b>CONE2156211100</b>	
		•				•	<b>CONE2156211140</b>	
	12 V/DC series wiring to connect to central mains power supply (see chapter accessories)	•					<b>CONE2156211200</b>	
		•	•				<b>CONE2156211210</b>	
		•		•				<b>CONE2156211230</b>
		•					•	<b>CONE2156211240</b>
	30 V/DC bus cabling to CNX central operating unit (see chapter accessories)	•				•	<b>CONE2156211336</b>	
		•			•	•	<b>CONE2156211360</b>	
Shower heads	See chapter shower heads	CONHEAD jet shower head GOLF					<b>CONO010000</b>	
		CONHEAD rain shower head RAIN2					<b>CONO020000</b>	
		CONHEAD rain shower head SHORTY					<b>CONO030000</b>	
		CONHEAD jet shower head VESUV					<b>CONO060000</b>	
		CONHEAD jet shower head CITY					<b>CONO050000</b>	
		CONHEAD hand shower set					<b>CONO040000</b>	

# CONGENIAL FIT concealed shower, stainless steel, oval, thermostat, piezo switch, DN15



## CONGENIAL FIT concealed shower, stainless steel, oval, thermostat, piezo switch, DN15 - final assembly kit

Final assembly kit for electronic shower, device designed as concealed shower in nominal diameter DN15. With thermostatic mixing device for connection to cold and hot water. Application in new construction building and renovation in commercial, semi-public and public sanitary facilities.

- Concealed shower final assembly kit with oval cover plate
- Concealed mounting, robust double lock, multi sealing system with drainage system for condensation
- Cover plate: stainless steel 1.4301, all visible surfaces made of brushed stainless steel
- Support frame for cover plate
- Implementing functional elements and thermostat incl. EPDM sealing rings
- Multifunction tool for maintenance work
- Adaptive multifunctional water path CONGENIAL FIT with solenoid valve 6 V/DC ROBUST, bistable
- Upgrade and retrofitting functions
- Water path: dezincification resistant forged brass, as a high-quality thermostatic mixer, thermostat handle: chromed brass
- Visible components made of solid, chromed brass, with safety stop
- Choice of temperature setting range
- Integrated check valve in the bypass and check valve and strainer cartridges for water inlets
- All functional parts can be disassembled during maintenance work without removing the valve body
- Electronic operation of the shower function via piezo switch with start/stop function, piezo switch: colour ring red, rosette chrome plated
- The water flow time of the shower function is easily adjustable.
- Interval hygiene flush to prevent stagnation

Battery: 6V Lithium waterproof encased, lifetime up to 4 years  
 Mains: Power supply over 12 V/DC power supply for surface-mounted version in installation box or for DIN top-hat rail mounting  
 Mains (CNX): Power supply over 30 V/DC power supply in the control panels 64 and 150

### Execution options:

#### Hygienic flush (mains/battery):

Hygienic flush (electronic): the hygienic flush can be carried out in electronic showers by programming via the piezo switch or the Service APP per shower.

#### Hygienic flush key switch (mains/battery):

The hygienic flush can be carried out in electronic showers by programming via the piezo switch or the Service APP per shower and can be triggered directly by actuating a key switch.

#### Thermal disinfection (mains):

The thermal disinfection in an electronic shower with an installed second bistable solenoid valve 6 V/DC DN15 can be triggered by actuating a key switch.

#### Cleaning stop (mains/battery):

The cleaning stop can be activated in electronic showers by positioning a magnet - RC Switch, on the cover respectively cover plate. Shower function via actuation of the piezo switch is interrupted for the time the magnet is positioned there.

#### Water flow time CNX:

The water flow time of the shower function can be set and disabled for electronic showers, integrated into the CNX Water Management System, through the software parameter settings per shower or shower group.

#### Hygienic flush CNX:

The hygienic flush can be set and disabled for electronic showers, integrated into the CNX Water Management System, by the software parameter settings per shower or shower group as interval or calendar function.

#### Thermal disinfection CNX:

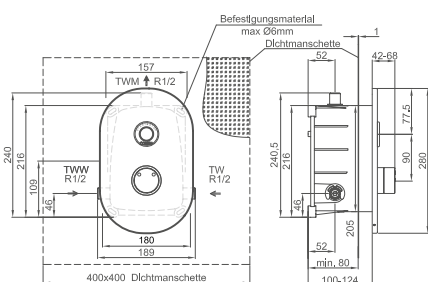
The thermal disinfection can be set as a calendar function in electronic showers, integrated into the CNX Water Management System, by the software parameter settings per shower group.

#### Cleaning stop CNX:

The operation stop (cleaning stop), interruption of the shower function, can be set in electronic showers, integrated into the CNX Water Management System, by the software parameter settings per shower or shower group as a calendar function.

#### CNX Water Management System:









Integration of the shower into the software-controlled Water Management System for the automatic depiction of hygiene, system and safety functions of electronic showers, lavatory faucets and urinal flush valves at the BUS level. Parametrisation of individual devices and device groups. Tamper-proof documentation of all operating, action and function messages.



# CONGENIAL FIT concealed shower, stainless steel, oval, thermostat, piezo switch, DN15

Showers  
electronic

<p><b>Technical data:</b></p> <p>Operating voltage (battery): 6 V/DC          Operating voltage (mains): 12 V/DC          Operating voltage (CNX): 30 V/DC          Operating pressure: 1,5-5,0 bar          Water temp. standard operation (max.): 70 °C          Water temp. thermal disinfection: Short-term for therm. disinfection 80 °C          Flow rate DN15: 0,15 l/s (flow rate regulator)          Flow rate during thermal disinfection DN15: 0,05 l/s (flow rate regulator)          Water flow time setting range: 3-180 s          Water flow time factory setting: 30 s          Hygienic flush setting range: 12, 24 or 72 h, can be deactivated via setting on piezo switch, other hygienic flush intervals can be set via Service APP          Hygienic flush factory setting: 12 h after last water flow activation, 30 s water flow time          Electronic protection type: IP68          Dimensions (WxHxD): 180x280x10 mm</p>	<p><b>Required accessories:</b></p> <p>CONR0112 raw mounting set, shower head, hand shower set, central mains power supply or CNX central operation unit, CNX Converter, BLE Converter, Key switch for hygienic flush or thermal disinfection (see chapter accessories)</p> <p><b>Optional accessories:</b></p> <p>Manual TD plug for thermal disinfection</p> <p><b>Note:</b></p> <p>For the water path CNX with thermal disinfection, the temperature sensor is already included in the scope of delivery.</p>
---	--

								
Version	Power supply	Hygienic flush	Hygienic flush key switch	Therm. disinfection (electronic)	Thermal disinfection CNX	Cleaning stop	Article number	
	6 V/DC Lithium battery waterproof encased	•					<b>CONE2117211100</b>	
		•				•	<b>CONE2117211140</b>	
	12 V/DC series wiring to connect to central mains power supply (see chapter accessories)	•					<b>CONE2117211200</b>	
		•	•				<b>CONE2117211210</b>	
		•		•				<b>CONE2117211230</b>
		•					•	<b>CONE2117211240</b>
	30 V/DC bus cabling to CNX central operating unit (see chapter accessories)	•				•	<b>CONE2117211336</b>	
		•			•	•	<b>CONE2117211360</b>	
Shower heads	See chapter shower heads	CONHEAD jet shower head GOLF					<b>CONO010000</b>	
		CONHEAD rain shower head RAIN2					<b>CONO020000</b>	
		CONHEAD rain shower head SHORTY					<b>CONO030000</b>	
		CONHEAD jet shower head VESUV					<b>CONO060000</b>	
		CONHEAD jet shower head CITY					<b>CONO050000</b>	
		CONHEAD hand shower set					<b>CONO040000</b>	

# CONGENIAL FIT concealed shower, chromed, oval, thermostat, piezo switch, DN15



## CONGENIAL FIT concealed shower, chromed, oval, thermostat, piezo switch, DN15 - final assembly kit

Final assembly kit for electronic shower, device designed as concealed shower in nominal diameter DN15. With thermostatic mixing device for connection to cold and hot water. Application in new construction building and renovation in commercial, semi-public and public sanitary facilities.

- Concealed shower final assembly kit with oval cover plate
- Concealed mounting, robust double lock, multi sealing system with drainage system for condensation
- Cover plate: stainless steel 1.4301, all visible surfaces made of chromed stainless steel
- Support frame for cover plate
- Implementing functional elements and thermostat incl. EPDM sealing rings
- Multifunction tool for maintenance work
- Adaptive multifunctional water path CONGENIAL FIT with solenoid valve 6 V/DC ROBUST, bistable
- Upgrade and retrofitting functions
- Water path: dezincification resistant forged brass, as a high-quality thermostatic mixer, thermostat handle: chromed brass
- Visible components made of solid, chromed brass, with safety stop
- Choice of temperature setting range
- Integrated check valve in the bypass and check valve and strainer cartridges for water inlets
- All functional parts can be disassembled during maintenance work without removing the valve body
- Electronic operation of the shower function via piezo switch with start/stop function, piezo switch: colour ring red, rosette chrome plated
- The water flow time of the shower function is easily adjustable.
- Interval hygiene flush to prevent stagnation

Battery: 6V Lithium waterproof encased, lifetime up to 4 years  
 Mains: Power supply over 12 V/DC power supply for surface-mounted version in installation box or for DIN top-hat rail mounting  
 Mains (CNX): Power supply over 30 V/DC power supply in the control panels 64 and 150

### Execution options:

#### Hygienic flush (mains/battery):

Hygienic flush (electronic): the hygienic flush can be carried out in electronic showers by programming via the piezo switch or the Service APP per shower.

#### Hygienic flush key switch (mains/battery):

The hygienic flush can be carried out in electronic showers by programming via the piezo switch or the Service APP per shower and can be triggered directly by actuating a key switch.

#### Thermal disinfection (mains):

The thermal disinfection in an electronic shower with an installed second bistable solenoid valve 6 V/DC DN15 can be triggered by actuating a key switch.

#### Cleaning stop (mains/battery):

The cleaning stop can be activated in electronic showers by positioning a magnet - RC Switch, on the cover respectively cover plate. Shower function via actuation of the piezo switch is interrupted for the time the magnet is positioned there.

#### Water flow time CNX:

The water flow time of the shower function can be set and disabled for electronic showers, integrated into the CNX Water Management System, through the software parameter settings per shower or shower group.

#### Hygienic flush CNX:

The hygienic flush can be set and disabled for electronic showers, integrated into the CNX Water Management System, by the software parameter settings per shower or shower group as interval or calendar function.

#### Thermal disinfection CNX:

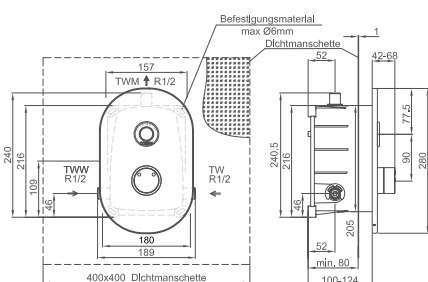
The thermal disinfection can be set as a calendar function in electronic showers, integrated into the CNX Water Management System, by the software parameter settings per shower group.

#### Cleaning stop CNX:

The operation stop (cleaning stop), interruption of the shower function, can be set in electronic showers, integrated into the CNX Water Management System, by the software parameter settings per shower or shower group as a calendar function.

#### CNX Water Management System:









Integration of the shower into the software-controlled Water Management System for the automatic depiction of hygiene, system and safety functions of electronic showers, lavatory faucets and urinal flush valves at the BUS level. Parametrisation of individual devices and device groups. Tamper-proof documentation of all operating, action and function messages.



# CONGENIAL FIT concealed shower, chromed, oval, thermostat, piezo switch, DN15

Showers  
electronic

<p><b>Technical data:</b></p> <p>Operating voltage (battery): 6 V/DC          Operating voltage (mains): 12 V/DC          Operating voltage (CNX): 30 V/DC          Operating pressure: 1,5-5,0 bar          Water temp. standard operation (max.): 70 °C          Water temp. thermal disinfection: Short-term for therm. disinfection 80 °C          Flow rate DN15: 0,15 l/s (flow rate regulator)          Flow rate during thermal disinfection DN15: 0,05 l/s (flow rate regulator)          Water flow time setting range: 3-180 s          Water flow time factory setting: 30 s          Hygienic flush setting range: 12, 24 or 72 h, can be deactivated via setting on piezo switch, other hygienic flush intervals can be set via Service APP          Hygienic flush factory setting: 12 h after last water flow activation, 30 s water flow time          Electronic protection type: IP68          Dimensions (WxHxD): 180x280x10 mm</p>	<p><b>Required accessories:</b>          CONR0112 raw mounting set, shower head, hand shower set, central mains power supply or CNX central operation unit, CNX Converter, BLE Converter, Key switch for hygienic flush or thermal disinfection (see chapter accessories)</p> <p><b>Optional accessories:</b>          Manual TD plug for thermal disinfection</p> <p><b>Note:</b>          For the water path CNX with thermal disinfection, the temperature sensor is already included in the scope of delivery.</p>
---	--

								
Version	Power supply	Hygienic flush	Hygienic flush key switch	Therm. disinfection (electronic)	Thermal disinfection CNX	Cleaning stop	Article number	
	6 V/DC Lithium battery waterproof encased	•					<b>CONE2157211100</b>	
		•				•	<b>CONE2157211140</b>	
	12 V/DC series wiring to connect to central mains power supply (see chapter accessories)	•					<b>CONE2157211200</b>	
		•	•				<b>CONE2157211210</b>	
		•		•				<b>CONE2157211230</b>
		•					•	<b>CONE2157211240</b>
	30 V/DC bus cabling to CNX central operating unit (see chapter accessories)	•				•	<b>CONE2157211336</b>	
		•			•	•	<b>CONE2157211360</b>	
Shower heads	See chapter shower heads	CONHEAD jet shower head GOLF					<b>CONO010000</b>	
		CONHEAD rain shower head RAIN2					<b>CONO020000</b>	
		CONHEAD rain shower head SHORTY					<b>CONO030000</b>	
		CONHEAD jet shower head VESUV					<b>CONO060000</b>	
		CONHEAD jet shower head CITY					<b>CONO050000</b>	
		CONHEAD hand shower set					<b>CONO040000</b>	

## CONBASE concealed shower, stainless steel, round, piezo switch, DN15



## CONBASE concealed shower, stainless steel, round, piezo switch, DN15 - final assembly kit

Final assembly kit for electronic shower, device designed as concealed shower in nominal diameter DN15. Without mixing device for connection to cold or premixed water. Application in new construction building and renovation in commercial, semi-public and public sanitary facilities.

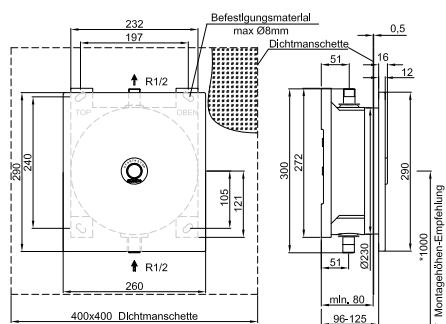
- Concealed shower final assembly kit with round cover plate
- Concealed mounting, robust quadruple lock, multi sealing system with drainage system for condensation
- Cover plate: stainless steel 1.4301, all visible surfaces made of brushed stainless steel, dimensions (ØxD): 260x12 mm
- Support frame for cover plate: ABS with EPDM lip sealing
- Multifunction tool for maintenance work
- Water path, in sliding sleeve technology, for tension-free installation of the solenoid valve 6 V/DC ROBUST, bistable, DN15
- Electronic operation of the shower function via piezo switch with start/stop function, piezo switch: colour ring red, rosette chrome plated
- The water flow time of the shower function is easily adjustable.
- Interval hygiene flush to prevent stagnation

Battery: 6V Lithium waterproof encased, lifetime up to 4 years

Mains: Power supply over 12 V/DC power supply for surface-mounted version in installation box or for DIN top-hat rail mounting

**Execution options:****Hygienic flush (mains/battery):**

Hygienic flush (electronic): the hygienic flush can be carried out in electronic showers by programming via the piezo switch or the Service APP per shower.









## CONBASE concealed shower, stainless steel, round, piezo switch, DN15

Showers  
electronic

<p><b>Technical data:</b></p> <p>Operating voltage (battery): 6 V/DC          Operating voltage (mains): 12 V/DC          Operating pressure: 1,5-5,0 bar          Water temp. standard operation (max.): 70 °C          Flow rate DN15: 0,15 l/s (flow rate regulator)          Water flow time setting range: 3-180 s          Water flow time factory setting: 30 s          Hygienic flush setting range: 12, 24 or 72 h, can be deactivated via setting on piezo switch, other hygienic flush intervals can be set via Service APP          Hygienic flush factory setting: 12 h after last water flow activation, 30 s water flow time          Electronic protection type: IP68          Dimensions (ØxD): 260x12 mm</p>	<p><b>Required accessories:</b>          CONR0111 raw mounting set          Shower head, hand shower set, central mains power supply, BLE Converter</p> <p><b>Optional accessories:</b>          CNX Converter</p>
---	--

				
Version	Power supply	Connection DN15	Hygienic flush	Article number
	6 V/DC Lithium battery waterproof encased	•	•	<b>CONE2110173100</b>
	12 V/DC series wiring to connect to central mains power supply (see chapter accessories)	•	•	<b>CONE2110173200</b>
Shower heads	See chapter shower heads	CONHEAD jet shower head GOLF		<b>CONO010000</b>
		CONHEAD rain shower head RAIN2		<b>CONO020000</b>
		CONHEAD rain shower head SHORTY		<b>CONO030000</b>
		CONHEAD jet shower head VESUV		<b>CONO060000</b>
		CONHEAD jet shower head CITY		<b>CONO050000</b>
		CONHEAD hand shower set		<b>CONO040000</b>

## CONBASE concealed shower, stainless steel, angular, piezo switch, DN15



## CONBASE concealed shower, stainless steel, round, piezo switch, DN15 - final assembly kit

Final assembly kit for electronic shower, device designed as concealed shower in nominal diameter DN15. Without mixing device for connection to cold or premixed water. Application in new construction building and renovation in commercial, semi-public and public sanitary facilities.

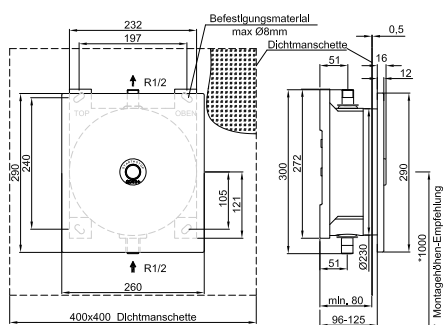
- Concealed shower final assembly kit with angular cover plate
- Concealed mounting, robust quadruple lock, multi sealing system with drainage system for condensation
- Cover plate: stainless steel 1.4301, all visible surfaces made of brushed stainless steel, dimensions (ØxD): 260x12 mm
- Support frame for cover plate: ABS with EPDM lip sealing
- Multifunction tool for maintenance work
- Water path, in sliding sleeve technology, for tension-free installation of the solenoid valve 6 V/DC ROBUST, bistable, DN15
- Electronic operation of the shower function via piezo switch with start/stop function, piezo switch: colour ring red, rosette chrome plated
- The water flow time of the shower function is easily adjustable.
- Interval hygiene flush to prevent stagnation

Battery: 6V Lithium waterproof encased, lifetime up to 4 years





Mains: Power supply over 12 V/DC power supply for surface-mounted version in installation box or for DIN top-hat rail mounting

**Execution options:****Hygienic flush (mains/battery):**

Hygienic flush (electronic): the hygienic flush can be carried out in electronic showers by programming via the piezo switch or the Service APP per shower.



## CONBASE concealed shower, stainless steel, angular, piezo switch, DN15

<p><b>Technical data:</b></p> <p>Operating voltage (battery): 6 V/DC          Operating voltage (mains): 12 V/DC          Operating pressure: 1,5-5,0 bar          Water temp. standard operation (max.): 70 °C          Flow rate DN15: 0,15 l/s (flow rate regulator)          Water flow time setting range: 3-180 s          Water flow time factory setting: 30 s          Hygienic flush setting range: 12, 24 or 72 h, can be deactivated via setting on piezo switch, other hygienic flush intervals can be set via Service APP          Hygienic flush factory setting: 12 h after last water flow activation, 30 s water flow time          Electronic protection type: IP68          Dimensions (WxHxD): 260x290x12 mm</p>		<p><b>Required accessories:</b>          CONR0111 raw mounting set          Shower head, hand shower set, central mains power supply, BLE Converter</p> <p><b>Optional accessories:</b>          CNX Converter</p>		
				
Version	Power supply	Connection DN15	Hygienic flush	Article number
	6 V/DC Lithium battery waterproof encased	•	•	<b>CONE2115133100</b>
	12 V/DC series wiring to connect to central mains power supply (see chapter accessories)	•	•	<b>CONE2115133200</b>
Shower heads	See chapter shower heads	CONHEAD jet shower head GOLF		<b>CONO010000</b>
CONHEAD rain shower head RAIN2		<b>CONO020000</b>		
CONHEAD rain shower head SHORTY		<b>CONO030000</b>		
CONHEAD jet shower head VESUV		<b>CONO060000</b>		
CONHEAD jet shower head CITY		<b>CONO050000</b>		
CONHEAD hand shower set		<b>CONO040000</b>		

## CONBASE SLIM concealed shower/ceiling shower, round, piezo switch, DN15



## CONBASE SLIM concealed shower, chromed, round, piezo switch, DN15 - final assembly kit

Final assembly kit for electronic shower, device designed as concealed shower in nominal diameter DN15. Without mixing device for connection to cold or premixed water. Application in new construction building and renovation in commercial, semi-public and public sanitary facilities.

- Concealed shower final assembly kit with round cover plate
- Cover plate: chromed, dimensions (ØxD): 95x5 mm, two countersunk screws for fixing
- All functional parts can be disassembled without dismantling the valve body during maintenance work
- Electronic operation of the shower function via piezo switch with start/stop function, piezo switch: colour ring red and blue
- The water flow time of the shower function is easily adjustable.
- Interval hygiene flush to prevent stagnation

Battery: 6V Lithium waterproof encased, lifetime up to 4 years

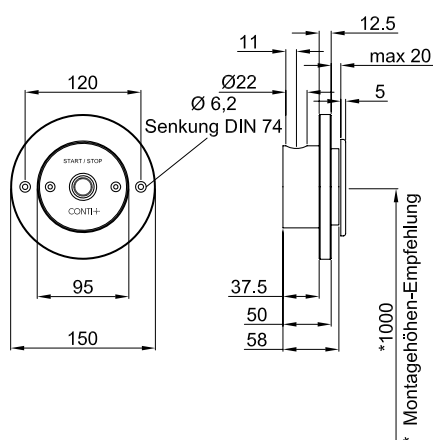
Mains: Power supply over 12 V/DC power supply for surface-mounted version in installation box or for DIN top-hat rail mounting

**Execution options:****Water path in DN15:**

Solenoid valve 6 V/DC ROBUST, bistable, for mounting in the water path, connection distributor






**Hygienic flush (mains/battery):**

Hygienic flush (electronic): the hygienic flush can be carried out in electronic showers by programming via the piezo switch or the Service APP per shower.



## CONBASE SLIM concealed shower/ceiling shower, round, piezo switch, DN15

<p><b>Technical data:</b></p> <p>Operating voltage (battery): 6 V/DC          Operating voltage (mains): 12 V/DC          Operating pressure: 1,5-5,0 bar          Water temp. standard operation (max.): 70 °C          Flow rate DN15: 0,15 l/s (flow rate regulator)          Flow rate DN20: 0,63 l/s          Water flow time setting range: 3-180 s          Water flow time factory setting: 30 s          Hygienic flush setting range: 12, 24 or 72 h, can be deactivated via setting on piezo switch, other hygienic flush intervals can be set via Service APP          Hygienic flush factory setting: 12 h after last water flow activation, 30 s water flow time          Electronic protection type: IP68          Dimensions (ØxD): 95x5 mm</p>	<p><b>Required accessories:</b></p> <p>CONR3111 raw mounting set (DN15)          CONR3121 raw mounting set (DN20)          Shower head, hand shower set, central mains power supply, BLE Converter</p> <p><b>Optional accessories:</b></p> <p>CNX Converter</p>
---	---

					
Version	Power supply	Connection DN15	Connection DN20	Hygienic flush	Article number
	6 V/DC Lithium battery waterproof encased		•	•	<b>CONE2150181100</b>
		•		•	<b>CONE2150171100</b>
	12 V/DC series wiring to connect to central mains power supply (see chapter accessories)	•		•	<b>CONE2150171200</b>
Shower heads	See chapter shower heads	CONHEAD jet shower head GOLF			<b>CONO010000</b>
		CONHEAD rain shower head RAIN2			<b>CONO020000</b>
		CONHEAD rain shower head SHORTY			<b>CONO030000</b>
		CONHEAD jet shower head VESUV			<b>CONO060000</b>
		CONHEAD jet shower head CITY			<b>CONO050000</b>
		CONHEAD hand shower set			<b>CONO040000</b>

## CONCASH 2.0 concealed shower, stainless steel, round, thermostat, piezo switch, DN15



### CONCASH 2.0 concealed shower, stainless steel, round, thermostat, piezo switch, DN15, paid water release, mains - final assembly kit

Final assembly kit for electronic shower, device designed as concealed shower in nominal diameter DN15. With thermostatic mixing device for connection to cold and hot water. Application in new construction building and renovation in commercial, semi-public and public sanitary facilities.

- Concealed shower final assembly kit with round cover plate
- Concealed mounting, robust double lock, multi sealing system with drainage system for condensation
- Cover plate: stainless steel 1.4301, all visible surfaces made of brushed stainless steel, dimensions (ØxD): 260x12 mm
- Support frame for cover plate: implementing functional elements and thermostat incl. EPDM sealing rings
- Multifunction tool for maintenance work
- Adaptive multifunctional water path CONGENIAL with solenoid valve 6 V/DC ROBUST, bistable
- Upgrade and retrofitting functions
- Water path: dezincification resistant forged brass, as a high-quality thermostatic mixer, thermostat handle: chromed brass
- Visible components made of solid, chromed brass, with safety stop
- Choice of temperature setting range
- Integrated check valve in the bypass and check valve and strainer cartridges for water inlets
- All functional parts can be disassembled during maintenance work without removing the valve body
- Electronic operation of the shower function via piezo switch after release by coin validator, piezo switch: colour ring red, rosette chrome plated

Mains: Power supply over 24 V/DC power supply for surface-mounted version in installation box or for DIN top-hat rail mounting

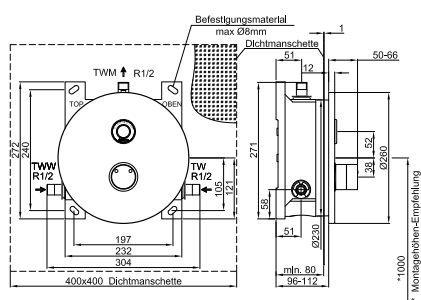
#### Execution options:

#### Hygienic flush (mains):

Hygienic flush (electronic): the hygienic flush is carried out in CONCASH showers by programming via the coin validator.

#### Paid water release:


The water flow time and payment parameters can be accessed via the coin validator.



## CONCASH 2.0 concealed shower, stainless steel, round, thermostat, piezo switch, DN15

Showers  
electronic

<p><b>Technical data:</b></p> <p>Operating voltage (mains): 24 V/DC          Operating pressure: 1,5-5,0 bar          Water temp. standard operation (max.): 70 °C          Flow rate DN15: 0,15 l/s (flow rate regulator)          Water flow time setting range (max.): 1000 min          Hygienic flush setting range: 0-240 s          via the coin validator          Electronic protection type: IP68</p>	<p><b>Required accessories:</b></p> <p>CONR0112 raw mounting set          CONCASH Coin validator          Shower head, hand shower set,          central mains power supply</p> <p><b>Optional accessories:</b></p> <p>Tokens</p>
---	---

Version	Power supply	Hygienic flush	Paid water release	Article number
	24 V/DC power supply (see chapter accessories)	•	•	<b>CONE241321270</b>
Shower heads	See chapter shower heads	CONHEAD jet shower head GOLF	<b>CONO010000</b>	
		CONHEAD rain shower head RAIN2	<b>CONO020000</b>	
		CONHEAD rain shower head SHORTY	<b>CONO030000</b>	
		CONHEAD jet shower head VESUV	<b>CONO060000</b>	
		CONHEAD jet shower head CITY	<b>CONO050000</b>	
		CONHEAD hand shower set	<b>CONO040000</b>	

## CONCASH 2.0 concealed shower, stainless steel, angular, thermostat, piezo switch, DN15



### CONCASH 2.0 concealed shower, stainless steel, angular, thermostat, piezo switch, DN15, paid water release, mains - final assembly kit

Final assembly kit for electronic shower, device designed as concealed shower in nominal diameter DN15. With thermostatic mixing device for connection to cold and hot water. Application in new construction building and renovation in commercial, semi-public and public sanitary facilities.

- Concealed shower final assembly kit with angular cover plate
- Concealed mounting, robust double lock, multi sealing system with drainage system for condensation
- Cover plate: stainless steel 1.4301, all visible surfaces made of brushed stainless steel, dimensions (HxVxD): 290x260x12 mm
- Support frame for cover plate: implementing functional elements and thermostat incl. EPDM sealing rings
- Multifunction tool for maintenance work
- Adaptive multifunctional water path CONGENIAL with solenoid valve 6 V/DC ROBUST, bistable
- Upgrade and retrofitting functions
- Water path: dezincification resistant forged brass, as a high-quality thermostatic mixer, thermostat handle: chromed brass
- Visible components made of solid, chromed brass, with safety stop
- Choice of temperature setting range
- Integrated check valve in the bypass and check valve and strainer cartridges for water inlets
- All functional parts can be disassembled from the front during maintenance work without removing the valve body
- Electronic operation of the shower function via piezo switch after release by coin validator, piezo switch: colour ring red, rosette chrome plated

Mains: Power supply over 24 V/DC power supply for surface-mounted version in installation box or for DIN top-hat rail mounting

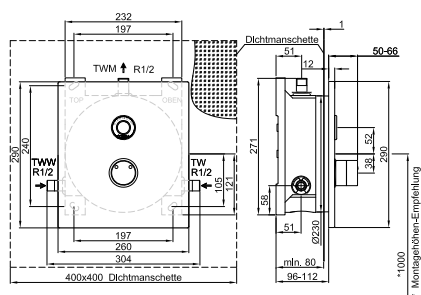
#### Execution options:

##### Hygienic flush (mains):

Hygienic flush (electronic): the hygienic flush is carried out in CONCASH showers by programming via the coin validator.

##### Paid water release:

The water flow time and payment parameters can be accessed via the coin validator.





## CONCASH 2.0 concealed shower, stainless steel, angular, thermostat, piezo switch, DN15

Showers  
electronic

<p><b>Technical data:</b></p> <p>Operating voltage (mains): 24 V/DC          Operating pressure: 1,5-5,0 bar          Water temp. standard operation (max.): 70 °C          Flow rate DN15: 0,15 l/s (flow rate regulator)          Water flow time setting range (max.): 1000 min          Hygienic flush setting range: 0-240 s          via the coin validator          Electronic protection type: IP68</p>	<p><b>Required accessories:</b></p> <p>CONR0112 Raw mounting set          CONCASH Coin validator          shower head, hand shower set,          central mains power supply</p> <p><b>Optional accessories:</b></p> <p>Tokens</p>
---	---

Version	Power supply	Hygienic flush	Paid water release	Article number
	24 V/DC power supply (see chapter accessories)	•	•	<b>CONE241521270</b>
Shower heads	See chapter shower heads			
		CONHEAD jet shower head GOLF		<b>CONO010000</b>
		CONHEAD rain shower head RAIN2		<b>CONO020000</b>
		CONHEAD rain shower head SHORTY		<b>CONO030000</b>
		CONHEAD jet shower head VESUV		<b>CONO060000</b>
		CONHEAD jet shower head CITY		<b>CONO050000</b>
CONHEAD hand shower set		<b>CONO040000</b>		

## CONCASH FIT 2.0 concealed shower, stainless steel, angular, thermostat, piezo switch, DN15



## CONCASH FIT 2.0 concealed shower, stainless steel, angular, thermostat, piezo switch, DN15, paid water release, mains - final assembly kit

Final assembly kit for electronic shower, device designed as concealed shower in nominal diameter DN15. With thermostatic mixing device for connection to cold and hot water. Application in new construction building and renovation in commercial, semi-public and public sanitary facilities.

- Concealed shower final assembly kit with angular cover plate
- Concealed mounting, robust double lock, multi sealing system with drainage system for condensation
- Cover plate: stainless steel 1.4301, all visible surfaces made of brushed stainless steel, dimensions (HxVxD): 225x170x10 mm
- Support frame for cover plate: implementing functional elements and thermostat incl. EPDM sealing rings
- Multifunction tool for maintenance work
- Adaptive multifunctional water path CONGENIAL with solenoid valve 6 V/DC ROBUST, bistable
- Upgrade and retrofitting functions
- Water path: dezincification resistant forged brass, as a high-quality thermostatic mixer, thermostat handle: chromed brass
- Visible components made of solid, chromed brass, with safety stop
- Choice of temperature setting range
- Integrated check valve in the bypass and check valve and strainer cartridges for water inlets
- All functional parts can be disassembled from the front during maintenance work without removing the valve body
- Electronic operation of the shower function via piezo switch after release by coin validator, piezo switch: colour ring red, rosette chrome plated

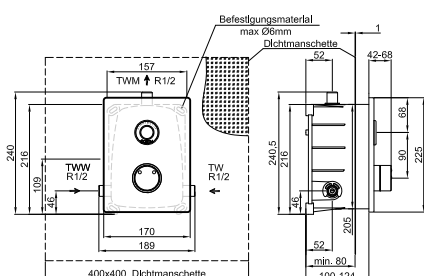
Mains: Power supply over 24 V/DC power supply for surface-mounted version in installation box or for DIN top-hat rail mounting

**Execution options:****Hygienic flush (mains):**

Hygienic flush (electronic): the hygienic flush is carried out in CONCASH showers by programming via the coin validator.




**Paid water release:**

The water flow time and payment parameters can be accessed via the coin validator.



## CONCASH FIT 2.0 concealed shower, stainless steel, angular, thermostat, piezo switch, DN15

Showers  
electronic

<p><b>Technical data:</b></p> <p>Operating voltage (mains): 24 V/DC          Operating pressure: 1,5-5,0 bar          Water temp. standard operation (max.): 70 °C          Flow rate DN15: 0,15 l/s (flow rate regulator)          Water flow time setting range (max.): 1000 min          Hygienic flush setting range: 0-240 s          via the coin validator          Electronic protection type: IP68</p>		<p><b>Required accessories:</b>          CONR2112 Raw mounting set          CONCASH Coin validator          shower head, hand shower set,          central mains power supply</p> <p><b>Optional accessories:</b>          Tokens</p>		
				
Version	Power supply	Hygienic flush	Paid water release	Article number
	24 V/DC power supply (see chapter accessories)	•	•	<b>CONE241621270</b>
Shower heads	See chapter shower heads	CONHEAD jet shower head GOLF	<b>CONO010000</b>	
		CONHEAD rain shower head RAIN2	<b>CONO020000</b>	
		CONHEAD rain shower head SHORTY	<b>CONO030000</b>	
		CONHEAD jet shower head VESUV	<b>CONO060000</b>	
		CONHEAD jet shower head CITY	<b>CONO050000</b>	
		CONHEAD hand shower set	<b>CONO040000</b>	

## CONCASH FIT 2.0 concealed shower, stainless steel, oval, thermostat, piezo switch, DN15



### CONCASH FIT 2.0 concealed shower, stainless steel, oval, thermostat, piezo switch, DN15, paid water release, mains - final assembly kit

Final assembly kit for electronic shower, device designed as concealed shower in nominal diameter DN15. With thermostatic mixing device for connection to cold and hot water. Application in new construction building and renovation in commercial, semi-public and public sanitary facilities.

- Concealed shower final assembly kit with oval cover plate
- Concealed mounting, robust double lock, multi sealing system with drainage system for condensation
- Cover plate: stainless steel 1.4301, all visible surfaces made of brushed stainless steel, dimensions (HxVxD): 280x180x10 mm
- Support frame for cover plate: implementing functional elements and thermostat incl. EPDM sealing rings
- Multifunction tool for maintenance work
- Adaptive multifunctional water path CONGENIAL with solenoid valve 6 V/DC ROBUST, bistable
- Upgrade and retrofitting functions
- Water path: dezincification resistant forged brass, as a high-quality thermostatic mixer, thermostat handle: chromed brass
- Visible components made of solid, chromed brass, with safety stop
- Choice of temperature setting range
- Integrated check valve in the bypass and check valve and strainer cartridges for water inlets
- All functional parts can be disassembled from the front during maintenance work without removing the valve body
- Electronic operation of the shower function via piezo switch after release by coin validator, piezo switch: colour ring red, rosette chrome plated

Mains: Power supply over 24 V/DC power supply for surface-mounted version in installation box or for DIN top-hat rail mounting

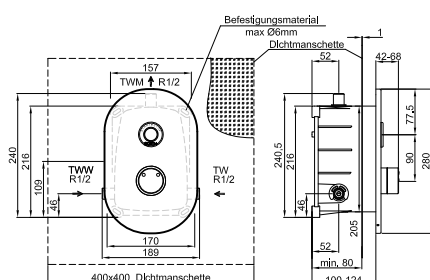
#### Execution options:

#### Hygienic flush (mains):




Hygienic flush (electronic): the hygienic flush is carried out in CONCASH showers by programming via the coin validator.

#### Paid water release:

The water flow time and payment parameters can be accessed via the coin validator.



## CONCASH FIT 2.0 concealed shower, stainless steel, oval, thermostat, piezo switch, DN15

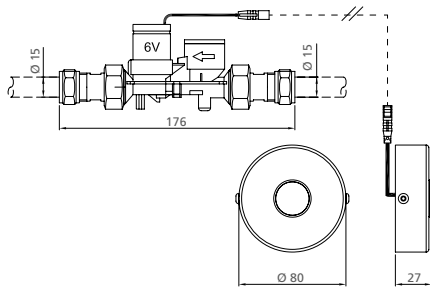
<p><b>Technical data:</b></p> <p>Operating voltage (mains): 24 V/DC          Operating pressure: 1,5-5,0 bar          Water temp. standard operation (max.): 70 °C          Flow rate DN15: 0,15 l/s (flow rate regulator)          Water flow time setting range (max.): 1000 min          Hygienic flush setting range: 0-240 s          via the coin validator          Electronic protection type: IP68</p>		<p><b>Required accessories:</b></p> <p>CONR2112 Raw mounting set          CONCASH Coin validator          shower head, hand shower set,          central mains power supply</p> <p><b>Optional accessories:</b></p> <p>Tokens</p>		
				
Version	Power supply	Hygienic flush	Paid water release	Article number
	24 V/DC power supply (see chapter accessories)	•	•	<b>CONE241721270</b>
Shower heads	See chapter shower heads	CONHEAD jet shower head GOLF	<b>CONO010000</b>	
		CONHEAD rain shower head RAIN2	<b>CONO020000</b>	
		CONHEAD rain shower head SHORTY	<b>CONO030000</b>	
		CONHEAD jet shower head VESUV	<b>CONO060000</b>	
		CONHEAD jet shower head CITY	<b>CONO050000</b>	
		CONHEAD hand shower set	<b>CONO040000</b>	

CONTI 



# CONBASE exposed shower, stainless steel, piezo switch, DN15

**NEW**



## CONBASE exposed shower, stainless steel, piezo switch, DN15

Electronic shower, device designed as concealed shower in nominal diameter DN15. Without mixing device for connection to cold or premixed water. Application in new construction building and renovation in commercial, semi-public and public sanitary facilities.

- Water path for exposed mounting
- Cover made from stainless steel 1.4301
- All visible surfaces brushed stainless steel
- Water path with solenoid valve 6 V/DC ROBUST, bistable, DN15
- Electronic operation of the shower function via piezo switch with start/stop function, piezo switch: colour ring red
- The water flow time of the shower function is easily adjustable.
- Interval hygiene flush to prevent stagnation

Battery: 6V Lithium waterproof encased, lifetime up to 4 years  
 Mains: Power supply over 12 V/DC power supply for surface-mounted version in installation box or for DIN top-hat rail mounting

### Technical data:

Operating voltage (battery): 6 V/DC  
 Operating voltage (mains): 12 V/DC  
 Operating pressure: 1,5-5,0 bar  
 Water temp. standard operation (max.): 70 °C  
 Flow rate DN15: 0,15 l/s  
 Water flow time setting range: 3 -180 s  
 Water flow time factory setting: 30 s  
 Hygienic flush setting range: 12, 24 or 72 h, can be deactivated via setting on piezo switch, other hygienic flush intervals can be set via Service APP  
 Hygienic flush factory setting: 12 h after last water flow activation, 30 s water flow time  
 Connection: IG 3/8  
 Electronic protection type: IP68  
 Dimensions (ØxD): 80x27 mm

### Required accessories:

Shower head

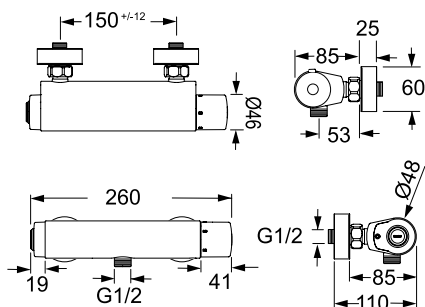


Version	Power supply	Hygienic flush	Article number
	6 V/DC Lithium battery waterproof encased	•	<b>CONE3110173100</b>
	12 V/DC power supply (see chapter accessories)	•	<b>CONE3110173200</b>
Shower heads	See chapter shower heads	CONHEAD jet shower head GOLF	<b>CONO010000</b>
		CONHEAD rain shower head RAIN2	<b>CONO020000</b>
		CONHEAD rain shower head SHORTY	<b>CONO030000</b>
		CONHEAD jet shower head VESUV	<b>CONO060000</b>
		CONHEAD jet shower head CITY	<b>CONO050000</b>
		CONHEAD hand shower set	<b>CONO040000</b>

Showers electronic

# tipolino exposed shower faucet D35, chromed, thermostat, piezo switch, battery

Showers  
electronic



tipolino exposed shower faucet D35, chromed, thermostat, piezo switch, battery, outlet downwards

Electronically controlled shower faucet for exposed installation with piezo switch:

- Sturdy version; faucet body made of drawn brass, chromed
- Microprocessor; reliable solenoid valve 6V/DC ROBUST, bistable (minimal level of water pressure surge)
- Start/stop button (piezo switch)
- Temperature adjustable with reliable thermostat cartridge with anti scald and auto-thermic protection
- 24, 48 or 72 hour hygienic flush activatable with start/stop button
- Including s-connectors 3/4" and rosettes (lockable s-connector optional)
- Service APP compatible: readout of the stored operating data and function settings in each case when connected to BLE Convertre

Battery: 6 V Lithium 2CR5 (standard: life time up to 4 years)

**Hygienic flush (battery):**

Hygiene flush can be carried out in electronic showers by programming via the piezo push-button per shower. 12, 24 or 72 h, deactivatable; factory setting: hygienic flush deactivated, interval and water flow time adjustable after activation.

**Technical data:**

Operating pressure: 0,3-10,0 bar  
 Flow rate: ca. 12 l/m  
 Water temperature (max.): 80 °C  
 Filter: 0,3 mm mesh size  
 Follow-up time: 45 s pre-set (adjustable with function key 2s-2 min)  
 Hygienic flush time: According to water flow time  
 Engineering standards: DIN EN 200; CE

**Optional accessories:**

550.070.11 Temperature handle 38 °C with override button  
 CONO100405 Hygiene flush pipe

**Note:**

Service APP only available in conjunction with BLE Converter - no permanent evaluation option.

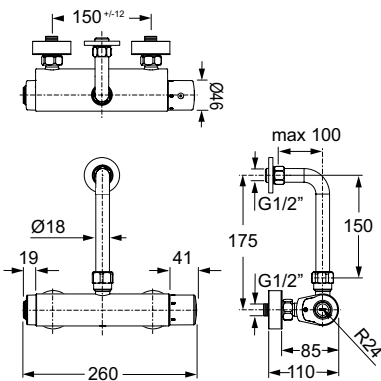
For connection via Service APP, the BLE Converter must be ordered separately.

Version	Power supply	Hygienic flush	Article number
	6 V/DC Lithium battery waterproof encased	•	<b>110.405.11</b>
Shower heads	See chapter shower heads	CONHEAD hand shower set	<b>CONO040000</b>



# tipolino shower faucet D35, chromed, thermostat, piezo switch, battery

Showers electronic



tipolino exposed shower faucet D35, chromed, thermostat, piezo switch, battery, outlet bend upwards

Electronically controlled shower faucet for exposed installation with piezo switch:

- Sturdy version; faucet body made of brass, chromed
- Microprocessor; reliable solenoid valve 6 V/DC ROBUST, bistable (minimal level of water pressure surge)
- Start/stop button (piezo switch)
- Temperature adjustable with reliable thermostat cartridge with anti scald and auto-thermic protection
- 24, 48 or 72 hour hygienic flush activatable with start/stop button
- Including s-connectors 3/4" and rosettes (lockable s-connector optional)
- Incl. outlet bend for trimming to size and fittings
- Service APP compatible: readout of the stored operating data and function settings in each case when connected to BLE Converter

Battery: 6 V Lithium 2CR5 (standard: life time up to 4 years)

**Hygienic flush (battery):**

Hygiene flush can be carried out in electronic showers by programming via the piezo push-button per shower. 12, 24 or 72 h, deactivatable; factory setting: hygienic flush deactivated, interval and water flow time adjustable after activation.

**Technical data:**

Operating pressure: 0,3-10,0 bar  
 Flow rate: ca. 12 l/m  
 Water temperature (max.): 80 °C  
 Filter: 0,3 mm mesh size  
 Follow-up time: 45 s pre-set (adjustable with function key 2 s-2 min)  
 Hygienic flush time: According to water flow time  
 Engineering standards: DIN EN 200; CE

**Optional accessories:**

550.070.11 Temperature handle 38° with override button

**Note:**

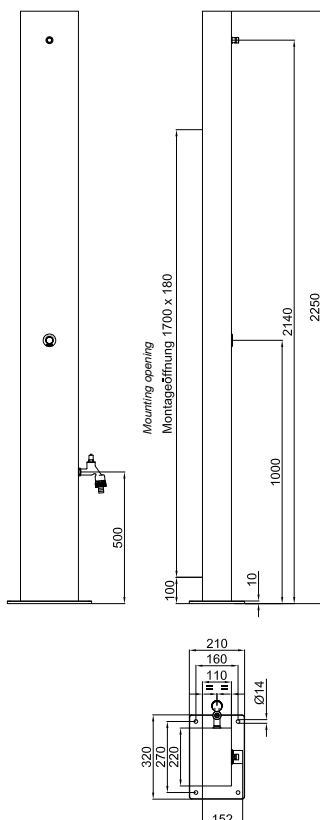
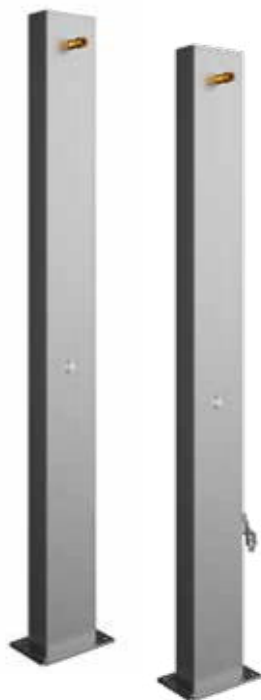
Service APP only available in conjunction with BLE Converter - no permanent evaluation option.

For connection via Service APP, the BLE Converter must be ordered separately.



Version		Power supply	Hygienic flush	Article number
		6 V/DC Lithium battery waterproof encased	•	<b>110.406.11</b>
Shower heads	See chapter shower heads	CONHEAD jet shower head GOLF		<b>CONO010000</b>
		CONHEAD rain shower head RAIN2		<b>CONO020000</b>
		CONHEAD rain shower head SHORTY		<b>CONO030000</b>
		CONHEAD jet shower head VESUV		<b>CONO060000</b>
		CONHEAD jet shower head CITY		<b>CONO050000</b>
		CONHEAD hand shower set		<b>CONO040000</b>

## CONFREE freestanding shower, stainless steel, piezo switch, DN15



## CONFREE freestanding shower, stainless steel, piezo switch, DN15, straight design

Electronic shower unit, freestanding casing made of stainless steel, activation by easy to use piezo switch, demand-dependent and adjustable hygienic flush, for connection to cold or premixed water, freestanding installation.

## Consisting of:

- Piezo switch, blue coloured ring, rosette high-gloss chromed
- Battery, lithium 6 V, waterproof sealed with connection cable and connector plug
- Solenoid valve 6 V/DC ROBUST, bistable, in cartridge design, with connecting cable and connector plug
- Plug-in connection for shower head with integrated flow rate regulator 0.15 l/s, chromed
- Freestanding casing: made of stainless steel, V4A, 1.4404, brushed finish, with a large, waterproof inspection cover for easy installation and maintenance, with a stable base flange with 4 mounting holes
- Connection: fitting (clamp connector) for PE pipe  $\varnothing$  25 mm



## Execution options:

## Base functions:

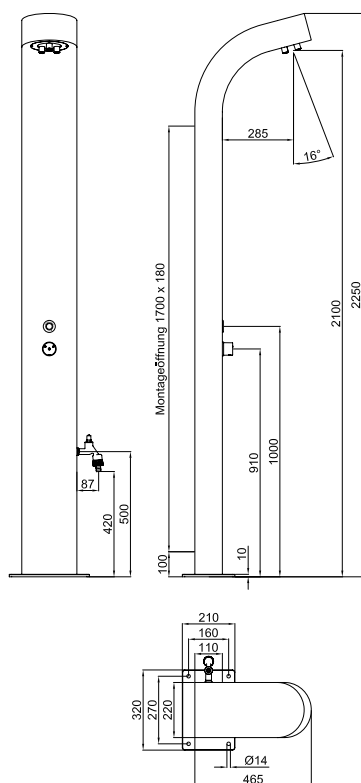
- Water flow time: 30 s factory setting (3-180 s) with start/stop function
- Hygienic flush factory setting: 30 s water flush after 12 h of last water flow activation (12, 24, 72 h adjustable or may be disabled)

## CONFREE freestanding shower, stainless steel, piezo switch, DN15

Showers  
electronic

<p><b>Technical data:</b></p> <p>Connection: Threaded fitting (clamp connector) for PE-pipe Ø25 mm</p> <p>Operating voltage: 6 V/DC</p> <p>Operating pressure: 1,0-5,0 bar</p> <p>Flow rate: 0,15 l/s (flow rate limiter)</p> <p>Electronic protection type: IP68 (electronic components)</p> <p>Dimensions (WxHxD): 220x2250x110 mm</p> <p>Base flange (WxHxD): 210x320x10 mm</p>				<p><b>Required accessories:</b></p> <p>CONO580000 Power supply unit CONFREE (for version with frost protection circuit)</p> <p><b>Optional accessories:</b></p> <p>CONO650000 Base plate CONFREE</p> <p>CONO651000 Protective cover CONFREE</p>	
					
Version	Description	With faucet	With frost protection circuit	Article number	
	CONFREE freestanding shower, stainless steel, with thermostat, battery, DN15			<b>CONE5418123100</b>	
		•		<b>CONE5518123100</b>	
			•	<b>CONE5618123100</b>	
Shower heads	See chapter shower heads	CONHEAD jet shower head GOLF		<b>CONO010010</b>	
		CONHEAD rain shower head RAIN2		<b>CONO020010</b>	
		CONHEAD rain shower head SHORTY		<b>CONO030010</b>	
		CONHEAD jet shower head VESUV		<b>CONO060010</b>	
		CONHEAD jet shower head CITY		<b>CONO050010</b>	

## CONFREE freestanding shower, stainless steel, thermostat, piezo switch, DN15



## CONFREE freestanding shower, stainless steel, thermostat, piezo switch, DN15, curved design

Electronic shower unit, mains power-independent, with self-closing function and thermostatic mixer with anti-scald protection, jet shower head CONHEAD-MAXI, freestanding casing made of stainless steel, activation by easy to use piezo switch, demand-dependent and adjustable hygienic flush, for connection to cold and hot water, freestanding installation.

Consisting of:

- Piezo switch, blue coloured ring, rosette high-gloss chromed
- Battery, lithium 6 V, waterproof sealed with connection cable and connector plug
- Solenoid valve 6 V/DC ROBUST, bistable, in cartridge design, with connecting cable and connector plug
- Thermostat battery, solid version, casing and actuating element made of brass, with safety lock with fixed stop, with integrated check valve (DVGW certified) and stainless steel sieves, temperature setting range 10-50 °C, with the option of manual thermal disinfection, chrome plated
- CONHEAD-MAXI jet shower head: fixed, heavy solid brass version, with three single jet nozzles, low maintenance, low aerosol, chrome plated
- Freestanding casing: made of stainless steel, V4A, 1.4404, with a large, waterproof inspection cover for easy installation and maintenance, with a stable base flange, with 4 mounting holes
- Connection: fitting (clamp connector) for PE pipe Ø 25 mm

**Execution options:****Base functions:**

- Water flow time: 30 s factory setting (3-180 s) with start/stop function
- Hygienic flush factory setting: 30 s water flush after 12 h of last water flow activation (12, 24, 72 h adjustable or may be disabled)

## CONFREE freestanding shower, stainless steel, thermostat, piezo switch, DN15

Showers  
electronic

**Technical data:**

Connection: Threaded fitting (clamp connector)  
for PE-pipe Ø25 mm

Operating voltage: 6 V/DC

Operating pressure: 1,0-5,0 bar

Flow rate: 0,15 l/s (flow rate limiter)

Projection: 120/2100 mm

Flow angle: 16°

Electronic protection type: IP68 (electronic components)

Dimensions (WxHxD): 220x2250x465 mm

Base flange (WxHxD): 210x320x10 mm

**Required accessories:**

CONO580000 Power supply unit CONFREE  
(for version with frost protection circuit)


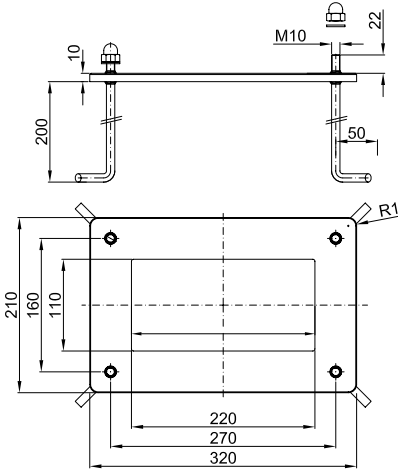
**Optional accessories:**

CONO650000 Base plate CONFREE  
CONO651000 Protective cover CONFREE


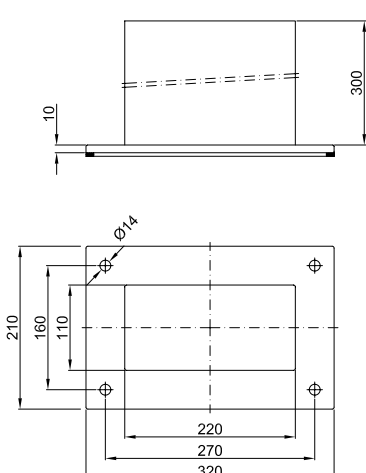


Version	Description	With faucet	With frost protection circuit	Article number
	CONFREE freestanding shower, stainless steel brushed, with thermostat, battery, DN15			<b>CONE5118221100</b>
		•		<b>CONE5218221100</b>
			•	<b>CONE5318221100</b>
	CONFREE freestanding shower, stainless steel polished, with thermostat, battery, DN15			<b>on request</b>


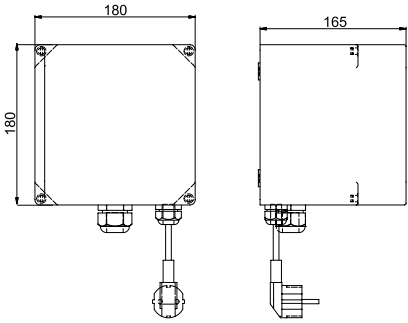
## Base plate CONFREE, straight and curved version

		<p>Base plate CONFREE, 320x210x10 mm, mounting base for freestanding showers</p> <p>Consisting of:</p> <ul style="list-style-type: none"> <li>• Base plate, with 4 concrete anchor bolts M10, cap nuts and washers made of stainless steel, 1.4571</li> </ul> <p>Dimensions (WxHxD): 320x10x210 mm</p>
Description	Dimensions	Article number
Base plate CONFREE	320x210x210 mm	<b>CONO650000</b>

## Protective cover CONFREE, straight and curved version

		<p>Protective cover CONFREE, 320x210x300 mm</p> <p>Winter weather protective cover for dismantled freestanding showers CONFREE, stainless steel, 1.4301</p> <p>Dimensions (WxHxD): 320x310x210 mm</p>
Description	Dimensions	Article number
Protective cover CONFREE	320x210x300 mm	<b>CONO651000</b>

## Power supply unit CONFREE 24 V/DC / 10A

		<p>Power supply unit CONFREE 24 V/DC / 10 A, with protection circuit 24 V/DC</p> <p>Consisting of:</p> <ul style="list-style-type: none"> <li>Power supply unit 24 V/DC, 10 A, in protective housing IP66, including plug for connection to 230 V / 50 Hz, power socket and 2 m power cord for standard socket, to be installed on site</li> </ul> <p><b>Technical data:</b>          Line voltage: 230 V / 50 Hz          Operating voltage: 24 V/DC          Dimensions (WxHxD): 180x180x165 mm</p>
Description	Version	Article number
Power supply unit CONFREE	24 V/DC / 10 A	<b>CONO580000</b>







## Mechanical showers

### Shower panels

CONGENIAL..... 124

### Concealed showers - final assembly kits

CONGENIAL..... 132

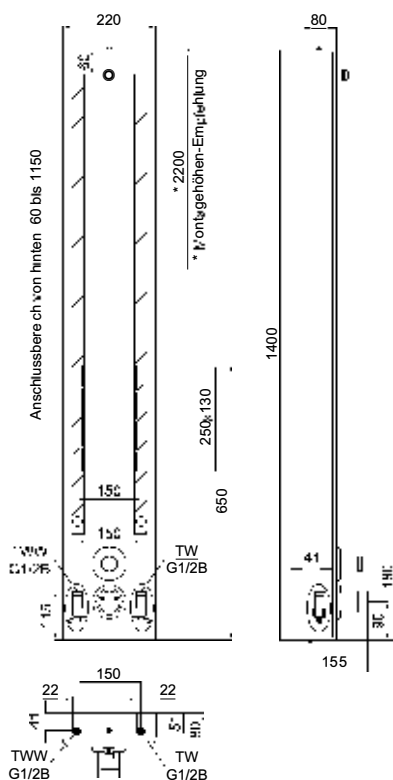
CONGENIAL FIT ..... 138

CONBASE MINI..... 150

### Exposed showers

CONPRO..... 152

## CONGENIAL shower panel, stainless steel, thermostat, water hydraulics, DN15



### CONGENIAL shower panel, stainless steel, thermostat, water hydraulics, DN15

Mechanical shower faucet designed as shower panel in nominal diameter DN15. With thermostatic mixing device for connection to cold and hot water. Application in new construction building and renovation in commercial, semi-public and public sanitary facilities.

- Stainless steel shower panel. Model with mounting frame for fixing the water path, including mounting material
- Cover and mounting frame made of stainless steel 1.4301
- All visible surfaces made of brushed stainless steel.
- Multifunction tool for maintenance work
- Adaptive multifunctional water path CONGENIAL with manual TD plug installed for thermal disinfection
- Upgrade and retrofitting functions
- Water path: dezincification resistant forged brass, as a high-quality thermostatic mixer, thermostat handle: chromed brass
- Visible components made of solid, chromed brass, with safety stop
- Choice of temperature setting range
- Integrated check valve in the bypass and check valve and strainer cartridges for water inlets
- All functional parts can be disassembled from the front during maintenance work without removing the valve body
- Mechanic operation of the shower function via water-hydraulic self-closing button
- The water flow time of the shower function can be adjusted in mechanical hydraulic showers by means of an adjustment screw in the hydraulics of each shower

#### Execution options:

#### Cover versions:

With or without seamlessly integrated soap dish




#### Thermal disinfection (manual):

The thermal disinfection of a shower based on the adaptive multifunctional water path CONGENIAL with bypass solenoid valve can be executed with a manual TD plug installed in the bypass directly per shower.

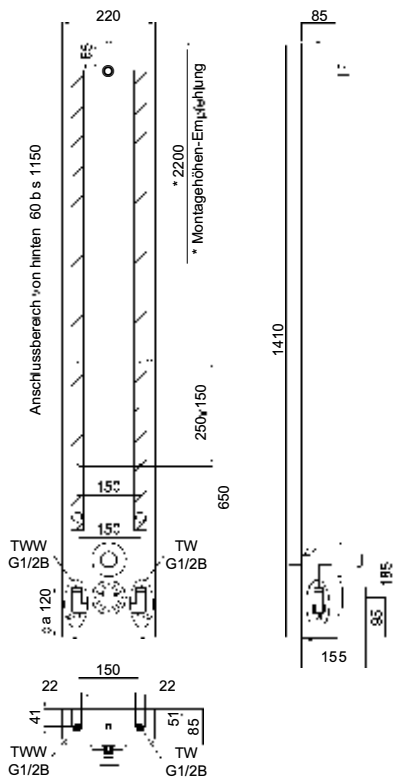
## CONGENIAL shower panel, stainless steel, thermostat, water hydraulics, DN15

<p><b>Technical data:</b></p> <p>Operating pressure: 1,5-5,0 bar</p> <p>Water temp. standard operation (max.): 70 °C</p> <p>Water temp. thermal disinfection: Short-term for therm. disinfection 80 °C</p> <p>Flow rate DN15: 0,15 l/s (flow rate regulator)</p> <p>Water flow time setting range: 3-30 s</p> <p>Water flow time factory setting: 30 s</p> <p>Dimensions (WxHxD): 220x1400x80 mm</p>	<p><b>Required accessories:</b></p> <p>Shower head, hand shower set</p> <p><b>Optional accessories:</b></p> <p>Connection kit</p> <p>Cover extension</p> <p>CONO321000 Thermal disinfection (electronic) (precondition: with corresponding wiring / power supply unit and key switch) see chapter accessories</p>
--	---

Showers mechanical

						
Version		Thermal disinfection (manual)	Adjustable water flow time	Integrated shelf	Article number for version hand shower	Article number for version shower head
			•	•	<b>CONM0212214000</b>	<b>CONM0112214000</b>
		•	•	•	<b>CONM0212214002</b>	<b>CONM0112214002</b>
			•		<b>CONM0211214000</b>	<b>CONM0111214000</b>
		•	•		<b>CONM0211214002</b>	<b>CONM0111214002</b>
Shower heads	See chapter shower heads	CONHEAD jet shower head GOLF				<b>CONO010010</b>
		CONHEAD rain shower head RAIN2				<b>CONO020010</b>
		CONHEAD rain shower head SHORTY				<b>CONO030010</b>
		CONHEAD jet shower head VESUV				<b>CONO060010</b>
		CONHEAD jet shower head CITY				<b>CONO050010</b>
		CONHEAD hand shower set			<b>CONO040010</b>	

## CONGENIAL shower panel, AVW, thermostat, water hydraulics, DN15



### CONGENIAL shower panel, AVW, thermostat, water hydraulics, DN15

Mechanical shower faucet designed as shower panel in nominal diameter DN15.

With thermostatic mixing device for connection to cold and hot water. Application in new construction building and renovation in commercial, semi-public and public sanitary facilities.

- AVW shower panel. Model with mounting frame for fixing the water path, including mounting material
- Cover 2K-acrylic composite material, break-proof and impact-resistant, very easy to clean
- Mounting frame made of stainless steel 1.4301
- Multifunction tool for maintenance work
- Adaptive multifunctional water path CONGENIAL with manual TD plug installed for thermal disinfection
- Upgrade and retrofitting functions
- Water path: dezincification resistant forged brass, as a high-quality thermostatic mixer, thermostat handle: chromed brass
- Visible components made of solid, chromed brass, with safety stop
- Choice of temperature setting range
- Integrated check valve in the bypass and check valve and strainer cartridges for water inlets
- All functional parts can be disassembled from the front during maintenance work without removing the valve body
- Mechanic operation of the shower function via water-hydraulic self-closing button
- The water flow time of the shower function can be adjusted in mechanical hydraulic showers by means of an adjustment screw in the hydraulics of each shower

#### Execution options:

#### Cover versions:

With or without integrated soap dish




#### Thermal disinfection (manual):

The thermal disinfection of a shower based on the adaptive multifunctional water path CONGENIAL with bypass solenoid valve can be executed with a manual TD plug installed in the bypass directly per shower.

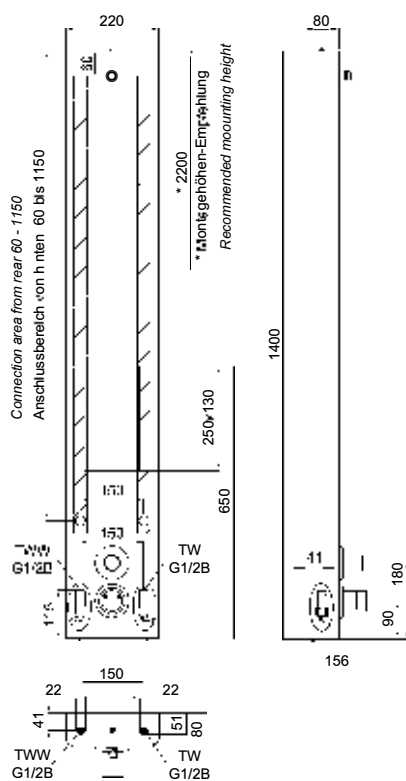
## CONGENIAL shower panel, AVW, thermostat, water hydraulics, DN15

<p><b>Technical data:</b></p> <p>Operating pressure: 1,5-5,0 bar</p> <p>Water temp. standard operation (max.): 70 °C</p> <p>Water temp. thermal disinfection: Short-term for therm. disinfection 80 °C</p> <p>Flow rate DN15: 0,15 l/s (flow rate regulator)</p> <p>Water flow time setting range: 3-30 s</p> <p>Water flow time factory setting: 30 s</p> <p>Dimensions (WxHxD): 220x1410x85 mm</p>	<p><b>Required accessories:</b></p> <p>Shower head, hand shower set</p> <p><b>Optional accessories:</b></p> <p>Connection kit</p> <p>Cover extension</p> <p>CONO321000 Thermal disinfection (electronic) (precondition: with corresponding wiring / power supply unit and key switch) see chapter accessories</p>
--	---

Showers  
mechanical

						
Version		Thermal disinfection (manual)	Adjustable water flow time	Integrated shelf	Article number for version hand shower	Article number for version shower head
			•	•	<b>CONM0232214000</b>	<b>CONM0132214000</b>
		•	•	•	<b>CONM0232214002</b>	<b>CONM0132214002</b>
			•		<b>CONM0231214000</b>	<b>CONM0131214000</b>
		•	•		<b>CONM0231214002</b>	<b>CONM0131214002</b>
Shower heads	See chapter shower heads					<b>CONO010010</b>
		CONHEAD jet shower head GOLF				<b>CONO020010</b>
		CONHEAD rain shower head RAIN2				<b>CONO030010</b>
		CONHEAD rain shower head SHORTY				<b>CONO060010</b>
		CONHEAD jet shower head VESUV				<b>CONO050010</b>
		CONHEAD jet shower head CITY			<b>CONO040010</b>	
		CONHEAD hand shower set				

## CONGENIAL shower panel, stainless steel, thermostat, on/off-handle, DN15



### CONGENIAL shower panel, stainless steel, thermostat, on/off-handle, DN15

Mechanical shower faucet, designed as shower panel in nominal diameter DN15. With thermostatic mixing device for connection to cold and hot water. Application in new construction building and renovation in commercial, semi-public and public sanitary facilities.

- Stainless steel shower panel. Model with mounting frame for fixing the water path, including mounting material
- Cover and mounting frame made of stainless steel 1.4301
- All visible surfaces made of brushed stainless steel
- Multifunction tool for maintenance work
- Adaptive multifunctional water path CONGENIAL with manual TD plug installed for thermal disinfection
- Upgrade and retrofitting functions
- Water path: dezincification resistant forged brass, as a high-quality thermostatic mixer, thermostat handle: chromed brass
- Visible components made of solid, chromed brass, with safety stop
- Choice of temperature setting range
- Integrated check valve in the bypass and check valve and strainer cartridges for water inlets
- All functional parts can be disassembled from the front during maintenance work without removing the valve body
- Mechanical operation of the shower function via on/off-handle

#### Execution options:

##### Cover versions:

With or without seamlessly integrated soap dish




##### Thermal disinfection (manual):

The thermal disinfection of a shower based on the adaptive multifunctional water path CONGENIAL with bypass solenoid valve can be executed with a manual TD plug installed in the bypass directly per shower.

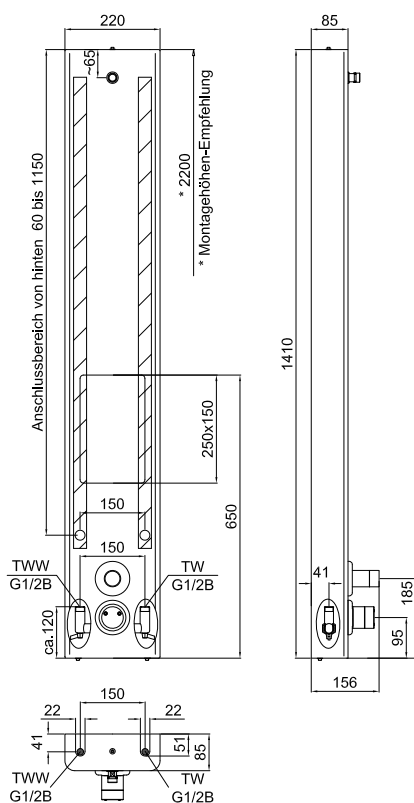
# CONGENIAL shower panel, stainless steel, thermostat, on/off-handle, DN15

<p><b>Technical data:</b></p> <p>Operating pressure: 1,5-5,0 bar</p> <p>Water temp. standard operation (max.): 70 °C</p> <p>Water temp. thermal disinfection: Short-term for therm. disinfection 80 °C</p> <p>Water flow time setting range: 3-30 s</p> <p>Water flow time factory setting: 30 s</p> <p>Dimensions (WxHxD): 220x1400x80 mm</p>	<p><b>Required accessories:</b></p> <p>Shower head, hand shower set</p> <p><b>Optional accessories:</b></p> <p>Connection kit</p> <p>Cover extension</p> <p>CONO321000 Thermal disinfection (electronic) (precondition: with corresponding wiring / power supply unit and key switch) see chapter accessories</p>
--	---

Showers  
mechanical

						
Version		Thermal disinfection (manual)	Adjustable water flow time	Integrated shelf	Article number for version hand shower	Article number for version shower head
			•	•	<b>CONM0212216000</b>	<b>CONM0112216000</b>
		•	•	•	<b>CONM0212216002</b>	<b>CONM0112216002</b>
			•		<b>CONM0211216000</b>	<b>CONM0111216000</b>
		•	•		<b>CONM0211216002</b>	<b>CONM0111216002</b>
Shower heads	See chapter shower heads					<b>CONO010010</b>
		CONHEAD jet shower head GOLF				<b>CONO020010</b>
		CONHEAD rain shower head RAIN2				<b>CONO030010</b>
		CONHEAD rain shower head SHORTY				<b>CONO060010</b>
		CONHEAD jet shower head VESUV				<b>CONO050010</b>
		CONHEAD jet shower head CITY				
		CONHEAD hand shower set			<b>CONO040010</b>	

## CONGENIAL shower panel, AVW, thermostat, on/off-handle, DN15



### CONGENIAL shower panel, AVW, thermostat, on/off-handle, DN15

Mechanical shower faucet designed as shower panel in nominal diameter DN15. With thermostatic mixing device for connection to cold and hot water. Application in new construction building and renovation in commercial, semi-public and public sanitary facilities.

- AVW shower panel. Model with mounting frame for fixing the water path, including mounting material
- Cover 2K-acrylic composite material, break-proof and impact-resistant, very easy to clean
- Mounting frame made of stainless steel 1.4301
- Multifunction tool for maintenance work
- Adaptive multifunctional water path CONGENIAL with manual TD plug installed for thermal disinfection
- Upgrade and retrofitting functions
- Water path: dezincification resistant forged brass, as a high-quality thermostatic mixer, thermostat handle: chromed brass
- Visible components made of solid, chromed brass, with safety stop
- Choice of temperature setting range
- Integrated check valve in the bypass and check valve and strainer cartridges for water inlets
- All functional parts can be disassembled from the front during maintenance work without removing the valve body
- Mechanical operation of the shower function via on/off-handle

#### Execution options:

##### Cover versions:

With or without seamlessly integrated soap dish

##### Thermal disinfection (manual):




The thermal disinfection of a shower based on the adaptive multifunctional water path CONGENIAL with bypass solenoid valve can be executed with a manual TD plug installed in the bypass directly per shower.



## CONGENIAL shower panel, AVW, thermostat, on/off-handle, DN15

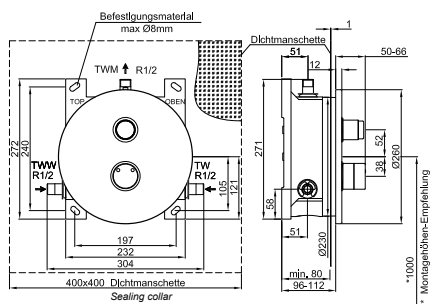
<p><b>Technical data:</b></p> <p>Operating pressure: 1,5-5,0 bar</p> <p>Water temp. standard operation (max.): 70 °C</p> <p>Water temp. thermal disinfection: Short-term for therm. disinfection 80 °C</p> <p>Water flow time setting range: 3-30 s</p> <p>Water flow time factory setting: 30 s</p> <p>Dimensions (WxHxD): 220x1400x80 mm</p>	<p><b>Required accessories:</b></p> <p>Shower head, hand shower set</p> <p><b>Optional accessories:</b></p> <p>Connection kit</p> <p>Cover extension</p> <p>CONO321000 Thermal disinfection (electronic) (precondition: with corresponding wiring / power supply unit and key switch) see chapter accessories</p>
--	---

Showers  
mechanical

						
Version		Thermal disinfection (manual)	Adjustable water flow time	Integrated shelf	Article number for version hand shower	Article number for version shower head
			•	•	<b>CONM0232216000</b>	<b>CONM0132216000</b>
		•	•	•	<b>CONM0232216002</b>	<b>CONM0132216002</b>
			•		<b>CONM0231216000</b>	<b>CONM0131216000</b>
		•	•		<b>CONM0231216002</b>	<b>CONM0131216002</b>
Shower heads	See chapter shower heads					<b>CONO010010</b>
		CONHEAD jet shower head GOLF				<b>CONO020010</b>
		CONHEAD rain shower head RAIN2				<b>CONO030010</b>
		CONHEAD rain shower head SHORTY				<b>CONO060010</b>
		CONHEAD jet shower head VESUV				<b>CONO050010</b>
		CONHEAD jet shower head CITY				
		CONHEAD hand shower set			<b>CONO040010</b>	

# CONGENIAL concealed shower, stainless steel, round, thermostat, water hydraulics, DN15

Showers  
mechanical



## CONGENIAL concealed shower, stainless steel, round, thermostat, water hydraulics, DN15 - final assembly kit

Final assembly kit for mechanical shower, device designed as concealed shower in nominal diameter DN15. With thermostatic mixing device for connection to cold and hot water. Application in new construction building and renovation in commercial, semi-public and public sanitary facilities.

- Concealed shower final assembly kit with round cover plate
- Concealed mounting, robust quadruple lock, multi sealing system with drainage system for condensation
- Cover plate: stainless steel 1.4301, all visible surfaces made of brushed stainless steel
- Support frame for cover plate: ABS with EPDM lip seal
- Implementing functional elements and thermostat incl. EPDM sealing rings
- Multifunction tool for maintenance work
- Adaptive multifunctional water path CONGENIAL with manual TD plug installed for thermal disinfection
- Upgrade and retrofitting functions
- Water path: dezincification resistant forged brass, as a high-quality thermostatic mixer, thermostat handle: chromed brass
- Visible components made of solid chromed brass, with safety stop
- Choice of temperature setting range
- Integrated check valve in the bypass and check valve and strainer cartridges for water inlets
- Some of the functional parts can be dismantled during maintenance work without removing the valve body
- Mechanical operation of the shower function via water-hydraulic self-closing button
- The water flow time of the shower function can be adjusted in mechanical hydraulic showers by means of an adjustment screw in the hydraulics of each shower

### Execution options:

#### Thermal disinfection (manual):

The thermal disinfection of a shower based on the adaptive multifunctional water path CONGENIAL with bypass solenoid valve can be executed with a manual TD plug installed in the bypass directly per shower.

#### Technical data:

Operating pressure: 1,5-5,0 bar  
 Water temp. standard operation (max.): 70 °C  
 Water temp. thermal disinfection: Short-term for therm. disinfection 80 °C  
 Flow rate DN15: 0,15 l/s (flow rate regulator)  
 Water flow time setting range: 3 - 120 s  
 Water flow time factory setting: 30 s  
 Dimensions (ØxD): 260x12 mm

#### Required accessories:

CONR0112 raw-assembling set, alternatively CONR1112 shower head, hand shower set

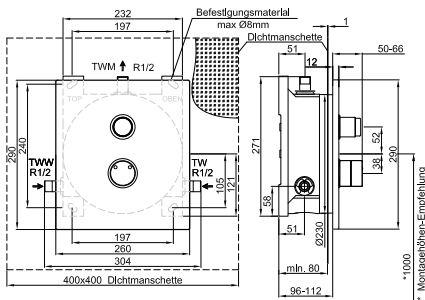
#### Optional accessories:

CONO321000 Thermal disinfection (electronic) (precondition: with corresponding wiring / power supply unit and key switch) see chapter accessories

Version		Thermal disinfection (manual)	Adjustable water flow time	Article number
		•	•	CONM2113214000
		•	•	CONM2113214020
Shower heads	See chapter shower heads	CONHEAD jet shower head GOLF		CONO010000
		CONHEAD rain shower head RAIN2		CONO020000
		CONHEAD rain shower head SHORTY		CONO030000
		CONHEAD jet shower head VESUV		CONO060000
		CONHEAD jet shower head CTY		CONO050000
		CONHEAD hand shower set		CONO040000

# CONGENIAL concealed shower, stainless steel, angular, thermostat, water hydraulics, DN15

Showers  
mechanical



## CONGENIAL concealed shower, stainless steel, angular, thermostat, water hydraulics, DN15 - final assembly kit

Final assembly kit for mechanical shower, device designed as concealed shower in nominal diameter DN15. With thermostatic mixing device for connection to cold and hot water. Application in new construction building and renovation in commercial, semi-public and public sanitary facilities.

- Concealed shower final assembly kit with angular cover plate
- Concealed mounting, robust quadruple lock, multi sealing system with drainage system for condensation
- Cover plate: stainless steel 1.4301, all visible surfaces made of brushed stainless steel
- Support frame for cover plate: ABS with EPDM lip seal
- Implementing functional elements and thermostat incl. EPDM sealing rings
- Multifunction tool for maintenance work
- Adaptive multifunctional water path CONGENIAL with manual TD plug installed for thermal disinfection
- Upgrade and retrofitting functions
- Water path: dezincification resistant forged brass, as a high-quality thermostatic mixer, thermostat handle: chromed brass
- Visible components made of solid chromed brass, with safety stop
- Choice of temperature setting range
- Integrated check valve in the bypass and check valve and strainer cartridges for water inlets
- Some of the functional parts can be dismantled during maintenance work without removing the valve body
- Mechanical operation of the shower function via water-hydraulic self-closing button
- The water flow time of the shower function can be adjusted in mechanical hydraulic showers by means of an adjustment screw in the hydraulics of each shower

### Execution options:

#### Thermal disinfection (manual):

The thermal disinfection of a shower based on the adaptive multifunctional water path CONGENIAL with bypass solenoid valve can be executed with a manual TD plug installed in the bypass directly per shower.

#### Technical data:

Operating pressure:	1,5-5,0 bar
Water temp. standard operation (max.):	70 °C
Water temp. thermal disinfection:	Short-term for therm. disinfection 80 °C
Flow rate DN15:	0,15 l/s (flow rate regulator)
Water flow time setting range:	3 - 120 s
Water flow time factory setting:	30 s
Dimensions (ØxD):	260x12 mm

#### Required accessories:

CONR0112 raw-assembling set, alternatively CONR1112 shower head, hand shower set

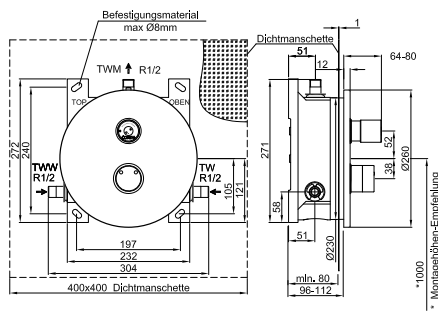
#### Optional accessories:

CONO321000 Thermal disinfection (electronic) (precondition: with corresponding wiring / power supply unit and key switch) see chapter accessories

Version		Thermal disinfection (manual)	Adjustable water flow time	Article number
		•	•	<b>CONM2115214000</b>
		•	•	<b>CONM2115214020</b>
Shower heads	See chapter shower heads			
		CONHEAD jet shower head GOLF		<b>CONO010000</b>
		CONHEAD rain shower head RAIN2		<b>CONO020000</b>
		CONHEAD rain shower head SHORTY		<b>CONO030000</b>
		CONHEAD jet shower head VESUV		<b>CONO060000</b>
		CONHEAD jet shower head CTY		<b>CONO050000</b>
		CONHEAD hand shower set		<b>CONO040000</b>

# CONGENIAL concealed shower, stainless steel, round, thermostat, oil hydraulics, DN15

Showers  
mechanical



## CONGENIAL concealed shower, stainless steel, round, thermostat, oil hydraulics, DN15 - final assembly kit

Final assembly kit for mechanical shower, device designed as concealed shower in nominal diameter DN15. With thermostatic mixing device for connection to cold and hot water. Application in new construction building and renovation in commercial, semi-public and public sanitary facilities.

- Concealed shower final assembly kit with round cover plate
- Concealed mounting, robust quadruple lock, multi sealing system with drainage system for condensation
- Cover plate: stainless steel 1.4301, all visible surfaces made of brushed stainless steel
- Support frame for cover plate: ABS with EPDM lip seal
- Implementing functional elements and thermostat incl. EPDM sealing rings
- Multifunction tool for maintenance work
- Adaptive multifunctional water path CONGENIAL with manual TD plug installed for thermal disinfection
- Upgrade and retrofitting functions
- Water path: dezincification resistant forged brass, as a high-quality thermostatic mixer, thermostat handle: chromed brass
- Visible components made of solid chromed brass, with safety stop
- Choice of temperature setting range
- Integrated check valve in the bypass and check valve and strainer cartridges for water inlets
- Some of the functional parts can be dismantled during maintenance work without removing the valve body
- Mechanical operation of the shower function via oil hydraulic self-closing button
- The water flow time of the shower function can be adjusted in mechanical hydraulic showers by means of an adjustment screw in the hydraulics of each shower

### Execution options:

#### Thermal disinfection (manual):

The thermal disinfection of a shower based on the adaptive multifunctional water path CONGENIAL with bypass solenoid valve can be executed with a manual TD plug installed in the bypass directly per shower.

#### Technical data:

Operating pressure: 1,5-5,0 bar  
 Water temp. standard operation (max.): 70 °C  
 Water temp. thermal disinfection: Short-term for therm. disinfection 80 °C  
 Flow rate DN15: 0,15 l/s (flow rate regulator)  
 Water flow time setting range: 3-120 s  
 Water flow time factory setting: 30 s  
 Dimensions (ØxD): 260x12 mm

#### Required accessories:

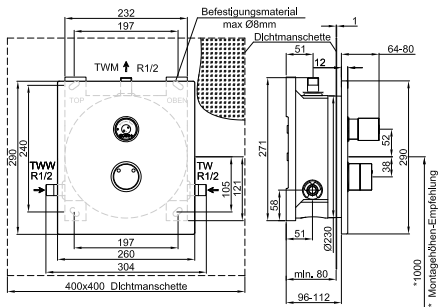
CONR0112 raw-assembling set, alternatively CONR1112 shower head, hand shower set

#### Optional accessories:

CONO321000 Thermal disinfection (electronic) (precondition: with corresponding wiring / power supply unit and key switch) see chapter accessories

Version		Thermal disinfection (manual)	Adjustable water flow time	Article number
		•	•	<b>CONM2113215000</b>
		•	•	<b>CONM2113215020</b>
Shower heads	See chapter shower heads	CONHEAD jet shower head GOLF		<b>CONO010000</b>
		CONHEAD rain shower head RAIN2		<b>CONO020000</b>
		CONHEAD rain shower head SHORTY		<b>CONO030000</b>
		CONHEAD jet shower head VESUV		<b>CONO060000</b>
		CONHEAD jet shower head CTY		<b>CONO050000</b>
		CONHEAD hand shower set		<b>CONO040000</b>

CONGENIAL concealed shower, stainless steel, angular, thermostat, oil hydraulics, DN15



CONGENIAL concealed shower, stainless steel, angular, thermostat, oil hydraulics, DN15 - final assembly kit

Final assembly kit for mechanical shower, device designed as concealed shower in nominal diameter DN15. With thermostatic mixing device for connection to cold and hot water. Application in new construction building and renovation in commercial, semi-public and public sanitary facilities.

- Concealed shower final assembly kit with angular cover plate
- Concealed mounting, robust quadruple lock, multi sealing system with drainage system for condensation
- Cover plate: stainless steel 1.4301, all visible surfaces made of brushed stainless steel
- Support frame for cover plate: ABS with EPDM lip seal
- Implementing functional elements and thermostat incl. EPDM sealing rings
- Multifunction tool for maintenance work
- Adaptive multifunctional water path CONGENIAL with manual TD plug installed for thermal disinfection
- Upgrade and retrofitting functions
- Water path: dezincification resistant forged brass, as a high-quality thermostatic mixer, thermostat handle: chromed brass
- Visible components made of solid chromed brass, with safety stop
- Choice of temperature setting range
- Integrated check valve in the bypass and check valve and strainer cartridges for water inlets
- Some of the functional parts can be dismantled during maintenance work without removing the valve body
- Mechanical operation of the shower function via oil hydraulic self-closing button
- The water flow time of the shower function can be adjusted in mechanical hydraulic showers by means of an adjustment screw in the hydraulics of each shower

**Execution options:**

**Thermal disinfection (manual):**

The thermal disinfection of a shower based on the adaptive multifunctional water path CONGENIAL with bypass solenoid valve can be executed with a manual TD plug installed in the bypass directly per shower.

**Technical data:**

Operating pressure:	1,5-5,0 bar
Water temp. standard operation (max.):	70 °C
Water temp. thermal disinfection:	Short-term for therm. disinfection 80 °C
Flow rate DN15:	0,15 l/s (flow rate regulator)
Water flow time setting range:	3 - 120 s
Water flow time factory setting:	30 s
Dimensions (ØxD):	260x12 mm

**Required accessories:**

CONR0112 raw-assembling set, alternatively CONR1112 shower head, hand shower set

**Optional accessories:**

CONO321000 Thermal disinfection (electronic) (precondition: with corresponding wiring / power supply unit and key switch) see chapter accessories

				Article number
		Thermal disinfection (manual)	Adjustable water flow time	
Version			•	<b>CONM2115215000</b>
		•	•	<b>CONM2115215020</b>
Shower heads	See chapter shower heads	CONHEAD jet shower head GOLF		<b>CONO010000</b>
		CONHEAD rain shower head RAIN2		<b>CONO020000</b>
		CONHEAD rain shower head SHORTY		<b>CONO030000</b>
		CONHEAD jet shower head VESUV		<b>CONO060000</b>
		CONHEAD jet shower head CTY		<b>CONO050000</b>
		CONHEAD hand shower set		<b>CONO040000</b>

# CONGENIAL concealed shower, stainless steel, round, thermostat, on/off-handle, DN15

Showers  
mechanical



## CONGENIAL concealed shower, stainless steel, round, thermostat, on/off-handle, DN15 - final assembly kit

Final assembly kit for mechanical shower, device designed as concealed shower in nominal diameter DN15. With thermostatic mixing device for connection to cold and hot water. Application in new construction building and renovation in commercial, semi-public and public sanitary facilities.

- Concealed shower final assembly kit with round cover plate
- Concealed mounting, robust quadruple lock, multi sealing system with drainage system for condensation
- Cover plate: stainless steel 1.4301, all visible surfaces made of brushed stainless steel
- Support frame for cover plate: ABS with EPDM lip seal
- Implementing functional elements and thermostat incl. EPDM sealing rings
- Multifunction tool for maintenance work
- Adaptive multifunctional water path CONGENIAL with manual TD plug installed for thermal disinfection
- Upgrade and retrofitting functions
- Water path: dezincification resistant forged brass, as a high-quality thermostatic mixer, thermostat handle: chromed brass
- Visible components made of solid chromed brass, with safety stop
- Choice of temperature setting range
- Integrated check valve in the bypass and check valve and strainer cartridges for water inlets
- Some of the functional parts can be dismantled during maintenance work without removing the valve body
- Mechanical operation of the shower function via on/off-handle

### Execution options:

#### Thermal disinfection (manual):

The thermal disinfection of a shower based on the adaptive multifunctional water path CONGENIAL with bypass solenoid valve can be executed with a manual TD plug installed in the bypass directly per shower.

#### Technical data:

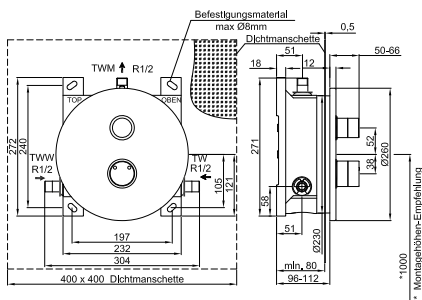
Operating pressure: 1,5-5,0 bar  
 Water temp. standard operation (max.): 70 °C  
 Water temp. thermal disinfection: Short-term for therm. disinfection 80 °C  
 Water flow time setting range: 3 - 120 s  
 Water flow time factory setting: 30 s  
 Dimensions (ØxD): 260x12 mm

#### Required accessories:

CONR0112 raw-assembling set, alternatively CONR1112 shower head, hand shower set

#### Optional accessories:

CONO321000 Thermal disinfection (electronic) (precondition: with corresponding wiring / power supply unit and key switch) see chapter accessories



Thermal disinfection (manual)

Article number

CONM2113216000

CONM2113216020

Shower heads

See chapter shower heads

CONHEAD jet shower head GOLF

CONO010000

CONHEAD rain shower head RAIN2

CONO020000

CONHEAD rain shower head SHORTY

CONO030000

CONHEAD jet shower head VESUV

CONO060000

CONHEAD jet shower head CTY

CONO050000

CONHEAD hand shower set

CONO040000

# CONGENIAL concealed shower, stainless steel, angular, thermostat, on/off-handle, DN15

Showers  
mechanical



## CONGENIAL concealed shower, stainless steel, angular, thermostat, on/off-handle, DN15 - final assembly kit

Final assembly kit for mechanical shower, device designed as concealed shower in nominal diameter DN15. With thermostatic mixing device for connection to cold and hot water. Application in new construction building and renovation in commercial, semi-public and public sanitary facilities.

- Concealed shower final assembly kit with angular cover plate
- Concealed mounting, robust quadruple lock, multi sealing system with drainage system for condensation
- Cover plate: stainless steel 1.4301, all visible surfaces made of brushed stainless steel
- Support frame for cover plate: ABS with EPDM lip seal
- Implementing functional elements and thermostat incl. EPDM sealing rings
- Multifunction tool for maintenance work
- Adaptive multifunctional water path CONGENIAL with manual TD plug installed for thermal disinfection
- Upgrade and retrofitting functions
- Water path: dezincification resistant forged brass, as a high-quality thermostatic mixer, thermostat handle: chromed brass
- Visible components made of solid chromed brass, with safety stop
- Choice of temperature setting range
- Integrated check valve in the bypass and check valve and strainer cartridges for water inlets
- Some of the functional parts can be dismantled during maintenance work without removing the valve body
- Mechanical operation of the shower function via on/off-handle

### Execution options:

#### Thermal disinfection (manual):

The thermal disinfection of a shower based on the adaptive multifunctional water path CONGENIAL with bypass solenoid valve can be executed with a manual TD plug installed in the bypass directly per shower.

#### Technical data:

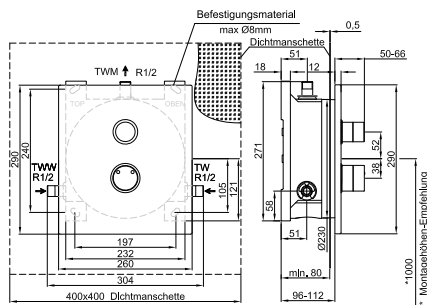
Operating pressure:	1,5-5,0 bar
Water temp. standard operation (max.):	70 °C
Water temp. thermal disinfection:	Short-term for therm. disinfection 80 °C
Water flow time setting range:	3 - 120 s
Water flow time factory setting:	30 s
Dimensions (ØxD):	260x12 mm

#### Required accessories:

CONR0112 raw-assembling set, alternatively CONR1112 shower head, hand shower set

#### Optional accessories:

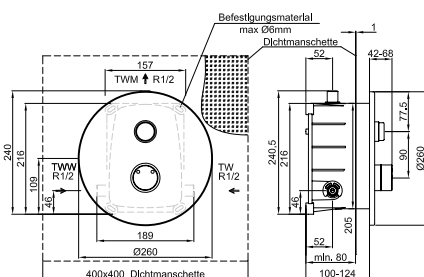
CONO321000 Thermal disinfection (electronic) (precondition: with corresponding wiring / power supply unit and key switch) see chapter accessories



Version		Thermal disinfection (manual)	Article number
		•	<b>CONM2115216000</b>
			<b>CONM2115216020</b>
Shower heads	See chapter shower heads	CONHEAD jet shower head GOLF	<b>CONO010000</b>
		CONHEAD rain shower head RAIN2	<b>CONO020000</b>
		CONHEAD rain shower head SHORTY	<b>CONO030000</b>
		CONHEAD jet shower head VESUV	<b>CONO060000</b>
		CONHEAD jet shower head CTY	<b>CONO050000</b>
		CONHEAD hand shower set	<b>CONO040000</b>

# CONGENIAL FIT concealed shower, stainless steel, round, water hydraulics, DN15

Showers  
mechanical



## CONGENIAL FIT concealed shower, stainless steel, round, water hydraulics, DN15 - final assembly kit

Final assembly kit for mechanical shower device, designed as concealed shower in nominal diameter DN15. With thermostatic mixing device for connection to cold and hot water. Application in new construction building and renovation in commercial, semi-public and public sanitary facilities.

- Concealed shower final assembly kit with round cover plate
- Concealed mounting, robust double lock, multi sealing system with drainage system for condensation
- Cover plate: stainless steel 1.4301, all visible surfaces made of brushed stainless steel. Support frame for cover plate
- Implementing functional elements and thermostat incl. EPDM sealing rings
- Multifunction tool for maintenance work
- Adaptive multifunctional water path CONGENIAL with manual TD plug installed for thermal disinfection
- Upgrade and retrofitting functions
- Water path: dezincification resistant forged brass, as a high-quality thermostatic mixer, thermostat handle: chromed brass
- Visible components made of solid chromed brass, with safety stop
- Choice of temperature setting range
- Integrated check valve in the bypass and check valve and strainer cartridges for water inlets
- Some of the functional parts can be dismantled during maintenance work without removing the valve body
- Mechanical operation of the shower function via water-hydraulic self-closing button
- The water flow time of the shower function can be adjusted in mechanical hydraulic showers by means of an adjustment screw in the hydraulics of each shower

### Execution options:

#### Thermal disinfection (manual):

The thermal disinfection of a shower based on the adaptive multifunctional water path CONGENIAL with bypass solenoid valve can be executed with a manual TD plug installed in the bypass directly per shower.

#### Technical data:

Operating pressure:	1,5-5,0 bar
Water temp. standard operation (max.):	70 °C
Water temp. thermal disinfection:	Short-term for therm. disinfection 80 °C
Flow rate DN15:	0,15 l/s
Water flow time setting range:	3-30 s
Water flow time factory setting:	30 s
Dimensions (ØxD):	260x12 mm

#### Required accessories:

CONR2112 Raw-assembling set, shower head, hand shower set

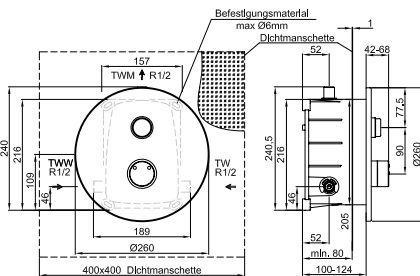
#### Optional accessories:

CONO321000 Thermal disinfection (electronic) (precondition: with corresponding wiring / power supply unit and key switch) see chapter accessories

Version		Thermal disinfection (manual)	Adjustable water flow time	Article number
		•	•	<b>CONM2114214000</b>
		•	•	<b>CONM2114214020</b>
Shower heads	See chapter shower heads			<b>CONO010000</b>
				<b>CONO020000</b>
				<b>CONO030000</b>
				<b>CONO060000</b>
				<b>CONO050000</b>
				<b>CONO040000</b>



# CONGENIAL FIT concealed shower, chromed, round, water hydraulics, DN15



## CONGENIAL FIT concealed shower, chromed, round, water hydraulics, DN15 - final assembly kit

Final assembly kit for mechanical shower device, designed as concealed shower in nominal diameter DN15. With thermostatic mixing device for connection to cold and hot water. Application in new construction building and renovation in commercial, semi-public and public sanitary facilities.

- Concealed shower final assembly kit with round cover plate
- Concealed mounting, robust double lock, multi sealing system with drainage system for condensation
- Cover plate: stainless steel 1.4301, all visible surfaces made of chromed stainless steel. Support frame for cover plate
- Implementing functional elements and thermostat incl. EPDM sealing rings
- Multifunction tool for maintenance work
- Adaptive multifunctional water path CONGENIAL with manual TD plug installed for thermal disinfection
- Upgrade and retrofitting functions
- Water path: dezincification resistant forged brass, as a high-quality thermostatic mixer, thermostat handle: chromed brass
- Visible components made of solid chromed brass, with safety stop
- Choice of temperature setting range
- Integrated check valve in the bypass and check valve and strainer cartridges for water inlets
- Some of the functional parts can be dismantled during maintenance work without removing the valve body
- Mechanical operation of the shower function via water-hydraulic self-closing button
- The water flow time of the shower function can be adjusted in mechanical hydraulic showers by means of an adjustment screw in the hydraulics of each shower

### Execution options:

#### Thermal disinfection (manual):

The thermal disinfection of a shower based on the adaptive multifunctional water path CONGENIAL with bypass solenoid valve can be executed with a manual TD plug installed in the bypass directly per shower.

#### Technical data:

Operating pressure:	1,5-5,0 bar
Water temp. standard operation (max.):	70 °C
Water temp. thermal disinfection:	Short-term for therm. disinfection 80 °C
Flow rate DN15:	0,15 l/s
Water flow time setting range:	3-30 s
Water flow time factory setting:	30 s
Dimensions (ØxD):	260x12 mm

#### Required accessories:

CONR2112 Raw-assembling set, shower head, hand shower set

#### Optional accessories:

CONO321000 Thermal disinfection (electronic) (precondition: with corresponding wiring / power supply unit and key switch) see chapter accessories

Version		Thermal disinfection (manual)	Adjustable water flow time	Article number
		•	•	<b>CONM2154214000</b>
		•	•	<b>CONM2154214020</b>
Shower heads	See chapter shower heads			
		CONHEAD jet shower head GOLF		<b>CONO010000</b>
		CONHEAD rain shower head RAIN2		<b>CONO020000</b>
		CONHEAD rain shower head SHORTY		<b>CONO030000</b>
		CONHEAD jet shower head VESUV		<b>CONO060000</b>
		CONHEAD jet shower head CTY		<b>CONO050000</b>
		CONHEAD hand shower set		<b>CONO040000</b>

# CONGENIAL FIT concealed shower, stainless steel, round, on/off-handle, DN15

Showers  
mechanical



## CONGENIAL FIT concealed shower, stainless steel, round, on/off-handle, DN15 - final assembly kit

Final assembly kit for mechanical shower device, designed as concealed shower in nominal diameter DN15. With thermostatic mixing device for connection to cold and hot water. Application in new construction building and renovation in commercial, semi-public and public sanitary facilities.

- Concealed shower final assembly kit with round cover plate
- Concealed mounting, robust double lock, multi sealing system with drainage system for condensation
- Cover plate: stainless steel 1.4301, all visible surfaces made of brushed stainless steel. Support frame for cover plate
- Implementing functional elements and thermostat incl. EPDM sealing rings
- Multifunction tool for maintenance work
- Adaptive multifunctional water path CONGENIAL with manual TD plug installed for thermal disinfection
- Upgrade and retrofitting functions
- Water path: dezincification resistant forged brass, as a high-quality thermostatic mixer, thermostat handle: chromed brass
- Visible components made of solid chromed brass, with safety stop
- Choice of temperature setting range
- Integrated check valve in the bypass and check valve and strainer cartridges for water inlets
- Some of the functional parts can be dismantled during maintenance work without removing the valve body
- Mechanical operation of the shower function via on/off-handle

### Execution options:

#### Thermal disinfection (manual):

The thermal disinfection of a shower based on the adaptive multifunctional water path CONGENIAL with bypass solenoid valve can be executed with a manual TD plug installed in the bypass directly per shower.

#### Technical data:

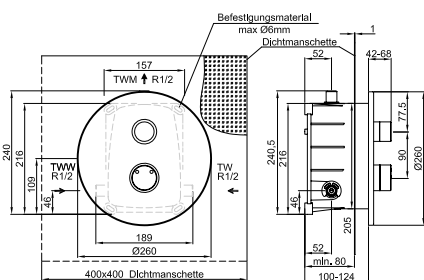
Operating pressure:	1,5-5,0 bar
Water temp. standard operation (max.):	70 °C
Water temp. thermal disinfection:	Short-term for therm. disinfection 80 °C
Water flow time setting range:	3-30 s
Water flow time factory setting:	30 s
Dimensions (ØxD):	260x12 mm

#### Required accessories:

CONR2112 Raw-assembling set, shower head, hand shower set

#### Optional accessories:

CONO321000 Thermal disinfection (electronic) (precondition: with corresponding wiring / power supply unit and key switch) see chapter accessories



Version		Thermal disinfection (manual)	Article number
		•	<b>CONM2114216000</b>
			<b>CONM2114216020</b>
Shower heads	See chapter shower heads	CONHEAD jet shower head GOLF	<b>CONO010000</b>
		CONHEAD rain shower head RAIN2	<b>CONO020000</b>
		CONHEAD rain shower head SHORTY	<b>CONO030000</b>
		CONHEAD jet shower head VESUV	<b>CONO060000</b>
		CONHEAD jet shower head CTY	<b>CONO050000</b>
		CONHEAD hand shower set	<b>CONO040000</b>

# CONGENIAL FIT concealed shower, chromed, round, on/off-handle, DN15



## CONGENIAL FIT concealed shower, chromed, round, on/off-handle, DN15 - final assembly kit

Final assembly kit for mechanical shower device, designed as concealed shower in nominal diameter DN15. With thermostatic mixing device for connection to cold and hot water. Application in new construction building and renovation in commercial, semi-public and public sanitary facilities.

- Concealed shower final assembly kit with round cover plate
- Concealed mounting, robust double lock, multi sealing system with drainage system for condensation
- Cover plate: stainless steel 1.4301, all visible surfaces made of chromed stainless steel. Support frame for cover plate
- Implementing functional elements and thermostat incl. EPDM sealing rings
- Multifunction tool for maintenance work
- Adaptive multifunctional water path CONGENIAL with manual TD plug installed for thermal disinfection
- Upgrade and retrofitting functions
- Water path: dezincification resistant forged brass, as a high-quality thermostatic mixer, thermostat handle: chromed brass
- Visible components made of solid chromed brass, with safety stop
- Choice of temperature setting range
- Integrated check valve in the bypass and check valve and strainer cartridges for water inlets
- Some of the functional parts can be dismantled during maintenance work without removing the valve body
- Mechanical operation of the shower function via on/off-handle

### Execution options:

#### Thermal disinfection (manual):

The thermal disinfection of a shower based on the adaptive multifunctional water path CONGENIAL with bypass solenoid valve can be executed with a manual TD plug installed in the bypass directly per shower.

#### Technical data:

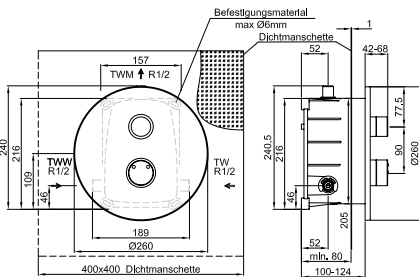
Operating pressure:	1,5-5,0 bar
Water temp. standard operation (max.):	70 °C
Water temp. thermal disinfection:	Short-term for therm. disinfection 80 °C
Water flow time setting range:	3-30 s
Water flow time factory setting:	30 s
Dimensions (ØxD):	260x12 mm

#### Required accessories:

CONR2112 Raw-assembling set, shower head, hand shower set

#### Optional accessories:

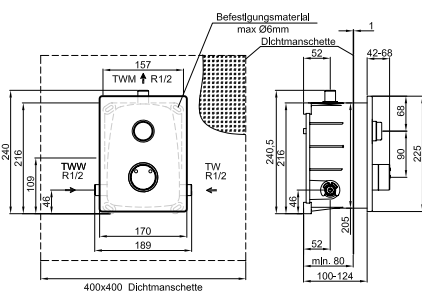
CONO321000 Thermal disinfection (electronic) (precondition: with corresponding wiring / power supply unit and key switch) see chapter accessories



Version		Thermal disinfection (manual)	Article number
		•	<b>CONM2154216000</b>
			<b>CONM2154216020</b>
Shower heads	See chapter shower heads	CONHEAD jet shower head GOLF	<b>CONO010000</b>
		CONHEAD rain shower head RAIN2	<b>CONO020000</b>
		CONHEAD rain shower head SHORTY	<b>CONO030000</b>
		CONHEAD jet shower head VESUV	<b>CONO060000</b>
		CONHEAD jet shower head CTY	<b>CONO050000</b>
		CONHEAD hand shower set	<b>CONO040000</b>

# CONGENIAL FIT concealed shower, stainless steel, angular, water hydraulics, DN15

Showers  
mechanical



## CONGENIAL FIT concealed shower, stainless steel, angular, water hydraulics, DN15 - final assembly kit

Final assembly kit for mechanical shower device, designed as concealed shower in nominal diameter DN15. With thermostatic mixing device for connection to cold and hot water. Application in new construction building and renovation in commercial, semi-public and public sanitary facilities.

- Concealed shower final assembly kit with angular cover plate
- Concealed mounting, robust double lock, multi sealing system with drainage system for condensation
- Cover plate: stainless steel 1.4301, all visible surfaces made of brushed stainless steel. Support frame for cover plate
- Implementing functional elements and thermostat incl. EPDM sealing rings
- Multifunction tool for maintenance work
- Adaptive multifunctional water path CONGENIAL with manual TD plug installed for thermal disinfection
- Upgrade and retrofitting functions
- Water path: dezincification resistant forged brass, as a high-quality thermostatic mixer, thermostat handle: chromed brass
- Visible components made of solid chromed brass, with safety stop
- Choice of temperature setting range
- Integrated check valve in the bypass and check valve and strainer cartridges for water inlets
- Some of the functional parts can be dismantled during maintenance work without removing the valve body
- Mechanical operation of the shower function via water-hydraulic self-closing button
- The water flow time of the shower function can be adjusted in mechanical hydraulic showers by means of an adjustment screw in the hydraulics of each shower

### Execution options:

#### Thermal disinfection (manual):

The thermal disinfection of a shower based on the adaptive multifunctional water path CONGENIAL with bypass solenoid valve can be executed with a manual TD plug installed in the bypass directly per shower.

#### Technical data:

Operating pressure:	1,5-5,0 bar
Water temp. standard operation (max.):	70 °C
Water temp. thermal disinfection:	Short-term for therm. disinfection 80 °C
Flow rate DN15:	0,15 l/s
Water flow time setting range:	3-30 s
Water flow time factory setting:	30 s
Dimensions (WxHxD):	170x225x10 mm

#### Required accessories:

CONR2112 Raw-assembling set, shower head, hand shower set

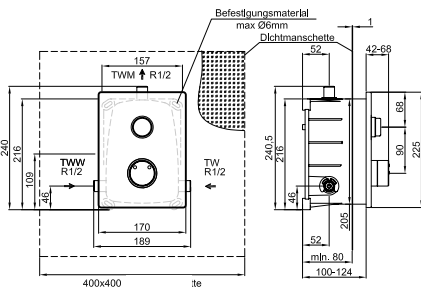
#### Optional accessories:

CONO321000 Thermal disinfection (electronic) (precondition: with corresponding wiring / power supply unit and key switch) see chapter accessories

Version		Therm. Desinfektion (manuell)	Adjustable water flow time	Article number
			•	<b>CONM2116214000</b>
		•	•	<b>CONM2116214020</b>
Shower heads	See chapter shower heads	CONHEAD jet shower head GOLF		<b>CONO010000</b>
		CONHEAD rain shower head RAIN2		<b>CONO020000</b>
		CONHEAD rain shower head SHORTY		<b>CONO030000</b>
		CONHEAD jet shower head VESUV		<b>CONO060000</b>
		CONHEAD jet shower head CTY		<b>CONO050000</b>
		CONHEAD hand shower set		<b>CONO040000</b>

# CONGENIAL FIT concealed shower, chromed, angular, water hydraulics, DN15

Showers  
mechanical



## CONGENIAL FIT concealed shower, chromed, angular, water hydraulics, DN15 - final assembly kit

Final assembly kit for mechanical shower device, designed as concealed shower in nominal diameter DN15. With thermostatic mixing device for connection to cold and hot water. Application in new construction building and renovation in commercial, semi-public and public sanitary facilities.

- Concealed shower final assembly kit with angular cover plate
- Concealed mounting, robust double lock, multi sealing system with drainage system for condensation
- Cover plate: stainless steel 1.4301, all visible surfaces made of chromed stainless steel. Support frame for cover plate
- Implementing functional elements and thermostat incl. EPDM sealing rings
- Multifunction tool for maintenance work
- Adaptive multifunctional water path CONGENIAL with manual TD plug installed for thermal disinfection
- Upgrade and retrofitting functions
- Water path: dezincification resistant forged brass, as a high-quality thermostatic mixer, thermostat handle: chromed brass
- Visible components made of solid chromed brass, with safety stop
- Choice of temperature setting range
- Integrated check valve in the bypass and check valve and strainer cartridges for water inlets
- Some of the functional parts can be dismantled during maintenance work without removing the valve body
- Mechanical operation of the shower function via water-hydraulic self-closing button
- The water flow time of the shower function can be adjusted in mechanical hydraulic showers by means of an adjustment screw in the hydraulics of each shower

### Execution options:

#### Thermal disinfection (manual):

The thermal disinfection of a shower based on the adaptive multifunctional water path CONGENIAL with bypass solenoid valve can be executed with a manual TD plug installed in the bypass directly per shower.

#### Technical data:

Operating pressure:	1,5-5,0 bar
Water temp. standard operation (max.):	70 °C
Water temp. thermal disinfection:	Short-term for therm. disinfection 80 °C
Flow rate DN15:	0,15 l/s
Water flow time setting range:	3-30 s
Water flow time factory setting:	30 s
Dimensions (WxHxD):	170x225x10 mm

#### Required accessories:

CONR2112 Raw-assembling set, shower head, hand shower set

#### Optional accessories:

CONO321000 Thermal disinfection (electronic) (precondition: with corresponding wiring / power supply unit and key switch) see chapter accessories

Version		Therm. Desinfektion (manuell)	Adjustable water flow time	Article number
		•	•	<b>CONM2156214000</b>
		•	•	<b>CONM2156214020</b>
Shower heads	See chapter shower heads			
		CONHEAD jet shower head GOLF		<b>CONO010000</b>
		CONHEAD rain shower head RAIN2		<b>CONO020000</b>
		CONHEAD rain shower head SHORTY		<b>CONO030000</b>
		CONHEAD jet shower head VESUV		<b>CONO060000</b>
		CONHEAD jet shower head CTY		<b>CONO050000</b>
		CONHEAD hand shower set		<b>CONO040000</b>

# CONGENIAL FIT concealed shower, stainless steel, angular, on/off-handle, DN15

Showers  
mechanical



## CONGENIAL FIT concealed shower, stainless steel, angular, on/off-handle, DN15 - final assembly kit

Final assembly kit for mechanical shower device, designed as concealed shower in nominal diameter DN15. With thermostatic mixing device for connection to cold and hot water. Application in new construction building and renovation in commercial, semi-public and public sanitary facilities.

- Concealed shower final assembly kit with angular cover plate
- Concealed mounting, robust double lock, multi sealing system with drainage system for condensation
- Cover plate: stainless steel 1.4301, all visible surfaces made of brushed stainless steel. Support frame for cover plate
- Implementing functional elements and thermostat incl. EPDM sealing rings
- Multifunction tool for maintenance work
- Adaptive multifunctional water path CONGENIAL with manual TD plug installed for thermal disinfection
- Upgrade and retrofitting functions
- Water path: dezincification resistant forged brass, as a high-quality thermostatic mixer, thermostat handle: chromed brass
- Visible components made of solid chromed brass, with safety stop
- Choice of temperature setting range
- Integrated check valve in the bypass and check valve and strainer cartridges for water inlets
- Some of the functional parts can be dismantled during maintenance work without removing the valve body
- Mechanical operation of the shower function via on/off-handle

### Execution options:

#### Thermal disinfection (manual):

The thermal disinfection of a shower based on the adaptive multifunctional water path CONGENIAL with bypass solenoid valve can be executed with a manual TD plug installed in the bypass directly per shower.

#### Technical data:

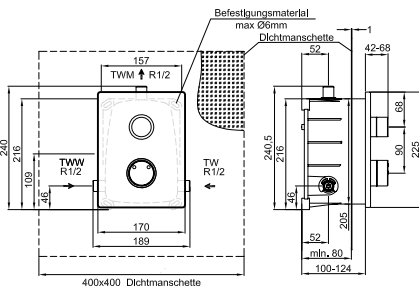
Operating pressure:	1,5-5,0 bar
Water temp. standard operation (max.):	70 °C
Water temp. thermal disinfection:	Short-term for therm. disinfection 80 °C
Water flow time setting range:	3-30 s
Water flow time factory setting:	30 s
Dimensions (WxHxD):	170x225x10 mm

#### Required accessories:

CONR2112 Raw-assembling set, shower head, hand shower set

#### Optional accessories:

CONO321000 Thermal disinfection (electronic) (precondition: with corresponding wiring / power supply unit and key switch) see chapter accessories



Version		Thermal disinfection (manual)	Article number
		•	<b>CONM2116216000</b>
			<b>CONM2116216020</b>
Shower heads	See chapter shower heads	CONHEAD jet shower head GOLF	<b>CONO010000</b>
		CONHEAD rain shower head RAIN2	<b>CONO020000</b>
		CONHEAD rain shower head SHORTY	<b>CONO030000</b>
		CONHEAD jet shower head VESUV	<b>CONO060000</b>
		CONHEAD jet shower head CTY	<b>CONO050000</b>
		CONHEAD hand shower set	<b>CONO040000</b>

# CONGENIAL FIT concealed shower, chromed, angular, on/off-handle, DN15



## CONGENIAL FIT concealed shower, chromed, angular, on/off-handle, DN15 - final assembly kit

Final assembly kit for mechanical shower device, designed as concealed shower in nominal diameter DN15. With thermostatic mixing device for connection to cold and hot water. Application in new construction building and renovation in commercial, semi-public and public sanitary facilities.

- Concealed shower final assembly kit with angular cover plate
- Concealed mounting, robust double lock, multi sealing system with drainage system for condensation
- Cover plate: stainless steel 1.4301, all visible surfaces made of chromed stainless steel. Support frame for cover plate
- Implementing functional elements and thermostat incl. EPDM sealing rings
- Multifunction tool for maintenance work
- Adaptive multifunctional water path CONGENIAL with manual TD plug installed for thermal disinfection
- Upgrade and retrofitting functions
- Water path: dezincification resistant forged brass, as a high-quality thermostatic mixer, thermostat handle: chromed brass
- Visible components made of solid chromed brass, with safety stop
- Choice of temperature setting range
- Integrated check valve in the bypass and check valve and strainer cartridges for water inlets
- Some of the functional parts can be dismantled during maintenance work without removing the valve body
- Mechanical operation of the shower function via on/off-handle

### Execution options:

#### Thermal disinfection (manual):

The thermal disinfection of a shower based on the adaptive multifunctional water path CONGENIAL with bypass solenoid valve can be executed with a manual TD plug installed in the bypass directly per shower.

#### Technical data:

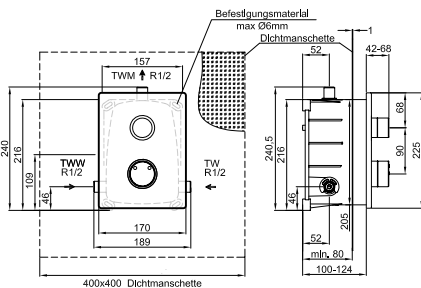
Operating pressure: 1,5-5,0 bar  
 Water temp. standard operation (max.): 70 °C  
 Water temp. thermal disinfection: Short-term for therm. disinfection 80 °C  
 Water flow time setting range: 3-30 s  
 Water flow time factory setting: 30 s  
 Dimensions (WxHxD): 170x225x10 mm

#### Required accessories:

CONR2112 Raw-assembling set, shower head, hand shower set

#### Optional accessories:

CONO321000 Thermal disinfection (electronic) (precondition: with corresponding wiring / power supply unit and key switch) see chapter accessories

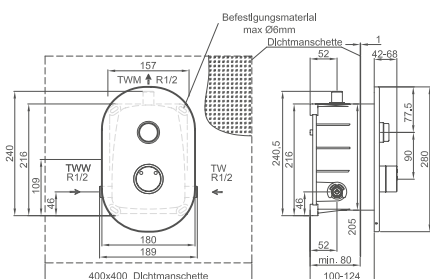


Version		Thermal disinfection (manual)	Article number
		•	<b>CONM2156216000</b>
			<b>CONM2156216020</b>
Shower heads	See chapter shower heads	CONHEAD jet shower head GOLF	<b>CONO010000</b>
		CONHEAD rain shower head RAIN2	<b>CONO020000</b>
		CONHEAD rain shower head SHORTY	<b>CONO030000</b>
		CONHEAD jet shower head VESUV	<b>CONO060000</b>
		CONHEAD jet shower head CTY	<b>CONO050000</b>
		CONHEAD hand shower set	<b>CONO040000</b>

Showers mechanical

# CONGENIAL FIT concealed shower, stainless steel, oval, water hydraulics, DN15

Showers  
mechanical



## CONGENIAL FIT concealed shower, stainless steel, oval, water hydraulics, DN15 - final assembly kit

Final assembly kit for mechanical shower device, designed as concealed shower in nominal diameter DN15. With thermostatic mixing device for connection to cold and hot water. Application in new construction building and renovation in commercial, semi-public and public sanitary facilities.

- Concealed shower final assembly kit with oval cover plate
- Concealed mounting, robust double lock, multi sealing system with drainage system for condensation
- Cover plate: stainless steel 1.4301, all visible surfaces made of brushed stainless steel, Support frame for cover plate
- Implementing functional elements and thermostat incl. EPDM sealing rings
- Multifunction tool for maintenance work
- Adaptive multifunctional water path CONGENIAL with manual TD plug installed for thermal disinfection
- Upgrade and retrofitting functions
- Water path: dezincification resistant forged brass, as a high-quality thermostatic mixer, thermostat handle: chromed brass
- Visible components made of solid chromed brass, with safety stop
- Choice of temperature setting range
- Integrated check valve in the bypass and check valve and strainer cartridges for water inlets
- Some of the functional parts can be dismantled during maintenance work without removing the valve body
- Mechanical operation of the shower function via water-hydraulic self-closing button
- The water flow time of the shower function can be adjusted in mechanical hydraulic showers by means of an adjustment screw in the hydraulics of each shower

### Execution options:

#### Thermal disinfection (manual):

The thermal disinfection of a shower based on the adaptive multifunctional water path CONGENIAL with bypass solenoid valve can be executed with a manual TD plug installed in the bypass directly per shower.

#### Technical data:

Operating pressure:	1,5-5,0 bar
Water temp. standard operation (max.):	70 °C
Water temp. thermal disinfection:	Short-term for therm. disinfection 80 °C
Flow rate DN15:	0,15 l/s
Water flow time setting range:	3-30 s
Water flow time factory setting:	30 s
Dimensions (WxHxD):	180x280x10 mm

#### Required accessories:

CONR2112 Raw-assembling set, shower head, hand shower set

#### Optional accessories:

CONO321000 Thermal disinfection (electronic) (precondition: with corresponding wiring / power supply unit and key switch) see chapter accessories

Version		Thermal disinfection (manual)	Adjustable water flow time	Article number
		•	•	<b>CONM2117214000</b>
		•	•	<b>CONM2117214020</b>
Shower heads	See chapter shower heads			<b>CONO010000</b>
				<b>CONO020000</b>
				<b>CONO030000</b>
				<b>CONO060000</b>
				<b>CONO050000</b>
				<b>CONO040000</b>



# CONGENIAL FIT concealed shower, chromed, oval, water hydraulics, DN15



## CONGENIAL FIT concealed shower, chromed, oval, water hydraulics, DN15 - final assembly kit

Final assembly kit for mechanical shower device, designed as concealed shower in nominal diameter DN15. With thermostatic mixing device for connection to cold and hot water. Application in new construction building and renovation in commercial, semi-public and public sanitary facilities.

- Concealed shower final assembly kit with oval cover plate
- Concealed mounting, robust double lock, multi sealing system with drainage system for condensation
- Cover plate: stainless steel 1.4301, all visible surfaces made of brushed stainless steel, Support frame for cover plate
- Implementing functional elements and thermostat incl. EPDM sealing rings
- Multifunction tool for maintenance work
- Adaptive multifunctional water path CONGENIAL with manual TD plug installed for thermal disinfection
- Upgrade and retrofitting functions
- Water path: dezincification resistant forged brass, as a high-quality thermostatic mixer, thermostat handle: chromed brass
- Visible components made of solid chromed brass, with safety stop
- Choice of temperature setting range
- Integrated check valve in the bypass and check valve and strainer cartridges for water inlets
- Some of the functional parts can be dismantled during maintenance work without removing the valve body
- Mechanical operation of the shower function via water-hydraulic self-closing button
- The water flow time of the shower function can be adjusted in mechanical hydraulic showers by means of an adjustment screw in the hydraulics of each shower

### Execution options:

#### Thermal disinfection (manual):

The thermal disinfection of a shower based on the adaptive multifunctional water path CONGENIAL with bypass solenoid valve can be executed with a manual TD plug installed in the bypass directly per shower.

#### Technical data:

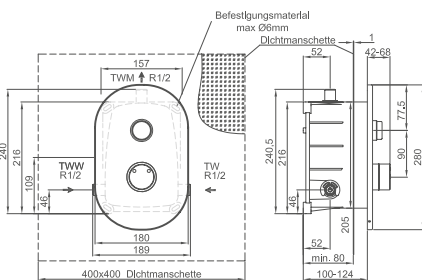
Operating pressure:	1,5-5,0 bar
Water temp. standard operation (max.):	70 °C
Water temp. thermal disinfection:	Short-term for therm. disinfection 80 °C
Flow rate DN15:	0,15 l/s
Water flow time setting range:	3-30 s
Water flow time factory setting:	30 s
Dimensions (WxHxD):	180x280x10 mm

#### Required accessories:

CONR2112 Raw-assembling set, shower head, hand shower set

#### Optional accessories:

CONO321000 Thermal disinfection (electronic) (precondition: with corresponding wiring / power supply unit and key switch) see chapter accessories



Version		Thermal disinfection (manual)	Adjustable water flow time	Article number
			•	<b>CONM2157214000</b>
		•	•	<b>CONM2157214020</b>
Shower heads	See chapter shower heads	CONHEAD jet shower head GOLF		<b>CONO010000</b>
		CONHEAD rain shower head RAIN2		<b>CONO020000</b>
		CONHEAD rain shower head SHORTY		<b>CONO030000</b>
		CONHEAD jet shower head VESUV		<b>CONO060000</b>
		CONHEAD jet shower head CTY		<b>CONO050000</b>
		CONHEAD hand shower set		<b>CONO040000</b>

# CONGENIAL FIT concealed shower, stainless steel, oval, on/off-handle, DN15

Showers  
mechanical



## CONGENIAL FIT concealed shower, stainless steel, oval, on/off-handle, DN15 - final assembly kit

Final assembly kit for mechanical shower device, designed as concealed shower in nominal diameter DN15. With thermostatic mixing device for connection to cold and hot water. Application in new construction building and renovation in commercial, semi-public and public sanitary facilities.

- Concealed shower final assembly kit with oval cover plate
- Concealed mounting, robust double lock, multi sealing system with drainage system for condensation
- Cover plate: stainless steel 1.4301, all visible surfaces made of brushed stainless steel, Support frame for cover plate
- Implementing functional elements and thermostat incl. EPDM sealing rings
- Multifunction tool for maintenance work
- Adaptive multifunctional water path CONGENIAL with manual TD plug installed for thermal disinfection
- Upgrade and retrofitting functions
- Water path: dezincification resistant forged brass, as a high-quality thermostatic mixer, thermostat handle: chromed brass
- Visible components made of solid chromed brass, with safety stop
- Choice of temperature setting range
- Integrated check valve in the bypass and check valve and strainer cartridges for water inlets
- Some of the functional parts can be dismantled during maintenance work without removing the valve body
- Mechanical operation of the shower function via on/off-handle

### Execution options:

#### Thermal disinfection (manual):

The thermal disinfection of a shower based on the adaptive multifunctional water path CONGENIAL with bypass solenoid valve can be executed with a manual TD plug installed in the bypass directly per shower.

#### Technical data:

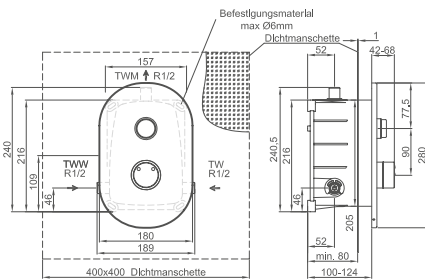
Operating pressure: 1,5-5,0 bar  
 Water temp. standard operation (max.): 70 °C  
 Water temp. thermal disinfection: Short-term for therm. disinfection 80 °C  
 Water flow time setting range: 3-30 s  
 Water flow time factory setting: 30 s  
 Dimensions (WxHxD): 180x280x10 mm

#### Required accessories:

CONR2112 Raw-assembling set, shower head, hand shower set

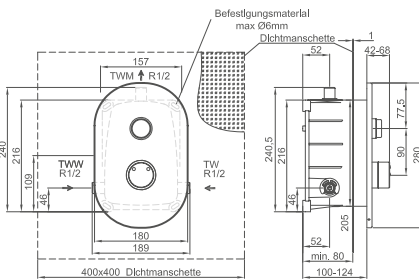
#### Optional accessories:

CONO321000 Thermal disinfection (electronic) (precondition: with corresponding wiring / power supply unit and key switch) see chapter accessories



Version		Thermal disinfection (manual)	Article number
		•	<b>CONM2117216000</b>
			<b>CONM2117216020</b>
Shower heads	See chapter shower heads	CONHEAD jet shower head GOLF	<b>CONO010000</b>
		CONHEAD rain shower head RAIN2	<b>CONO020000</b>
		CONHEAD rain shower head SHORTY	<b>CONO030000</b>
		CONHEAD jet shower head VESUV	<b>CONO060000</b>
		CONHEAD jet shower head CTY	<b>CONO050000</b>
		CONHEAD hand shower set	<b>CONO040000</b>

# CONGENIAL FIT concealed shower, chromed, oval, on/off-handle, DN15



## CONGENIAL FIT concealed shower, chromed, oval, on/off-handle, DN15 - final assembly kit

Final assembly kit for mechanical shower device, designed as concealed shower in nominal diameter DN15. With thermostatic mixing device for connection to cold and hot water. Application in new construction building and renovation in commercial, semi-public and public sanitary facilities.

- Concealed shower final assembly kit with oval cover plate
- Concealed mounting, robust double lock, multi sealing system with drainage system for condensation
- Cover plate: stainless steel 1.4301, all visible surfaces made of chromed stainless steel, Support frame for cover plate
- Implementing functional elements and thermostat incl. EPDM sealing rings
- Multifunction tool for maintenance work
- Adaptive multifunctional water path CONGENIAL with manual TD plug installed for thermal disinfection
- Upgrade and retrofitting functions
- Water path: dezincification resistant forged brass, as a high-quality thermostatic mixer, thermostat handle: chromed brass
- Visible components made of solid chromed brass, with safety stop
- Choice of temperature setting range
- Integrated check valve in the bypass and check valve and strainer cartridges for water inlets
- Some of the functional parts can be dismantled during maintenance work without removing the valve body
- Mechanical operation of the shower function via on/off-handle

### Execution options:

#### Thermal disinfection (manual):

The thermal disinfection of a shower based on the adaptive multifunctional water path CONGENIAL with bypass solenoid valve can be executed with a manual TD plug installed in the bypass directly per shower.

#### Technical data:

Operating pressure: 1,5-5,0 bar  
 Water temp. standard operation (max.): 70 °C  
 Water temp. thermal disinfection: Short-term for therm. disinfection 80 °C  
 Water flow time setting range: 3-30 s  
 Water flow time factory setting: 30 s  
 Dimensions (WxHxD): 180x280x10 mm

#### Required accessories:

CONR2112 Raw-assembling set, shower head, hand shower set

#### Optional accessories:

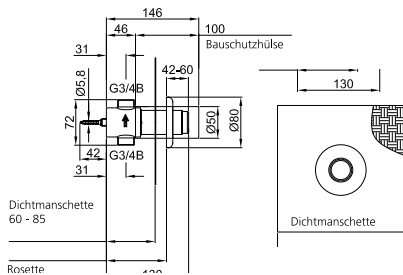
CONO321000 Thermal disinfection (electronic) (precondition: with corresponding wiring / power supply unit and key switch) see chapter accessories

Version		Thermal disinfection (manual)	Article number
			<b>CONM2157216000</b>
		•	<b>CONM2157216020</b>
Shower heads	See chapter shower heads	CONHEAD jet shower head GOLF	<b>CONO010000</b>
		CONHEAD rain shower head RAIN2	<b>CONO020000</b>
		CONHEAD rain shower head SHORTY	<b>CONO030000</b>
		CONHEAD jet shower head VESUV	<b>CONO060000</b>
		CONHEAD jet shower head CTY	<b>CONO050000</b>
		CONHEAD hand shower set	<b>CONO040000</b>

Showers mechanical

# CONBASE MINI concealed shower, stainless steel, round, water hydraulics

Showers  
mechanical



## CONBASE MINI concealed shower, stainless steel, round, water hydraulics - final assembly kit

Final assembly kit for mechanical shower, device designed as concealed shower in nominal diameter DN15 and DN20. With thermostatic mixing device for connection to cold and hot water. Application in new construction building and renovation in commercial, semi-public and public sanitary facilities.

- Concealed shower final assembly kit round push-on rosette
- Hydraulic self-closing valve
- Actuating button and push-on rosette made of brass, chromed
- Mechanical operation of the shower function via water-hydraulic self-closing button
- The water flow time of the shower function can be adjusted in mechanical hydraulic showers by means of an adjustment screw in the hydraulics of each shower

### Technical data:

Operating pressure:	1,5-5,0 bar
Water temp. standard operation (max.):	70 °C
Flow rate DN15:	0,15 l/s to 0,35 l/s (3 bar)
Calculation flow:	1,0 l/s
Water flow time setting range:	7-15 (+/-5) s
Dimension (ØxD):	80x10 mm

### Required accessories:

CONR4111 raw-assembling set, shower head, hand shower set

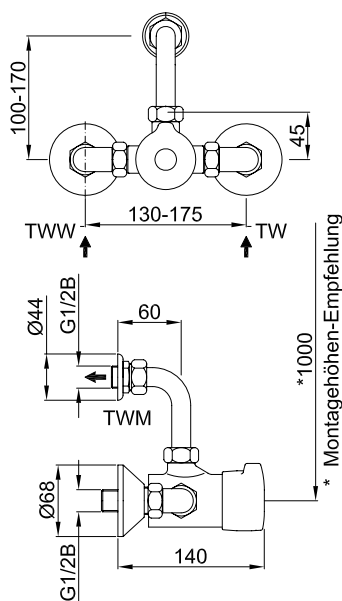
Version		Nominal diameter DN15	Nominal diameter DN20	Adjustable water flow time	Article number
		•		•	<b>CONM2150174000</b>
			•	•	<b>CONM2150184000</b>
Shower heads	See chapter shower heads	CONHEAD jet shower head GOLF			<b>CONO010000</b>
		CONHEAD rain shower head RAIN2			<b>CONO020000</b>
		CONHEAD rain shower head SHORTY			<b>CONO030000</b>
		CONHEAD jet shower head VESUV			<b>CONO060000</b>
		CONHEAD jet shower head CTY			<b>CONO050000</b>
		CONHEAD hand shower set			<b>CONO040000</b>

CONTI 



# CONPRO exposed shower, chromed, water hydraulics, DN15

Showers  
mechanical



## CONPRO exposed shower, chromed, water hydraulics, DN15

For wall mounting, for connection to cold or hot water

- Single-lever self-closing mixer, solid metal version, brass body and operating element
- Hydraulic control, cartridge technology, self-cleaning system, integrated check valve (DVGW certified), hot water supply limiter, selectable water flow time, continuously adjustable flow rate
- All water-bearing components are made of hygienic material in accordance with the requirements of drinking water ordinance [Germany]
- Chrome plated filter seals
- Wall mounting kit with shut-off S-connectors, angled fittings, chromed
- With outlet facing upwards
- With temperature mixing

### Base functions:

Water flow time: 30 s factory settings acc. to DIN EN 816 (20, 25 s)

### Technical data:

Operating pressure: 1,5-5,0 bar  
 Water temperature (max.): 60 °C (short-term up to 75 °C for thermal disinfection)  
 Flow rate: 0,15-0,35 l/s adjustable (3 bar flow pressure)  
 Calculated flow rate: 0,15 l/s  
 Connection bore hole gauge: access 130-175 mm, G 1/2 B  
 Outlet on top: G 1/2 B

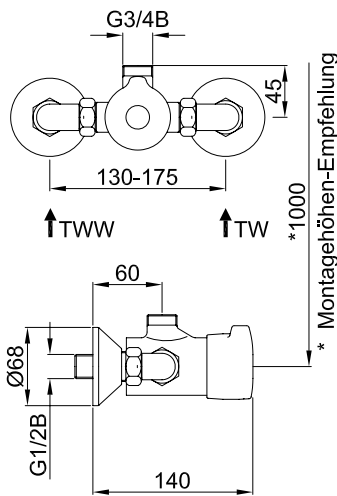
### Required accessories:

Shower head DN15

Description	Outlet	Article number
CONPRO exposed shower	With bent outlet	<b>CONM4159414000</b>

## CONPRO exposed shower, chromed, water hydraulics, DN15

Showers  
mechanical



### CONPRO exposed shower, chromed, water hydraulics, DN15

For wall mounting, for connection to cold or hot water

Consisting of:

- Single-lever self-closing mixer, solid metal version, brass body and operating element
- Hydraulic control, cartridge technology, self-cleaning system, integrated check valve (DVGW certified), hot water supply limiter, selectable water flow time, continuously adjustable flow rate
- All water-bearing components are made of hygienic material in accordance with the requirements of drinking water ordinance [Germany]
- Chrome plated filter seals
- Wall mounting kit with shut-off S-connectors, angled fittings, chromed
- With outlet facing upwards
- With temperature mixing

**Base functions:**

Water flow time: 30 s factory settings acc. to DIN EN 816 (20, 25 s)

**Technical data:**

Operating pressure: 1,5-5,0 bar  
 Water temperature (max.): 60 °C (short-term up to 75 °C for thermal disinfection)  
 Flow rate: 0,15-0,35 l/s adjustable (3 bar flow pressure)  
 Calculated flow rate: 0,15 l/s  
 Connection bore hole gauge: access 130-175 mm, G1/2B  
 Outlet on top: G 3/4 B

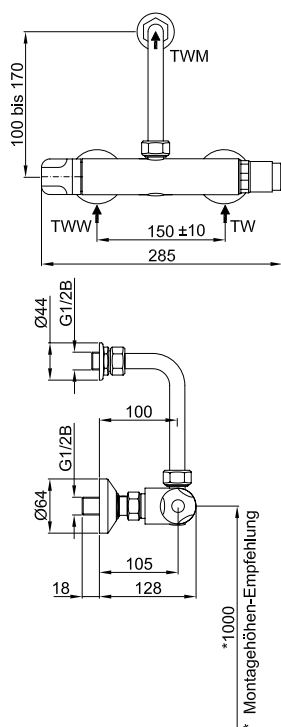
**Required accessories:**

CONO010060 Shower head kit CONHEAD GOLF, wall distance 60 mm, DN15  
 CONO020060 Shower head kit CONHEAD RAIN 2, wall distance 60 mm, DN15  
 Shower head DN15

Description	Outlet	Article number
CONPRO exposed shower	Without bent outlet	<b>CONM4150414000</b>

# CONPRO exposed shower, chromed, water hydraulics, DN15

Showers  
mechanical



## CONPRO exposed shower, chromed, water hydraulics, DN15

For wall mounting, for connection to cold or premixed water, scalding protection, intrinsically safe

Consisting of

- With integral self-closing valve, solid metal version, brass body and operating element
- Hydraulic control, cartridge technology, temperature setting range 10-50 °C, temperature selector with safety lock and fixed end stop, with integral check valves and stainless steel sieves, adjustable flow rate and set water flow time
- All water-bearing components are made of hygienic material in accordance with the requirements of drinking water ordinance [Germany]
- Wall mounting kit with shut-off S connectors, angled fittings, and outlet bend for trimming to size, chromed
- Thermostat with scalding protection, intrinsically safe
- With outlet facing upwards

### Base functions:

Water flow time: 30 s factory settings acc. to DIN EN 816

### Technical data:

Operating pressure: 1,5-5,0 bar  
 Water temperature (max.): 60 °C (short-term up to 75 °C for thermal disinfection)  
 Flow rate: 0,37 l/s adjustable (3 bar flow pressure)  
 Calculated flow rate: 0,15 l/s  
 Connection bore hole gauge: access 140-160 mm  
 Connection bore hole gauge: outlet 100-170 mm  
 Connection: G 1/2 B

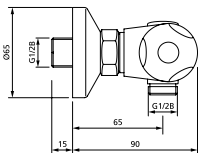
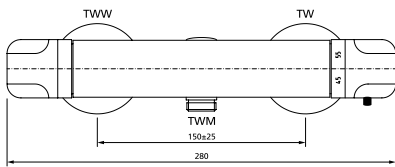
### Required accessories:

Shower head

Description	Outlet	Article number
CONPRO exposed shower	With bent outlet	<b>CONM4159214000</b>



## CONPRO exposed shower, chromed, on/off-handle, DN15



### CONPRO exposed shower, chromed, on/off-handle, DN15

For wall mounting, for connection to hot and cold water

Consisting of:

- Thermostatic mixer, solid metal version, red brass body, temperature setting range 10-50 °C, integral check valve and stainless steel sieves
- All water-bearing components are made of hygienic material in accordance with the requirements of drinking water ordinance [Germany]
- Safety lock with fixed end stop (with override for manual thermal disinfection) and scalding protection in case of cold water failure, manual thermal disinfection possible, integral stop valve with ceramic head, exchangeable mixed water outlet at the bottom/top, chromed
- One set S connections with rosettes, chromed
- Without bent outlet

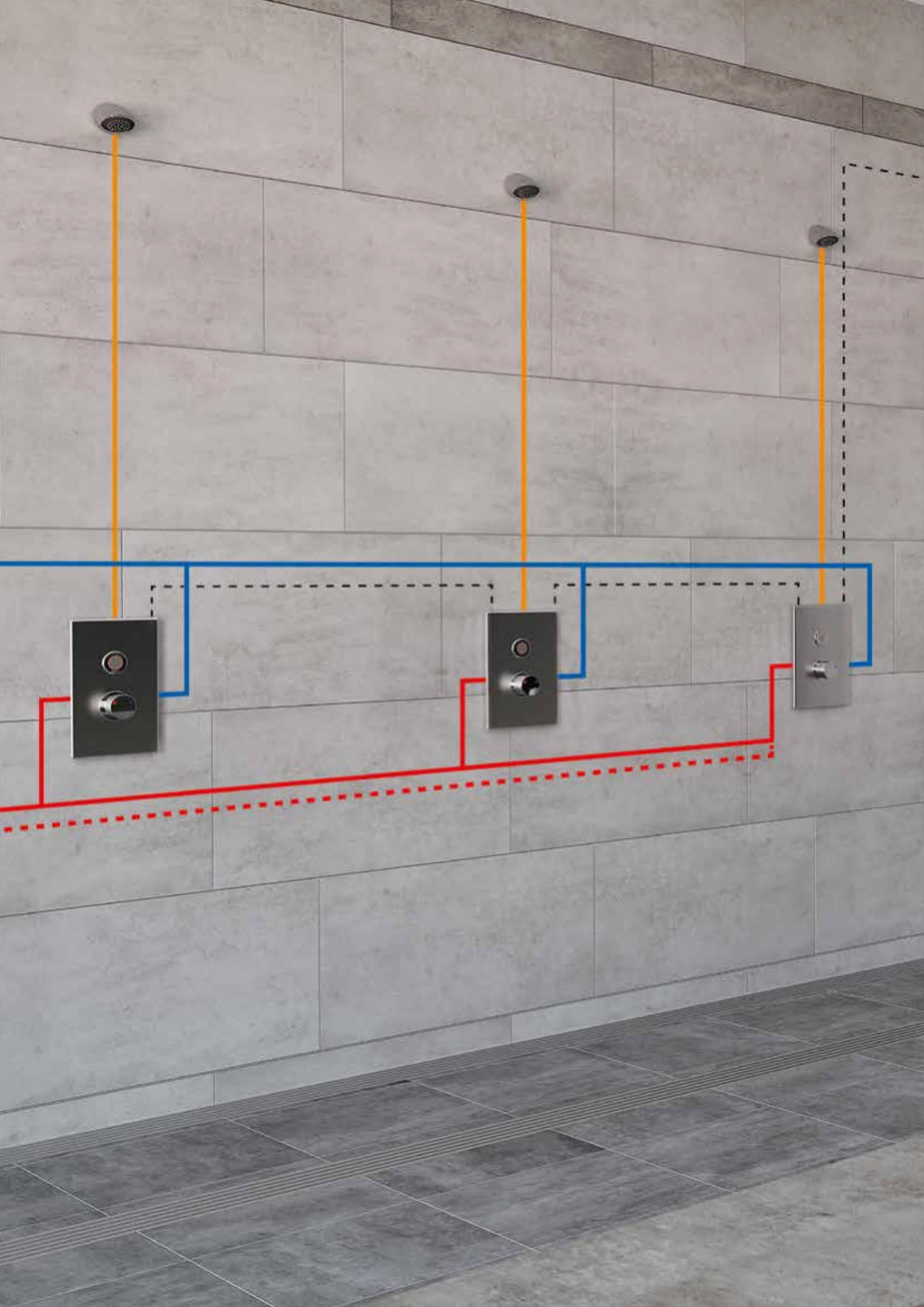
#### Technical data:

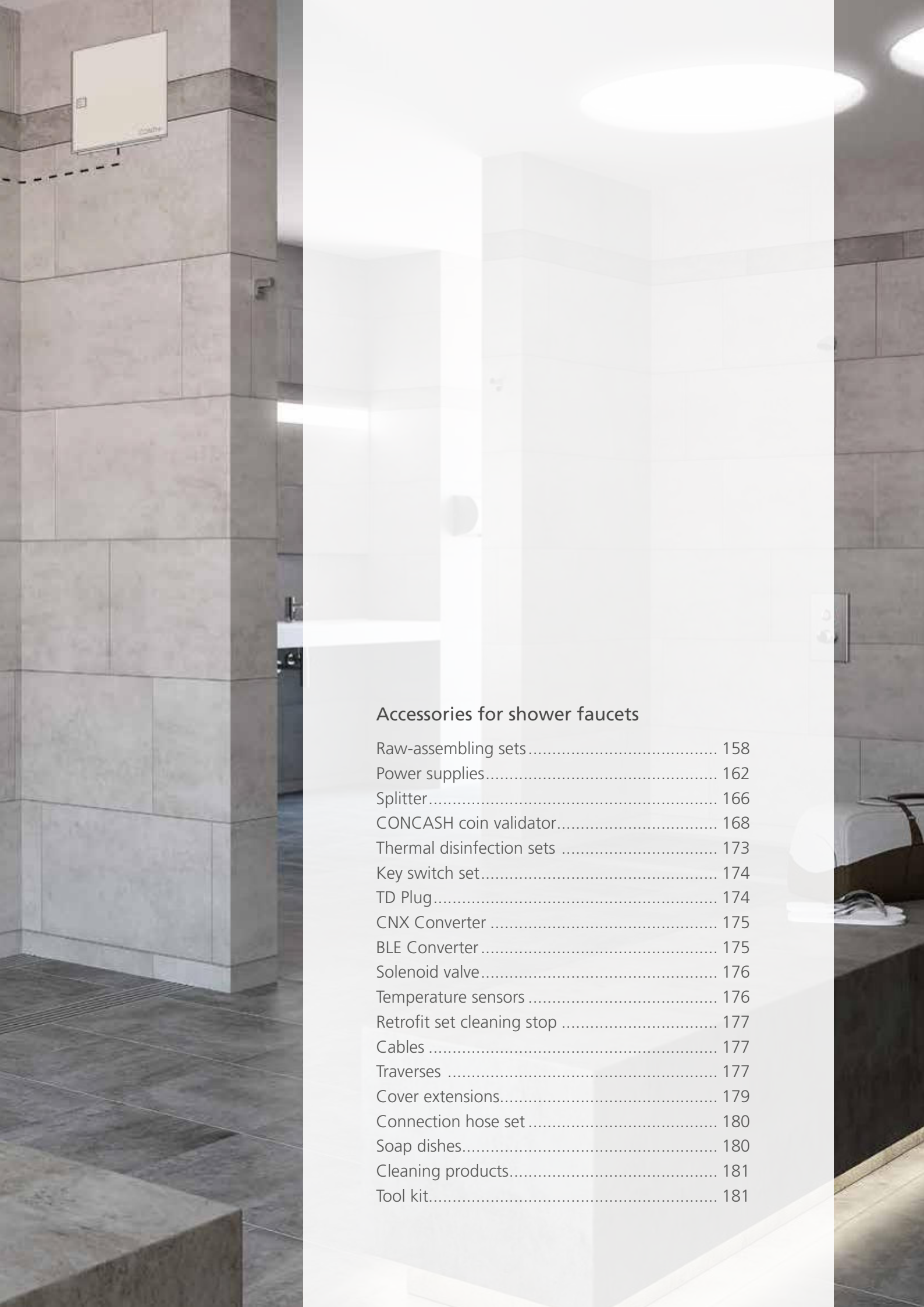
Flow rate: 0,25 l/s (3 bar flow pressure)  
 Operating pressure (max.): 6,0 bar  
 Water temperature (max.): 70 °C (Shortly up to 80 °C for thermal disinfection)  
 Connection: G 1/2 B

#### Required accessories:

Hand shower set

Description	Outlet	Article number
CONPRO exposed shower	Without bent outlet	<b>CONM4150216000</b>






### Accessories for shower faucets

Raw-assembling sets.....	158
Power supplies.....	162
Splitter.....	166
CONCASH coin validator.....	168
Thermal disinfection sets .....	173
Key switch set.....	174
TD Plug.....	174
CNX Converter .....	175
BLE Converter .....	175
Solenoid valve.....	176
Temperature sensors .....	176
Retrofit set cleaning stop .....	177
Cables .....	177
Traverses .....	177
Cover extensions.....	179
Connection hose set .....	180
Soap dishes.....	180
Cleaning products.....	181
Tool kit.....	181


## CONBOX raw-assembling set for concealed shower, DN15

	<p>CONBOX raw-assembling set for concealed shower, thermostat, DN15</p> <p>Raw-assembling set for mechanical and electronic shower equipment based on the adaptive multifunctional water path CONGENIAL with thermostat, designed as flush-mounted shower in nominal width DN15. Application area in new construction and renovation in public, semi-public and commercial sanitary facilities.</p> <p>Consisting of:</p> <ul style="list-style-type: none"> <li>• Concealed shower box CONBOX</li> <li>• Recessed enclosure: ABS, dimensions (WxHxD minimum): 232x272x96 mm, self-supporting</li> <li>• Fastener brackets for mounting material with max. diameter 8 mm</li> <li>• Wall outlet diameter 230 mm can be cut to length of tile front edge, condensate drain slope</li> <li>• Sealed and sound-insulated brass entrances and exits, inlet with shut-off valves R 1/2</li> <li>• Detachable connecting coupling for exchange the flushing piece on the water path</li> <li>• Mounting depth with final assembly set: 96-110 mm</li> <li>• Flushing piece: ABS, waterless and hygienically, tested for leakage</li> <li>• Protective plug: EPS, dimension (ØxD) 226x40 mm</li> <li>• Gasket ring: PE, dimensions (WxH) 450x450 mm, with expansion zone</li> <li>• Connection to cold and hot water</li> </ul>		
Description	Connection	Nominal width	Article number
CONBOX raw-assembling set for concealed shower, thermostat	R 1/2	DN15	<b>CONR0112</b>


## CONBOX FLANGE raw-assembling sets for concealed shower, DN15

	<p>CONBOX FLANGE raw-assembling set for concealed shower, thermostat, DN15 with bonding flange</p> <p>Raw-assembling set for mechanical and electronic shower equipment based on the adaptive multifunctional water path CONGENIAL with thermostat, designed as flush-mounted shower in nominal width DN15. Application area in new construction and renovation in public, semi-public and commercial sanitary facilities.</p> <p>Consisting of:</p> <ul style="list-style-type: none"> <li>• Concealed shower box with bonding flange CONBOX FLANGE</li> <li>• Recessed enclosure: ABS, dimensions (WxHxD minimum): 272x232x96 mm, self-supporting</li> <li>• Fastener brackets for mounting material with max. diameter 8 mm</li> <li>• Wall outlet diameter 230 mm can be cut to length of tile front edge, condensate drain slope</li> <li>• Sealed and sound-insulated brass entrances and exits, inlet with shut-off valves R 1/2</li> <li>• Detachable connecting coupling for exchange the flushing piece on the water path</li> <li>• Mounting depth with final assembly set: 96-110 mm</li> <li>• Flushing piece: ABS, waterless and hygienically tested for leakage</li> <li>• Protective plug: EPS, dimension (ØxD) 226x40 mm</li> <li>• Bonding flange made of ABS, (ØxD) 430x12 mm</li> <li>• Connection to cold and hot water</li> </ul>		
Description	Connection	Nominal width	Article number
CONBOX FLANGE raw-assembling set for concealed shower with bonding flange, thermostat	R 1/2	DN15	<b>CONR1112</b>


## CONBOX raw-assembling set for concealed shower, DN15

	<p><b>CONBOX raw-assembling set for concealed shower, DN15</b></p> <p>Raw-assembling set for mechanical and electronic shower equipment, designed as flush-mounted shower without thermostat in nominal width DN15. Application area in new construction and renovation in public, semi-public and commercial sanitary facilities.</p> <p>Consisting of:</p> <ul style="list-style-type: none"> <li>• Concealed shower box CONBOX</li> <li>• Recessed enclosure: ABS, dimensions (WxHxD minimum) 232x9272x6 mm, self-supporting</li> <li>• Fastener brackets for mounting material with max. diameter 8 mm</li> <li>• Wall outlet diameter 230 mm can be cut to length of tile front edge, condensate drain slope</li> <li>• Sealed and sound-insulated brass entrances and exits</li> <li>• Inlet with shut-off valves R 1/2</li> <li>• Mounting depth with final assembly set: 96-110 mm</li> <li>• Flushing piece: ABS, waterless and hygienically, tested for leakage</li> <li>• Protective plug: EPS, dimension (ØxD) 226x40 mm</li> <li>• Gasket ring: PE, dimensions (WxH) 450x450 mm, with expansion zone</li> <li>• Connection to cold and hot water</li> </ul>		
	Description	Connection	Nominal width
CONBOX raw-assembling set for concealed shower, without thermostat	R 1/2	DN15	<b>CONR0111</b>

## CONBOX FIT raw-assembling set for concealed shower, DN15

	<p><b>CONBOX FIT raw-assembling set for concealed shower, thermostat, DN15</b></p> <p>Raw-assembling set for mechanical and electronic shower equipment based on the adaptive multifunctional water path CONGENIAL FIT with thermostat, designed as flush-mounted shower in nominal width DN15. Application area in new construction and renovation in public, semi-public and commercial sanitary facilities.</p> <p>Consisting of:</p> <ul style="list-style-type: none"> <li>• Concealed shower box CONBOX FIT</li> <li>• Recessed enclosure: ABS, dimensions (WxHxD minimum): 157x216x127 mm, self-supporting</li> <li>• Fastener brackets for mounting material with max. diameter 6 mm</li> <li>• Condensate drain slope, sealed and sound-insulated brass entrances and exits</li> <li>• Inlet with shut-off valves R 1/2</li> <li>• Detachable connecting coupling for exchange the flushing piece on the water path</li> <li>• Mounting depth with final assembly set: 85-112 mm</li> <li>• Flushing piece: ABS, waterless and hygienically, tested for leakage</li> <li>• Protective plug: cardboard</li> <li>• Gasket ring: PE, dimensions (WxH) 400x400 mm, with expansion zone</li> <li>• Connection to cold and hot water</li> </ul>		
	Description	Connection	Nominal width
CONBOX FIT raw-assembling set for concealed shower, thermostat	R 1/2	DN15	<b>CONR2112</b>

## CONBOX SLIM raw-assembling set for concealed shower/ceiling shower, DN15

	<p>CONBOX SLIM raw-assembling set for concealed shower/ceiling shower, DN15</p> <p>Raw-assembling set for electronic shower equipment, without thermostat as concealed shower in nominal width DN15. Application area in new construction and renovation in public, semi-public and commercial sanitary facilities.</p> <p>Consisting of:</p> <ul style="list-style-type: none"> <li>• Concealed shower box CONBOX SLIM</li> <li>• Recessed enclosure: PP, dimensions (ØxD) 85x58 mm</li> <li>• Wall outlet diameter 80 mm can be cut to length of tile front edge</li> <li>• Bonding flange: PP dimensions (ØxD) 150x12,5 mm</li> <li>• Protective plug: EPS, dimension (ØxD) 78x20 mm</li> <li>• Water path: brass</li> <li>• Ball valve for shut-off, flushing piece, connection R 1/2</li> <li>• Extension cable piezo switch: 3 m, 2-pin connector on both sides, protection IP68</li> <li>• Connection to cold or premixed water</li> </ul>		
Description	Connection	Nominal width	Article number
CONBOX SLIM raw-assembling set for concealed shower/ceiling shower, DN15	R 1/2	DN15	<b>CONR3111</b>

## CONBOX SLIM raw-assembling set for concealed shower/ceiling shower, DN20

	<p>CONBOX SLIM raw-assembling set for concealed shower/ceiling shower, DN20</p> <p>Raw-assembling set for electronic shower equipment, without thermostat as concealed shower in nominal width DN20. Application area in new construction and renovation in public, semi-public and commercial sanitary facilities.</p> <p>Consisting of:</p> <ul style="list-style-type: none"> <li>• Concealed shower box CONBOX SLIM</li> <li>• Recessed enclosure: PP, dimensions (ØxD) 85x58 mm</li> <li>• Wall outlet diameter 80 mm can be cut to length of tile front edge</li> <li>• Bonding flange: PP dimensions (ØxD) 150x12,5 mm</li> <li>• Protective plug: EPS, dimension (ØxD) 78x20 mm</li> <li>• Water path: brass</li> <li>• Ball valve for shut-off, flushing piece, connection R 3/4</li> <li>• Extension cable piezo switch: 3 m, 2-pin connector on both sides, protection IP68</li> <li>• Connection to cold or premixed water</li> </ul>		
Description	Connection	Nominal width	Article number
CONBOX SLIM raw-assembling set for concealed shower/ceiling shower, DN15	R 3/4	DN20	<b>CONR3121</b>

## CONBOX MINI raw-assembling set for concealed shower, DN15/DN20

	<p><b>CONBOX MINI raw-assembling set for concealed shower, DN15/DN20</b></p> <p>Raw-assembling set for electronic shower equipment, without thermostat as concealed shower in nominal width DN15/DN20. Application area in new construction and renovation in public, semi-public and commercial sanitary facilities.</p> <p>Consisting of:</p> <ul style="list-style-type: none"> <li>• Concealed shower box CONBOX MINI</li> <li>• Recessed enclosure: brass for water hydraulics, with protective sleeve and flushing piece: ABS</li> <li>• Gasket ring: PE, dimensions (WxH) 200x200 mm, with expansion zone</li> <li>• Connection to cold or premixed water</li> </ul>	
Description	Nominal width	Article number
CONBOX MINI raw-assembling set for concealed shower	DN15/DN20	<b>CONR4111</b>

## Power supply



## Switching power supply unit 12 V/DC / 4,5 A, for DIN rail mounting

Power supply for a maximum of 20 pieces electronic concealed showers or shower panels with and without thermostat, or for maximum of 10 pieces of mechanical concealed showers or shower panels with electrical thermal disinfection.

No pre-arrangement option for key switch usage.

The electrical wiring may only be carried out by an electrician.

Operating voltage:	230 V/AC
Output voltage:	12 V ± 1% DC
Output current:	0-4,5 A
Output power:	54 W
Protection class:	II
Dimensions (WxHxD):	80x72x56 mm

Description	Version	Article number
Switched power supply unit 12 V/DC /4,5 A for DIN rail mounting	Rail mounting	<b>CONO511000</b>



## Switched power supply unit, 24 V/DC / 1,5 A, for DIN rail mounting

Power supply for a maximum of 6 pieces electronic concealed shower faucets or shower panels, short-circuit-proof. No pre-arrangement option for key switch usage.

The electrical wiring may only be carried out by an electrician.

Operating voltage:	230 V/AC
Output voltage:	24 V ± 1% DC
Output current:	0-1,5 A
Output power:	36 W
Protection class:	II
Dimensions (WxHxD):	93x78x56 mm

Description	Version	Article number
Switched power supply unit, 24 V/DC / 1,5 A	Rail mounting	<b>CONO581000</b>



## Power supply



### Power supply 12 V/DC, in installation box

For power supply of max. 20 electronic showers of the CONGENIAL and CONSMART series. Wall switchboards for wall construction, fully wired, connection via fitted 2 m connection line with safety plug. Pre-arrangement for key switch usage of thermal disinfection or external hygiene flush included.

The electrical wiring may only be carried out by an electrician.

Operating voltage: 230 V/AC  
 Output voltage: 12 V ±1% DC  
 Output current: 0-4,5 A  
 Output power: 54 W  
 Protection class: II  
 IP protection: IP65  
 Dimensions (WxHxD): 200x125x122 mm

Description	Version	Article number
Power supply 12 V/DC	Installation box, surface-mounted	<b>CONO512000</b>



### Power supply 12 V/DC, in installation box

For power supply of max. 20 electronic showers of the CONGENIAL serie. Wall switchboards for wall construction, fully wired, connection via fitted 2 m connection line with safety plug. Pre-arrangement for key switch usage of thermal disinfection or external hygiene flush included.

The electrical wiring may only be carried out by an electrician.

Operating voltage: 230 V/AC  
 Output voltage: 12 V ±1% DC  
 Output current: 0-4,5 A  
 Output power: 54 W  
 Protection class: II  
 IP protection: IP65  
 Dimensions (WxHxD): 200x125x122 mm

Description	Version	Article number
Power supply 12 V/DC	Installation box, surface-mounted	<b>CONO510000</b>

## Power supply



## Power supply 24 V/DC, in installation box

For power supply of max. 10 electronic showers of the CONPRIMUS serie. Wall switchboards for wall construction, fully wired, connection via fitted 2 m connection line with safety plug.

The electrical wiring may only be carried out by an electrician.

Operating voltage:	230 V/AC
Output voltage:	12 V $\pm$ 1% DC
Output current:	0-4,5 A
Output power:	54 W
Protection class:	II
IP protection:	IP65
Dimensions (WxHxD):	125x200x122 mm

Description	Version	Article number
Power supply 24 V/DC	Installation box, surface-mounted	<b>CONO513000</b>

## Central power supply units for multiple faucet installations



## Concealed central mains power supply, for up to 30 units

Suitable for

- All lavatory faucets with VARIOconnect in multiple installations for up to 30 units (except lumino L10i and L10c)
- Urinal flush valves with VARIOconnect (U10, U18, U28) up to 30 units
- Multiple installation bypass for lino flush-mounted showers up to 30 units
- Exclusively for use with flush-mounted splitter 550.042.00 or 550.43.00 or 550.044.00



Consisting of:

- Concealed mains power supply 110-240 V /12 V
- With white cover
- Installation cable 3000 mm with plug connector for faucets/flush valves





Description	Device quantity	Voltages	Article number
Concealed central mains power supply, with flush-mounted outlet	up to 30 units	110-240 V /12 V	<b>550.041.00</b>



## Central power supply unit for multiple faucet installations

 	<p>Concealed central mains power supply, for up to 12 units</p> <p>Suitable for:</p> <ul style="list-style-type: none"> <li>All lavatory faucets with VARIOconnect in multiple installations up to 12 units (except lumino L10i and L10c)</li> <li>Shower panel CONPRIMUS, lavatory faucet lino PRIMUS Stand L40 (single installation)</li> <li>Urinal flush valves with VARIOconnect (U10, U18, U28) up to 12 units</li> <li>Multiple installation bypass for lino flush-mounted shower faucets up to 12 units</li> <li>Exclusively for use with flush-mounted splitters 550.042.00 or 550.43.00 or 550.044.00 (exception CONPRIMUS)</li> </ul> <p>Consisting of:</p> <ul style="list-style-type: none"> <li>Concealed mains power supply 110-240 V / 12 V</li> <li>Concealed installation box with white cover</li> <li>Installation cable 3000 mm with plug connector for faucets/flush valves</li> </ul>		
	Description	Device quantity	Voltage
Concealed central mains power supply, with flush-mounted outlet	up to 12 units	110-240 V / 12 V	<b>550.045.00</b>

## Concealed power supply unit for single installation

 	<p>Concealed power supply unit for single installation</p> <p>Suitable for:</p> <ul style="list-style-type: none"> <li>Concealed lino shower faucets DV35 / DV30</li> <li>Wall-mounted lavatory faucets WV10 / WV20 / GW20 with VARIOconnect</li> <li>Single installation bypass for lino flush-mounted shower faucets DV35 / DV30B with VARIOconnect</li> </ul> <p>Consisting of:</p> <ul style="list-style-type: none"> <li>Concealed mains power supply 110-240 V / 12 V</li> <li>Concealed installation box with white cover</li> <li>Installation cable 3000 mm with plug connector for faucets</li> </ul>		
	Description	Installation type	Voltage
Concealed power supply unit with flush-mounted outlet	for single installation	110-240 V / 12 V	<b>550.026.00</b>

## Splitter for multiple installations with VARIOconnect

 	<p>Concealed splitter set for multiple installations with surface-mounted outlet</p> <ul style="list-style-type: none"> <li>Exclusively for use with the flush-mounted central power supply units for multiple installations (550.041.00 or 550.045.00)</li> <li>Not compatible with lumino L10i and L10c</li> <li>One splitter set required per connected unit and bypass solenoid valve</li> </ul> <p>Consisting of:</p> <ul style="list-style-type: none"> <li>Concealed box with white cover and cable grommet</li> <li>Splitter for voltage range 12 VAC/VDC - 28 VAC/VDC</li> <li>3 Terminals (1x input, 1x output looped, 1x 6V output)</li> <li>Installation cable 850 mm routed through the cover, with plug-in connector for faucets</li> </ul>	
	Description	Installation type
Concealed splitter set for multiple installations with surface-mounted outlet	For multiple installations	<b>550.043.00</b>

## Splitter for multiple installations of units with VARIOconnect



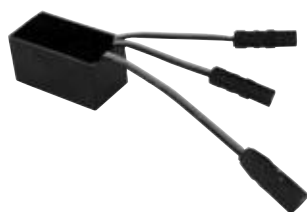
### Concealed splitter set with flush-mounted outlet for multiple installations

- Exclusively for use with the flush-mounted central power supply units for multiple installations (550.041.00 or 550.045.00) with VARIOconnect
- Not compatible with lumino L10i and L10c
- One splitter set is required for each connected unit and bypass solenoid valve

#### Consisting of:

- Concealed box with white cover
- Splitter for voltage range 12 VAC/VDC - 28 VAC/VDC
- 3 Terminals (1x input, 1x output looped, 1x 6 V output)
- Installation cable 3000 mm with plug-in connector for faucets/flush valves

Description	Installation type	Article number
Concealed splitter set with flush-mounted outlet	For multiple installations	<b>550.042.00</b>



### Concealed splitter for multiple installations

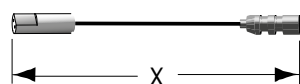
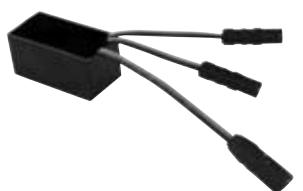
#### Suitable for:

- All lavatory faucets (except lumino L10i and L10c), flush-mounted shower faucets and urinal flush valves U10, U18, U28 with VARIOconnect
- Exclusively for use with flush-mounted central power supply units for multiple installations (550.041.00 or 550.045.00)
- One splitter set required per connected faucet/urinal flush valve and bypass solenoid valve

#### Consisting of:

- Splitter for voltage range 12 VAC/VDC - 28 VAC/VDC
- 3 Terminals (60 mm)

Description	Installation type	Article number
Concealed splitter set	for multiple installations	<b>550.044.00</b>



### Concealed splitter for multiple installations

#### Suitable for:

- All lavatory faucets (except lumino L10i and L10c), flush-mounted shower faucets and urinal flush valves U10, U18, U28 with VARIOconnect
- Exclusively for use with flush-mounted central power supply units for multiple installations (550.041.00 or 550.045.00)
- One splitter set required per connected faucet/urinal flush valve and bypass solenoid valve

#### Consisting of:

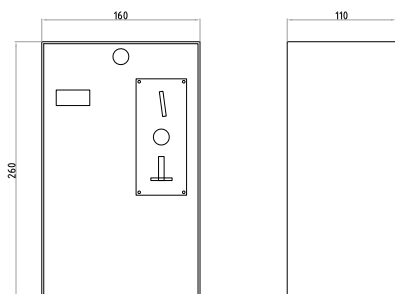
- Splitter for voltage range 12 VAC/VDC - 28 VAC/VDC
- 3 Terminals (60 mm)
- Installation cable with length (x) and plug-in connector for faucets

Description	Installation type	Length (x)	Article number
Concealed splitter set	for multiple installation	1200 mm	<b>550.044.12</b>
	for multiple installation	3200 mm	<b>550.044.32</b>

CONTI 



## Coin validator CONCASH 2.0, 1 shower, 1 coin type



Coin validator for a shower enclosure with CONCASH 2.0 showers, paid water release via a coin type

Suitable for use in outdoor and wet areas, stainless steel housing, splash-proof electronics and connection via safety extra-low voltage.

Consisting of:

- LED display: 3-digit, red, with display of remaining showering time
- Usage-dependent automatic hygienic flush, flushing interval and hygienic flush duration adjustable via display
- Setting the minimum insertion
- Price and time selection via display

Operating voltage: 24 V/DC  
 Operating temperature: 0-40 °C  
 Operating humidity: 30-70 %  
 Dimensions (WxHxD): 160x260x110 mm  
 Weight: 3,5 kg

**Required accessories:** CONO511000 Central mains power supply

**Note:** Please specify type of coins when ordering!

Description	Number of showers	Version	Article number
Coin validator 1 shower	1	1 coin type	<b>CONO138100</b>

## Coin validator CONCASH 2.0, 1 shower, coins/tokens



Coin validator for a shower enclosure with CONCASH 2.0 showers, paid water release on several types of coins and tokens

Suitable for use in outdoor and wet areas, stainless steel housing, splash-proof electronics and connection via safety extra-low voltage.

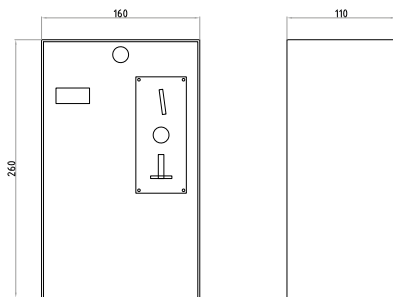
Consisting of:

- LED display: 3-digit, red, with display of remaining showering time
- Use-dependent automatic hygienic flush
- Flushing interval and hygienic flush duration adjustable via display
- Setting the minimum insertion
- Price and time selection via display

Coin types: 0,10 to 2,00 EUR  
 Operating voltage: 24 V/DC  
 Operating temperature: 0-40 °C  
 Operating humidity: 30-70 %  
 Dimensions (WxHxD): 160x260x110 mm  
 Weight: 3,5 kg

**Required accessories:** CONO511000 Central mains power supply

**Note:** Please specify type of coins when ordering!

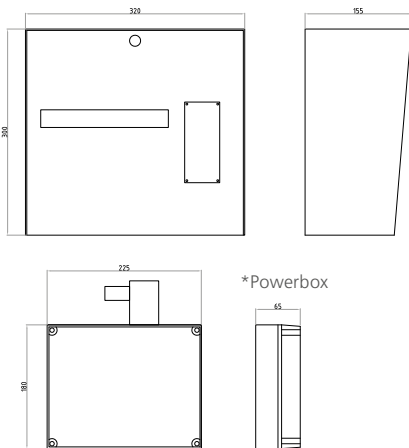


Description	Number of showers	Version	Article number
Coin validator 1 shower	1	Coins and tokens	<b>CONO138200</b>

Description	Packaging unit	Article number
Tokens	100	<b>CONO138299</b>

## Coin validator CONCASH 2.0, 4 showers, coins/tokens

Showers  
Accessories



Coin validator for max. four shower enclosures with CONCASH 2.0 showers, paid water release on several types of coins and tokens

Suitable for use in outdoor and wet areas, stainless steel housing, splash-proof electronics and connection via safety extra-low voltage.

Consisting of:

- LED display: 8-digit, red
- Setting the minimum insertion
- Price and time selection via display per terminal differently adjustable
- Per button multi-coloured status LEDs for terminal selection display
- Evaluation of the cash meter and operating hours counter possible
- Use-dependent automatic hygienic flush
- Separate PowerBox\* for power supply with relay outputs

Coin types: 0,10 to 2,00 EUR  
 Operating voltage: 24 V/DC  
 Operating temperature: 0-40 °C  
 Operating humidity: 30-70 %  
 Dimensions (WxHxD): 320x300x155 mm  
 Weight: 7 kg

**Note:** Please specify type of coins when ordering!

Description	Number of showers	Version	Article number
Coin validator 4 showers	up to 4	Coins and tokens	<b>CONO131040</b>

Description	Packaging unit	Article number
Tokens	100	<b>CONO138299</b>



## Coin validator CONCASH 2.0, 4 showers, EC / credit cards



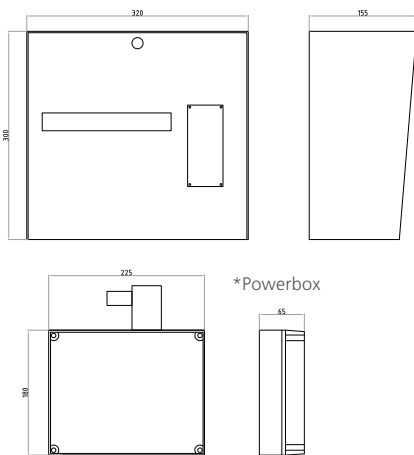
Coin validator for max. four shower enclosures with CONCASH 2.0 showers, paid water release via EC and credit card reader

Suitable for use in outdoor and wet areas, stainless steel housing, splash-proof electronics and connection via safety extra-low voltage.

Consisting of:

- EC and credit card terminal for online payment up to 25 EUR per transaction
- LED display: 8-digit, red
- Price and time selection via display per terminal differently adjustable
- Per button multi-coloured status LEDs for terminal selection display
- Evaluation of the cash meter and operating hours counter possible
- Use-dependent automatic hygienic flush
- Separate PowerBox\* for power supply with relay outputs

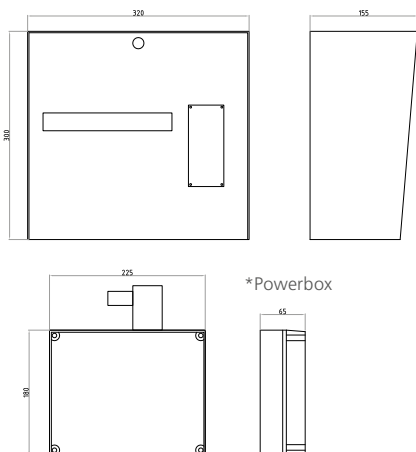
Operating voltage: 24 V/DC  
 Operating temperature: 0-40 °C  
 Operating humidity: 30-70 %  
 Dimensions (WxHxD): 320x300x155 mm  
 Weight: 7 kg



Showers  
Accessories

Description	Number of showers	Version	Article number
Coin validator 4 showers	up to 4	EC- and credit cards	<b>CONO131045</b>

## Coin validator CONCASH 2.0, 8 showers, coins/tokens



Coin validator for max. eight shower enclosures with CONCASH 2.0 showers, paid water release on several types of coins and tokens

Suitable for use in outdoor and wet areas, stainless steel housing, splash-proof electronics and connection via safety extra-low voltage.

Consisting of:

- LED display: 8-digit, red
- Setting the minimum insertion
- Price and time selection via display per terminal differently adjustable
- Per button multi-coloured status LEDs for terminal selection display
- Evaluation of the cash meter and operating hours counter possible
- Use-dependent automatic hygienic flush
- Separate PowerBox\* for power supply with relay outputs



Coin types: 0,10 to 2,00 EUR  
 Operating voltage: 24 V/DC  
 Operating temperature: 0-40 °C  
 Operating humidity: 30-70 %  
 Dimensions (WxHxD): 320x300x155 mm  
 Weight: 7 kg

**Note:** Please specify type of coins when ordering!

Description	Numb. of showers	Version	Article number
Coin validator 8 showers	up to 8	Coins and tokens	<b>CONO131080</b>



Description	Packaging unit	Article number
Tokens	100	<b>CONO138299</b>

## Thermal disinfection set for mechanical CONTI+ showers

 	<p><b>Thermal disinfection set for mechanical CONTI+ showers</b></p> <p>Upgrade of mechanical faucets for electronic thermal disinfection of shower installations based on the adaptive multifunctional water path CONGENIAL. Distributor connection for supplying the bistable solenoid valve to be installed in the bypass. The control electronics supplied allow the thermal disinfection to be triggered by a key switch (not included). Can be triggered by means of a key switch (not included in scope of delivery).</p> <p>Consisting of:</p> <ul style="list-style-type: none"> <li>• Distributor connection mains / bypass</li> <li>• Solenoid valve 6 V/DC ROBUST, bistable</li> <li>• Control electronics bypass 6 V/DC</li> <li>• Transverter 12-28 VAC/DC / 6 VDC</li> </ul> <p>Protection class: IP68</p>	
	Description	Version
CONTI+ Thermal disinfection set	for mechanical CONTI+ showers	<b>CONO321000</b>

Showers  
Accessories

## Thermal disinfection retrofitting set for electronic CONTI+ showers

 	<p><b>Thermal disinfection retrofitting set for electronic CONTI+ showers</b></p> <p>Retrofitting of electronic faucets for electronic thermal disinfection of shower units based on the adaptive multifunctional water path CONGENIAL or the compact water path CONSMART with mains power supply. Electronic control retrofit set for integration of the solenoid valve to be installed in the bypass. Triggering of thermal disinfection via key switch (not included in scope of delivery). Operation via the Service APP or integration into the CNX Water Management System.</p> <p>Consisting of:</p> <ul style="list-style-type: none"> <li>• Solenoid valve 6 V/DC ROBUST, bistable</li> <li>• Electronic control unit thermal disinfection 6 V/DC</li> </ul> <p>Protection class: IP68</p> <p><b>Note:</b> When integrated into the CNX Water Management System, a CNX Converter 30 V/DC-6 V/DC and a temperature sensor must be ordered separately.</p> <p>Conversion to battery version on request.</p>	
	Description	Version
CONTI+ Thermal disinfection retrofitting set	for electronic CONTI+ showers	<b>CONO322000</b>



### CONTI+ Spare parts list

CONTI+ spare parts list for shower- and washrooms for:

- Spare parts
- Accessories and optional functions
- Exploded assembly drawings

Download:

[https://conti.plus/fileadmin/conti.plus/world/downloads/SPARE-PARTS-Catalouge\\_EN.pdf](https://conti.plus/fileadmin/conti.plus/world/downloads/SPARE-PARTS-Catalouge_EN.pdf)



Installation and maintenance videos:

<https://www.youtube.com/channel/UCMd3Te3wmkiuhkgG8GPaLQQ>



## Key switch set



### Key switch set, switch key version, for CNX

For enabling faucets with bypass solenoid valve, for thermal disinfection when connected to CNX. Version with switch key function. For wall mounting.

Consisting of:

- Surface-mounted plastic housing
- Key switch with key

Dimensions (WxHxD): 80x72x56 mm (without key)

Protection class: IP45

**Note:**

Can only be used in conjunction with CNX Water Management System.

Description	Version	Article number
Key switch set	Switch key	<b>CONO330000</b>



### Key switch set, switch version

For enabling taps with bypass solenoid valve for thermal disinfection or for central triggering of hygiene flush. Version with switch function. For wall mounting.

Consisting of:

- Surface-mounted plastic housing
- Key switch with key

Dimensions (WxHxD): 80x72x56 mm (without key)

Protection class: IP45

**Note:**

Suitable for all applications except in conjunction with CNX Water Management System.

Description	Version	Article number
Key switch set	Switch	<b>CONO330010</b>

## Manual plug TD



### Manual plug TD

For installation in CONTI+ faucets and shower bodies as a bypass valve for performing a manual thermal disinfection.


Operating pressure: 0,3-10,0 bar

Flow rate: 0,05 l/s (automatic flow limiter)

Water temperature max.: 70 °C (shortly up to 80 °C for thermal disinfection)


Description	Material	Article number
TD plug	Brass	<b>CONO310000</b>

## CNX Converter


	<b>CNX Converter 6V</b> To integrate CONTI+ faucets (with the exception of CONPRIMUS and lino PRIMUS upright faucet L40) into the CNX Water Management System, by means of waterproof quick connectors (not included in the scope of delivery), connecting cable and plug, conversion of the input signal from 30V to 6 / 12V.	
	Operating voltage: 30 V/DC Input: Approx. 17 mA Protection: IP68	<b>Notice:</b> CONO214641 includes: <ul style="list-style-type: none"> <li>• Flush-mounted socket for masonry</li> <li>• Flush-mounted socket for dry construction</li> </ul>
Description	Material	Article number
CNX Converter 6V	Plastic	<b>CONO210000</b>
CNX Converter for flush-mounted socket 6V	Plastic	<b>CONO214641</b>

	<b>CNX Converter 12V</b> To integrate CONTI+ faucets CONPRIMUS and lino PRIMUS upright faucet L40 into the CNX Water Management System, by means of waterproof quick connectors (not included in the scope of delivery), connecting cable and plug, conversion of the input signal from 24V to 12V.	
	Operating voltage: 12 V/DC Input: Approx. 17 mA Protection: IP68	<b>Notice:</b> CONO211012 includes: <ul style="list-style-type: none"> <li>• Flush-mounted socket for masonry</li> <li>• Flush-mounted socket for dry construction</li> </ul>
Description	Material	Article number
CNX Converter 12V (CONPRIMUS)	Plastic	<b>CONO210012</b>
CNX Converter for flush-mounted socket 12V	Plastic	<b>CONO211012</b>


## BLE Converter for Service APP

	<b>BLE Converter for CONTI+ Service APP</b> To build up a Bluetooth® connection between CONTI+ faucets and a mobile control unit as smartphone or tablet. Smart faucet connection via CONTI+ Service APP.	
	<b>Technical data:</b> Bluetooth® low energy Operating voltage: 6-12 V/DC Protection: IP68	
Description	Colour	Article number
BLE Converter	Black	<b>CONO260000</b>


## Solenoid valve

	<b>Solenoid valve</b> For installation in CONTI+ faucet bodies as a bypass solenoid valve for carrying out an electronic thermal disinfection, with connection cable and plug, with flow rate regulator.	
	<b>Technical data:</b> Operating voltage: 6 V/DC Input: 3 W Operating pressure: 0,3-10,0 bar Flow rate: 0,05 l/s (automatic flow regulator) Water temperature max.: 70 °C (short-term up to 80°C for thermal disinfection) Protection: IP68	
Description	Material	Article number
Solenoid valve	Plastic casing	<b>CONO320000</b>

## CONGENIAL temperature sensor

	<b>Temperature sensor for CONGENIAL water path</b> Immersion sensor for logging the temperature during thermal disinfection of CONTI+ valves based on the CONGENIAL water path, integrated into the CNX Water Management System. For screwing into the water section housing. With connecting cable and plug.	
	<b>Technical data:</b> Material immersion sleeve: Stainless steel 1.4571 Diving length (approx.): 15 mm Material thread connection: Brass Thread: M10 x 1 Length of connecting cable: 300 mm Protection class: IP68	
Description	Version	Article number
CONGENIAL temperature sensor	Immersion sensor	<b>CONO410000</b>


## CONSMART temperature sensor

	<b>Temperature sensor for CONSMART water path</b> Contact sensor for recording the temperatures during thermal disinfection for CONTI+ valves, based on the CONSMART water path, integrated in the CNX Water Management System. For insertion in the water path casing. Fixing device with hexagon screw. With connection cable and plug.	
	<b>Technical data:</b> Material: Stainless steel 1.4571 Protection class: IP68	
Description	Version	Article number
CONSMART temperature sensor	Contact sensor	<b>CONO410010</b>

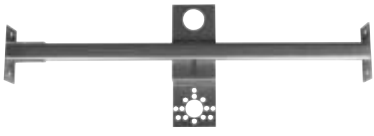
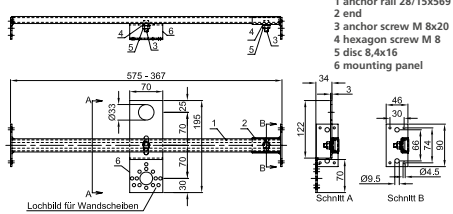
## Retrofit set cleaning stop

	<p>Retrofit set cleaning stop for electronic showers</p> <p>Time-out of water flow activation during cleaning operations by placing the RC switch on the underside of the shower panel, to the right or above the piezo button on the cover plate.</p> <p><b>Notice:</b> Concealed showers and shower panels, integrated into the CNX Water Management System, already include the cleaning stop function.</p> <p>Consisting of:</p> <ul style="list-style-type: none"> <li>• Control electronics retrofit set</li> <li>• Reed contact</li> <li>• RC switch, magnet with handle</li> </ul>	
Description	Version	Article number
Retrofit set cleaning stop	Shower installation	<b>CONO610000</b>

## Cable J-Y(St)Y


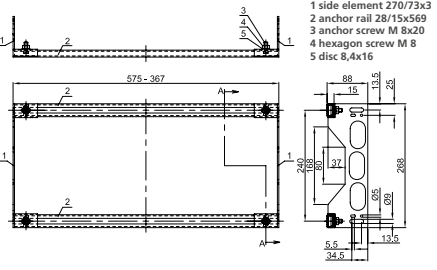
	<p>Cable J-Y(St)Y, 2x2x0,8 mm</p> <p>For electrical wiring of CONTI+ showers, lavatory faucets and urinal flush valves</p> <p>Outside coat: PVC, grey Outer diameter: 7 mm Temperature range: -30 °C to 70 °C, shielding by foil</p>	
Description	Packaging unit	Article number
Cable J-Y(St)Y, 2x2x0,8 mm	100 m	<b>CONO220000</b>



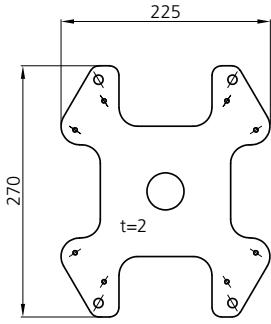
## Traverses

	 <p>1 anchor rail 28/15x569 2 end 3 anchor screw M 6x20 4 hexagon screw M 8 5 disc 8,4x16 6 mounting panel</p> <p>575-387</p> <p>Lochbild für Wandscheiben</p> <p>Schnitt A Schnitt B</p>	<p>Crossbar, for CONTI+ shower heads CONHEAD</p> <p>For fastening in metal partitions, double stud partitions and installation walls in any profile thickness, with shortenable installation width, galvanised</p> <p>Consisting of:</p> <ul style="list-style-type: none"> <li>• 1 Anchor rail, type 28/15, with a fix and a movable side part</li> <li>• 1 Mounting plate for shower head connection</li> <li>• Installation width: variable 417-625 mm</li> </ul> <p>Also usable with rail systems by manufacturers Geberit, Viega, TC Friatec, etc.</p>
Description	Version	Article number
Crossbar, for CONTI shower heads CONHEAD	Wall mounting	<b>CONO093000</b>

# Traverses


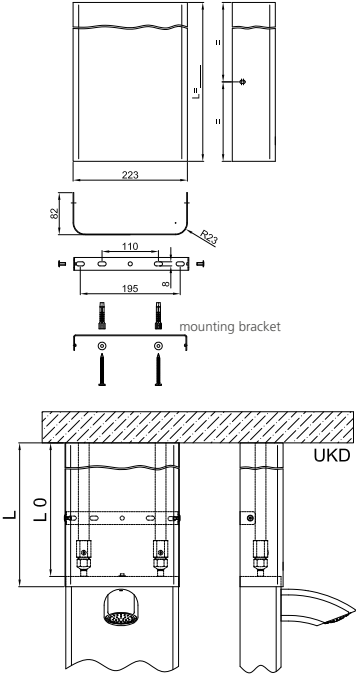
Showers  
Accessories


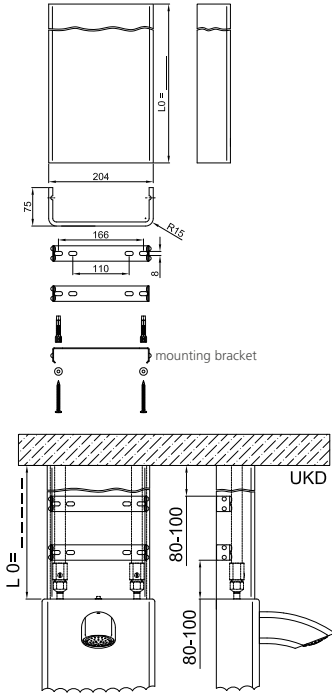
	 <p>1 side element 270/73x3 2 anchor rail 28/15x569 3 anchor screw M 8x20 4 hexagon screw M 8 5 disc 8,4x16</p>	<p><b>Crossbar frame, for CONBOX raw-assembling set</b></p> <p>For fastening in reinforced steel partition wall, double stud installation and installation walls in any profile thickness, with shortenable mounting width, electrogalvanized.</p> <p>Consisting of:</p> <ul style="list-style-type: none"> <li>• 2 Anchor rails, Typ 28/15</li> <li>• 2 Side parts, movable</li> <li>• 1 Mounting kit</li> <li>• Installation width: variable 417-625 mm</li> </ul> <p>Also usable with rail systems by manufacturers Geberit, Viega, TC Friatec, etc.</p>
<p>Description</p>	<p>Version</p>	<p>Article number</p>
<p>Crossbar frame, for CONBOX raw-assembling set</p>	<p>Wall mounting</p>	<p><b>CONO690000</b></p>

 	 <p>225</p> <p>270</p> <p>t=2</p>	<p><b>Traverse adapter for CONBOX FIT in combination with crossbar frames for CONBOX raw-assembling sets.</b></p> <p>For mounting CONBOX FIT concealed boxes for mechanical and electronic shower equipment and wall-mounted faucets, based on the CONGENIAL adaptive multifunctional water path.</p> <ul style="list-style-type: none"> <li>• Galvanised sheet steel</li> <li>• with holes for horizontal or vertical installation</li> <li>• horizontal installation for concealed wall faucets</li> <li>• vertical installation for concealed showers</li> <li>• incl. mounting material</li> </ul> <p>Dimensions (WxHxD)      270x220x2 mm Net weight:                      0.5 kg</p>
<p>Description</p>	<p>Version</p>	<p>Article number</p>
<p>Traverse adapter for CONBOX FIT</p>	<p>Wall mounting</p>	<p><b>CONO691000</b></p>

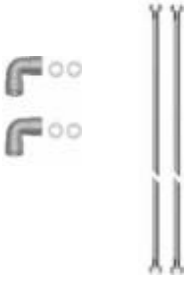


## Cover extensions


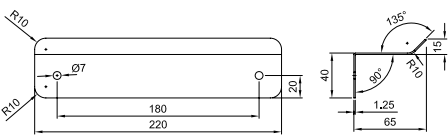
		<p>Cover extension, stainless steel</p> <p>For shower panels made of stainless steel, to obfuscate the access lines.</p> <p>Cover extension length at least 65 mm.</p> <p><b>Note:</b> When ordering, please specify the dimension L0.</p>
<p>Description</p>	<p>Version</p>	<p>Article number</p>
<p>Cover extension, stainless steel</p>	<p>Custom-made</p>	<p><b>CONO660000</b></p>


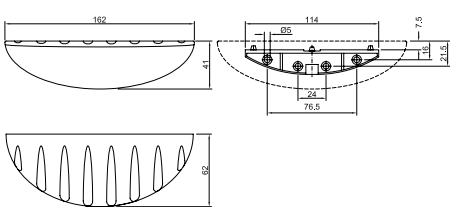
		<p>Cover extension, AVW</p> <p>For shower panels made of AVW, to obfuscate the access lines.</p> <p>Cover extension length at least 65 mm.</p> <p><b>Note:</b> When ordering, please specify the dimension L0.</p>
<p>Description</p>	<p>Version</p>	<p>Article number</p>
<p>Cover extension, AVW</p>	<p>Custom-made</p>	<p><b>CONO661000</b></p>

## Connection hose set

	<p>Connection hose set for CONGENIAL shower panels</p> <p>Connection from above and behind, incl. two flexible hoses, flat gaskets and connection angles.</p> <p>Hose length: 1330 mm Connection: R 1/2</p>	
Description	Connection	Article number
<p>Connection hose set for CONGENIAL shower panels</p>	<p>R 1/2</p>	<p><b>CONO670010</b></p>


## Soap dishes for shower faucets

		<p>Soap dish, stainless steel</p> <p>Made of stainless steel 1.4301, brushed surface.</p> <ul style="list-style-type: none"> <li>• With fixing material</li> <li>• Dimensions (WxHxD): 220x40x65 mm</li> </ul>
Description	Version	Article number
<p>Soap dish, stainless steel</p>	<p>Wall mounting</p>	<p><b>CONO680000</b></p>


		<p>Soap dish ABS</p> <p>Made of ABS, matt silver surface.</p> <ul style="list-style-type: none"> <li>• With fixing material for masonry and shower panel</li> <li>• Dimensions (WxHxD): 162x41x62 mm</li> </ul>
Description	Version	Article number
<p>Soap dish, ABS</p>	<p>Wall mounting or panel mounting</p>	<p><b>CONO681000</b></p>

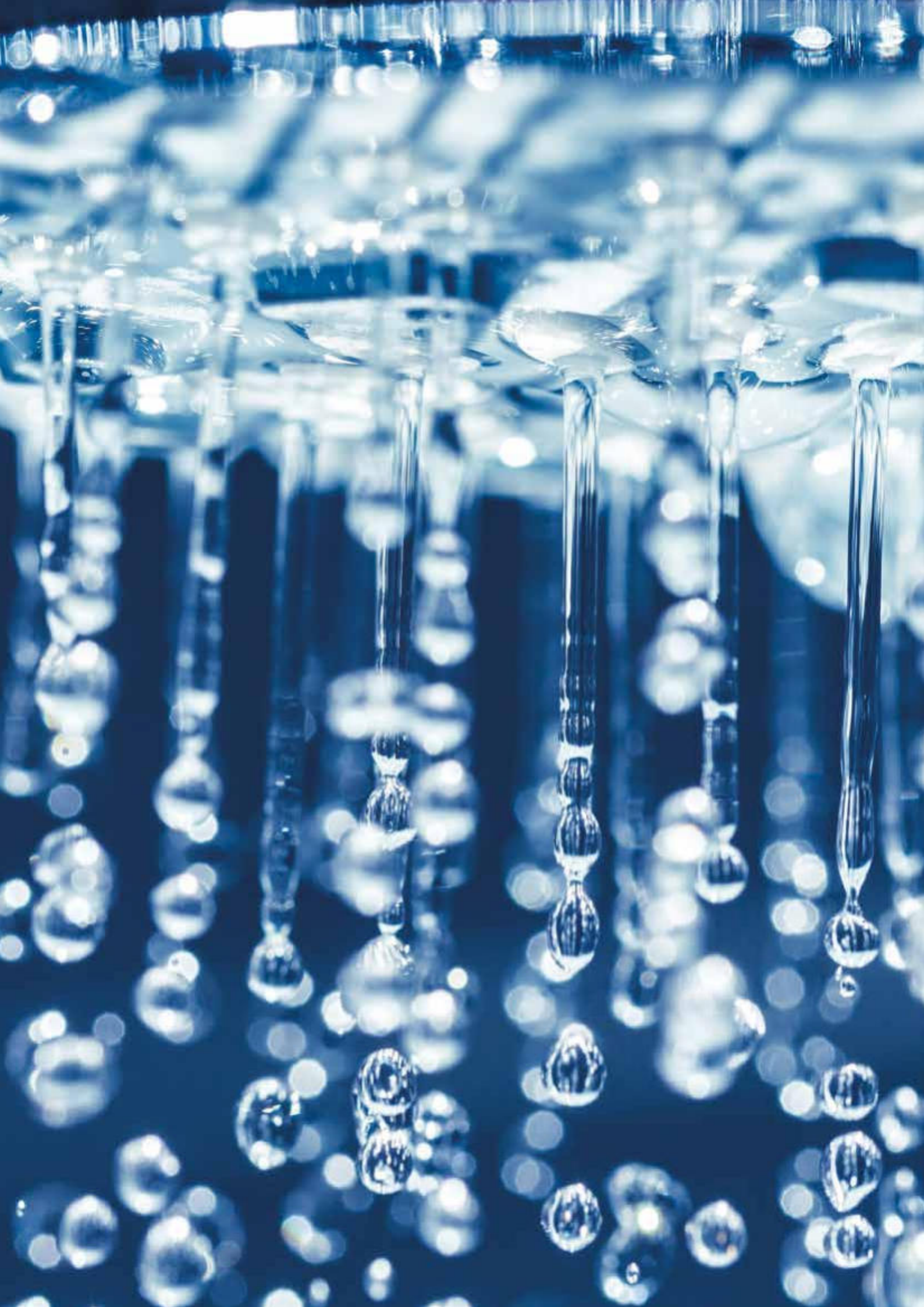
## Cleaning products

	<p><b>Microfiber cloth (grey)</b></p> <p>Soft microfiber cloth for professional use. With velvety surface for slightly textured, smooth and delicate surfaces, very good for cleaning stainless steel, chromed, aluminium, faucets and lacquered surface, washable up to 95 °C.</p>	
<p>Description</p>	<p>Dimension</p>	<p>Article number</p>
<p>Microfiber cloth grey</p>	<p>Approx. 400x400 mm</p>	<p><b>CONO690200</b></p>

	<p><b>Cleaner BR75</b></p> <p>Swimming pool and sanitary cleaners for all public and private swimming pools, toilets (urinals), showers and bath rooms, acid-resistant tiles and sanitary porcelain, as well as for removal of cement veils.</p>	
<p>Description</p>	<p>Filling quantity</p>	<p>Article number</p>
<p>Cleaner BR75</p>	<p>1000 ml</p>	<p><b>CONO690100</b></p>

## Tool kit

	<p><b>Tool kit for service and assembly of CONTI+ faucets</b></p> <p>Consisting of:</p> <ul style="list-style-type: none"> <li>• 1 Hook wrench 38 mm</li> <li>• 1 Allen key SW 3x36x16,5</li> <li>• 1 Face spanner adjustable</li> <li>• 1 Face spanner-screwdriver with handle</li> <li>• 1 Hexagon key SW 2x100</li> <li>• 1 Hexagon key SW 2,5x100</li> <li>• 1 Hexagon key SW 3x100</li> <li>• 1 Hexagon key SW 6x160</li> <li>• 1 Allen key SW 4x140x28</li> <li>• 1 Microfiber cloth</li> <li>• 1 Tool-belt bag</li> </ul>	
<p>Description</p>	<p>Colour</p>	<p>Article number</p>
<p>Tool kit for service and assembly of CONTI+ faucets</p>	<p>Black/Blue</p>	<p><b>CONO690300</b></p>

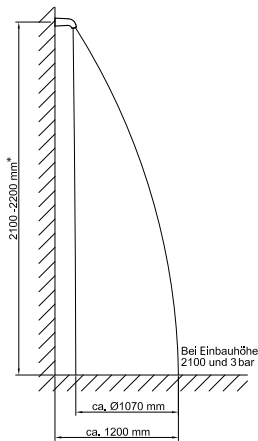
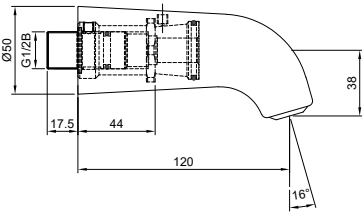




## Shower heads

Jet shower heads.....	184
Rain shower heads .....	188
Shower head kits.....	190
Hand shower set .....	192
Wall elbow .....	193
Wall duct.....	193
Adapter.....	193

# CONHEAD jet shower head



## CONHEAD jet shower head GOLF, DN15

Consisting of:

- Shower head fixed, heavy, solid version made of brass, with low maintenance single jet nozzle, low aerosol, chromed
- Brass plug-in connection (pre-assembled with shower panels) with integrated flow rate limiter

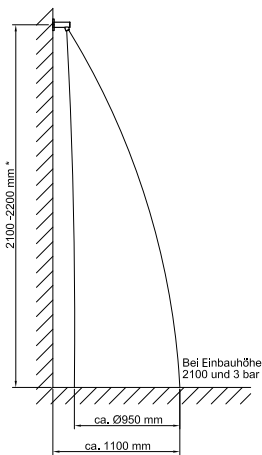
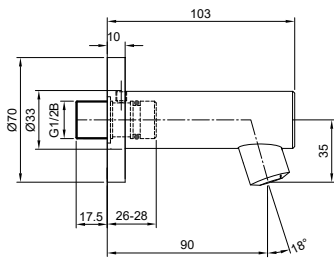
Connection: G 1/2 B  
 Flow rate: 0,15 l/s (flow rate controller)  
 Minimum flow pressure: 1,0 bar  
 Max. water temperature: 75 °C  
 Projection: 120 mm  
 Flow angle: 16°

**Optionally combineable with:**  
 CONO091000 Ball-type nozzle

Shower heads

Description	Installation	Material / Colour	Article number
CONHEAD jet shower head GOLF, DN 15	For shower panels	Chromed	<b>CONO010010</b>
	For wall mounting	Chromed	<b>CONO010000</b>

# CONHEAD jet shower head



## CONHEAD jet shower head CITY, DN15

Consisting of:

- Shower head fixed, heavy, solid version made of brass, chromed, with integrated swirl insert and low maintenance single jet nozzle, low aerosol, or alternatively made of stainless steel, mate 1.4404
- Brass plug-in connection (pre-assembled with shower panels), with integrated flow rate limiter

Connection: G 1/2 B  
 Flow rate: 0,15 l/s (flow rate controller)  
 Minimum flow pressure: 1,0 bar  
 Max. water temperature: 75 °C  
 Projection: 90 mm  
 Flow angle: 18°

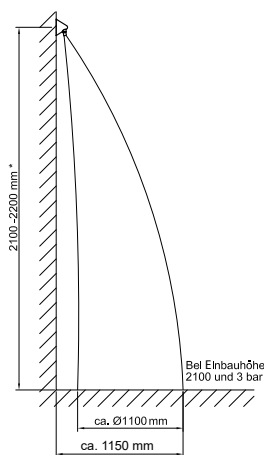
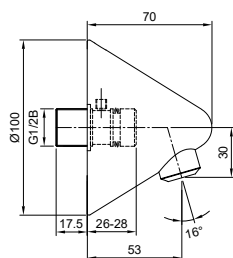
Version with flow rate limiter available in 0.1 l/s and 0.2 l/s

**Optionally combineable with:**  
 CONO091000 Ball-type nozzle

Shower heads

Description	Installation	Material / Colour	Article number
CONHEAD jet shower head CITY, DN 15	For shower panels	Chromed	<b>CONO050010</b>
	For shower panels	Stainless steel	<b>CONO051010</b>
CONHEAD jet shower head CITY, DN 15	For wall mounting	Chromed	<b>CONO050000</b>
	For wall mounting	Stainless steel	<b>CONO051000</b>

## CONHEAD jet shower head



### CONHEAD jet shower head VESUV, DN15

Consisting of:

- Shower head fixed, heavy, solid version made of brass, with integrated swirl insert and low maintenance single jet nozzle and fixed flow angle, low aerosol, chromed
- Brass plug-in connection (pre-assembled with shower panels), with integrated flow rate limiter

Connection: G 1/2  
 Flow rate: 0,15 l/s (flow rate controller)  
 Minimum flow pressure: 1,0 bar  
 Max. water temperature: 75 °C  
 Projection: 53 mm  
 Flow angle: 16°

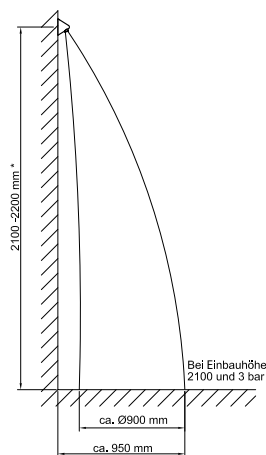
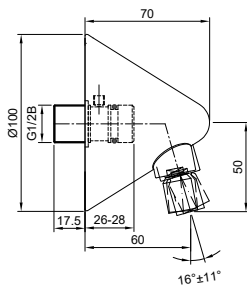
#### Optionally combineable with:

CONO91000 Ball-type nozzle

Description	Installation	Material / Colour	Article number
CONHEAD jet shower head VESUV, DN15	For shower panels	Chromed	<b>CONO060010</b>
	For wall mounting	Chromed	<b>CONO060000</b>



# CONHEAD jet shower head



## CONHEAD jet shower head VESUV, DN15, with adjustable flow angle

Consisting of:

- Shower head fixed, heavy, solid version made of brass, with integrated swirl insert and low maintenance single jet nozzle, with adjustable flow angle, low aerosol, chromed
- Brass plug-in connection (pre-assembled with shower panels), with integrated flow rate limiter

Connection: G 1/2 B  
 Flow rate: 0,15 l/s (flow rate controller)  
 Minimum flow pressure: 1,0 bar  
 Max. water temperature: 75 °C  
 Projection: With adjustable jet inclination  
 Flow angle: 16°±11°

Shower heads

Description	Installation	Material / Colour	Article number
COHEAD jet shower head VESUV, DN15 with adjustable jet inclination	For shower panels	Chromed	<b>CONO061010</b>
	For wall mounting	Chromed	<b>CONO061000</b>

# CONHEAD rain shower head

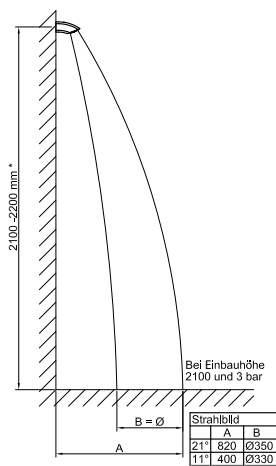
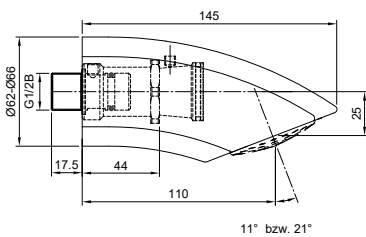


## CONHEAD rain shower head RAIN2, DN15

Consisting of:

- Shower head fixed, heavy, solid version made of brass, shower base made from GRP and anti-scaling nozzle with invisible, theft-proof fixings, normal jet, with adjustable flow angle, low aerosol, chrome plated housing
- Brass plug-in connection (pre-assembled with shower panels), with integrated flow rate limiter

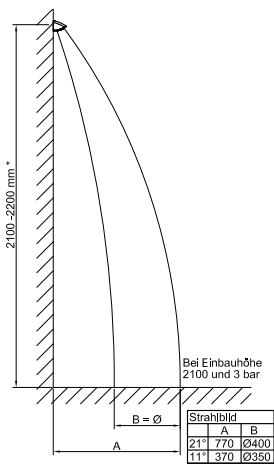
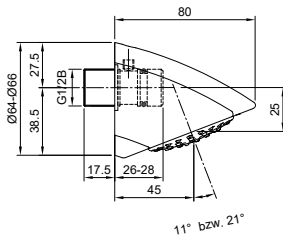
Connection: G 1/2 B  
 Flow rate: 0,15 l/s (flow rate limiter)  
 Minimum flow pressure: 1,0 bar  
 Max. water temperature: 75 °C  
 Projection: 110 mm  
 Flow angle: 11° or 21°



Shower heads

Description	Installation	Material / Colour	Article number
CONHEAD rain shower head RAIN2, DN15	For shower panels	Chromed	<b>CONO020010</b>
	For wall mounting	Chromed	<b>CONO020000</b>

# CONHEAD rain shower head



## CONHEAD rain shower head SHORTY, DN15

Consisting of:

- Shower head fixed, heavy, solid version made of brass, shower base made from GRP and anti-scaling nozzle with invisible, theft-proof fixings, normal jet, with adjustable flow angle, low aerosol, chrome plated housing
- Brass plug-in connection (pre-assembled with shower panels), with integrated flow rate limiter

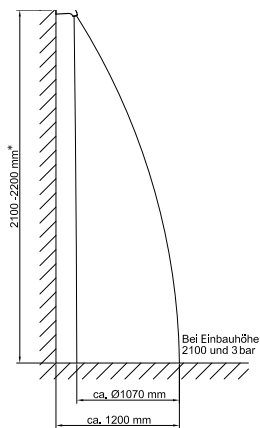
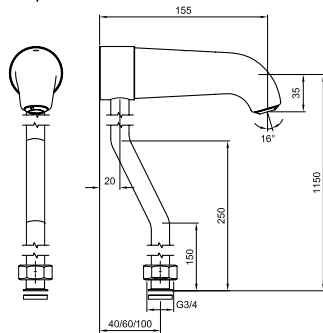
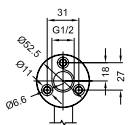
Connection: G 1/2 B  
 Flow rate: 0,15 l/s (flow rate limiter)  
 Minimum flow pressure: 1,0 bar  
 Max. water temperature: 75 °C  
 Projection: 45 mm  
 Flow angle: 11° or 21°

Shower heads

Description	Installation	Material / Colour	Article number
CONHEAD rain shower head SHORTY, DN15	For shower panels	Chromed	<b>CONO030010</b>
	For wall mounting	Chromed	<b>CONO030000</b>

# CONHEAD shower head kit

Shower heads



## CONHEAD shower head kit GOLF, DN15

Consisting of:

- Shower head fixed, heavy, solid version made of brass, with integrated swirl insert and low maintenance single jet nozzle, low aerosol, chromed
- Brass plug-in connection, with integrated flow rate limiter
- Shower riser made of brass  $\varnothing$  18 mm, trimmed to length, with adapter for wall mounting and fasteners

Connection: G 3/4  
 Flow rate: 0,15 l/s (flow rate limiter)  
 Minimum flow pressure: 1,0 bar  
 Max. water temperature: 75 °C  
 Projection: 155 mm  
 Flow angle: 11° or 21°

Description	Wall distance	Dimension	Article number
CONHEAD shower head kit GOLF	40 mm	DN15	<b>CONO010040</b>
	60 mm	DN15	<b>CONO010060</b>
	100 mm	DN15	<b>CONO010100</b>

# CONHEAD shower head kit

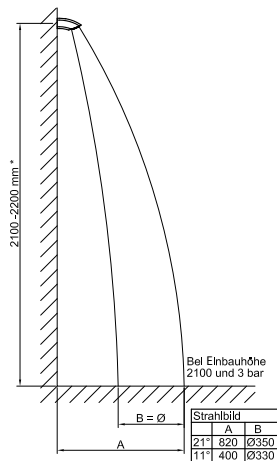
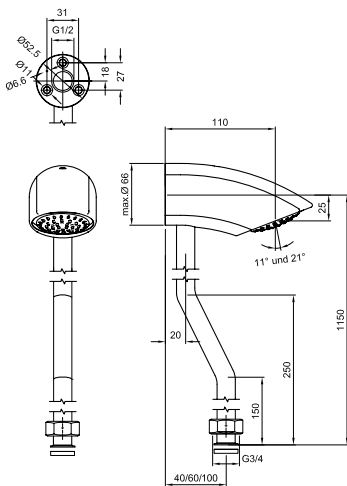


## CONHEAD shower head kit RAIN2, DN15

Consisting of:

- Shower head fixed, heavy, solid version made of brass, shower base made from GRP and anti-scaling nozzle with invisible, theft-proof fixings, normal jet, with adjustable flow angle, low aerosol, chrome plated housing
- Brass plug-in connection, with integrated flow rate limiter
- Shower riser made of brass Ø 18 mm, trimmed to length, with adapter for wall mounting and fasteners

Connection: G 3/4  
 Flow rate: 0,15 l/s (flow rate limiter)  
 Minimum flow pressure: 1,0 bar  
 Max. water temperature: 75 °C  
 Projection: 110 mm  
 Flow angle: 16°



Description	Wall distance	Dimension	Article number
CONHEAD shower head kit RAIN2	40 mm	DN15	<b>CONO020040</b>
	60 mm	DN15	<b>CONO020060</b>
	100 mm	DN15	<b>CONO020100</b>

## CONHEAD hand shower set



### CONHEAD hand shower set, DN15

Consisting of:


- Hand shower made of plastic, with anti-scaling nozzles as hygienic single jet version, chromed
- Shower riser, 1000 mm long, solid, stainless steel, fine mat finish, Ø 22 mm, with infinitely adjustable handheld shower bracket made of stainless steel and plastic coated modular elements, with ergonomically curved handle for safe and easy single handed height adjustment without twisting
- With wall brackets made of aluminium, black-grey (RAL 7021), Ø 70 mm, for flush mounting by covering panel made of stainless steel, fine mat finished covers, incl. fasteners for solid masonry

Connection: G 1/2  
 Overall length: 1000 mm


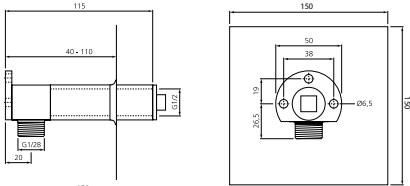
Shower heads

Description	Installation	Material / Colour	Article number
CONHEAD hand shower set	for shower panels	Chromed	<b>CONO040010</b>
	for wall installation	Chromed	<b>CONO040000</b>

## Wall elbow


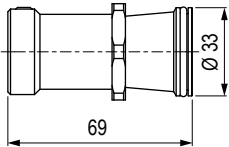
	<p>Wall elbow, DN15</p> <p>Wall elbow, high-gloss chromed, intrinsically safe according to DIN EN 1717, design housing made of plastic</p> <p>Connection: G 1/2</p>		
	Description	Dimension	Material / Colour
Wall elbow	DN15	Plastic, high-gloss chromed	<b>CONO092000</b>

## Wall duct

			<p>Wall duct DN15</p> <p>Consisting of:</p> <ul style="list-style-type: none"> <li>Waterproof wall duct, designed as a wall plate</li> <li>With extension and flexible gasket ring</li> </ul> <p>Connection inlet: G 1/2                  Connection outlet: G 1/2                  Gasket ring: 150x150 mm                  Total length: 115 mm</p>
	Description	Dimension	Material
Wall duct with gasket ring	DN15	Brass	<b>CONO090000</b>

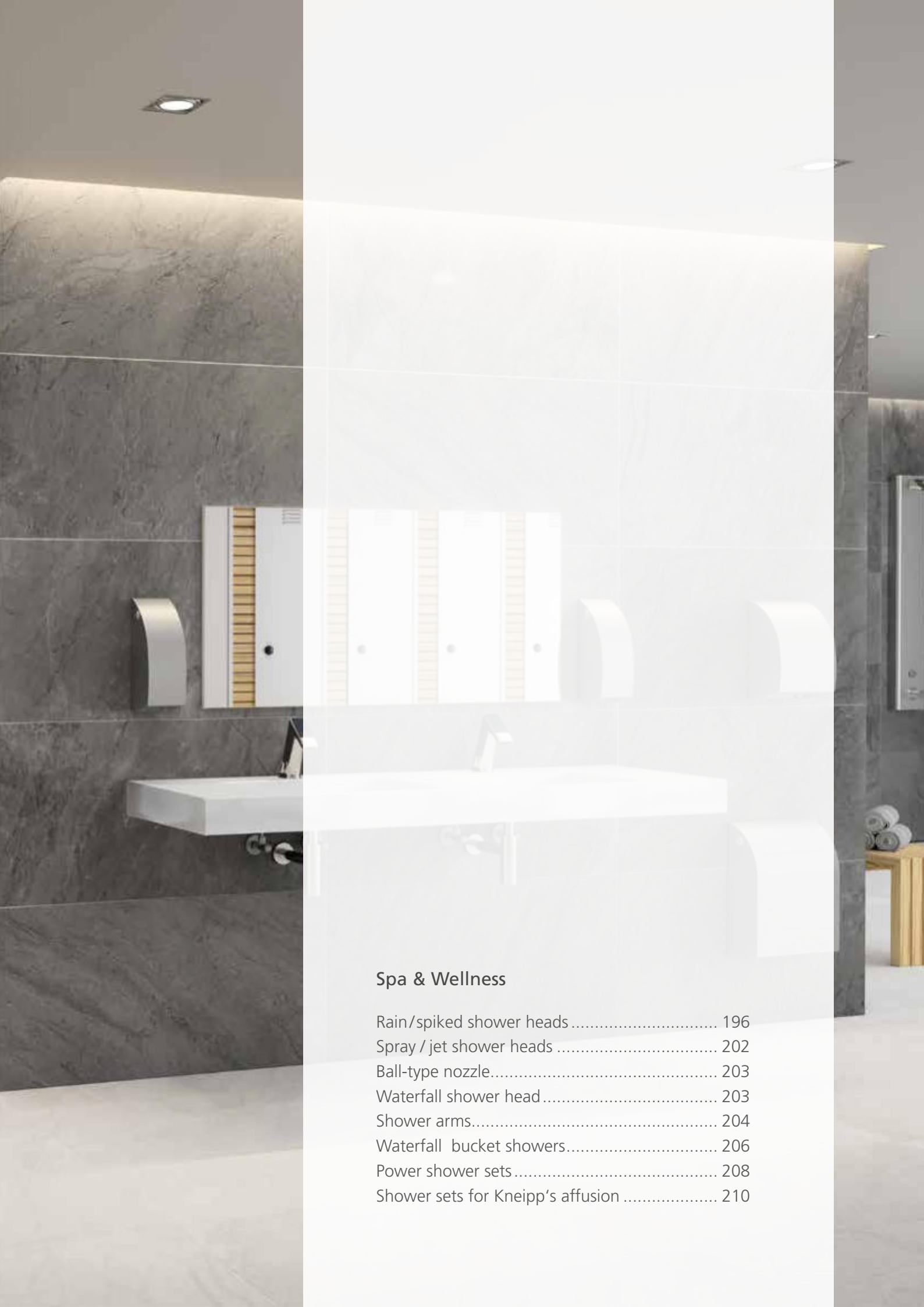
Shower heads

## Adapter

			<p>Adapter for shower heads, DN15</p> <p>Adapter for plug connection (small) for retrofitting shower panels and wall-mounted shower heads CONHEAD GOLF and RAIN2</p> <p>Consisting of:</p> <ul style="list-style-type: none"> <li>Brass base body, with setscrew for fixation</li> </ul> <p>Length: 69 mm                  Diameter: 33 mm</p>
	Description	Dimension	Material
Adapter for shower heads GOLF and RAIN2	DN15	Brass	<b>CONO094000</b>




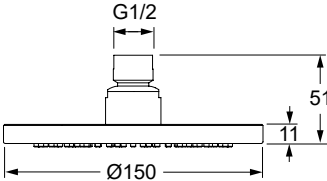



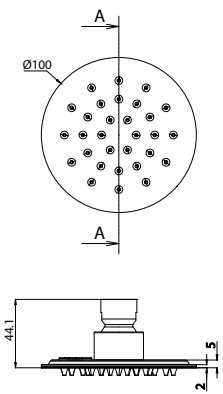


## Spa & Wellness


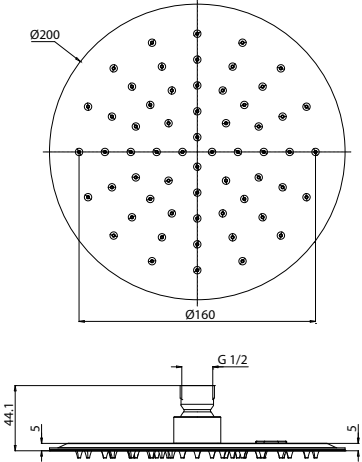
Rain/spiked shower heads .....	196
Spray / jet shower heads .....	202
Ball-type nozzle.....	203
Waterfall shower head .....	203
Shower arms.....	204
Waterfall bucket showers.....	206
Power shower sets .....	208
Shower sets for Kneipp's affusion .....	210


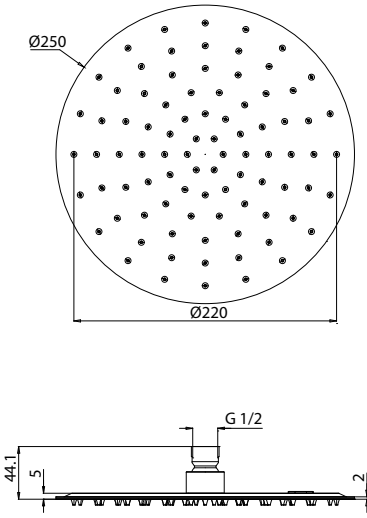
## CONWELL rain shower head safety valve

		<p>CONWELL rain shower head round, 150, DN15</p> <p>For wall and ceiling mounting via shower pipes or shower arm.</p> <p>Consisting of:</p> <ul style="list-style-type: none"> <li>Ceiling-mounted, multi-hole shower heads, made of brass, soft jet, low aerosol, with anti-scale nozzles, chromed</li> <li>Ball joint connection, chrome</li> </ul> <p>Connection: G 1/2                  Diameter: 150 mm                  Flow rate: 0,4 l/s (3 bar flow pressure)                  Flow pressure (min.): 0,5 bar                  Water temperature (max.): 70 °C</p>	
Description	Diameter	Material / Colour	Article number
CONWELL rain shower head round, DN15	150 mm	Chromed	<b>CONH04131000150</b>


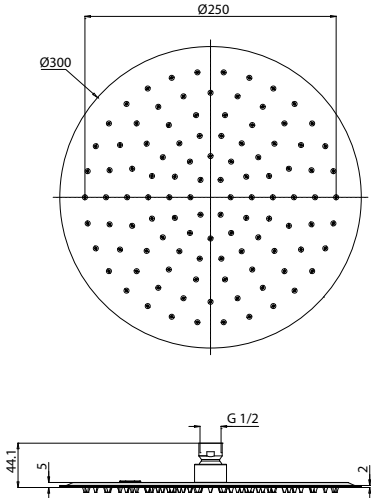
		<p>CONWELL rain shower head round 100, DN15</p> <p>For wall and ceiling mounting via shower tube or shower arm.</p> <ul style="list-style-type: none"> <li>Round, light and flat design</li> <li>Two-layer stainless steel perimeter welding</li> <li>Patented safety valve</li> </ul> <p>Consisting of:</p> <ul style="list-style-type: none"> <li>Shower head: stainless steel AISI 304, chromed</li> <li>Antibacterial anti-lime silicone nozzles</li> <li>Ball joint connection, chromed</li> </ul> <p>Flow pressure (min.): 1,0 bar                  Flow rate: 9 l/min. (flow rate controller)                  Water temperature (max.): 70 °C (short-term for TD 80 °C)</p> <p>Weight empty: 0,4 kg                  Diameter: 100 mm                  Number of nubs: 30 pieces                  Connection: G 1/2 B                  Flow pressure (max.): 3,0 bar</p>	
Description	Diameter	Material / Colour	Bestellnummer
CONWELL rain shower head round, DN15	100 mm	Chromed	<b>CONH14131000100</b>


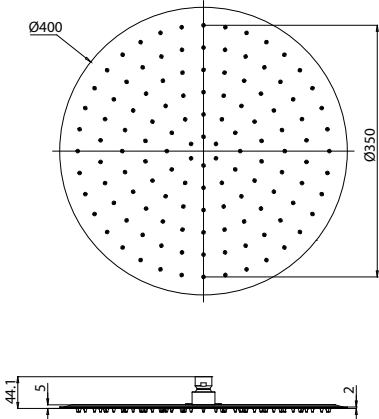
## CONWELL rain shower head safety valve

		<p><b>CONWELL rain shower head round 200, DN15</b></p> <p>For wall and ceiling mounting via shower tube or shower arm.</p> <ul style="list-style-type: none"> <li>• Round, light and flat design</li> <li>• Two-layer stainless steel perimeter welding</li> <li>• Patented safety valve</li> </ul> <p>Consisting of:</p> <ul style="list-style-type: none"> <li>• Shower head: stainless steel AISI 304, chromed</li> <li>• Antibacterial anti-lime silicone nozzles</li> <li>• Ball joint connection, chromed</li> </ul> <p>Flow pressure (min.): 1,0 bar                  Flow rate: 9 l/min. (flow rate controller)                  Water temperature (max.): 70 °C (short-term for TD 80 °C)</p> <p>Weight empty: 0,8 kg                  Diameter: 200 mm                  Number of nubs: 60 pieces                  Connection: G 1/2 B                  Flow pressure (max.): 5,0 bar</p>	
Description	Diameter	Material / Colour	Article number
CONWELL rain shower head round, DN15	200 mm	Chromed	<b>CONH14131000200</b>


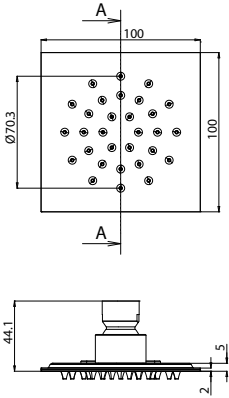

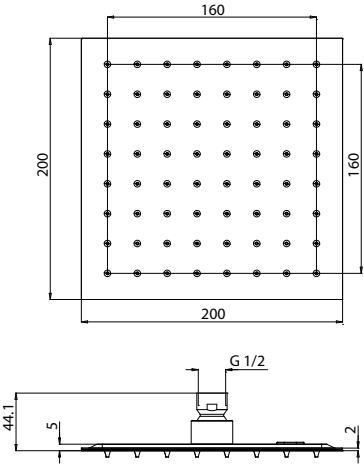
		<p><b>CONWELL rain shower head round 250, DN15</b></p> <p>For wall and ceiling mounting via shower tube or shower arm.</p> <ul style="list-style-type: none"> <li>• Round, light and flat design</li> <li>• Two-layer stainless steel perimeter welding</li> <li>• Patented safety valve</li> </ul> <p>Consisting of:</p> <ul style="list-style-type: none"> <li>• Shower head: stainless steel AISI 304, chromed</li> <li>• Antibacterial anti-lime silicone nozzles</li> <li>• Ball joint connection, chromed</li> </ul> <p>Flow pressure (min.): 1,0 bar                  Flow rate: 9 l/min. (flow rate controller)                  Water temperature (max.): 70 °C (short-term for TD 80 °C)</p> <p>Weight empty: 1,0 kg                  Diameter: 250 mm                  Number of nubs: 88 pieces                  Connection: G 1/2 B                  Flow pressure (max.): 5,0 bar</p>	
Description	Diameter	Material / Colour	Article number
CONWELL rain shower head round, DN15	250 mm	Chromed	<b>CONH14131000250</b>

## CONWELL rain shower head safety valve

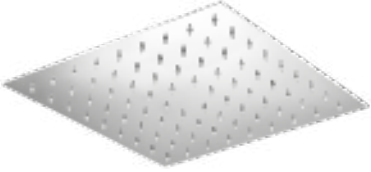
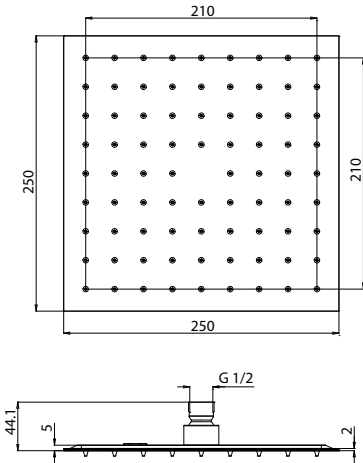
		<p><b>CONWELL rain shower head round 300, DN15</b></p> <p>For wall and ceiling mounting via shower tube or shower arm.</p> <ul style="list-style-type: none"> <li>• Round, light and flat design</li> <li>• Two-layer stainless steel perimeter welding</li> <li>• Patented safety valve</li> </ul> <p>Consisting of:</p> <ul style="list-style-type: none"> <li>• Shower head: stainless steel AISI 304, chromed</li> <li>• Antibacterial anti-lime silicone nozzles</li> <li>• Ball joint connection, chromed</li> </ul> <p>Flow pressure (min.): 1,0 bar                  Flow rate: 15 l/min. (flow rate controller)                  Water temperature (max.): 70 °C (short-term for TD 80 °C)</p> <p>Weight empty: 1,2 kg                  Diameter: 300 mm                  Number of nubs: 108 pieces                  Connection: G 1/2 B                  Flow pressure (max.): 5,0 bar</p>	
Description	Diameter	Material / Colour	Article number
CONWELL rain shower head round, DN15	300 mm	Chromed	<b>CONH14131000300</b>


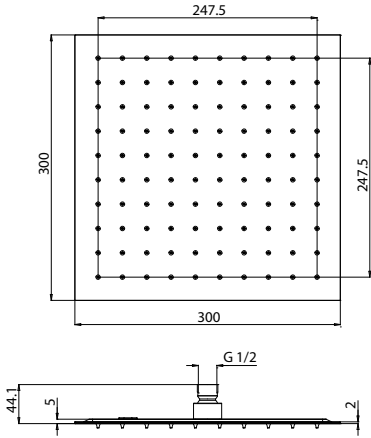
		<p><b>CONWELL rain shower head round 400, DN15</b></p> <p>For wall and ceiling mounting via shower tube or shower arm.</p> <ul style="list-style-type: none"> <li>• Round, light and flat design</li> <li>• Two-layer stainless steel perimeter welding</li> <li>• Patented safety valve</li> </ul> <p>Consisting of:</p> <ul style="list-style-type: none"> <li>• Shower head: stainless steel AISI 304, chromed</li> <li>• Antibacterial anti-lime silicone nozzles</li> <li>• Ball joint connection, chromed</li> </ul> <p>Flow pressure (min.): 1,0 bar                  Flow rate: 15 l/min. (flow rate controller)                  Water temperature (max.): 70 °C (short-term for TD 80 °C)</p> <p>Weight empty: 1,6 kg                  Diameter: 400 mm                  Number of nubs: 126 pieces                  Connection: G 1/2 B                  Flow pressure (max.): 5,0 bar</p>	
Description	Diameter	Material / Colour	Article number
CONWELL rain shower head round, DN15	400 mm	Chromed	<b>CONH14131000400</b>

## CONWELL rain shower head safety valve


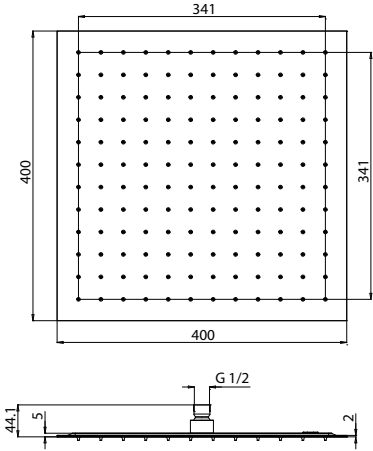
		<p><b>CONWELL rain shower head square 100, DN15</b></p> <p>For wall and ceiling mounting via shower tube or shower arm.</p> <ul style="list-style-type: none"> <li>• Round, light and flat design</li> <li>• Two-layer stainless steel perimeter welding</li> <li>• Patented safety valve</li> </ul> <p>Consisting of:</p> <ul style="list-style-type: none"> <li>• Shower head: stainless steel AISI 304, chromed</li> <li>• Antibacterial anti-lime silicone nozzles</li> <li>• Ball joint connection, chromed</li> </ul> <p>Flow pressure (min.): 1,0 bar            Flow rate: 9 l/min. (flow rate controller)            Water temperature (max.): 70 °C (short-term for TD 80 °C)</p> <p>Weight empty: 0,5 kg            Dimensions: 100x100 mm            Number of nubs: 30 pieces            Connection: G 1/2 B</p> <p>Flow pressure (max.): 3,0 bar</p>	
Description	Dimensions	Material / Colour	Article number
CONWELL rain shower head square, DN15	100x100 mm	Chromed	<b>CONH14133000100</b>
		<p><b>CONWELL rain shower head square 200, DN15</b></p> <p>For wall and ceiling mounting via shower tube or shower arm.</p> <ul style="list-style-type: none"> <li>• Round, light and flat design</li> <li>• Two-layer stainless steel perimeter welding</li> <li>• Patented safety valve</li> </ul> <p>Consisting of:</p> <ul style="list-style-type: none"> <li>• Shower head: stainless steel AISI 304, chromed</li> <li>• Antibacterial anti-lime silicone nozzles</li> <li>• Ball joint connection, chromed</li> </ul> <p>Flow pressure (min.): 1,0 bar            Flow rate: 9 l/min. (flow rate controller)            Water temperature (max.): 70 °C (short-term for TD 80 °C)</p> <p>Weight empty: 1,0 kg            Dimensions: 200x200 mm            Number of nubs: 64 pieces            Connection: G 1/2 B</p> <p>Flow pressure (max.): 5,0 bar</p>	
Description	Dimensions	Material / Colour	Article number
CONWELL rain shower head square, DN15	200x200 mm	Chromed	<b>CONH14133000200</b>

## CONWELL rain shower head safety valve

		<p><b>CONWELL rain shower head square 250, DN15</b></p> <p>For wall and ceiling mounting via shower tube or shower arm.</p> <ul style="list-style-type: none"> <li>• Round, light and flat design</li> <li>• Two-layer stainless steel perimeter welding</li> <li>• Patented safety valve</li> </ul> <p>Consisting of:</p> <ul style="list-style-type: none"> <li>• Shower head: stainless steel AISI 304, chromed</li> <li>• Antibacterial anti-lime silicone nozzles</li> <li>• Ball joint connection, chromed</li> </ul> <p>Flow pressure (min.): 1,0 bar          Flow rate: 9 l/min. (flow rate controller)          Water temperature (max.): 70 °C (short-term for TD 80 °C)</p> <p>Weight empty: 1,2 kg          Dimensions: 250x250 mm          Number of nubs: 80 pieces          Connection: G 1/2 B</p> <p>Flow pressure (max.): 5,0 bar</p>	
Description	Dimensions	Material / Colour	Article number
CONWELL rain shower head square, DN15	250x250 mm	Chromed	<b>CONH14133000250</b>


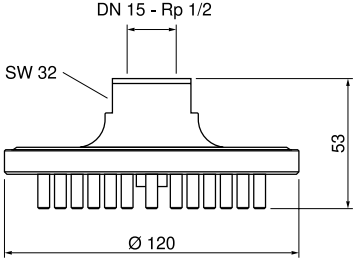
		<p><b>CONWELL rain shower head square 300, DN15</b></p> <p>For wall and ceiling mounting via shower tube or shower arm.</p> <ul style="list-style-type: none"> <li>• Round, light and flat design</li> <li>• Two-layer stainless steel perimeter welding</li> <li>• Patented safety valve</li> </ul> <p>Consisting of:</p> <ul style="list-style-type: none"> <li>• Shower head: stainless steel AISI 304, chromed</li> <li>• Antibacterial anti-lime silicone nozzles</li> <li>• Ball joint connection, chromed</li> </ul> <p>Flow pressure (min.): 1,0 bar          Flow rate: 15 l/min. (flow rate controller)          Water temperature (max.): 70 °C (short-term for TD 80 °C)</p> <p>Weight empty: 1,4 kg          Dimensions: 300x300 mm          Number of nubs: 100 pieces          Connection: G 1/2 B</p> <p>Flow pressure (max.): 5,0 bar</p>	
Description	Dimensions	Material / Colour	Article number
CONWELL rain shower head square, DN15	300x300 mm	Chromed	<b>CONH14133000300</b>

## CONWELL rain shower head safety valve


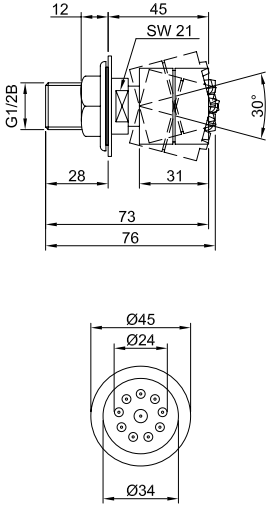
	 <p style="text-align: center;">Water pressure (max.): 5 bar</p>	<p><b>CONWELL rain shower head square 400, DN15</b></p> <p>For wall and ceiling mounting via shower tube or shower arm.</p> <ul style="list-style-type: none"> <li>• Round, light and flat design</li> <li>• Two-layer stainless steel perimeter welding</li> <li>• Patented safety valve</li> </ul> <p>Consisting of:</p> <ul style="list-style-type: none"> <li>• Shower head: stainless steel AISI 304, chromed</li> <li>• Antibacterial anti-lime silicone nozzles</li> <li>• Ball joint connection, chromed</li> </ul> <p>Flow pressure (min.): 1,0 bar                  Flow rate: 15 l/min. (flow rate controller)                  Water temperature (max.): 70 °C (short-term for TD 80 °C)</p> <p>Weight empty: 1,8 kg                  Dimensions: 400x400 mm                  Number of nubs: 144 pieces                  Connection: G 1/2 B</p> <p>Flow pressure (max.): 5,0 bar</p>	
Description	Dimensions	Material / Colour	Article number
CONWELL rain shower head square, DN15	400x400 mm	Chromed	<b>CONH14133000400</b>

Spa & Wellness


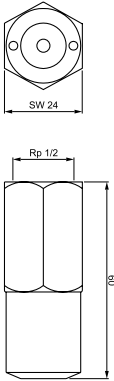
## CONWELL spiked shower head

		<p><b>CONWELL spiked shower head round 120, DN15</b></p> <p>For wall and ceiling mounting via shower tube or shower arm.</p> <p>Consisting of:</p> <ul style="list-style-type: none"> <li>• Multi jet shower head, heavy solid brass version, hard jet, low aerosol, chromed</li> </ul> <p>Connection: Rp 1/2                  Diameter: 120 mm                  Flow rate: 0,58 l/s (1,0 bar flow pressure)                  Flow pressure (min.): 0,5 bar                  Water temperature (max.): 75 °C</p>	
Description	Diameter	Material / Colour	Article number
CONWELL spiked shower head round, DN15	120 mm	Chromed	<b>CONH01131000120</b>

## CONWELL spray shower head

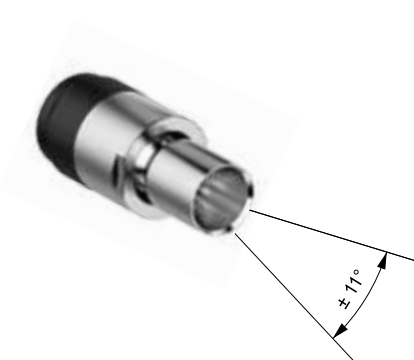
		<p>CONWELL spray shower head, DN15</p> <p>Consisting of:</p> <ul style="list-style-type: none"> <li>Spray shower head, heavy solid brass version, soft jet, with anti-lime nozzle, ball joint and rosette, for wall or panel mounting, chromed</li> </ul> <p>Connection: G 1/2 B          Calculated flow rate: 0,25 l/s (1,0 bar flow pressure)          Flow pressure (min.): 1,0 bar          Water temperature (max.): 75 °C          Projection: 45 mm</p>	
Description	Nominal width	Material / Colour	Article number
CONWELL spray shower head	DN15	Chromed	<b>CONH0213000000</b>

## CONWELL jet shower head

		<p>CONWELL jet shower head MINI, DN15</p> <p>For ceiling mounting.</p> <p>Consisting of:</p> <ul style="list-style-type: none"> <li>Shower head, fixed, heavy solid brass version, with integrated flow rate controller, integrated swirl insert and low-maintenance single jet ball nozzle, low aerosol, chromed</li> </ul> <p>Connection: Rp 1/2          Flow rate: 0,15 l/s (flow rate controller)          Flow pressure (min.): 1,0 bar          Water temperature (max.): 75 °C</p> <p>Version with 0,1 l/s and 0,2 l/s flow rate controller available.</p>	
Description	Nominal width	Material / Colour	Article number
CONWELL jet shower head MINI	DN15	Chromed	<b>CONH0313000001</b>


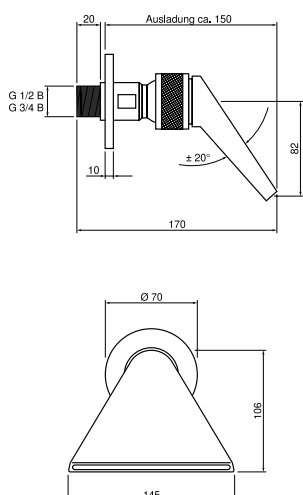


## CONWELL ball-type nozzle


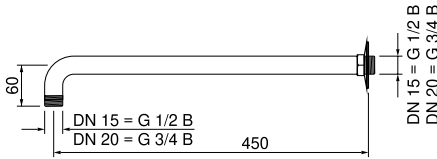
	<p><b>CONWELL ball-type nozzle, DN15</b></p> <p>For variable flow angles for jet shower heads GOLF, VESUV, CITY, MINI, MAXI.</p> <p>Consisting of:</p> <ul style="list-style-type: none"> <li>1x ball nozzle holder made of black POM (visible by use in CITY, MINI and MAXI shower heads), with integrated swirl insert and a low-maintenance brass single-jet ball nozzle, chromed</li> </ul> <p>Connection: G 1/2                  Total length: 55 mm                  Flow angle: ±11 Grad                  Flow pressure (min.): 1,0 bar</p>		
	Description	Nominal width	Material / Colour
CONWELL ball-type nozzle	DN15	Chromed	<b>CONO091000</b>

Spa & Wellness


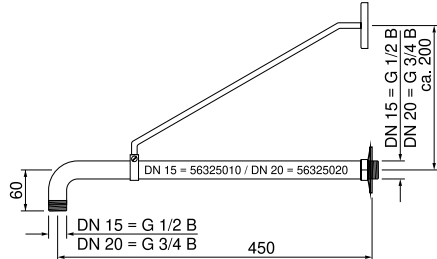
## CONHEAD waterfall shower head

	 <p><b>CONHEAD waterfall shower head, DN15</b></p> <p>Consisting of:</p> <ul style="list-style-type: none"> <li>Heavy solid brass version, for wall mounting, with ball joint and rosette, low aerosol, chromed</li> </ul> <p>Connection: G 1/2 B                  Flow rate: 0,66 l/s (1,0 bar)                  Flow pressure (min.): 0,5 bar                  Water temperature (max.): 75 °C                  Projection: 150 mm</p>		
	Description	Nominal width	Material / Colour
CONHEAD waterfall shower head	DN15	Chromed	<b>CONO070000</b>


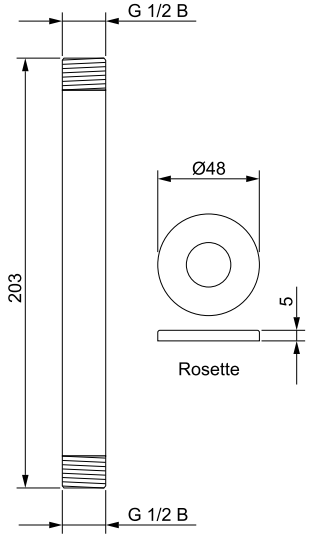
## Shower arm

			<p>Shower arm, DN15 / DN20</p> <p>For mounting shower heads on the wall.</p> <p>Consisting of:</p> <ul style="list-style-type: none"> <li>• Heavy solid brass version with rosette, chromed</li> </ul> <p>Connection DN15: G 1/2 B                  Connection DN20: G 3/4 B                  Projection: 450 mm</p>
	Description	Nominal width	Material / Colour
Shower arm	DN15	Chromed	<b>CONO090450</b>

## Shower arm with holder


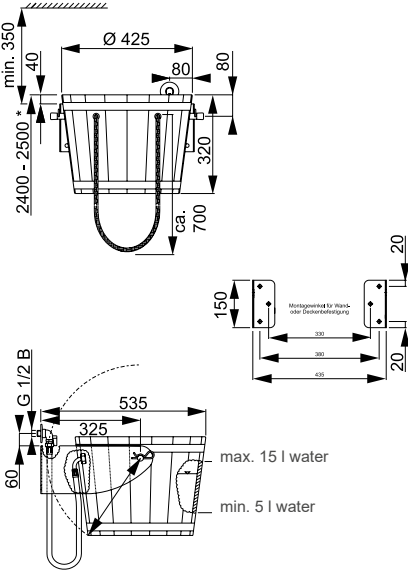
			<p>Shower arm with holder, DN15 / DN20</p> <p>For mounting shower heads on the wall.</p> <p>Consisting of:</p> <ul style="list-style-type: none"> <li>• Solid version made of brass with rosette and bracket, chromed</li> </ul> <p>Connection DN15: G 1/2 B                  Connection DN20: G 3/4 B                  Projection: 450 mm</p>
	Description	Nominal width	Material / Colour
Shower arm	DN15	Chromed	<b>CONO091450</b>

## Ceiling shower arm


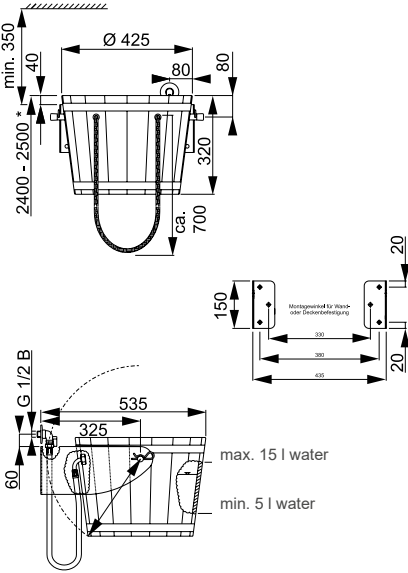
		<p><b>Shower arm, DN15</b>          For mounting shower heads on the ceiling.</p> <p>Consisting of:</p> <ul style="list-style-type: none"> <li>• Solid version made of brass with rosette, chromed</li> </ul> <p>Connection: G 1/2 B          Length: 203 mm</p>	
Description	Length	Material / Colour	Article number
Shower arm, DN15	203 mm	Chromed	<b>CONO092200</b>

Spa & Wellness

## CONWELL bucket shower for indoor areas

		<p><b>CONWELL waterfall bucket shower for indoor areas, DN15</b></p> <p>Consisting of:</p> <ul style="list-style-type: none"> <li>• Wood bucket made of Kambala wood, transparent coating internally and externally, strong white plastic pull cord</li> <li>• Suspension system made of stainless steel, 1.4301</li> <li>• For wall or ceiling mounting</li> <li>• Connection set with angle valve set, flexible connection hose and automatic filler valve</li> <li>• Amount of water adjustable at the filling valve</li> </ul> <p>Connection: G 1/2                  Content min.: 5 l                  Content max.: 15 l                  Weight empty: 11 kg</p>	
Description	Mounting	Nominal width	Order number
CONWELL waterfall bucket shower	For indoor areas	DN15	<b>CONH05000001000</b>

## CONWELL bucket shower for outdoor areas

		<p><b>CONWELL waterfall bucket shower for outdoor areas, DN15</b></p> <p>Consisting of:</p> <ul style="list-style-type: none"> <li>• Wood bucket made of Kambala wood, UV-resistant version, weather-resistant lacquer on the outside, blue hygienic seal on the inside, strong white plastic pull cord</li> <li>• Suspension system made of stainless steel, 1.4301</li> <li>• For wall or ceiling mounting</li> <li>• Connection set with angle valve set, flexible connection hose and automatic filler valve</li> <li>• Amount of water adjustable at the filling valve</li> </ul> <p>Connection: G 1/2                  Content min.: 5 l                  Content max.: 15 l                  Weight empty: 11 kg</p>	
Description	Mounting	Nominal width	Article number
CONWELL waterfall bucket shower	For outdoor areas	DN15	<b>CONH05000000000</b>

CONTI 



## CONWELL power shower set, with angle stop valve



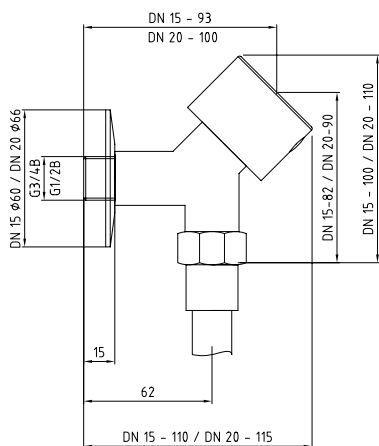
### CONWELL power shower set, with angle stop valve, DN15

Hydrotherapy set for power showers with angle stop valve, white hose, hose length 1500 mm, for wall mounting.

Consisting of:

- 1 Angle stop valve with ceramic head and design handle, entirely made of brass, chromed
- 1 Special hose for power showers, colour white, 1500 mm long, with power shower nozzle made of plastic, white
- 1 Connection fitting, chromed, with integrated check valve
- 1 Hose holder made of plastic, chromed

Connection DN15: G 1/2 B  
 Operating pressure (max.): 6,0 bar  
 Flow rate 1 bar: 0,13 l/s  
 Flow rate 3 bar: 0,36 l/s



Description	Nominal width	Colour	Article number
CONWELL power shower set, with angle stop valve	DN15	White	<b>CONH2113600000</b>

## CONWELL power shower set, with ball connector



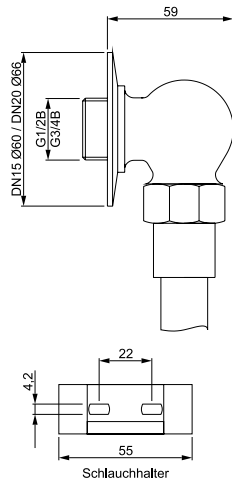
### CONWELL power shower set, with ball connector, DN150

Hydrotherapy set for power shower with wall elbow (ball shape), white hose, hose length 1500 mm, for wall mounting.

Consisting of:

- 1 Wall elbow, casing and rosette made of brass, chromed
- 1 Special hose for power showers, colour white, 1500 mm long, with power shower nozzle made of plastic, white
- 1 Connection fitting, chromed, with integrated check valve
- 1 Hose holder made of plastic, chromed

Connection DN15: G 1/2 B  
 Operating pressure (max.): 6,0 bar  
 Flow rate 1 bar: 0,13 l/s  
 Flow rate 3 bar: 0,36 l/s



Description	Nominal width	Colour	Article number
CONWELL power shower set, with ball connector	DN15	White	<b>CONH21137000000</b>

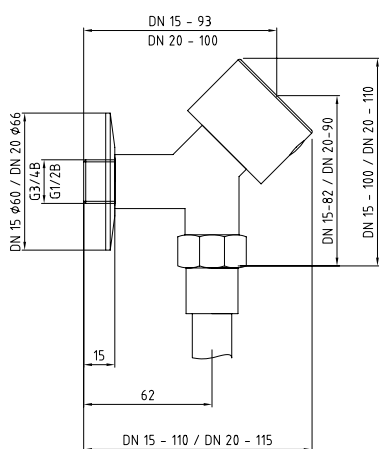
## CONWELL shower set for Kneipp's affusions, with angle stop valve



CONWELL shower set for Kneipp's affusions, with angle stop valve, DN15  
 Hydrotherapy set for Kneipp's affusions with angle stop valve, white hose, for wall mounting.

- Consisting of:
- 1 Angle stop valve with ceramic head and design handle, entirely made of brass, chromed
  - 1 Special hose for Kneipp's affusions, colour white
  - 1 Connection fitting, chromed, with integrated check valve
  - 1 Hose holder made of plastic, chromed

Connection DN15: G 1/2 B  
 Operating pressure (max.): 6,0 bar  
 Flow rate 1 bar: 0,13 l/s  
 Flow rate 3 bar: 0,36 l/s



Description	Nominal width	Colour	Article number
CONWELL shower set for Kneipp affusions, with angle stop valve, 1500 mm	DN15	White	<b>CONH22136000150</b>
CONWELL shower set for Kneipp affusions, with angle stop valve, 2400 mm	DN15	White	<b>CONH22136000240</b>



## CONWELL shower set for Kneipp's affusions, with ball connector



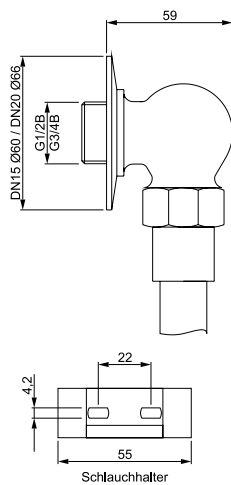
### CONWELL shower set for Kneipp's affusions, with ball connector, DN15

Hydrotherapy set for Kneipp's affusions with wall elbow (ball shape), white hose, for wall mounting.

Consisting of:

- 1 Wall elbow, casing and rosette made of brass, chromed
- 1 Special hose for Kneipp's affusions, colour white
- 1 Connection fitting, chromed, with integrated check valve
- 1 Hose holder made of plastic, chromed

Connection DN15: G 1/2 B  
 Operating pressure (max.): 6,0 bar  
 Flow rate 1 bar: 0,13 l/s  
 Flow rate 3 bar: 0,36 l/s



Spa & Wellness

Description	Nominal width	Colour	Article number
CONWELL shower set for Kneipp affusions, with ball connector, 1500 mm	DN15	White	<b>CONH22137000150</b>
CONWELL shower set for Kneipp affusions, with ball connector, 2400 mm	DN15	White	<b>CONH22137000240</b>





**Thermostat batteries**

Thermostat batteries exposed..... 214  
Thermostatic mixing valves ..... 216

## CONTHERM thermostat battery AV



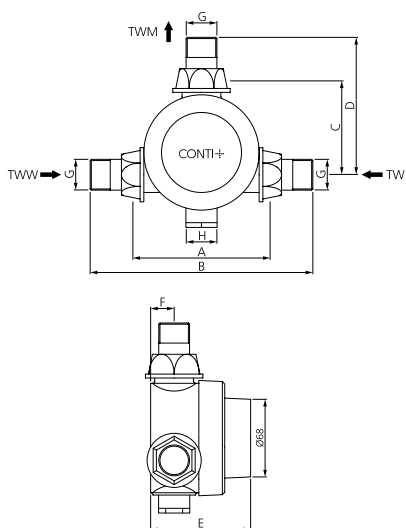
### CONTHERM thermostat battery AV, exposed, DN15 – DN50

Thermostat battery with scalding protection, for providing hot water at a constant temperature, for wall mounting, with fittings.

Consisting of:

- 1 Thermostatic battery, red brass body, working part designed as a cartridge system on bi-metal basis with pressure compensation system for higher temperature stability, with temperature selector for fixed or limited settings and degree scale, 30-70 °C (blue handle), with backflow preventer and sieves, chrome plated
- 3 Fittings (AV), chrome plated

Connections:	DN15	DN20	DN25	DN32	DN40	DN50
	R 1/2	R 3/4	R 1	R 1 1/4	R 1 1/2	R 2
Flow rate:	0,46 l/s	1,33 l/s	2,00 l/s	2,91 l/s	4,33 l/s	6,67 l/s
Operating pressure max:	6,0 bar					
Pressure difference:	TWW to TW max. 1,5 bar					
Max. TWW:	85 °C					
Min. TWW:	TWM + 5 K					



DN	A	B	C	D	E	F	G	H
15	103	177	52	89	100	17,5	R 1/2	
20	117	197	82	122	93	18	R 3/4	G 3/4 B
25	133	223	94,5	139,5	101	23	R 1	G 3/4
32	176	306	111,5	176,5	116	24	R 1 1/4	G 3/8
40	217	241	134	196	127	32	R 1 1/2	G 3/8

Nominal width	Connection	Temperature setting range	Article number
DN15	R 1/2	15-50 °C	<b>CONM92604000015</b>
DN20	R 3/4	30-70 °C	<b>CONM92604000020</b>
DN25	R 1	30-70 °C	<b>CONM92604000025</b>
DN32	R 1 1/4	30-70 °C	<b>CONM92604000032</b>
DN40	R 1 1/2	30-70 °C	<b>CONM92604000040</b>

## CONTHERM thermostat battery WAV



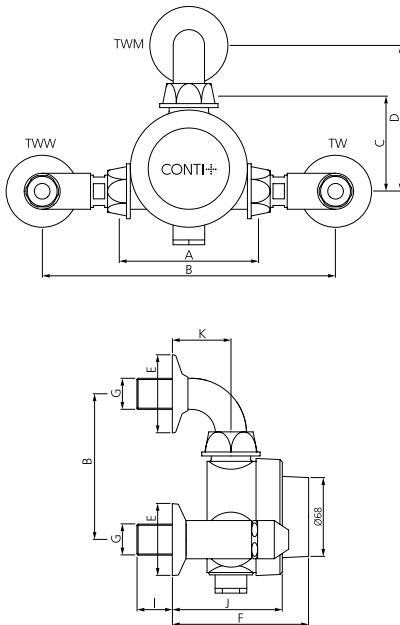
### CONTHERM thermostat battery WAV, exposed, DN15 – DN25

Thermostat battery, with scalding protection, for providing hot water with a constant temperature, for wall mounting, with angle fittings.

Consisting of:

- 1 Thermostat battery, red brass body, working part designed as a cartridge system on bi-metal basis with pressure compensation system for higher temperature stability, with temperature selector for fixed or limited settings and degree scale, 30-70 °C (blue handle), with backflow preventer and sieves, chrome plated
- 3 Angle fittings (WAV), inlets fitted with stop valves, chrome plated

Connections:	DN15	DN20	DN25
	R 1/2	R 3/4	R 1
Flow rate:	0,46 l/s	1,33 l/s	2,00 l/s
Operating pressure max:	6,0 bar		
Pressure difference:	TWW zu TW max. 1,5 bar		
Max. TWW:	85 °C		
Max. TWW:	TWM + 5 K		



DN	A	B	C	D	E	F	G	I	J	K
15	103	157 ± 20	52	96	Ø 70	115	R 1/2	25	65	45
20	117	270 ± 5	82	124	Ø 70	118	R 3/4	30	68	45
25	133	300 ± 5	94,5	159,5	Ø 70	128	R 1	30	78	50

Nominal width	Connection	Temperature setting range	Article number
DN15	R 1/2	15-50 °C	<b>CONM92604001015</b>
DN20	R 3/4	30-70 °C	<b>CONM92604001020</b>
DN25	R 1	30-70 °C	<b>CONM92604001025</b>

## CONTHERM thermostatic mixing valve



### CONTHERM thermostatic mixing valve, DN15, with connection set

- For mounting under the table
- For connection to hot and cold water
- Intrinsically safe
- Anti-scalding protection
- Safety stop and „Legionella handle“ for easy manual thermal disinfection
- Housing and temperature adjustment handle made of brass, chromed
- With integrated backflow preventer

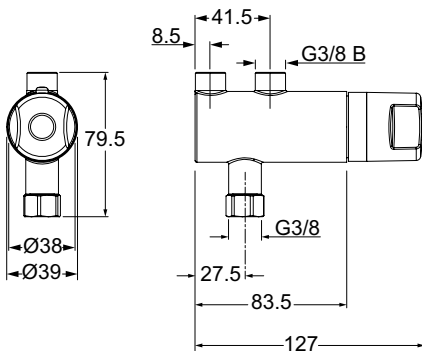
Thermostatic mixing valve with connection set consisting of:

- 1 Thermostat battery
- 1 Connection set for mounting on existing angle valves

Thermostatic mixing valve without connection set consisting of:

- 1 Thermostat battery

Operating pressure: 5,0 bar  
 Flow rate: 12 l/min / 3,2 gpm (1 bar)  
 Water temperature (max.): 75 °C  
 Temperature range: 30-70 °C  
 Connection entry: G 3/8 B  
 Connection drain: G 3/8



Thermostat  
batteries

Description	Version	Nominal width	Article number
CONTHERM thermostatic mixing valve	With connection set	DN15	<b>CONM9164000000</b>

## CONTHERM thermostatic mixing valve



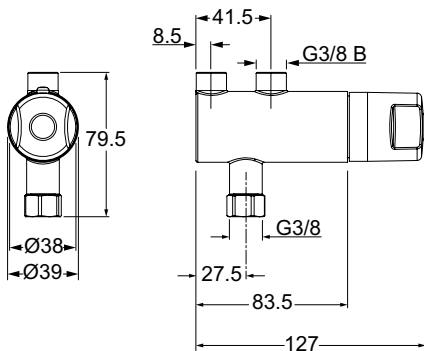
### CONTHERM thermostatic mixing valve, DN15, without connection set

- For mounting under the table
- For connection to hot and cold water
- Intrinsically safe
- Anti-scalding protection
- Safety stop and „Legionella handle“ for easy manual thermal disinfection
- Housing and temperature adjustment handle made of brass, chromed
- With integrated backflow preventer

#### Consisting of:

- 1 Thermostat-battery

Operating pressure: 5,0 bar  
 Flow rate: 0,2 l/s (1 bar)  
 Water temperature (max.): 75 °C  
 Temperature setting range: 30-70 °C  
 Inlet connection: G 3/8 B  
 Outlet connection: G 3/8



Description	Version	Nominal width	Article number
CONTHERM thermostatic mixing valve	Without connection set	DN15	<b>CONM91640001000</b>





# WASHROOM SOLUTIONS

---

Lavatory & Urinal faucets | Washbasins | Sanitary equipment







## Electronic faucets

Functional options ..... 222

## Touchless lavatory faucets

ultra..... 224

lino ..... 237

lumino ..... 245

iQ ..... 250

Senso..... 255

loopino ..... 256

maxx..... 260

umaxx..... 263

## Self-closing lavatory faucets

tipolino ..... 264

## Concealed wall-mounted faucets

CONGENIAL FIT ..... 266

ultra..... 285

lino ..... 286

iQ ..... 289

## Exposed wall-mounted faucets

CONBASE ..... 291

lino ..... 295

## Multiple washing systems

CONGENIAL..... 300

lino ..... 305

# Functional options for faucets

Overview lavatory and wall-mounted faucets (not all features combinable)

		FUNCTIONAL CHARACTERISTICS							
Faucets	Water flow actuation				Resource-saving functions				
	Self-closing function, electronic		Self-closing function, mechanical	Mechanical	Adjustable water flow time	Optional valve units: reduced flow rate	Solar module	Turbine	
	IR sensor	Piezo switch	Water-hydraulics	Single-lever					
<b>LAVATORY FAUCETS</b>									
Senso	•								
ultra	•				•	•	•	•	
lino	•				•		•		
lumino	•				•				
lumino+	•				•				
iQ	•				•				
loopino	•				•				
maxx	•				•				
umaxx	•				•				
tipolino		•			•				
CONWASH			•		•				
CONMED				•					
<b>CONCEALED WALL-MOUNTED FAUCETS</b>									
CONGENIAL FIT	•	•			•				
ultra	•				•	•	•		
lino WV	•				•				
iQ	•				•				
<b>EXPOSED WALL-MOUNTED FAUCETS</b>									
lino K	•				•				
lino W	•				•				
CONWASH			•		•				
CONMED				•					
CONBASE	•				•				

Faucets  
electronic



Service functions											Hygiene and safety functions										
Temporary-off-cleaning stop	Continuous-on-filling mode	TwistStop: shut-off valve in the faucet	Self-adapting sensor sensitivity	Function key Click	Function key Click-Plus	Function key Touch	Thermostatic mixing	VARIOconnect	Service APP	Touchless operation	Hygienic flush	Adjustable hot water limitation	Display/indicator water temperature	Combination with instant water heater	Manual thermal hygienic flush with thermostatic mixer (thermal disinfection)	Electronic thermal hygienic flush CNX (thermal disinfection)	Cold flush	Anti-scalding	CNX Water Management System & Service APP		
●	●	●	●			●		●	●	●	●	●	●	●*	●				●		
●	●	●	●			●		●	●	●	●	●	●	●*	●				●		
●	●		●	●	●		▼ <sup>2)</sup>	●	●	●	●	●		●*	●	◆ <sup>3)</sup>	▼ <sup>2)</sup>	▼ <sup>2)</sup>	●		
●	●		●	●	●				●	●	●	●		●*	●				●		
●	●		●	●	●				●	●	●	●		●	●				●		
●	●		●	●	●			●	●	●	●	●		●*	●				●		
●	●		●	●	●			●	●	●	●	●		●*	●				●		
●	●		●			●		●	●	●	●	●		●*	●				●		
●	●		●			●		●	●	●	●	●		●*	●				●		
o <sup>1)</sup>								●	●		●			●*	●						
															●						
															●						
o <sup>1)</sup>		●	●						●	●	●					●			●		
●	●		●			●		●	●	●	●								◆ <sup>4)</sup>		
●	●		●	●	●			●	●	●	●								●		
●	●		●	●	●			●		●	●								◆ <sup>4)</sup>		
●	●		●	●	●				●	●	●								◆ <sup>4)</sup>		
●	●		●			●				●	●								◆ <sup>4)</sup>		
●	●		●							●	●								◆ <sup>4)</sup>		
●	●		●	●					●	●	●								●		

Faucets electronic

● standard feature | ●\* feature possible | o<sup>1)</sup> if integrated into CNX | ▼<sup>2)</sup>: lino AS | ◆<sup>3)</sup> lino PRIMUS upright faucet | ◆<sup>4)</sup> Service APP, only possible in conjunction with BLE Converter

# ultra lavatory faucet GS20 PUBLIC



ultra lavatory faucet GS20 PUBLIC, with IR sensor, without temperature-mixing, (for cold or premixed water), chromed

Touchless, electronically controlled lavatory faucet:

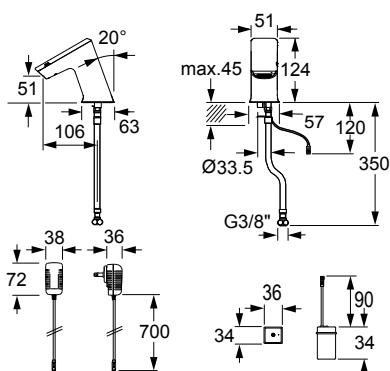
- Modular single-piece design, without separate installation box, sturdy metal housing, chromed
- Dual infrared sensor with automatic setting feature, microprocessor
- Reliable solenoid valve ROBUST (minimal level of water pressure surge)
- Vandal-resistant aerator (replaceable with integrated tool)
- Cold water supply connection with flexible high-pressure hose
- Built-in filter
- TwistStop: integrated automatic shut-off for facilitate replacing or cleaning the filter (no shut-off to angle valves required)
- One Tool Service / all system parts accessible from above
- 12 or 24-hour hygienic flush activatable with Touch
- External battery box
- Compatible with CNX and Service APP: control of stored operational data, settings and control functions

Battery: 4x1,5 V Alkaline AA batteries; life time up to 4 years  
 Mains supply: Plug-in transformer 110-240 V 50/60 Hz / 6 V  
 VARIOconnect: For single and multiple power supply and data connection (Connection CNX and Service APP - see accessories)

Operating pressure: 0,3-10 bar  
 Flow rate: Approx. 6 l/min (3 bar)  
 Water temperature (max.): 80 °C  
 Aerator: Aerator RC  
 Flexible hose: 350 mm  
 Angle valve connection: G 3/8  
 Built-in filter: 0,5 mm mesh size  
 Sensor sensitivity: Automatic self-adapting sensor technology  
 Follow-up time: 1 s pre-set (adjustable with Touch 0-10 s)  
 Continuous water flow and hygienic flush time: 2 min pre-set (adjustable with Touch 0,5-20 min)  
 Temporary-off: 2 min (fixed)  
 Engineering standards: DIN EN 200; CE

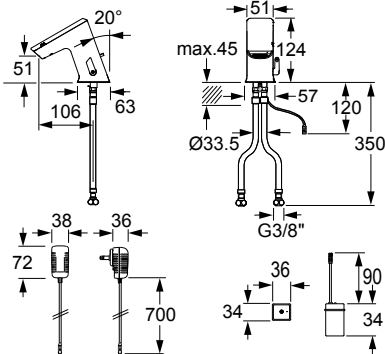
**Optional:** Valve unit with multi laminar spray head 2 l/min (see accessories)

**Note:** When integrated into the CNX Water Management System, the CNX Converter 6 V must be ordered separately.  
 When using the Service APP, the BLE Converter must be ordered separately.



Power supply	Drain assembly	Colour	Article number
Battery	Without	Chromed	<b>161.040.11</b>
Mains operation	Without	Chromed	<b>161.050.11</b>
VARIOconnect	Without	Chromed	<b>161.056.11</b>

# ultra lavatory faucet GS10 PUBLIC



## ultra lavatory faucet GS10 PUBLIC, with IR sensor, with temperature-mixing, chromed

Touchless, electronically controlled lavatory faucet:

- Modular single-piece design, without separate installation box, sturdy metal housing, chromed
- Dual infrared sensors (with automatic setting feature), microprocessor
- Reliable solenoid valve ROBUST (minimal level of water pressure surge)
- Vandal-resistant aerator (replaceable with integrated tool)
- Hot and cold water supply connection with flexible high-pressure hoses
- Check valves and built-in filters
- Temperature adjustable or fixable (vandal-resistant construction)
- Adjustable hot water limitation (mechanically)
- TwistStop: integrated automatic shut-off for facilitate replacing or cleaning the filter (no shut-off to angle valves required)
- One Tool Service / all system parts accessible from above
- 12 or 24-hour hygienic flush activatable with Touch
- External battery box
- Compatible with CNX and Service APP: control of stored operational data, settings and control functions

Battery: 4x1,5 V Alkaline AA batteries; life time up to 4 years  
 Mains supply: Plug-in transformer 110-240 V 50/60 Hz / 6 V  
 VARIOconnect: For single and multiple power supply and data connection (Connection CNX and Service APP - see accessories)

Operating pressure: 0,3-10 bar  
 Flow rate: Approx. 6 l/min (3 bar)  
 Water temperature (max.): 80 °C  
 Aerator: Aerator RC  
 Flexible hoses: 350 mm  
 Angle valve connection: G 3/8  
 Built-in filters: 0,5 mm mesh size  
 Sensor sensitivity: Automatic self-adapting sensor technology  
 Follow-up time: 1 s pre-set (adjustable with Touch 0-10 s)  
 Continuous water flow and hygienic flush time: 2 min pre-set (adjustable with Touch 0,5-20 min)  
 Temporary-off: 2 min (fixed)  
 Engineering standards: DIN EN 200; CE

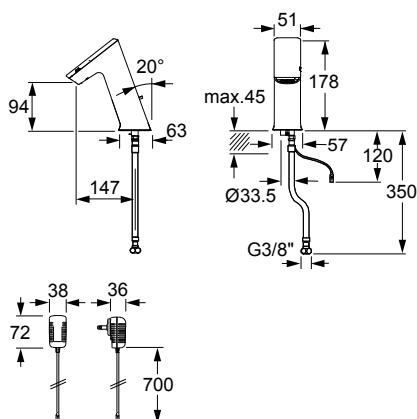
**Optional:** Valve unit with multi laminar spray head 2 l/min (see accessories)

**Note:** When integrated into the CNX Water Management System, the CNX Converter 6 V must be ordered separately.  
 When using the Service APP, the BLE Converter must be ordered separately.

Power supply	Drain assembly	Colour	Article number
Battery	Without	Chromed	<b>161.000.11</b>
Mains operation	Without	Chromed	<b>161.010.11</b>
VARIOconnect	Without	Chromed	<b>161.016.11</b>

Faucets electronic

# ultra lavatory faucet GM20 PUBLIC



ultra lavatory faucet GM20 PUBLIC, with IR sensor, without temperature-mixing (for cold or premixed water), chromed

Touchless, electronically controlled lavatory faucet:

- Modular single-piece design without separate installation box, sturdy metal housing, chromed
- Dual infrared sensors (with automatic setting feature), microprocessor
- Reliable solenoid valve ROBUST (minimal level of water pressure surge)
- Vandal-resistant aerator (replaceable with integrated tool)
- Cold water supply connection with flexible hose
- Built-in filter
- TwistStop: integrated automatic shut-off for facilitate replacing or cleaning the filter (no shut-off to angle valves required)
- One Tool Service / all system parts accessible from above
- Automatic energy saving function (solar)
- 12 or 24-hour hygienic flush activatable with Touch
- Integrated battery unit
- Compatible with CNX and Service APP: control of stored operational data, settings and control functions

- Battery:** 4x1,5 V Alkaline AA batteries; life time up to 4 years
- Solar:** Photovoltaic cell in combination with 4x1,5 V Alkaline AA batteries (support batteries) commercial; life time up to 8 years
- Turbine:** Integrated turbine in combination with 4x1,5 V Alkaline AA batteries (support batteries) commercial; life-time up to 8 years
- Mains supply:** Plug-in transformer 110-240 V 50-60 Hz / 6 V
- VARIOconnect:** For single and multiple power supply and data connection (Connection CNX and Service APP - see accessories)

- Operating pressure:** 0,3-10 bar
- Flow rate:** Approx. 6 l/min (3 bar)
- Water temperature (max.):** 80 °C
- Aerator:** Aerator RC
- Flexible hose:** 350 mm
- Angle valve connection:** G 3/8
- Built-in filter:** 0,5 mm mesh size
- Sensor sensitivity:** Automatic self-adapting sensor technology
- Follow-up time:** 1 s pre-set (adjustable with Touch 0-10 s)
- Continuous water flow and hygienic flush time:** 2 min pre-set (adjustable with Touch 0,5-20 min)
- Temporary-off:** 2 min (fixed)
- Engineering standards:** DIN EN 200; **CE**

**Optional:** Valve unit with multi laminar spray head 2 l/min (see accessories)

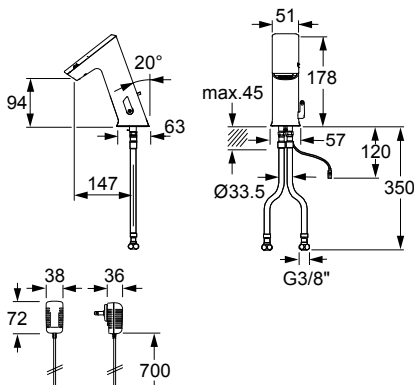
**Note:** When integrated into the CNX Water Management System, the CNX Converter 6 V must be ordered separately.  
When using the Service APP, the BLE Converter must be ordered separately.

Power supply	Drain assembly	Colour	Article number
Battery	Without	Chromed	<b>162.040.11</b>
Mains operation	Without	Chromed	<b>162.050.11</b>
VARIOconnect	Without	Chromed	<b>162.056.11</b>
Solar	Without	Chromed	<b>162.048.11</b>
Turbine	Without	Chromed	<b>162.078.11</b>

Faucets electronic



# ultra lavatory faucet GM10 PUBLIC



## ultra lavatory faucet GM10 PUBLIC, with IR sensor, with temperature-mixing, chromed

Touchless, electronically controlled lavatory faucet:

- Modular single-piece design without separate installation box, sturdy metal housing, chromed
- Dual infrared sensors (with automatic setting feature), microprocessor
- Reliable solenoid valve ROBUST (minimal level of water pressure surge)
- Vandal-resistant aerator (replaceable with integrated tool)
- Hot and cold water supply connection with flexible high-pressure hoses
- Check valves and built-in filters
- Temperature adjustable or fixable (vandal-resistant construction)
- Adjustable hot water limitation (mechanically)
- TwistStop: integrated automatic shut-off for facilitate replacing or cleaning the filter (no shut-off to angle valves required)
- One Tool Service / all system parts accessible from above
- Automatic energy saving function (solar)
- 12 or 24-hour hygienic flush activatable with Touch
- Integrated battery unit
- Compatible with CNX and Service APP: control of stored operational data, settings and control functions

- Battery:** 4x1,5 V Alkaline AA batteries; life time up to 4 years
- Solar:** Photovoltaic cell in combination with 4x1,5 V Alkaline AA batteries (support batteries) commercial; life time up to 8 years
- Turbine:** Integrated turbine in combination with 4x1,5 V Alkaline AA batteries (support batteries) commercial; life-time up to 8 years
- Mains supply:** Plug-in transformer 110-240 V 50-60 Hz / 6 V
- VARIOconnect:** For single and multiple power supply and data connection (Connection CNX and Service APP - see accessories)

- Operating pressure:** 0,3-10 bar
- Flow rate:** Approx. 6 l/min (3 bar)
- Water temperature (max.):** 80 °C
- Aerator:** Aerator RC
- Flexible hoses:** 350 mm
- Angle valve connection:** G 3/8
- Built-in filters:** 0,5 mm mesh size
- Sensor sensitivity:** Automatic self-adapting sensor technology
- Follow-up time:** 1 s pre-set (adjustable with Touch 0-10 s)
- Continuous water flow and hygienic flush time:** 2 min pre-set (adjustable with Touch 0,5-20 min)
- Temporary-off:** 2 min (fixed)
- Engineering standards:** DIN EN 200; **CE**

**Optional:** Valve unit with multi laminar spray head 2 l/min (see accessories)

**Note:** When integrated into the CNX Water Management System, the CNX Converter 6 V must be ordered separately.  
When using the Service APP, the BLE Converter must be ordered separately.

Power supply	Drain assembly	Colour	Article number
Battery	Without	Chromed	<b>162.000.11</b>
	With	Chromed	<b>162.001.11</b>
Mains operation	Without	Chromed	<b>162.010.11</b>
	With	Chromed	<b>162.011.11</b>
VARIOconnect	Without	Chromed	<b>162.016.11</b>
	With	Chromed	<b>162.017.11</b>
Solar	Without	Chromed	<b>162.008.11</b>
	With	Chromed	<b>162.009.11</b>
Turbine	Without	Chromed	<b>162.068.11</b>
	With	Chromed	<b>162.069.11</b>

Faucets electronic

# ultra lavatory faucet GM10 EXPERT



ultra lavatory faucet GM10 EXPERT, with IR sensor, with temperature-mixing, solar, chromed

Touchless, electronically controlled lavatory faucet:

- Continuous water flow via integrated piezo button
- Modular single-piece design without separate installation box, sturdy metal housing, chromed
- LCD display: shows the temperature and water flow time
- Dual infrared sensors (with automatic setting feature), microprocessor
- Reliable solenoid valve ROBUST (minimal level of water pressure surge)
- Vandal-resistant aerator (replaceable with integrated tool)
- Hot and cold water supply connection with flexible high-pressure hoses
- Check valves and built-in filters
- Temperature adjustable or fixable (vandal-resistant construction)
- Adjustable hot water limitation (mechanically)
- TwistStop: integrated automatic shut-off for facilitate replacing or cleaning the filter (no shut-off to angle valves required)
- One Tool Service / all system parts accessible from above
- 12 or 24-hour hygienic flush activatable with Touch
- Automatic energy saving function (solar) and safety shutdown
- Integrated battery unit
- Compatible with CNX and Service APP: control of stored operational data, settings and control functions

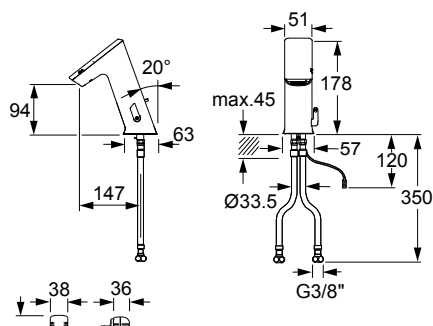
Solar: Photovoltaic cell in combination with 4x1,5 V Alkaline AA batteries (support batteries) commercial; life time up to 8 years

Operating pressure: 0,3-10 bar  
 Flow rate: Approx. 6 l/min (3 bar)  
 Water temperature (max.): 80 °C  
 Aerator: Aerator RC  
 Flexible hoses: 350 mm  
 Angle valve connection: G 3/8  
 Built-in filters: 0,5 mm mesh size  
 Sensor sensitivity: Automatic self-adapting sensor technology  
 Follow-up time: 1 s pre-set (adjustable with Touch 0-10 s)  
 Continuous water flow and hygienic flush time: 2 min pre-set (adjustable with Touch 0,5-20 min)  
 Temporary-off: 2 min (fixed)  
 Engineering standards: DIN EN 200; CE

**Optional:** Valve unit with multi laminar spray head 2 l/min (see accessories)

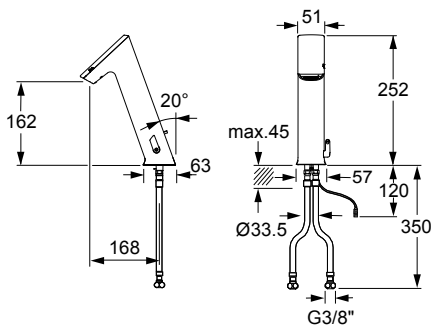
**Note:** When integrated into the CNX Water Management System, the CNX Converter 6 V must be ordered separately.

When using the Service APP, the BLE Converter must be ordered separately.



Power supply	Drain assembly	Colour	Article number
Solar	Without	Chrom	<b>162.108.11</b>
	With	Chrom	<b>162.109.11</b>

# ultra lavatory faucet GH10 PUBLIC



## ultra lavatory faucet GH10 PUBLIC, with IR sensor, with temperature-mixing, chromed

Touchless, electronically controlled lavatory faucet:

- Modular single-piece design without separate installation box, sturdy metal housing, chromed
- Dual infrared sensors (with automatic setting feature), microprocessor
- Reliable solenoid valve ROBUST (minimal level of water pressure surge)
- Vandal-resistant aerator (replaceable with integrated tool)
- Hot and cold water supply connection with flexible high-pressure hoses
- Check valves and built-in filters
- Temperature adjustable or fixable (vandal-resistant construction)
- Adjustable hot water limitation (mechanically)
- TwistStop: integrated automatic shut-off for facilitate replacing or cleaning the filter (no shut-off to angle valves required)
- One Tool Service / all system parts accessible from above
- Automatic energy saving function (solar)
- 12 or 24-hour hygienic flush activatable with Touch
- Integrated battery unit
- Compatible with CNX and Service APP: control of stored operational data, settings and control functions

**Battery:** 4x1,5 V Alkaline AA batteries; life time up to 4 years  
**Solar:** Photovoltaic cell in combination with 4x1,5 V Alkaline AA batteries (support batteries) commercial; life time up to 8 years  
**Turbine:** Integrated turbine in combination with 4x1,5 V Alkaline AA batteries (support batteries) commercial; life-time up to 8 years  
**Mains supply:** Plug-in transformer 110-240 V 50-60 Hz / 6 V  
**VARIOconnect:** For single and multiple power supply and data connection (Connection CNX and Service APP - see accessories)

**Operating pressure:** 0,3-10 bar  
**Flow rate:** Approx. 6 l/min (3 bar)  
**Water temperature (max.):** 80 °C  
**Aerator:** Aerator RC  
**Flexible hoses:** 350 mm  
**Angle valve connection:** G 3/8  
**Built-in filters:** 0,5 mm mesh size  
**Sensor sensitivity:** Automatic self-adapting sensor technology  
**Follow-up time:** 1 s pre-set (adjustable with Touch 0-10 s)  
**Continuous water flow and hygienic flush time:** 2 min pre-set (adjustable with Touch 0,5-20 min)  
**Temporary-off:** 2 min (fixed)  
**Engineering standards:** DIN EN 200; CE

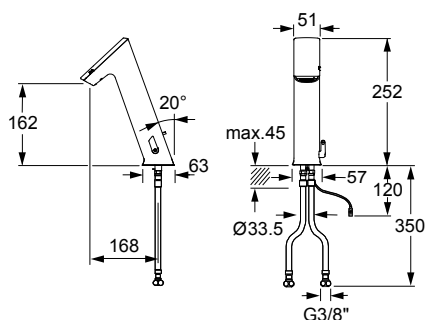
**Optional:** Valve unit with multi laminar spray head 2 l/min (see accessories)

**Note:** When integrated into the CNX Water Management System, the CNX Converter 6 V must be ordered separately.  
 When using the Service APP, the BLE Converter must be ordered separately.

Power supply	Drain assembly	Colour	Article number
Battery	Without	Chrom	<b>163.000.11</b>
Mains operation	Without	Chrom	<b>163.010.11</b>
VARIOconnect	Without	Chrom	<b>163.016.11</b>
Solar	Without	Chrom	<b>163.008.11</b>
Turbine	Without	Chrom	<b>163.068.11</b>

Faucets electronic

## ultra lavatory faucet GH10 EXPERT



## ultra lavatory faucet GH10 EXPERT, with IR sensor, with temperature-mixing, solar, chromed

Touchless, electronically controlled lavatory faucet:

- Continuous water flow via integrated piezo button
- Modular single-piece design without separate installation box, sturdy metal housing, chromed
- LCD display: shows the temperature and water flow time
- Dual infrared sensors (with automatic setting feature), microprocessor
- Reliable solenoid valve ROBUST (minimal level of water pressure surge)
- Vandal-resistant aerator (replaceable with integrated tool)
- Hot and cold water supply connection with flexible high-pressure hose
- Check valves and built-in filters
- Adjustable hot water limitation (mechanically)
- Scald protection adjustable (mechanical)
- TwistStop: integrated automatic shut-off for facilitate replacing or cleaning the filter (no shut-off to angle valves required)
- One Tool Service / all system parts accessible from above
- 12 or 24-hour hygienic flush activatable with Touch
- Automatic energy saving function (solar) and safety shutdown
- Integrated battery unit
- Compatible with CNX and Service APP: control of stored operational data, settings and control functions

Solar: Photovoltaic cell in combination with 4x1,5 V Alkaline AA batteries (support batteries) commercial; life time up to 8 years

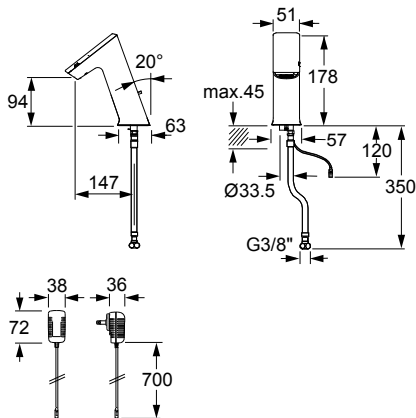
Operating pressure: 0,3-10 bar  
 Flow rate: Approx. 6 l/min (3 bar)  
 Water temperature (max.): 80 °C  
 Aerator: Aerator RC  
 Flexible hoses: 350 mm  
 Angle valve connection: G 3/8  
 Built-in filters: 0,5 mm mesh size  
 Sensor sensitivity: Automatic self-adapting sensor technology  
 Follow-up time: 1 s pre-set (adjustable with Touch 0-10 s)  
 Continuous water flow and hygienic flush time: 2 min pre-set (adjustable with Touch 0,5-20 min)  
 Temporary-off: 2 min (fixed)  
 Engineering standards: DIN EN 200; CE

**Optional:** Valve unit with multi laminar spray head 2 l/min (see accessories)

**Note:** When integrated into the CNX Water Management System, the CNX Converter 6 V must be ordered separately.  
 When using the Service APP, the BLE Converter must be ordered separately.

Power supply	Drain assembly	Colour	Article number
Solar	Without	Chrome	<b>163.108.11</b>

# ultra lavatory faucet GM20 PUBLIC



ultra lavatory faucet GM20 PUBLIC, with IR sensor, without temperature-mixing (for cold or premixed water), PVD

Touchless, electronically controlled lavatory faucet:

- Modular single-piece design without separate installation box, sturdy metal housing, PVD
- Dual infrared sensors (with automatic setting feature), microprocessor
- Reliable solenoid valve ROBUST (minimal level of water pressure surge)
- Vandal-resistant aerator (replaceable with integrated tool)
- Cold water supply connection with flexible hose
- Built-in filter
- TwistStop: integrated automatic shut-off for facilitate replacing or cleaning the filter (no shut-off to angle valves required)
- One Tool Service / all system parts accessible from above
- Automatic energy saving function (solar)
- 12 or 24-hour hygienic flush activatable with Touch
- Integrated battery unit
- Compatible with CNX and Service APP: control of stored operational data, settings and control functions

Battery: 4x1,5 V Alkaline AA batteries; life time up to 4 years  
 Mains supply: Plug-in transformer 110-240 V 50-60 Hz / 6 V  
 VARIOconnect: For single and multiple power supply and data connection (Connection CNX and Service APP - see accessories)

Operating pressure: 0,3-10 bar  
 Flow rate: Approx. 6 l/min (3 bar)  
 Water temperature (max.): 80 °C  
 Aerator: Aerator RC  
 Flexible hose: 350 mm  
 Angle valve connection: G 3/8  
 Built-in filter: 0,5 mm mesh size  
 Sensor sensitivity: Automatic self-adapting sensor technology  
 Follow-up time: 1 s pre-set (adjustable with Touch 0-10 s)  
 Continuous water flow and hygienic flush time: 2 min pre-set (adjustable with Touch 0,5-20 min)  
 Temporary-off: 2 min (fixed)  
 Engineering standards: DIN EN 200; CE

**Optional:** Valve unit with multi laminar spray head 2 l/min (see accessories)

**Note:** When integrated into the CNX Water Management System, the CNX Converter 6 V must be ordered separately.  
 When using the Service APP, the BLE Converter must be ordered separately.

Power supply	Drain assembly	Colour	Article number
Battery	Without	Brushed nickel	<b>162.040.00</b>
		Polished brass	<b>162.040.22</b>
		Brushed chrome	<b>162.040.44</b>
VARIOconnect	Without	Brushed nickel	<b>162.056.00</b>
		Polished brass	<b>162.056.22</b>
		Brushed chrome	<b>162.056.44</b>

Faucets electronic

# ultra lavatory faucet GM10 PUBLIC



ultra lavatory faucet GM10 PUBLIC, with IR sensor, with temperature-mixing, PVD

Touchless, electronically controlled lavatory faucet:

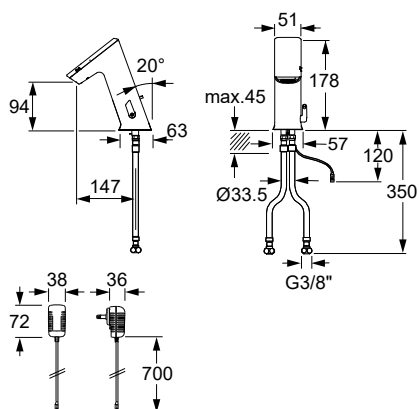
- Modular single-piece design without separate installation box, sturdy metal housing, PVD
- Dual infrared sensors (with automatic setting feature), microprocessor
- Reliable solenoid valve ROBUST (minimal level of water pressure surge)
- Vandal-resistant aerator (replaceable with integrated tool)
- Hot and cold water supply connection with flexible high-pressure hoses
- Check valves and built-in filters
- Temperature adjustable or fixable (vandal-resistant construction)
- Adjustable hot water limitation (mechanically)
- TwistStop: integrated automatic shut-off for facilitate replacing or cleaning the filter (no shut-off to angle valves required)
- One Tool Service / all system parts accessible from above
- Automatic energy saving function (solar)
- 12 or 24-hour hygienic flush activatable with Touch
- Integrated battery unit
- Compatible with CNX and Service APP: control of stored operational data, settings and control functions

Battery: 4x1,5 V Alkaline AA batteries; life time up to 4 years  
 Mains supply: Plug-in transformer 110-240 V 50-60 Hz / 6 V  
 VARIOconnect: For single and multiple power supply and data connection (Connection CNX and Service APP - see accessories)

Operating pressure: 0,3-10 bar  
 Flow rate: Approx. 6 l/min (3 bar)  
 Water temperature (max.): 80 °C  
 Aerator: Aerator RC  
 Flexible hoses: 350 mm  
 Angle valve connection: G 3/8  
 Built-in filters: 0,5 mm mesh size  
 Sensor sensitivity: Automatic self-adapting sensor technology  
 Follow-up time: 1 s pre-set (adjustable with Touch 0-10 s)  
 Continuous water flow and hygienic flush time: 2 min pre-set (adjustable with Touch 0,5-20 min)  
 Temporary-off: 2 min (fixed)  
 Engineering standards: DIN EN 200; CE


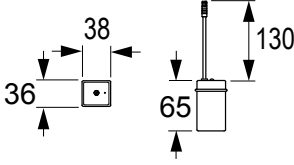
**Optional:** Valve unit with multi laminar spray head 2 l/min (see accessories)

**Note:** When integrated into the CNX Water Management System, the CNX Converter 6 V must be ordered separately.  
 When using the Service APP, the BLE Converter must be ordered separately.



Power supply	Drain assembly	Colour	Article number
Battery	Without	Brushed nickel	<b>162.000.00</b>
		Polished brass	<b>162.000.22</b>
		Brushed chrome	<b>162.000.44</b>
VARIOconnect	Without	Brushed nickel	<b>162.016.00</b>
		Polished brass	<b>162.016.22</b>
		Brushed chrome	<b>162.016.44</b>

## Accessories for ultra lavatory faucets

		<p><b>Battery box for ultra GS</b> External battery box for ultra GS (suitable only for ultra GS!)</p>
Description	Version	Article number
Battery box for ultra GS	Suitable only for ultra GS!	<b>391.058.00</b>



### CONTI+ Spare parts list

CONTI+ spare parts list for shower- and washrooms for:

- Spare parts
- Accessories and optional functions
- Exploded assembly drawings

Download:

[https://conti.plus/fileadmin/conti.plus/world/downloads/SPARE-PARTS-Catalouge\\_EN.pdf](https://conti.plus/fileadmin/conti.plus/world/downloads/SPARE-PARTS-Catalouge_EN.pdf)



Installation and maintenance videos:

<https://www.youtube.com/channel/UCMd3Te3wmkiuhkgG8GPaLQQ>





NEW

## CONTI+ lino PRIMUS

---

### Intelligent electronics for washbasin faucets

Our new CONTI+ lino PRIMUS faucet L40 brings you a washbasin faucet with an entirely unique hygiene function: the proportional valve technology of the electronically controlled thermostat enables separate flushing of cold, mixed and hot water (in combination with the CONTI+ CNX Water Management System or the CONTI+ Service APP). In addition to sanitary rinsing and thermal disinfection (hot water), separate flushing of the cold water line can therefore also be carried out.

As a result, this technology – an in-house development – can almost completely rule out the possibility of microbiological contamination of the drinking water.

If the faucet is connected to the CNX Water Management System or the CONTI+ Service APP, the flushes can be programmed, controlled and logged accordingly. A further benefit is that the sensor sensitivity, the water run-on time, and the running time and intervals of the sanitary rinse can also be activated and adjusted via these systems.

Thanks to its clear design language with high recognition value, the CONTI+ lino PRIMUS upright faucet makes an excellent combination with other fittings in the lino portfolio. The faucet can therefore be easily integrated into existing systems with no visual discrepancies.

The CONTI+ lino PRIMUS upright faucet is ideal for public, semi-public and commercial environments, as these areas have to meet particularly high standards of functional safety, as well as hygiene and maintenance.



# CONTI+ lino PRIMUS L40

NEW: Technology plus safety

CONTI+ lino PRIMUS upright faucet L40  
Touch-free, electronically controlled  
thermostatic washbasin faucet,  
mains operation, chrome plated

Economy  
aerator  
Self-cleaning

Infrared sensor technology  
with fully automatic  
self-calibration

Faucet management  
with integration into the CNX  
Water Management System and  
control via the Service APP

Thermostat-E  
Fully electronic mixer (free of  
dead space), enables separate  
cold water flushing, sanitary  
rinsing and thermal disinfection  
(hot water) with selectable target  
temperature

Hot water connection  
with flexible hose  
incl. strainers

Click function key  
"Temporary off" (cleaning stop)  
and "continuous on"  
(filling mode) functions, sensor  
sensitivity, water run-on time,  
sanitary rinse time and intervals  
of 12, 24 or 48 hours can be  
activated and adjusted

Temperature adjustment lever  
for electronic mixer

Thermostat-E electronic mixer (box)  
for temperature control in installation under the countertop  
(on hanger bolts or mounting set)

Electronic motorised  
temperature and volume control

Safety shutdown if the  
cold water supply fails  
(electronic anti-scalding protection  
based on DIN EN 1111)

Cold water connection  
with flexible hose incl. strainers

Faucets  
electronic



CONTI 



# lino PRIMUS upright faucet L40

**NEW**



lino PRIMUS upright faucet L40, with IR Sensor and electronic mixing unit Thermostat-E, with separate cold water flush, hygienic flush and thermal disinfection

- Touchless electronically controlled thermostatic washbasin tap
- Infrared sensor system with fully automatic self-measurement
  - Electronic mixing unit Thermostat-E for temperature control as under-table installation on hanger bolts or mounting set
  - Temperature and volume regulating servomotors
  - Electronic scald protection according to DIN EN 1111
  - Separate cold, mixed and hot water Hygienic flushing via Service APP or integration in CNX Water Management System including documentation
  - Connection of cold and hot water, with flexible hoses incl. dirt strainer
  - With function key Click short-off (cleaning stop) and continuous-on (filling mode), sensor sensitivity, economy jet regulator (self-cleaning)
  - Control via service APP possible
  - Integration into CNX Water Management System possible

Mains surface-mounted: plug-in power supply unit 230 V / 12 V

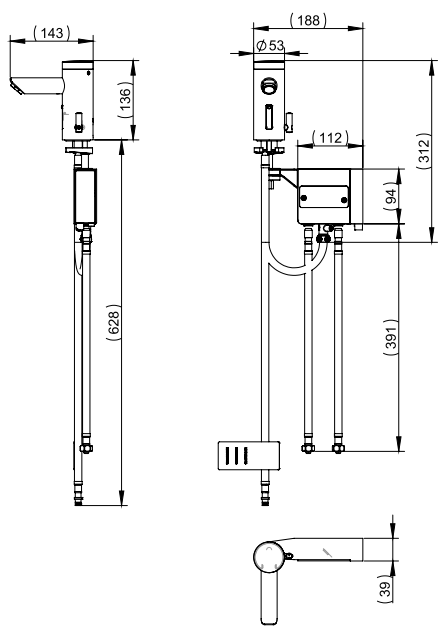
Operating pressure: 0.3-10 bar  
 Flow rate (approx.): 3.8 l/min (3 bar)  
 Water temperature input (max.): 80 °C  
 Temperature limit (max.): 42 °C  
 Pressure hoses: 350 mm  
 Angle valve connections: G 3/8"  
 Dirt sieves: 0.5 mm mesh size  
 Water run-on time: 1 s preset, adjustable with function key 0-12 s permanent on-running time and hygiene flushing running time: set, with function key 0.5-20 min

Electronic scald protection: In case of cold water pipe malfunction, the water flow is stopped when the temperature reaches 48 °C (factory setting - adjustable via service APP and CNX, pay attention to maximum water temperature).

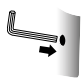

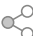
Cleaning stop: 2 min fixed  
 Standards: DIN EN 200, noise class I, P-IX 9575 / IA,CE

**Note:** When integrated into the CNX Water Management System, the CNX Converter 6 V must be ordered separately.

When using the Service APP, the BLE Converter must be ordered separately.



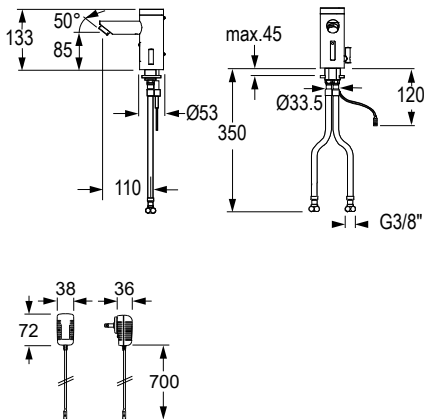
Faucets electronic

Version		 Function key Click	
Power supply	Drain assembly	Colour	Article number
 Mains	 Without	Chrome	<b>CONE8150308538</b>

CONTI 



# lino AS lavatory faucet L13 with thermostatic anti-scalding



## lino AS lavatory faucet L13 with thermostatic anti-scalding

Touchless, electronically controlled lavatory faucet, IR sensors, chromed

- With automatic setting feature
- Thermostatic temperature adjusting
- Thermostatic anti-scalding function following standard EN 1111
- Hot and cold water supply connection with flexible high-pressure hoses, check valves and built-in filters.  
Note: water supply hot/cold must be installed crosswise
- Reliable solenoid valve ROBUST
- Economic aerator CASCADE self-cleaning
- With function key Click for adjusting temporary-off (cleaning) and continuous water flow time (filling basin) sensor sensitivity, continuous water flow time and hygienic flush time, follow-up time, and 12-, 24- or 48-hour hygienic flush
- Compatible with CNX and Service APP: control of stored operational data, settings and control functions

### Technical data:

Battery: 6 V Lithium CRP2, life time up to 4 years  
Mains surface-mounted: plug-in power supply unit

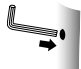



Operating pressure: 0,3-10 bar  
Flow rate (approx.): 6 l/min / 1,6 gpm (3 bar)  
Water temperature (max.): 80 °C  
Flexible hoses: 350 mm  
Angle valve connection: G 3/8  
Built-in filters: 0,5 mm mesh size  
Follow-up time: 1 s pre-set adjustable with function key 0-10 s  
Continuous water flow and hygienic flush time: 2 min pre-set adjustable with function key Click 0,5-20 min  
Temporary-off: 2 min fixed  
Standards: DIN EN 200; Noise class I, P-IX 9575 / IA, CE

### Note:

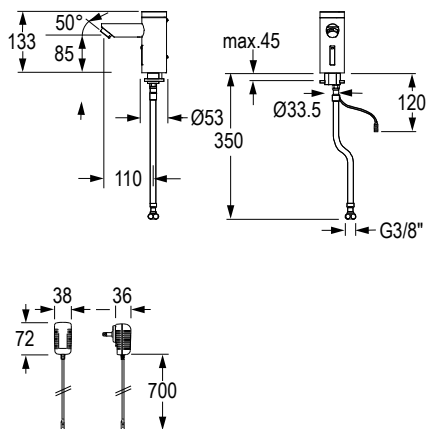
When integrated into the CNX Water Management System, the CNX Converter 6 V must be ordered separately.

When using the Service APP, the BLE Converter must be ordered separately.

Faucets electronic

Version		 Function key Click	
Stromversorgung	Drain assembly	Colour	Article number
 Battery	Without	Chrome	<b>CONE8150208100</b>
 Mains	 Without	Chrome	<b>CONE8150208200</b>

# lino lavatory faucet L20



## lino lavatory faucet L20, with IR sensor, without temperature-mixing (for cold or premixed water), chromed

Touchless, electronically controlled lavatory faucet:

- Modular single-piece design without separate installation box, sturdy brass housing, chromed
- Infrared sensors with automatic setting feature, microprocessor
- Reliable solenoid valve ROBUST (minimal level of water pressure surge) and economic aerator
- Cold water supply connection with flexible hose, built-in filter
- Temporary-off (cleaning) and continuous water flow time (filling of basin) activated by Click-plus
- Continuous water flow time and hygienic flush time adjustable with function key
- Follow-up time and sensor sensitivity adjustable with function key
- 12, 24 or 48-hour hygienic flush activatable with function key
- Installation similar to conventional single-lever faucet
- Compatible with CNX and Service APP: control of stored operational data, settings and control functions


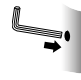





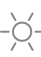
Click: Recessed function key - without additional functions  
 Click-plus: Protruding function key Click-plus (continuous-on, temporary-off)  
 Battery: 6 V Lithium CRP2 - commercial; life time up to 4 years  
 Solar: Photovoltaic cells with 6 V Lithium CRP2 (support batteries) commercial - life-time up to 6 years  
 Mains supply: Plug-in transformer 110-240 V 50/60 Hz / 6 V  
 VARIOconnect: For single and multiple power supply and data connection (Connection CNX and Service APP - see accessories)

Operating pressure: 0,3-10 bar  
 Flow rate: Approx. 6 l/min / 1,6 gpm (3 bar)  
 Water temperature (max.): 80 °C  
 Aerator: Economic aerator, CASCADE (self-cleaning)  
 Flexible hose: 350 mm  
 Angle valve connection: G 3/8  
 Built-in filter: 0,5 mm mesh size  
 Sensor sensitivity: Automatic self-adapting sensor technology  
 Follow-up time: 1 s pre-set (adjustable with function key 0-10 s)  
 Continuous water flow and hygienic flush time: 2 min pre-set (adjustable with function key 0,5-20 min)  
 Temporary-off: 2 min (fixed)  
 Engineering standards: DIN EN 200; Noise class I; P-IX 9575 / IA; C€

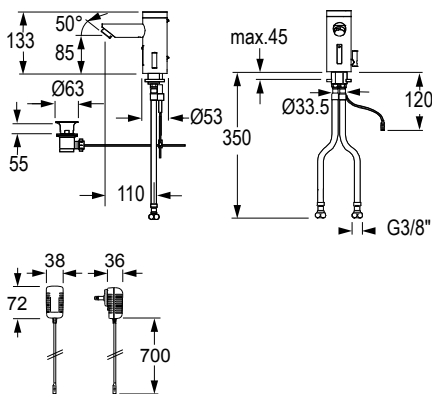
**Optional:** Extension kit for countertop basins (see accessories)

**Note:** When integrated into the CNX Water Management System, the CNX Converter 6 V must be ordered separately.

When using the Service APP, the BLE Converter must be ordered separately.

Versions		 Function key Click-plus	 Function key Click
Power supply	Drain assembly	Article number	Article number
 Battery	Without	<b>120.140.11</b>	<b>120.040.11</b>
 Mains operation 	Without	<b>120.150.11</b>	<b>120.050.11</b>
 VARIOconnect 	Without	<b>120.156.11</b>	<b>120.056.11</b>
 Solar	Without	<b>120.148.11</b>	<b>120.048.11</b>

# lino lavatory faucet L10



## lino lavatory faucet L10, with IR sensor, with temperature-mixing, chromed

Touchless, electronically controlled lavatory faucet:

- Modular single-piece design, without separate installation box, sturdy brass housing, chromed
- Infrared sensors with automatic setting feature, microprocessor
- Reliable solenoid valve ROBUST (minimal level of water pressure surge) and economic aerator
- Hot and cold water supply connection with flexible high-pressure hoses
- Check valves and built-in filters
- Temperature adjustable or fixable (vandal-resistant construction)
- Adjustable hot water limitation (mechanically)
- Temporary-off (cleaning) and continuous water flow time (filling of basin) activated by Click-plus
- Continuous water flow time and hygienic flush time adjustable with function key
- Follow-up time and sensor sensitivity adjustable with function key
- 12, 24 or 48-hour hygienic flush activatable with function key
- Installation similar to conventional single-lever faucets
- Compatible with CNX and Service APP: control of stored operational data, settings and control functions

Click: Recessed function key - without additional functions  
 Click-plus: Protruding function key Click-plus (continuous-on, temporary-off)  
 Battery: 6 V Lithium CRP2 - commercial; life time up to 4 years  
 Solar: Photovoltaic cells with 6 V Lithium CRP2 (support batteries) commercial - life-time up to 6 years  
 Mains supply: Plug-in transformer 110-240 V 50/60 Hz / 6 V  
 VARIOconnect: For single and multiple power supply and data connection (Connection CNX and Service APP - see accessories)

Operating pressure: 0,3-10 bar  
 Flow rate (approx.): 6 l/min / 1,6 gpm (3 bar)  
 Water temperature (max.): 80 °C  
 Aerator: Economic aerator, CASCADE (self-cleaning)  
 Flexible hoses: 350 mm  
 Angle valve connection: G 3/8  
 Built-in filters: 0,5 mm mesh size  
 Sensor sensitivity: Automatic self-adapting sensor technology  
 Follow-up time: 1 s pre-set (adjustable with function key 0-10 s)  
 Continuous water flow and hygienic flush time: 2 min pre-set (adjustable with function key 0,5-20 min)  
 Temporary-off: 2 min (fixed)  
 Engineering standards: DIN EN 200; Noise class I; P-IX 9575 / IA; CE

**Optional:** Extension kit for countertop basins (see accessories)

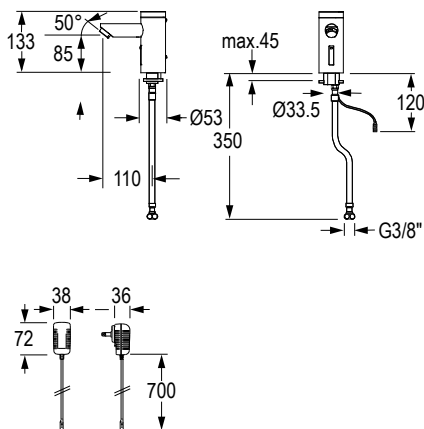
**Note:** When integrated into the CNX Water Management System, the CNX Converter 6 V must be ordered separately.

When using the Service APP, the BLE Converter must be ordered separately.

Versions		Function key Click-plus	Function key Click
Stromversorgung	Drain assembly	Article number	Article number
Battery	Without	<b>120.100.11</b>	<b>120.000.11</b>
	With	<b>120.101.11</b>	<b>120.001.11</b>
Mains operation	Without	<b>120.110.11</b>	<b>120.010.11</b>
	With	<b>120.111.11</b>	<b>120.011.11</b>
VARIOconnect	Without	<b>120.116.11</b>	<b>120.016.11</b>
	With	<b>120.117.11</b>	<b>120.017.11</b>
Solar	Without	<b>120.108.11</b>	<b>120.008.11</b>
	With	<b>120.109.11</b>	<b>120.009.11</b>

Faucets electronic

# lino lavatory faucet L20



lino lavatory faucet L20, with IR sensor, without temperature-mixing (for cold or premixed water), PVD

Touchless, electronically controlled lavatory faucet:

- Modular single-piece design without separate installation box, sturdy brass housing, PVD
- Infrared sensors with automatic setting feature, microprocessor
- Reliable solenoid valve ROBUST (minimal level of water pressure surge) and economic aerator
- Cold water supply connection with flexible hose, built-in filter
- Continuous water flow time and hygienic flush time adjustable with function key
- Follow-up time and sensor sensitivity adjustable with function key
- 12, 24 or 48-hour hygienic flush activatable with function key
- Installation similar to conventional single-lever faucet
- Compatible with CNX and Service APP: control of stored operational data, settings and control functions

Click: Recessed function key - without additional functions  
 Battery: 6 V Lithium CRP2 - commercial; life time up to 4 years  
 Mains supply: Plug-in transformer 110-240 V 50/60 Hz / 6 V  
 VARIOconnect: For single and multiple power supply and data connection (Connection CNX and Service APP - see accessories)

Operating pressure: 0,3-10 bar  
 Flow rate: Approx. 6 l/min / 1,6 gpm (3 bar)  
 Water temperature (max.): 80 °C  
 Aerator: Economic aerator, CASCADE (self-cleaning)  
 Flexible hose: 350 mm  
 Angle valve connection: G 3/8  
 Built-in filter: 0,5 mm mesh size  
 Sensor sensitivity: Automatic self-adapting sensor technology  
 Follow-up time: 1 s pre-set (adjustable with function key 0-10 s)  
 Continuous water flow and hygienic flush time: 2 min pre-set (adjustable with function key 0,5-20 min)  
 Temporary-off: 2 min (fixed)  
 Engineering standards: DIN EN 200; Noise class I; P-IX 9575 / IA; C E

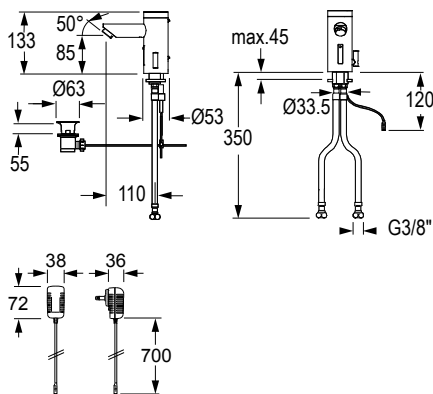
**Note:** When integrated into the CNX Water Management System, the CNX Converter 6 V must be ordered separately.  
 When using the Service APP, the BLE Converter must be ordered separately.

Faucets electronic

Version		Function key Click	
Stromversorgung	Drain assembly	Colour	Article number
Battery	Without	Brushed nickel	<b>120.040.01</b>
		Polished brass	<b>120.040.22</b>
		Brushed chrome	<b>120.040.44</b>
VARIOconnect	Without	Brushed nickel	<b>120.056.00</b>
		Polished brass	<b>120.056.22</b>
		Brushed chrome	<b>120.056.44</b>



# lino lavatory faucet L10



## lino lavatory faucet L10, with IR sensor, with temperature-mixing, PVD

Touchless, electronically controlled lavatory faucet:

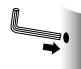









- Modular single-piece design, without separate installation box, sturdy brass housing, PVD
- Infrared sensors with automatic setting feature, microprocessor
- Reliable solenoid valve ROBUST (minimal level of water pressure surge) and economic aerator
- Hot and cold water supply connection with flexible high-pressure hoses
- Check valves and built-in filters
- Temperature adjustable or fixable (vandal-resistant construction)
- Adjustable hot water limitation (mechanically)
- Continuous water flow time and hygienic flush time adjustable with function key
- Follow-up time and sensor sensitivity adjustable with function key
- 12, 24 or 48-hour hygienic flush activatable with function key
- Installation similar to conventional single-lever faucets
- Compatible with CNX and Service APP: control of stored operational data, settings and control functions

Click: Recessed function key - without additional functions  
 Battery: 6 V Lithium CRP2 - commercial; life time up to 4 years  
 Mains supply: Plug-in transformer 110-240 V 50/60 Hz / 6 V  
 VARIOconnect: For single and multiple power supply and data connection (Connection CNX and Service APP - see accessories)

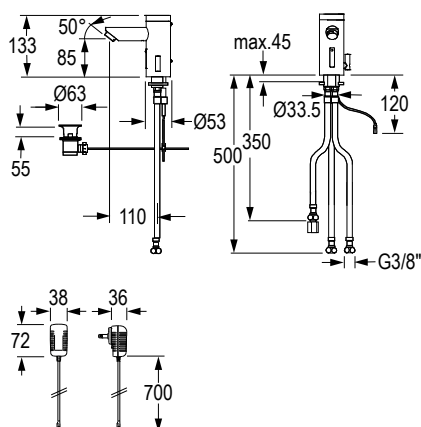
Operating pressure: 0,3-10 bar  
 Flow rate (approx.): 6 l/min / 1,6 gpm (3 bar)  
 Water temperature (max.): 80 °C  
 Aerator: Economic aerator, CASCADE (self-cleaning)  
 Flexible hoses: 350 mm  
 Angle valve connection: G 3/8  
 Built-in filters: 0,5 mm mesh size  
 Sensor sensitivity: Automatic self-adapting sensor technology  
 Follow-up time: 1 s pre-set (adjustable with function key 0-10 s)  
 Continuous water flow and hygienic flush time: 2 min pre-set (adjustable with function key 0,5-20 min)  
 Temporary-off: 2 min (fixed)  
 Engineering standards: DIN EN 200; Noise class I; P-IX 9575 / IA; C E

**Note:** When integrated into the CNX Water Management System, the CNX Converter 6 V must be ordered separately.  
 When using the Service APP, the BLE Converter must be ordered separately.

Faucets electronic

Version		Function key Click 	
Stromversorgung	Drain assembly	Colour	Article number
 Battery	Without	 Brushed nickel	<b>120.000.01</b>
		 Polished brass	<b>120.000.22</b>
		 Brushed chrome	<b>120.000.44</b>
 VARIOconnect 	Without	 Brushed nickel	<b>120.016.00</b>
		 Polished brass	<b>120.016.22</b>
		 Brushed chrome	<b>120.016.44</b>

# lino lavatory faucet L30



lino lavatory faucet L30, with IR sensor, with temperature-mixing, low pressure (for open water heater), chromed


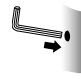



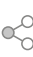

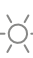
Touchless, electronically controlled lavatory faucet:

- Modular single-piece design without separate installation box, sturdy brass housing, chromed
- Infrared sensors with automatic setting feature, microprocessor
- Reliable solenoid valve ROBUST (minimal level of water pressure surge) and economic aerator
- Cold water supply connection for decentralized water treatment (boiler)
- With flexible high-pressure hoses, flow limiters and built-in filters
- Temperature adjustable or fixable (vandal-resistant construction)
- Adjustable hot water limitation (mechanically)
- Temporary-off (cleaning) and continuous water flow time (filling of basin) activated by Click-plus
- Continuous water flow time and hygienic flush time adjustable with function key
- Follow-up time and sensor sensitivity adjustable with function key
- 12, 24 or 48-hour hygienic flush activatable with function key
- Installation similar to conventional single-lever faucet
- Compatible with CNX and Service APP: control of stored operational data, settings and control functions

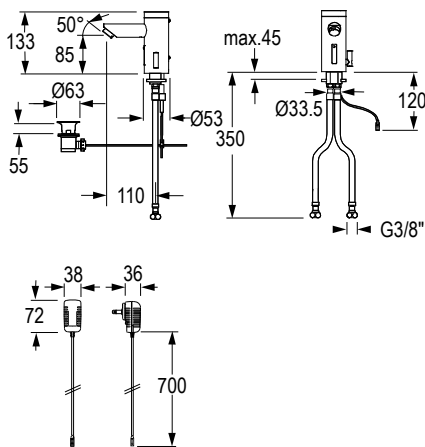
Click: Recessed function key - without additional functions  
 Click-plus: Protruding function key Click-plus (continuous-on, temporary-off)  
 Battery: 6 V Lithium CRP2 - commercial; life time up to 4 years  
 Solar: Photovoltaic cells with 6 V Lithium CRP2 (support batteries) commercial life-time up to 6 years  
 Mains supply: Plug-in transformer 110-240 V 50/60 Hz / 6 V  
 VARIOconnect: For single and multiple power supply and data connection (Connection CNX and Service APP - see accessories)

Operating pressure: 0,3-10 bar  
 Flow rate (approx.): 5 l/min / 1,3 gpm (3 bar)  
 Water temperature (max.): 80 °C  
 Aerator: Flow Straightener, FS Dripless  
 Flexible hoses: 2x500 mm / 1x350 mm  
 Angle valve connection: G 3/8  
 Built-in filters: 0,5 mm mesh size  
 Sensor sensitivity: Automatic self-adapting sensor technology  
 Follow-up time: 1 s pre-set (adjustable with function key 0-10 s)  
 Continuous water flow and hygienic flush time: 2 min pre-set (adjustable with function key 0,5-20 min)  
 Temporary-off: 2 min (fixed)  
 Engineering standards: DIN EN 200; Noise class I; P-IX 9575 / IA; C€

**Note:** When integrated into the CNX Water Management System, the CNX Converter 6 V must be ordered separately.  
 When using the Service APP, the BLE Converter must be ordered separately.

Version		 Function key Click-plus	 Function key Click
Power supply	Drain assembly	Article number	Article number
 Battery	Without	<b>120.120.11</b>	<b>120.020.11</b>
	With	<b>120.121.11</b>	<b>120.021.11</b>
 Mains operation 	Without	<b>120.130.11</b>	<b>120.030.11</b>
	With	<b>120.131.11</b>	<b>120.031.11</b>
 VARIOconnect 	Without	<b>120.136.11</b>	<b>120.036.11</b>
	With	<b>120.137.11</b>	<b>120.037.11</b>
 Solar	Without	<b>120.128.11</b>	<b>120.028.11</b>
	With	<b>120.129.11</b>	<b>120.029.11</b>

# lumino lavatory faucet L10i



## lumino lavatory faucet L10i, with IR sensor, with temperature-mixing, with temperature indication via LED light ring, chromed

Touchless, electronically controlled lavatory faucet:


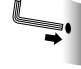


- Modular single-piece design without separate installation box, sturdy brass housing, chromed
- Infrared sensors with automatic setting feature, microprocessor
- Reliable solenoid valve ROBUST (minimal level of water pressure surge) and economic aerator
- Hot and cold water supply connection with flexible high-pressure hoses
- Check valves and built-in filters
- Temperature adjustable or fixable (vandal-resistant construction)
- Adjustable hot water limitation (mechanically)
- Temperature indication via LED light ring
- The colour gradient of the light ring is switchable (red-white-blue or red-violet-blue)
- Ambient illuminating (permanent white light during stand-by) activatable, adjustable luminosity
- calibration of the colour position is adjustable when scald protection is on
- Temporary-off (cleaning) and continuous water flow time (filling of basin) activated by Click-plus
- Continuous water flow time and hygienic flush time adjustable with function key
- Follow-up time and sensor sensitivity adjustable with function key
- 12, 24 or 48-hour hygienic flush activatable with function key
- Installation similar to conventional single-lever faucet
- Compatible with CNX and Service APP: control of stored operational data, settings and control functions

Click: Recessed function key - without additional functions  
 Click-plus: Protruding function key Click-plus (continuous-on, temporary-off)  
 Mains supply: Plug-in transformer 110-240 V 50/60 Hz / 6 V  
 VARIOconnect: For single and multiple power supply and data connection (Connection CNX and Service APP - see accessories)

Operating pressure: 0,3-10 bar  
 Flow rate: Approx. 6,5 l/min / 1,7 gpm (3 bar)  
 Water temperature (max.): 80 °C  
 Aerator: Economic aerator, CASCADE (self-cleaning)  
 Flexible hoses: 350 mm  
 Angle valve connection: G 3/8  
 Built-in filters: 0,5 mm mesh size  
 Sensor sensitivity: Automatic self-adapting sensor technology  
 Follow-up time: 1 s pre-set (adjustable with function key 0-10 s)  
 Continuous water flow and hygienic flush time: 2 min pre-set (adjustable with function key 0,5-20 min)  
 Temporary-off: 2 min (fixed)  
 Engineering standards: DIN EN 200; Noise class I; P-IX 9575 / IA; CE

**Optional:** Extension kit for countertop basins (see accessories)

**Note:** When integrated into the CNX Water Management System, the CNX Converter 6 V must be ordered separately.  
 When using the Service APP, the BLE Converter must be ordered separately.

Version		 Function key Click-plus	 Function key Click
Power supply	Drain assembly	Article number	Article number
 Mains operation 	Without	<b>121.110.11</b>	<b>121.010.11</b>
	With	<b>121.111.11</b>	<b>121.011.11</b>

Faucets electronic

# lumino+ lavatory faucet L10c



lumino+ lavatory faucet L10c, with IR sensor, with electronic instant water heater, with temperature indication via LED light ring, chromed

Touchless, electronically controlled lavatory faucet:

- Modular single-piece design without separate installation box, sturdy brass housing, chromed
- Infrared sensors with automatic setting feature, microprocessor
- Reliable solenoid valve ROBUST (minimal level of water pressure surge) and economic aerator
- Hot and cold water supply connection with flexible high-pressure hoses
- Check valves and built-in filters
- Temperature adjustable or fixable (vandal-resistant construction)
- Adjustable hot water limitation (mechanically)
- Temporary-off (cleaning) and continuous water flow time (filling of basin) activated by Click-plus
- Continuous water flow time and hygienic flush time adjustable with function key
- Follow-up time and sensor sensitivity adjustable with function key
- 12, 24 or 48-hour hygienic flush activatable with function key
- Installation similar to conventional single-lever faucet
- Compatible with Service APP: control of stored operational data, settings and control functions


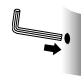


Small size electronic instant water heater:

- Compression proofed construction
- Water supply connection with flexible hose
- Effective bare wire heating system IES®
- Temperature control above lumino lavatory faucet
- Flow rate can be preset inside the unit (38°C pre-set)
- Power rating: MBX3i: 3,5kW (230 V/AC) or MBX7i: 6,5kW (400 V/AC)

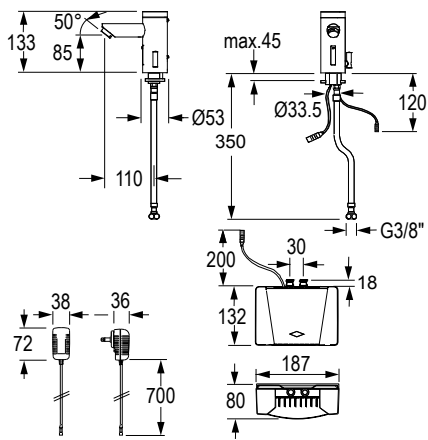
Click: Recessed function key - without additional functions  
 Click-plus: Protruding function key Click-plus (continuous-on, temporary-off)

Mains supply faucet: Plug-in transformer 110-240 V 50-60 Hz / 6 V  
 Mains supply MBX3i: Safety plug 230 V/AC, 3x1,5 mm<sup>2</sup>, 15 A, 3,5 kw 2 plug-ins required, optional accessory double socket  
 Mains supply MBX7i: 2 Phases fixed connection 400 V/AC, 3x2,5 mm<sup>2</sup>, 16 A, 6,5 kW

**Note:** When using the Service APP, the BLE Converter must be ordered separately.

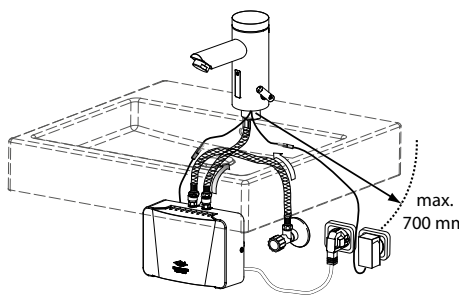
Version		 Function key Click-plus	 Function key Click
Power supply	Drain assembly	Article number	Article number
 Mains supply Clage MBX3i	Without	<b>121.128.11</b>	<b>121.028.11</b>
	With	<b>121.129.11</b>	<b>121.029.11</b>
 Mains supply Clage MBX7i	Without	<b>121.138.11</b>	<b>121.038.11</b>
	With	<b>121.139.11</b>	<b>121.039.11</b>

lumino+ lavatory faucet L10c, with IR sensor, with electronic instant water heater



Technical data of lumino lavatory faucet:

Operating pressure: 0,3-10 bar  
 Flow rate: MBX3i approx. 2 l/min / 0,5 gpm  
 MBX7i approx. 3,7 l/min / 1 gpm  
 Max. water temperature.: 70 °C  
 Aerator: MBX3i spray-head-aerator  
 MBX7i economic aerator  
 Flexible hoses: 350 mm  
 Angle valve connection: G 3/8  
 Filters: 0,5 mm mesh size  
 Sensor sensitivity: automatic self-adapting sensor technology  
 Follow-up time: 1 s pre-set (adjustable with 0-10 s)  
 Continuous water flow and hygienic flush time: 2 min pre-set (adjustable with 0,5-20 min)  
 Temporary-off: 2 min (fixed);  
 Engineering standards: DIN EN 200; Noise class I; P-IX 9575 / IA; CE



Installation example MBX3i

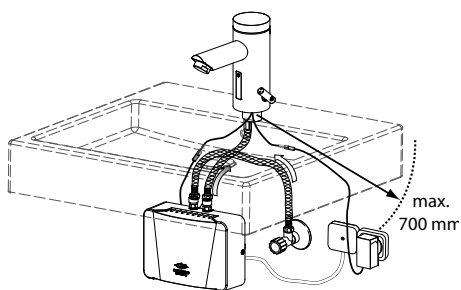
Technical data of electronic instant water heater MBX3i:

Operating pressure: 1-5 bar  
 Rated voltage: 230 VAC  
 Power rating: 3.5 kW  
 Rated current: 15 A  
 Cable size: 1.5 mm<sup>2</sup>  
 Connecting hoses: 1x500 mm  
 Hose connections: G 3/8  
 Inlet temperature: max. 60 °C  
 Protection type/class to VDE: IP24  
 Engineering standards: CE

Max. temperature increase at power rating and flow rate:

2,0 l/min / 0,5 gpm	25 K
2,5 l/min / 0,7 gpm	20 K
3,0 l/min / 0,8 gpm	17 K
3,5 l/min / 0,9 gpm	14 K

Temperature increase (Kelvin) + incoming cold water temperature (°C) = max. hot water temperature



Installation example MBX7i

Technical data of electronic instant water heater MBX7i:


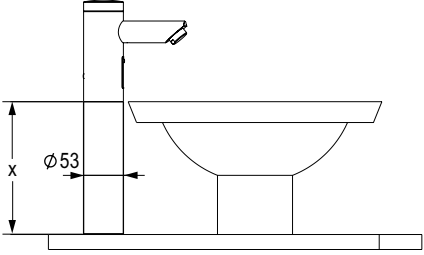
Operating pressure: 1-5 bar  
 Rated voltage: 400 VAC  
 Power rating: 6.5 kW  
 Rated current: 15 A  
 Cable size: 2.5 mm<sup>2</sup>  
 Connecting hoses: 1x500 mm  
 Hose connections: G 3/8  
 Inlet temperature: max. 60 °C  
 Protection type/class to VDE: IP24  
 Engineering standards: CE

Max. temperature increase at power rating and flow rate:

2,0 l/min / 0,5 gpm	46 K
2,5 l/min / 0,7 gpm	37 K
3,0 l/min / 0,8 gpm	31 K
3,5 l/min / 0,9 gpm	26 K

Temperature increase (Kelvin) + incoming cold water temperature (°C) = max. hot water temperature

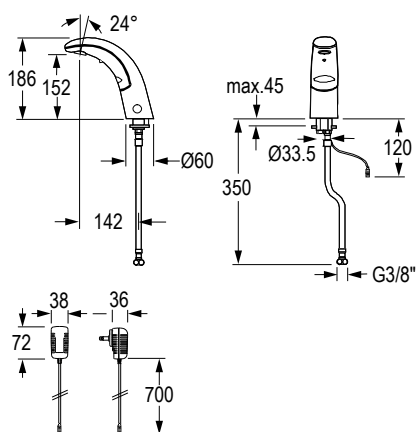
## Accessories lino lavatory faucets

		<p>Faucet extension for lino lavatory faucets</p> <p>Extension suitable for L10, L13, L20, L10i</p> <ul style="list-style-type: none"> <li>• One-piece design without concealed parts</li> <li>• Sturdy brass, chromed</li> </ul> <p>Set consisting of:</p> <ul style="list-style-type: none"> <li>• Extension</li> <li>• Threaded rod</li> <li>• Connection hoses and filters</li> </ul> <p>Only for faucets without drain assembly!</p>	
Description	Length (x)	Colour	Article number
Faucet extension lino	177 mm	Chromed	<b>550.034.11</b>
	56 mm	Chromed	<b>550.034.12</b>

CONTI 



# iQ lavatory faucet A20



## iQ lavatory faucet A20, with IR sensor, without temperature-mixing (for cold or premixed water), chromed

Touchless, electronically controlled lavatory faucet:

- Modular single-piece design without separate installation box, sturdy metal housing, chromed
- Dual infrared sensors (with automatic setting feature), microprocessor
- Reliable solenoid valve ROBUST (minimal level of water pressure surge) and economic aerator
- Cold water supply connection with flexible hose and built-in filter
- Temporary-off (cleaning) and continuous water flow time (filling of basin) activated by Click-plus
- Continuous water flow time and hygienic flush time adjustable with function key
- Follow-up time and sensor sensitivity adjustable with function key
- 12, 24 or 48-hour hygienic flush activatable with function key
- Installation similar to conventional single-lever faucet
- Compatible with CNX and Service APP: Control of stored operational data, settings and control functions

Click: Recessed function key - without additional functions  
 Click-plus: Protruding function key Click-plus (continuous-on, temporary-off)  
 Battery: 6 V Lithium 2 CR5 - commercial; life time up to 4 years  
 Mains supply: Plug-in transformer 110-240 V 50-60 Hz / 6 V  
 VARIOconnect: For single and multiple power supply and data connection (Connection CNX and Service APP - see accessories)

Operating pressure: 0,3-10 bar  
 Flow rate (approx.): 6 l/min / 1,6 gpm (3 bar)  
 Water temperature (max.): 80 °C  
 Aerator: Economic aerator, CASCADE (self-cleaning)  
 Flexible hose: 350 mm  
 Angle valve connection: G 3/8  
 Built-in filter: 0,5 mm mesh size  
 Sensor sensitivity: Automatic self-adapting sensor technology  
 Follow-up time: 1 s pre-set (adjustable with function key 0-10 s)  
 Continuous water flow and hygienic flush time: 2 min pre-set (adjustable with function key 0,5-20 min)  
 Temporary-off: 2 min (fixed)  
 Engineering standards: DIN EN 200; Noise class I; P-IX 9576 / IA; CE

**Note:** When integrated into the CNX Water Management System, the CNX Converter 6 V must be ordered separately.  
 When using the Service APP, the BLE Converter must be ordered separately.  
 Only possible with mains and VARIOconnect versions.

Version		Function key Click-plus	Function key Click
Power supply	Drain assembly	Article number	Article number
Battery	Without	<b>100.140.11</b>	<b>100.040.11</b>
Mains operation	Without	<b>100.150.11</b>	<b>100.050.11</b>
VARIOconnect	Without	<b>100.156.11</b>	<b>100.056.11</b>



# iQ lavatory faucet A10



## iQ lavatory faucet A10, with IR sensor, with temperature-mixing, chromed

Touchless, electronically controlled lavatory faucet:

- Modular single-piece design without separate installation box, sturdy metal housing, chromed
- Dual infrared sensors (with automatic setting feature), microprocessor
- Reliable solenoid valve ROBUST (minimal level of water pressure surge) and economic aerator
- Hot and cold water supply connection with flexible high-pressure hoses
- Check valves and built-in filters
- Temperature adjustable or fixable (vandal-resistant construction)
- Adjustable hot water limitation (mechanically)
- Temporary-off (cleaning) and continuous water flow time (filling of basin) activated by Click-plus
- Continuous water flow time and hygienic flush time adjustable with function key
- Follow-up time and sensor sensitivity adjustable with function key
- 12, 24 or 48-hour hygienic flush activatable with function key
- Installation similar to conventional single-lever faucet
- Compatible with CNX and Service APP: Control of stored operational data, settings and control functions

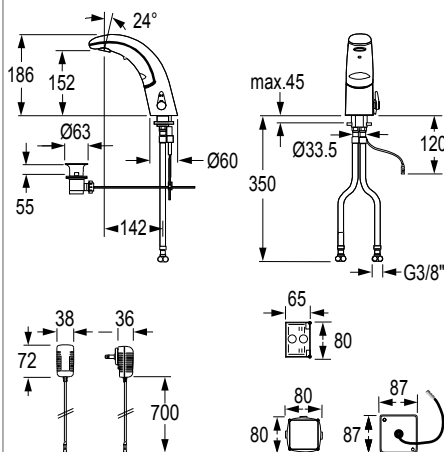
- Click: Recessed function key - without additional functions
- Click-plus: Protruding function key Click-plus (continuous-on, temporary-off)
- Battery: 6 V Lithium 2 CR5 - commercial; life time up to 4 years
- Mains supply: Plug-in transformer 110-240 V 50-60 Hz / 6 V
- Concealed mains supply: flush-mounted power supply 110-240 V 50-60 Hz / 6 V including box and cover
- VARIOconnect: For single and multiple power supply and data connection (Connection CNX and Service APP - see accessories)


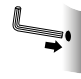


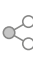

- Operating pressure: 0,3-10 bar
- Flow rate (approx.): 6 l/min / 1,6 gpm (3 bar)
- Water temperature (max.): 80 °C
- Aerator: Economic aerator, CASCADE (self-cleaning)
- Flexible hoses: 350 mm
- Angle valve connection: G 3/8
- Built-in filters: 0,5 mm mesh size
- Sensor sensitivity: Automatic self-adapting sensor technology
- Follow-up time: 1 s pre-set (adjustable with function key 0-10 s)
- Continuous water flow and hygienic flush time: 2 min pre-set (adjustable with function key 0,5-20 min)
- Temporary-off: 2 min (fixed)
- Engineering standards: DIN EN 200; Noise class I; P-IX 9576 / IA;C€

**Note:** When integrated into the CNX Water Management System, the CNX Converter 6 V must be ordered separately.

When using the Service APP, the BLE Converter must be ordered separately.

Only possible with mains and VARIOconnect versions.



Version		 Function key Click-plus	 Function key Click
Power supply	Drain assembly	Article number	Article number
 Battery	Without	<b>100.100.11</b>	<b>100.000.11</b>
	With	<b>100.101.11</b>	<b>100.001.11</b>
 Mains operation	Without	<b>100.110.11</b>	<b>100.010.11</b>
	With	<b>100.111.11</b>	<b>100.011.11</b>
 VARIOconnect	Without	<b>100.116.11</b>	<b>100.016.11</b>
	With	<b>100.117.11</b>	<b>100.017.11</b>
 Concealed mains power supply	Without	<b>100.160.11</b>	<b>100.060.11</b>
	With	<b>100.161.11</b>	<b>100.061.11</b>

Faucets electronic

# iQ lavatory faucet A30



iQ lavatory faucet A30, with IR sensor, low pressure (for open water heater), with temperature-mixing, chromed

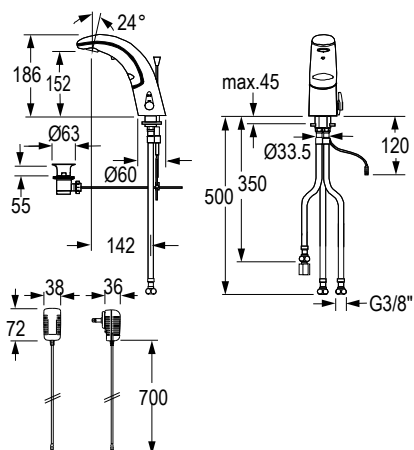
Touchless, electronically controlled lavatory faucet:

- Modular single-piece design without separate installation box, sturdy metal housing, chromed
- Dual infrared sensors (with automatic setting feature), microprocessor
- Reliable solenoid valve ROBUST (minimal level of water pressure surge) and economic aerator, cascade
- Cold water supply connection and decentralized water treatment (boiler)
- With flexible high-pressure hoses, flow limiters and built-in filters
- Temperature adjustable or fixable (vandal-resistant construction)
- Temporary-off (cleaning) and continuous water flow time (filling of basin) activated by Click-plus
- Continuous water flow time and hygienic flush time adjustable with function key
- Follow-up time and sensor sensitivity adjustable with function key
- 12, 24 or 48-hour hygienic flush activatable with function key
- Installation similar to conventional single-lever faucet
- Compatible with CNX and Service APP: Control of stored operational data, settings and control functions

Click: Recessed function key - without additional functions  
 Click-plus: Protruding function key Click-plus (continuous-on, temporary-off)  
 Battery: 6 V Lithium 2 CR5 - commercial; life time up to 4 years  
 Mains supply: Plug-in transformer 110-240 V 50-60 Hz / 6 V  
 VARIOconnect: For single and multiple power supply and data connection (Connection CNX and Service APP - see accessories)

Operating pressure: 0,3-10 bar  
 Flow rate (approx.): 5 l/min / 1,3 gpm (3 bar)  
 Water temperature (max.): 80 °C  
 Aerator: Flow Straightener, FS Dripless  
 Flexible hoses: 2x500 mm / 1x350 mm  
 Angle valve connection: G 3/8  
 Built-in filter: 0,5 mm mesh size  
 Sensor sensitivity: Automatic self-adapting sensor technology  
 Follow-up time: 1 s pre-set (adjustable with function key 0-10 s)  
 Continuous water flow and hygienic flush time: 2 min pre-set (adjustable with function key 0,5-20 min)  
 Temporary-off: 2 min (fixed)  
 Engineering standards: DIN EN 200; Noise class I; P-IX 9576 / IA; CE

**Note:** When integrated into the CNX Water Management System, the CNX Converter 6 V must be ordered separately.  
 When using the Service APP, the BLE Converter must be ordered separately.  
 Only possible with mains and VARIOconnect versions.



Faucets electronic

Versions		Function key Click-plus	Function key Click
Power supply	Drain assembly	Article number	Article number
Battery	Without	<b>100.120.11</b>	<b>100.020.11</b>
	With	<b>100.121.11</b>	<b>100.021.11</b>
Mains operation	Without	<b>100.130.11</b>	<b>100.030.11</b>
	With	<b>100.131.11</b>	<b>100.031.11</b>
VARIOconnect	Without	<b>100.136.11</b>	<b>100.036.11</b>
	With	<b>100.137.11</b>	<b>100.037.11</b>

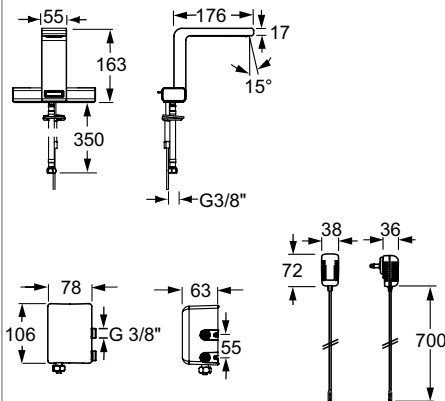
CONTI 



CONTI 



# Senso lavatory faucet



reddot design award  
honourable mention 2010

Senso lavatory faucet, with IR sensor, with electronic mixing, with temperature indication via light-beam, chromed

Touchless, electronically controlled lavatory faucet:

- Modular single-piece design with small external mixer unit on angle valve
- Housing made of brass, chromed
- Reliable solenoid valve ROBUST (minimal level of water pressure surge)
- Cold water supply connection with flexible high-pressure hose
- Adjustable temperature
- Comfort water-saving by sensitive raindrop-aerator
- Light use through mature LED technology
- Illumination of the water jet in white
- Electronically Touch function - easy change of the temperature by touching the button
- Temperature indication through lighted display bar (red, white, blue)
- Changes by touching the button
- Welcome-function (remote detection), light elements flashes white
- Infrared sensors with automatic setting feature, microprocessor
- Follow-up time and sensor sensitivity adjustable
- Installation similar to conventional single-lever faucet

Mains supply: Plug-in transformer 110-240 V 50-60 Hz / 6 V

Operating pressure: 0,3-10 bar;  
Flow rate (approx.): 2 l/min / 0,5 gpm 2-row jet piece (3 bar) (delivery status)  
Approx. 4 l/min / 0,5 gpm 3-row jet piece (3 bar)

Water temperature (max.): 80 °C  
Aerator: Raindrop-aerator  
Flexible hoses: 350 mm  
Angle valve connection: G 3/8  
Built-in filters: 0,5 mm mesh size  
Sensor sensitivity: Automatic self-adapting sensor technology  
Follow-up time: 2 s pre-set (1-7 s adjustable)  
Continuous water flow: 2 min pre-set (1-7 min adjustable)  
Temporary-off: 2 min (1-7 min adjustable)  
Engineering standards: DIN EN 200; CE

Faucets  
electronic

Power supply	Drain assembly	Colour	Article number
Mains supply	Without	Chrome	<b>155.010.11</b>

# loopino lavatory faucet G20



## loopino lavatory faucet G10, with IR sensor, without temperature-mixing (for cold or premixed water), chromed

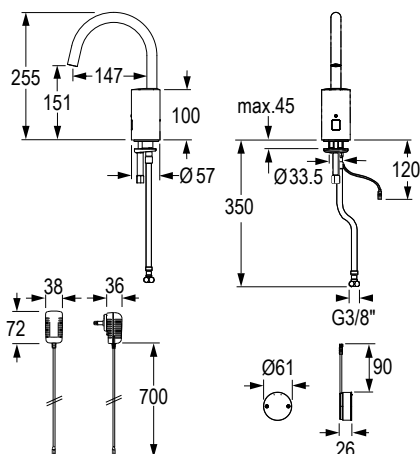
Touchless, electronically controlled lavatory faucet:

- Modular single-piece design without separate installation box, sturdy brass housing, chromed
- Dual infrared sensors (with automatic setting feature), microprocessor
- Reliable solenoid valve ROBUST (minimal level of water pressure surge) and economic aerator
- Cold water supply connection with flexible hose, built-in filter
- Theft-proof battery box below the washbasin
- Temporary-off (cleaning) and continuous water flow time (filling of basin) activated by Click-plus
- Continuous water flow time and hygienic flush time adjustable with function key
- Follow-up time and sensor sensitivity adjustable with function key
- 12, 24 or 48-hour hygienic flush activatable with function key
- Installation similar to conventional single-lever faucet
- Compatible with CNX and Service APP: Control of stored operational data, settings and control functions

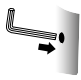




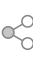

Click: Recessed function key - without additional functions  
 Battery: 6 V Lithium CRP2 - commercial; life time up to 4 years  
 Mains supply: Plug-in transformer 110-240 V 50-60 Hz / 6 V  
 VARIOconnect: For single and multiple power supply and data connection (Connection CNX and Service APP - see accessories)

Operating pressure: 0,3-10 bar  
 Flow rate (approx.): 6 l/min / 1,6 gpm (3 bar)  
 Water temperature (max.): 80 °C  
 Aerator: Aerator CACHÉ  
 Flexible hose: 350 mm  
 Angle valve connection: G 3/8  
 Built-in filter: 0,5 mm mesh size  
 Sensor sensitivity: Automatic self-adapting sensor technology  
 Follow-up time: 1 s pre-set (adjustable with function key 0-10 s)  
 Continuous water flow and hygienic flush time: 2 min pre-set (adjustable with function key 0,5-20 min)  
 Temporary-off: 2 min (fixed)  
 Engineering standards: DIN EN 200; **CE**

**Note:** When integrated into the CNX Water Management System, the CNX Converter 6 V must be ordered separately.  
 When using the Service APP, the BLE Converter must be ordered separately.  
 Spout NOT swivelable



Faucets electronic

Version		 Function key Click	
Power supply	Drain assembly	Colour	Article number
 Battery 	Without	Chrome	<b>150.040.11</b>
 Mains operation 	Without	Chrome	<b>150.050.11</b>
 VARIOconnect 	Without	Chrome	<b>150.056.11</b>

# loopino lavatory faucet G10



## loopino lavatory faucet G10, with IR sensor, with temperature-mixing, chromed

Touchless, electronically controlled lavatory faucet:

- Modular single-piece design without separate installation box, sturdy brass housing, chromed
- Dual infrared sensors (with automatic setting feature), microprocessor
- Reliable solenoid valve ROBUST (minimal level of water pressure surge) and economic aerator
- Hot and cold water supply connection with flexible hoses
- Check valves and built-in filters
- Theft-proof battery box below the washbasin
- Temperature adjustable or fixable (vandal-resistant construction)
- Adjustable hot water limitation (mechanically)
- Temporary-off (cleaning) and continuous water flow time (filling of basin) activated by Click-plus
- Continuous water flow time and hygienic flush time adjustable with function key
- Follow-up time and sensor sensitivity adjustable with function key
- 12, 24 or 48-hour hygienic flush activatable with function key
- Installation similar to conventional single-lever faucet
- Compatible with CNX and Service APP: Control of stored operational data, settings and control functions

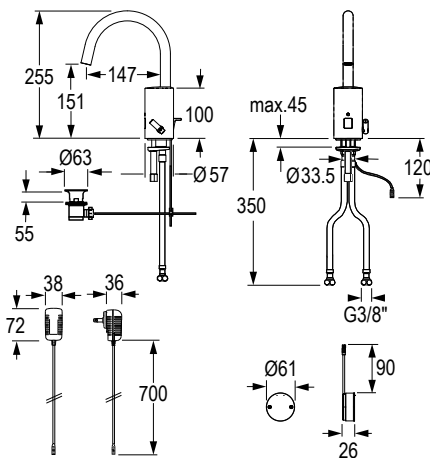
Click: Recessed function key - without additional functions  
 Click-plus: Protruding function key Click-plus (continuous-on, Temporary-off)  
 Battery: 6 V Lithium CRP2 - commercial; life time up to 4 years  
 Mains supply: Plug-in transformer 110-240 V 50-60 Hz / 6 V  
 VARIOconnect: For single and multiple power supply and data connection (Connection CNX and Service APP - see accessories)

Operating pressure: 0,3-10 bar  
 Flow rate (approx.): 6 l/min / 1,6 gpm (3 bar)  
 Water temperature (max.): 80 °C  
 Aerator: Aerator CACHÉ  
 Flexible hoses: 350 mm  
 Angle valve connection: G 3/8  
 Built-in filters: 0,5 mm mesh size  
 Sensor sensitivity: Automatic self-adapting sensor technology  
 Follow-up time: 1 s pre-set (adjustable with function key 0-5 s)  
 Continuous water flow and hygienic flush time: 2 min pre-set (adjustable with function key 0,5-20 min)  
 Temporary-off: 2 min (fixed)  
 Engineering standards: DIN EN 200; CE

**Note:** When integrated into the CNX Water Management System, the CNX Converter 6 V must be ordered separately.

When using the Service APP, the BLE Converter must be ordered separately.

Spout NOT swivelable



Faucets electronic

Version		Function key Click-plus	Function key Click
Power supply	Drain assembly	Article number	Article number
Battery	Without		<b>150.000.11</b>
	With	<b>150.101.11</b>	
Mains operation	Without		<b>150.010.11</b>
	With	<b>150.111.11</b>	
VARIOconnect	Without		<b>150.016.11</b>

# loopino lavatory faucet G30



loopino lavatory faucet G30, with IR sensor, with temperature-mixing, low pressure (for open water heater), chromed

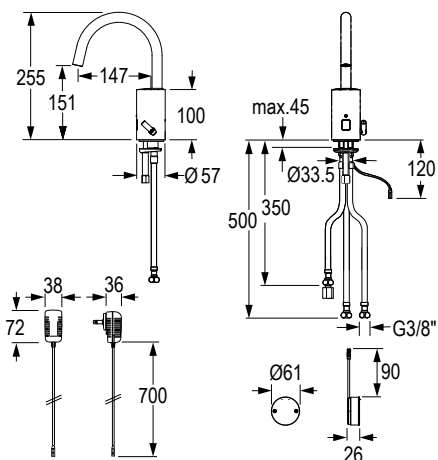
Touchless, electronically controlled lavatory faucet:

- Modular single-piece design without separate installation box, sturdy brass housing, chromed
- Dual infrared sensors (with automatic setting feature), microprocessor
- Reliable solenoid valve ROBUST (minimal level of water pressure surge) and economic aerator
- Cold water supply connection for decentralized water treatment (boiler)
- With flexible high-pressure hoses, flow limiters and built-in filters
- Temperature adjustable or fixable (vandal-resistant construction)
- Adjustable hot water limitation (mechanically)
- Theft-proof battery box below the washbasin
- Temporary-off (cleaning) and continuous water flow time (filling of basin) activated by Click-plus
- Continuous water flow time and hygienic flush time adjustable with function key
- Follow-up time and sensor sensitivity adjustable with function key
- 12, 24 or 48-hour hygienic flush activatable with function key
- Installation similar to conventional single-lever faucet
- Compatible with CNX and Service APP: Control of stored operational data, settings and control functions

Click: Recessed function key - without additional functions  
 Battery: 6 V Lithium CRP2 - commercial; life time up to 4 years  
 Mains supply: Plug-in transformer 110-240 V 50-60 Hz / 6 V

Operating pressure: 0,3-10 bar  
 Flow rate (approx.): 5 l/min / 1,3 gpm (3 bar)  
 Water temperature (max.): 80 °C  
 Aerator: Aerator CACHÉ  
 Flexible hoses: 2x500 mm / 1x350 mm  
 Angle valve connection: G 3/8  
 Built-in filters: 0,5 mm mesh size  
 Sensor sensitivity: Automatic self-adapting sensor technology  
 Follow-up time: 1 s pre-set (adjustable with function key 0-10 s)  
 Continuous water flow and hygienic flush time: 2 min pre-set (adjustable with function key 0,5-20 min)  
 Temporary-off: 2 min (fixed)  
 Engineering standards: DIN EN 200; CE

**Note:** When integrated into the CNX Water Management System, the CNX Converter 6 V must be ordered separately.  
 When using the Service APP, the BLE Converter must be ordered separately.  
 Spout NOT swivelable



Faucets electronic

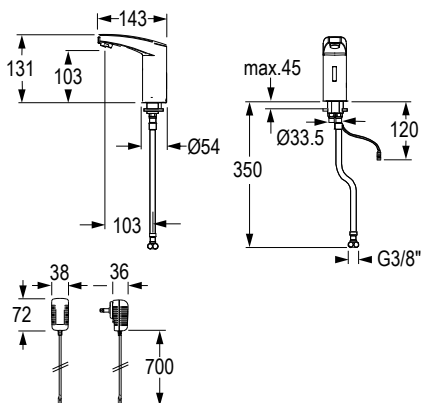
Versions		Function key Click	
Stromversorgung	Drain assembly	Colour	Article number
Battery	Without	Chrome	<b>150.020.11</b>
Mains operation	Without	Chrome	<b>150.030.11</b>



CONTI 



# maxx lavatory faucet M20



maxx lavatory faucet M20, with IR sensor, without temperature-mixing (for cold or premixed water), chromed

Touchless, electronically controlled lavatory faucet:

- Modular single-piece design without separate installation box, sturdy metal housing, chromed
- Integrated battery (maintenance via service cover)
- Infrared sensors with automatic setting feature, microprocessor
- Reliable solenoid valve ROBUST (minimal level of water pressure surge) and economic aerator
- Cold water supply connection with flexible hose and built-in filter
- Temporary-off (cleaning) and continuous water flow time (filling of basin) adjustable with Touch
- Continuous-on and hygienic flush time adjustable with Touch
- Follow-up time, sensor-sensitivity adjustable with Touch
- 12, 24 or 48-hour hygienic flush adjustable with Touch
- Installation similar to conventional single-lever faucet
- Compatible with CNX and Service APP: Control of stored operational data, settings and control functions

Battery: 6 V Lithium CRP2 - commercial; life time up to 4 years  
 Mains supply: Plug-in transformer 110-240 V 50-60 Hz / 6 V  
 VARIOconnect: For single and multiple power supply and data connection (Connection CNX and Service APP - see accessories)

Operating pressure: 0,3-10 bar;  
 Flow rate (approx.): 6 l/min / 1,6 gpm (3 bar)  
 Water temperature (max.): 80 °C  
 Aerator: Economic aerator, CASCADE (self-cleaning)  
 Flexible hose: 350 mm  
 Angle valve connection: G 3/8  
 Built-in filter: 0,5 mm mesh size  
 Sensor sensitivity: Automatic self-adapting sensor technology  
 Follow-up time: 1 s pre-set (adjustable with Touch 0-10 s)  
 Continuous water flow and hygienic flush time: 2 min pre-set (adjustable with Touch 0,5-20 min)  
 Temporary-off: 2 min (fixed);  
 Engineering standards: DIN EN 200; CE

**Note:** When integrated into the CNX Water Management System, the CNX Converter 6 V must be ordered separately.  
 When using the Service APP, the BLE Converter must be ordered separately.  
 Only possible with mains and VARIOconnect versions.

Power supply	Drain assembly	Colour	Article number
Battery	Without	Chrome	<b>131.040.11</b>
Mains operation	Without	Chrome	<b>131.050.11</b>
VARIOconnect	Without	Chrome	<b>131.056.11</b>

# maxx lavatory faucet M10



maxx lavatory faucet M10, with IR sensor, with temperature-mixing, chromed

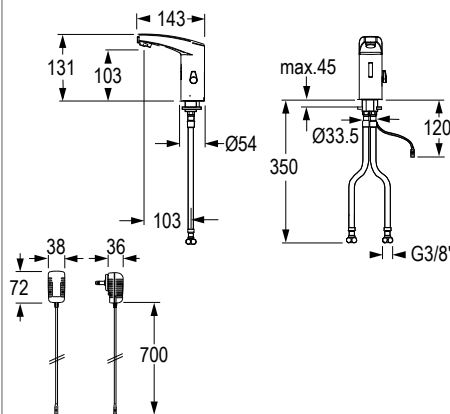
Touchless, electronically controlled lavatory faucet:

- Modular single-piece design without separate installation box, sturdy metal housing, chromed
- Integrated battery (maintenance via service cover)
- Infrared sensors with automatic setting feature, microprocessor
- Reliable solenoid valve ROBUST (minimal level of water pressure surge) and economic aerator
- Hot and cold water supply connection with flexible high-pressure hoses
- Check valves and built-in filters
- Temperature adjustable or fixable (vandal-resistant construction)
- Adjustable hot water limitation (mechanically)
- Temporary-off (cleaning) and continuous water flow time (filling of basin) adjustable with Touch
- Continuous-on and hygienic flush time adjustable with Touch
- Follow-up time, sensor-sensitivity adjustable with Touch
- 12, 24 or 48-hour hygienic flush adjustable with Touch
- Installation similar to conventional single-lever faucet
- Compatible with CNX and Service APP: Control of stored operational data, settings and control functions

Battery: 6 V Lithium CRP2 - commercial; life time up to 4 years  
 Mains supply: Plug-in transformer 110-240 V 50-60 Hz / 6 V  
 VARIOconnect: For single and multiple power supply and data connection (Connection CNX and Service APP - see accessories)

Operating pressure: 0,3-10 bar  
 Flow rate (approx.): 6 l/ min 1,6 gpm (3 bar)  
 Water temperature (max.): 80 °C  
 Aerator: Economic aerator, CASCADE (self-cleaning)  
 Flexible hoses: 350 mm  
 Angle valve connection: G 3/8  
 Built-in filters: 0,5 mm mesh size  
 Sensor sensitivity: Automatic self-adapting sensor technology  
 Follow-up time: 1 s pre-set (adjustable with Touch 0-10 s)  
 Continuous water flow and hygienic flush time: 2 min pre-set (adjustable with Touch 0,5-20 min)  
 Temporary-off: 2 min (fixed)  
 Engineering standards: DIN EN 200; CE


**Note:** When integrated into the CNX Water Management System, the CNX Converter 6 V must be ordered separately.  
 When using the Service APP, the BLE Converter must be ordered separately.  
 Only possible with mains and VARIOconnect versions.



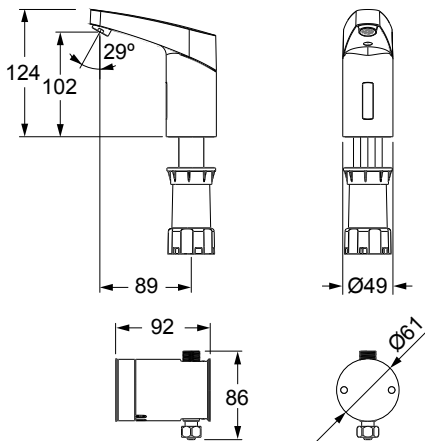
Faucets electronic

Power supply	Drain assembly	Colour	Article number
Battery	Without	Chrome	<b>131.000.11</b>
Mains operation	Without	Chrome	<b>131.010.11</b>
VARIOconnect	Without	Chrome	<b>131.016.11</b>

## Accessories for umaxx lavatory faucet

	<p>Wall mounting kit for external valve unit</p> <p>Set consisting of:</p> <ul style="list-style-type: none"> <li>• 1 Wall bracket HU20</li> <li>• 2 Screws</li> <li>• 1 Armoured hose G 3/8</li> <li>• 1 Twin connector cyl. OD 3/8</li> <li>• Suitable for umaxx, ran</li> </ul>	
Description	Type	Article number
umaxx wall mounting kit for external valve unit	Suitable for umaxx, ran	<b>550.071.00</b>

# umaxx lavatory faucet M21



## umaxx lavatory faucet M21, with IR sensor, without temperature-mixing (for cold or premixed water), chromed

Touchless, electronically controlled lavatory faucet:

- Sturdy metal housing, chromed
- Infrared sensors with automatic setting feature, microprocessor
- Small external hydraulic unit for direct mounting on the angle-stop valve or wall-mounted (optional) with reliable solenoid valve ROBUST (minimal level of water pressure surge) integrated waterproof battery box(in battery operated models only)
- Built-in filter
- Integrated water-resistant battery box, or cable connection for power supply
- Temporary-off (cleaning) and continuous water flow time (filling of basin) adjustable with Touch
- Continuous-on and hygienic flush time with Touch
- Follow-up time, sensor-sensitivity with Touch
- 12, 24 or 48-hour hygienic flush with Touch
- Compatible with Service APP and Service Monitor: control of stored operational data, settings and control functions

Battery: 6 V Lithium CRP2 - commercial, life time up to 4 years  
 Mains supply: Plug-in transformer 110-240 V 50-60 Hz / 6 V  
 VARIOconnect: For single and multiple power supply and data connection (Connection Service APP and Service Monitor - see accessories)

Operating pressure: 0,3-10 bar  
 Flow rate (approx.): 3,5 l/min / 0,9 gpm (3 bar)  
 Water temperature (max.): 80 °C  
 Aerator: Aerator HONEYCOMB  
 Flexible hose: 550 mm  
 Angle valve connection: G 3/8  
 Built-in filter: 0,5 mm mesh size  
 Sensor sensitivity: Automatic self-adapting sensor technology  
 Follow-up time: 1 s pre-set (adjustable with Touch)  
 Continuous water flow and hygienic flush time: 2 min pre-set (adjustable with Touch 0,5-20 min)  
 Temporary-off: 2 min (fixed)  
 Engineering standards: DIN EN 200; CE

**Note:** When using the Service APP, the BLE Converter must be ordered separately.

Power supply	Drain assembly	Colour	Article number
Battery	Without	Chrome	<b>133.040.11</b>
Mains operation	Without	Chrome	<b>133.050.11</b>
VARIOconnect	Without	Chrome	<b>133.056.11</b>

Faucets electronic

## tipolino self-closing lavatory faucet L25P



tipolino self-closing lavatory faucet L25P, with electronic start/stop button, without temperature-mixing (for cold or premixed water), chromed

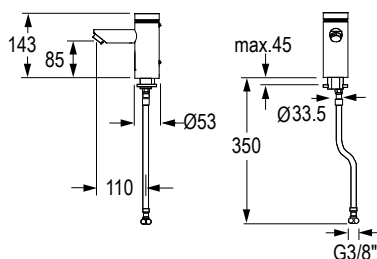
Electronically controlled self-closing lavatory faucet with start/stop button:

- Modular single-piece design without separate installation box, sturdy brass housing, chromed
- Microprocessor electronics
- Reliable solenoid valve ROBUST (minimal level of water pressure surge)
- Economic aerator
- Cold water supply connection with flexible high-pressure hose and built-in filter
- Installation similar to conventional single-lever faucet
- Follow-up time with start/stop button adjustable
- 12, 24, 48-hour hygienic flush with start/stop button activatable
- Mains supply: single- and multiple power supply
- Compatible with CNX and Service APP: Control of stored operational data, settings and control functions

Battery: 6 V Lithium CRP2 - commercial, life time up to 4 years  
 Mains supply: Plug-in transformer 110-240 V 50-60 Hz / 6 V  
 VARIOconnect: For single and multiple power supply and data connection (Connection CNX and Service APP - see accessories)

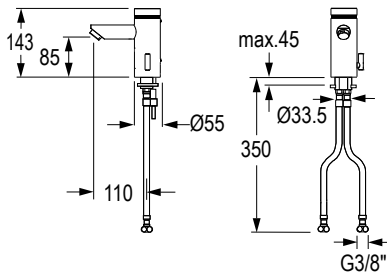
Operating pressure: 0,3-10 bar  
 Flow rate (approx.): 6 l/min / 1,6 gpm (3 bar)  
 Water temperature (max.): 80 °C  
 Aerator: Economic aerator, CASCADE (self-cleaning)  
 Flexible hose: 350 mm  
 Angle valve connection: G 3/8  
 Built-in filter: 0,5 mm mesh size  
 Water flow time: 7 s pre-set (manually adjustable with button 2 s - 3 min)  
 Hygienic flush time: 30 sec.  
 Engineering standards: DIN EN 200; **CE**

**Note:** When integrated into the CNX Water Management System, the CNX Converter 6 V must be ordered separately.  
 When using the Service APP, the BLE Converter must be ordered separately.



Power supply	Drain assembly	Colour	Article number
Battery	Without	Chrome	<b>120.081.11</b>
Mains operation	Without	Chrome	<b>120.084.11</b>
VARIOconnect	Without	Chrome	<b>120.086.11</b>

## tipolino self-closing lavatory faucet L15P



tipolino self-closing lavatory faucet L15P, with electronic start/stop button, with temperature-mixing, chromed

Electronically controlled self-closing lavatory faucet with start/stop button:

- Modular single-piece design without separate installation box, sturdy brass housing, chromed
- Microprocessor electronics
- Reliable solenoid valve ROBUST (minimal level of water pressure surge)
- Economic aerator
- Hot and cold water supply connection with flexible high-pressure hoses
- Check valves and built-in filters
- Temperature adjustable or fixable (vandal-resistant construction)
- Adjustable hot water limitation (mechanically)
- Installation similar to conventional single-lever faucet
- Follow-up time with start/stop button adjustable
- Scald protection adjustable
- 12, 24, 48-hour hygienic flush activatable with start/stop button
- Mains supply: single and multiple power supply
- Compatible with CNX and Service APP: Control of stored operational data, settings and control functions

Battery: 6 V Lithium CRP2 - commercial, life time up to 4 years  
 Mains supply: Plug-in transformer 110-240 V 50-60 Hz / 6 V  
 VARIOconnect: For single and multiple power supply and data connection (Connection CNX and Service APP - see accessories)

Operating pressure: 0,3-10 bar  
 Flow rate (approx.): 6 l/min / 1,6 gpm (3 bar)  
 Water temperature (max.): 80 °C  
 Aerator: Economic aerator, CASCADE (self-cleaning)  
 Flexible hoses: 350 mm  
 Angle valve connection: G 3/8  
 Built-in filters: 0,5 mm mesh size  
 Water flow time: 7 s pre-set (manuell adjustable with button 2 s - 3 min)  
 Hygienic flush time: 30 sec.  
 Engineering standards: DIN EN 200; CE

**Note:** When integrated into the CNX Water Management System, the CNX Converter 6 V must be ordered separately.  
 When using the Service APP, the BLE Converter must be ordered separately.

Power supply	Drain assembly	Colour	Article number
Battery	Without	Chrome	<b>120.071.11</b>
Mains operation	Without	Chrome	<b>120.074.11</b>
VARIOconnect	Without	Chrome	<b>120.076.11</b>

Faucets electronic

# CONGENIAL FIT concealed wall-mounted faucet, rectangular, IR sensor, stainless steel

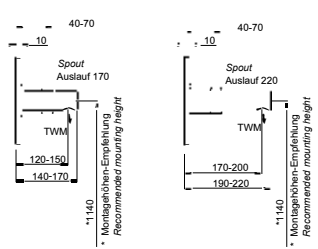
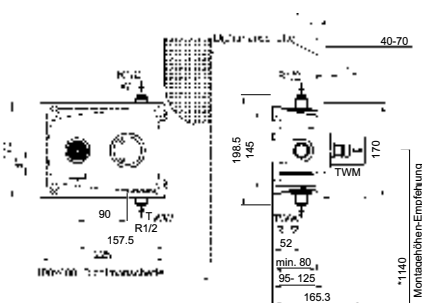


CONGENIAL FIT concealed wall-mounted faucet, rectangular, with IR sensor, with thermostat, stainless steel - final assembly kit

Final assembly kit for electronic lavatory faucet, device designed as concealed wall-mounted faucet in nominal diameter DN15. With thermostatic mixing device for connection to cold and hot water. Application in new construction building and renovation in commercial, semi-public and public sanitary facilities.

- Concealed shower final assembly kit with rectangular cover plate
- Concealed mounting, robust double lock, multi sealing system with drainage system for condensation
- Cover plate: stainless steel 1.4301, all visible surfaces made of brushed stainless steel
- Support frame for cover plate: implementing functional elements and thermostat incl. EPDM sealing rings
- Multifunction tool for maintenance work
- Adaptive multifunctional water path CONGENIAL with solenoid valve 6 V/DC ROBUST, bistable
- Upgrade and retrofitting functions
- Water path: dezincification resistant forged brass, as a high-quality thermostatic mixer, thermostat handle: chromed brass
- Visible components made of solid chromed brass, with safety stop
- Choice of temperature and setting range
- Integrated check valves in the bypass and check valve and strainer cartridges for water inlets
- All functional parts can be disassembled from the front during maintenance work without removing the valve body
- Electronic operation via IR sensor, IR double sensor system, with automatic setting feature
- The water flow time is easily adjustable in electronic faucets

Battery: 6 V Lithium waterproof encased, lifetime up to 4 years  
 Mains: Power supply over 12 V/DC power supply for surface-mounted version in installation box of for DIN top-hat rail mounting  
 Mains (CNX): Power supply over 30 V/DC power supply in the control panels 64 and 150



**Hygienic flush (mains/battery):**

Hygienic flush (electronic): the hygienic flush can be carried out in electronic faucets by programming via Click or the Service APP per shower.

**Water flow time:**

The water flow time of the faucet function can be set and disabled for electronic faucets, integrated into the CNX Water Management System or via Service APP, through the software parameter settings per faucet or faucet group.

**Hygienic flush:**

The hygienic flush can be set and disabled for electronic faucets, integrated into the CNX Water Management System or via Service APP, by the software parameter settings per faucet or faucet group as interval or calendar function..

**Thermal disinfection:**

The thermal disinfection can be set as a calendar function in electronic faucets, integrated into the CNX Water Management System or via Service APP, by the software parameter setting per faucet group.

**Cleaning stop:**

The operation stop (cleaning stop), interruption of the faucet function can be set in electronic faucets, integrated into the CNX Water Management System or via Service APP, by the software parameter settings per faucet or faucet group as a calendar function.

**CNX Water Management System:**

Integration of the faucet into the software-controlled CNX Water Management System for the automatic depiction of hygiene, system and safety functions of electronic showers, lavatory faucets and urinal flush valves at the BUS level. Parametrisation of individual devices and device groups. Tamper-proof documentation of all operating, action and function messages.








\* Example with spout



Faucets electronic



## CONGENIAL FIT concealed wall-mounted faucet, rectangular, IR sensor, stainless steel

<p><b>Technical data:</b></p> <p>Operating voltage (battery): 6 V/DC          Operating voltage (mains): 12 V/DC          Operating voltage (CNX): 30 V/DC          Operating pressure: 1,5-5,0 bar          Water temp. standard operation (max.): 70 °C          Water temp. thermal disinfection: Short-term for therm. disinfection 80 °C          Flow rate DN15: 0,1 l/s (flow rate regulator)          Flow rate during thermal disinfection DN15: 0,05 l/s (flow rate regulator)          Water flow time setting range: 3-180 s          Water flow time factory setting: 30 s          Hygienic flush setting range: 2 min preset (adjustable with click 0.5-20 min)</p> <p>Electronic protection type: IP68          Dimensions (WxHxD): 170x225x10 mm</p>						<p><b>Required accessories:</b></p> <p>CONR5112 CONBOX FIT raw mounting set          CONO820170 / CONO820220 Spout 170 / 220 mm*          CNX central operation unit, CNX Converter, BLE Converter,</p> <p><b>Optional accessories</b>          Retrofitting set electronic thermal disinfection</p>	
							
Version	Power supply	Hygienic flush	Mains CNX	Thermal disinfection CNX	Cleaning stop	Article number	
	6 V/DC Lithium battery waterproof encased	•				<b>CONE7116218100</b>	
	12 V/DC series wiring to connect to central mains power supply (see chapter accessories)	•				<b>CONE7116218200</b>	
	30 V/DC power supply to CNX central operating unit (see chapter accessories)	•	•		•	<b>CONE7116218336</b>	
		•	•	•	•	<b>CONE7116218360</b>	
Accessories	(see accessories for CONGENIAL FIT)	Spout 170 mm, chromed			<b>CONO820170</b>		
		Spout 220 mm, chromed			<b>CONO820220</b>		

Faucets electronic

# CONGENIAL FIT concealed wall-mounted faucet, rectangular, IR sensor, chromed



## CONGENIAL FIT concealed wall-mounted faucet, rectangular, with IR sensor, with thermostat, chromed - final assembly kit

Final assembly kit for electronic lavatory faucet, device designed as concealed wall-mounted faucet in nominal diameter DN15. With thermostatic mixing device for connection to cold and hot water. Application in new construction building and renovation in commercial, semi-public and public sanitary facilities.

- Concealed shower final assembly kit with rectangular cover plate
- Concealed mounting, robust double lock, multi sealing system with drainage system for condensation
- Cover plate: stainless steel 1.4301, all visible surfaces made of chromed stainless steel
- Support frame for cover plate: implementing functional elements and thermostat incl. EPDM sealing rings
- Multifunction tool for maintenance work
- Adaptive multifunctional water path CONGENIAL with solenoid valve 6 V/DC ROBUST, bistable
- Upgrade and retrofitting functions
- Water path: dezincification resistant forged brass, as a high-quality thermostatic mixer, thermostat handle: chromed brass
- Visible components made of solid chromed brass, with safety stop
- Choice of temperature and setting range
- Integrated check valves in the bypass and check valve and strainer cartridges for water inlets
- All functional parts can be disassembled from the front during maintenance work without removing the valve body
- Electronic operation via IR sensor, IR double sensor system, with automatic setting feature
- The water flow time is easily adjustable in electronic faucets

Battery: 6 V Lithium waterproof encased, lifetime up to 4 years  
 Mains: Power supply over 12 V/DC power supply for surface-mounted version  
 in installation box of for DIN top-hat rail mounting  
 Mains (CNX): Power supply over 30 V/DC power supply in the control panels 64 and 150

### Hygienic flush (mains/battery):

Hygienic flush (electronic): the hygienic flush can be carried out in electronic faucets by programming via Click or the Service APP per shower.

### Water flow time:

The water flow time of the faucet function can be set and disabled for electronic faucets, integrated into the CNX Water Management System or via Service APP, through the software parameter settings per faucet or faucet group.

### Hygienic flush:

The hygienic flush can be set and disabled for electronic faucets, integrated into the CNX Water Management System or via Service APP, by the software parameter settings per faucet or faucet group as interval or calendar function..

### Thermal disinfection:

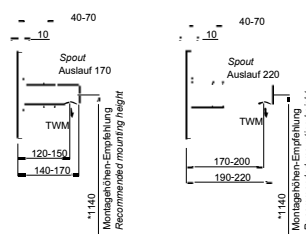
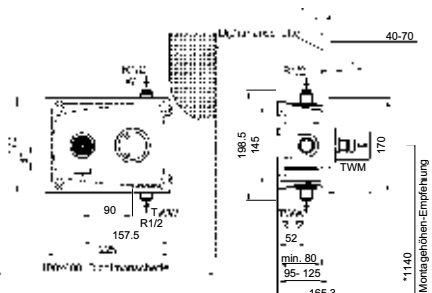
The thermal disinfection can be set as a calendar function in electronic faucets, integrated into the CNX Water Management System or via Service APP, by the software parameter setting per faucet group.

### Cleaning stop:

The operation stop (cleaning stop), interruption of the faucet function can be set in electronic faucets, integrated into the CNX Water Management System or via Service APP, by the software parameter settings per faucet or faucet group as a calendar function.

### CNX Water Management System:








Integration of the faucet into the software-controlled CNX Water Management System for the automatic depiction of hygiene, system and safety functions of electronic showers, lavatory faucets and urinal flush valves at the BUS level. Parametrisation of individual devices and device groups. Tamper-proof documentation of all operating, action and function messages.



\* Example with spout



## CONGENIAL FIT concealed wall-mounted faucet, rectangular, IR sensor, chromed

<b>Technical data:</b> Operating voltage (battery): 6 V/DC Operating voltage (mains): 12 V/DC Operating voltage (CNX): 30 V/DC Operating pressure: 1,5-5,0 bar Water temp. standard operation (max.): 70 °C Water temp. thermal disinfection: Short-term for therm. disinfection 80 °C Flow rate DN15: 0,1 l/s (flow rate regulator) Flow rate during thermal disinfection DN15: 0,05 l/s (flow rate regulator) Water flow time setting range: 3-180 s Water flow time factory setting: 30 s Hygienic flush setting range: 2 min preset (adjustable with click 0.5-20 min) Electronic protection type: IP68 Dimensions (WxHxD): 225x170x10 mm						<b>Required accessories:</b> CONR5112 CONBOX FIT raw mounting set CONO820170 / CONO820220 Spout 170 / 220 mm* CNX central operation unit, CNX Converter, BLE Converter,	
						<b>Optional accessories</b> Retrofitting set electronic thermal disinfection	
							
Version	Power supply	Hygienic flush	Mains CNX	Thermal disinfection CNX	Cleaning stop	Article number	
	6 V/DC Lithium battery waterproof encased	•				<b>CONE7156218100</b>	
	12 V/DC series wiring to connect to central mains power supply (see chapter accessories)	•				<b>CONE7156218200</b>	
	30 V/DC power supply to CNX central operating unit (see chapter accessories)	•	•		•	<b>CONE7156218336</b>	
		•	•	•	•	<b>CONE7156218360</b>	
Accessories	(see accessories for CONGENIAL FIT)	Spout 170 mm, chromed				<b>CONO820170</b>	
		Spout 220 mm, chromed				<b>CONO820220</b>	

# CONGENIAL FIT concealed wall-mounted faucet, oval, IR sensor, stainless steel



## CONGENIAL FIT concealed wall-mounted faucet, oval, with IR sensor, with thermostat, stainless steel - final assembly kit

Final assembly kit for electronic lavatory faucet, device designed as concealed wall-mounted faucet in nominal diameter DN15. With thermostatic mixing device for connection to cold and hot water. Application in new construction building and renovation in commercial, semi-public and public sanitary facilities.

- Concealed shower final assembly kit with oval cover plate
- Concealed mounting, robust double lock, multi sealing system with drainage system for condensation
- Cover plate: stainless steel 1.4301, all visible surfaces made of brushed stainless steel
- Support frame for cover plate: implementing functional elements and thermostat incl. EPDM sealing rings
- Multifunction tool for maintenance work
- Adaptive multifunctional water path CONGENIAL with solenoid valve 6 V/DC ROBUST, bistable
- Upgrade and retrofitting functions
- Water path: dezincification resistant forged brass, as a high-quality thermostatic mixer, thermostat handle: chromed brass
- Visible components made of solid chromed brass, with safety stop
- Choice of temperature and setting range
- Integrated check valves in the bypass and check valve and strainer cartridges for water inlets
- All functional parts can be disassembled from the front during maintenance work without removing the valve body
- Electronic operation via IR sensor, IR double sensor system, with automatic setting feature
- The water flow time is easily adjustable in electronic faucets

Battery: 6 V Lithium waterproof encased, lifetime up to 4 years  
 Mains: Power supply over 12 V/DC power supply for surface-mounted version in installation box of for DIN top-hat rail mounting  
 Mains (CNX): Power supply over 30 V/DC power supply in the control panels 64 and 150

### Hygienic flush (mains/battery):

Hygienic flush (electronic): the hygienic flush can be carried out in electronic faucets by programming via Click or the Service APP per shower.

### Water flow time:

The water flow time of the faucet function can be set and disabled for electronic faucets, integrated into the CNX Water Management System or via Service APP, through the software parameter settings per faucet or faucet group.

### Hygienic flush:

The hygienic flush can be set and disabled for electronic faucets, integrated into the CNX Water Management System or via Service APP, by the software parameter settings per faucet or faucet group as interval or calendar function..

### Thermal disinfection:

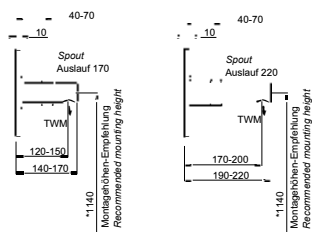
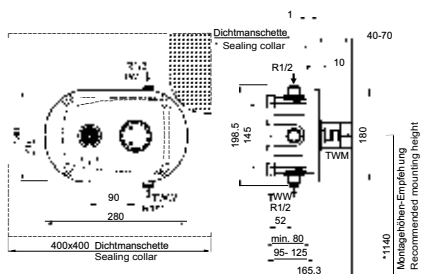
The thermal disinfection can be set as a calendar function in electronic faucets, integrated into the CNX Water Management System or via Service APP, by the software parameter setting per faucet group.

### Cleaning stop:

The operation stop (cleaning stop), interruption of the faucet function can be set in electronic faucets, integrated into the CNX Water Management System or via Service APP, by the software parameter settings per faucet or faucet group as a calendar function.

### CNX Water Management System:








Integration of the faucet into the software-controlled CNX Water Management System for the automatic depiction of hygiene, system and safety functions of electronic showers, lavatory faucets and urinal flush valves at the BUS level. Parametrisation of individual devices and device groups. Tamper-proof documentation of all operating, action and function messages.



\* Example with spout



## CONGENIAL FIT concealed wall-mounted faucet, oval, IR sensor, stainless steel

<p><b>Technical data:</b></p> <p>Operating voltage (battery): 6 V/DC          Operating voltage (mains): 12 V/DC          Operating voltage (CNX): 30 V/DC          Operating pressure: 1,5-5,0 bar          Water temp. standard operation (max.): 70 °C          Water temp. thermal disinfection: Short-term for therm. disinfection 80 °C          Flow rate DN15: 0,1 l/s (flow rate regulator)          Flow rate during thermal disinfection DN15: 0,05 l/s (flow rate regulator)          Water flow time setting range: 3-180 s          Water flow time factory setting: 30 s          Hygienic flush setting range: 2 min preset (adjustable with click 0.5-20 min)</p> <p>Electronic protection type: IP68          Dimensions (WxHxD): 280x180x10 mm</p>						<p><b>Required accessories:</b></p> <p>CONR5112 CONBOX FIT raw mounting set          CONO820170 / CONO820220 Spout 170 / 220 mm*          CNX central operation unit, CNX Converter, BLE Converter,</p> <p><b>Optional accessories</b>          Retrofitting set electronic thermal disinfection</p>	
							
Version	Power supply	Hygienic flush	Mains CNX	Thermal disinfection CNX	Cleaning stop	Article number	
	6 V/DC Lithium battery waterproof encased	•				<b>CONE7117218100</b>	
	12 V/DC series wiring to connect to central mains power supply (see chapter accessories)	•				<b>CONE7117218200</b>	
	30 V/DC power supply to CNX central operating unit (see chapter accessories)	•	•		•	<b>CONE7117218336</b>	
		•	•	•	•	<b>CONE7117218360</b>	
Accessories	(see accessories for CONGENIAL FIT)	Spout 170 mm, chromed				<b>CONO820170</b>	
		Spout 220 mm, chromed				<b>CONO820220</b>	

Faucets electronic

# CONGENIAL FIT concealed wall-mounted faucet, oval, IR sensor, chromed



## CONGENIAL FIT concealed wall-mounted faucet, oval, with IR sensor, with thermostat, chromed - final assembly kit

Final assembly kit for electronic lavatory faucet, device designed as concealed wall-mounted faucet in nominal diameter DN15. With thermostatic mixing device for connection to cold and hot water. Application in new construction building and renovation in commercial, semi-public and public sanitary facilities.

- Concealed shower final assembly kit with oval cover plate
- Concealed mounting, robust double lock, multi sealing system with drainage system for condensation
- Cover plate: stainless steel 1.4301, all visible surfaces made of chromed stainless steel
- Support frame for cover plate: implementing functional elements and thermostat incl. EPDM sealing rings
- Multifunction tool for maintenance work
- Adaptive multifunctional water path CONGENIAL with solenoid valve 6 V/DC ROBUST, bistable
- Upgrade and retrofitting functions
- Water path: dezincification resistant forged brass, as a high-quality thermostatic mixer, thermostat handle: chromed brass
- Visible components made of solid chromed brass, with safety stop
- Choice of temperature and setting range
- Integrated check valves in the bypass and check valve and strainer cartridges for water inlets
- All functional parts can be disassembled from the front during maintenance work without removing the valve body
- Electronic operation via IR sensor, IR double sensor system, with automatic setting feature
- The water flow time is easily adjustable in electronic faucets

Battery: 6 V Lithium waterproof encased, lifetime up to 4 years  
 Mains: Power supply over 12 V/DC power supply for surface-mounted version in installation box of for DIN top-hat rail mounting  
 Mains (CNX): Power supply over 30 V/DC power supply in the control panels 64 and 150

### Hygienic flush (mains/battery):

Hygienic flush (electronic): the hygienic flush can be carried out in electronic faucets by programming via Click or the Service APP per shower.

### Water flow time:

The water flow time of the faucet function can be set and disabled for electronic faucets, integrated into the CNX Water Management System or via Service APP, through the software parameter settings per faucet or faucet group.

### Hygienic flush:

The hygienic flush can be set and disabled for electronic faucets, integrated into the CNX Water Management System or via Service APP, by the software parameter settings per faucet or faucet group as interval or calendar function..

### Thermal disinfection:

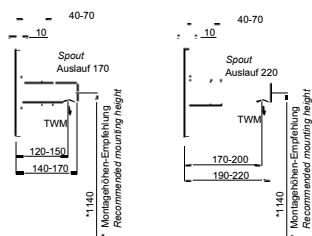
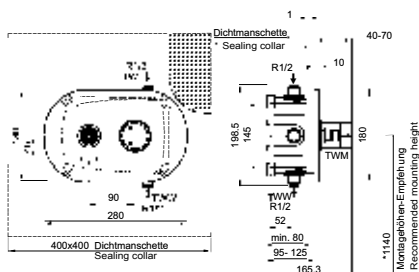
The thermal disinfection can be set as a calendar function in electronic faucets, integrated into the CNX Water Management System or via Service APP, by the software parameter setting per faucet group.

### Cleaning stop:

The operation stop (cleaning stop), interruption of the faucet function can be set in electronic faucets, integrated into the CNX Water Management System or via Service APP, by the software parameter settings per faucet or faucet group as a calendar function.

### CNX Water Management System:








Integration of the faucet into the software-controlled CNX Water Management System for the automatic depiction of hygiene, system and safety functions of electronic showers, lavatory faucets and urinal flush valves at the BUS level. Parametrisation of individual devices and device groups. Tamper-proof documentation of all operating, action and function messages.



\* Example with spout



## CONGENIAL FIT concealed wall-mounted faucet, oval, IR sensor, chromed

<p><b>Technical data:</b></p> <p>Operating voltage (battery): 6 V/DC          Operating voltage (mains): 12 V/DC          Operating voltage (CNX): 30 V/DC          Operating pressure: 1,5-5,0 bar          Water temp. standard operation (max.): 70 °C          Water temp. thermal disinfection: Short-term for therm. disinfection 80 °C          Flow rate DN15: 0,1 l/s (flow rate regulator)          Flow rate during thermal disinfection DN15: 0,05 l/s (flow rate regulator)          Water flow time setting range: 3-180 s          Water flow time factory setting: 30 s          Hygienic flush setting range: 2 min preset (adjustable with click 0.5-20 min)</p> <p>Electronic protection type: IP68          Dimensions (WxHxD): 280x180x10 mm</p>						<p><b>Required accessories:</b></p> <p>CONR5112 CONBOX FIT raw mounting set          CONO820170 / CONO820220 Spout 170 / 220 mm*          CNX central operation unit, CNX Converter, BLE Converter,</p> <p><b>Optional accessories</b>          Retrofitting set electronic thermal disinfection</p>	
							
Version	Power supply	Hygienic flush	Mains CNX	Thermal disinfection CNX	Cleaning stop	Article number	
	6 V/DC Lithium battery waterproof encased	•				<b>CONE7157218100</b>	
	12 V/DC series wiring to connect to central mains power supply (see chapter accessories)	•				<b>CONE7157218200</b>	
	30 V/DC power supply to CNX central operating unit (see chapter accessories)	•	•		•	<b>CONE7157218336</b>	
		•	•	•	•	<b>CONE7157218360</b>	
Accessories	(see accessories for CONGENIAL FIT)	Spout 170 mm, chromed				<b>CONO820170</b>	
		Spout 220 mm, chromed				<b>CONO820220</b>	

Faucets electronic

# CONGENIAL FIT concealed wall-mounted faucet, rectangular, piezo, stainless steel



CONGENIAL FIT concealed wall-mounted faucet, rectangular, with piezo switch, with thermostat, stainless steel - final assembly kit

Final assembly kit for electronic lavatory faucet, device designed as concealed wall-mounted faucet in nominal diameter DN15. With thermostatic mixing device for connection to cold and hot water. Application in new construction building and renovation in commercial, semi-public and public sanitary facilities.

Concealed shower final assembly kit with rectangular cover plate

- Concealed mounting, robust double lock, multi sealing system with drainage system for condensation
- Cover plate: stainless steel 1.4301, all visible surfaces made of brushed stainless steel
- Support frame for cover plate: implementing functional elements and thermostat incl. EPDM sealing rings
- Multifunction tool for maintenance work
- Adaptive multifunctional water path CONGENIAL with solenoid valve 6 V/DC ROBUST, bistable
- Upgrade and retrofitting functions
- Water path: dezincification resistant forged brass, as a high-quality thermostatic mixer, thermostat handle: chromed brass
- Visible components made of solid chromed brass, with safety stop
- Choice of temperature and setting range
- Integrated check valve in the bypass and check valve and strainer cartridges for water inlets
- All functional part can be disassembled from the front during maintenance work without removing the valve body
- Electronic operation via piezo switch with start/stop function, piezo switch: colour ring red, rosette chromed
- The water flow time is easily adjustable in electronic faucets

- Battery: 6 V Lithium waterproof encased, lifetime up to 4 years
- Mains: Power supply over 12 V/DC power supply for surface-mounted version in installation box of for DIN top-hat rail mounting
- Mains (CNX): Power supply over 30 V/DC power supply in the control panels 64 and 150

**Execuctive options:**

**Hygienic flush (mains/battery):**

Hygienic flush (electronic): the hygienic flush can be carried out in electronic faucets by programming piezo button or the Service APP per shower.

**Water flow time:**

The water flow time of the faucet function can be set and disabled for electronic faucets, integrated into the CNX Water Management System or via Service APP, through the software parameter settings per faucet or faucet group.

**Hygienic flush:**

The hygienic flush can be set and disabled for electronic faucets, integrated into the CNX Water Management System or via Service APP, by the software parameter settings per faucet or faucet group as interval or calendar function.

**Thermal disinfection:**

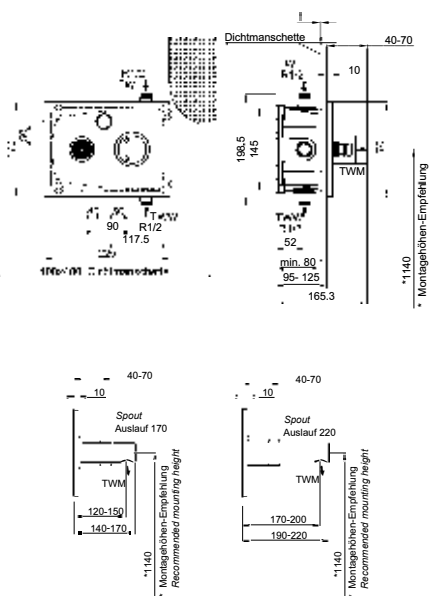
The thermal disinfection can be set as a calendar function in electronic faucets, integrated into the CNX Water Management System or via Service APP, by the software parameter setting per faucet group.

**Cleaning stop:**

The operation stop (cleaning stop), interruption of the faucet function can be set in electronic faucets, integrated into the CNX Water Management System or via Service APP, by the software parameter settings per faucet or faucet group as a calendar function.

**CNX Water Management System:**

Integration of the faucet into the software-controlled CNX Water Management System for the automatic depiction of hygiene, system and safety functions of electronic showers, lavatory faucets and urinal flush valves at the BUS level. Parametrisation of individual devices and device groups. Tamper-proof documentation of all operating, action and function messages.










\* Example with spout





## CONGENIAL FIT concealed wall-mounted faucet, rectangular, piezo, stainless steel

<p><b>Technical data:</b></p> <p>Operating voltage (battery): 6 V/DC          Operating voltage (mains): 12 V/DC          Operating voltage (CNX): 30 V/DC          Operating pressure: 1,5-5,0 bar          Water temp. standard operation (max.): 70 °C          Water temp. thermal disinfection: Short-term for therm. disinfection 80 °C          Flow rate DN15: 0,1 l/s (flow rate regulator)          Flow rate during thermal disinfection DN15: 0,05 l/s (flow rate regulator)          Water flow time setting range: 3-180 s          Water flow time factory setting: 30 s          Hygienic flush setting range: 12, 24 or 72 h, can be deactivated via setting on piezo switch, other hygienic flush intervals can be set via Service APP          Hygienic flush factory setting: 12 h after last water flow trigger, 30 s water flow time          Electronic protection type: IP68          Dimensions (WxHxD): 225x170x10 mm</p>						<p><b>Required accessories:</b>          CONR5112 CONBOX FIT raw mounting set          CONO820170 / CONO820220 Spout 170 / 220 mm*          CNX central operation unit, CNX Converter, BLE Converter,</p> <p><b>Optional accessories</b>          Retrofitting set electronic thermal disinfection</p>	
							
Version	Power supply	Hygienic flush	Mains CNX	Thermal disinfection CNX	Cleaning stop	Article number	
	6 V/DC Lithium battery waterproof encased	•				<b>CONE7116211100</b>	
	12 V/DC series wiring to connect to central mains power supply (see chapter accessories)	•				<b>CONE7116211200</b>	
	30 V/DC power supply to CNX central operating unit (see chapter accessories)	•	•		•	<b>CONE7116211336</b>	
		•	•	•	•	<b>CONE7116211360</b>	
Accessories	(see accessories for CONGENIAL FIT)	Spout 170 mm, chromed				<b>CONO820170</b>	
		Spout 220 mm, chromed				<b>CONO820220</b>	

Faucets electronic

# CONGENIAL FIT concealed wall-mounted faucet, rectangular, piezo, chromed



CONGENIAL FIT concealed wall-mounted faucet, rectangular, with piezo switch, with thermostat, chromed - final assembly kit

Final assembly kit for electronic lavatory faucet, device designed as concealed wall-mounted faucet in nominal diameter DN15. With thermostatic mixing device for connection to cold and hot water. Application in new construction building and renovation in commercial, semi-public and public sanitary facilities.

Concealed shower final assembly kit with rectangular cover plate

- Concealed mounting, robust double lock, multi sealing system with drainage system for condensation
- Cover plate: stainless steel 1.4301, all visible surfaces made of chromed stainless steel
- Support frame for cover plate: implementing functional elements and thermostat incl. EPDM sealing rings
- Multifunction tool for maintenance work
- Adaptive multifunctional water path CONGENIAL with solenoid valve 6 V/DC ROBUST, bistable
- Upgrade and retrofitting functions
- Water path: dezincification resistant forged brass, as a high-quality thermostatic mixer, thermostat handle: chromed brass
- Visible components made of solid chromed brass, with safety stop
- Choice of temperature and setting range
- Integrated check valve in the bypass and check valve and strainer cartridges for water inlets
- All functional part can be disassembled from the front during maintenance work without removing the valve body
- Electronic operation via piezo switch with start/stop function, piezo switch: colour ring red, rosette chromed
- The water flow time is easily adjustable in electronic faucets

Battery: 6 V Lithium waterproof encased, lifetime up to 4 years  
 Mains: Power supply over 12 V/DC power supply for surface-mounted version in installation box of for DIN top-hat rail mounting  
 Mains (CNX): Power supply over 30 V/DC power supply in the control panels 64 and 150

**Executive options:**

**Hygienic flush (mains/battery):**

Hygienic flush (electronic): the hygienic flush can be carried out in electronic faucets by programming piezo button or the Service APP per shower.

**Water flow time:**

The water flow time of the faucet function can be set and disabled for electronic faucets, integrated into the CNX Water Management System or via Service APP, through the software parameter settings per faucet or faucet group.

**Hygienic flush:**

The hygienic flush can be set and disabled for electronic faucets, integrated into the CNX Water Management System or via Service APP, by the software parameter settings per faucet or faucet group as interval or calendar function.

**Thermal disinfection:**

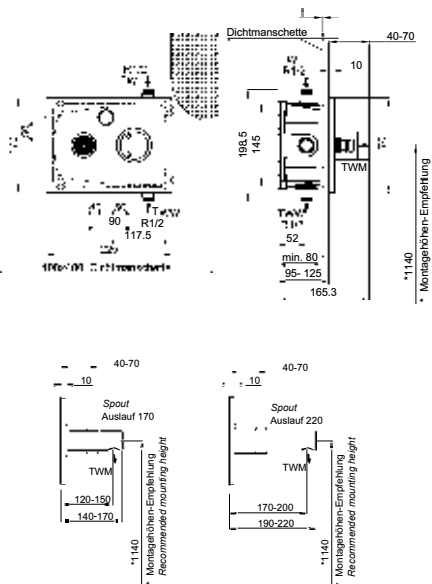
The thermal disinfection can be set as a calendar function in electronic faucets, integrated into the CNX Water Management System or via Service APP, by the software parameter setting per faucet group.

**Cleaning stop:**

The operation stop (cleaning stop), interruption of the faucet function can be set in electronic faucets, integrated into the CNX Water Management System or via Service APP, by the software parameter settings per faucet or faucet group as a calendar function.

**CNX Water Management System:**








Integration of the faucet into the software-controlled CNX Water Management System for the automatic depiction of hygiene, system and safety functions of electronic showers, lavatory faucets and urinal flush valves at the BUS level. Parametrisation of individual devices and device groups. Tamper-proof documentation of all operating, action and function messages.



\* Example with spout



## CONGENIAL FIT concealed wall-mounted faucet, rectangular, piezo, chromed

<p><b>Technical data:</b></p> <p>Operating voltage (battery): 6 V/DC          Operating voltage (mains): 12 V/DC          Operating voltage (CNX): 30 V/DC          Operating pressure: 1,5-5,0 bar          Water temp. standard operation (max.): 70 °C          Water temp. thermal disinfection: Short-term for therm. disinfection 80 °C          Flow rate DN15: 0,1 l/s (flow rate regulator)          Flow rate during thermal disinfection DN15: 0,05 l/s (flow rate regulator)          Water flow time setting range: 3-180 s          Water flow time factory setting: 30 s          Hygienic flush setting range: 12, 24 or 72 h, can be deactivated via setting on piezo switch, other hygienic flush intervals can be set via Service APP          Hygienic flush factory setting: 12 h after last water flow trigger, 30 s water flow time          Electronic protection type: IP68          Dimensions (WxHxD): 225x170x10 mm</p>						<p><b>Required accessories:</b>          CONR5112 CONBOX FIT raw mounting set          CONO820170 / CONO820220 Spout 170 / 220 mm*          CNX central operation unit, CNX Converter, BLE Converter,</p> <p><b>Optional accessories</b>          Retrofitting set electronic thermal disinfection</p>	
							
Version	Power supply	Hygienic flush	Mains CNX	Thermal disinfection CNX	Cleaning stop	Article number	
	6 V/DC Lithium battery waterproof encased	•				<b>CONE7156211100</b>	
	12 V/DC series wiring to connect to central mains power supply (see chapter accessories)	•				<b>CONE7156211200</b>	
	30 V/DC power supply to CNX central operating unit (see chapter accessories)	•	•		•	<b>CONE7156211336</b>	
		•	•	•	•	<b>CONE7156211360</b>	
Accessories	(see accessories for CONGENIAL FIT)	Spout 170 mm, chromed				<b>CONO820170</b>	
		Spout 220 mm, chromed				<b>CONO820220</b>	

Faucets electronic

# CONGENIAL FIT concealed wall-mounted faucet, oval, piezo, stainless steel



## CONGENIAL FIT concealed wall-mounted faucet, oval, with piezo switch, with thermostat, stainless steel - final assembly kit

Final assembly kit for electronic lavatory faucet, device designed as concealed wall-mounted faucet in nominal diameter DN15. With thermostatic mixing device for connection to cold and hot water. Application in new construction building and renovation in commercial, semi-public and public sanitary facilities.

### Concealed shower final assembly kit with oval cover plate

- Concealed mounting, robust double lock, multi sealing system with drainage system for condensation
- Cover plate: stainless steel 1.4301, all visible surfaces made of brushed stainless steel
- Support frame for cover plate: implementing functional elements and thermostat incl. EPDM sealing rings
- Multifunction tool for maintenance work
- Adaptive multifunctional water path CONGENIAL with solenoid valve 6 V/DC ROBUST, bistable
- Upgrade and retrofitting functions
- Water path: dezincification resistant forged brass, as a high-quality thermostatic mixer, thermostat handle: chromed brass
- Visible components made of solid chromed brass, with safety stop
- Choice of temperature and setting range
- Integrated check valve in the bypass and check valve and strainer cartridges for water inlets
- All functional part can be disassembled from the front during maintenance work without removing the valve body
- Electronic operation via piezo switch with start/stop function, piezo switch: colour ring red, rosette chromed
- The water flow time is easily adjustable in electronic faucets

- Battery: 6 V Lithium waterproof encased, lifetime up to 4 years
- Mains: Power supply over 12 V/DC power supply for surface-mounted version in installation box of for DIN top-hat rail mounting
- Mains (CNX): Power supply over 30 V/DC power supply in the control panels 64 and 150

### Executive options:

#### Hygienic flush (mains/battery):

Hygienic flush (electronic): the hygienic flush can be carried out in electronic faucets by programming piezo button or the Service APP per shower.

#### Water flow time:

The water flow time of the faucet function can be set and disabled for electronic faucets, integrated into the CNX Water Management System or via Service APP, through the software parameter settings per faucet or faucet group.

#### Hygienic flush:

The hygienic flush can be set and disabled for electronic faucets, integrated into the CNX Water Management System or via Service APP, by the software parameter settings per faucet or faucet group as interval or calendar function.

#### Thermal disinfection:

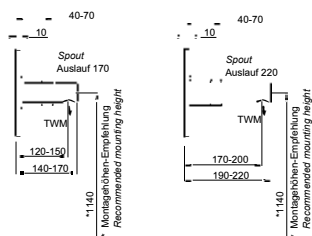
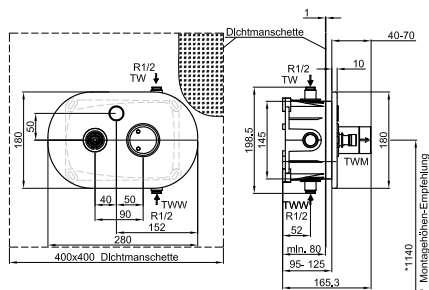
The thermal disinfection can be set as a calendar function in electronic faucets, integrated into the CNX Water Management System or via Service APP, by the software parameter setting per faucet group.

#### Cleaning stop:

The operation stop (cleaning stop), interruption of the faucet function can be set in electronic faucets, integrated into the CNX Water Management System or via Service APP, by the software parameter settings per faucet or faucet group as a calendar function.

#### CNX Water Management System:

Integration of the faucet into the software-controlled CNX Water Management System for the automatic depiction of hygiene, system and safety functions of electronic showers, lavatory faucets and urinal flush valves at the BUS level. Parametrisation of individual devices and device groups. Tamper-proof documentation of all operating, action and function messages.










\* Example with spout



Faucets electronic

## CONGENIAL FIT concealed wall-mounted faucet, oval, piezo, stainless steel

<p><b>Technical data:</b></p> <p>Operating voltage (battery): 6 V/DC          Operating voltage (mains): 12 V/DC          Operating voltage (CNX): 30 V/DC          Operating pressure: 1,5-5,0 bar          Water temp. standard operation (max.): 70 °C          Water temp. thermal disinfection: Short-term for therm. disinfection 80 °C          Flow rate DN15: 0,1 l/s (flow rate regulator)          Flow rate during thermal disinfection DN15: 0,05 l/s (flow rate regulator)          Water flow time setting range: 3-180 s          Water flow time factory setting: 30 s          Hygienic flush setting range: 12, 24 or 72 h, can be deactivated via setting on piezo switch, other hygienic flush intervals can be set via Service APP          Hygienic flush factory setting: 12 h after last water flow trigger, 30 s water flow time          Electronic protection type: IP68          Dimensions (WxHxD): 280x180x10 mm</p>						<p><b>Required accessories:</b>          CONR5112 CONBOX FIT raw mounting set          CONO820170 / CONO820220 Spout 170 / 220 mm*          CNX central operation unit, CNX Converter, BLE Converter,</p> <p><b>Optional accessories</b>          Retrofitting set electronic thermal disinfection</p>	
							
Version	Power supply	Hygienic flush	Mains CNX	Thermal disinfection CNX	Cleaning stop	Article number	
	6 V/DC Lithium battery waterproof encased	•				<b>CONE7117211100</b>	
	12 V/DC series wiring to connect to central mains power supply (see chapter accessories)	•				<b>CONE7117211200</b>	
	30 V/DC power supply to CNX central operating unit (see chapter accessories)	•	•		•	<b>CONE7117211336</b>	
		•	•	•	•	<b>CONE7117211360</b>	
Accessories	(see accessories for CONGENIAL FIT)	Spout 170 mm, chromed				<b>CONO820170</b>	
		Spout 220 mm, chromed				<b>CONO820220</b>	

Faucets electronic

# CONGENIAL FIT concealed wall-mounted faucet, oval, piezo, chromed



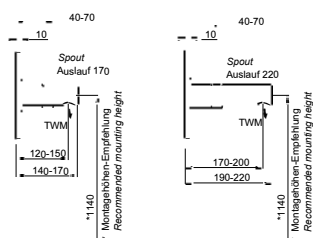
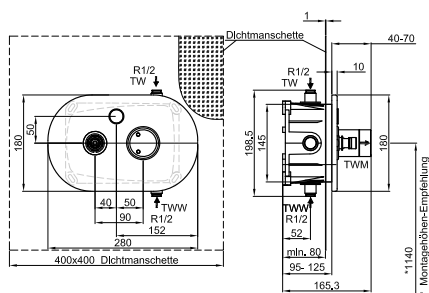
## CONGENIAL FIT concealed wall-mounted faucet, oval, with piezo switch, with thermostat, chromed - final assembly kit

Final assembly kit for electronic lavatory faucet, device designed as concealed wall-mounted faucet in nominal diameter DN15. With thermostatic mixing device for connection to cold and hot water. Application in new construction building and renovation in commercial, semi-public and public sanitary facilities.

### Concealed shower final assembly kit with oval cover plate

- Concealed mounting, robust double lock, multi sealing system with drainage system for condensation
- Cover plate: stainless steel 1.4301, all visible surfaces made of chromed stainless steel
- Support frame for cover plate: implementing functional elements and thermostat incl. EPDM sealing rings
- Multifunction tool for maintenance work
- Adaptive multifunctional water path CONGENIAL with solenoid valve 6 V/DC ROBUST, bistable
- Upgrade and retrofitting functions
- Water path: dezincification resistant forged brass, as a high-quality thermostatic mixer, thermostat handle: chromed brass
- Visible components made of solid chromed brass, with safety stop
- Choice of temperature and setting range
- Integrated check valve in the bypass and check valve and strainer cartridges for water inlets
- All functional part can be disassembled from the front during maintenance work without removing the valve body
- Electronic operation via piezo switch with start/stop function, piezo switch: colour ring red, rosette chromed
- The water flow time is easily adjustable in electronic faucets

- Battery: 6 V Lithium waterproof encased, lifetime up to 4 years
- Mains: Power supply over 12 V/DC power supply for surface-mounted version in installation box of for DIN top-hat rail mounting
- Mains (CNX): Power supply over 30 V/DC power supply in the control panels 64 and 150



\* Example with spout



### Executive options:

#### Hygienic flush (mains/battery):

Hygienic flush (electronic): the hygienic flush can be carried out in electronic faucets by programming piezo button or the Service APP per shower.

#### Water flow time:

The water flow time of the faucet function can be set and disabled for electronic faucets, integrated into the CNX Water Management System or via Service APP, through the software parameter settings per faucet or faucet group.

#### Hygienic flush:

The hygienic flush can be set and disabled for electronic faucets, integrated into the CNX Water Management System or via Service APP, by the software parameter settings per faucet or faucet group as interval or calendar function.

#### Thermal disinfection:

The thermal disinfection can be set as a calendar function in electronic faucets, integrated into the CNX Water Management System or via Service APP, by the software parameter setting per faucet group.








#### Cleaning stop:

The operation stop (cleaning stop), interruption of the faucet function can be set in electronic faucets, integrated into the CNX Water Management System or via Service APP, by the software parameter settings per faucet or faucet group as a calendar function.

#### CNX Water Management System:


Integration of the faucet into the software-controlled CNX Water Management System for the automatic depiction of hygiene, system and safety functions of electronic showers, lavatory faucets and urinal flush valves at the BUS level. Parametrisation of individual devices and device groups. Tamper-proof documentation of all operating, action and function messages.

## CONGENIAL FIT concealed wall-mounted faucet, oval, piezo, chromed


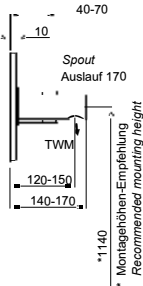
<p><b>Technical data:</b></p> <p>Operating voltage (battery): 6 V/DC          Operating voltage (mains): 12 V/DC          Operating voltage (CNX): 30 V/DC          Operating pressure: 1,5-5,0 bar          Water temp. standard operation (max.): 70 °C          Water temp. thermal disinfection: Short-term for therm. disinfection 80 °C          Flow rate DN15: 0,1 l/s (flow rate regulator)          Flow rate during thermal disinfection DN15: 0,05 l/s (flow rate regulator)          Water flow time setting range: 3-180 s          Water flow time factory setting: 30 s          Hygienic flush setting range: 12, 24 or 72 h, can be deactivated via setting on piezo switch, other hygienic flush intervals can be set via Service APP          Hygienic flush factory setting: 12 h after last water flow trigger, 30 s water flow time          Electronic protection type: IP68          Dimensions (WxHxD): 280x180x10 mm</p>						<p><b>Required accessories:</b>          CONR5112 CONBOX FIT raw mounting set          CONO820170 / CONO820220 Spout 170 / 220 mm*          CNX central operation unit, CNX Converter, BLE Converter,</p> <p><b>Optional accessories</b>          Retrofitting set electronic thermal disinfection</p>	
<div style="display: flex; justify-content: space-around; align-items: center;">     </div>							
Version	Power supply	Hygienic flush	Mains CNX	Thermal disinfection CNX	Cleaning stop	Article number	
	6 V/DC Lithium battery waterproof encased	•				<b>CONE7157211100</b>	
	12 V/DC series wiring to connect to central mains power supply (see chapter accessories)	•				<b>CONE7157211200</b>	
	30 V/DC power supply to CNX central operating unit (see chapter accessories)	•	•		•	<b>CONE7157211336</b>	
		•	•	•	•	<b>CONE7157211360</b>	
Accessories	(see accessories for CONGENIAL FIT)	Spout 170 mm, chromed				<b>CONO820170</b>	
		Spout 220 mm, chromed				<b>CONO820220</b>	


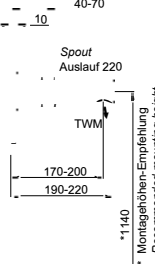
Faucets electronic

## Accessories for CONGENIAL FIT concealed wall-mounted faucet

	<p>CONBOX FIT Raw-assembling set for concealed wall-mounted faucets, thermostat, DN15</p> <p>Raw-assembling set for electronic wall-mounted faucets based on the adaptive multifunctional water path CONGENIAL, with thermostat, designed as faucet in nominal width DN15. Application area in new construction and renovation in public, semi-public and commercial sanitary facilities.</p> <p>Consisting of:</p> <ul style="list-style-type: none"> <li>• Concealed box CONBOX FIT</li> <li>• Recessed enclosure: ABS, dimensions (HxWxD min.) 216x157x127 mm, self-supporting</li> <li>• Fastener brackets for mounting material with max. diameter 6 mm</li> <li>• condensate drain slope, sealed and sound-insulated brass entrances and exits</li> <li>• Inlet with shut-off valves R 1/2</li> <li>• Mounting depth with final assembly set: 85-112 mm</li> <li>• Flushing piece: ABS, waterless and hygienic tested for leakage</li> <li>• Protective plug: EPS</li> <li>• Gasket ring: PE, dimensions (WxH) 400x400 mm, with expansion zone</li> </ul>	
Description	Version	Article number
CONBOX FIT Raw-assembling set	for CONGENIAL FIT concealed wall-mounted faucet	<b>CONR5112</b>

Faucets electronic

		<p>Spout 170 mm, chromed</p> <p>Spout 170 mm for CONGENIAL FIT concealed wall-mounted faucet and CONGENIAL multiple washing system.</p> <p>Length: 170 mm          Diameter: 38 mm          Material: chromed brass          Flow controller: 6 l</p>
Description	Length	Article number
Spout 170 mm	170 mm	<b>CONO820170</b>


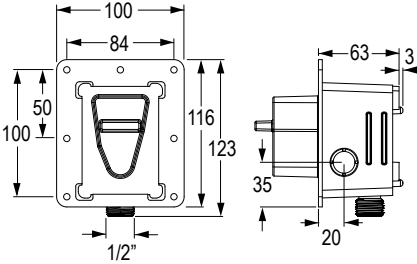
		<p>Spout 220 mm, chromed</p> <p>Spout 220 mm for CONGENIAL FIT concealed wall-mounted faucet and CONGENIAL multiple washing system.</p> <p>Length: 220 mm          Diameter: 38 mm          Material: chromed brass          Flow controller: 6 l</p>
Description	Length	Article number
Spout 220 mm	220 mm	<b>CONO820220</b>



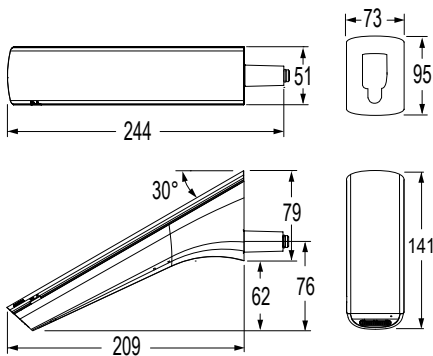
CONTI 



## Accessories for ultra concealed wall-mounted faucet GW20

		<p>Shell set U3U, for concealed installation of wall-mounted lavatory faucets GW20</p> <ul style="list-style-type: none"> <li>• Concealed housing, stop valve and protective cover</li> <li>• Valve unit with integrated shut-off (TwistStop)</li> <li>• Flush connector</li> </ul>
Description	Type	Article number
ultra shell set U3U	Shell set with stop valve and flush connector	<b>220.060.00</b>

## ultra concealed wall-mounted faucet GW20



ultra concealed wall-mounted faucet GW20, with IR sensor, without temperature-mixing, chromed - final installation set

Touchless, electronically controlled lavatory faucet:

- For cold water or premixed water
- Sturdy metal housing
- Dual infrared sensors (with automatic setting feature), microprocessor
- Reliable solenoid valve ROBUST (minimal level of water pressure surge)
- Vandal-resistant aerator (replaceable with integrated tool)
- Built-in filter
- TwistStop: integrated automatic shut-off for facilitate replacing or cleaning the filter
- Strainer cleaning (no shut-off required)
- One Tool Service - all system parts accessible from above
- 12 or 24-hour hygienic flush, activatable with Touch
- Integrated battery unit for VARIO connect version
- Battery version is prepared for conversion to mains supply
- Automatic energy saving function (solar) and safety shutdown
- Installation in combination with ultra shell set U3U (not included)
- Compatible with Service APP: Control of stored operational data, settings and control functions

Battery: 6 V Lithium CRP2; life time up to 4 years  
 VARIOconnect: For single and multiple power supply and data connection (Connection CNX or Service APP - see accessories)  
 Solar: Photovoltaic cell in combination with 4x1,5 V Alkaline AA batteries (backup batteries) life time up to 8 years

Operating pressure: 0,3-10 bar  
 Flow rate (approx.): 6 l/min (3 bar)  
 Water temperature (max.): 80 °C  
 Aerator: Aerator RC  
 Connection: G 1/2  
 Built-in filter: 0,5 mm mesh size  
 Sensor sensitivity: Automatic self-adapting sensor technology  
 Follow-up time: 1 s pre-set (adjustable with Touch 0-10 s)  
 Continuous water flow and hygienic flush time: 2 min pre-set (adjustable with Touch 0,5-20 min)  
 Temporary-off: 2 min (fixed)  
 Engineering standards: DIN EN 200; CE

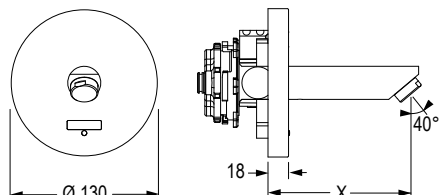
Required accessory: 220.060.00 ultra shell set U2U

Note: Service APP only available in conjunction with BLE Converter - no permanent evaluation option.

When using the Service APP, the BLE Converter must be ordered separately.

Stromversorgung	Drain assembly	Colour	Article number
Battery	Without	Chrome	<b>164.040.11</b>
Mains operation	Without	Chrome	<b>164.056.11</b>
Solar	Without	Chrome	<b>164.048.11</b>

## lino concealed wall-mounted faucet WV20



lino concealed wall-mounted faucet WV20, with IR sensor, without temperature-mixing, chromed - final installation set

Touchless, electronically controlled lavatory faucet for flush mounting:

- For cold water or premixed water
- Sturdy version, front plate and spout made of metal, chromed
- Reliable solenoid valve ROBUST (minimal level of water pressure surge)
- Dual infrared sensors (with automatic setting feature), microprocessor
- Check valve and built-in filter
- Temporary-off (cleaning) and continuous water flow time (filling of basin) activated by Click-plus
- Continuous water flow time and hygienic flush time adjustable with function key
- Follow-up time and sensor sensitivity adjustable with function key
- 12, 24 or 48-hour hygienic flush activatable with function key
- Easy installation in combination with shell set Hansavarox basic unit U3V (not included)
- Compatible with CNX and Service APP: Control of stored operational data, settings and control functions


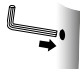



Click: Recessed function key - without additional functions  
 Click-plus: Protruding function key Click-plus (continuous-on, temporary-off)

Spout (x): 120 mm / 170 mm / 220 mm  
 Battery: 6 V Lithium CRP2 - commercial; life time up to 4 years  
 VARIOconnect: For single and multiple power supply and data connection (Connection CNX and Service APP - see accessories)

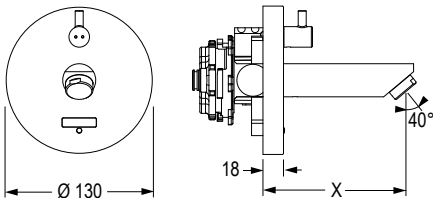
Operating pressure: 0,3-10 bar  
 Flow rate (approx.): 6 l/min / 1,6 gpm (3 bar)  
 Water temperature (max.): 80 °C  
 Aerator: Economic aerator, CASCADE (self-cleaning)  
 Built-in filter: 0,3 mm mesh size  
 Sensor sensitivity: Automatic self-adapting sensor technology  
 Follow-up time: 1 s pre-set (adjustable with function key 0-10 s)  
 Continuous water flow and hygienic flush time: 2 min pre-set (adjustable with function key 0,5-20 min)  
 Temporary-off: 2 min (fixed)  
 Engineering standards: DIN EN 200; Noise class I; CE

Required accessory: 220.027.00 shell set Hansavarox U3V

Note: When integrated into the CNX Water Management System, the CNX Converter 6 V must be ordered separately.  
 Service APP only available in conjunction with BLE Converter - no permanent evaluation option.  
 When using the Service APP, the BLE Converter must be ordered separately.

Versions		 Function key Click-plus	 Function key Click
Power supply	Spout (x)	Article number	Article number
 Battery	120 mm	<b>120.311.11</b>	<b>120.331.11</b>
	170 mm	<b>120.310.11</b>	<b>120.330.11</b>
	220 mm	<b>120.312.11</b>	<b>120.332.11</b>
 VARIOconnect 	120 mm	<b>120.321.11</b>	<b>120.341.11</b>
	170 mm	<b>120.320.11</b>	<b>120.340.11</b>
	220 mm	<b>120.322.11</b>	<b>120.342.11</b>

## lino concealed wall-mounted faucet WV10



lino concealed wall-mounted faucet WV10, with IR sensor, with temperature-mixing, chromed - final installation set

Touchless, electronically controlled lavatory faucet for flush mounting:

- Sturdy version, front plate and spout made of metal, chromed
- Reliable solenoid valve ROBUST (minimal level of water pressure surge)
- Dual infrared sensors (with automatic setting feature), microprocessor
- Check valves and built-in filters
- Adjustable hot water limitation (mechanically)
- Temperature adjustable
- Temporary-off (cleaning) and continuous water flow time (filling of basin) activated by Click-plus
- Continuous water flow time and hygienic flush time adjustable with function key
- Follow-up time and sensor sensitivity adjustable with function key
- 12, 24 or 48-hour hygienic flush activatable with Click
- Easy installation in combination with shell set Hansavarox basic unit U3V (not included)
- Compatible with CNX and Service APP: Control of stored operational data, settings and control functions

Click: Recessed function key - without additional functions  
 Click-plus: Protruding function key Click-plus (continuous-on, temporary-off)

Spout (x): 120 mm / 170 mm / 220 mm  
 Battery: 6 V Lithium CRP2 - commercial; life time up to 4 years  
 VARIOconnect: For single and multiple power supply and data connection (Connection CNX and Service APP - see accessories)






Operating pressure: 0,3-10 bar  
 Flow rate (approx.): 6 l/min / 1,6 gpm (3 bar)  
 Water temperature (max.): 80 °C  
 Aerator: Economic aerator, CASCADE (self-cleaning)  
 Built-in filters: 0,3 mm mesh size  
 Sensor sensitivity: Automatic self-adapting sensor technology  
 Follow-up time: 1 s pre-set (adjustable with function key 0-10 s)  
 Continuous water flow and hygienic flush time: 2 min pre-set (adjustable with function key 0,5-20 min)  
 Temporary-off: 2 min (fixed)  
 Engineering standards: DIN EN 200; Noise class I; CE

Required accessory: 220.027.00 shell set Hansavarox U3V


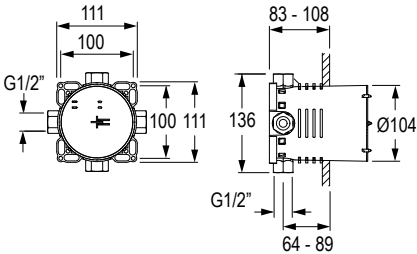
Note: When integrated into the CNX Water Management System, the CNX Converter 6 V must be ordered separately.

Service APP only available in conjunction with BLE Converter - no permanent evaluation option.

When using the Service APP, the BLE Converter must be ordered separately.

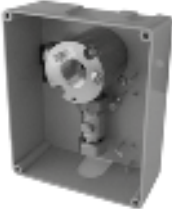
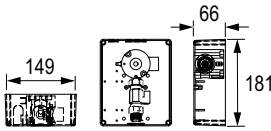
Versions		 Function key Click-plus	 Function key Click
Power supply	Spout (x)	Article number	Article number
 Battery	120 mm	<b>120.471.11</b>	<b>120.371.11</b>
	170 mm	<b>120.470.11</b>	<b>120.370.11</b>
	220 mm	<b>120.472.11</b>	<b>120.372.11</b>
 VARIOconnect 	120 mm	<b>120.481.11</b>	<b>120.381.11</b>
	170 mm	<b>120.480.11</b>	<b>120.380.11</b>
	220 mm	<b>120.482.11</b>	<b>120.382.11</b>

## Accessories lino concealed wall-mounted faucet WV10 / WV20

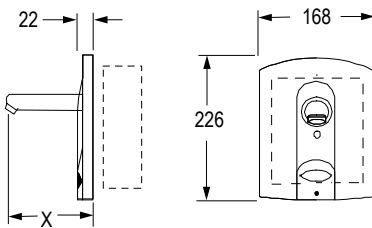
		<p>HANSAVAROX basic unit U3V, compact-solution, DN15 (shell set)</p> <p>VAROX basic unit, compact-solution, DN15 flush-mounted-body:</p> <ul style="list-style-type: none"> <li>• Depth of installation: 83-108 mm</li> <li>• Connection device: low-dezincifying brass (MS 63)</li> <li>• Installation box with protection cover made of plastic</li> <li>• Gasket ring</li> <li>• Suitable for drywall installation</li> <li>• Multifix-fastener system with G 1/2 connections (1 closing plug included)</li> <li>• Built-in special B-Lock leakage test plug</li> <li>• Flushing according to DIN 1988 with B-Lock leakage test plug</li> <li>• Backflow prevention according to DIN EN1717</li> </ul> <p>Engineering standards: <b>CE</b></p>
Description	Version	Article number
HANSAVAROX basic unit U3V	Shell set without stop valve	<b>220.027.00</b>

	<p>Special flushing plug according to DIN 1988</p> <p>VAROX basic unit, compact solution, DN15, concealed installation body for HANSAVAROX basic unit U3V.</p> <p>The special flushing plug (accessory) is used for flushing for:</p> <ul style="list-style-type: none"> <li>• lino concealed washbasin mixers WV10 / WV20 (absolutely necessary for flushing)</li> <li>• lino concealed shower faucets DV30 / DV35 (flushing also possible with push-off plug).</li> </ul> <p>Standard: <b>CE</b></p>	
Description	Version	Article number
Special flushing plug	suitable for HANSAVAROX basic unit U3V	<b>550.024.00</b>

## Accessories iQ concealed wall-mounted faucet A50

		<p>Shell set U3A, for concealed wall-mounted faucet A50</p> <ul style="list-style-type: none"> <li>• Concealed housing, stop valve and protective cover</li> <li>• Valve body, stop valve (3/4 connections) and mounting plate</li> <li>• Solenoid valve included</li> </ul>
Description	Type	Article number
Shell set U3A	Shell set with stop valve	<b>200.027.00</b>

## iQ concealed wall-mounted faucet A50



iQ concealed wall-mounted faucet A50, with IR sensor, without temperature-mixing, stainless-steel - final installation set

Touchless, electronically controlled faucet for flush mounting:

- For cold water or premixed water
- Sturdy version, brushed stainless-steel front cover and spout
- Reliable solenoid valve ROBUST (minimal level of water pressure surge) and economic aerator
- Dual infrared sensors (with automatic setting feature), microprocessor
- Temporary-off (cleaning) and continuous water flow time (filling of basin) activated by Click-plus
- Continuous water flow with Click-plus adjustable
- Follow-up time and sensor sensitivity adjustable with function key
- 12, 24 or 48-hour hygienic flush adjustable with Click
- Easy installation in combination with shell set U3A (not included)
- Compatible with Service APP: control of stored operational data, settings and control functions

Click: Recessed function key - without additional functions  
 Click-plus: Protruding function key Click-plus (continuous-on, temporary-off)


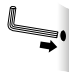



Spout (x): 120 mm / 170 mm / 220 mm  
 Battery: 6 V Lithium CRP2 - commercial; life time up to 4 years  
 VARIOconnect: For single and multiple power supply and data connection (Connection CNX and Service APP - see accessories)

Operating pressure: 0,3-10 bar  
 Flow rate (approx.): 6 l/min / 1,6 gpm (3 bar)  
 Water temperature (max.): 80 °C  
 Aerator: Economic aerator, CASCADE (self-cleaning)  
 Built-in filter: 0,5 mm mesh size  
 Sensor sensitivity: Automatic self-adapting sensor technology  
 Follow-up time: 1 s pre-set (adjustable with function key 0-10 s)  
 Continuous water flow and hygienic flush time: 2 min pre-set (adjustable with function key 0,5-20 min)  
 Temporary-off: 2 min (fixed)  
 Engineering standards: DIN EN 200; Noise class I; CE

Required accessory: 200.027.00 shell set U3A

Note: Service APP only available in conjunction with BLE Converter - no permanent evaluation option.

When using the Service APP, the BLE Converter must be ordered separately.

Version		 Funktionstaste Click-plus	 Funktionstaste Click
Stromversorgung	Ausladung (x)	Article number	Article number
 Batterie	120 mm	<b>100.311.00</b>	<b>100.331.00</b>
	170 mm	<b>100.310.00</b>	<b>100.330.00</b>
	220 mm	<b>100.312.00</b>	<b>100.332.00</b>
 VARIOconnect 	120 mm	<b>100.321.00</b>	<b>100.341.00</b>
	170 mm	<b>100.320.00</b>	<b>100.340.00</b>
	220 mm	<b>100.322.00</b>	<b>100.342.00</b>

CONTI 





# CONBASE exposed wall-mounted faucet, IR sensor, without mixing, connection from top



CONBASE exposed wall-mounted faucet, IR sensor, without mixing, spout 105 mm

Touchless, electronically controlled exposed wall-mounted faucet.

- Connection from top
- For connection to cold or premixed water
- Without mixing
- Compatible with CNX and Service APP: control of stored operational data, settings and control functions

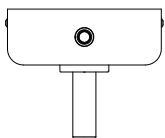
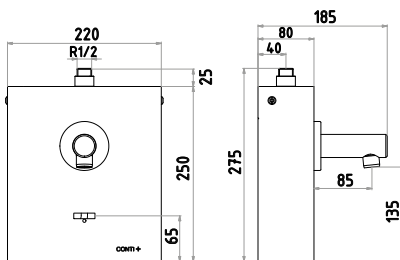
Power supply (battery): 6 V/DC  
 Power supply (mains): 12 V/DC  
 Operating pressure: 1,5-5,0 bar  
 Flow rate: 6 l/min (3 bar)  
 Water temperature (max.): 70 °C  
 Water run time setting range: 3-180 s  
 Water run time factory setting: 30 s  
 Hygienic flush factory setting: 2 min pre-set (adjustable with Click 0,5-20 min)  
 Connection thread: R 1/2 AG

Dimensions (WxHxD): 220x250x185 mm  
 Spout height: 135 mm  
 Projection: 165 mm

**Option\*:** Spout in stainless steel V4A

**Note:** When integrated into the CNX Water Management System, the CNX Converter 6 V must be ordered separately.

When using the Service APP, the BLE Converter must be ordered separately.



\* Example with spout in stainless steel V4A



Power supply	Projection	Colour	Article number
Battery	165 mm	brushed stainless steel	<b>CONE3518178100</b>
Main power supply	165 mm	brushed stainless steel	<b>CONE3518178200</b>

## CONBASE exposed wall-mounted faucet, IR sensor, without mixing, connection from back



CONBASE exposed wall-mounted faucet, IR sensor, without mixing, spout 105 mm

Touchless, electronically controlled exposed wall-mounted faucet.

- Connection from back
- For connection to cold or premixed water
- Without mixing
- Compatible with CNX and Service APP: control of stored operational data, settings and control functions

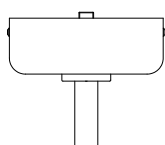
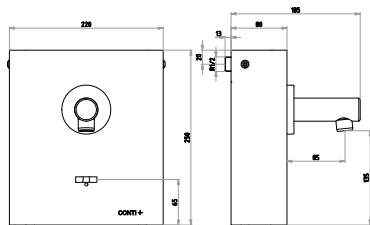
Power supply (battery): 6 V/DC  
 Power supply (mains): 12V/DC  
 Operating pressure: 1,5-5,0 bar  
 Flow rate: 6 l/min (3 bar)  
 Water temperature (max.): 70 °C  
 Water run time setting range: 3-180 s  
 Water run time factory setting: 30 s  
 Hygienic flush factory setting: 2 min pre-set (adjustable with Click 0,5-20 min)  
 Connection thread: R 1/2 AG

Dimensions (WxHxD): 220x250x185 mm  
 Spout height: 135 mm  
 Projection: 165 mm

**Option\*:** Spout in stainless steel V4A



**Note:** When integrated into the CNX Water Management System, the CNX Converter 6 V must be ordered separately.

When using the Service APP, the BLE Converter must be ordered separately.



\*Example with spout in stainless steel V4A



Power supply	Projection	Colour	Article number
 Battery	165 mm	brushed stainless steel	<b>CONE3519178100</b>
 Main power supply	165 mm	brushed stainless steel	<b>CONE3519178200</b>

## CONBASE exposed wall-mounted faucet, IR sensor, without mixing, connection from top



CONBASE exposed wall-mounted faucet, IR sensor, without mixing, spout 225 mm

Touchless, electronically controlled exposed wall-mounted faucet.

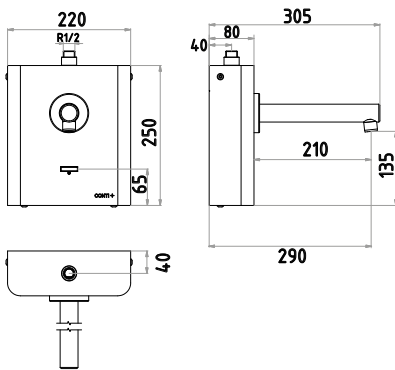
- Connection from top
- For connection to cold or premixed water
- Without mixing
- Compatible with CNX and Service APP: control of stored operational data, settings and control functions

Power supply (battery): 6 V/DC  
 Power supply (mains): 12 V/DC  
 Operating pressure: 1,5-5,0 bar  
 Flow rate: 6 l/min (3 bar)  
 Water temperature (max.): 70 °C  
 Water run time setting range: 3-180 s  
 Water run time factory setting: 30 s  
 Hygienic flush factory setting: 2 min pre-set (adjustable with Click 0,5-20 min)  
 Connection thread: R 1/2 AG

Dimensions (WxHxD): 220x250x305 mm  
 Spout height: 135 mm  
 Projection: 290 mm

Note: When integrated into the CNX Water Management System, the CNX Converter 6 V must be ordered separately.

When using the Service APP, the BLE Converter must be ordered separately.



Power supply	Ausladung	Colour	Article number
Battery	290 mm	brushed stainless steel	<b>CONE3518178120</b>
Main power supply	290 mm	brushed stainless steel	<b>CONE3518178220</b>

Faucets electronic

## CONBASE exposed wall-mounted faucet, IR sensor, without mixing, connection from back



### CONBASE exposed wall-mounted faucet, IR sensor, without mixing, spout 225 mm

Touchless, electronically controlled exposed wall-mounted faucet.

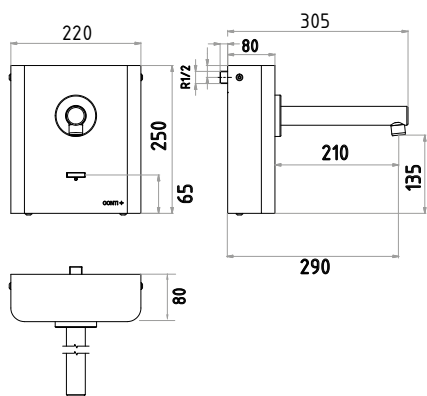
- Connection from top
- For connection to cold or premixed water
- Without mixing
- Compatible with CNX and Service APP: control of stored operational data, settings and control functions

Power supply (battery):	6 V/DC
Power supply (mains):	12V/DC
Operating pressure:	1,5-5,0 bar
Flow rate:	6 l/min (3 bar)
Water temperature (max.):	70 °C
Water run time setting range:	3-180 s
Water run time factory setting:	30 s
Hygienic flush factory setting:	2 min pre-set (adjustable with Click 0,5-20 min)
Connection thread:	R 1/2 AG

Dimensions (WxHxD):	220x250x305 mm
Spout height:	135 mm
Projection:	290 mm

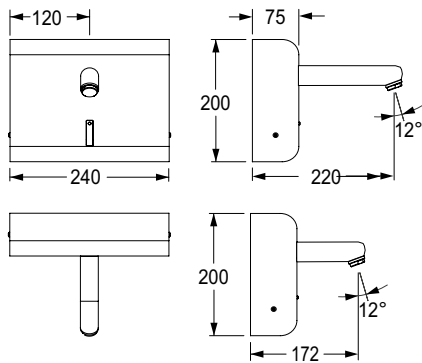
Note: When integrated into the CNX Water Management System, the CNX Converter 6 V must be ordered separately.

When using the Service APP, the BLE Converter must be ordered separately.



Power supply	Projection	Colour	Article number
Battery	290 mm	brushed stainless steel	<b>CONE3519178120</b>
Main power supply	290 mm	brushed stainless steel	<b>CONE3519178220</b>

## lino exposed wall-mounted faucet K20



lino exposed wall-mounted faucet K20, with IR sensor, without temperature-mixing (for cold or premixed water), stainless-steel

Touchless, electronically controlled wall-mounted faucet for surface installation:

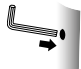




- Sturdy stainless-steel housing with stiff spout (not pivotal)
- Infrared sensors with automatic setting feature, microprocessor
- Reliable solenoid valve ROBUST (minimal level of water pressure surge) and economic aerator
- Cold water supply connection with flexible high-pressure hose, built-in filter
- Temporary-off (cleaning) and continuous water flow time (filling of basin) activated by Click
- Continuous water flow time and hygienic flush time adjustable with function key
- Follow-up time and sensor sensitivity adjustable with function key
- 12, 24 or 48-hour hygienic flush activatable with function key
- Installation with wall-mounting frame, opens to the front
- Compatible with CNX and Service APP: Control of stored operational data, settings and control functions

Click: Recessed function key - without additional functions

Spout: 172 mm / 220 mm  
 Battery: 6 V Lithium CRP2 - commercial; life time up to 4 years  
 Mains supply: Plug-in transformer 110-240 V 50-60 Hz / 6 V

Operating pressure: 0,3-10 bar  
 Flow rate (approx.): 6,5 l/min / 1,7 gpm (3 bar)  
 Water temperature (max.): 80 °C  
 Aerator: Economic aerator, CASCADE (self-cleaning)  
 Flexible hose: 350 mm  
 Angle valve connection: G 3/8  
 Built-in filter: 0,5 mm mesh size  
 Sensor sensitivity: Automatic self-adapting sensor technology  
 Follow-up time: 1 s pre-set (adjustable with Touch 0-10 s)  
 Continuous water flow and hygienic flush time: 2 min pre-set (adjustable with Touch 0,5-20 min)  
 Temporary-off: 2 min (fixed)  
 Engineering standards: DIN EN 200; Noise class I; CE

Note: When integrated into the CNX Water Management System, the CNX Converter 6 V must be ordered separately.  
 When using the Service APP, the BLE Converter must be ordered separately.

Versions		 Function key Click	
Power supply	Projection (x)	Colour	Article number
 Battery 	172 mm	stainless steel	<b>110.230.00</b>
	220 mm	stainless steel	<b>110.230.01</b>
 Mains supply 	172 mm	stainless steel	<b>110.240.00</b>
	220 mm	stainless steel	<b>110.240.01</b>

Faucets electronic

## lino exposed wall-mounted faucet K10



lino exposed wall-mounted faucet K10, with IR sensor, with temperature-mixing, stainless-steel

Touchless, electronically controlled wall-mounted faucet for surface installation

- Sturdy stainless-steel housing with stiff spout (not pivotal)
- Infrared sensors with automatic setting feature, microprocessor
- Reliable solenoid valve ROBUST (minimal level of water pressure surge) and economic aerator
- Hot and cold water supply connection with flexible hoses
- Check valves and built-in filters
- fContinuous water flow time and hygienic flush time adjustable with function key
- Follow-up time and sensor sensitivity adjustable with function key
- 12, 24 or 48-hour hygienic flush activatable with function key
- Installation with wall-mounting frame, opens to the front
- Compatible with CNX and Service APP: Control of stored operational data, settings and control functions

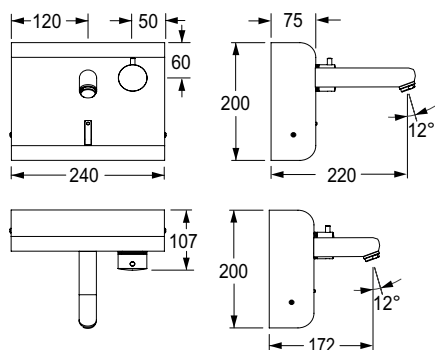
Click: Recessed function key - without additional functions  
 Click-plus: Protruding function key Click-plus (continuous-on, temporary-off)


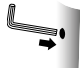


Spout: 172 mm / 220 mm  
 Battery: 6 V Lithium CRP2 - commercial; life time up to 4 years  
 Mains supply: Plug-in transformer 110-240 V 50-60 Hz / 6 V

Operating pressure: 0,3-10 bar  
 Flow rate (approx.): 6,5 l/min / 1,7 gpm (3 bar)  
 Water temperature (max.): 80 °C  
 Aerator: Economic aerator, CASCADE (self-cleaning)  
 Flexible hoses: 350 mm  
 Angle valve connection: G 3/8  
 Built-in filters: 0,5 mm mesh size  
 Sensor sensitivity: Automatic self-adapting sensor technology  
 Follow-up time: 1 s pre-set (adjustable with function key 0-10 s)  
 Continuous water flow and hygienic flush time: 2 min pre-set (adjustable with function key 0,5-20 min)  
 Temporary-off: 2 min (fixed)  
 Engineering standards: DIN EN 200; Noise class I; CE

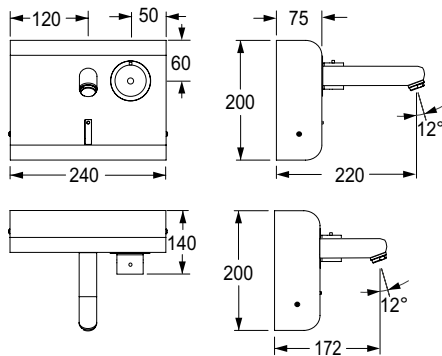
Optional: Conversion kit temperature handle with fixed temperature limit at 42 °C (see accessories)

Note: When integrated into the CNX Water Management System, the CNX Converter 6 V must be ordered separately.  
 When using the Service APP, the BLE Converter must be ordered separately.



Versions		 Function key Click-plus	 Function key Click
Power supply	Spout (x)	Article number	Article number
 Battery	172 mm	<b>110.250.00</b>	<b>110.270.00</b>
	220 mm	<b>110.250.01</b>	<b>110.270.01</b>
 Concealed mains power supply	172 mm	<b>110.260.00</b>	<b>110.280.00</b>
	220 mm	<b>110.260.01</b>	<b>110.280.01</b>

## lino exposed wall-mounted faucet K30



lino exposed wall-mounted faucet K30, with IR sensor, with thermostat, stainless-steel

Touchless, electronically controlled faucet for surface installation:

- Sturdy stainless-steel housing with stiff spout (not pivotal)
- Infrared sensors with automatic setting feature, microprocessor
- Reliable solenoid valve ROBUST (minimal level of water pressure surge) and economic aerator
- Hot and cold water supply connection with flexible high-pressure hoses
- Check valves and built-in filters
- Temporary-off (cleaning) and continuous water flow time (filling of basin) activated by Click-plus
- Continuous water flow time and hygienic flush time adjustable with function key
- Follow-up time and sensor sensitivity adjustable with function key
- 12, 24 or 48-hour hygienic flush activatable with function key
- Installation with wall-mounting frame, opens to the front
- Compatible with CNX and Service APP: Control of stored operational data, settings and control functions

Click: Recessed function key - without additional function  
 Click-plus: Protruding function key Click-plus (continuous-on, temporary-off)


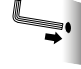


Spout: 172 mm / 220 mm  
 Battery: 6 V Lithium CRP2 - commercial; life time up to 4 years  
 Mains supply: Plug-in transformer 110-240V 50-60Hz / 6V

Operating pressure: 0,3-10 bar  
 Flow rate (approx.): 6,5 l/min / 1,7 (3 bar)  
 Water temperature (max.): 80 °C  
 Aerator: Economic aerator, CASCADE (self-cleaning)  
 Flexible hoses: 350 mm  
 Angle valve connection: G 3/8  
 Built-in filters: 0,5 mm mesh size  
 Sensor sensitivity: Automatic self-adapting sensor technology  
 Follow-up time: 1 s pre-set (adjustable with function key 0-10 s)  
 Continuous water flow and hygienic flush time: 2 min pre-set (adjustable with function key 0,5-20 min)  
 Temporary-off: 2 min (fixed)  
 Engineering standards: DIN EN 200; Noise class I; CE

Optional: Conversion kit temperature handle with fixed temperature limit at 42 °C (see accessories)  
 Optionally available with piezo pushbutton

Note: When integrated into the CNX Water Management System, the CNX Converter 6 V must be ordered separately.

When using the Service APP, the BLE Converter must be ordered separately.

Versions		 Function key Click-plus	 Function key Click
Power supply	Spout (x)	Article number	Article number
 Battery	172 mm	<b>110.251.00</b>	<b>110.271.00</b>
	220 mm	<b>110.251.01</b>	<b>110.271.01</b>
 Concealed mains power supply	172 mm	<b>110.261.00</b>	<b>110.281.00</b>
	220 mm	<b>110.261.01</b>	<b>110.281.01</b>

## lino exposed wall-mounted faucet W35



lino exposed wall-mounted faucet W35, with IR sensor, with thermostat, chromed

Touchless, electronically controlled wall-mounted faucet for surface installation:

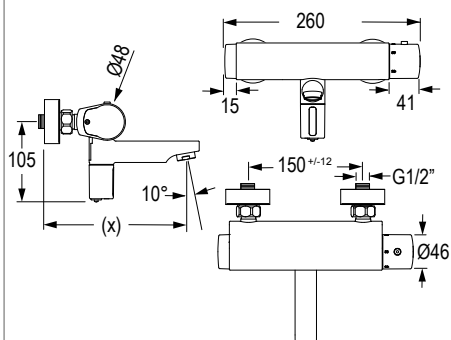
- Sturdy version, faucet body made of brass, chromed
- Stiff spout and fixed sensor
- Dual infrared sensors (with automatic setting feature), microprocessor
- Reliable solenoid valve ROBUST (minimal level of water pressure surge) and economic aerator
- Temperature adjustable with thermostat-cartridge
- With anti-scalding and auto-thermic protection
- Temporary-off (cleaning) and continuous water flow time (filling of basin) activated by Click-plus
- Continuous water flow adjustable with Click
- Follow-up time and sensor sensitivity adjustable with function key
- 12, 24 or 48-hour hygienic flush activatable with Click
- Including S-connectors 3/4" and rosettes (lockable S-connector optional)
- Compatible with Service Monitor: control of stored operational data, settings and control functions


Battery: 6 V Lithium CRP2 - commercial; life time up to 4 years  
 Spout (x): 200 mm / 260 mm

Operating pressure: 0,3-10 bar  
 Flow rate (approx.): 5 l/min / 1,3 gpm (3bar)  
 Water temperature (max.): 80 °C  
 Aerator: Economic aerator, CASCADE (self-cleaning)  
 Built-in filters: 0,5 mm mesh size  
 Sensor sensitivity: Automatic self-adapting sensor technology  
 Follow-up time: 1 s pre-set (adjustable with Click 0-10 s)  
 Continuous water flow: 2 min pre-set (adjustable with Click 0,5-20 min)  
 Hygienic flush time: Adjustable with Touch 3 sec.-20 min.; 2 min (fixed)  
 Temporary-off: 2 min (fixed)  
 Engineering standards: DIN EN 200; CE

**Optional:** Conversion kit temperature handle with fixed temperature limit at 42 °C (see accessories)

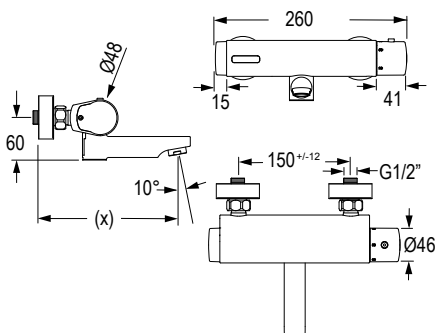
**Note:** Service APP only available in conjunction with BLE Converter - no permanent evaluation option.  
 When using the Service APP, the BLE Converter must be ordered separately.



Power supply	Spout (x)	Colour	Article number
 Battery	200 mm	Chromed	<b>110.305.11</b>
	260 mm	Chromed	<b>110.306.11</b>



## lino exposed wall-mounted faucet W45



lino exposed wall-mounted faucet W45, with touchless Start/Stop function, with thermostat, chromed

Electronically controlled wall-mounted faucet for surface installation with touchless start/stop function (close detection):

- Sturdy version, faucet body made of brass, chromed
- Stiff spout
- Dual infrared sensors (close detection), microprocessor
- Reliable solenoid valve ROBUST (minimal level of water pressure surge) and economic aerator
- Temperature adjustable with thermostat-cartridge
- With anti-scalding and auto-thermic protection
- Temporary-off (cleaning) and continuous water flow time (filling of basin) adjustable with Touch
- Continuous-on and hygienic flush time activated by Touch
- Water flow time, sensor sensitivity activated by Touch
- 12, 24 or 48-hour hygienic flush adjustable with Touch
- Including S-connectors 3/4" and rosettes (lockable S-connector optional)

Battery: 6 V Lithium CRP2 - commercial; life time up to 4 years  
 Spout (x): 200 mm / 260 mm

Operating pressure: 0,3-10 bar  
 Flow rate (approx.): 5 l/min / 1,3 gpm (3 bar)  
 Water temperature (max.): 80 °C  
 Aerator: Economic aerator, CASCADE (self-cleaning)  
 Built-in filters: 0,5 mm mesh size  
 Water flow time: 7 s pre-set (adjustable with Touch 1-30 s)  
 Continuous water flow and hygienic rinse time: 2 min pre-set (adjustable with Touch 0,5-20 min)  
 Temporary-off: 2 min (fixed);  
 Engineering standards: DIN EN 200; CE

**Optional:** Conversion kit temperature handle with fixed temperature limit at 42 °C (see accessories)  
 S-connector with stop valve, for exposed wall-mounted faucets (see accessories)

**Note:** Service APP only available in conjunction with BLE Converter - no permanent evaluation option.  
 When using the Service APP, the BLE Converter must be ordered separately.

Power supply	Spout (x)	Colour	Article number
Battery	200 mm	Chromed	<b>110.307.11</b>
	260 mm	Chromed	<b>110.308.11</b>

Faucets electronic

# CONGENIAL double faucet assembly kit, piezo switch, thermostat, stainless steel



## CONGENIAL double faucet assembly kit for wash troughs, with piezo switch, with thermostat, stainless steel

Multiple washing system with two electronic wall-mounted faucets for wash troughs, device designed in nominal diameter DN15. With thermostatic mixing device for connection to cold and hot water. Application in new construction building and renovation in commercial, semi-public and public sanitary facilities.

- Multiple washing system with rectangular cover plate
- Cover plate: stainless steel 1.4301, all visible surfaces made of brushed stainless steel
- Corrosion-resistant steel connecting lines
- Multifunction tool for maintenance work
- Adaptive multifunctional water path CONGENIAL with solenoid valve 6 V/DC ROBUST, bistable
- Upgrade and retrofitting functions
- Water path: dezincification resistant forged brass, as a high-quality thermostatic mixer, thermostat handle: chromed brass
- Visible components made of solid chromed brass, with safety stop
- Choice of temperature and setting range
- Integrated check valve in the bypass and check valve and strainer cartridges for water inlets
- All functional parts can be disassembled from the front during maintenance work without removing the water path
- Electronic operation via piezo switch with start/stop function, piezo switch: colour ring red, rosette chromed
- The water flow time is easily adjustable in electronic faucets

Mains: Power supply over 12 V/DC power supply for surface-mounted version in installation box of for DIN top-hat rail mounting

Mains (CNX): Power supply over 30 V/DC power supply in the control panels 64 and 150

### Execution options:

#### Hygienic flush (mains):

Hygienic flush (electronic): the hygienic flush of an electronic faucet can be carried out by programming via the piezo switch or the Service APP per faucet.

#### Water flow time:

The water flow time of the faucet function can be set and disabled for electronic faucets, integrated into the CNX Water Management System or via Service APP through the software parameter settings per faucet or faucet group..

#### Hygienic flush:

The hygienic flush can be set and disabled for electronic faucets, integrated into the CNX Water Management System or via Service APP, by the software parameter settings per faucet or faucet group as interval or calendar function.

#### Thermal disinfection:

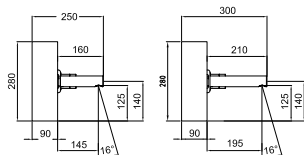
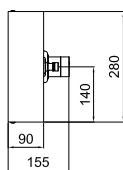
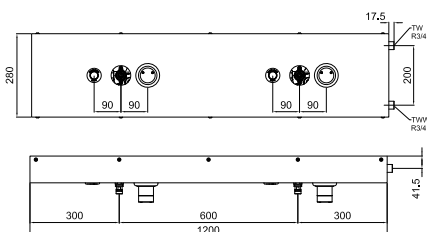
The thermal disinfection can be set as a calendar function in electronic faucets, integrated into the CNX Water Management System, by the software parameter setting per faucet group.

#### Cleaning stop CNX:

The operation stop (cleaning stop), interruption of the faucet function can be set in electronic faucets, integrated into the CNX Water Management System or via Service APP, by the software parameter settings per faucet or faucet group as a calendar function.

#### CNX Water Management System:







Integration of the faucet into the software-controlled CNX Water Management System for the automatic depiction of hygiene, system and safety functions of electronic showers, lavatory faucets and urinal flush valves at the BUS level. Parametrisation of individual devices and device groups. Tamper-proof documentation of all operating, action and function messages.



\* Example with spout



## CONGENIAL double faucet assembly kit, piezo switch, thermostat, stainless steel

<p><b>Technical data:</b></p> <p>Operating voltage (mains): 12 V/DC          Operating voltage (CNX): 30 V/DC          Operating pressure: 1,5-5,0 bar          Water temp. standard operation (max.): 70 °C          Water temp. thermal disinfection: Short-term for therm. disinfection 80 °C          Flow rate DN15: 0,15 l/s (flow rate regulator)          Flow rate during thermal disinfection DN15: 0,05 l/s (flow rate regulator)          Water flow time setting range: 3-180 s          Water flow time factory setting: 30 s          Hygienic flush setting range: 12, 24 or 72 h, can be deactivated via setting on piezo switch, other hygienic flush intervals can be set via Service APP          Hygienic flush factory setting: 12 h after last water flow activation, 30 s water flow time          Electronic protection type: IP68          Dimensions (HxWxD): 1200x280x90 mm          Distance between faucets: 600 mm</p>						<p><b>Required accessories:</b>          central mains power supply or          CNX central operation unit          CONO820170 / CONO820220 Spout 170 / 220 mm*</p> <p><b>Optional accessories</b>          Retrofitting set electronic thermal disinfection</p>	
   							
Version	Power supply	Hygienic flush	Mains CNX	Thermal disinfection CNX	Cleaning stop	Article number	
	12 V/DC series wiring to connect to central mains power supply (see chapter accessories)	•				<b>CONE7312201200</b>	
	30 V/DC power supply to CNX central operating unit (see chapter accessories)	•	•		•	<b>CONE7312201336</b>	
		•	•	•	•	<b>CONE7312201360</b>	
Accessories	see accessories for CONGENIAL multiple washing system	Spout 170 mm, chromed				<b>CONO820170</b>	
		Spout 220 mm, chromed				<b>CONO820220</b>	

Faucets electronic

# CONGENIAL triple faucet assembly kit, piezo switch, thermostat, stainless steel



CONGENIAL triple faucet assembly kit for wash troughs, with piezo switch, with thermostat, stainless steel

Multiple washing system with three electronic wall-mounted faucets for wash troughs, device designed in nominal diameter DN15. With thermostatic mixing device for connection to cold and hot water. Application in new construction building and renovation in commercial, semi-public and public sanitary facilities.

- Multiple washing system with rectangular cover plate
- Cover plate: stainless steel 1.4301, all visible surfaces made of brushed stainless steel
- Corrosion-resistant steel connecting lines
- Multifunction tool for maintenance work
- Adaptive multifunctional water path CONGENIAL with solenoid valve 6 V/DC ROBUST, bistable
- Upgrade and retrofitting functions
- Water path: dezincification resistant forged brass, as a high-quality thermostatic mixer, thermostat handle: chromed brass
- Visible components made of solid chromed brass, with safety stop
- Choice of temperature and setting range
- Integrated check valve in the bypass and check valve and strainer cartridges for water inlets
- All functional parts can be disassembled from the front during maintenance work without removing the water path
- Electronic operation via piezo switch with start/stop function, piezo switch: colour ring red, rosette chromed
- The water flow time is easily adjustable in electronic faucets

Mains: Power supply over 12 V/DC power supply for surface-mounted version in installation box of for DIN top-hat rail mounting  
 Mains (CNX): Power supply over 30 V/DC power supply in the control panels 64 and 150

**Execution options:**

**Hygienic flush (mains):**

Hygienic flush (electronic): the hygienic flush of an electronic faucet can be carried out by programming via the piezo switch or the Service APP per faucet.

**Water flow time:**

The water flow time of the faucet function can be set and disabled for electronic faucets, integrated into the CNX Water Management System or via Service APP through the software parameter settings per faucet or faucet group..

**Hygienic flush:**

The hygienic flush can be set and disabled for electronic faucets, integrated into the CNX Water Management System or via Service APP, by the software parameter settings per faucet or faucet group as interval or calendar function.

**Thermal disinfection:**

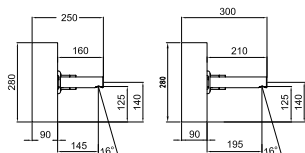
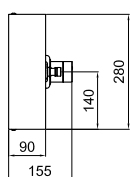
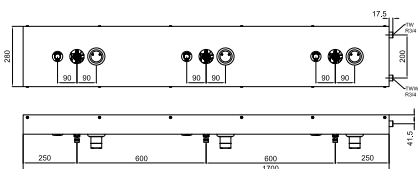
The thermal disinfection can be set as a calendar function in electronic faucets, integrated into the CNX Water Management System, by the software parameter setting per faucet group.

**Cleaning stop CNX:**

The operation stop (cleaning stop), interruption of the faucet function can be set in electronic faucets, integrated into the CNX Water Management System or via Service APP, by the software parameter settings per faucet or faucet group as a calendar function.

**CNX Water Management System:**







Integration of the faucet into the software-controlled CNX Water Management System for the automatic depiction of hygiene, system and safety functions of electronic showers, lavatory faucets and urinal flush valves at the BUS level. Parametrisation of individual devices and device groups. Tamper-proof documentation of all operating, action and function messages.



\* Example with spout


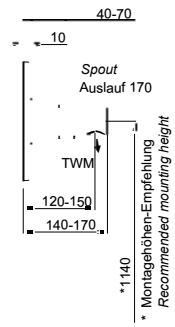



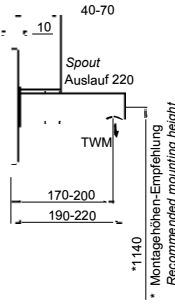
## CONGENIAL triple faucet assembly kit, piezo switch, thermostat, stainless steel

<p><b>Technical data:</b></p> <p>Operating voltage (mains): 12 V/DC          Operating voltage (CNX): 30 V/DC          Operating pressure: 1,5-5,0 bar          Water temp. standard operation (max.): 70 °C          Water temp. thermal disinfection: Short-term for therm. disinfection 80 °C          Flow rate DN15: 0,15 l/s (flow rate regulator)          Flow rate during thermal disinfection DN15: 0,05 l/s (flow rate regulator)          Water flow time setting range: 3-180 s          Water flow time factory setting: 30 s          Hygienic flush setting range: 12, 24 or 72 h, can be deactivated via setting on piezo switch, other hygienic flush intervals can be set via Service APP          Hygienic flush factory setting: 12 h after last water flow activation, 30 s water flow time          Electronic protection type: IP68          Dimensions (HxVxD): 1700x280x90 mm          Distance between faucets: 600 mm</p>						<p><b>Required accessories:</b>          central mains power supply or          CNX central operation unit          CONO820170 / CONO820220 Spout 170 / 220 mm*</p> <p><b>Optional accessories</b>          Retrofitting set electronic thermal disinfection</p>	
<div style="display: flex; justify-content: space-around; align-items: center;">     </div>							
Version	Power supply	Hygienic flush	Mains CNX	Thermal disinfection CNX	Cleaning stop	Article number	
	12 V/DC series wiring to connect to central mains power supply (see chapter accessories)	•				<b>CONE7313201200</b>	
	30 V/DC power supply to CNX central operating unit (see chapter accessories)	•	•		•	<b>CONE7313201336</b>	
		•	•	•	•	<b>CONE7313201360</b>	
Accessories	see accessories for CONGENIAL multiple washing system	Spout 170 mm, chromed				<b>CONO820170</b>	
		Spout 220 mm, chromed				<b>CONO820220</b>	

Faucets electronic

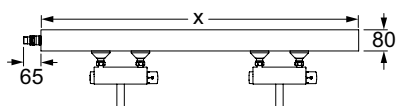
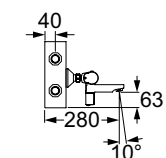
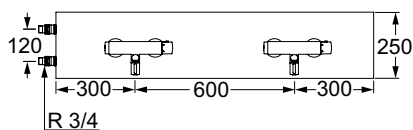
## Accessories for CONGENIAL multiple washing system

		<p><b>Spout 170 mm, chromed</b></p> <p>Spout 170 mm for CONGENIAL FIT concealed wall-mounted faucet and CONGENIAL multiple washing system.</p> <p>Length: 170 mm          Diameter: 38 mm          Material: chromed brass          Flow controller: 6 l</p>
Description	Length	Article number
Spout 170 mm	170 mm	<b>CONO820170</b>

		<p><b>Spout 220 mm, chromed</b></p> <p>Spout 220 mm for CONGENIAL FIT concealed wall-mounted faucet and CONGENIAL multiple washing system.</p> <p>Length: 220 mm          Diameter: 38 mm          Material: chromed brass          Flow controller: 6 l</p>
Description	Length	Article number
Spout 220 mm	220 mm	<b>CONO820220</b>

Faucets electronic

## lino multiple washing system W35



### lino multiple washing system W35, with IR sensor, with thermostat, chromed

Pre-assembled multiple faucet assembly kit with touchless lino exposed wall-mounted faucets W35, chromed, distribution lines in a surface-mounted stainless steel distributor, for wall mounting.

- Sturdy version, valve body DZR-brass
- Stiff spout and fixed sensor
- Dual infrared sensors (with automatic setting feature), microprocessor
- Reliable solenoid valve ROBUST (minimal level of water pressure surge) and economic aerator
- Temperature adjustable (with reliable thermostatic cartridge)
- With anti-scalding and auto-thermic protection
- Temporary-off (cleaning) and continuous water flow time (filling of basin) activated by Click-plus
- Continuous water flow adjustable with Click
- Follow-up time and sensor sensitivity adjustable with function key
- 12, 24 or 48-hour hygienic flush activatable with Click
- Lockable s-connections
- Compatible with Service APP: Control of stored operational data, settings and control functions

Battery: 6 V Lithium CRP2 - commercial; life time up to 4 years

Operating pressure: 0,3-10 bar

Flow rate (approx.): 4 l/min / 1 gpm (3 bar) per faucet

Water temperature (max.): 80 °C

Aerator: Economic aerator, cascade (self-cleaning)

Built-in filter: 0,5 mm mesh size

Sensor sensitivity: Automatic self-adapting sensor technology

Follow-up time: 1 s pre-set (adjustable with 0-10 s)

Continuous water flow: 2 min pre-set (adjustable with 0,5-20 min)

Hygienic flush time: Adjustable with 3 sec.-20 min.; 2 min (fixed)

Temporary-off: 2 min (fixed)

Engineering standards: DIN EN 200;

Spout: 280 mm /10 °C

Mounting height: 350 - 450 mm above washbasin / gully

Number of washing areas: 2 3 4 5 6

Width (X): 1200 1800 2400 3000 3600 mm

Dimensions (HxD): 250x80 mm

Fitting distance: 600 mm

Connection: R 3/4

Engineering standards: DIN EN 200; CE

Note: Service APP only available in conjunction with BLE Converter - no permanent evaluation option.

When using the Service APP, the BLE Converter must be ordered separately.

Power supply	Spout	Faucet units	Article number
Battery	280 mm / 10°	2 piece	<b>CONE7352218100</b>
		3 piece	<b>CONE7353218100</b>
		4 piece	<b>CONE7354218100</b>
		5 piece	<b>CONE7355218100</b>
		6 piece	<b>CONE7356218100</b>







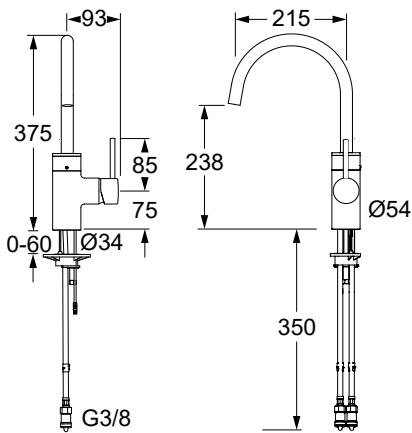
Kitchen faucet

Hybrid kitchen faucet H10 ..... 309

CONTI 



# Hybrid kitchen faucet H10



## Hybrid kitchen faucet H10, single-lever mixer with IR sensor, with temperature-mixing, chromed

Single-lever and touchless, electronically controlled kitchen faucet:

- Modular single-piece design with theft-proof battery box below the washbasin
- Sturdy brass housing, chromed
- High swivel spout, 360°
- Dual IR sensors (with automatic setting feature), microprocessor
- Hot and cold water supply connection with flexible high-pressure hoses
- Check valves and built-in filters
- Temperature and water flow adjustable with single-lever with functionally reliable ceramic cartridge and adjustable scalding protection
- Touchless, electronic function with automatic comfort switch, temperature adjustment for sensor operation over position of the lever in closed state
- Adjustment of the infrared sensor at the position of the bowl (centre, left, right) by rotation
- Temporary-off (cleaning) and continuous water flow time (filling of basin) activated by Click-plus
- Continuous water flow adjustable with function key
- Follow-up time and sensor sensitivity adjustable with function key
- 12 or 24-hour hygienic flush activatable with function key
- Installation similar to conventional kitchen faucets
- Compatible with CNX and Service APP: control of stored operational data, settings and control functions

Click-plus: Protruding function key with additional functions

Battery: 6 V Lithium CRP2 - standard; life time up to 4 years

Mains supply: Plug-in transformer 110-240 V 50/60 Hz / 6 V

VARIOconnect: For single and multiple power supply and data connection (Connection to CNX, Service APP - see accessories)

Operating pressure: 0,3-10 bar

Flow rate: Single-lever mixer: approx. 11 l/min / 2,9 gpm (3 bar)  
Sensor: approx. 5 l/min / 1,3 gpm (1-5 bar)

Flexible hoses: 350 mm

Angle valve connection: G 3/8

Filters: 0,5 mm mesh size

Sensor sensitivity: Automatic self-adapting sensor technology

Sensor range: Activation of object recognition (approx. 250 mm)  
per close sensors (approx. 50 mm)

Follow-up time: 1 sec pre-set (adjustable with function key 0-10 sec.)

Continuous water flow and hygienic flush time: 2 min pre-set (adjustable with function key 0,5-20 min.)

Temporary-off: 2 min (fixed)

Engineering standards: DIN EN 200; CE

Note: When integrated into the CNX Water Management System, the CNX Converter 6 V must be ordered separately.

When using the Service APP, the BLE Converter must be ordered separately.

Power supply		Drain assembly	Colour	Article number
Battery		Without	Chrome	<b>131.800.11CO</b>
Mains operation exposed		Without	Chrome	<b>131.810.11CO</b>
VARIOconnect		Without	Chrome	<b>131.816.11CO</b>





## **Mechanical faucets**

### **Lavatory and wall-mounted faucets**

lino SoftTouch .....	312
CONWASH .....	312
CONMED .....	318

### **Thermostatic mixing valve**

For mounting under the table .....	320
------------------------------------	-----

## lino SofTouch ST20, stainless steel, without mixing

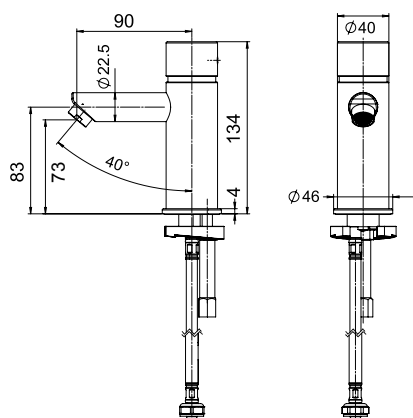


## lino SofTouch ST20, stainless steel, without mixing

Hydraulic controlled self-closing faucet.

- For connection to cold or premixed water
- Depending on activating duration water run time could be adjusted (run time  $12 \pm 3$  s at activating duration of 1 s)
- Reliable hydraulic cartridge
- Vandal-proof hydraulic cartridge due to limited actuation path of press button
- Casing and press button: stainless steel

Operating pressure:	0,5–10 bar
Flow rate:	6 l/min (3 bar)
Water temperature (max.):	80°C
Activation force (max.):	15 N (independent of water pressure)
Flexible hoses:	approx. 350 mm
Angle valve connection:	G 3/8
Built-in filters:	0,5 mm mesh size
Jet angle:	40°
Spout height:	83 mm
Projection:	90 mm
Standards:	DIN EN200, EN 816; <b>CE</b>



Description

Spout projection

Colour

Article number

lino SofTouch ST20, without mixing

90 mm

Stainless steel

**CONM8110104000**

## lino SofTouch ST20, chromed, without mixing



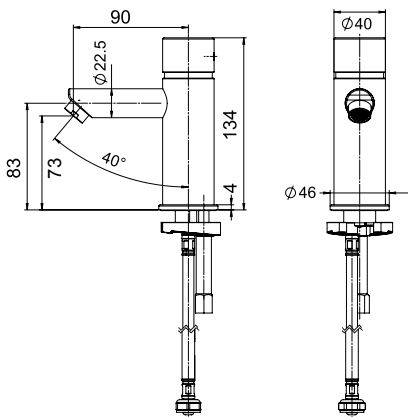
### lino SofTouch ST20, chromed, without mixing

Hydraulic controlled self-closing faucet.

- For connection to cold or premixed water
- Depending on activating duration water run time could be adjusted (run time  $12 \pm 3$  s at activating duration of 1 s)
- Reliable hydraulic cartridge
- Vandal-proof hydraulic cartridge due to limited actuation path of press button
- Casing and press button: stainless steel, chromed

Operating pressure: 0,5–10 bar  
 Flow rate: 6 l/min (3 bar)  
 Water temperature (max.): 80°C  
 Activation force (max.): 15 N (independent of water pressure)  
 Flexible hoses: approx. 350 mm  
 Angle valve connection: G 3/8  
 Built-in filters: 0,5 mm mesh size

Jet angle: 40°  
 Spout height: 83 mm  
 Projection: 90 mm  
 Standards: DIN EN200, EN 816; CE



Description	Spout projection	Colour	Article number
lino SofTouch ST20, without mixing	90 mm	Chromed	<b>CONM8150104000</b>

## lino SofTouch ST10, stainless steel, with mixing

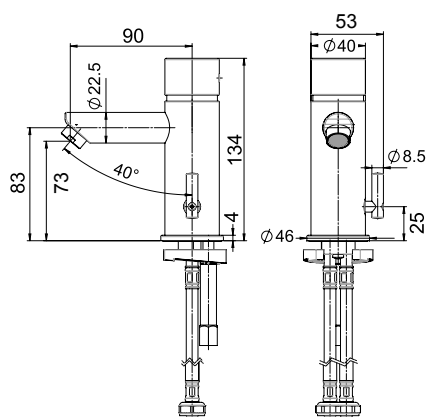


## lino SofTouch ST10, stainless steel, with mixing

Hydraulic controlled self-closing faucet.

- For connection to hot and cold water
- Depending on activating duration water run time could be adjusted (run time  $12 \pm 3$  s at activating duration of 1 s)
- Adjustable temperature
- Adjustable hot water fixation
- Reliable hydraulic cartridge
- Vandal-proof hydraulic cartridge due to limited actuation path of press button
- Casing and press button: stainless steel

Operating pressure:	0,5- 10 bar
Flow rate:	6 l/min (3 bar)
Water temperature (max.):	80 °C
Activation force (max.):	15 N (independent of water pressure)
Flexible hoses:	approx. 350 mm
Angle valve connection:	G 3/8
Built-in filters:	0,5 mm mesh size
Jet angle:	40°
Spout height:	83 mm
Projection:	90 mm
Standards:	DIN EN200, EN 816; <b>CE</b>



Description

Spout projection

Colour

Article number

lino SofTouch ST20, with mixing

90 mm

Stainless steel

**CONM8110204000**



## lino SofTouch ST10, chromed, with mixing



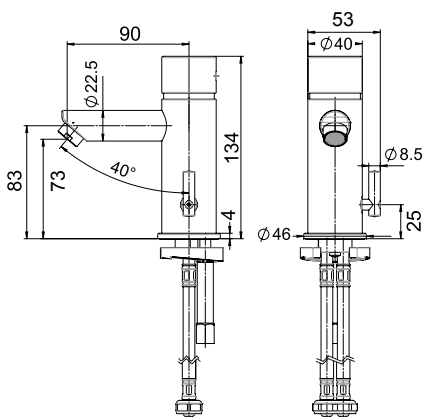
### lino SofTouch ST10, chromed, with mixing

Hydraulic controlled self-closing faucet.

- For connection to hot and cold water
- Depending on activating duration water run time could be adjusted (run time  $12 \pm 3$  s at activating duration of 1 s)
- Adjustable temperature
- Adjustable hot water fixation
- Reliable hydraulic cartridge
- Vandal-proof hydraulic cartridge due to limited actuation path of press button
- Casing and press button: stainless steel, chromed

Operating pressure: 0,5- 10 bar  
 Flow rate: 6 l/min (3 bar)  
 Water temperature (max.): 80 °C  
 Activation force (max.): 15 N (independent of water pressure)  
 Flexible hoses: approx. 350 mm  
 Angle valve connection: G 3/8  
 Built-in filters: 0,5 mm mesh size

Jet angle: 40°  
 Spout height: 83 mm  
 Projection: 90 mm  
 Standards: DIN EN200, EN 816; CE



Faucets  
mechanical

Description	Spout projection	Colour	Article number
lino SofTouch ST20, with mixing	90 mm	Chromed	<b>CONM8150204000</b>

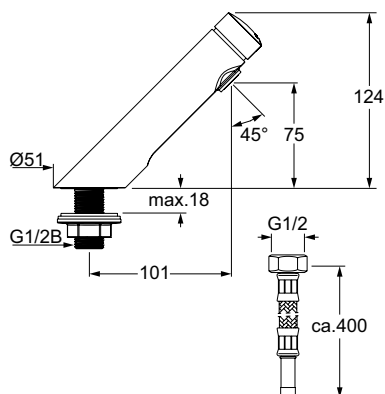
## CONWASH self-closing lavatory faucet



CONWASH self-closing lavatory faucet, without temperature-mixing, chromed, DN15

- For connection to cold or premixed water
- Solid metal housing
- Housing actuator made of brass, chromed
- Without temperature-mixing
- Adjustable flow rate
- Hygienic aerator
- 2 Plastic clips: plastic clip red and blue for cold or premixed water display

Operating pressure: 1,0-5,0 bar  
 Flow rate: 3,0-15,0 l/min / 0,8 - 4,0 gpm adjustable (3 bar)  
 Water temperature (max.): 50 °C (brief up to 75°C for thermal disinfection)  
 Aerator: Hygienic Aerator  
 Flexible hose: Certified with flexible connection cable 400 mm (inner tube material according to DVGW W 543 and W 270 and KTW A, external stainless steel braid) and filter seal  
 Connection: Compression fitting for pipe D10 mm  
 Follow-up time: Approx. 7 s according to DIN EN 816  
 Outlet height: 75 mm  
 Spout projection: 101 mm / 45°  
 Engineering standards: Noise category I



Description	Spout projection	Colour	Article number
CONWASH self-closing lavatory faucet	101 mm	Chromed	<b>CONM3364100000</b>

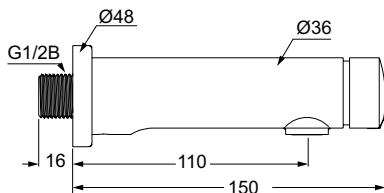
## CONWASH wall-mounted self-closing faucet



CONWASH wall-mounted self-closing faucet, without temperature-mixing, chromed, DN15

- For connection to cold or premixed water
- For wall-mounting
- Housing actuator made of brass, chromed
- Without temperature-mixing
- Adjustable flow rate
- Hygienic aerator
- Rosette: Ø 48 mm
- 2 plastic clips: plastic clip red and blue for display of cold or premixed water

Operating pressure: 1,0-5,0 bar  
 Flow rate: 3,0-15,0 l/min / 0,8-4,0 gpm adjustable (3 bar)  
 Water temperature (max.): 50 °C (brief up to 75°C for thermal disinfection)  
 Aerator: Hygienic aerator  
 Connection: G 1/2 B  
 Follow-up time: Approx. 7 s according to DIN EN 816  
 Spout projection: 110 mm  
 Engineering standards: Noise category I



Faucets  
mechanical

Description	Spout projection	Colour	Article number
CONWASH wall-mounted self-closing faucet	110 mm	Chromed	<b>CONM4664100000</b>

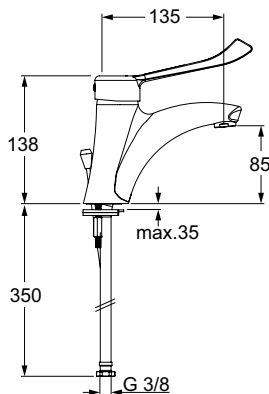
## CONMED long handle single-lever faucet



CONMED long handle single-lever faucet, for health-care sector, chromed, DN15

- For connection to hot and cold water
- With fixed spout and long lever
- Mainly for medical sector
- Housing made of solid brass, chromed
- Reinforced fixing with 2 stainless steel bolts and lock nuts
- Ceramic cartridge with temperature stop (pre-set max. temperature)
- Integrated flow controller 5 l/min / 1,3 gpm
- With hygienic aerator and flexible PEX connection hoses 350 mm stainless steel braiding
- Dirt trap filters
- Drain assembly 1 1/4 and pull rod made of brass, chrome plated

Operating pressure: 0,5-8,0 bar  
 Flow rate: 4,8 l/min / 1,3 gpm (3 bar)  
 Water temperature (max.): 70 °C (Thermal disinfection possible)  
 Aerator: Hygienic aerator  
 Flexible hoses: Flexible PEX connection hoses with stainless steel 350 mm  
 Connection: G 3/8  
 Outlet height: 85 mm  
 Spout projection: 135 mm  
 Lever length: 150 mm



Faucets  
mechanical

Description	Spout projection	Colour	Article number
CONMED long handle single lever faucet faucet	135 mm	Chromed	<b>CONM3367100000</b>

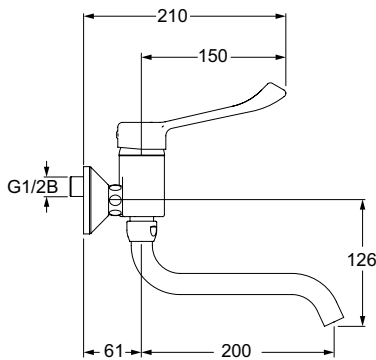
## CONMED wall-mounted single-lever faucet



CONMED wall-mounted single-lever faucet for health-care sector, chromed, DN15

- For connection to hot and cold water
- For wall-mounting
- With swivel spout and long lever
- Mainly for health-care sector
- Housing made of solid brass with S-connections
- Ceramic cartridge with temperature stop (maximum temperature preset) and adjustable flow
- Swivel, self-draining, smooth interior framed outlet D22 mm
- With hygienic aerator to reduce the formation of bacteria
- Brass housing, chromed

Operating pressure: 6,0 bar  
 Flow rate: 9,0 l/min / 2,4 gpm (3 bar)  
 Water temperature (max.): 70 °C (thermal disinfection possible)  
 Aerator: Hygienic Aerator  
 Flexible hoses: Flexible PEX connection hoses with stainless-steel 350 mm  
 Connection: G 1/2 B  
 Spout projection: 200 mm  
 Lever length: 150 mm



Description	Spout projection	Colour	Article number
CONMED wall-mounted single lever faucet	200 mm	Chromed	<b>CONM4667100000</b>

## CONTHERM thermostatic mixing valve



### CONTHERM thermostatic mixing valve, DN15, with connection set

- For mounting under the table
- For connection to hot and cold water
- Intrinsically safe
- Anti-scalding protection
- Safety stop and „Legionella handle“ for easy manual thermal disinfection
- Housing and temperature adjustment handle made of brass, chromed
- With integrated backflow preventer

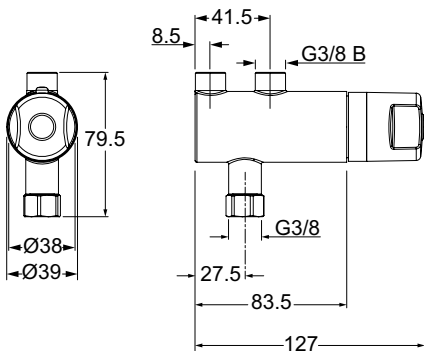
Thermostatic mixing valve with connection set consisting of:

- 1 Thermostat battery
- 1 Connection set for mounting on existing angle valves

Thermostatic mixing valve without connection set consisting of:

- 1 Thermostat battery

Operating pressure: 5,0 bar  
 Flow rate: 12 l/min / 3,2 gpm (1 bar)  
 Water temperature (max.): 75 °C  
 Temperature range: 30-70 °C  
 Connection entry: G 3/8 B  
 Connection drain: G 3/8



Faucets  
mechanical

Description	Version	Nominal width	Article number
CONTHERM thermostatic mixing valve	With connection set	DN15	<b>CONM9164000000</b>

## CONTHERM thermostatic mixing valve



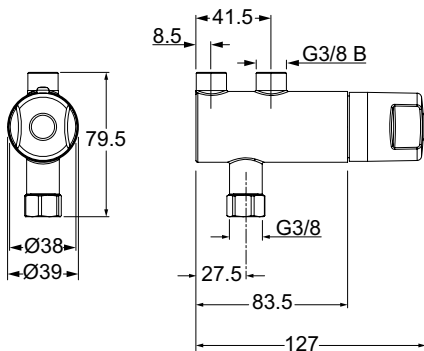
### CONTHERM thermostatic mixing valve, DN15, without connection set

- For mounting under the table
- For connection to hot and cold water
- Intrinsically safe
- Anti-scalding protection
- Safety stop and „Legionella handle“ for easy manual thermal disinfection
- Housing and temperature adjustment handle made of brass, chromed
- With integrated backflow preventer

Consisting of:

- 1 Thermostat-battery

Operating pressure: 5,0 bar  
 Flow rate: 0,2 l/s (1 bar)  
 Water temperature (max.): 75 °C  
 Temperature setting range: 30-70 °C  
 Inlet connection: G 3/8 B  
 Outlet connection: G 3/8



Faucets  
mechanical

Description	Version	Nominal width	Article number
CONTHERM thermostatic mixing valve	Without connection set	DN15	<b>CONM91640001000</b>







## Accessories for faucets

Central mains power supply for multiple or single installations .....	326
Battery exchange kits .....	328
Splitter for multiple installations .....	329
Installation cables.....	330
CNX Converter .....	331
BLE Converter .....	331
Conversion kits .....	332
S-connector .....	332
Hose set.....	333
Adapter.....	333
Aerators.....	333
Cleaning products.....	335
Tool kit.....	335

# CONTI+ MODULAR

## in accessories and spare parts



### CONTI+ Spare parts list

CONTI+ spare parts list for shower- and washrooms for:

- Spare parts
- Accessories and optional functions
- Exploded assembly drawings

Download:

[https://conti.plus/fileadmin/conti.plus/world/downloads/SPARE-PARTS-Catalogue\\_EN.pdf](https://conti.plus/fileadmin/conti.plus/world/downloads/SPARE-PARTS-Catalogue_EN.pdf)



Installation and maintenance videos:

<https://www.youtube.com/channel/UCMd3Te3wmkiuhkgG8GPaLQQ>



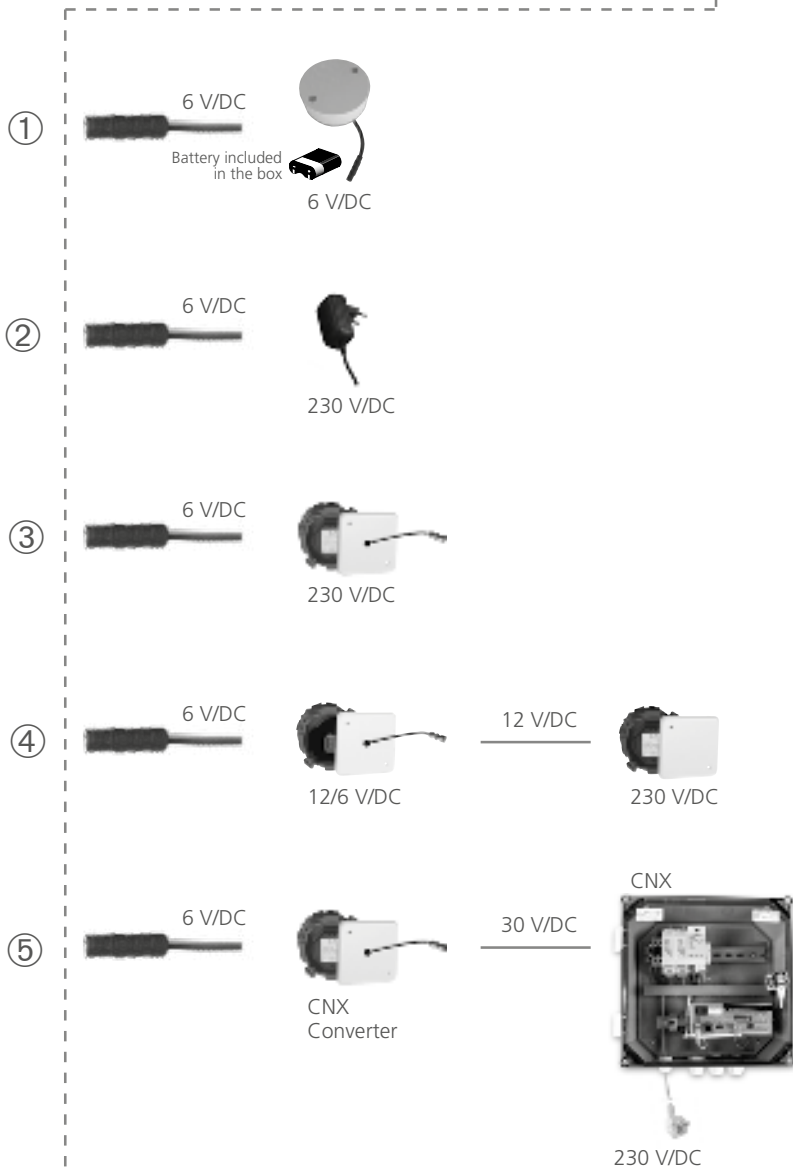
# CONNECTION OPTIONS CONTI+ VARIOconnect



### CONTI+ faucet variations

One CONTI+ faucet – five connection options: many ways to ensure optimum, resource-efficient, hygienic, robust and safe operation.

The battery integrated in the faucet body (battery solution) is included in the standard delivery. In addition to this version, the connection can also be upgraded with the following VARIOconnect options:



### Single station battery option 6 V | ①

The adjacent battery solution (with external battery) can be used if, despite planning, no electric cable has been laid.

### Single station power supply option 230/6 V/DC | ②

The classic mains connection with a plug-in power supply unit combined with a 230 V socket.

### Single station power supply option (flush mounted) 230/6 V/DC | ③

The best mains connection if appearance and safety are the main priorities.

### Central power supply (flush mounted) 230/12/6 V/DC | ④



Up to 30 faucets can be powered by a concealed central mains receiver. Direct connection via a flush mounted splitter set for multiple installations makes this a more cost effective version than the single station option.



### Central power supply (CNX) 230/30 V/DC | ⑤

Up to 150 faucets can be connected to the control centre of the CONTI+ CNX Water Management System, with all its control and monitoring benefits, in combination with the flush mounted CNX converters.



Faucets  
Accessories

## Central mains power supplies for multiple installation



 	<p>Concealed central power supply, for up to 30 units</p> <p>Suitable for:</p> <ul style="list-style-type: none"> <li>• All lavatory faucets with VARIOconnect for multiple installations up to 30 units (except lumino L10i and L10c)</li> <li>• Urinal flush valves with VARIOconnect (U10, U18, U28)</li> <li>• Multiple installation bypass for lino flush-mounted shower faucets up to 30 units</li> <li>• Exclusively for use with flush-mounted splitters 550.042.00 or 550.43.00 or 550.044.00</li> </ul> <p>Consisting of:</p> <ul style="list-style-type: none"> <li>• Concealed mains power supply 110-240 V / 12 V</li> <li>• Concealed installation box with white cover</li> <li>• Installation cable 3000 mm with plug connector for faucets/flush valves</li> </ul>		
	Description	Installation type	Voltage
Concealed central mains power supply, with flush-mounted outlet	up to 30 units	110-240 V / 12 V	<b>550.041.00</b>

 	<p>Concealed central mains power supply, for up to 12 units</p> <p>Suitable for:</p> <ul style="list-style-type: none"> <li>• All lavatory faucets with VARIOconnect in multiple installations up to 12 units (except lumino L10i and L10c)</li> <li>• Shower panel CONPRIMUS, lavatory faucet lino PRIMUS upright faucet L40 (single installation)</li> <li>• Urinal flush valves with VARIOconnect (U10, U18, U28) up to 12 units</li> <li>• Multiple installation bypass for lino flush-mounted shower faucets up to 12 units</li> <li>• Exclusively for use with flush-mounted splitters 550.042.00 or 550.43.00 or 550.044.00</li> </ul> <p>Consisting of:</p> <ul style="list-style-type: none"> <li>• Concealed mains power supply 110-240 V / 12 V</li> <li>• Concealed installation box with white cover</li> <li>• Installation cable 3000 mm with plug connector for faucets/flush valves</li> </ul>		
	Description	Installation type	Voltage
Concealed central mains power supply, with flush-mounted outlet	up to 12 units	110-240 V / 12 V	<b>550.045.00</b>



## Concealed mains power supply for single installation

 	<p>Concealed mains power supply for single installation</p> <p>Suitable for:</p> <ul style="list-style-type: none"> <li>• Flush-mounted lino shower faucets DV35 / DV30</li> <li>• Wall-mounted lavatory faucets WV10 / WV20 / GW20 with VARIOconnect</li> <li>• Single installation bypass for lino flush-mounted shower faucets DV35 / DV30B with VARIOconnect</li> </ul> <p>Consisting of:</p> <ul style="list-style-type: none"> <li>• Concealed mains power supply 110-240 V / 6 V</li> <li>• Concealed installation box with white cover</li> <li>• Installation cable 3000 mm with plug connector for faucets</li> </ul>		
	Description	Installation type	Voltage
Concealed mains power supply, with flush-mounted outlet	For single installation	110-240 V / 6 V	<b>550.026.00</b>



## Mains power supplies for single installation for faucets with VARIOconnect

 	<p>Concealed mains power supply for single installation</p> <p>Suitable for all lavatory faucets with VARIOconnect</p> <p>Consisting of:</p> <ul style="list-style-type: none"> <li>• Concealed power supply 110-240 V / 6 V</li> <li>• Flush-mounted box for masonry</li> <li>• Flush-mounted box for drywall construction</li> <li>• With white cover and waterproof cable grommet</li> </ul>		
	Description	Installation type	Voltage
Concealed mains power supply, with flush-mounted outlet	For single installations	110-240 V/6 V	<b>550.030.01</b>




## Twin plug power supply unit

 	<p>Twin plug power supply unit 110-240 V / 6 V</p> <p>Power supply unit 110-240 V / 6 V with socket for additional electrical devices drawing up to max. 10 A for all lavatory faucets with VARIOconnect (except lumino L10i and L10c).</p>		
	Description	Voltage	Article number
Twin plug power supply unit	110-240 V/ 6 V	<b>550.031.00</b>	


## Single plug power supply unit

 	<p>Single plug power supply unit 100-240 V / 6 V</p> <p>Suitable for all lavatory faucets with VARIOconnect with fixed plug</p>		
	Description	Region	Article number
Single plug power supply unit	Europe	<b>550.032.00</b>	
Single plug power supply unit	United States of America	<b>550.032.00US</b>	
Single plug adapter power supply unit	Australia	<b>550.032.00AU</b>	
Single plug adapter power supply unit	United Kingdom	<b>550.032.00UK</b>	



## Battery exchange kits



	<p><b>Battery exchange kit 2CR5</b></p> <p>For following models: A10, A20, A30, U20, U40, U50, U51</p> <p>Consisting of:</p> <ul style="list-style-type: none"> <li>• Battery (6 V Lithium 2CR5 resp. DL 245)</li> </ul>
Description	Article number
Battery exchange kit 2CR5	<b>CONZ8955003</b>
	<p><b>Battery exchange kit CRP2</b></p> <p>For following models: 2in1, A50, D10, G10, G20, G30, K10, K20, K30, L10, L20, L30, L15, L15P, L25, L25P, M10, M20, U10, U18, U28, U60, U55, W10, W30, W35, W45, WV10, WV20, H10.</p> <p>Consisting of:</p> <ul style="list-style-type: none"> <li>• Battery (6 V Lithium CRP2 resp. DL 223 A)</li> </ul>
Description	Article number
Battery exchange kit CRP2	<b>CONZ8955004</b>
	<p><b>Battery exchange kit, waterproof encased</b></p> <p>For all VARIOconnect models and D30, D35, DV30, DV35</p> <p>Consisting of:</p> <ul style="list-style-type: none"> <li>• Battery waterproof encased (6 V Lithium CRP2 resp. DL 223 A)</li> </ul>
Description	Article number
Battery exchange kit, waterproof encased	<b>550.000.05</b>

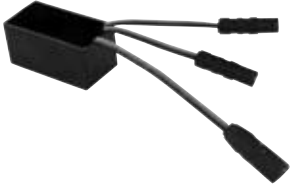

## Battery box

	<p><b>Waterproof battery box incl. battery</b></p> <p>For all VARIOconnect models and P10, P20, P30, P15, P25, P35, (M10, M20 til 05/13), G10, G20</p> <p>NOT suitable for ultra GS!</p>
Description	Article number
Waterproof battery box incl. battery	<b>CONZ8955006</b>

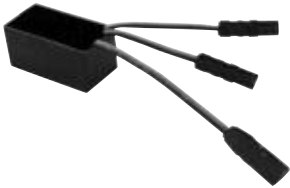

## Splitter for multiple installations with VARIOconnect

 	<p><b>Flush-mounted splitter set with flush-mounted outlet for multiple installations</b></p> <ul style="list-style-type: none"> <li>• Exclusively for use with the flush-mounted central power supply units for multiple faucet/flush valve installations (550.041.00 or 550.045.00) with VARIOconnect</li> <li>• Not compatible with lumino L10i and L10c</li> <li>• One splitter set is required for each connected unit and bypass solenoid valve</li> </ul> <p>Consisting of:</p> <ul style="list-style-type: none"> <li>• Flush-mounted box with white cover</li> <li>• Splitter for voltage range 12 VAC/VDC-28 VAC/VDC</li> <li>• 3 Terminals (1x input, 1x output looped, 1x 6 V output)</li> <li>• Installation cable 3000 mm with plug-in connector for faucets/flush valves</li> </ul>		
	Description	Installation type	Article number
Flush-mounted splitter set, with flush-mounted outlet	For multiple installations	<b>550.042.00</b>	

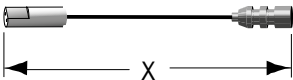
 	<p><b>Flush-mounted splitter set for multiple installations with surface mounted outlet</b></p> <ul style="list-style-type: none"> <li>• Exclusively for use with the flush mounted central power supply units for multiple faucet/flush valve installations (550.041.00 or 550.045.00)</li> <li>• Not compatible with lumino L10i and L10c</li> <li>• One splitter set required per connected unit and bypass solenoid valve</li> </ul> <p>Consisting of:</p> <ul style="list-style-type: none"> <li>• Flush-mounted box with white cover and cable grommet</li> <li>• Splitter for voltage range 12 VAC/VDC - 28 VAC/VDC</li> <li>• 3 Terminals (1x input, 1x output looped, 1x6 V output)</li> <li>• Installation cable 850 mm routed through the cover, with plug-in connector for faucets</li> </ul>		
	Description	Installation type	Article number
Flush-mounted splitter set, with surface-mounted outlet	For multiple installations	<b>550.043.00</b>	

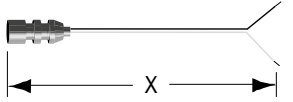
 	<p><b>Flush-mounted splitter for multiple installations</b></p> <p>Suitable for:</p> <ul style="list-style-type: none"> <li>• All lavatory faucets (except lumino L10i and L10c), flush-mounted shower faucets and urinal flush valves U10, U18, U28 with VARIOconnect</li> <li>• Exclusively for use with flush-mounted central power supply units for multiple installations (550.041.00 or 550.045.00)</li> <li>• One splitter set required per connected faucet/urinal flush valve and bypass solenoid valve</li> </ul> <p>Consisting of:</p> <ul style="list-style-type: none"> <li>• Splitter for voltage range 12 VAC/VDC-28 VAC/VDC</li> <li>• 3 Terminals (60 mm)</li> <li>• Installation cable length (x) mm with plug-in connector for faucets</li> </ul>		
	Description	Installation type	Lenght (x)
Flush-mounted splitter set	For multiple installations	1200 mm	<b>550.044.12</b>
	For multiple installations	3200 mm	<b>550.044.32</b>

## Splitter for multiple installations with VARIOconnect

 	<p>Flush-mounted splitter for multiple installations</p> <p>Suitable for</p> <ul style="list-style-type: none"> <li>• All lavatory faucets (except lumino L10i and L10c), flush-mounted shower faucets and urinal flush valves U10, U18, U28 with VARIOconnect</li> <li>• Exclusively for use with flush-mounted central power supply units for multiple installations (550.041.00 or 550.045.00)</li> <li>• A splitter set is required for each connected faucet and bypass solenoid valve</li> </ul> <p>Consisting of:</p> <ul style="list-style-type: none"> <li>• Splitter for voltage range 12 VAC/VDC-28VAC/VDC</li> <li>• 3 Terminals (60 mm)</li> </ul>	
Description	Installation type	Article number
Flush-mounted splitter set	For multiple installations	<b>550.044.00</b>


## Installation cable for multiple installations


	<p>Installation cable for multiple installations, 300 mm / 1200 mm / 3200 mm</p> <p>Sheathed with additional protective insulation</p> <p>Consisting of:</p> <ul style="list-style-type: none"> <li>• 1x 8 mm plug, water resistant (female)</li> <li>• 1x 8 mm plug, water resistant (male)</li> </ul>		
Description	Installations type	Length (x)	Article number
Installation cable	For multiple installations	300 mm	<b>550.037.03</b>
	For multiple installations	1200 mm	<b>550.037.12</b>
	For multiple installations	3200 mm	<b>550.037.32</b>

	<p>Installation cable for multiple installations with open wires, 3000 mm</p> <p>Sheathed with additional protective insulation</p> <p>Consisting of:</p> <ul style="list-style-type: none"> <li>• 1x Plug 8 mm (female)</li> <li>• 1x Tin-plated wires</li> </ul>		
Description	Installations type	Length (x)	Article number
Installation cable with open wires	For multiple installations	3000 mm	<b>550.046.30</b>




## CNX Converter


	<b>CNX Converter 6V</b> To integrate CONTI+ faucets (with the exception of CONPRIMUS and lino PRIMUS upright faucet L40) into the CNX Water Management System, by means of waterproof quick connectors (not included in the scope of delivery), connecting cable and plug, conversion of the input signal from 30V to 6 / 12V.	
	Operating voltage: 30 V/DC Input: Approx. 17 mA Protection: IP68	<b>Notice:</b> CONO214641 includes: <ul style="list-style-type: none"> <li>• Flush-mounted socket for masonry</li> <li>• Flush-mounted socket for dry construction</li> </ul>
Description	Material	Article number
CNX Converter 6V	Plastic	<b>CONO210000</b>
CNX Converter for flush-mounted socket 6V	Plastic	<b>CONO214641</b>


	<b>CNX Converter 12V</b> To integrate CONTI+ faucets CONPRIMUS and lino PRIMUS upright faucet L40 into the CNX Water Management System, by means of waterproof quick connectors (not included in the scope of delivery), connecting cable and plug, conversion of the input signal from 24V to 12V.	
	Operating voltage: 12 V/DC Input: Approx. 17 mA Protection: IP68	<b>Notice:</b> CONO211012 includes: <ul style="list-style-type: none"> <li>• Flush-mounted socket for masonry</li> <li>• Flush-mounted socket for dry construction</li> </ul>
Description	Material	Article number
CNX Converter 12V (CONPRIMUS)	Plastic	<b>CONO210012</b>
CNX Converter for flush-mounted socket 12V	Plastic	<b>CONO211012</b>

## BLE Converter for Service APP


	<b>BLE Converter for CONTI+ Service APP</b> To build up a Bluetooth® connection between CONTI+ faucets and a mobile control unit as smartphone or tablet. Smart faucet connection via CONTI+ Service APP.	
	<b>Technical data:</b> Bluetooth® low energy Operating voltage: 6-12 V/DC Protection: IP68	
Description	Colour	Article number
BLE Converter	Black	<b>CONO260000</b>

## Conversion kits

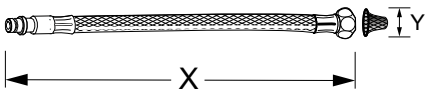
	<p>Conversion kit temperature handle with fixed temperature limit at 42 °C</p> <p>For model W35/W45</p> <ul style="list-style-type: none"> <li>• Incl. anchor ring 42 °C</li> </ul>	
Description	Colour	Article number
Conversion set temperature handle with fixed temperature limit at 42 °C	Chromed	<b>550.069.11</b>

	<p>Conversion kit temperature handle with fixed temperature limit at 42 °C</p> <p>For model K30</p> <ul style="list-style-type: none"> <li>• Incl. anchor ring 42 °C</li> </ul>	
Description	Colour	Article number
Conversion set temperature handle with fixed temperature limit at 42 °C	Chromed	<b>550.067.11</b>


## S-connector

	<p>Connector with stop valve, for surface-mounted faucets, chromed</p> <ul style="list-style-type: none"> <li>• DN 15, G 3/4 x G 1/2</li> <li>• SW 2,5 /10 mm eccentric</li> <li>• Complete with rosette</li> <li>• 2 pieces included</li> </ul>	
Description	Colour	Article number
S-conector with stop valven	Chrome	<b>550.016.11</b>


## Hose set

	<p>Hose set (hose and filter)</p> <ul style="list-style-type: none"> <li>• One hose made of stainless steel</li> <li>• Connection via plug-adapter</li> <li>• Angle valve connection via alternative connecting nut (3/8", 1/2" or 9/16")</li> <li>• Mesh filter in alternative sizes (3/8", 1/2" or 9/16")</li> <li>• Alternatively available with colour marking on the hose</li> <li>• Not suitable for: lumino, umaxx, Senso, ran</li> <li>• Not suitable for wall-mounted faucets</li> </ul>				
	Description	Connection (Y)	Length (X)	Type	Article number
Hose set (hose and filter)	3/8"	450 mm			<b>550.010.00</b>
	3/8"	600 mm			<b>550.010.01</b>
	1/2"	400 mm			<b>550.010.02</b>
	1/2"	350 mm	blue		<b>550.010.03</b>
	1/2"	350 mm	red		<b>550.010.04</b>
	9/16"	400 mm			<b>550.010.05</b>


## Adapter


	<p>Adapter</p> <ul style="list-style-type: none"> <li>• Adapter to connect 3/8" hoses with an 1/2" angle valve</li> <li>• External thread 3/8" - inner thread 1/2"</li> <li>• Including 1/2" flat seal</li> </ul>		
	Description	Type	Article number
Adapter	3/8" - 1/2"		<b>550.095.00</b>

## Aerator

	<p>Aerator AG M24x1, theft-proof</p> <p>Theft-proof, chromed</p> <p>Connection: AG M24x1                  Flow volume: 7,2 l/min / 1,9 gpm (3bar)                  Water temperature (max.): 90 °C</p> <p>In combination with:                  CONM3364200000 CONWASH self-closing lavatory faucet</p>	
	Description	Version
Aerator AG M24x1	theft-proof	<b>CONO810000</b>

## Aerator

	flex aerator with screw thread M24x1 <ul style="list-style-type: none"> <li>• Pivoting aerator</li> <li>• Suitable for: A10, A20, L10, L20, L10i, L15P, L25P, M10, M20, A50, WV20, WV10, K10, K20, W35, W45</li> </ul> Adjustment angle: $\pm 7^\circ$		
	Description	Type	Flow rate
Flex aerator with screw thread M24x1	HONEYCOMB S SR	6 l/min / 1,6 gpm	<b>550.005.11</b>

	Aerator for loopino <ul style="list-style-type: none"> <li>• Suitable for: G10, G20</li> </ul>		
	Description	Type	Flow rate
Aerator for loopino	CACHÉ PCA	1,32 l/min / 0,35 gpm	<b>550.008.11</b>

	Aerator with screw thread M24x1 <ul style="list-style-type: none"> <li>• Suitable for: A10, A20, L10, L20, L10i, L15P, L25P, M10, M20, A50, K10, K20, W35, W45</li> </ul>			
	Description	Type	Flow rate	Article number
	Aerator with screw thread M24x1	HONEYCOMB Laminar	6 l/min / 1,6 gpm	<b>550.001.11</b>
		CASCADE PCA	1,89 l/min / 0,5 gpm	<b>550.002.11</b>
		PCA Spray	1,32 l/min / 0,35 gpm	<b>550.003.11</b>
CASCADE PCA		1,32 l/min / 0,35 gpm	<b>550.004.11</b>	


Faucets  
Accessories

## Cleaning products

	<p><b>Microfiber cloth (grey)</b></p> <p>Soft microfiber cloth for professional use. With velvety surface for slightly textured, smooth and delicate surfaces, very good for cleaning stainless steel, chromed, aluminium, faucets and lacquered surface, washable up to 95 °C.</p>	
<p>Description</p>	<p>Dimension</p>	<p>Article number</p>
<p>Microfiber cloth grey</p>	<p>Approx. 400x400 mm</p>	<p><b>CONO690200</b></p>

	<p><b>Cleaner BR75</b></p> <p>Swimming pool and sanitary cleaners for all public and private swimming pools, toilets (urinals), showers and bath rooms, acid-resistant tiles and sanitary porcelain, as well as for removal of cement veils.</p>	
<p>Description</p>	<p>Filling quantity</p>	<p>Article number</p>
<p>Cleaner BR75</p>	<p>1000 ml</p>	<p><b>CONO690100</b></p>

## Tool kit

	<p><b>Tool kit for service and assembly of CONTI+ faucets</b></p> <p>Consisting of:</p> <ul style="list-style-type: none"> <li>• 1 Hook wrench 38 mm</li> <li>• 1 Allen key SW 3x36x16,5</li> <li>• 1 Face spanner adjustable</li> <li>• 1 Face spanner-screwdriver with handle</li> <li>• 1 Hexagon key SW 2x100</li> <li>• 1 Hexagon key SW 2,5x100</li> <li>• 1 Hexagon key SW 3x100</li> <li>• 1 Hexagon key SW 6x160</li> <li>• 1 Allen key SW 4x140x28</li> <li>• 1 Microfiber cloth</li> <li>• 1 Tool-belt bag</li> </ul>	
<p>Description</p>	<p>Colour</p>	<p>Article number</p>
<p>Tool kit for service and assembly of CONTI+ faucets</p>	<p>Black/Blue</p>	<p><b>CONO690300</b></p>





## Washbasin solutions

### Washbasins mineral cast Gelcoat

Angular, white .....	340
Angular, anthracite .....	341
Angular, white/slate .....	342
Angular, anthracite/slate .....	343
Additional options .....	344

Countertop washbasins .....	346
-----------------------------	-----

**Washbasins SteelTec/Stainless steel equipment**  
see chapter Sanitary equipment ..... from 415



# CONTI+ Washbasins

---

## A variety of possibilities

CONTI+ washbasins in a wide variety of finishes, basic and RAL Classic colours as well as different textures offer many possibilities to give the washroom a unique touch. Thanks to flexibility in shape and fit, we offer a wide range of washbasins. In combination with our CONTI+ washbasin faucets and sanitary room fittings, a real eye-catcher in any public, semi-public or commercial washroom.

CONTI+ washbasins are manufactured and offered with a tap hole as standard and without an overflow for hygienic reasons. Thanks to the non-porous gelcoat coating applied to some versions - which means that there are no places for impurities and germs to adhere to - CONTI+ washbasins represent a further building block in the CONTI+ hygiene concept.

CONTI+ SteelTec washbasin solutions made of stainless steel are available in various design versions as single washbasins, wash troughs, sinks and laboratory sinks - depending on the model - for wall mounting and table installation. With a stainless steel material thickness of 1.5 mm, they guarantee the necessary robustness and processing quality for heavily frequented sanitary rooms.

CONTI+ washbasin solutions meet the requirements for washbasins in public areas according to VDI 3818.



## Surface with gel coating

To provide optimal solutions for your washroom across the range, our washbasins with gel coating feature a variety of fronts, forms, surfaces and finishes: with a slate structure or smooth, with straight or rounded basin edges, centred or offset basins as well as with integral towel rail. Available in White matt, Anthracite matt, White gloss or RAL Classic colours. Our CONTI+ washbasins can be adapted to meet all customer requirements.

CONTI+ mineral-cast washbasins (White matt or gloss) are pleasantly warm to the touch. Washbasins made of mineral composite material are cast in one piece and are individually manufactured to customer requirements (on request with bevel cuts, recesses, drilled holes, etc.).

## Surface without gel coating

CONTI+ washbasins made of mineral composite material have no surface layer. This homogeneous material with a matt surface is pleasantly warm to the touch. The washbasins are cast in one piece and are individually manufactured to customer requirements (including bevel cuts, recesses, drilled holes, etc.).



## Cleaning and care

### With gel coating

Clean the glossy, non-porous surface with standard, NON-abrasive liquid cleaners and a soft cloth. Cigarette stains or nail polish can be removed from the gloss surface using polishing paste or nail polish remover as appropriate.

### Without gel coating

Clean the matt surface with standard abrasive cleaners (cream cleaner, yellow-green sponge, microfibre cloth, etc.). Cigarette stains or nail polish can be removed using wet sandpaper; clean with cleaning pads or an equivalent product.

### Stainless steel products

Many of the SteelTec products are partially or completely covered in plastic film. This film provides protection during transportation but must be removed from the product before use. SteelTec products made of AISI 304 stainless steel must be cleaned regularly to maintain their original quality. Use cleaning products and clear water to do this after use. Rinse with clear water and wipe dry. Also clean any loose parts such as the drain guard. Do not allow water to dry on the product.

Although stainless steel is very hard-wearing, sharp objects may scratch the surface. Such scratches are highly visible on a new product. Over time they will become fainter without the product losing its shine.

Never use scouring powder or steel wool to clean the surface. As well as causing scratches, there is a risk of rusting. Do not use chlorinated solvents. Silver cleaners can leave very tough stains. Foods containing acids or similar must be removed as soon as possible. Discolouration and tough stains are often caused by contaminated water or other substances. These can be removed using a special stainless steel polish. Shine can be restored to dull areas by rubbing in chalk with a soft cloth.

### General:

- Remove protective film only before the final cleaning.
- The temperature of service water must not exceed 55 °C (80 °C momentarily).
- To avoid staining, hair dye must be removed within a matter of seconds if it comes into contact with the surfaces.

## Washbasin mineral cast gelcoat, angular, white matt, width 500-1600 mm

NEW



## Washbasin mineral cast gelcoat, angular, white matt

- Angular basin
- With gelcoat coating
- Colour: white matt
- Without overflow
- With tap hole  $\varnothing$  35 mm
- With 2 pieces mounting angle

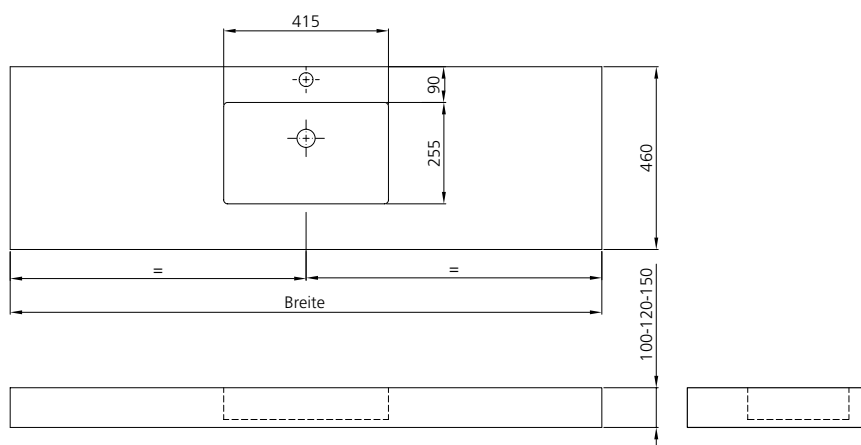
## Dimensions

Washbasin (WxHxD): 500-1600x100x460 mm

Basin (WxHxD): 415x80x255 mm

Tap hole:  $\varnothing$  35 mm**Note:**

Overflow available at no additional charge.



Two different washbasin heights:

Standard: 100 mm; with long basin: 120 mm



2 pieces mounting bracket already included in the scope of delivery

Description	Colour	Width	Article number
Washbasin mineral cast gelcoat, angular	White matt	500 mm	<b>CONW2111110500</b>
Washbasin mineral cast gelcoat, angular	White matt	700 mm	<b>CONW2111110700</b>
Washbasin mineral cast gelcoat, angular	White matt	800 mm	<b>CONW2111110800</b>
Washbasin mineral cast gelcoat, angular	White matt	900 mm	<b>CONW2111110900</b>
Washbasin mineral cast gelcoat, angular	White matt	1000 mm	<b>CONW2111111000</b>
Washbasin mineral cast gelcoat, angular	White matt	1100 mm	<b>CONW2111111100</b>
Washbasin mineral cast gelcoat, angular	White matt	1200 mm	<b>CONW2111111200</b>
Washbasin mineral cast gelcoat, angular	White matt	1400 mm	<b>CONW2111111400</b>
Washbasin mineral cast gelcoat, angular	White matt	1600 mm	<b>CONW2111111600</b>

# Washbasin mineral cast gelcoat, angular, anthracite matt, width 500-1600 mm

**NEW**



Washbasin mineral cast gelcoat, angular, anthracite matt

- Angular basin
- With gelcoat coating
- Colour: anthracite matt
- Without overflow
- With tap hole Ø 35 mm
- With 2 pieces mounting angle

**Dimensions**

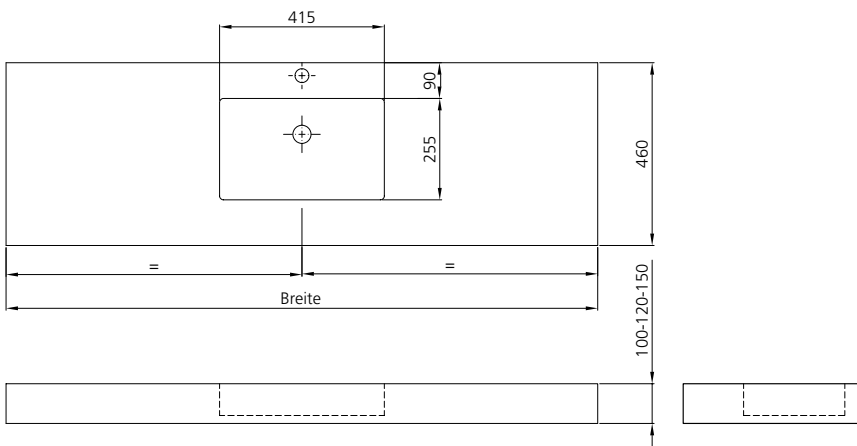
Washbasin (WxHxD): 500-1600x100x460 mm

Basin (WxHxD): 415x80x255 mm

Tap hole: Ø 35 mm

**Note:**

Overflow available at no additional charge.



Two different washbasin heights:  
Standard: 100 mm; with long basin: 120 mm



2 pieces mounting bracket already included in the scope of delivery

Description	Colour	Width	Article number
Washbasin mineral cast gelcoat, angular	Anthracite matt	500 mm	<b>CONW2111210500</b>
Washbasin mineral cast gelcoat, angular	Anthracite matt	700 mm	<b>CONW2111210700</b>
Washbasin mineral cast gelcoat, angular	Anthracite matt	800 mm	<b>CONW2111210800</b>
Washbasin mineral cast gelcoat, angular	Anthracite matt	900 mm	<b>CONW2111210900</b>
Washbasin mineral cast gelcoat, angular	Anthracite matt	1000 mm	<b>CONW2111211000</b>
Washbasin mineral cast gelcoat, angular	Anthracite matt	1100 mm	<b>CONW2111211100</b>
Washbasin mineral cast gelcoat, angular	Anthracite matt	1200 mm	<b>CONW2111211200</b>
Washbasin mineral cast gelcoat, angular	Anthracite matt	1400 mm	<b>CONW2111211400</b>
Washbasin mineral cast gelcoat, angular	Anthracite matt	1600 mm	<b>CONW2111211600</b>

# Washbasin mineral cast gelcoat, angular, white/slate, width 500-1600 mm

**NEW**



Washbasin mineral cast gelcoat, angular, white/slate

- Angular basin
- With gelcoat coating
- Colour: white/slate
- Without overflow
- With tap hole Ø 35 mm
- With 2 pieces mounting angle

**Dimensions**

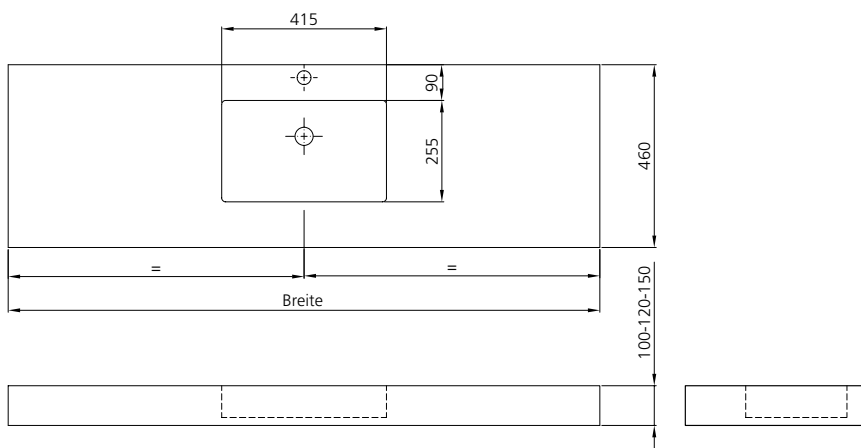
Washbasin (WxHxD): 500-1600x100x460 mm

Basin (WxHxD): 415x80x255 mm

Tap hole: Ø 35 mm

**Note:**

Overflow available at no additional charge.



White with slate structure

Two different washbasin heights:  
Standard: 100 mm; with long basin: 120 mm



2 pieces mounting bracket already included in the scope of delivery

Washbasins

Description	Colour	Width	Article number
Washbasin mineral cast gelcoat, angular	White/Slate	500 mm	<b>CONW2111120500</b>
Washbasin mineral cast gelcoat, angular	White/Slate	700 mm	<b>CONW2111120700</b>
Washbasin mineral cast gelcoat, angular	White/Slate	800 mm	<b>CONW2111120800</b>
Washbasin mineral cast gelcoat, angular	White/Slate	900 mm	<b>CONW2111120900</b>
Washbasin mineral cast gelcoat, angular	White/Slate	1000 mm	<b>CONW2111121000</b>
Washbasin mineral cast gelcoat, angular	White/Slate	1100 mm	<b>CONW2111121100</b>
Washbasin mineral cast gelcoat, angular	White/Slate	1200 mm	<b>CONW2111121200</b>
Washbasin mineral cast gelcoat, angular	White/Slate	1400 mm	<b>CONW2111121400</b>
Washbasin mineral cast gelcoat, angular	White/Slate	1600 mm	<b>CONW2111121600</b>

# Washbasin mineral cast gelcoat, angular, anthracite/slate, width 500-1600 mm

**NEW**



Washbasin mineral cast gelcoat, angular, anthracite/slate

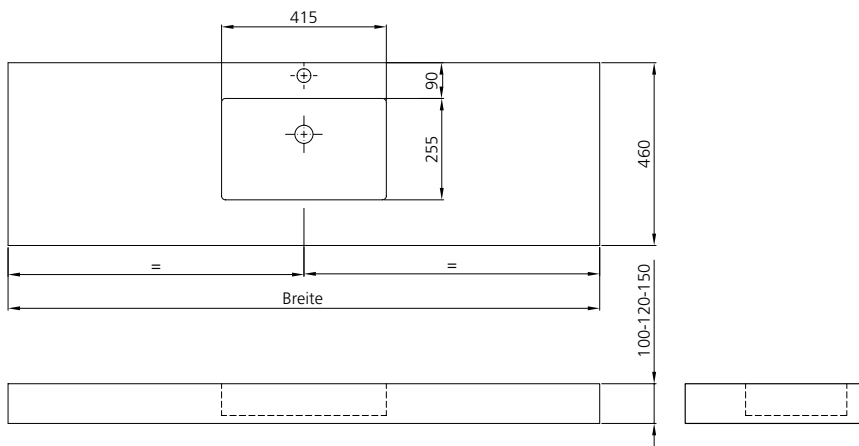
- Angular basin
- With gelcoat coating
- Colour: anthracite/slate
- Without overflow
- With tap hole Ø 35 mm
- With 2 pieces mounting angle

**Dimensions**

Washbasin (WxHxD): 500-1600x100x460 mm  
 Basin (VxHxD): 415x80x255 mm  
 Tap hole: Ø 35 mm

**Note:**

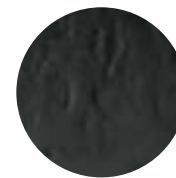
Overflow available at no additional charge.



Two different washbasin heights:  
 Standard: 100 mm; with long basin: 120 mm



2 pieces mounting bracket already included in the scope of delivery



Anthracite with slate structure

Washbasins

Description	Colour	Width	Article number
Washbasin mineral cast gelcoat, angular	Anthracite/Slate	500 mm	<b>CONW2111220500</b>
Washbasin mineral cast gelcoat, angular	Anthracite/Slate	700 mm	<b>CONW2111220700</b>
Washbasin mineral cast gelcoat, angular	Anthracite/Slate	800 mm	<b>CONW2111220800</b>
Washbasin mineral cast gelcoat, angular	Anthracite/Slate	900 mm	<b>CONW2111220900</b>
Washbasin mineral cast gelcoat, angular	Anthracite/Slate	1000 mm	<b>CONW2111221000</b>
Washbasin mineral cast gelcoat, angular	Anthracite/Slate	1100 mm	<b>CONW2111221100</b>
Washbasin mineral cast gelcoat, angular	Anthracite/Slate	1200 mm	<b>CONW2111221200</b>
Washbasin mineral cast gelcoat, angular	Anthracite/Slate	1400 mm	<b>CONW2111221400</b>
Washbasin mineral cast gelcoat, angular	Anthracite/Slate	1600 mm	<b>CONW2111221600</b>

## Additional charges for optional extras

**NEW**

**CONO875000**  
second basin



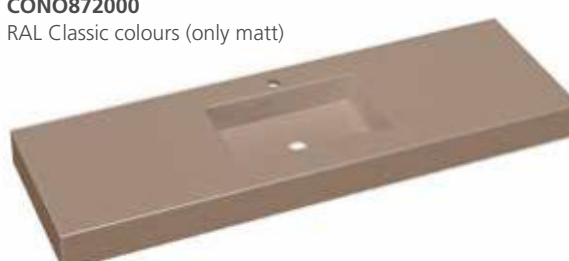
**CONO873000**  
basin off-centre



**CONO876000**  
White glossy



**CONO872000**  
RAL Classic colours (only matt)



**CONO871000**  
basin rounded corners



**CONO871400**  
large basin



Washbasins

Description	Article number
Surcharge for second basin; minimum width of wash basin: 1200 mm	<b>CONO875000</b>
Surcharge for basin placed off-centre	<b>CONO873000</b>
Surcharge for colour White glossy	<b>CONO876000</b>
Surcharge for RAL colour according to RAL card from 1 piece washbasin (only matt)	<b>CONO872000</b>
Surcharge for basin rounded corners 420x300 mm; minimum depth wash basin: 460 mm	<b>CONO871000</b>
Surcharge for extra large basin: min. 1000 mm basin sizes (WxHxD): 600x100x300 mm or 800x100x300 mm	<b>CONO871400</b>

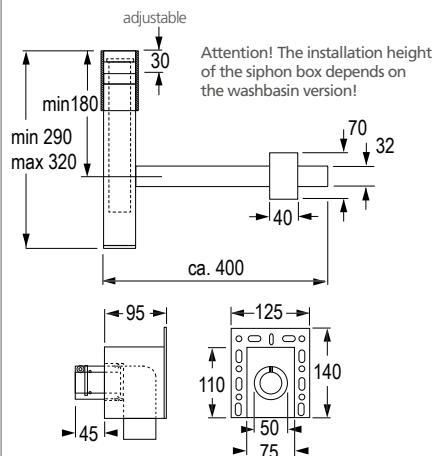
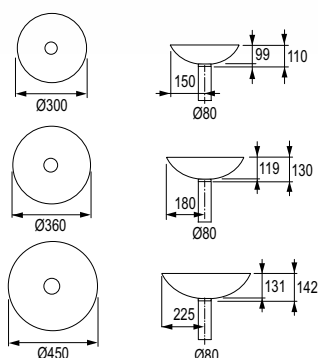
## Additional charges for optional extras



Description	Article number
Surcharge for integrated towel rail; dimensions: 400x40 mm	<b>CONO874000</b>
Surcharge for inserted towel rail, chrome; length: 350 mm	<b>CONO877000</b>
Surcharge per meter for hygienic edge; dimensions (HxD): 50x19 mm	<b>CONO871200</b>
Surcharge for special width or special depth; each at least 400 mm	<b>CONO871300</b>
Surcharge per 10 cm extra width to next larger width in 10 cm steps	<b>CONO870010</b>
Surcharge for mounting brackets per piece; Note: 2 mounting brackets are already included in the scope of delivery of the mineral cast gelcoat washbasin. Additional mounting brackets may be necessary for special dimensions. Recommended minimum distance 1000 mm.	<b>CONO870001</b>

Washbasins

## Countertop washbasin with self-supporting siphon



### Countertop washbasin, white, with self-supporting siphon

Ø 300 mm  
 Dimension (ØxD): 300x100 mm  
 Net weight: 2,30 kg  
 Faucet note\*: Optimal impact point approx. 80 – 110 mm from the rear edge of basin

Ø 360 mm  
 Dimension (ØxD): 360x125 mm  
 Net weight: 3,30 kg  
 Faucet note\*: Optimal impact point approx. 80 – 110 mm from the rear edge of basin

Ø 450 mm  
 Dimension (ØxD): 450x130 mm  
 Net weight: 4,50 kg  
 Faucet note\*: Optimal impact point approx. 130 – 180 mm from the rear edge of basin

Material: Enamelled steel  
 Colour basin: White, easy-care surface white  
 Colour siphon: Stainless steel matt or chromed  
 Standard equipment: Without tap hole, without overflow

Description	Dimension	Colour siphon	Article number
Countertop washbasin, with self-supporting siphon	Ø 300 mm	Chromed	<b>CONW6003500</b>
Countertop washbasin, with self-supporting siphon	Ø 300 mm	Stainless steel matt	<b>CONW2003500</b>
Countertop washbasin, with self-supporting siphon	Ø 360 mm	Chromed	<b>CONW6003501</b>
Countertop washbasin, with self-supporting siphon	Ø 360 mm	Stainless steel matt	<b>CONW2003501</b>
Countertop washbasin, with self-supporting siphon	Ø 450 mm	Chromed	<b>CONW6003502</b>
Countertop washbasin, with self-supporting siphon	Ø 450 mm	Stainless steel matt	<b>CONW2003502</b>

\*Optimum impact on the basin trough with faucets with vertical spout (angle of impact 90°) and with built-in aerator



## Self-supporting siphon

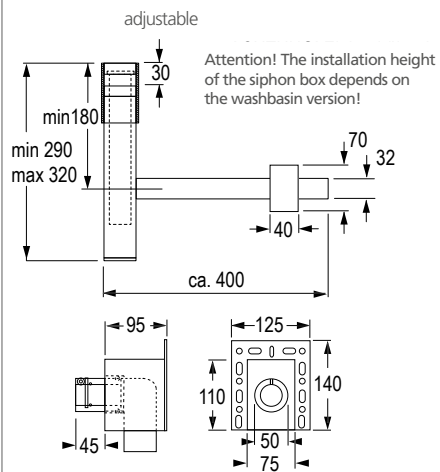


### Self-supporting siphon

Self-supporting siphon with wall box and special waste without storage function

- Adjustable height and length
- Delivery without basin

Load capacity up to 150 kg!



Description	Material / Colour	Article number
Self-supporting siphon	Chromed brass	<b>CONT09300010000</b>
	Stainless steel matt	<b>CONT09200010000</b>



## **Urinal flush valves**

Functional options..... 350

### **Concealed urinal flush valves**

ultra..... 352

iQ ..... 354

lino ..... 355

Siphon regulator ..... 357

### **Exposed urinal flush valves**

lino ..... 358

### **Accessories for urinal flush valves**

Central mains power supply..... 360

Battery exchange kits ..... 361

Splitter for multiple installations ..... 362

Cleaning products..... 363

Tool kit..... 363

### **Retrofitting sets**

Retrofitting sets for urinal flush valves..... 436

# Functional options for urinal flush valves

Overview urinal flush valves (not all features combinable)

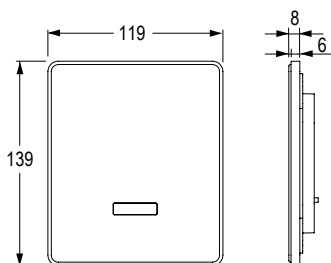


Urinal flush valves	FUNCTIONAL CHARACTERISTICS		
	Water flow actuation		Resource-saving functions
	Self-closing function, electronic	IR sensor	Adjustable water flow time
<b>CONCEALED URINAL FLUSH VALVES</b>			
ultra	•	•	•
iQ	•	•	•
lino	•	•	•
<b>EXPOSED URINAL FLUSH VALVES</b>			
lino	•	•	•
<b>SIPHON REGULATOR</b>			
S10	•	•	•

Service functions										Hygiene and safety functions		
Temporary-off - cleaning stop	Short-on - manual flush	Stadium mode - 1 flush per minute	Overflow protection	Self-adapting sensor sensitivity	Function key Click	Function key Touch	VARIOconnect	Service APP	Touchless operation	Touchless operation	Service APP	CNX Water Management System
•	•	•		•		•	•	•	•	•	•	•
•	•	•		•		•	•	•	•	•	•	•
•	•	•		•		•	•	•	•	•	•	•
•	•	•		•	•				•	•	✦	
			•						•	•		

•: Standard feature | ✦: Service APP, only possible in conjunction with BLE Converter

## ultra urinal flush valve U18



### ultra urinal flush valve U18, with IR sensor, white/chromed - final installation set

Touchless, electronically controlled urinal flush valve for concealed installation:

- Front plate made of glass, white
- Double IR sensors (with automatic setting feature!), microprocessor
- Reliable solenoid valve (minimal level of water pressure surge)
- Dynamic sensor: constantly adjusts the optimum range
- Temporary-off (cleaning) and short-on (manual flush) activatable with Touch
- Flush time and sensor sensitivity adjustable with Touch
- 24- or 48-hour hygienic flush and pre-rinse activatable with Touch
- Variable installation in combination with urinal shell set U2L or U3L (not included)
- Compatible with CNX and Service APP: control of stored operational data, settings and control functions

Battery: 6V Lithium CRP2 - standard; life time up to 4 years  
 Mains supply: Plug-in transformer 110-240 V 50/60 Hz / 6V  
 VARIOconnect: For single- and multiple power supply and data connection (Connection to CNX and Service APP - see accessories)

Operating pressure: 0,3-10 bar  
 Flow rate (approx.): 20 l/min / 5,3 gpm (3 bar)  
 Filter: 0,5 mm mesh size  
 Sensor-sensitivity: Automatic self-adapting sensor technology  
 Flush time: Pre-set approx. 7 s (adjustable with Touch 2-30 s)  
 Temporary-off (approx.): 2 min. (fixed)  
 Residence time (approx.): 10 s (fixed)  
 Engineering standards: DIN EN 200;  $\text{CE}$

**Necessary accessory:** 220.022.00 urinal shell set U3L or 220.025.00 urinal shell set U2L

**Note:** When integrated into the CNX Water Management System, the CNX Converter 6V must be ordered separately.  
 When using the Service APP, the BLE Converter must be ordered separately.

Power supply		Colour	Article number
Battery		Front plate: white glass Frame: chromed	<b>260.000.31</b>
Concealed mains power supply		Front plate: white glass Frame: chromed	<b>260.010.31</b>
VARIOconnect		Front plate: white glass Frame: chromed	<b>260.016.31</b>

# ultra urinal flush valve U18



## ultra urinal flush valve U18, with IR sensor, black/chromed - final installation set

Touchless, electronically controlled urinal flush valve for concealed installation:

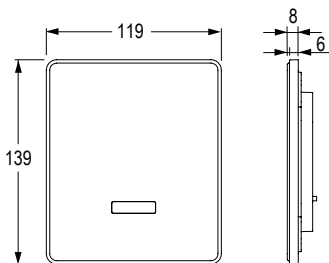
- Front plate made of glass, black
- Double IR sensors (with automatic setting feature!), microprocessor
- Reliable solenoid valve (minimal level of water pressure surge)
- Dynamic sensor: constantly adjusts the optimum range
- Temporary-off (cleaning) and short-on (manual flush) activatable with Touch
- Flush time and sensor sensitivity adjustable with Touch
- 24- or 48-hour hygienic flush and pre-rinse activatable with Touch
- Variable installation in combination with urinal shell set U2L or U3L (not included)
- Compatible with CNX and Service APP: control of stored operational data, settings and control functions

Battery: 6V Lithium CRP2 - standard; life time up to 4 years  
 Mains supply: Plug-in transformer 110-240 V 50/60 Hz / 6V  
 VARIOconnect: For single- and multiple power supply and data connection (Connection to CNX and Service APP - see accessories)

Operating pressure: 0,3-10 bar  
 Flow rate (approx.): 20 l/min / 5,3 gpm (3 bar)  
 Filter: 0,5 mm mesh size  
 Sensor-sensitivity: Automatic self-adapting sensor technology  
 Flush time: Pre-set approx. 7 s (adjustable with Touch 2-30 s)  
 Temporary-off (approx.): 2 min. (fixed)  
 Residence time (approx.): 10 s (fixed)  
 Engineering standards: DIN EN 200; CE

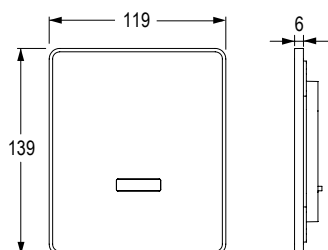
**Necessary accessory:** 220.022.00 urinal shell set U3L or 220.025.00 urinal shell set U2L

**Note:** When integrated into the CNX Water Management System, the CNX Converter 6V must be ordered separately.  
 When using the Service APP, the BLE Converter must be ordered separately.



power supply		colour	Article number
Battery		Front plate: black glass Frame: chromed	<b>260.000.71</b>
Concealed mains power supply		Front plate: black glass Frame: chromed	<b>260.010.71</b>
VARIOconnect		Front plate: black glass Frame: chromed	<b>260.016.71</b>

## iQ urinal flush valve U28



### iQ urinal flush valve U28, with IR sensor, stainless steel/chromed - final installation set

Touchless, electronically controlled urinal flush valve for concealed installation:







- Sturdy front plate made of brushed stainless steel
- Double infrared sensors (with automatic setting feature!), microprocessor
- Reliable solenoid valve (minimal level of water pressure surge)
- Dynamic sensor: constantly adjusts the optimum range
- Temporary-off (cleaning) and short-on (manual flush) activatable with Touch
- Flush time and sensor sensitivity adjustable with Touch
- 24- or 48-hour hygienic flush and pre-rinse activatable with Touch
- Variable installation in combination with urinal shell set U2L or U3L (not included)
- Compatible with CNX and Service APP: control of stored operational data, settings and control functions

Battery: 6V Lithium CRP2 - standard; life time up to 4 years  
 Mains supply: Plug-in transformer 110-240 V 50/60 Hz / 6V  
 VARIOconnect: For single- and multiple power supply and data connection (Connection to CNX and Service APP - see accessories)

Operating pressure: 0,3-10 bar  
 Flow rate (approx.): 20 l/min / 5,3 gpm (3 bar)  
 Filter: 0,5 mm mesh size  
 Sensor-sensitivity: Automatic self-adapting sensor technology  
 Flush time: Pre-set approx. 7 sec. (adjustable with Touch 2-30 sec.)  
 Temporary-off (approx.): 2 min. (fixed)  
 Residence time (approx.): 10 sec. (fixed)  
 Engineering standards: DIN EN 200;  $\text{CE}$

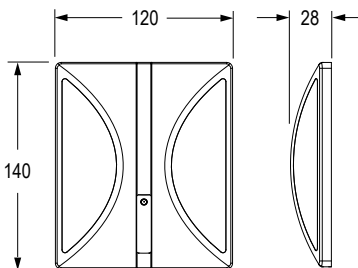
**Necessary accessory:** 220.022.00 urinal shell set U3L or  
 220.025.00 urinal shell set U2L

**Note:** When integrated into the CNX Water Management System, the CNX Converter 6V must be ordered separately.  
 When using the Service APP, the BLE Converter must be ordered separately.

Power supply		Colour	Article number
 Battery		Front plate: brushed stainless steel Frame: chromed	<b>201.000.01</b>
 Concealed mains power supply		Front plate: brushed stainless steel Frame: chromed	<b>201.010.01</b>
 VARIOconnect		Front plate: brushed stainless steel Frame: chromed	<b>201.016.01</b>



## lino urinal flush valve U10



### lino urinal flush valve U10, with IR sensor, chromed/white - final installation set

Touchless, electronically controlled urinal flush valve for concealed installation:

- Sturdy front plate made of metal, chromed
- Infrared sensor (with automatic setting feature!), microprocessor
- Reliable solenoid valve (extremely minimal level of water pressure surge)
- Dynamic sensor: constantly adjusts the optimum of range
- Temporary-off (cleaning) and short-on (manual flush) activatable with Click
- Flush time and sensor sensitivity adjustable with Click
- 24- or 48-hour hygienic flush and pre-rinse activatable with Click
- Variable installation in combination with urinal shell set U2L or U3L (not included)
- Stop valve and filter in concealed installation box
- Compatible with CNX and Service APP: control of stored operational data, settings and control functions

Battery: 6V Lithium CRP2 - standard; life time up to 4 years  
 Mains supply: Plug-in transformer 110-240 V 50/60 Hz / 6V  
 VARIOconnect: For single- and multiple power supply and data connection (Connection to CNX and Service APP - see accessories)


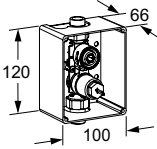
Operating pressure: 0,3-10 bar  
 Flow rate (approx.): 20 l/min / 5,3 gpm (3 bar)  
 Filter: 0,5 mm mesh size  
 Sensor-sensitivity: Automatic self-adapting sensor technology  
 Flush time: Pre-set approx. 7 sec. (adjustable with Touch 2-30 sec.)  
 Temporary-off (approx.): 2 min. (fixed)  
 Residence time (approx.): 10 s (fixed)  
 Engineering standards: DIN EN 200; CE

**Necessary accessory:** 220.022.00 urinal shell set U3L or 220.025.00 urinal shell set U2L


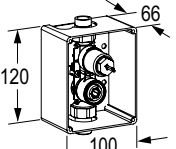
**Note:** When integrated into the CNX Water Management System, the CNX Converter 6V must be ordered separately.  
  
When using the Service APP, the BLE Converter must be ordered separately.

Power supply		Colour	Article number
Battery		Front plate: chromed / Window: white	<b>220.000.43</b>
		Front plate: white / Window: white	<b>220.000.33</b>
Concealed mains power supply		Front plate: chromed / Window: white	<b>220.010.43</b>
		Front plate: white / Window: white	<b>220.010.33</b>
VARIOconnect		Front plate: chromed / Window: white	<b>220.016.43</b>
		Front plate: white / Window: white	<b>220.016.33</b>

## Accessories for concealed urinal flush valves U18, U28, U10

		<p>Urinal shell set U3L</p> <p>Shell set for concealed pre-installation U18, U28, U10 (final installation set):</p> <ul style="list-style-type: none"> <li>• Concealed housing, valve body with stop valve and flush connector</li> <li>• made of Grivory® (sea water resistant)</li> </ul>
Description	Version	Article number
Urinal shell set U3L	Urinal shell set with integrated stop valve and flush connector	<b>220.022.00</b>

## Accessories for siphon regulator S10

		<p>Urinal shell set U3S</p> <p>Shell set for concealed pre-installation of siphon regulator S10 (final installation set):</p> <ul style="list-style-type: none"> <li>• Concealed housing, valve body with stop valve and flush connector</li> </ul> <p>Operating pressure: 0,3-10 bar  Flow rate: Approx. 20 l/min / 5,3 gpm (3 bar)  Filter: 0,5 mm mesh size  Engineering standards: DIN EN 200; C€</p>
Description	Version	Article number
Urinal shell set U3S	Urinal shell set with integrated stop valve and filter, flush connector	<b>230.022.00</b>

## urinal flush control S10, siphon regulator



### urinal flush control S10, siphon regulator - final installation set

Touchless, invisible and inaccessible electronically controlled urinal flush control for mounting behind the urinal (not included).

Consisting of electronics and siphon:

- Siphon with outlet DN50 for flush volume (urinal): 2 - 8 l/min (article number 230.010.00)
- Invisible installation behind the urinal
- Measurements at the siphon, no contaminations of the sensor
- Automatic adjustment to conditions at place of use
- All functions pre-set
- Flush time adjustable directly at electronic module
- Automatic flush: 24 hours after last flush
- Overflow protection: no flushing at fully and partial blockage
- Stadium operation: frequent usage leads up to 1 flush per minute
- Regular flushing after use within 10 sec.
- Stop valve, filter pre-mounted in shell set U3S
- 1x solenoid valve 6 V/DC included
- Variable installation in combination with urinal shell set U3S or U2S (not included)
- No use for urinals made of stainless steel



Mains supply: Plug-in transformer 110 - 240V 50/60Hz / 6V (transformer integrated in electronic module)

Release time (approx.): 10 sec. after usage  
 Flush time: Pre-set approx. 7 sec. (adjustable 1 - 14 s)  
 Operating pressure: 0,3-10 bar  
 Flow rate (approx.): 20 l/min / 5,3 gpm (3 bar)  
 Engineering standards: DIN EN 200;  $\text{CE}$

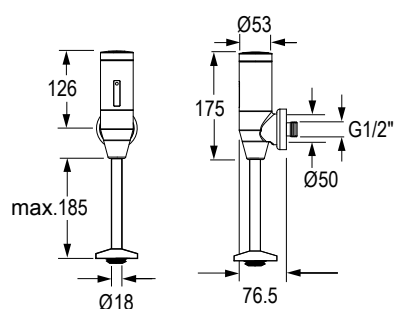
**Necessary accessory:** 230.022.00 urinal shell set U3S or  
 230.025.00 urinal shell set U2S

This photo shows:  
urinal with urinal control S10



Description		Model	Article number
 Mains supply		S10 siphon regulator with 2 - 8l siphon	<b>230.010.00</b>

## lino exposed urinal flush valve U60



## lino exposed urinal flush valve U60, with IR sensor, chromed

Touchless, electronically controlled urinal flush valve for exposed installation:

- Sturdy brass housing
- Digital microelectronics with processor (water-proof)
- Dynamic IR sensor: constantly determines the optimum range
- Reliable solenoid valve (minimal level of water pressure surge)
- Temporary-off (cleaning) and short-on (manual flush) activatable with Click
- Flush time and sensor sensitivity adjustable with Click
- 24-hour hygienic flush and pre-rinse activatable with Click
- Stop valve with filter and rosette
- Rinse pipe and cover rosette (185 mm) with urinal connector

Battery: 6V Lithium CRP2 - standard; life time up to 4 years  
 Solar: Photovoltaic cells with 6 V Lithium CRP2 (support batteries) commercial life-time up to 6 years

Operating pressure: 0,3-10 bar  
 Flow rate (approx.): 25 l/min / 6,6 gpm(3 bar)  
 Filter: 0,5 mm mesh size  
 Rinse pipe: Bore 18 mm  
 Sensor-sensitivity: Automatic self-adapting sensor technology  
 Residence time: Approx. 10 s (fixed)  
 Flush time: Pre-set approx. 7 sec. (adjustable with remote control 2-30 sec.)  
 Temporary-off (approx.): 2 min. (fixed)  
 Residence time (approx.): 10 s (fixed)  
 Engineering standards: DIN EN 200; C€

Power supply

Colour

Article number



Battery

Chromed


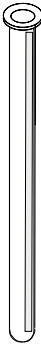
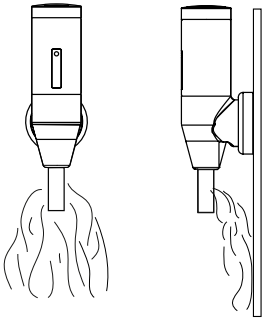
**220.100.11**

Solar


Chromed

**220.108.11**

## Accessories for lino urinal flush valve U60


	<p>Cranked flush pipe for lino exposed urinal flush valve U60</p> <ul style="list-style-type: none"> <li>• Replacement of straight infeed tube at ports with offset</li> <li>• Length: approx. 300 mm</li> </ul>	
Description	Offset	Article number
<p>Cranked infeed tube for lino exposed urinal flush valve U60</p>	10 mm	<b>550.011.11</b>
	20 mm	<b>550.012.11</b>
	30 mm	<b>550.013.11</b>
	40 mm	<b>550.014.11</b>
	50 mm	<b>550.015.11</b>
	<p>Extra long infeed tube for lino exposed urinal flush valve U60</p> <ul style="list-style-type: none"> <li>• Length: ca. 500 mm</li> </ul>	
Description	Article number	
Infeed tube	<b>550.020.11</b>	
	<p>Spray-head for exposed lino urinal flush valve U60</p> <ul style="list-style-type: none"> <li>• For rinsing of urinal walls</li> <li>• Length: approx. 50 mm</li> </ul>	
Description	Article number	
Spray-head for exposed urinal flush valve	<b>550.021.00</b>	


## Central mains power supplies for multiple installation

 	<p>Concealed central power supply, for up to 30 units</p> <p>Suitable for:</p> <ul style="list-style-type: none"> <li>• All lavatory faucets with VARIOconnect for multiple installations up to 30 units (except lumino L10i and L10c)</li> <li>• Urinal flush valves with VARIOconnect (U10, U18, U28)</li> <li>• Multiple installation bypass for lino flush-mounted shower faucets up to 30 units</li> <li>• Exclusively for use with flush-mounted splitters 550.042.00 or 550.43.00 or 550.044.00</li> </ul> <p>Consisting of:</p> <ul style="list-style-type: none"> <li>• Concealed mains power supply 110-240 V / 12 V</li> <li>• Concealed installation box with white cover</li> <li>• Installation cable 3000 mm with plug connector for faucets/flush valves</li> </ul>		
	Description	Installation type	Voltage
Concealed central mains power supply, with flush-mounted outlet	up to 30 units	110-240 V / 12 V	<b>550.041.00</b>

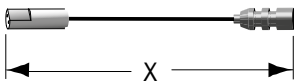
 	<p>Concealed central mains power supply, for up to 12 units</p> <p>Suitable for:</p> <ul style="list-style-type: none"> <li>• All lavatory faucets with VARIOconnect in multiple installations up to 12 units (except lumino L10i and L10c)</li> <li>• Shower panel CONPRIMUS, lavatory faucet lino PRIMUS upright faucet L40 (single installation)</li> <li>• Urinal flush valves with VARIOconnect (U10, U18, U28) up to 12 units</li> <li>• Multiple installation bypass for lino flush-mounted shower faucets up to 12 units</li> <li>• Exclusively for use with flush-mounted splitters 550.042.00 or 550.43.00 or 550.044.00</li> </ul> <p>Consisting of:</p> <ul style="list-style-type: none"> <li>• Concealed mains power supply 110-240 V / 12 V</li> <li>• Concealed installation box with white cover</li> <li>• Installation cable 3000 mm with plug connector for faucets/flush valves</li> </ul>		
	Description	Installation type	Voltage
Concealed central mains power supply, with flush-mounted outlet	up to 12 units	110-240 V / 12 V	<b>550.045.00</b>

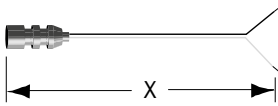
## Battery exchange kits

	<b>Battery exchange kit 2CR5</b> For following models: A10, A20, A30, U20, U40, U50, U51  Consisting of: <ul style="list-style-type: none"> <li>• Battery (6 V Lithium 2CR5 resp. DL 245)</li> </ul>	
	Description	Article number
Battery exchange kit 2CR5		<b>CONZ8955003</b>

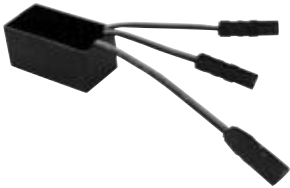

	<b>Battery exchange kit CRP2</b> For following models: 2in1, A50, D10, G10, G20, G30, K10, K20, K30, L10, L20, L30, L15, L15P, L25, L25P, M10, M20, U10, U18, U28, U60, U55, W10, W30, W35, W45, WV10, WV20, H10.  Lieferumfang: <ul style="list-style-type: none"> <li>• Battery (6 V Lithium CRP2 resp. DL 223 A)</li> </ul>	
	Description	Article number
Battery exchange kit CRP2		<b>CONZ8955004</b>

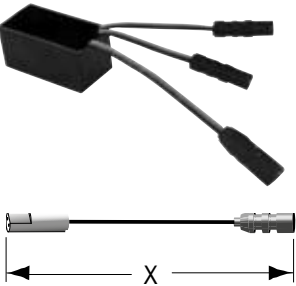

## Installation cable for multiple installations

	<b>Installation cable for multiple installations, 300 mm / 1200 mm / 3200 mm</b> Sheathed with additional protective insulation  Consisting of: <ul style="list-style-type: none"> <li>• 1x 8 mm plug, water resistant (female)</li> <li>• 1x 8 mm plug, water resistant (male)</li> </ul>		
	Description	Installations type	Length (x)
Installation cable	For multiple installations	300 mm	<b>550.037.03</b>
	For multiple installations	1200 mm	<b>550.037.12</b>
	For multiple installations	3200 mm	<b>550.037.32</b>

	<b>Installation cable for multiple installations with open wires, 3000 mm</b> Sheathed with additional protective insulation  Consisting of: <ul style="list-style-type: none"> <li>• 1x Plug 8 mm (female)</li> <li>• 1x Tin-plated wires</li> </ul>		
	Description	Installations type	Length (x)
Installation cable with open wires	For multiple installations	3000 mm	<b>550.046.30</b>

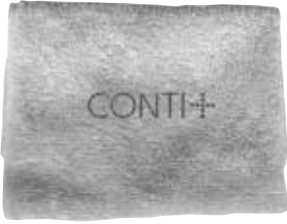
## Splitter for multiple installations of units with VARIOconnect


 	<p>Concealed splitter for multiple installations</p> <p>Suitable for:</p> <ul style="list-style-type: none"> <li>All lavatory faucets (except lumino L10i and L10c), flush-mounted shower faucets and urinal flush valves U10, U18, U28 with VARIOconnect</li> <li>Exclusively for use with flush-mounted central power supply units for multiple installations (550.041.00 or 550.045.00)</li> <li>One splitter set required per connected faucet/urinal flush valve and bypass solenoid valve</li> </ul> <p>Consisting of:</p> <ul style="list-style-type: none"> <li>Splitter for voltage range 12 VAC/VDC-28 VAC/VDC</li> <li>3 Terminals (60 mm)</li> </ul>	
	Description	Installation type
Concealed splitter set	for multiple installations	<b>550.044.00</b>

 	<p>Concealed splitter for multiple installations</p> <p>Suitable for:</p> <ul style="list-style-type: none"> <li>All lavatory faucets (except lumino L10i and L10c), flush-mounted shower faucets and urinal flush valves U10, U18, U28 with VARIOconnect</li> <li>Exclusively for use with flush-mounted central power supply units for multiple installations (550.041.00 or 550.045.00)</li> <li>One splitter set required per connected faucet/urinal flush valve and bypass solenoid valve</li> </ul> <p>Consisting of:</p> <ul style="list-style-type: none"> <li>Splitter for voltage range 12 VAC/VDC-28 VAC/VDC</li> <li>3 Terminals (60 mm)</li> <li>Installation cable with length (x) and plug-in connector for faucets</li> </ul>		
	Description	Installation type	Length (x)
Concealed splitter set	for multiple installation	1200 mm	<b>550.044.12</b>
	for multiple installation	3200 mm	<b>550.044.32</b>




## Cleaning products

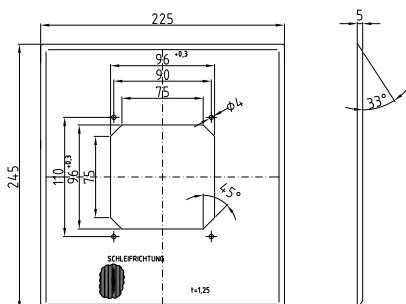
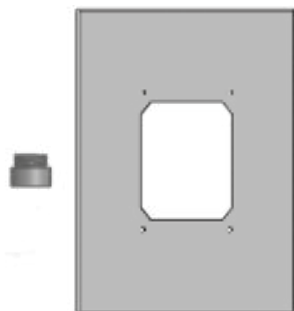
	<p><b>Microfiber cloth (grey)</b></p> <p>Soft microfiber cloth for professional use. With velvety surface for slightly textured, smooth and delicate surfaces, very good for cleaning stainless steel, chromed, aluminium, faucets and lacquered surface, washable up to 95 °C.</p>	
Description	Dimension	Article number
Microfiber cloth grey	Approx. 400x400 mm	<b>CONO690200</b>

	<p><b>Cleaner BR75</b></p> <p>Swimming pool and sanitary cleaners for all public and private swimming pools, toilets (urinals), showers and bath rooms, acid-resistant tiles and sanitary porcelain, as well as for removal of cement veils.</p>	
Description	Filling quantity	Article number
Cleaner BR75	1000 ml	<b>CONO690100</b>

## Tool kit

	<p><b>Tool kit for service and assembly of CONTI+ faucets</b></p> <p>Consisting of:</p> <ul style="list-style-type: none"> <li>• 1 Hook wrench 38 mm</li> <li>• 1 Allen key SW 3x36x16,5</li> <li>• 1 Face spanner adjustable</li> <li>• 1 Face spanner-screwdriver with handle</li> <li>• 1 Hexagon key SW 2x100</li> <li>• 1 Hexagon key SW 2,5x100</li> <li>• 1 Hexagon key SW 3x100</li> <li>• 1 Hexagon key SW 6x160</li> <li>• 1 Allen key SW 4x140x28</li> <li>• 1 Microfiber cloth</li> <li>• 1 Tool-belt bag</li> </ul>	
Description	Colour	Article number
Tool kit for service and assembly of CONTI+ faucets	Black/Blue	<b>CONO690300</b>

## Retrofitting set urinal flush valve



## Retrofitting set urinal flush valve 55 - 68

Universal equipment on electronic touchless CONTI+ sensor urinal flush valves U18 and U28 of mechanical pressure washers with water lengths 55 or 68 mm

Universal cover plate for further use of the existing raw mounting sets for wall installation

Consisting of:

- Adapter: brass, 23 mm, O-ring seal, water section, thread IG / AG 3/4
- Cover plate, stainless steel 1.4301, brushed surface, 250x250 mm, with sealing, mounting on site

Operating pressure: 0,3-10 bar  
 Flow rate: 20 l/min / 5,3 gpm (3 bar)  
 Connection: Rp 3/4  
 Protection class: IP68 (electronic components)

Description

Colour

Article number

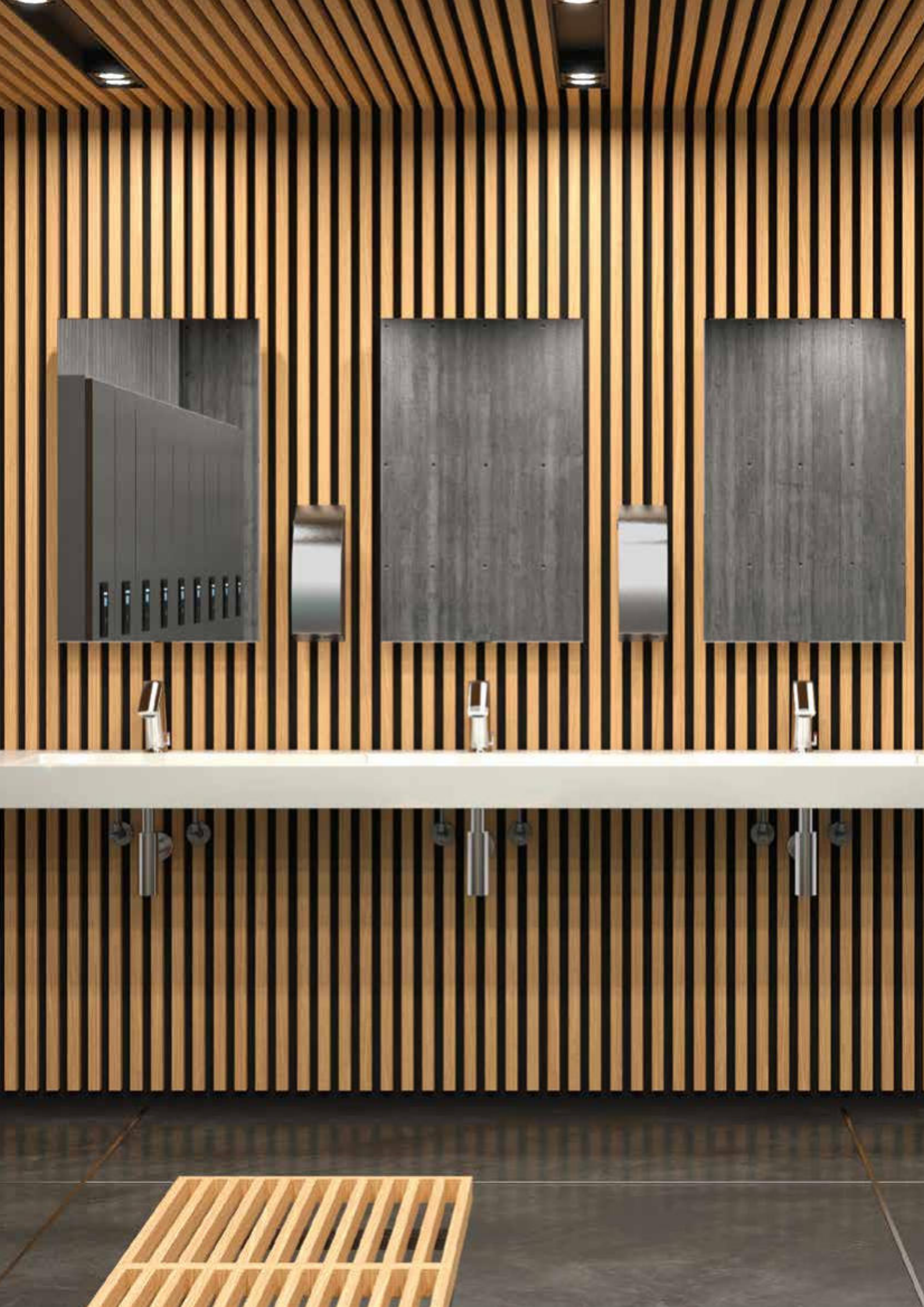
Retrofitting set urinal flush valve 55 - 68

Stainless steel

**CONS1155100000**

CONTI 





## Sanitary equipment

### Design series SteelTec

Hand dryers .....	368
Paper towel dispensers.....	369
Dispensers soap   disinfectant.....	370
Toilet paper holders.....	371
Hygiene /waste bins.....	380
Diaper changing table.....	376
Paper roll holders .....	376

### Design series BJÖRK

Hand dryers .....	378
Paper dispenser.....	379
Dispensers soap   disinfectant.....	380
Toilet paper holders.....	382
Hygiene /waste bins.....	383
Diaper changing tables .....	384
Paper towel dispensers.....	385

### Accessories SteelTec | BJÖRKI

Floor/Table stands .....	386
Drip tray .....	388
Supply transformers for dispenser systems .....	389


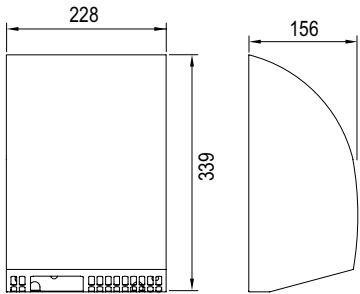
### Design series TAP


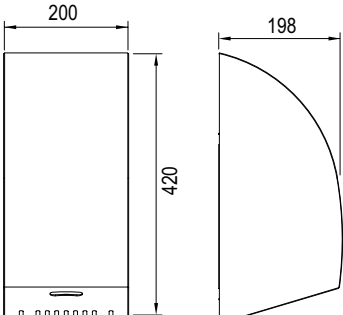
Hand dryers .....	390
Dispensers soap   disinfectant.....	391

### Stainless steel equipment

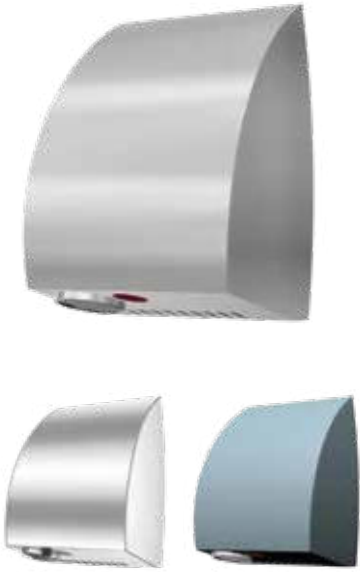
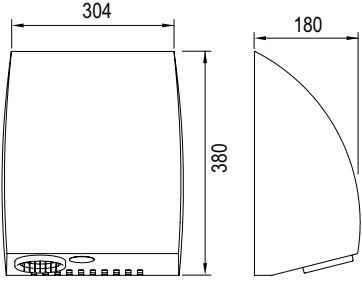
Hand and hair dryers.....	392
Hand dryers .....	393
Hair dryer.....	396
Hygiene /waste bins.....	397
Hygienic bag dispensers .....	399
Paper towel dispensers.....	400
Diaper changing table.....	401
Dispensers soap   disinfectant.....	404
Toilet accessories.....	409
Wall mirrors .....	411
Consumable supplies .....	413
Washbasins.....	415
Wash troughs .....	420
Laboratory sink .....	423
Bucket sinks.....	424
Urinal.....	428
Wall-mounted toilet.....	429

## SteelTec hand dryer DESIGN


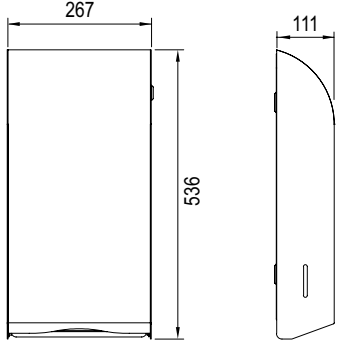
		<p><b>SteelTec hand dryer MINI DESIGN</b></p> <p>Touchless hand dryer with housing made of 1,5 mm brushed stainless steel, IR sensor and electronic timer.</p> <ul style="list-style-type: none"> <li>• For wall mounting</li> <li>• Drying cycle: approx. 30 sec.</li> <li>• Almost maintenance-free</li> <li>• With induction motor</li> <li>• Adjustable sensor range</li> <li>• With lock for effective protection against vandalism</li> <li>• Air velocity adjustable</li> <li>• Additionally available in all RAL Classic colours</li> </ul> <p>Weight: 6 kg  Dimensions (WxHxD): 228x339x156 mm  Nominal capacity: 1800 W  Noise level: 64 dBa  Outlet temperature (max.): 55 °C  Protection class: IP21</p>	
Description	Version	Material	Article number
SteelTec hand dryer MINI DESIGN	With IR sensor	Stainless steel matt	<b>CONT21200810281</b>

		<p><b>SteelTec hand dryer TURBO DESIGN</b></p> <p>Touchless hand dryer with housing made of 1,5 mm brushed stainless steel, IR sensor and electronic timer.</p> <ul style="list-style-type: none"> <li>• For wall mounting</li> <li>• Drying cycle: approx. 10-15 sec.</li> <li>• Powerful commutator motor</li> <li>• Adjustable sensor range</li> <li>• With lock for effective protection against vandalism</li> <li>• Air velocity adjustable</li> <li>• Additionally available in all RAL Classic colours</li> </ul> <p>Weight: 6,9 kg  Dimensions (WxHxD): 200x420x198 mm  Nominal capacity: 1600 W  Noise level: 78 dBa  Outlet temperature (max.): 60 °C  Protection class: IPX1</p>	
Description	Version	Material / Colour	Article number
SteelTec hand dryer TURBO DESIGN	With IR sensor	Stainless steel matt	<b>CONT21200810288</b>


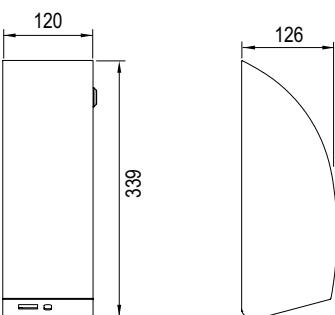
## SteelTec hand dryer DESIGN


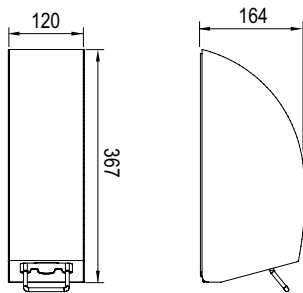
		<p><b>SteelTec hand dryer AE DESIGN</b></p> <p>Touchless hand dryer with housing made of 1,5 mm brushed stainless steel, IR sensor and electronic timer.</p> <ul style="list-style-type: none"> <li>• For wall mounting</li> <li>• Drying cycle: approx. 20-25 sec.</li> <li>• Almost maintenance-free</li> <li>• With induction motor</li> <li>• 90% recyclable</li> <li>• Air velocity adjustable</li> </ul> <p>Weight: 7,65 kg  Dimensions (WxHxD): 304x380x180 mm  Nominal capacity: 2360 W  Noise level: 62 dBa  Outlet temperature (max.): 65 °C  Protection class: IP23</p> <p><b>*Note:</b> Gloss level to be specified</p>	
Description	Version	Material / Colour	Article number
SteelTec hand dryer AE DESIGN	With IR sensor	Stainless steel matt	<b>CONT21200810280</b>
	With IR sensor	Stainless steel polished	<b>CONT21100810290</b>
	With IR sensor	Stainless steel, RAL	<b>CONT21900810291</b>

## SteelTec paper towel dispenser DESIGN

		<p><b>SteelTec paper towel dispenser DESIGN</b></p> <p>Paper towel dispenser with housing made of 1,5 mm brushed stainless steel. 2-ply Z/C-fold paper towels (max. 95x250 mm)</p> <ul style="list-style-type: none"> <li>• For wall mounting</li> <li>• With lock for effective protection against vandalism</li> <li>• Additionally available in all RAL Classic colours</li> </ul> <p>Weight: 5 kg  Dimensions (WxHxD): 267x536x111 mm  Opened (WxHxD): 267x536x460 mm  Filling capacity: 400 pcs.</p>	
Description	Filling capacity	Material	Article number
SteelTec Paper towel dispenser	400 pcs.	Stainless steel matt	<b>CONT16200710286</b>

## SteelTec dispenser DESIGN


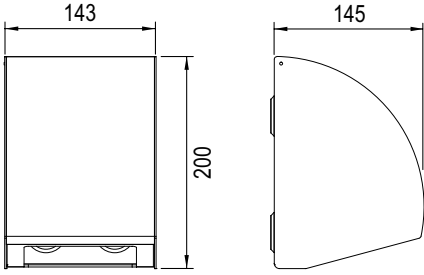
			<p><b>SteelTec dispenser DESIGN</b></p> <p>Touchless dispenser for liquid soap/disinfectant or foam soap made of 1.5 mm brushed stainless steel AISI 304.</p> <ul style="list-style-type: none"> <li>• For wall mounting</li> <li>• Refillable container</li> <li>• Power connection possible with external transformer*</li> <li>• Intelligent automatically sensor range</li> <li>• LED light for power indicator</li> <li>• With lock for effective protection against vandalism</li> <li>• Additionally available in all RAL Classic colours</li> </ul> <p>Weight: 2,5 kg                  Dimensions (WxHxD): 120x339x126 mm                  Opened (WxHxD): 120x340x350 mm</p> <p>Suitable table and floor stands starting on page 386.</p>
	<p><b>Note:</b> Please fill only ready to use disinfection dilution e.g. CONTI+ oXan clean into the dispenser; in case the dilution could be mix within the tank of the dispenser made of e.g. CONTI+ oXan clean concentrate and distilled water.</p>		
Description	Version	Filling capacity	Article number
SteelTec dispenser DESIGN	Liquid soap/disinfectant	950 ml	<b>CONT17200810282</b>
	Foam soap	800 ml	<b>CONT17200810295</b>


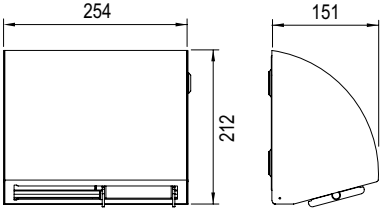
			<p><b>SteelTec dispenser DESIGN</b></p> <p>Manual dispenser for liquid soap, disinfectant or foam soap made of 1.5 mm brushed stainless steel AISI 304.</p> <ul style="list-style-type: none"> <li>• For wall mounting</li> <li>• Manually operated dispenser</li> <li>• 1000-1200 dosages</li> <li>• With lock for effective protection against vandalism</li> <li>• Additionally available in all RAL Classic colours</li> </ul> <p>Weight: 2,75 kg                  Dimensions (WxHxD): 120x367x164 mm                  Opened (WxHxD): 120x367x363 mm                  Filling capacity: 1200 ml</p>
	<p><b>Note:</b> Please fill only ready to use disinfection dilution e.g. CONTI+ oXan clean into the dispenser; in case the dilution could be mix within the tank of the dispenser made of e.g. CONTI+ oXan clean concentrate and distilled water.</p>		
Description	Version	Material	Article number
SteelTec dispenser DESIGN	Liquid soap	Stainless steel matt	<b>CONT17200710296</b>
	Disinfectant	Stainless steel matt	<b>CONT17200710297</b>
	Foam soap	Stainless steel matt	<b>CONT17200710298</b>

Sanitary equipment




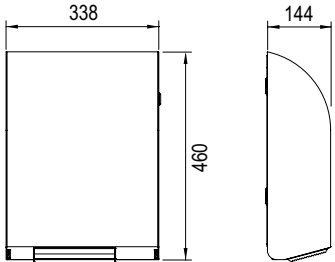
## SteelTec toilet paper holder DESIGN


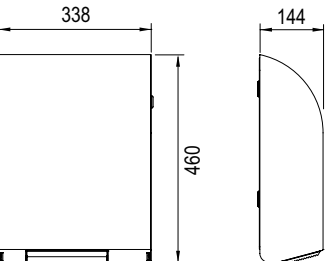
		<p><b>SteelTec toilet paper holder DESIGN, for 1 standard paper roll</b></p> <p>Toilet paper holder with housing made of 1,5 mm brushed stainless steel, AISI 304.</p> <ul style="list-style-type: none"> <li>• For 1 standard size paper roll</li> <li>• For wall mounting</li> <li>• Easy access during paper roll exchange</li> <li>• Additionally available in all RAL Classic colours</li> </ul> <p>Weight: 2 kg                  Dimensions (WxHxD): 143x200x145 mm                  Opened (WxHxD): 143x200x200 mm                  Filling capacity: 1 standard size paper roll</p>	
Description	Filling capacity	Material	Article number
SteelTec toilet paper holder DESIGN	1 Standard paper roll	Stainless steel matt	<b>CONT13200710277</b>

		<p><b>SteelTec toilet paper holder DESIGN, for 2 standard paper rolls</b></p> <p>Toilet paper holder with housing made of 1,5 mm brushed stainless steel, AISI 304.</p> <ul style="list-style-type: none"> <li>• For 2 standard size paper rolls</li> <li>• For wall mounting</li> <li>• Easy access during paper roll exchange</li> <li>• Additionally available in all RAL Classic colours</li> </ul> <p>Weight: 3,15 kg                  Dimensions (WxHxD): 254x212x151 mm                  Opened (WxHxD): 254x212x220 mm                  Filling capacity: 2 Standard paper size rolls</p>	
Description	Filling capacity	Material	Article number
SteelTec toilet paper holder DESIGN	2 Standard size paper rolls	Stainless steel matt	<b>CONT13200710278</b>

Sanitary equipment


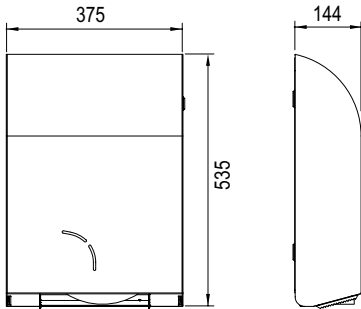
## SteelTec toilet paper holder DESIGN

		<p><b>SteelTec toilet paper holder DESIGN</b></p> <p>Toilet paper holder with housing made of 1,5 mm brushed stainless steel, AISI 304.</p> <ul style="list-style-type: none"> <li>• For 4 standard size paper rolls</li> <li>• For wall mounting</li> <li>• With lock for effective protection against vandalism</li> <li>• Easy access during paper roll exchange</li> <li>• Additionally available in all RAL Classic colours</li> </ul> <p>Weight: 8 kg  Dimensions (WxHxD): 338x460x144 mm  Opened (WxHxD): 338x460x435 mm  Filling capacity: 4 standard size paper rolls</p>	
Description	Filling capacity	Material	Article number
SteelTec Toilet paper holder DESIGN	4 standard size paper rolls	Stainless steel matt	<b>CONT13200710285</b>


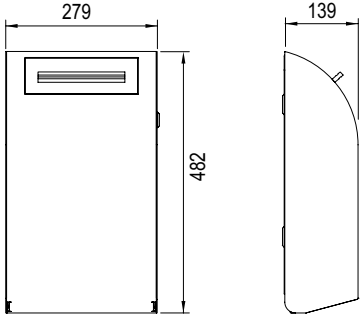
		<p><b>SteelTec WC toilet paper holder DESIGN</b></p> <p>Toilet paper holder with housing made of 1,5 mm brushed stainless steel, AISI 304.</p> <ul style="list-style-type: none"> <li>• For 1 maxi toilet paper roll</li> <li>• For wall mounting</li> <li>• With lock for effective protection against vandalism</li> <li>• Easy access during paper roll exchange</li> <li>• Additionally available in all RAL Classic colours</li> </ul> <p>Weight: 6,5 kg  Dimensions (WxHxD): 338x460x144 mm  Opened (WxHxD): 338x460x435 mm  Filling capacity: 1 maxi paper roll</p>	
Description	Filling capacity	Material	Article number
SteelTec toilet paper holder DESIGN	1 maxi toilet paper roll	Stainless steel matt	<b>CONT13200710287</b>

Sanitary equipment


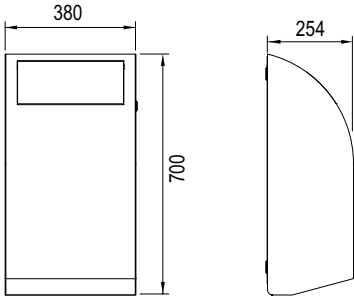
## SteelTec toilet paper holder DESIGN

		<p>SteelTec toilet paper holder DESIGN, for 1 maxi and 1 standard size paper roll</p> <p>Toilet paper holder with housing made of 1,5 mm brushed stainless steel, AISI 304</p> <ul style="list-style-type: none"> <li>• For wall mounting</li> <li>• Economical model with minimal paper waste</li> <li>• With practical inspection hole for easy control of the amount of paper</li> <li>• With lock for effective protection against vandalism</li> <li>• Additionally available in all RAL Classic colours</li> </ul> <p>Weight: 9,9 kg  Dimensions (WxHxD): 375x535x144 mm  Opened (WxHxD): 375x535x506 mm  Filling capacity: 1 maxi paper roll + 1 standard size paper roll</p>	
Description	Filling capacity	Material	Article number
SteelTec toilet paper holder DESIGN	1 maxi paper roll + 1 standard size paper roll	Stainless steel matt	<b>CONT13200710289</b>

## SteelTec hygiene bin DESIGN


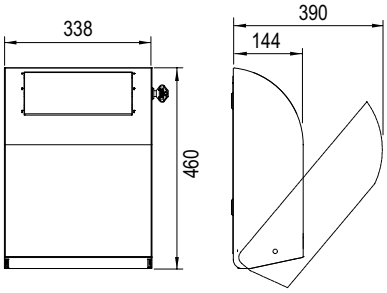
		<p><b>SteelTec hygiene bin DESIGN</b></p> <p>Hygiene bin with housing made of 1,5 mm brushed stainless steel, AISI 304</p> <ul style="list-style-type: none"> <li>• For wall mounting</li> <li>• With hygienic sluice insertion flap</li> <li>• With fully welded, stainless inner bucket</li> <li>• With lock for effective protection against vandalism</li> <li>• Additionally available in all RAL Classic colours</li> </ul> <p>Weight: 7 kg  Dimensions (WxHxD): 279x482x139 mm  Opened (WxHxD): 279x482x350 mm  Filling capacity: 7 l</p>	
Description	Version	Filling capacity	Article number
SteelTec hygiene bin DESIGN	With hygienic sluice insertion flap	7 l	<b>CONT18270710283</b>


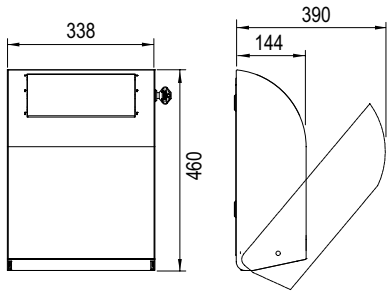
## SteelTec waste bin DESIGN

		<p><b>SteelTec waste bin DESIGN</b></p> <p>Waste bin with housing made of 1,5 mm brushed stainless steel, AISI 304.</p> <ul style="list-style-type: none"> <li>• For wall mounting</li> <li>• With self-closing swing lock</li> <li>• With fully welded, stainless inner bucket</li> <li>• Easy opening / closing with two shock absorbers</li> <li>• Lock for effective protection against vandalism</li> <li>• Additionally available in all RAL Classic colours</li> </ul> <p>Weight: 17,2 kg  Dimensions (WxHxD): 380x700x254 mm  Opened (WxHxD): 380x700x460 mm  Filling capacity: 30 l</p>	
Description	Version	Filling capacity	Article number
SteelTec waste bin DESIGN	With self-closing swing lock	30 l	<b>CONT18270710284</b>


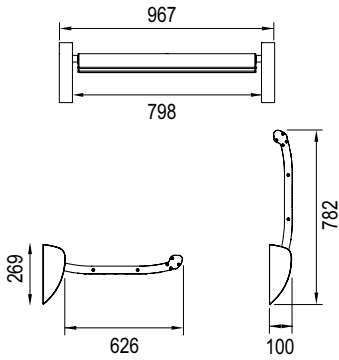
Sanitary equipment

## SteelTec waste bin DESIGN


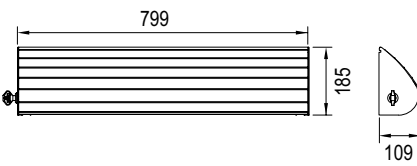
		<p><b>SteelTec waste bin DESIGN</b></p> <p>Waste bin and sanitary box made of 1,5 mm brushed stainless steel, AISI 304</p> <ul style="list-style-type: none"> <li>• For wall mounting</li> <li>• With hinged lid</li> <li>• With fully welded, stainless inner bucket</li> <li>• With lock for effective protection against vandalism</li> <li>• Additionally available in all RAL Classic colours</li> </ul> <p>Weight: 8,1 kg  Dimensions (WxHxD): 338x460x144 mm  Opened (WxHxD): 338x460x320 mm  Filling capacity: 11 l</p>	
Description	Version	Filling capacity	Article number
SteelTec waste bin DESIGN	With hinged lid	11 l	<b>CONT18270710279</b>

		<p><b>SteelTec waste bin DESIGN</b></p> <p>Waste bin and sanitary box made of 1,5 mm brushed stainless steel, AISI 304</p> <ul style="list-style-type: none"> <li>• For wall mounting</li> <li>• With self-closing swing lock</li> <li>• With fully welded, stainless inner bucket</li> <li>• With lock for effective protection against vandalism</li> <li>• Additionally available in all RAL Classic colours</li> </ul> <p>Weight: 8,6 kg  Dimensions (WxHxD): 338x460x144mm  Opened (WxHxD): 338x460x320 mm  Filling capacity: 12 l</p>	
Description	Version	Filling capacity	Article number
SteelTec waste bin DESIGN	With self-closing swing lock	12 l	<b>CONT18270710294</b>

## SteelTec diaper changing table


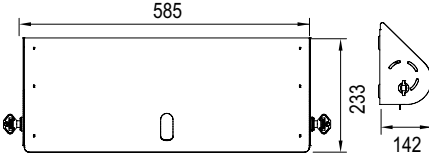
		<p><b>SteelTec diaper changing table</b></p> <p>Wall-mounted safety diaper changing table with belt. Brackets for wall mounting and end flanges: brushed stainless steel. Available as standard version with white aluminium profile.</p> <ul style="list-style-type: none"> <li>• For wall mounting</li> <li>• Made of cleaning-friendly materials</li> <li>• Can be folded up</li> <li>• Strong, safety strap and rounded edges</li> <li>• Additionally available in all RAL Classic colours and coated with different prints</li> <li>• Can be combined with matching paper roll holder</li> <li>• Without fastening material</li> </ul> <p>Weight: 17,1 kg                  Closed (WxHxD): 967x782x100 mm                  Opened (WxHxD): 967x782x626 mm                  Winding surface (L): 790 mm                  W (without brackets): 798 mm                  W (incl. brackets): 967 mm                  Load capacity: Up to 400 kg</p> <p>Suitable for:                  CONT13200710656 Paper holder                  CONT13200710655 Paper holder</p>	
Description	Version	Material	Article number
SteelTec diaper changing table	With safety strap	White-painted aluminium	<b>CONT25578710659</b>
	Without safety strap	White-painted aluminium	<b>CONT25578710660</b>

## SteelTec paper holder for diaper changing table

		<p><b>SteelTec paper holder for diaper changing table</b></p> <p>Toilet paper holder for diaper changing table. Available as standard version with white aluminium profile.</p> <ul style="list-style-type: none"> <li>• For wall mounting</li> <li>• Hygienic solution</li> <li>• Very sturdy model with safety locks</li> <li>• Holds 700x100 mm paper rolls</li> <li>• Additionally available in all RAL Classic colours</li> <li>• Can be combined with diaper changing table</li> </ul> <p>Weight: 3,5 kg                  Dimensions (WxHxD): 799x185x109 mm</p>	
Description	Material		Article number
SteelTec paper holder for diaper changing table	White-painted aluminium		<b>CONT13200710655</b>

Sanitary equipment



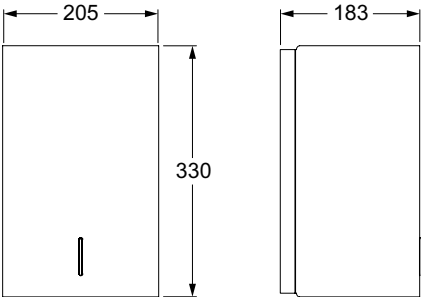

## SteelTec paper holder for diaper changing table, double-sided closure

		<p><b>SteelTec paper holder for diaper changing table</b></p> <p>Toilet paper holder made of stainless steel. Fits most types of paper rolls. With closure at both ends.</p> <ul style="list-style-type: none"> <li>• For wall mounting</li> <li>• Fits to several kinds of paper rolls</li> <li>• Locks at both ends and thus well suited for corner installation</li> <li>• With lock for effective protection against vandalism</li> <li>• Spyhole to check the paper level</li> <li>• Integrated gas spring enables easy one-handed paper refill</li> <li>• Additionally available in all RAL Classic colours</li> <li>• Can be combined with diaper changing table</li> </ul> <p>Weight: 4 kg Dimensions (WxHxD): 585x233x142 mm</p>	
Description	Version	Material	Article number
SteelTec toilet paper holder for diaper changing table	Double-sided closure	Stainless steel	<b>CONT13200710656</b>

## SteelTec paper roll with sleeve for paper roll holder


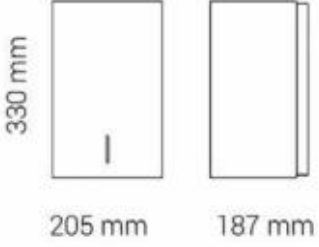
	<p><b>SteelTec paper roll with sleeve for paper roll holder</b></p> <p>Paper roll with sleeve for paper roll holder. Paper rolls that can be torn off in matching sheets for the winding surface of the wall-mounted diaper changing table. The paper is torn off with only one hand, so that one hand is always free for the child.</p> <ul style="list-style-type: none"> <li>• A practical, hygienic solution to ensure a clean changing surface</li> <li>• Optimum hygiene for nappy change</li> <li>• Suitable for paper roll holder for diaper changing table</li> </ul> <p>Weight: 2,7 kg Dimensions (length x Ø): 700x100 mm (50 sheets) 700x100 mm (105 sheets) 500x100 mm (100 sheets) Colour: White Weight per m<sup>2</sup>: 60 g / 41 / 40 / m<sup>2</sup> Packaging unit: 2 rolls</p> <p>* Suitable for SteelTec paper holder CONT13200710656 ** Suitable for SteelTec paper holder CONT13200710655</p>		
Description	Pcs. per roll/weight per m <sup>2</sup>	Packaging unit	Article number
Paper roll with sleeve for paper roll holder	50 sheets/60 g per m <sup>2</sup>	2 rolls per PU	<b>CONT41000000667 **</b>
	105 sheets/41 g per m <sup>2</sup>	2 rolls per PU	<b>CONT41000000657 **</b>
	100 sheets/40 g per m <sup>2</sup>	2 rolls per PU	<b>CONT41000000668 *</b>

## BJÖRK hand dryer, touchless


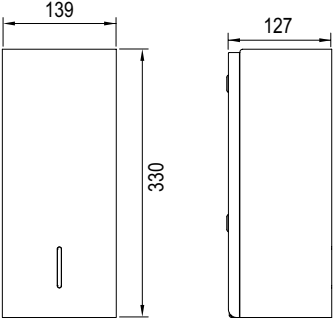

  		<p><b>BJÖRK hand dryer, touchless</b></p> <p>Touchless hand dryer with powder coated stainless steel housing in Black matt, White or RAL Classic colours. Designed with cover plate, IR sensor and electronic timer.</p> <ul style="list-style-type: none"> <li>• For wall mounting</li> <li>• Drying cycle: approx. 10-15 s</li> <li>• Powerful commutator motor</li> <li>• LED light for power indicator</li> <li>• Adjustable sensor range</li> <li>• Adjustable air speed</li> <li>• Available in all RAL Classic colours</li> <li>• Top plate in 6 optional standard colours</li> </ul> <p>Weight: 6,5 kg  Dimensions (WxHxD): 205x330x183 mm  Nominal capacity: 1600 W  Noise level: 76 dBA  Outlet temperature (max.): 60 °C  Protection class: IPX1</p> <p>Suitable table and floor stands starting on page 386.</p> <p><b>*Note:</b>  Colour Black matt: Gloss level 10  Colour White: Gloss level 60  RAL Classic: Degree of gloss to be indicated</p> <p><b>Note:</b>  Products in Black matt or White are each designed with a black or white top plate as standard, unless otherwise specified.</p> <p>Top plate in 6 optional standard designs:  Negro Ingo  Bianco Male  Birke  Eastwood Lava  Beton Natur  Schiefer</p> <p>Colour has to be specified with your order!</p> 	
Description	Version	Colour	Article number
BJÖRK hand dryer	With IR sensor	Black matt*	<b>CONT21600813006</b>
	With IR sensor	White*	<b>CONT21500813000</b>
	With IR sensor	RAL Classic*	<b>CONT21900813002</b>



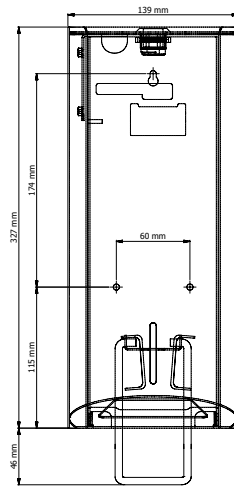
## BJÖRK Paper dispenser for paper rolls with inside unwinding, manual

		<p><b>BJÖRK Paper dispenser for paper rolls with inside unwinding, manual</b></p> <p>Paper dispenser for paper rolls with inside unwinding. Powder coated stainless steel housing in Black matt, White or RAL Classic colours. Designed with cover plate.</p> <ul style="list-style-type: none"> <li>• For wall mounting</li> <li>• Large capacity</li> <li>• One-handed operation</li> <li>• Easy replacement of the paper roll</li> <li>• Locking key included</li> <li>• Available in all RAL Classic colours</li> </ul> <p>Net weight: 3,7 kg (without paper roll)</p> <p>Dimensions (WxHxD): 205x330x187 mm</p> <p>Paper roll ØxH (max.): 150x225 mm</p> <p>Scope of delivery without paper roll.</p> <p><b>*Note:</b>          Colour Black matt: Gloss level 10          Colour White: Gloss level 60          RAL Classic: Degree of gloss to be indicated</p> <p><b>Note:</b>          Products in Black matt or White are each designed with a black or white top plate as standard, unless otherwise specified.</p> <p>Top plate in 6 optional standard designs:          Negro Ingo          Bianco Male          Birke          Eastwood Lava          Beton Natur          Schiefer</p> <p>Colour has to be specified with your order!</p> 
Description	Colour	Article number
BJÖRK Paper dispenser for paper rolls with inside unwinding	Black matt*	<b>CONT16670013275</b>
	White*	<b>CONT16570013270</b>
	RAL Classic*	<b>CONT16970013280</b>

## BJÖRK dispenser for soap | disinfectant, touchless

	 <p><b>Note:</b> Please fill only ready to use disinfection dilution e.g. CONTI+ oXan clean into the dispenser; in case the dilution could be mix within the tank of the dispenser made of e.g. CONTI+ oXan clean concentrate and distilled water.</p>	<p><b>BJÖRK dispenser, touchless</b></p> <p>Touchless soap dispenser for liquid soap and disinfectant with powder coated stainless steel housing in Black matt, White or RAL Classic colours. Designed with cover plate and IR sensor.</p> <ul style="list-style-type: none"> <li>• For wall mounting</li> <li>• Capacity: approx. 0,9 l</li> <li>• Battery-operated (Batteries not in scope of delivery). Power supply possible.</li> <li>• LED light for power indicator</li> <li>• Automatic setting of the optimum activation range</li> <li>• Locking key included</li> <li>• Available in all RAL Classic colours</li> <li>• Top plate in 6 optional standard colours</li> </ul> <p>Weight: 2,3 kg  Dimensions (WxHxD): 139x330x127 mm  Opened (WxHxD): 139x330x330 mm  Content: 950 ml</p> <p>Suitable table and floor stands starting on page 386.</p> <p><b>*Note:</b>  Colour Black matt: Gloss level 10  Colour White: Gloss level 60  RAL Classic: Degree of gloss to be indicated</p> <p><b>Note:</b>  Products in Black matt or White are each designed with a black or white top plate as standard, unless otherwise specified.</p> <p>Top plate in 6 optional standard designs:  Negro Ingo  Bianco Male  Birke  Eastwood Lava  Beton Natur  Schiefer</p> <p>Colour has to be specified with your order!</p> 	
Description	Version	Colour	Article number
BJÖRK Dispenser	with IR sensor	Black matt*	<b>CONT17600813056</b>
	with IR sensor	White*	<b>CONT17500813050</b>
	with IR sensor	RAL Classic*	<b>CONT17900813052</b>

# BJÖRK Dispenser for liquid soap/foam soap or disinfectant, manual



**Note:** Please fill only ready to use disinfection dilution e.g. CONTI+ oXan clean into the dispenser; in case the dilution could be mix within the tank of the dispenser made of e.g. CONTI+ oXan clean concentrate and distilled water.

## BJÖRK Dispenser, manual

Manual dispenser for liquid soap/foam soap or disinfectant. Powder coated stainless steel housing in Black matt, White or RAL Classic colours. Designed with cover plate.

- For wall mounting
- Capacity: approx. 1,2 l (= 1000-1200 dosages)
- Locking key included
- Available in all RAL Classic colours
- Top plate in 6 optional standard colours

Net weight: 2,4 kg  
 Dimensions (WxHxD): 128x373x139 mm  
 Opened (WxHxD): 128x373x330 mm  
 Content: 1200 ml

**\*Note:**  
 Colour Black matt: Gloss level 10  
 Colour White: Gloss level 60  
 RAL Classic: Degree of gloss to be indicated

**Note:**  
 Products in Black matt or White are each designed with a black or white top plate as standard, unless otherwise specified.

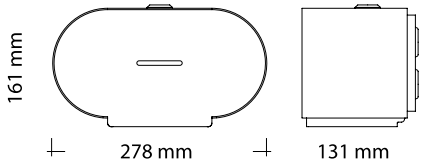
Top plate in 6 optional standard designs:  
 Negro Ingo  
 Bianco Male  
 Birke  
 Eastwood Lava  
 Beton Natur  
 Schiefer

Colour has to be specified with your order!



Description	Colour	Article number
BJÖRK dispenser for liquid soap	Black matt*	<b>CONT17670013125</b>
	White*	<b>CONT17570013120</b>
	RAL Classic*	<b>CONT17970013130</b>
BJÖRK dispenser for foam soap	Black matt*	<b>CONT17670013165</b>
	White*	<b>CONT17570013160</b>
	RAL Classic*	<b>CONT17970013170</b>
BJÖRK dispenser for disinfectant	Black matt*	<b>CONT17670013145</b>
	White*	<b>CONT17570013140</b>
	RAL Classic*	<b>CONT17970013150</b>

## BJÖRK toilet paper holder


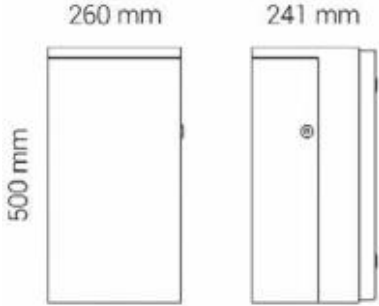
		<p><b>BJÖRK toilet paper holder, for 2 standard size paper rolls</b></p> <p>Toilet paper holder made of powder coated stainless steel housing in Black matt, White or RAL Classic colours.</p> <ul style="list-style-type: none"> <li>• For wall mounting</li> <li>• Locking key included</li> <li>• Available in all RAL Classic colours</li> </ul> <p>Net weight: 3 kg  Dimensions (WxHxD): 278x161x131 mm  Filling capacity: 2 Standard size paper rolls</p> <p>Scope of delivery without paper rolls.</p> <p><b>*Note:</b>  Colour Black matt: Gloss level 10  Colour White: Gloss level 60  RAL Classic: Degree of gloss to be indicated</p>	
Description	Version	Colour	Article number
BJÖRK toilet paper holder	For 2 standard size paper rolls	Black matt*	<b>CONT13600713375</b>
		White*	<b>CONT13500713370</b>
		RAL Classic*	<b>CONT13900713380</b>

		<p><b>BJÖRK toilet paper holder, for 1 jumbo and 1 standard size paper roll</b></p> <p>Toilet paper holder made of powder coated stainless steel housing in Black matt, White or RAL Classic colours.</p> <ul style="list-style-type: none"> <li>• For wall mounting</li> <li>• Locking key included</li> <li>• Available in all RAL Classic colours</li> </ul> <p>Net weight: 8 kg  Dimensions (WxHxD): 455x470x172 mm  Filling capacity: 1 Jumbo and 1 Standard size paper rolls</p> <p>Scope of delivery without paper rolls.</p> <p><b>*Note:</b>  Colour Black matt: Gloss level 10  Colour White: Gloss level 60  RAL Classic: Degree of gloss to be indicated</p>	
Description	Version	Colour	Article number
BJÖRK toilet paper holder	For 1 jumbo and 1 standard size paper roll	Black matt*	<b>CONT13600713355</b>
		White*	<b>CONT13500713350</b>
		RAL Classic*	<b>CONT13900713360</b>

## BJÖRK Hygiene box 12l

		<p><b>BJÖRK Hygiene box 12l</b></p> <p>Hygiene box with powder coated stainless steel housing in Black matt, White or RAL Classic colours.</p> <ul style="list-style-type: none"> <li>• For wall mounting</li> <li>• Capacity: 12 l</li> <li>• With hinged lid</li> <li>• Inner, spring-loaded bag holder</li> <li>• Hygienic and easy replacement of the garbage bag</li> <li>• Available in all RAL Classic colours</li> </ul> <p>Net weight: 6,2 kg Dimensions (WxHxD): 330x400x134 mm</p> <p><b>*Note:</b> Colour Black matt: Gloss level 10 Colour White: Gloss level 60 RAL Classic: Degree of gloss to be indicated</p>
Description	Colour	Article number
BJÖRK Hygiene box 12l	Black matt*	<b>CONT18670013305</b>
	White*	<b>CONT18570013300</b>
	RAL Classic*	<b>CONT18970013310</b>

## BJÖRK Waste bin 18l

		<p><b>BJÖRK Waste bin 18l</b></p> <p>Spacious waste bin with powder coated stainless steel housing in Black matt, White or RAL Classic colours.</p> <ul style="list-style-type: none"> <li>• For wall mounting</li> <li>• Capacity: 18 l</li> <li>• Door with side arrangement</li> <li>• Easy replacement of the bin liner</li> <li>• Locking key included</li> <li>• Available in all RAL Classic colours</li> </ul> <p>Net weight: 7,8 kg Dimensions (WxHxD): 260x500x241 mm</p> <p><b>*Note:</b> Colour Black matt: Gloss level 10 Colour White: Gloss level 60 RAL Classic: Degree of gloss to be indicated</p>
Description	Colour	Article number
BJÖRK Waste bin 18l	Black matt*	<b>CONT18670013325</b>
	White*	<b>CONT18570013320</b>
	RAL Classic*	<b>CONT18970013330</b>

## BJÖRK diaper changing table

### BJÖRK diaper changing table

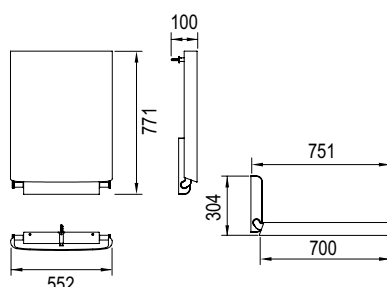
Wall-mounted diaper changing table.  
Lacquered aluminium profile in Black matt, White or RAL Classic colours.  
Wall bracket: lacquered steel plate.  
Swivel: electro-galvanized steel.

- For wall mounting
- Strong materials with rounded edges for optimal safety
- Ideal for toilets with limited wall space
- Easy opening and closing motion
- Available in all RAL Classic colours
- Without fastening material

Weight: 17 kg  
Dimensions (WxHxD): 552x771x100 mm  
Opened (HxD): 304x751 mm  
Winding surface (WxD): 700x510 mm  
Load capacity (max.): 80 kg  
Norms: EN 12221-1:2008 + A1:2013

To combine with:  
CONT13600713255, CONT13500713250,  
CONT13900713260 BJÖRK paper towel dispenser\*\*

**\*Note:**  
Colour Black matt: Gloss level 10  
Colour White: Gloss level 60  
RAL Classic: Degree of gloss to be indicated




\*\* Example: combination  
BJÖRK diaper changing table  
BJÖRK paper towel dispenser




Description	Colour	Article number
BJÖRK diaper changing table	Black matt*	CONT25678713205
	White*	CONT25578713200
	RAL Classic*	CONT25978713210

## BJÖRK paper towel dispenser

	<p>BJÖRK paper towel dispenser for BJÖRK diaper changing table</p> <p>Paper towel dispenser for BJÖRK diaper changing table made of powder coated stainless steel in Black matt, White or RAL Classic colours.</p> <ul style="list-style-type: none"> <li>• For wall mounting</li> <li>• With safety interlock</li> <li>• Locking key included</li> <li>• Available in all RAL Classic colours</li> </ul> <p>Weight: 2,5 kg Dimensions (WxHxD): 410x221x79 mm</p> <p>To combine with: CONT25678713205, CONT25578713200, CONT25978713210 BJÖRK diaper changing table</p> <p><b>*Note:</b> Colour Black matt: Gloss level 10 Colour White: Gloss level 60 RAL Classic: Degree of gloss to be indicated</p>	<p>BJÖRK paper towel dispenser for BJÖRK diaper changing table</p> <p>Paper towel dispenser for BJÖRK diaper changing table made of powder coated stainless steel in Black matt, White or RAL Classic colours.</p> <ul style="list-style-type: none"> <li>• For wall mounting</li> <li>• With safety interlock</li> <li>• Locking key included</li> <li>• Available in all RAL Classic colours</li> </ul> <p>Weight: 2,5 kg Dimensions (WxHxD): 410x221x79 mm</p> <p>To combine with: CONT25678713205, CONT25578713200, CONT25978713210 BJÖRK diaper changing table</p> <p><b>*Note:</b> Colour Black matt: Gloss level 10 Colour White: Gloss level 60 RAL Classic: Degree of gloss to be indicated</p>
Description	Colour	Article number
<p>BJÖRK Paper towel dispenser for BJÖRK diaper changing table</p>	<p>Black matt*</p>	<p><b>CONT13600713255</b></p>
	<p>White*</p>	<p><b>CONT13500713250</b></p>
	<p>RAL Classic*</p>	<p><b>CONT13900713260</b></p>

## Paper changing mats for BJÖRK paper dispenser for BJÖRK diaper changing table

	<p>Paper changing mats for BJÖRK paper dispenser</p> <p>Single 3-layer paper tissues, which can be pulled from the W-fold bundle as individual paper napkins from the dispenser, offering an inexpensive, hygienic solution.</p> <ul style="list-style-type: none"> <li>• Practical and hygienic solution for a clean wrapping surface</li> <li>• Extra comfort and hygiene during diaper changing</li> <li>• Suitable for the BJÖRK paper dispenser</li> </ul> <p>Packaging unit: 30 sheets per bundle, box with 9 bundles Net weight: 1 kg</p>		
Description	Dimensions	Packaging unit	Article number
<p>Paper changing mats for BJÖRK paper dispenser/diaper changing table</p>	<p>Single paper tissues 203x340 mm</p>	<p>9 bundles/Box</p>	<p><b>CONT41000003265</b></p>

## Floor stand for disinfectant dispensers, with drip tray, height 155 cm

<p><b>NEW</b></p>  <p><b>Note:</b> Suitable for BJÖRK, SteelTec touchless disinfectant dispensers, also for dispenser SC-7501/SC-7511 and dispenser HK IRSP</p>		<p>Floor stand for touchless disinfectant dispenser</p> <p>Mobile floor stand for mounting disinfectant dispensers for installation in high-frequented locations and entrances in Black matt, White or RAL Classic colours.</p> <ul style="list-style-type: none"> <li>• Made of steel and aluminium</li> <li>• With integrated drip tray</li> <li>• For fixing touchless disinfectant dispensers</li> <li>• Available in all RAL Classic colours</li> </ul> <p>Weight: 8 kg Dimensions (WxHxD): 260x1550x260 mm</p> <p><b>*Note:</b> Colour Black matt: Gloss level 10 Colour White: Gloss level 60 RAL Classic: Degree of gloss to be indicated</p>
Description	Colour	Article number
Floor stand for touchless disinfectant dispenser	Black matt*	<b>CONT43600073181</b>
	White*	<b>CONT43500073180</b>
	RAL Classic*	<b>CONT43900073182</b>



Table stand for disinfectant dispensers, with drip tray, height 65 cm hoch

**NEW**



**Note:** Suitable for BJÖRK, SteelTec touchless disinfectant dispensers, also for dispenser SC-7501/SC-7511 and dispenser HK IRSP

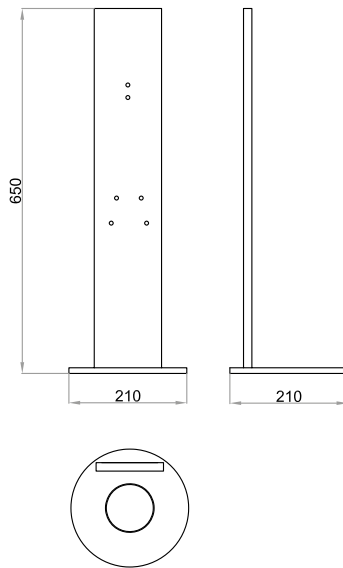


Table stand for touchless disinfectant dispenser

Mobile table stand for mounting disinfectant dispensers for installation in high-frequented locations and entrances in Black matt, White or RAL Classic colours.

- Made of steel and aluminium
- With integrated drip tray
- For fixing touchless disinfectant dispensers
- Available in all RAL Classic colours


Weight: 4 kg  
Dimensions (WxHxD): 210x650x210 mm

**\*Note:**  
Colour Black matt: Gloss level 10  
Colour White: Gloss level 60  
RAL Classic: Degree of gloss to be indicated



Description	Colour	Article number
Table stand for touchless disinfectant dispenser	Black matt*	<b>CONT43600083176</b>
	White*	<b>CONT43500083175</b>
	RAL Classic*	<b>CONT43900083177</b>

Sanitary equipment



## Drip tray for wall-mounted disinfectant dispenser

	<p>328 mm</p> <p>107 100</p>	<p>Drip tray for wall-mounted disinfectant dispenser</p> <ul style="list-style-type: none"> <li>• For wall mounting</li> <li>• Made of powder-coated steel in Black matt, White or all RAL Classic colours</li> <li>• To prevent splashes and slippery floor</li> </ul> <p>Weight: 0,3 kg Dimensions (BxHxT): 100x328x107 mm</p> <p><b>Note:</b> Suitable for BJÖRK, SteelTec disinfectant dispensers</p> <p><b>*Note:</b> Colour Black matt: Gloss level 10 Colour White: Gloss level 60 RAL Classic: Degree of gloss to be indicated</p>
Description	Colour	Article number
Drip tray for wall-mounted disinfectant dispenser	Black matt*	<b>CONT44600053172</b>
	White*	<b>CONT44500053171</b>
	RAL Classic*	<b>CONT44900053173</b>



Transformer 230 V – 6 V/DC (plug) for soap and disinfection dispenser SteelTec, BJÖRK

 	<p>Transformer 230V – 6V/DC as wall power supply for soap and disinfection dispenser SteelTec, BJÖRK</p> <p>Cable length: 1800 mm Colour: Black</p>	
	Description	Article number
Transformer 230 V – 6 V/DC (plug) for soap and disinfection dispenser SteelTec, BJÖRK		<b>CONO010888</b>

Transformer 230 V – 6 V/DC concealed for dispenser systems SteelTec, BJÖRK


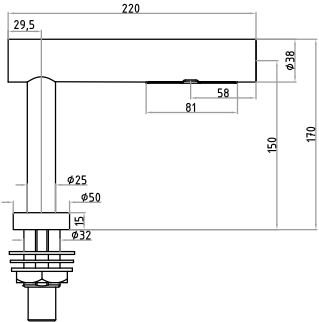
 	<p>Transformer 230V – 6V/DC as concealed power supply for soap and disinfection dispenser SteelTec, BJÖRK</p> <p>Cable length: 1800 mm Colour: Black</p> <p>Wall box included in scope of delivery.</p>	
	Description	Article number
Transformer 230 V – 6 V/DC concealed for soap and disinfection dispenser SteelTec, BJÖRK		<b>CONO110888</b>


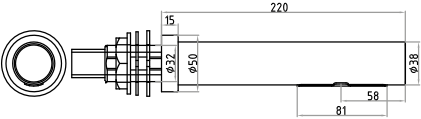
Transformer 230 V – 6 V/DC (plug) with transition to monobloc battery connectors

 	<p>Transformer 230 V – 6 V/DC (plug) with transition to monobloc battery connectors as wall power supply for soap and disinfection dispenser</p> <p>Upgrade set for battery operated dispenser to main supply.</p> <p>Cable length: 700 mm Colour: Black</p>	
	Description	Article number
Transformer 230 V – 6 V/DC (plug) with transition to monobloc battery connectors		<b>CONO120888</b>

Sanitary equipment


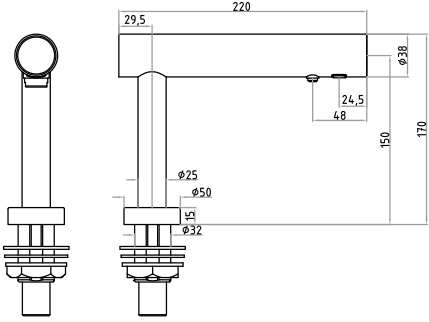
## Hand dryer AirTap


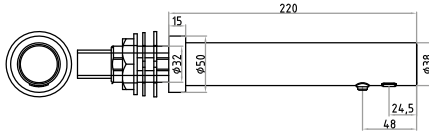
		<p><b>Hand dryer AirTap, basin installation</b> Touchless hand dryer for basin installation.</p> <ul style="list-style-type: none"> <li>• Intelligent temperature control and automatic adjustment</li> <li>• Powerful commutator motor with carbon brushes for rear mounting</li> <li>• IR sensor and electronic timer</li> <li>• Adjustable activation distance: 20-130 mm</li> <li>• Safety shut-down after 60 s continuous operation</li> <li>• Casing: stainless steel, satin finish</li> </ul> <p>Weight: 5,6 kg  Dimensions (ØxHxD): 50x170x220 mm  Operating voltage: 230 V  Nominal capacity: 1000 W  Outlet temperature (max.): 57 °C  Drying time: 10-15 s  Noise level: 68,5-70,5 dB  Protection class: IP35</p>	
Description	Version	Material / Colour	Article number
Hand dryer AirTap	Basin installation	Stainless steel	<b>CONT21206830370</b>

		<p><b>Hand dryer AirTap, wall mounting</b> Touchless hand dryer for wall mounting.</p> <ul style="list-style-type: none"> <li>• For mounting behind a panel or mirror</li> <li>• Intelligent temperature control and automatic adjustment</li> <li>• Powerful commutator motor with carbon brushes for rear mounting</li> <li>• IR sensor and electronic timer</li> <li>• Adjustable activation distance: 20-130 mm</li> <li>• Safety shut-down after 60 s continuous operation</li> <li>• Casing: stainless steel, satin finish</li> </ul> <p>Weight: 5,6 kg  Dimensions (ØxHxD): 38x50x220 mm  Operating voltage: 230 V  Nominal capacity: 1000 W  Outlet temperature (max.): 57 °C  Drying time: 10-15 s  Noise level: 68,5-70,5 dB  Protection class: IP35</p>	
Description	Version	Material / Colour	Article number
Hand dryer AirTap	Wall mounting	Stainless steel	<b>CONT21206840372</b>

Sanitary equipment


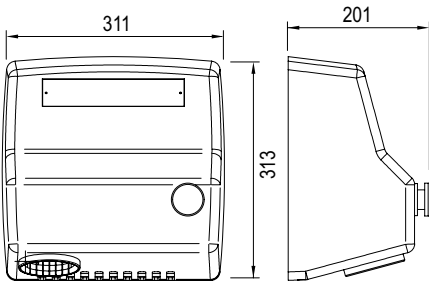
## Dispenser SoapTap


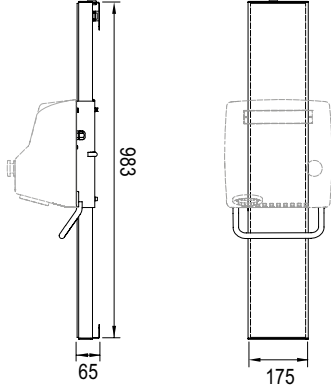
	 <p><b>Note:</b> Please fill only ready to use disinfection dilution e.g. CONTI+ oXan clean into the dispenser; in case the dilution could be mix within the tank of the dispenser made of e.g. CONTI+ oXan clean concentrate and distilled water.</p>	<p>Dispenser SoapTap for liquid soap/foam soap or disinfectant, basin installation</p> <p>Touchless soap dispenser for liquid soap/foam soap or disinfectant for basin installation.</p> <ul style="list-style-type: none"> <li>• Liquid container and pumping unit for mounting under the table</li> <li>• IR sensor and electronic timer</li> <li>• Adjustable activation distance: 20-150 mm</li> <li>• Casing: stainless steel, satin finish</li> </ul> <p>Weight: 1,25 kg  Dimensions (ØxHxD): 50x170x220 mm  Capacity: 15 dl  Dosage: 1000-1500 d  Operating voltage: 230 V  Protection class: IP35</p>	
Description	Version	Material / Colour	Article number
Soap dispenser SoapTap, basin installation	Liquid soap/ Disinfectant	Stainless steel	<b>CONT17206830376</b>
	Foam soap	Stainless steel	<b>CONT17206830380</b>

	 <p><b>Note:</b> Please fill only ready to use disinfection dilution e.g. CONTI+ oXan clean into the dispenser; in case the dilution could be mix within the tank of the dispenser made of e.g. CONTI+ oXan clean concentrate and distilled water.</p>	<p>Dispenser SoapTap for liquid soap/foam soap or disinfectant, wall mounting</p> <p>Touchless soap dispenser for liquid soap/foam soap or disinfectant for wall mounting.</p> <ul style="list-style-type: none"> <li>• For mounting behind a panel or mirror</li> <li>• Liquid container and pumping unit for mounting under the table</li> <li>• IR sensor and electronic timer</li> <li>• Adjustable activation distance: 20–150 mm</li> <li>• Casing: stainless steel, satin finish</li> </ul> <p>Weight: 1,25 kg  Dimensions (HxØxD): 50x38x220 mm  Capacity: 15 dl  Dosage: 1000–1500 d  Operating voltage: 230 V  Protection class: IP35</p>	
Description	Version	Material / Colour	Article number
Soap dispenser SoapTap, wall mounting	Liquid soap/ Disinfectant	Stainless steel	<b>CONT17206840378</b>
	Foam soap	Stainless steel	<b>CONT17206840382</b>

Sanitary equipment


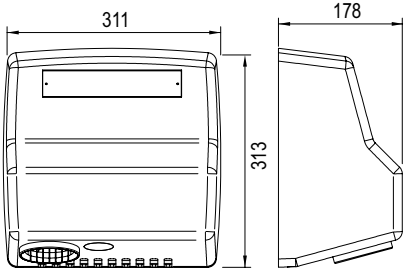
## Hand and hair dryer

			<p><b>Hand and hair dryer</b></p> <p>White hand and hair dryer with 4 mm die-cast aluminium housing, with push button and infinitely adjustable electronic timer for drying cycle.</p> <ul style="list-style-type: none"> <li>• For wall mounting</li> <li>• With push button activation</li> <li>• Drying time approx. 25-170 sec.</li> <li>• Standard version: white</li> <li>• Additionally available in all RAL Classic colours</li> <li>• Almost maintenance-free</li> <li>• With induction motor</li> </ul> <p>Weight: 7,45 kg                  Dimensions (WxHxD): 311x313x201 mm                  Nominal capacity: 2360 W                  Noise level: 62 dBA                  Outlet temperature (max.): 65 °C                  Protection class: IP23                  Material: 4 mm die-cast aluminium, white</p> <p>To combine with:                  CONT26000710645 Height adjustment rail</p>
Description	Version	Colour	Article number
Hand and hair dryer	Manual	White	<b>CONT26500710100</b>

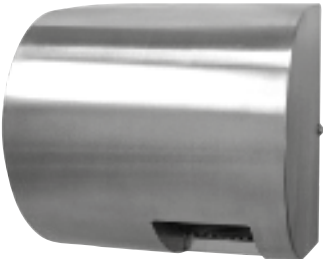
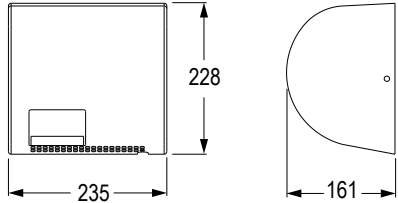
			<p><b>Height adjustment rail for hair dryer</b></p> <p>Height adjustment rail for electrical hair dryer.</p> <ul style="list-style-type: none"> <li>• Infinitely adjustment range up to 500 mm</li> <li>• Sturdy rail fitted with strong gas springs</li> </ul> <p>Weight: 6,25 kg                  Dimensions (WxHxD): 175x983x65 mm                  Execution: Up to 500 mm                  Material: Aluminum / stainless steel</p> <p>To combine with:                  CONT26500710100 hand and hair dryer (not in scope of delivery)</p> <p><b>Optional:</b>                  With mirror over entire rail</p>
Description	Version	Material	Article number
Height adjustment rail for hair dryer	Stepless height adjustment	Aluminum/ Stainless steel	<b>CONT26000710645</b>

Sanitary equipment


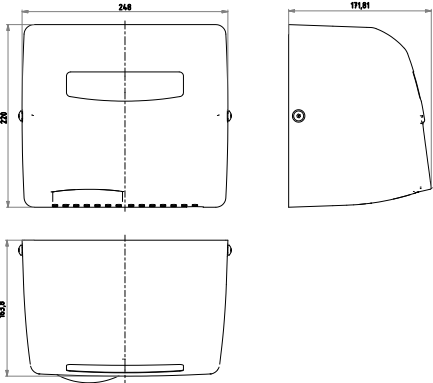
## Hand dryer AE

		<p><b>Hand dryer AE</b></p> <p>White hand dryer with housing made of 4 mm die-cast aluminium, touchless with IR sensor and electronic timer.</p> <ul style="list-style-type: none"> <li>• For wall mounting</li> <li>• Drying time approx. 25-170 sec.</li> <li>• Standard version: white</li> <li>• Additionally available in all RAL Classic colours</li> <li>• Almost maintenance-free</li> <li>• With induction motor</li> <li>• 90% recyclable</li> </ul> <p>Weight: 7,25 kg                  Dimensions (WxHxD): 311x313x178 mm                  Nominal capacity: 2360 W                  Noise level: 62 dBA                  Outlet temperature (max.): 65 °C                  Protection class: IP23</p>	
Description	Version	Colour	Article number
Hand dryer AE	IR sensor	White	<b>CONT21500810261</b>


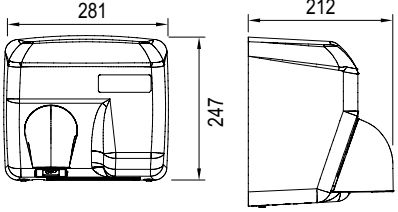
## Hand dryer

		<p><b>Hand dryer</b></p> <ul style="list-style-type: none"> <li>• Touchless function</li> <li>• Low noise induction motor (maintenance-free), soft starting</li> <li>• Sturdy metal housing</li> <li>• Overheat auto-stop for heater and motor</li> <li>• Safety switch-off after 2 min. continuous operation</li> <li>• Water-proof microprocessor</li> </ul> <p>Mains operation plug-in: 230V, 2300W                  Dimensions (WxHxD): 235x228x161 mm</p>	
Description	Material	Article number	
Hand dryer with IR sensor	Stainless steel matt	<b>CONT21200810000</b>	

## Hand dryer MINI

		<p><b>MINI Hand dryer</b></p> <p>Touchless hand dryer with white housing made of 2 mm die-cast aluminium.</p> <ul style="list-style-type: none"> <li>• For wall mounting</li> <li>• Housing: die-cast aluminium</li> <li>• Drying time approx. 30 s</li> <li>• IR sensor and electronic timer</li> <li>• Stops 2 s after removal of hands or 60 s after continuous operation</li> <li>• Commutator motor without carbon</li> </ul> <p>Weight: 5,4 kg                  Dimensions (WxHxD): 248x220x170 mm                  Nominal capacity: 1800 W                  Operating voltage: 230 V                  Noise level: 64 dBA                  Outlet temperature (max.): 55 °C                  Protection class: IP21</p>	
Description	Version	Colour	Article number
Hand dryer MINI	IR sensor	White, RAL 9003 glossy 75	<b>CONT21500810270</b>

## Hand dryer MAXI


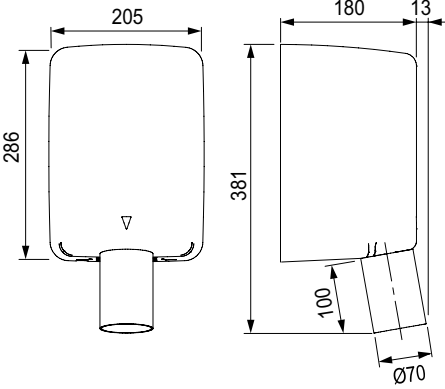
		<p><b>MAXI Hand dryer</b></p> <p>Hand dryer with housing made of 2 mm steel plate. With fixed-mounted, bright chrome exhaust vent made of zinc. Touchless with IR sensor and electronic timer.</p> <ul style="list-style-type: none"> <li>• For wall mounting</li> <li>• Drying time of approx. 20-25 sec.</li> <li>• Powerful commutator motor</li> <li>• Very hygienic</li> <li>• Maintenance-friendly</li> <li>• Strong and shock-proof housing preventing vandalism</li> <li>• Exhaust vent</li> </ul> <p>Weight: 7 kg                  Dimensions (WxHxD): 281x247x212 mm                  Nominal capacity: 2400 W                  Noise level: 70 dBA                  Outlet temperature (max.): 65 °C                  Protection class: IP21</p>	
Description	Version	Colour	Article number
Hand dryer MAXI	With IR sensor	White	<b>CONT21500810272</b>
	With IR sensor	Chromed	<b>CONT21300810274</b>




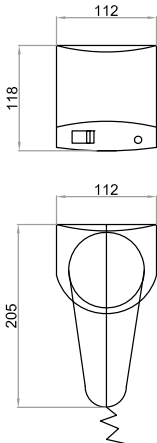
## Hand dryer TURBO Low Noise

			<p><b>TURBO Hand dryer Low Noise</b></p> <p>Touchless hand dryer with stainless steel housing, in brushed stainless steel or white enamelled. Designed with IR sensor and electronic timer.</p> <ul style="list-style-type: none"> <li>• For wall mounting</li> <li>• Drying time of approx. 10-15 sec.</li> <li>• Adjustable activation distance: 150-190 mm</li> <li>• Adjustable air speed: 65-95 m/s</li> <li>• Powerful commutator motor with carbon brushes</li> <li>• Very hygienic</li> <li>• Maintenance-friendly</li> </ul> <p>Weight: 5,5 kg                  Dimensions (WxHxD): 205x287x180 mm                  Nominal capacity: 700–1400 W                  Noise level: 62,8 – 68,2 dBA                  Outlet temperature (max.): 55 °C                  Protection class: IP31</p>
Description	Version	Colour	Article number
TURBO Hand dryer Low Noise	With IR sensor	White	<b>CONT21500810246</b>
	With IR sensor	Brushed stainless steel	<b>CONT21200810247</b>


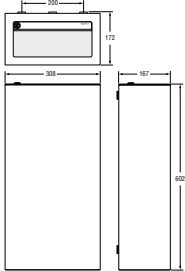

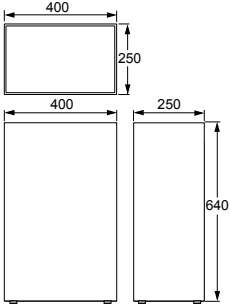

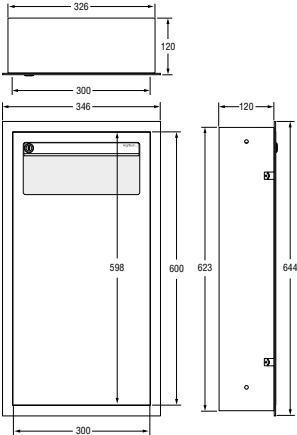
## Hand dryer TURBO

			<p><b>TURBO Hand dryer, for mounting behind mirrors or cabinets</b></p> <p>Touchless hand dryer for mounting behind mirror/cabinet. Brushed stainless steel housing. Designed with IR sensor and electronic timer.</p> <ul style="list-style-type: none"> <li>• Drying cycle: approx. 10-15 sec.</li> <li>• Cabinet and nozzle made of brushed stainless steel</li> <li>• Powerful commutator motor</li> </ul> <p>Weight: 5,8 kg                  Dimensions (WxHxD): 205x286x180 mm                  Nozzle (L): 100 mm                  Diameter (ø): 70 mm                  Nominal capacity: 1600 W                  Noise level: 78 dBA                  Outlet temperature (max.): 60 °C                  Protection class: IPX1</p>
Description	Version	Colour	Article number
Hand dryer TURBO	With IR sensor	Stainless steel matt	<b>CONT21200850244</b>


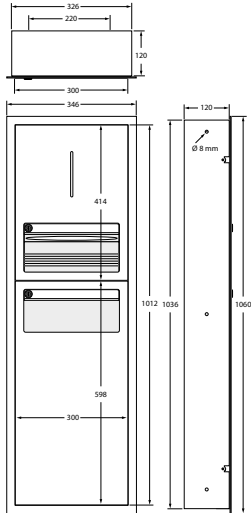
## Hair dryer ELEGANCE

		<p><b>ELEGANCE Hair dryer</b></p> <p>Double insulated hair dryer made of impact-resistant white plastic.</p> <ul style="list-style-type: none"> <li>• For wall mounting</li> <li>• Robust hair dryer with strong warm-air-hose</li> <li>• Manual adjustment of air volume between two levels: 1200 W max.</li> </ul> <p>Weight: 1 kg  Dimensions (WxHxD): 112x118x207 mm</p>
<p>Description</p>	<p>Material / Colour</p>	<p>Article number</p>
<p>Hair dryer ELEGANCE</p>	<p>Plastic/White</p>	<p><b>CONT26500710713</b></p>


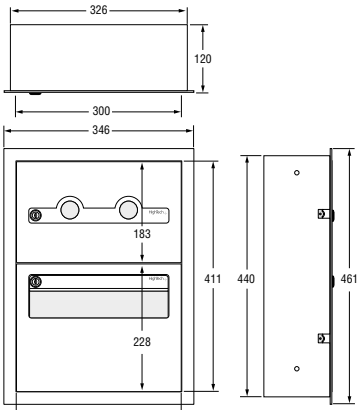
## Waste bins

		<p>Waste bin</p> <ul style="list-style-type: none"> <li>• For wall mounting</li> <li>• With 3 pre-drilled holes</li> <li>• Lockable from above</li> </ul> <p>Dimensions (WxHxD): 308x602x167 mm</p>	
<p>Description</p>	<p>Material / Colour</p>		<p>Article number</p>
<p>Waste bin</p>	<p>Stainless steel matt</p>		<p><b>CONT18200010602</b></p>
		<p>Waste bin</p> <ul style="list-style-type: none"> <li>• With 4 rubber feet</li> <li>• Floor standing</li> </ul> <p>Dimensions (WxHxD): 400x640x250 mm</p>	
<p>Description</p>	<p>Mounting</p>	<p>Material / Colour</p>	<p>Article number</p>
<p>Waste bin</p>	<p>Floorstanding</p>	<p>Stainless steel matt</p>	<p><b>CONT18200060640</b></p>
		<p>Waste bin</p> <ul style="list-style-type: none"> <li>• For recessed wall mounting</li> <li>• With mounting frame</li> <li>• Lockable from the front</li> </ul> <p>Width: 346 mm                      Mounting depth (min.): 120 mm                      Height: 644 mm                      Front panel: 3 mm stainless steel</p>	
<p>Description</p>	<p>Mounting</p>	<p>Material / Colour</p>	<p>Article number</p>
<p>Waste bin</p>	<p>For recessed wall mounting</p>	<p>Stainless steel matt</p>	<p><b>CONT18200040644</b></p>

## Paper towel dispenser and waste bin combination


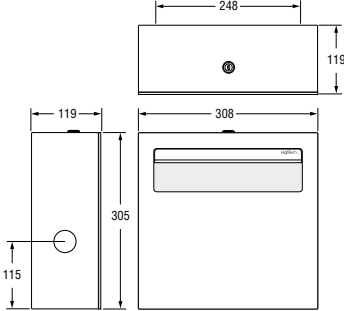
		<p>Concealed washroom combination with paper towel dispenser and waste bin</p> <ul style="list-style-type: none"> <li>• For wall mounting</li> <li>• Consisting of paper towel dispenser and waste bin</li> <li>• With mounting frame</li> <li>• Lockable from the front</li> </ul> <p>Width: 346 mm          Mounting depth (min.): 120 mm          Height: 1060 mm          Front plate: 3 mm stainless steel</p>	
Description	Material / Colour	Packaging unit	Article number
Concealed washroom combination with paper towel dispenser and waste bin	Stainless steel matt		<b>CONT19200041060</b>
Paper towel	White	5.000 towels	<b>CONO740000</b>


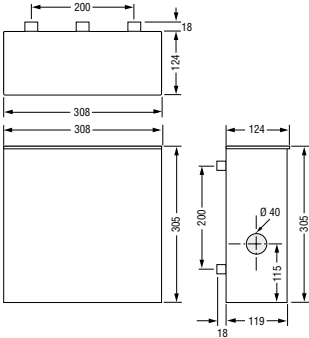
## Hygienic bag dispenser and waste bin combination

		<p>Concealed hygiene combination with hygienic bag dispenser and waste bin</p> <ul style="list-style-type: none"> <li>• For wall mounting</li> <li>• Consisting of hygienic bag dispenser and waste bin</li> <li>• With mounting frame</li> <li>• Covering and locking mechanism</li> <li>• Lockable from the front</li> </ul> <p>Width: 346 mm          Mounting depth (min.): 120 mm          Height: 461 mm          Front plate: 3 mm</p>	
Description	Mounting	Material	Article number
Concealed hygiene combination for wall mounting	For wall mounting	Stainless steel matt	<b>CONT16200040461</b>


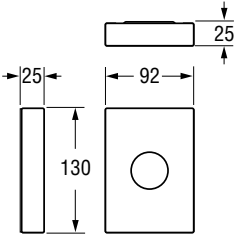
Sanitary equipment

## Hygiene bins


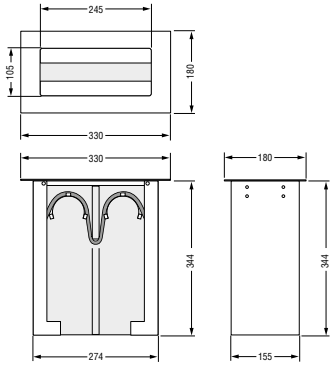
			<p>Hygiene bin for wall mounting, with storage container</p> <ul style="list-style-type: none"> <li>• For wall mounting</li> <li>• With 3 pre-drilled holes</li> <li>• With integrated hygienic bag dispenser</li> <li>• Removable from side hole opening</li> <li>• Lockable from the front</li> <li>• With storage container</li> </ul> <p>Dimensions (WxHxD): 308x305x119 mm Front plate: 3 mm</p>	
Description		Filling capacity	Hole opening	Article number
Hygiene bin with storage container		1 Pack of 30 bags	Right	<b>CONT18200011305</b>
		1 Pack of 30 bags	Left	<b>CONT18200012305</b>


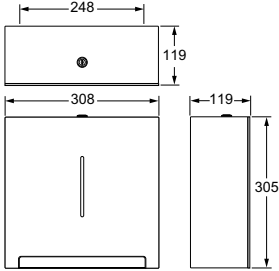
			<p>Hygiene bin</p> <ul style="list-style-type: none"> <li>• For wall mounting</li> <li>• With 3 pre-drilled holes</li> <li>• With integrated hygienic bag dispenser</li> <li>• With flap lid</li> </ul> <p>Dimensions (WxHxD): 308x305x124 mm Material thickness: 1,5 mm</p>
Description	Colour		Article number
Hygiene bin with integrated hygienic bag dispenser	Stainless steel matt		<b>CONT18200010305</b>


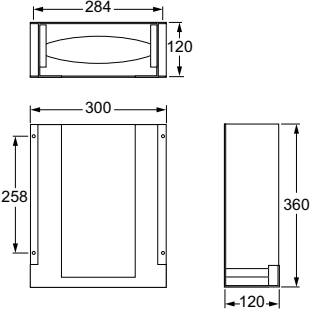
## Hygienic bag dispenser

			<p>Hygienic bag dispenser</p> <ul style="list-style-type: none"> <li>• For wall mounting</li> <li>• With 2 pre-drilled holes</li> </ul> <p>Dimensions (WxHxD):: 92x130x25 mm</p>
Description	Filling capacity	Material	Article number
Hygienic bag dispenser	1 pack of 30 bags	Stainless steel matt	<b>CONT16200040130</b>

## Paper towel dispenser


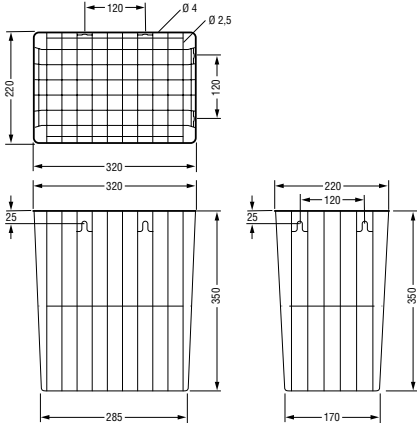
		<p><b>Paper towel dispenser</b></p> <ul style="list-style-type: none"> <li>• For vertical and horizontal vanity installation</li> <li>• Holding approx. 500 paper towels</li> <li>• Dispensing from top or from the front</li> <li>• Mounting plate for horizontal mounting on site or on request</li> </ul> <p>Front panel: 330x180x2 mm                  Insert box: 274x155x344 mm                  Cut-out diameter: 276x157 mm                  Filling height: ca. 230 mm</p>	
Description	Mounting	Material	Article number
Paper towel dispenser	For vanity installation	Stainless steel matt	<b>CONT16200030000</b>

		<p><b>Paper towel dispenser</b></p> <ul style="list-style-type: none"> <li>• For wall mounting</li> <li>• With 3 pre-drilled holes</li> <li>• Without fixing material</li> <li>• Lockable from above</li> </ul> <p>Dimensions (WxHxD): 308x305x119 mm                  Front plate: 2 mm</p>	
Bezeichnung	Mounting	Material	Article number
Papierhandtuchspender	For wall installation	Stainless steel matt	<b>CONT16200010000</b>


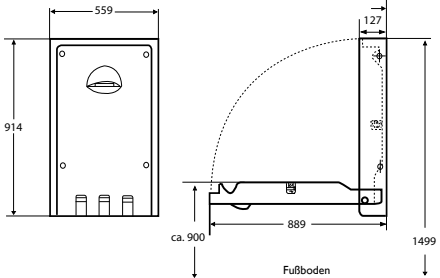
		<p><b>Paper towel dispenser</b></p> <ul style="list-style-type: none"> <li>• For mounting behind the mirror</li> <li>• Paper removal from below</li> <li>• Filling from above</li> </ul> <p>Dimensions (WxHxD): 300x360x120 mm                  Filling height: ca. 350 mm</p> <p>Minimum distance to washbasin: 400 mm</p>	
Description	Mounting	Material	Article number
Paper towel dispenser	For mounting behind the mirror	Stainless steel matt	<b>CONT16200050000</b>

Sanitary equipment


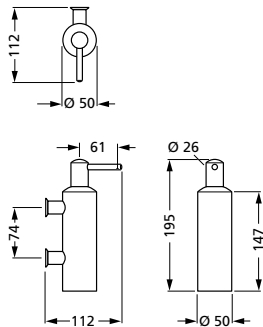
## Mesh basket for paper waste


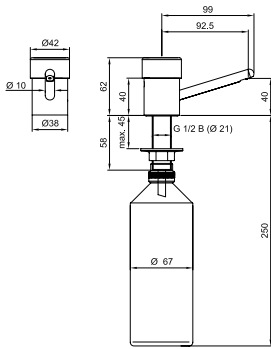
			<p><b>Mesh basket for paper waste</b></p> <ul style="list-style-type: none"> <li>• For use with or without waste bags</li> <li>• Wire mesh</li> <li>• With wall bracket</li> <li>• For exposed mounting or free-standing</li> <li>• Stainless steel mesh, plastic coated</li> </ul> <p>Dimensions (WxHxD): 320x350x220 mm</p>
Description	Mounting	Colour	Article number
Mesh basket with 25 liter volume	For wall mounting	White	<b>CONT18500000640</b>
		Silver (rilsan coated)	<b>CONT18400000640</b>


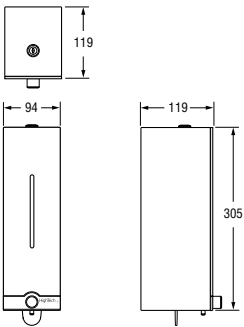
## Diaper changing table

		<p><b>Diaper changing table</b></p> <ul style="list-style-type: none"> <li>• For exposed mounting</li> <li>• Down foldable wall</li> <li>• Disinfectable underlay of antibacterial plastic</li> <li>• With substructure made of steel</li> <li>• Usable up to 60 kg</li> <li>• With dispenser for towels</li> <li>• Plastic beige</li> <li>• Incl. mounting material</li> </ul> <p>Dimensions (WxHxD): 559x914x127 mm Projection: 889 mm</p>
Description	Material/Colour	Article number
Diaper changing table	Plastic/Beige	<b>CONT25578710000</b>

## Wall and table soap dispenser

			<p><b>Wall-mounted soap dispenser</b></p> <ul style="list-style-type: none"> <li>• With 2 pre-drilled holes</li> <li>• Only for pH neutral, chloride- and halogen-free soap</li> </ul> <p>Viscosity: 4-3500 mPa*s                  Height: 195 mm                  Spout projection: 112 mm                  Filling capacity: 150 ml</p> <p><b>Attention!</b> Please use recommended ph-neutral liquid, chloride and halogen free soap only – otherwise no guarantee!</p>
	Description	Filling capacity	Colour / Material
Wall-mounted soap dispenser	150 ml	Chromed	<b>CONT17300710150</b>
	150 ml	Stainless steel matt	<b>CONT17200710150</b>


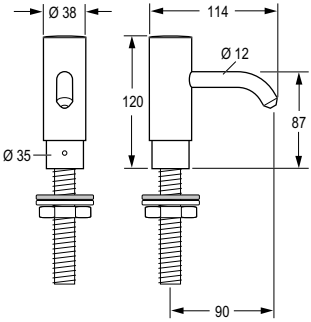
 <p><b>Attention!</b> Please use recommended ph-neutral liquid, chloride and halogen free soap only – otherwise no guarantee!</p>			<p><b>Table soap dispenser</b></p> <ul style="list-style-type: none"> <li>• Solid brass, chromed</li> <li>• With manually operated, theft-proof metering pump</li> <li>• Liquid soap refillable from above without removing the soap container</li> <li>• Soap container, to refill liquid soap, plastic</li> </ul> <p>Height: 62 mm                  Spout projection: 92/43 mm                  Hole diameter: Ø 22-25 mm</p>
	Description	Filling capacity	Colour
Table soap dispenser	500 ml	Chromed	<b>CONT17300730062</b>


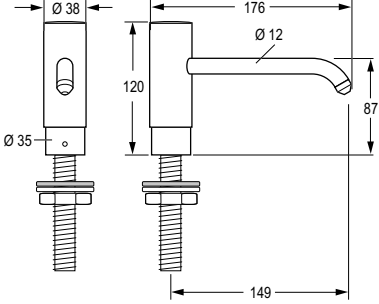
			<p><b>Wall-mounted soap dispenser</b></p> <ul style="list-style-type: none"> <li>• Without fixing material</li> <li>• Theft-proof fixing</li> <li>• Lockable from above</li> </ul> <p>External measurement: 94x119x305 mm                  Front plate: 3 mm                  Filling capacity: 1000 ml                  Viscosity: 4-3500 mPa*s</p> <p><b>Attention!</b> Please use recommended pH-neutral liquid, chloride and halogen free soap only – otherwise no guarantee!</p>
	Description	Filling capacity	Material
Wall-mounted soap dispenser	1000 ml	Stainless steel matt	<b>CONT17200710305</b>

Sanitary equipment




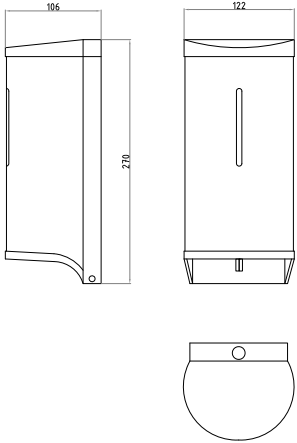
## Table soap dispenser

		<p><b>Table soap dispenser</b></p> <ul style="list-style-type: none"> <li>• With container 1000 ml</li> <li>• Refillable from above or below</li> <li>• Pumping height approx.: 1500 mm</li> <li>• Dosage 1-2 ml per keypress</li> <li>• For panel thickness 50 mm</li> </ul> <p>Viscosity: 4-3500 mPa*s                  Spout projection: 90 mm                  Height: 120 mm                  Hole diameter: 23 mm</p> <p><b>Attention!</b> Please use recommended pH-neutral liquid, chloride and halogen free soap only – otherwise no guarantee!</p>	
Description	Filling capacity	Colour / Material	Article number
Table soap dispenser short spout	1000 ml	Chromed	<b>CONT17300731090</b>
	1000 ml	Stainless steel matt	<b>CONT17200731090</b>


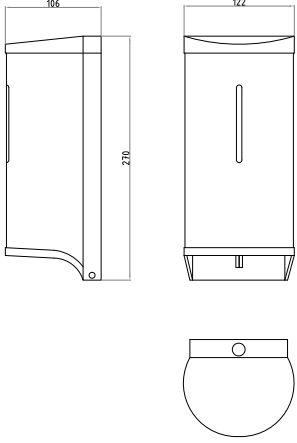
		<p><b>Table soap dispenser</b></p> <ul style="list-style-type: none"> <li>• With container 1000 ml</li> <li>• Refillable from above or below</li> <li>• Pumping height approx.: 1500 mm</li> <li>• Dosage 1-2 ml per keypress</li> <li>• For panel thickness 50 mm</li> </ul> <p>Viscosity: 4-3500 mPa*s                  Spout projection: 149 mm                  Height: 120 mm                  Hole diameter: 23 mm</p> <p><b>Attention!</b> Please use recommended pH-neutral liquid, chloride and halogen free soap only – otherwise no guarantee!</p>	
Description	Filling capacity	Colour / Material	Article number
Table soap dispenser long spout	1000 ml	Chromed	<b>CONT17300731149</b>
	1000 ml	Stainless steel matt	<b>CONT17200731149</b>

Sanitary equipment

## Soap dispenser CLEANLINE



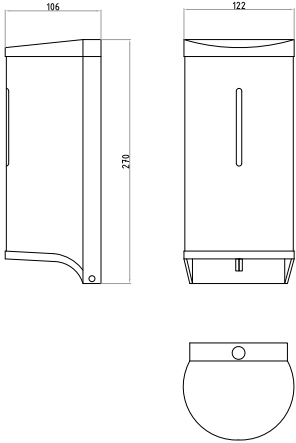
		<p>CleanLine dispenser for foam soap Touchless dispenser for foam soap.</p> <ul style="list-style-type: none"> <li>• For wall mounting</li> <li>• Housing made of stainless steel, top and bottom parts made of grey plastic.</li> <li>• Capacity: 800 ml</li> <li>• Dosage: up to 1.300</li> <li>• Power connection by external transformer possible*</li> <li>• Activation distance: 5 cm approx. below dosing nozzle</li> <li>• Blue light for action display</li> <li>• Locking protects against vandalism</li> <li>• Battery type AA: 4 pieces*</li> </ul> <p>*not in scope of delivery</p> <p>Weight: 0,7 kg Dimensions (WxHxD): 122x270x106 mm</p> <p>Suitable table and floor stands starting on page386</p>
Description	Version	Article number
CLEANLINE soap dispenser	Foam soap	<b>CONT17200810846</b>

## Soap dispenser CLEANLINE



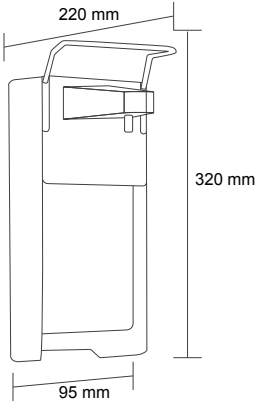
		<p>CleanLine dispenser for liquid soap Touchless dispenser for liquid soap.</p> <ul style="list-style-type: none"> <li>• For wall mounting</li> <li>• Housing made of stainless steel, top and bottom parts made of grey plastic.</li> <li>• Capacity: 800 ml</li> <li>• Dosage: up to 1.300</li> <li>• Power connection by external transformer possible*</li> <li>• Activation distance: 5 cm approx. below dosing nozzle</li> <li>• Blue light for action display</li> <li>• Locking protects against vandalism</li> <li>• Battery type AA: 4 pieces*</li> </ul> <p>*not in scope of delivery</p> <p>Weight: 0,7 kg Dimensions (WxHxD): 122x270x106 mm</p> <p>Suitable table and floor stands starting on page386</p>
Description	Version	Article number
CLEANLINE soap dispenser	Liquid soap	<b>CONT17200810847</b>

Sanitary equipment

## Dispenser HK IRSP

 	 <p><b>Note:</b> Please fill only ready to use disinfection dilution e.g. CONTI+ oXan clean into the dispenser; in case the dilution could be mix within the tank of the dispenser made of e.g. CONTI+ oXan clean concentrate and distilled water.</p>	<p><b>Dispenser for disinfectant</b> Touchless dispenser for disinfectant.</p> <ul style="list-style-type: none"> <li>• For wall mounting</li> <li>• Housing made of stainless steel, top and bottom parts made of grey plastic.</li> <li>• Capacity: 800 ml</li> <li>• Dosage: up to 1.300</li> <li>• Power connection by external transformer possible*</li> <li>• Activation distance: 5 cm approx. below dosing nozzle</li> <li>• Blue light for action display</li> <li>• Locking protects against vandalism</li> <li>• Battery type AA: 4 pieces*</li> </ul> <p>*not in scope of delivery</p> <p>Weight: 0,7 kg Dimensions (WxHxD): 122x270x106 mm</p> <p>Suitable table and floor stands starting on page386</p>
Description	Material/Colour	Article number
Touchless Disinfectant dispenser	Stainless steel/Plastic	<b>CONT17500810031</b>


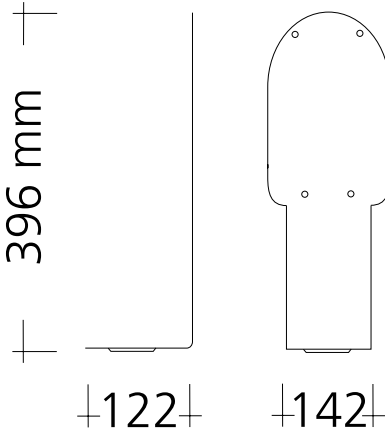
## Dispenser for disinfectant | liquid soap SC-268L

 	 <p><b>Note:</b> Please fill only ready to use disinfection dilution e.g. CONTI+ oXan clean into the dispenser; in case the dilution could be mix within the tank of the dispenser made of e.g. CONTI+ oXan clean concentrate and distilled water.</p>	<p><b>Dispenser for liquid soap or disinfectant, manual</b></p> <ul style="list-style-type: none"> <li>• For wall mounting (including fixing material)</li> <li>• Housing made from aluminium/pump lever made from stainless steel</li> <li>• With refill tank 1 litres</li> <li>• Dosing quantity 1-3 ml per stroke</li> </ul> <p>Dimensions (WxHxD): 95x320x220 mm</p>
Description	Material/Color	Articel number
Soap/disinfectant dispenser SC-268L manuel	ABS (White/Grey)	<b>CONT17700710268</b>



## Dispenser ELEGANCE

	 <p><b>Note:</b> Please fill only ready to use disinfection dilution e.g. CONTI+ oXan clean into the dispenser; in case the dilution could be mix within the tank of the dispenser made of e.g. CONTI+ oXan clean concentrate and distilled water.</p>	<p><b>Dispenser ELEGANCE</b></p> <p>Touchless soap dispenser for liquid soap or disinfectant.</p> <ul style="list-style-type: none"> <li>• For wall mounting</li> <li>• Battery operated</li> <li>• Casing made of impact-resistant plastic, white</li> <li>• With level indicator</li> <li>• Special key for locking</li> <li>• Ready for activation in closed state</li> <li>• Activation distance: 1 to 8 cm</li> <li>• Dosage quantity: 1 ml per dosage</li> </ul> <p>Weight: 1 kg                  Dimensions (WxHxD): 140x235x115 mm                  Capacity: 1,1 l</p> <p>Suitable table and floor stands starting on page 386.</p>	
Description	Version	Colour	Article number
ELEGANCE Dispenser	Liquid soap	White	<b>CONT17500810717</b>
	Disinfectant	White	<b>CONT17500810718</b>



## Drip tray for dispenser ELEGANCE

		<p><b>Drip tray for dispenser ELEGANCE</b></p> <ul style="list-style-type: none"> <li>• For wall mounting</li> <li>• Made of powder-coated steel</li> <li>• To prevent splashes and slippery floor</li> </ul> <p>Weight: 0,45 kg                  Dimensions (WxHxD): 142x396x122 mm</p>
Description	Colour	Article number
Drip tray for dispenser ELEGANCE	White	<b>CONT44500053185</b>

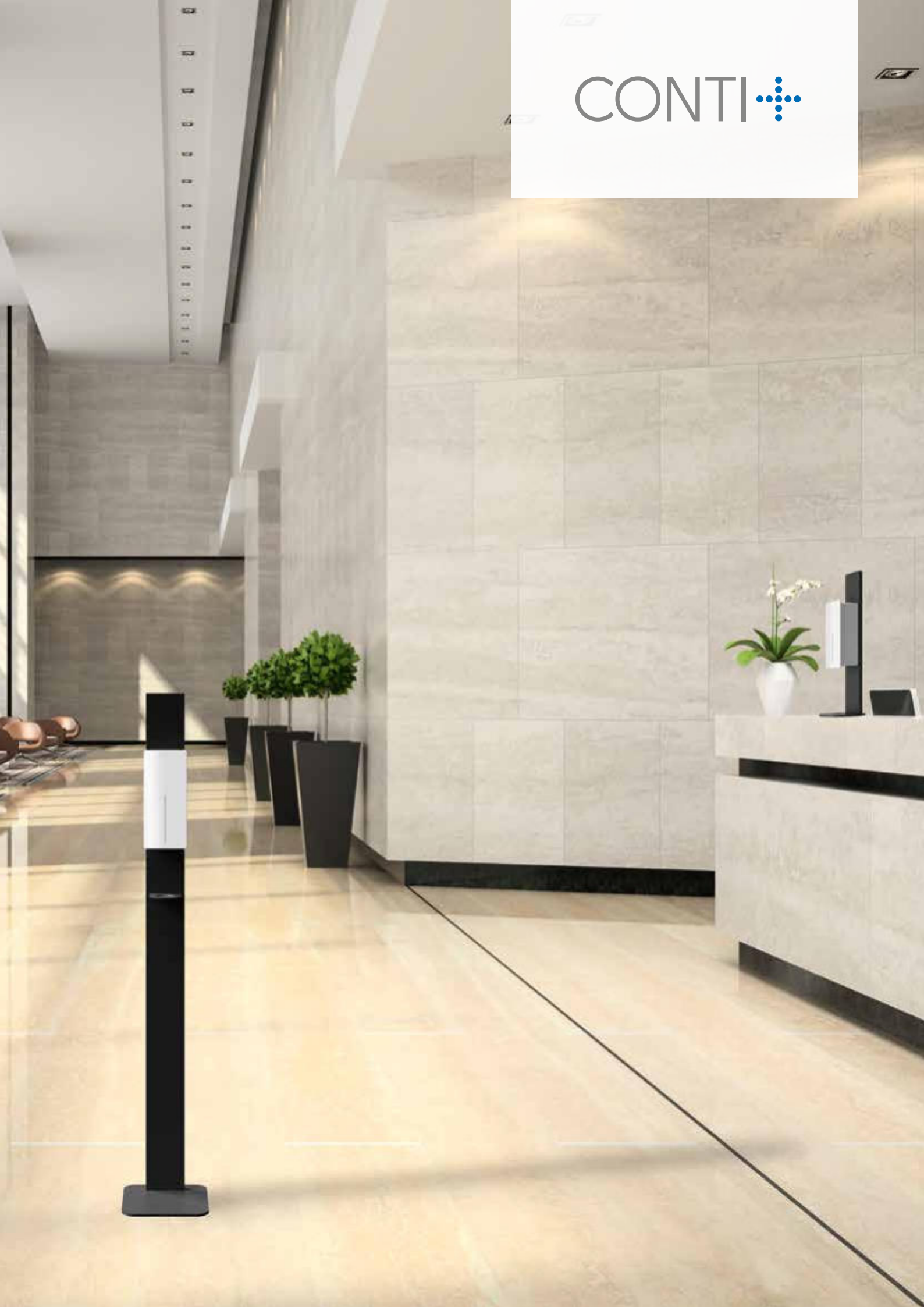
## Disinfectant dispenser SC-7501

 	<p>Disinfectant dispenser SC-7501, touchless</p> <ul style="list-style-type: none"> <li>• For wall mounting (including fixing material)</li> <li>• Touchless activation via IR sensor</li> <li>• Housing made of white ABS, rear panel made of grey ABS</li> <li>• With refill tank 0.5 litres</li> <li>• Dosage quantity 1 ml per dosage</li> <li>• Battery operated (4 x 1.5 V alkaline type AA – not included)</li> <li>• Key locking</li> <li>• Front inspection window for fill level control</li> </ul> <p>Dimensions (WxHxD): 90x200x80 mm</p> <p>Suitable table and floor stands starting on page 386.</p> <p><b>Note:</b> Please fill only ready to use disinfection dilution e.g. CONTI+ oXan clean into the dispenser; in case the dilution could be mix within the tank of the dispenser made of e.g. CONTI+ oXan clean concentrate and distilled water.</p>	
	Description	Material/Colour
Disinfectant dispenser SC-7501 touchless	ABS (White/Grey)	<b>CONT17500817501</b>


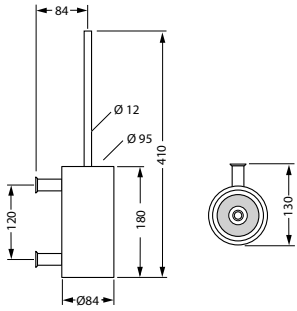
## Dispenser for disinfectant | liquid soap SC-7511


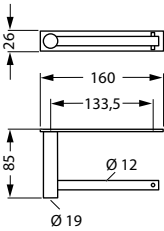
 	<p>Dispenser for disinfectant   liquid soap SC-7511, touchless</p> <ul style="list-style-type: none"> <li>• For wall mounting (including fixing material)</li> <li>• Touchless activation via IR sensor</li> <li>• Housing made of white ABS, rear panel made of grey ABS</li> <li>• With refill tank 0.5 litres</li> <li>• Dosage quantity 1 ml per dosage</li> <li>• Battery operated (4 x 1.5 V alkaline type AA – not included)</li> <li>• Key locking</li> <li>• Front inspection window for fill level control</li> </ul> <p>Dimensions (WxHxD): 90x200x80 mm</p> <p>Suitable table and floor stands starting on page 386.</p> <p><b>Note:</b> Prepared as disinfectant dispenser; nozzle for conversion to liquid soap dispenser included in delivery.</p> <p><b>Note:</b> Please fill only ready to use disinfection dilution e.g. CONTI+ oXan clean into the dispenser; in case the dilution could be mix within the tank of the dispenser made of e.g. CONTI+ oXan clean concentrate and distilled water.</p>	
	Description	Material/Colour
Dispenser for disinfectant/liquid soap SC-7511 touchless	ABS (White/Grey)	<b>CONT17500817511</b>


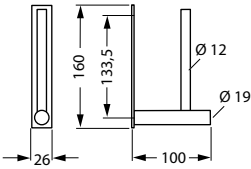
CONTI 



Toilet accessories


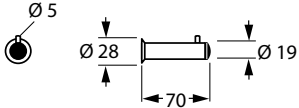
		<p><b>Toilet brush set and spare brush</b></p> <ul style="list-style-type: none"> <li>• For wall mounting</li> <li>• with container and replaceable brush head black</li> <li>• removable plastic insert</li> <li>• theft-proof fastening</li> </ul>
Description	Colour / Material	Article number
Toilet brush	Chromed	<b>CONT12300010000</b>
	Stainless steel matt	<b>CONT12200010000</b>
Replacement brush	Black / chrome	<b>CONT12300010010</b>
	Black / stainless steel	<b>CONT12200010020</b>


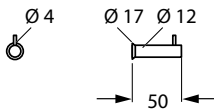
		<p><b>Toilet paper holder</b></p> <ul style="list-style-type: none"> <li>• For wall mounting</li> <li>• Theft-proof fixing</li> </ul> <p>Distance from wall: 85 mm                  Diameter: 12 mm                  Length: 160 mm</p>	
Description	Length	Colour / Material	Article number
Toilet paper holder	160 mm	Chromed	<b>CONT13306010000</b>
	160 mm	Stainless steel matt	<b>CONT13206010000</b>


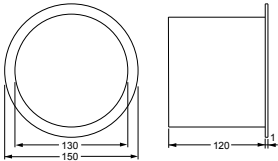
		<p><b>Spare toilet paper holder</b></p> <ul style="list-style-type: none"> <li>• For wall-mounting</li> <li>• Theft-proof fixing</li> </ul> <p>Projection: 100 mm                  Diameter: 12 mm                  Width: 26 mm                  Height: 160 mm</p>	
Description	Length	Colour / Material	Article number
Spare toilet paper holder	160 mm	Chromed	<b>CONT13308010000</b>
	160 mm	Stainless steel matt	<b>CONT13208010000</b>


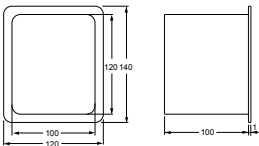
Sanitary equipment

## Toilet accessories

		<b>Hook with doorstop</b> <ul style="list-style-type: none"> <li>• For wall mounting</li> <li>• With pin</li> </ul> Projection: 70 mm Diameter: 19 mm	
Description	Projection	Colour / Material	Article number
Hook with doorstop	70 mm	Chromed	<b>CONT14300010100</b>
		Stainless steel matt	<b>CONT14200010100</b>

		<b>Hook</b> <ul style="list-style-type: none"> <li>• For wall mounting</li> <li>• Theft-proof fixing</li> <li>• With pin</li> </ul> Projection: 50 mm Diameter: 12 mm	
Description	Projection	Colour / Material	Article number
Hook	50 mm	Chromed	<b>CONT14300010000</b>
		Stainless steel matt	<b>CONT14200010000</b>


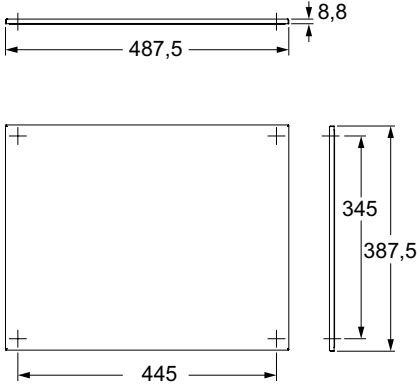
		<b>Discharge opening</b> <ul style="list-style-type: none"> <li>• Round</li> <li>• For installation in the vanity top</li> </ul> Inner diameter: 130 mm Outside diameter: 150 mm Height: 120 mm	
Description	Material	Article number	
Round discharge opening	Stainless steel matt	<b>CONT24207030150</b>	

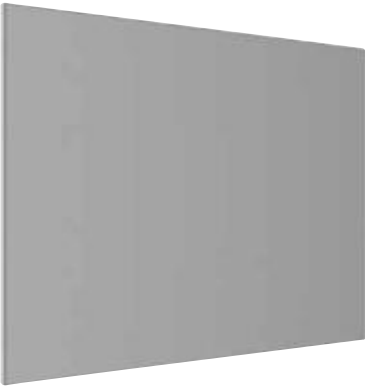
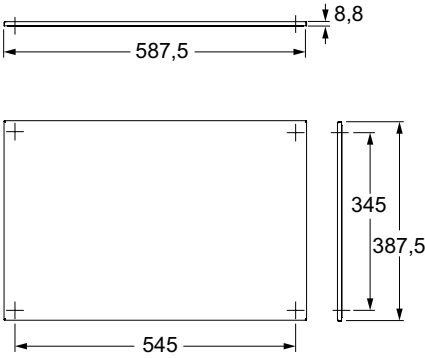
		<b>Discharge opening</b> <ul style="list-style-type: none"> <li>• Rectangular</li> <li>• For installation in the vanity top</li> </ul> Inner edge: 100x120 mm Outside edge: 120x140 mm Height: 100 mm	
Description	Material	Article number	
Rectangle discharge opening	Stainless steel matt	<b>CONT24208030130</b>	

Sanitary equipment

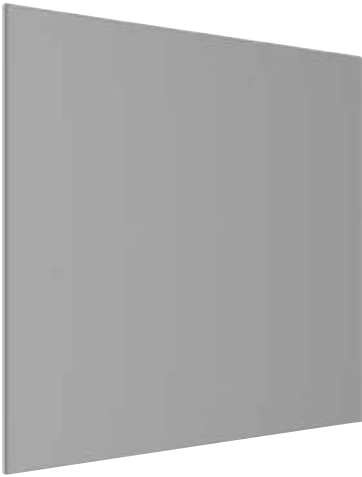
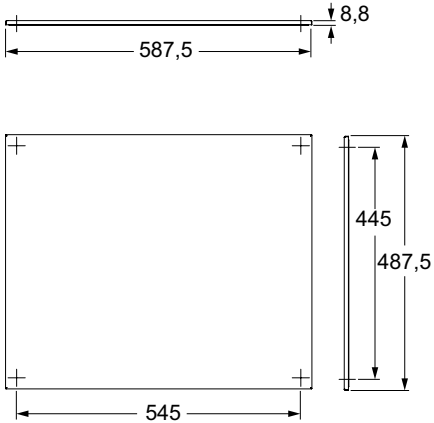


## Wall mirrors

		<p>Wall mirror</p> <ul style="list-style-type: none"> <li>• Mirror surface bevelled on all sides by 8 mm</li> <li>• Deposited with plastic carrier plate</li> <li>• Carrier board with 4 holes for wall mounting and double-side tape to bond the mirror</li> <li>• Incl. mounting material</li> </ul> <p>Dimensions (WxHxD): 487,5x387,5x8,8 mm</p>	
Description	Dimensions	Material	Article number
Wall mirror	500x400 mm	Highly polished stainless steel	<b>CONT22100010487</b>


		<p>Wall mirror</p> <ul style="list-style-type: none"> <li>• Mirror surface bevelled on all sides by 8 mm</li> <li>• Deposited with plastic carrier plate</li> <li>• Carrier board with 4 holes for wall mounting and double-side tape to bond the mirror</li> <li>• Incl. mounting material</li> </ul> <p>Dimensions (WxHxD):587,5x387,5x8,8 mm</p>	
Description	Dimensions	Material	Article number
Wall mirror	600x400 mm	Highly polished stainless steel	<b>CONT22100010545</b>

## Wall mirrors

			<p>Wall mirror</p> <ul style="list-style-type: none"> <li>• Mirror surface bevelled on all sides by 8 mm</li> <li>• Deposited with plastic carrier plate</li> <li>• Carrier board with 4 holes for wall mounting and double-side tape to bond the mirror</li> <li>• Incl. mounting material</li> </ul> <p>Dimensions (WxHxD):587,5x487,5x8,8 mm</p>
Description	Dimensions	Material	Article number
Wall mirror	600x500 mm	Highly polished stainless steel	<b>CONT22100011545</b>

## Consumable supplies

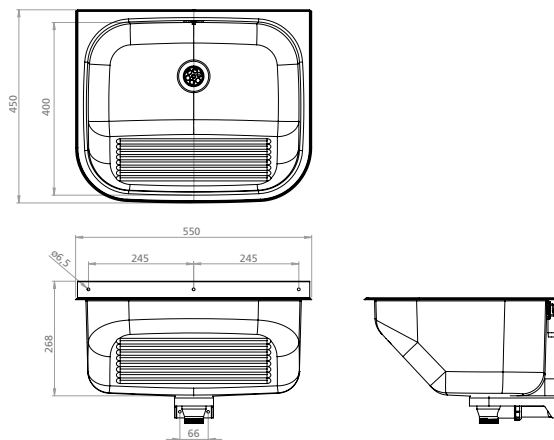
	<p><b>Paper towels</b></p> <ul style="list-style-type: none"> <li>• White</li> <li>• Super soft</li> <li>• 2-Layer</li> <li>• Z-interfold</li> </ul> <p>Dimensions: 250x230 mm (unfolded) Content: 5.000 Pieces (20 packages a 250 towels)</p>		
	Description	Content	Colour
Paper towels	5.000 pieces	White	<b>CONO740000</b>

	<p><b>Hygienic bags</b></p> <p>Material: LDPE, white Dimensions (WxHxD): 85x125x20 mm (refill) Content: 750 Pieces (25 refill a 30 pcs.)</p>		
	Description	Content	Colour
Hygienic bags	750 pieces	White	<b>CONO741000</b>

CONTI 



## SteelTec washbasin Bergen 480



### SteelTec washbasin Bergen 480

- For wall mounting
- With washboard stamping at front side
- With integral hygiene edge
- With overflow set
- Without tap hole
- With 1 1/2" drain valve
- With plug and chain
- With wall brackets
- With fixing material

Dimensions (WxHxD): 555x450x268 mm  
 Material: Stainless steel 1.4301

Description	Width	Material	Article number
SteelTec washbasin Bergen 480	550 mm	Stainless steel matt	<b>CONT01221210480</b>

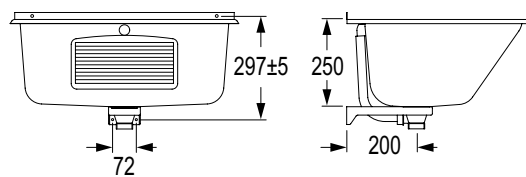
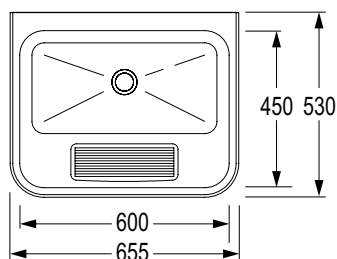
## SteelTec washbasin Bergen 530



### SteelTec washbasin Bergen 530

- For wall mounting
- With washboard stamping at front side
- With integral hygiene edge
- With overflow set
- Without tap hole
- With 1 1/2" drain valve
- With plug and chain
- With wall brackets
- With fixing material

Dimensions (WxHxD): 655x250x530 mm  
 Material: Stainless steel 1.4301



Sanitary equipment

Description	Width	Material	Article number
SteelTec washbasin Bergen 530	655 mm	Stainless steel matt	<b>CONT01221210530</b>

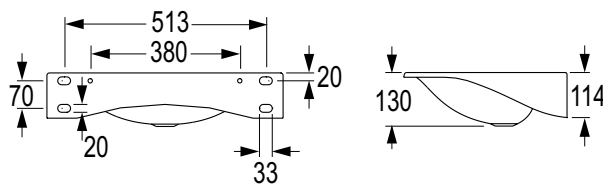
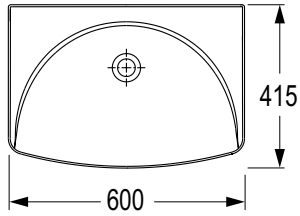
## SteelTec washbasin Malmoe



### SteelTec washbasin Malmoe

- For wall mounting
- With integrated brackets
- Mounting screws
- With 1 1/4" drain valve
- Without tap hole
- With overflow

Dimensions (WxHxD): 600x130x415 mm  
 Material: Stainless steel 1.4301



Description	Width	Material	Article number
SteelTec washbasin Malmoe	600 mm	Stainless steel matt	<b>CONT01211210415</b>

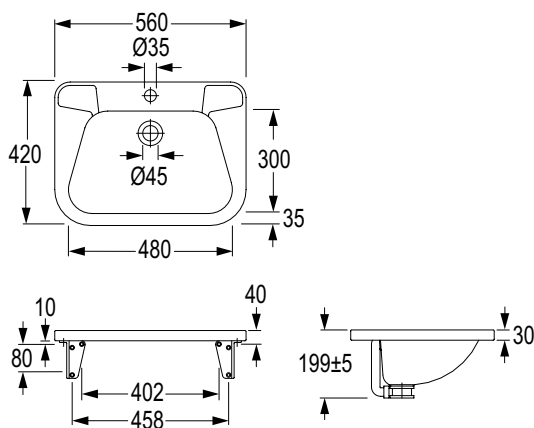
## SteelTec washbasin Emden



### SteelTec washbasin Emden

- Washbasin for wall mounting
- With tap hole
- With integrated soap dishes
- With overflow set
- With 1 1/2" drain valve
- With plug and chain
- With wall brackets
- With fixing material

Dimensions (WxHxD): 560x199x420 mm  
 Material: Stainless steel 1.4301

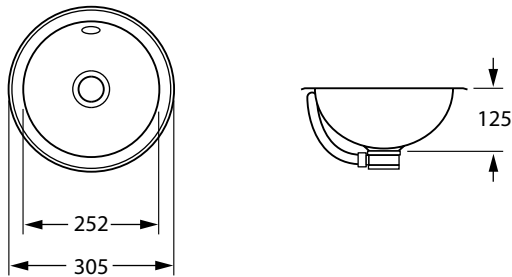


Sanitary equipment

Description	Width	Material	Article number
SteelTec Washbasin Emden	560 mm	Stainless steel matt	<b>CONT01212200420</b>



## SteelTec built-in basin Lund 305



### SteelTec built-in basin Lund 305, round

- For table installation, for gluing
- Without overflow set

External dimension: Ø 305 mm  
 Internal dimension: Ø 252 mm  
 Cut-out diameter: Ø 270mm  
 Height: 125 mm  
 Material: Stainless steel 1.4301

Description	Material	Article number
SteelTec built-in basin Lund 305, round	Polished inside and outside	<b>CONT02121130305</b>

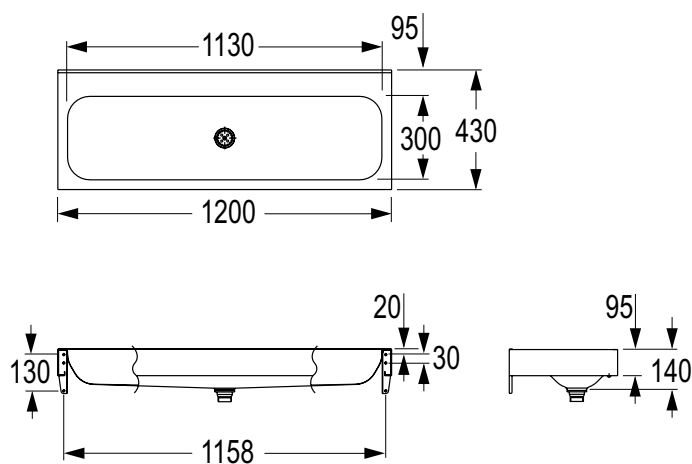
## SteelTec wash trough Fjord 1200



### SteelTec wash trough Fjord 1200

- For wall mounting
- Seamlessly pressed
- Including 1 1/2" drain valve and possibility to mount an optional wall panel
- Without tap hole
- Without overflow
- With consoles
- With mounting material

Dimensions (WxHxD): 1200x140x430 mm  
 Material: Stainless steel 1.4301



Sanitary equipment

Description	Width	Material	Article number
SteelTec wash trough Fjord 1200	1200 mm	Stainless steel matt	<b>CONT07211211201</b>

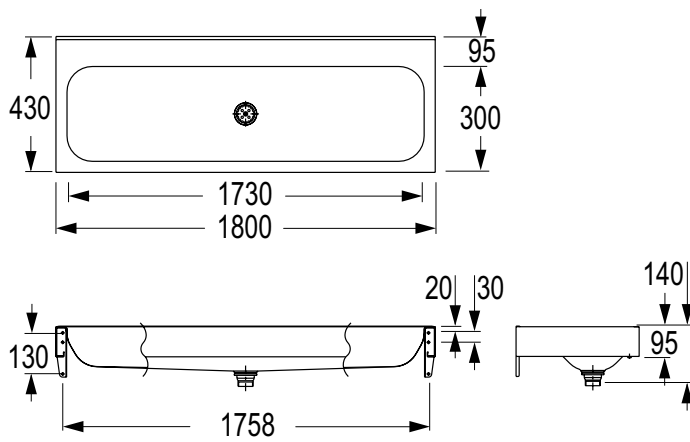
## SteelTec wash trough Fjord 1800



### SteelTec wash trough Fjord 1800


- For wall mounting
- Seamlessly pressed
- Including 1 1/2" drain valve and possibility to mount an optional wall panel
- Without tap hole
- Without overflow
- With consoles
- With mounting material

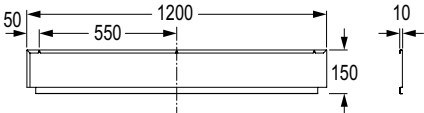
Dimensions (WxHxD): 1800x130x430 mm  
 Material: Stainless steel 1.4301

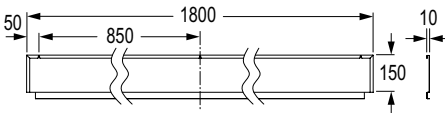


Description	Width	Material	Article number
SteelTec wash trough Fjord 1800	1800 mm	Stainless steel matt	<b>CONT07211211801</b>


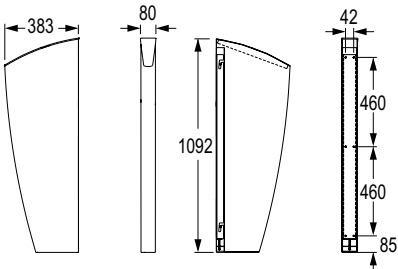
## Accessories wash troughs

	<b>Corner protection</b> <ul style="list-style-type: none"> <li>• To retrofit corner protectors</li> <li>• For SteelTec wash trough Fjord</li> <li>• Plastic ABS</li> <li>• Packaging unit: 2 pieces</li> </ul>		
	Description	Material	Colour
Corner protection	Plastic	Black	<b>CONO720000</b>

	<b>Wall panel for wash trough Fjord 1200</b> Dimensions (WxHxD): 1200x150x10 mm		
	Description	Material	Article number
Wall panel for wash trough Fjord 1200	Stainless steel matt		<b>CONO731200</b>

	<b>Wall panel for wash trough Fjord 1800</b> Dimensions (WxHxD): 1800x150x10 mm		
	Description	Material	Article number
Wall panel for wash trough Fjord 1800	Stainless steel matt		<b>CONO731800</b>

## SteelTec urinal partition wall

				<b>SteelTec urinal partition wall</b> <ul style="list-style-type: none"> <li>• With concealed wall bracket</li> <li>• Accessory for SteelTec Oslo urinal</li> </ul> Dimensions (WxHxD): 80x1092x383 mm Material: Stainless steel 1.4301	
	Description	Montage	Material	Article number	
Urinal partition wall	For wall mounting	Stainless steel matt	<b>CONT09200010383</b>		

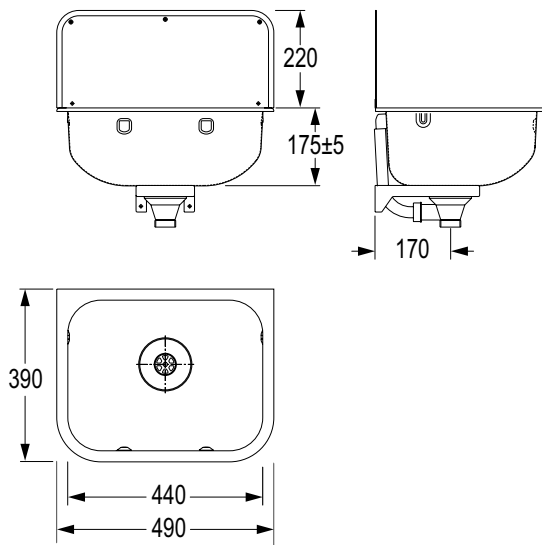
## SteelTec laboratory sink Visby 390



### SteelTec laboratory sink Visby 390

- For wall mounting
- With wall panel
- With overflow set
- With 3 1/2" x 1 1/2" drain valve
- With plug and chain
- With brackets
- With mounting material

Dimensions (WxHxD): 490x395x390 mm  
 Material: Stainless steel 1.4301



Description	Width	Material	Article number
SteelTec laboratory sink Visby 390	490 mm	Stainless steel matt	<b>CONT05221210390</b>

Sanitary equipment

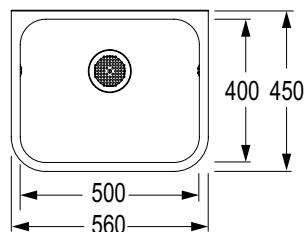
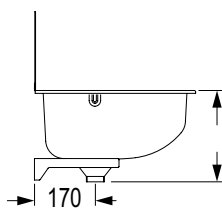
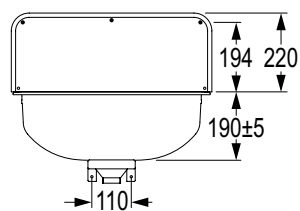
## SteelTec bucket sink Visby 450



### SteelTec bucket sink Visby 450

- For wall mounting
- With wall panel
- With space-saving siphon
- With 3 1/2" x 2" drain valve
- Including 2" - 1 1/2" adapter
- Without overflow
- Without bucket grid
- Without tap hole
- With brackets
- With mounting material

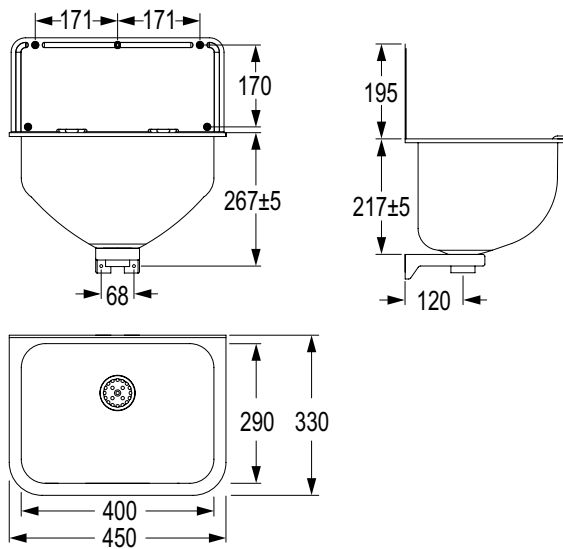
Dimensions (WxHxD): 560x450x410 mm  
 Material: Stainless steel  
 1.4301



Sanitary equipment

Description	Width	Material	Article number
SteelTec bucket sink Visby 450	560 mm	Stainless steel matt	<b>CONT05211210450</b>

## SteelTec bucket sink Visby 330



### SteelTec bucket sink Visby 330

- For wall mounting
- With wall panel
- With space-saving siphon
- With 1 1/2" drain valve
- Without bucket grid
- Without tap hole
- Without overflow
- With brackets

Dimensions (WxHxD): 450x412x330 mm  
 Material: Stainless steel 1.4301

Description	Width	Material	Article number
SteelTec bucket sink Visby 330	450 mm	Stainless steel matt	<b>CONT05211210330</b>

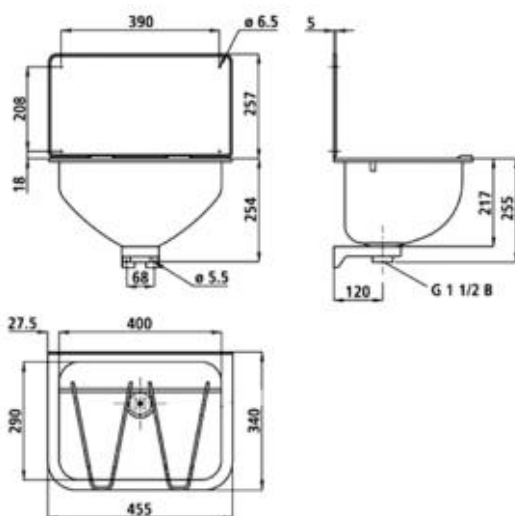
## SteelTec bucket sink Visby 310



### SteelTec bucket sink Visby 310

- For wall mounting
- With wall panel
- With space-saving siphon
- With 1 1/2" drain valve
- With bucket grid
- Without tap hole
- Without overflow
- With brackets


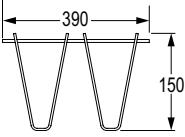

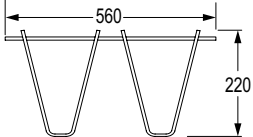
Dimensions (WxHxD): 455x511x340 mm  
 Material: Stainless steel  
 1.4301



Description	Width	Material	Article number
SteelTec bucket sink Visby 310	455 mm	Stainless steel matt	<b>CONT05211210310</b>



## Accessories for SteelTec bucket sinks

		<p>Bucket grid for bucket sink Visby 330 Dimensions (WxD): 390x150 mm</p>
Description	Material	Article number
<p>Bucket grid for bucket sink Visby 330</p>	<p>Stainless steel matt</p>	<p><b>CONO710330</b></p>
		<p>Bucket grid for bucket sink Visby 450 Dimensions (WxD): 560x220 mm</p>
Description	Material	Article number
<p>Bucket grid for bucket sink Visby 450</p>	<p>Stainless steel matt</p>	<p><b>CONO710450</b></p>

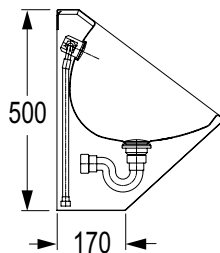
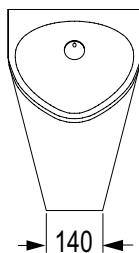
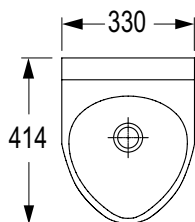
## SteelTec urinal Oslo



### SteelTec urinal Oslo

- For wall mounting or rear panel mounting
- Vandal-proof version
- With 1 1/4" siphon
- With mesh drain
- With wall bracket
- With installation materials
- With flexible water connection
- With spray nozzle
- Polished inside, matt outside

Dimensions (WxHxD): 330x500x414 mm  
 Material: stainless steel  
 1.4301



Sanitary equipment

Description	Montage	Material	Article number
SteelTec urinal Oslo	Wall mounting	Stainless steel matt	<b>CONT08200010500</b>

## SteelTec wall-mounted toilet Malm, without seat, visible mounting

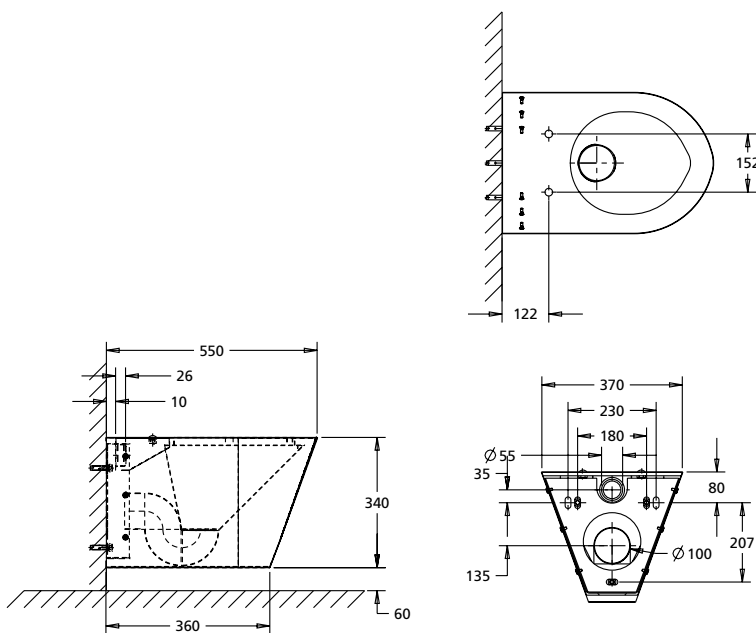


### SteelTec Malm wall-mounted WC

Wall-hung deep-flush WC for installation in conjunction with common concealed mounting elements. Stainless steel matt, without seat, visible fastening. Pre-drilled mounting option for WC seat provided with cover plates. Fastening by means of mounting frame on the wall, or directly on the mounting element. Without sharp edges, corners or seams.

- Connection: from behind
- For common concealed cisterns/pressure flushers
- Flush volume: up to 6 l
- Outlet: DN 100
- Including wall bracket and mounting material
- With siphon
- Stainless steel matt

Dimensions (WxHxD): 370x340x550 mm  
 Material: stainless steel 1.4301



Description	Version	Material	Article number
SteelTec Malm wall-mounted toilet	Without seat, visible fastening	Stainless steel matt	<b>CONT08230010750</b>

Sanitary equipment

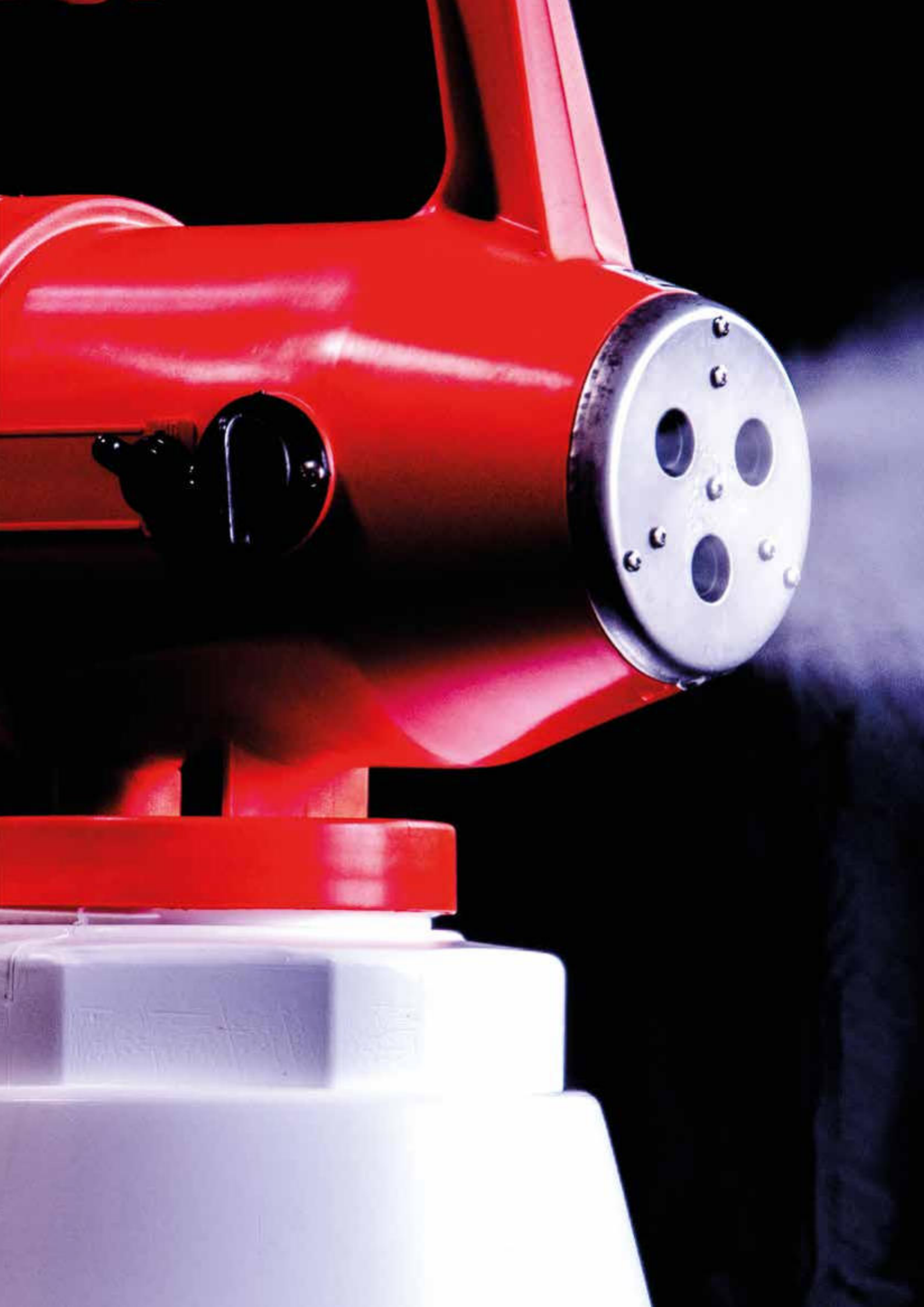


A close-up photograph of a person's face, focusing on the mouth and nose area. A white cloth is draped over the lower part of the face, covering the mouth and nose. The lighting is warm and soft, creating a gentle, intimate atmosphere. The background is dark and out of focus.

# HYGIENE SOLUTIONS

---

Disinfection solutions



## **Disinfection solutions**

Drinking water disinfection .....	436
Surface disinfection.....	438
Room air disinfection .....	441
Swimming pool filter disinfection .....	444

## **Dosing systems**

Pump and tank set.....	446
Connection sets .....	447
Mobility equipment .....	448

## **Accessories**

Flushing units.....	452
Redox measuring units.....	450
Photometer.....	450
Packaging units.....	451
Fogging units.....	452
Drinking water hygiene test .....	453

CONTI 





# CONTI+ oXan™ disinfection solutions

## PREVENTATIVE | PERMANENT | ACUTE

### Drinking water hygiene

The majority of today's drinking water installations are microbiologically compromised. Microbiologically compromised means that the entire drinking water installation has been contaminated by germs. This refers especially to legionella, pseudomonas and E. coli bacteria, with sometimes life threatening consequences for the public. If we consider hygiene in a wider context, a key role is also played by room hygiene, involving the "destruction of viruses, spores and bacteria; odour elimination and dust removal", as well as surface hygiene, involving the "sanitisation of work surfaces, transport surfaces and hands". Other CONTI+ oXan™ disinfection solutions are available for these purposes.

### Causes

- Contamination during and as a result of assembly
- Rough surfaces on water-bearing installation components
- Natural biofilm which can build up significantly as a result of contamination and become the ideal breeding ground for germs
- Failure to comply with/meet temperature specifications for cold and hot water installations
- Stagnation and reduced water flow or installation areas not being fully flushed
- Incorrectly performed procedural measures to reduce the number of germs leading to germs developing resistance

### Application

All these influencing factors can be kept under control through professional planning, correct implementation and proper operation of a drinking water installation, in accordance with normative requirements, guidelines, ordinances and laws. For good hygiene, it is crucial to take or initiate correct preventive measures from the outset, both permanently during operation and in acute cases, using the CONTI+ CNX Water Management System and CONTI+ oXan™ disinfectants.

CONTI+ oXan™ zero disinfection solution for drinking water hygiene removes bacteria, viruses and algae without residue – pH neutral, non-toxic, harmless to humans and materials. Complies with the German Drinking Water Ordinance (TrinkwV) 2018, section 11. CONTI+ oXan™ clean disinfection solution for surface hygiene is a preventive element in the drinking water hygiene concept. Tools, components and equipment are sanitised before use or deployment in the drinking water installation by spraying them with CONTI+ oXan™ clean disinfection solution for surface hygiene.

### CONTI+ oXan™ zero drinking water hygiene

Disinfection of drinking water installations at the same time as fully removing biofilm abrasively and without residue (microbiological decontamination) preventively, during operation and in acute cases.

CONTI+ oXan™ zero is provided as a **ready-to-use concentrate** for adding to a drinking water installation using a dosing system.

### CONTI+ oXan™ clean surface hygiene

Surfaces, tools and installation components as well as hand hygiene, especially when performing tasks involving drinking water. Approved by the VAH (German Association for Applied Hygiene) for surface disinfection in medical areas.

CONTI+ oXan™ clean is available as a **ready-to-use solution** in spray bottles. You can also get different packing units with different filling quantities of **concentrate**, which can be mixed with water on site.

### CONTI+ oXan™ fresh room hygiene

Surface and room air disinfection, odour elimination in the direct environment of use.

CONTI+ oXan™ fresh is available as a **ready-to-use solution** in spray bottles as well as in various bag-in-box pack sizes as a **concentrate**, which can be mixed with water on site as needed.

### CONTI+ oXan™ prime pool filter hygiene

Sanitisation of swimming pool filters.

CONTI+ oXan™ prime is available as a **ready-to-use concentrate**.

## Drinking water disinfection, Bag-in-Box



### CONTI+ oXan™ zero disinfectant, 20 litres bag-in-box

For drinking water disinfection according to § 11 of the Drinking Water Ordinance. CONTI+ oXan™ zero for microbiological rehabilitation of drinking water installations and system disinfection according to DVGW W 557.

Conformity with drinking water regulation 2018. Residue-free elimination of microbiological contamination. Cleaning of drinking water installations by abrasive decomposition of biofilm.

Effectiv against bactericidal, fungicidal, spurs, virus, algae.

- pH-neutral **ready-to-use concentrate** with depot effect
- No bacterial resistance
- Pollutant-free and free of dangerous substances
- No zytotoxicity
- No phytotoxicity
- Without solvents, alcohol, aldehydes and fragrances
- Mucosa compatible

**Remark:**

Use biocide safe. Before use always read labeling and product information.

Description	Filling quantity	Article number
CONTI+ oXan™ zero Drinking water disinfection <b>Ready-to-use concentrate</b>	20 litres Bag-in-Box	<b>CONB91200020</b>

## Drinking water disinfection, IBC



### CONTI+ oXan™ zero disinfectant, 640/1000 litres IBC

For drinking water disinfection according to § 11 of the Drinking Water Ordinance. CONTI+ oXan™ zero for microbiological rehabilitation of drinking water installations and system disinfection according to DVGW W 557.

Conformity with drinking water regulation 2018. Residue-free elimination of microbiological contamination. Cleaning of drinking water installations by abrasive decomposition of biofilm.

Effectiv against bactericidal, fungicidal, spurs, virus, algae.

- pH-neutral **ready-to-use concentrate** with depot effect
- No bacterial resistance
- Pollutant-free and free of dangerous substances
- No zytotoxicity
- No phytotoxicity
- Without solvents, alcohol, aldehydes and fragrances
- Mucosa compatible

**Remark:**

Use biocide safe. Before use always read labeling and product information.

Description	Filling quantity	Article number
CONTI+ oXan™ zero Drinking water disinfection <b>Ready-to-use concentrate</b>	640 litres IBC	<b>CONB91300640</b>
	1000 litres IBC	<b>CONB91301000</b>

## Surface disinfection, spray bottle



### CONTI+ oXan™ clean disinfectant, 100/500 ml spray bottle

CONTI+ oXan™ clean for disinfection of surfaces, tools, installation components, equipment and stacking ground as well as hands. Use in the construction and maintenance of drinking water installations. Residue-free removal of microbiological contamination.

Effectiv against bactericidal, fungicidal, spurs, virus, algae.

- pH-neutral **ready-to-use solution** with depot effect
- No bacterial resistance
- Pollutant-free and free of dangerous substances
- No zytotoxicity
- No phytotoxicity
- Without solvents, alcohol, aldehydes and fragrances
- Mucosa compatible

**Remark:**

Use biocide safe. Before use always read labeling and product information.

Description	Filling quantity /Packing units	Article number
CONTI+ oXan™ clean Surface disinfection <b>Ready-to-use solution</b>	100 ml Spray bottle/PU 35 pieces	<b>CONB92100101</b>
	500 ml Spray bottle/PU 12 pieces	<b>CONB92100501</b>

## Surface disinfection, Bag-in-Box



### CONTI+ oXan™ clean disinfectant, 10 litres Bag-in-Box

CONTI+ oXan™ clean for disinfection of surfaces, tools, installation components, equipment and stacking ground as well as hands. Use in the construction and maintenance of drinking water installations. Residue-free removal of microbiological contamination.

Effectiv against bactericidal, fungicidal, spurs, virus, algae.

- pH-neutral **concentrate** with depot effect
- No bacterial resistance
- Pollutant-free and free of dangerous substances
- No zytotoxicity
- No phytotoxicity
- Without solvents, alcohol, aldehydes and fragrances
- Mucosa compatible

**Remark:**

Use biocide safe. Before use always read labeling and product information.

Description	Filling quantity	Article number
CONTI+ oXan™ clean Surface disinfection <b>Concentrate</b>	10 litres Bag-in-Box	<b>CONB92200010</b>

## Surface disinfection, IBC



### CONTI+ oXan™ clean disinfectant, 640/1000 litres IBC

CONTI+ oXan™ clean for disinfection of surfaces, tools, installation components, equipment and stacking ground as well as hands. Use in the construction and maintenance of drinking water installations. Residue-free removal of microbiological contamination.

Effectiv against bactericidal, fungicidal, spurs, virus, algae.

- pH-neutral **concentrate** with depot effect
- No bacterial resistance
- Pollutant-free and free of dangerous substances
- No zytotoxicity
- No phytotoxicity
- Without solvents, alcohol, aldehydes and fragrances
- Mucosa compatible

**Remark:**

Use biocide safe. Before use always read labeling and product information.

Description	Filling quantity	Article number
CONTI+ oXan™ clean Surface disinfection <b>Concentrate</b>	640 litres IBC	<b>CONB92200640</b>
	1000 litres IBC	<b>CONB92201000</b>

## Room air and room conditioning system disinfectant, spray bottle



### CONTI+ oXan™ fresh disinfectant, 100/500 ml spray bottle

For disinfection of room air and room conditioning systems.  
Destruction of fungal spores and germs. Odour elimination and dust removal.  
Residue-free removal of microbiological contamination.

Effectiv against bactericidal, fungicidal, spurs, virus, algae.

- pH-neutral **ready-to-use solution** with depot effect
- No bacterial resistance
- Pollutant-free and free of dangerous substances
- No zytotoxicity
- No phytotoxicity
- Without solvents, alcohol, aldehydes and fragrances
- Mucosa compatible

**Remark:**

Use biocide safe. Before use always read labeling and product information.

Description	Filling quantity /Packing units	Article number
CONTI+ oXan™ fresh Room air disinfectant <b>Ready-to-use solution</b>	100 ml Spray bottle/PU 35 pieces	<b>CONB93100101</b>
	500 ml Spray bottle/PU 12 pieces	<b>CONB93100501</b>

## Room air and room conditioning system disinfectant, Bag-in-Box



## CONTI+ oXan™ fresh disinfectant, 5/10 litres Bag-in-Box

For disinfection of room air and room conditioning systems.  
Destruction of fungal spores and germs. Odour elimination and dust removal.  
Residue-free removal of microbiological contamination.

Effectiv against bactericidal, fungicidal, spurs, virus, algae.

- pH-neutral **concentrate** with depot effect
- No bacterial resistance
- Pollutant-free and free of dangerous substances
- No zytotoxicity
- No phytotoxicity
- Without solvents, alcohol, aldehydes and fragrances
- Mucosa compatible

**Remark:**

Use biocide safe. Before use always read labeling and product information.

Description	Filling quantity	Article number
CONTI+ oXan™ fresh Room air disinfectant <b>Concentrate</b>	5 litres Bag-in-Box	<b>CONB93200005</b>
	10 litres Bag-in-Box	<b>CONB93200010</b>



CONTI 



## Swimming pool filter disinfection, Bag-in-Box



## CONTI+ oXan™ prime disinfectant, 20 litres Bag-in-Box

For disinfection of swimming pool filters.  
Residue-free removal of microbiological contamination.

Effectiv against bactericidal, fungicidal, spurs, virus, algae.

- pH-neutral **ready-to-use concentrate** with depot effect
- No bacterial resistance
- Pollutant-free and free of dangerous substances
- No zytotoxicity
- No phytotoxicity
- Without solvents, alcohol, aldehydes and fragrances
- Mucosa compatible

**Remark:**

Use biocide safe. Before use always read labeling and product information.

Description	Filling quantity	Article number
CONTI+ oXan™ prime Swimming pool filter disinfection <b>Ready-to-use concentrate</b>	20 litres Bag-in-Box	<b>CONB94200020</b>

## Swimming pool filter disinfection, IBC



### CONTI+ oXan™ prime disinfectant, 640/1000 litres IBC

For disinfection of swimming pool filters.  
Residue-free removal of microbiological contamination.

Effectiv against bactericidal, fungicidal, spurs, virus, algae.

- pH-neutral **ready-to-use concentrate** with depot effect
- No bacterial resistance
- Pollutant-free and free of dangerous substances
- No zytotoxicity
- No phytotoxicity
- Without solvents, alcohol, aldehydes and fragrances
- Mucosa compatible

**Remark:**

Use biocide safe. Before use always read labeling and product information.

Description	Filling quantity	Article number
CONTI+ oXan™ prime Swimming pool filter disinfection <b>Ready-to-use concentrate</b>	640 litres IBC	<b>CONB94300640</b>
	1000 litres IBC	<b>CONB94301000</b>

## Dosing pump



## CONTI+ Dosing pump

Magnetic diaphragm dosing pump, mounted on a plastic dosing container with suction line, injection point and hose. Dosing of CONTI+ oXan™ zero disinfectant in drinking water installations in combination with CONTI+ connection set dosing system.

**Technical data:**

Display:	coloured
Delivery rate:	9 l/h at 6 bar – 10 l/h at 3 bar
Power adjustment:	stroke frequency adjustable 0–180 strokes/min
Material dosing head and valves:	PVC
Control unit:	230 V/AC, 50/60 Hz
Electrical connection:	1.8 m mains cable with plug, Europe (at 230 V/AC)
Suction valve DN4/discharge valve DN4:	double ball ceramic/PVDF/FPM (ball/seat/gasket)
Material suction connection:	PVC
Suction connection:	hose clamp connection set 4/6, 6/9 and 6/12
Material pressure connection:	PVC
Pressure connection:	hose clamp connection set 4/6, 6/9 and 6/12
Dosing head arrangement:	Floor mounting
Suction line:	Type SL-2 DN6 6/9 PVC with PVC hose 2.5 m
Injection point:	Type R DN4 d1-G1/2-d2-6/9 PVC/FPM
Hose:	6/9 PE, length 5 m (P max. 10 bar)
Colour:	RAL 5012 light blue and black
Container:	35 l, closed, with adapter for container mounting

## Dimensions container

Size/litre	Width	Height	Depth
35	approx. 320 mm	approx. 520 mm	approx. 320 mm
75	approx. 460 mm	approx. 645 mm	approx. 460 mm
100	approx. 460 mm	approx. 805 mm	approx. 460 mm
200	approx. 600 mm	approx. 900 mm	approx. 600 mm
300	approx. 670 mm	approx. 1050 mm	approx. 670 mm

## Dimensions container with pump

Size/litre	Width	Height	Depth
35	approx. 320 mm	approx. 734 mm	approx. 320 mm
75	approx. 460 mm	approx. 859 mm	approx. 460 mm
100	approx. 460 mm	approx. 1019 mm	approx. 460 mm
200	approx. 600 mm	approx. 1114 mm	approx. 600 mm
300	approx. 670 mm	approx. 1264 mm	approx. 670 mm

Description	Filling volume	Article number
CONTI+ Dosing pump for Drinking water disinfection	35 litres	<b>CONB11109035</b>
	75 litres	<b>CONB11109075</b>
	100 litres	<b>CONB11109100</b>
	200 litres	<b>CONB11109200</b>
	300 litres	<b>CONB11109300</b>

## Connection set for dosing system

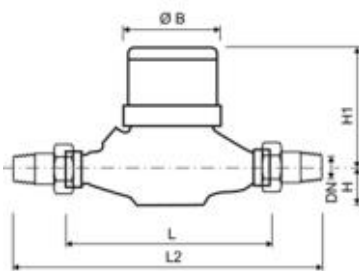


### CONTI+ Connection set for dosing system

Connection set for CONTI+ dosing system for dosing CONTI+ oXan™ zero in Drinking water installations. Horizontal mounting position

#### Technical data\_

- DN20 Water meter DP 405-5 DN20 G1 Ms  
1 l/pulse Q max. = 5000 l/h readable  
T-piece reduced R1 – R 1/2 – R1 PN25  
Socket M12x1 A-coded  
Screw terminal connection 4-pole
- DN25 Water meter DP 405-12 DN25 G1 1/4 Ms  
1 l/pulse Q max. = 7880 l/h readable  
T-piece reduced R1 1/4 – R1/2 – R1 1/4 PN25  
Socket M12x1 A-coded  
Screw terminal connection 4-pole
- DN32 Water meter DP 405-5 DN32  
1 l/pulse Q max. = 10.000 l/h readable  
T-piece reduced R1 1/2 – R1/2 – R1 1/2 PN25  
Socket M12x1 A-coded  
Screw terminal connection 4-pole
- DN40 Water meter DP 405-20 DN40 G2 Ms  
1 l/pulse Q max. = 20.000 l/h readable  
T-piece reduced R2 – R1/2 – R2 PN25  
Socket M12x1 A-coded  
Screw terminal connection 4-pole
- DN50 Water meter DP 405-30 DN50 G2 1/2 Ms  
1 l/pulse Q max. = 31.250 l/h readable  
T-piece reduced R2 1/2 – R1 – R2 1/2 PN25  
Reduction nipple R 1 (AG) – Rp 1/2 (IG)  
Socket M12x1 A-coded  
Screw terminal connection 4-pole



Nominal Width (Dimensions in mm)	DN	20	25	40	50
Overall length (DIN ISO 4064)	L	190	260	300	270
Overall length with screw connection	L2	288	378	438	–
Height	H	35	45	50	52
Height 1	H1	120	125	140	142
Diameter Ø	B	96	102	137	137

Description	Connection	Article number
CONTI+ Connection set Dosing system	DN20	<b>CONB25204050</b>
	DN25	<b>CONB25254050</b>
	DN32	<b>CONB25324050</b>
	DN40	<b>CONB25404050</b>
	DN50	<b>CONB25504050</b>

## Hand truck for mobile dosing unit



## CONTI+ Hand truck for dosing system

Hand truck with pre-mounted spill protection container for mobilizing the CONTI+ dosing system.

- Load capacity: 300 kg
- Pneumatic tyres
- Safety handles and sheet steel shovel
- Tubular steel frame with skids

Dimensions hand truck with pre-mounted spill protection:

Size/litre	Width	Height	Depth
35	approx. 580 mm	approx. 1300 mm	approx. 1012 mm
75	approx. 580 mm	approx. 1300 mm	approx. 1102 mm
100	approx. 580 mm	approx. 1300 mm	approx. 1102 mm
200	approx. 640 mm	approx. 1300 mm	approx. 1240 mm
300	approx. 758 mm	approx. 1300 mm	approx. 1358 mm



Example: Application

Description	Protection container	Article number
CONTI+ Hand truck for dosing system	35 litres	<b>CONB26420035</b>
	75 litres	<b>CONB26500075</b>
	100 litres	<b>CONB26500100</b>
	200 litres	<b>CONB26650200</b>
	300 litres	<b>CONB26770300</b>

## Mobile dosing unit, currentless



**Note:**

Bag-in-Box not in scope of delivery

CONTI+ Mobile dosing unit, currentless, with connecting set 0,3-6 bar

Currentless proportional dosing of CONTI+ oXan™ zero in drinking water installations.

- Hand truck with three hard rubber wheels each, also for coping with steps
- Electroless dosing pump
- Connection set with flexible hoses and tap
- Unit can be completely dismantled for transport

**Technical data:**

hydraulic differential piston engine, self-priming

Dosing range:	0.03-25 %
Pressure range:	0.3-6 bar
Water flow rate:	10-3,000 l/h
Dosing feed:	0.003-300 l/h
Pressure loss:	0.2-2.3 bar
Drive water temperature (max.):	40 °C
Drive water temperature (min.):	5 °C
Suction height (max.):	4 m


Description

CONTI+ Mobile dosing unit


Article number

**CONB13036000**

## Redox measuring unit, with temperature measurement

	<p>CONTI+ Redox and pH measuring unit, with temperature measurement</p> <p>Redox and pH measuring unit with temperature measurement for the determination of redox potential, pH value and water temperature</p> <ul style="list-style-type: none"> <li>• LC Display with Battery status</li> <li>• Hold-button for value fixing</li> <li>• Auto-off funktion (after 8 min)</li> <li>• Waterproof and swimmable</li> <li>• Factory calibration, changeable electrode</li> </ul> <p><b>Technical data:</b></p> <p>Redox potential measuring range: ± 1000 mV                  Redox potential measuring resolution: 1 mV                  Redox potential accuracy: ± 2 mV                  Temperature measuring range: -5,0 to 60 °C                  Temperature measuring resolution: 0,1 °C                  Temperature accuracy: ± 0,5 °C                  Battery type: 1,5 V                  Dimensions (WxHxD): 40x163x26 mm                  Weight: 0,1 kg</p> <p><b>Note:</b>                  Measuring unit may need to be calibrated before use.</p>	
Description	Version	Article number
CONTI+ Redox measuring unt	with temperature measurement	<b>CONB2100010</b>

## Photometer

	<p>CONTI+ photometer for the determination of DPD, pH value</p> <p>CONTI+ photometer for the determination of free active chlorine (DPD measurement), bound or total chlorine and pH value of drinking and swimming pool water.</p> <p>Bluetooth 4.0 for wireless synchronisation of measurement results with computer or smartphone via software or app.</p> <p>Consisting of:</p> <ul style="list-style-type: none"> <li>• Storage box, waterproof</li> <li>• Photometer, light protection cap</li> <li>• Stirring rod, syringe and 3 x AAA batteries</li> <li>• Reagent tablets 30 x DPD N° 1</li> <li>• 10 x DPD N° 3, 20 x Phenol Red, 10 x CYA-Test</li> <li>• 10 x Alkalinity-M</li> </ul> <p><b>Technical data:</b></p> <p>Temperatur Messbereich: 5–45 °C                  Dimensions (WxHxD): 70x260x130 mm                  Schutzart: IP68</p>	
Description	Version	Article number
CONTI+ Photometer	digital	<b>CONB2100020</b>




## Packaging units CONTI+ oXan™ Disinfectants


Packaging	Pieces per Box	Boxes per Layer	Layer per Palette	Pieces per Palette
100 ml Spray bottle	35	12	6	2520
500 ml Spray bottle	12	9	4	432

Packaging	Pieces per layer	Layers per pallet	Pieces per pallet
5 litres Bag-in-Box	24	4	96
10 litres Bag-in-Box	24	2	48
20 litres Bag-in-Box	12	1	12
640 litres IBC	–	–	1
1000 litres IBC	–	–	1

## Car fogging unit

	<p>CONTI+ Car fogging unit, adjustable nozzle</p> <p>For disinfection of vehicle cabins, closed freight hold and rooms up to 100 cbm.</p> <ul style="list-style-type: none"> <li>• Handle with ball valve for switching off compressed air</li> <li>• Rack can be hooked into the vehicle window or used as a stand</li> <li>• Disinfectant container</li> <li>• Compressed air hose, adjustable nozzle</li> </ul> <p><b>Technical data:</b></p> <p>Operating pressure: 2.5 bar            Tank size: 1 l            Flow rate (approx.): 80 ml/5 min            Air consumption spray (approx.): 100 l/min            Compressed-air hoses connection: 7.2 NW</p>	
Description	Version	Article number
CONTI+ Car fogging device for room air disinfectant solution	adjustable nozzle	<b>CONB22000430</b>

## Cold fogger for room air disinfectant, 3 nozzles

	<p>CONTI+ Cold fogger for room air disinfectant</p> <p>ULV fogger for disinfectant for room hygiene - 3 nozzles.</p> <ul style="list-style-type: none"> <li>• Ultra-low-volume Aerosol fogger</li> <li>• Plug-and-Play-system</li> <li>• 3 nozzles</li> <li>• With integrated dosing t-piece</li> <li>• Droplet size adjustable: 5-50 µm</li> <li>• Robust construction</li> <li>• Main supply 230 V</li> </ul> <p><b>Technical data:</b></p> <p>Throw distance (max.): approx. 10 m            Container size: 5 l            Flow rate (max.): 19 l/h            Net weight: 3 kg</p>	
Description	Version	Article number
CONTI+ cold fogger for room air disinfectant solution	3 nozzles	<b>CONB22031019</b>

## Drinking water hygiene test – bacteria, fungi and yeasts



Drinking water hygiene test, total germ count and detection,  
1 piece/10 pieces

Quantitative total microbial count CFU of bacteria, fungi and yeasts on the basis of comparative images.

- Suitable for liquids, surfaces and powder
- Lidded container with integrated immersion nutrient trays
- Yellow side for quantitative determination of total bacterial count
- Pink side for the detection of fungi and yeasts

**Note:**

The drinking water hygiene test is not an accredited procedure.

Description	Application	Quantity	Article number
Drinking water hygiene test	Total microbial count and detection	1 piece	<b>CONB37001301</b>
		10 pieces	<b>CONB37001311</b>





## Information

Index of article numbers.....	456
General terms and conditions .....	462

# Index of article numbers

Article number	Page	Article number	Page	Article number	Page
100.000.11	251	110.270.00	296	120.116.11	241
100.001.11	251	110.270.01	296	120.117.11	241
100.010.11	251	110.271.00	297	120.120.11	244
100.011.11	251	110.271.01	297	120.121.11	244
100.016.11	251	110.280.00	296	120.128.11	244
100.017.11	251	110.280.01	296	120.129.11	244
100.020.11	252	110.281.00	297	120.130.11	244
100.021.11	252	110.281.01	297	120.131.11	244
100.030.11	252	110.305.11	298	120.136.11	244
100.031.11	252	110.306.11	298	120.137.11	244
100.036.11	252	110.307.11	299	120.140.11	240
100.037.11	252	110.308.11	299	120.148.11	240
100.040.11	250	110.405.11	114	120.150.11	240
100.050.11	250	110.406.11	115	120.156.11	240
100.056.11	250	120.000.01	243	120.310.11	286
100.060.11	251	120.000.11	241	120.311.11	286
100.061.11	251	120.000.22	243	120.312.11	286
100.100.11	251	120.000.44	243	120.320.11	286
100.101.11	251	120.001.11	241	120.321.11	286
100.110.11	251	120.008.11	241	120.322.11	286
100.111.11	251	120.009.11	241	120.330.11	286
100.116.11	251	120.010.11	241	120.331.11	286
100.117.11	251	120.011.11	241	120.332.11	286
100.120.11	252	120.016.00	243	120.340.11	286
100.121.11	252	120.016.11	241	120.341.11	286
100.130.11	252	120.016.22	243	120.342.11	286
100.131.11	252	120.016.44	243	120.370.11	287
100.136.11	252	120.017.11	241	120.371.11	287
100.137.11	252	120.020.11	244	120.372.11	287
100.140.11	250	120.021.11	244	120.380.11	287
100.150.11	250	120.028.11	244	120.381.11	287
100.156.11	250	120.029.11	244	120.382.11	287
100.160.11	251	120.030.11	244	120.470.11	287
100.161.11	251	120.031.11	244	120.471.11	287
100.310.00	289	120.036.11	244	120.472.11	287
100.311.00	289	120.037.11	244	120.480.11	287
100.312.00	289	120.040.01	242	120.481.11	287
100.320.00	289	120.040.11	240	120.482.11	287
100.321.00	289	120.040.22	242	121.010.11	245
100.322.00	289	120.040.44	242	121.011.11	245
100.330.00	289	120.048.11	240	121.028.11	246
100.331.00	289	120.050.11	240	121.029.11	246
100.332.00	289	120.056.00	242	121.038.11	246
100.340.00	289	120.056.11	240	121.039.11	246
100.341.00	289	120.056.22	242	121.110.11	245
100.342.00	289	120.056.44	242	121.111.11	245
110.230.00	295	120.071.11	265	121.128.11	246
110.230.01	295	120.074.11	265	121.129.11	246
110.240.00	295	120.076.11	265	121.138.11	246
110.240.01	295	120.081.11	264	121.139.11	246
110.250.00	296	120.084.11	264	131.000.11	261
110.250.01	296	120.086.11	264	131.010.11	261
110.251.00	297	120.100.11	241	131.016.11	261
110.251.01	297	120.101.11	241	131.040.11	260
110.260.00	296	120.108.11	241	131.050.11	260
110.260.01	296	120.109.11	241	131.056.11	260
110.261.00	297	120.110.11	241	131.800.11CO	309
110.261.01	297	120.111.11	241	131.810.11CO	309

Article number	Page	Article number	Page	Article number	Page
131.816.11CO	309	164.056.11	285	550.037.32	330
133.040.11	263	200.027.00	288	550.037.32	361
133.050.11	263	201.000.01	354	550.041.00	164
133.056.11	263	201.010.01	354	550.041.00	326
150.000.11	257	201.016.01	354	550.041.00	360
150.010.11	257	220.000.33	355	550.042.00	166
150.016.11	257	220.000.43	355	550.042.00	329
150.020.11	258	220.010.33	355	550.043.00	165
150.030.11	258	220.010.43	355	550.043.00	329
150.040.11	256	220.016.33	355	550.044.00	166
150.050.11	256	220.016.43	355	550.044.00	330
150.056.11	256	220.022.00	356	550.044.00	362
150.101.11	257	220.027.00	288	550.044.12	166
150.111.11	257	220.060.00	284	550.044.12	329
155.010.11	255	220.100.11	358	550.044.12	362
161.000.11	225	220.108.11	358	550.044.32	166
161.010.11	225	230.010.00	357	550.044.32	329
161.016.11	225	230.022.00	356	550.044.32	362
161.040.11	224	260.000.31	352	550.045.00	165
161.050.11	224	260.000.71	353	550.045.00	326
161.056.11	224	260.010.31	352	550.045.00	360
162.000.00	232	260.010.71	353	550.046.30	330
162.000.11	227	260.016.31	352	550.046.30	361
162.000.22	232	260.016.71	353	550.067.11	332
162.000.44	232	391.058.00	233	550.069.11	332
162.001.11	227	550.000.05	328	550.071.00	262
162.008.11	227	550.001.11	334	550.095.00	333
162.009.11	227	550.002.11	334	CONB11109035	446
162.010.11	227	550.003.11	334	CONB11109075	446
162.011.11	227	550.004.11	334	CONB11109100	446
162.016.00	232	550.005.11	334	CONB11109200	446
162.016.11	227	550.008.11	334	CONB11109300	446
162.016.22	232	550.010.00	333	CONB13036000	449
162.016.44	232	550.010.01	333	CONB21000010	450
162.017.11	227	550.010.02	333	CONB21000020	450
162.040.00	231	550.010.03	333	CONB22000430	452
162.040.11	226	550.010.04	333	CONB22031019	452
162.040.22	231	550.010.05	333	CONB25204050	447
162.040.44	231	550.011.11	359	CONB25254050	447
162.048.11	226	550.012.11	359	CONB25324050	447
162.050.11	226	550.013.11	359	CONB25404050	447
162.056.00	231	550.014.11	359	CONB25504050	447
162.056.11	226	550.015.11	359	CONB26420035	448
162.056.22	231	550.016.11	332	CONB26500075	448
162.056.44	231	550.020.11	359	CONB26500100	448
162.068.11	227	550.021.00	359	CONB26650200	448
162.069.11	227	550.024.00	288	CONB26770300	448
162.078.11	226	550.026.00	165	CONB37001301	453
162.108.11	228	550.026.00	326	CONB37001311	453
162.109.11	228	550.030.01	327	CONB91200020	436
163.000.11	229	550.031.00	327	CONB91300640	437
163.008.11	229	550.032.00	327	CONB91301000	437
163.010.11	229	550.034.11	248	CONB92100101	438
163.016.11	229	550.034.12	248	CONB92100501	438
163.068.11	229	550.037.03	330	CONB92200010	439
163.108.11	230	550.037.03	361	CONB92200640	440
164.040.11	285	550.037.12	330	CONB92201000	440
164.048.11	285	550.037.12	361	CONB93100101	441

# Index of article numbers

Article number	Page	Article number	Page	Article number	Page
CONB93100501 .....	441	CONE0212211230 .....	63	CONE2115211100 .....	85
CONB93200005 .....	442	CONE0212211240 .....	63	CONE2115211140 .....	85
CONB93200010 .....	442	CONE0212211336 .....	63	CONE2115211200 .....	85
CONB94200020 .....	444	CONE0212211360 .....	63	CONE2115211210 .....	85
CONB94300640 .....	445	CONE0231211100 .....	65	CONE2115211230 .....	85
CONB94301000 .....	445	CONE0231211140 .....	65	CONE2115211240 .....	85
CONE0110173100 .....	77	CONE0231211200 .....	65	CONE2115211336 .....	85
CONE0110173200 .....	77	CONE0231211210 .....	65	CONE2115211360 .....	85
CONE0111211100 .....	63	CONE0231211230 .....	65	CONE2116211100 .....	91
CONE0111211140 .....	63	CONE0231211240 .....	65	CONE2116211140 .....	91
CONE0111211150 .....	69	CONE0231211336 .....	65	CONE2116211200 .....	91
CONE0111211200 .....	63	CONE0231211360 .....	65	CONE2116211210 .....	91
CONE0111211210 .....	63	CONE0232211100 .....	65	CONE2116211230 .....	91
CONE0111211230 .....	63	CONE0232211140 .....	65	CONE2116211240 .....	91
CONE0111211240 .....	63	CONE0232211200 .....	65	CONE2116211336 .....	91
CONE0111211250 .....	69	CONE0232211210 .....	65	CONE2116211360 .....	91
CONE0111211336 .....	63	CONE0232211230 .....	65	CONE2117211100 .....	95
CONE0111211356 .....	69	CONE0232211240 .....	65	CONE2117211140 .....	95
CONE0111211360 .....	63	CONE0232211336 .....	65	CONE2117211200 .....	95
CONE0112211100 .....	63	CONE0232211360 .....	65	CONE2117211210 .....	95
CONE0112211140 .....	63	CONE241321270 .....	105	CONE2117211230 .....	95
CONE0112211200 .....	63	CONE241521270 .....	107	CONE2117211240 .....	95
CONE0112211210 .....	63	CONE241621270 .....	109	CONE2117211336 .....	95
CONE0112211230 .....	63	CONE241721270 .....	111	CONE2117211360 .....	95
CONE0112211240 .....	63	CONE0711211270 .....	79	CONE2150171100 .....	103
CONE0112211336 .....	63	CONE0712211270 .....	79	CONE2150171200 .....	103
CONE0112211360 .....	63	CONE0731211270 .....	81	CONE2150181100 .....	103
CONE0131211100 .....	65	CONE0732211270 .....	81	CONE2154211100 .....	89
CONE0131211140 .....	65	CONE0811211270 .....	79	CONE2154211140 .....	89
CONE0131211200 .....	65	CONE0812211270 .....	79	CONE2154211200 .....	89
CONE0131211210 .....	65	CONE0831211270 .....	81	CONE2154211210 .....	89
CONE0131211230 .....	65	CONE0832211270 .....	81	CONE2154211230 .....	89
CONE0131211240 .....	65	CONE1111219500 .....	61	CONE2154211240 .....	89
CONE0131211336 .....	65	CONE1111219568 .....	61	CONE2154211336 .....	89
CONE0131211360 .....	65	CONE1111219580 .....	61	CONE2154211360 .....	89
CONE0132211100 .....	65	CONE1211219500 .....	61	CONE2156211100 .....	93
CONE0132211140 .....	65	CONE1211219568 .....	61	CONE2156211140 .....	93
CONE0132211200 .....	65	CONE1211219580 .....	61	CONE2156211200 .....	93
CONE0132211210 .....	65	CONE2110173100 .....	99	CONE2156211210 .....	93
CONE0132211230 .....	65	CONE2110173200 .....	99	CONE2156211230 .....	93
CONE0132211240 .....	65	CONE2113211100 .....	83	CONE2156211240 .....	93
CONE0132211336 .....	65	CONE2113211140 .....	83	CONE2156211336 .....	93
CONE0132211360 .....	65	CONE2113211200 .....	83	CONE2156211360 .....	93
CONE0211211100 .....	63	CONE2113211210 .....	83	CONE2157211100 .....	97
CONE0211211140 .....	63	CONE2113211230 .....	83	CONE2157211140 .....	97
CONE0211211150 .....	69	CONE2113211240 .....	83	CONE2157211200 .....	97
CONE0211211200 .....	63	CONE2113211336 .....	83	CONE2157211210 .....	97
CONE0211211210 .....	63	CONE2113211360 .....	83	CONE2157211230 .....	97
CONE0211211230 .....	63	CONE2114211100 .....	87	CONE2157211240 .....	97
CONE0211211240 .....	63	CONE2114211140 .....	87	CONE2157211336 .....	97
CONE0211211250 .....	69	CONE2114211200 .....	87	CONE2157211360 .....	97
CONE0211211336 .....	63	CONE2114211210 .....	87	CONE3110173100 .....	113
CONE0211211356 .....	69	CONE2114211230 .....	87	CONE3110173200 .....	113
CONE0211211360 .....	63	CONE2114211240 .....	87	CONE3518178100 .....	291
CONE0212211100 .....	63	CONE2114211336 .....	87	CONE3518178120 .....	293
CONE0212211140 .....	63	CONE2114211360 .....	87	CONE3518178200 .....	291
CONE0212211200 .....	63	CONE2115133100 .....	101	CONE3518178220 .....	293
CONE0212211210 .....	63	CONE2115133200 .....	101	CONE3519178100 .....	292



Article number	Page	Article number	Page	Article number	Page
CONE3519178120	294	CONE8150208100	239	CONM2113214020	132
CONE3519178200	292	CONE8150208200	239	CONM2113215000	134
CONE3519178220	294	CONE8150308538	237	CONM2113215020	134
CONE4111221109	73	CONH01131000120	201	CONM2113216000	136
CONE4111221209	73	CONH02130000000	202	CONM2113216020	136
CONE4131221109	75	CONH03130000001	202	CONM2114214000	138
CONE4131221209	75	CONH04131000150	196	CONM2114214020	138
CONE4132221109	75	CONH05000000000	206	CONM2114216000	140
CONE4132221209	75	CONH05000001000	206	CONM2114216020	140
CONE5118221100	119	CONH14131000100	196	CONM2115214000	133
CONE5218221100	119	CONH14131000200	197	CONM2115214020	133
CONE5318221100	119	CONH14131000250	197	CONM2115215000	135
CONE5418123100	117	CONH14131000300	198	CONM2115215020	135
CONE5518123100	117	CONH14131000400	198	CONM2115216000	137
CONE5618123100	117	CONH14133000100	199	CONM2115216020	137
CONE7116211100	275	CONH14133000200	199	CONM2116214000	142
CONE7116211200	275	CONH14133000250	200	CONM2116214020	142
CONE7116211336	275	CONH14133000300	200	CONM2116216000	144
CONE7116211360	275	CONH14133000400	201	CONM2116216020	144
CONE7116218100	267	CONH21136000000	208	CONM2117214000	146
CONE7116218200	267	CONH21137000000	209	CONM2117214020	146
CONE7116218336	267	CONH22136000150	210	CONM2117216000	148
CONE7116218360	267	CONH22136000240	210	CONM2117216020	148
CONE7117211100	279	CONH22137000150	211	CONM2150174000	150
CONE7117211200	279	CONH22137000240	211	CONM2150184000	150
CONE7117211336	279	CONM0111214000	125	CONM2154214000	139
CONE7117211360	279	CONM0111214002	125	CONM2154214020	139
CONE7117218100	271	CONM0111216000	129	CONM2154216000	141
CONE7117218200	271	CONM0111216002	129	CONM2154216020	141
CONE7117218336	271	CONM0112214000	125	CONM2156214000	143
CONE7117218360	271	CONM0112214002	125	CONM2156214020	143
CONE7156211100	277	CONM0112216000	129	CONM2156216000	145
CONE7156211200	277	CONM0112216002	129	CONM2156216020	145
CONE7156211336	277	CONM0131214000	127	CONM2157214000	147
CONE7156211360	277	CONM0131214002	127	CONM2157214020	147
CONE7156218100	269	CONM0131216000	131	CONM2157216000	149
CONE7156218200	269	CONM0131216002	131	CONM2157216020	149
CONE7156218336	269	CONM0132214000	127	CONM3364100000	316
CONE7156218360	269	CONM0132214002	127	CONM3367100000	318
CONE7157211100	281	CONM0132216000	131	CONM4150216000	155
CONE7157211200	281	CONM0132216002	131	CONM4150414000	153
CONE7157211336	281	CONM0211214000	125	CONM4159214000	154
CONE7157211360	281	CONM0211214002	125	CONM4159414000	152
CONE7157218100	273	CONM0211216000	129	CONM4664100000	317
CONE7157218200	273	CONM0211216002	129	CONM4667100000	319
CONE7157218336	273	CONM0212214000	125	CONM8110104000	312
CONE7157218360	273	CONM0212214002	125	CONM8110204000	314
CONE7312201200	301	CONM0212216000	129	CONM8150104000	313
CONE7312201336	301	CONM0212216002	129	CONM8150204000	315
CONE7312201360	301	CONM0231214000	127	CONM91640000000	216
CONE7313201200	303	CONM0231214002	127	CONM91640000000	320
CONE7313201336	303	CONM0231216000	131	CONM91640001000	217
CONE7313201360	303	CONM0231216002	131	CONM91640001000	321
CONE7352218100	305	CONM0232214000	127	CONM92604000015	214
CONE7353218100	305	CONM0232214002	127	CONM92604000020	214
CONE7354218100	305	CONM0232216000	131	CONM92604000025	214
CONE7355218100	305	CONM0232216002	131	CONM92604000032	214
CONE7356218100	305	CONM2113214000	132	CONM92604000040	214

# Index of article numbers

Article number	Page	Article number	Page	Article number	Page
CONM92604001015.....	215	CONO214641 .....	175	CONO871400 .....	344
CONM92604001020.....	215	CONO214641 .....	331	CONO872000 .....	344
CONM92604001025.....	215	CONO220000 .....	29	CONO873000 .....	344
CONO010000 .....	184	CONO220000 .....	177	CONO874000 .....	345
CONO010010 .....	184	CONO260000 .....	35	CONO875000 .....	344
CONO010040 .....	190	CONO260000 .....	175	CONO876000 .....	344
CONO010060 .....	190	CONO260000 .....	331	CONO877000 .....	345
CONO010100 .....	190	CONO310000 .....	174	CONR0111 .....	159
CONO010888 .....	389	CONO320000 .....	176	CONR0112 .....	158
CONO020000 .....	188	CONO321000 .....	173	CONR1112 .....	158
CONO020010 .....	188	CONO322000 .....	173	CONR2112 .....	159
CONO020040 .....	191	CONO330000 .....	174	CONR3111 .....	160
CONO020060 .....	191	CONO330010 .....	174	CONR3121 .....	160
CONO020100 .....	191	CONO410000 .....	176	CONR4111 .....	161
CONO030000 .....	189	CONO410010 .....	176	CONR5112 .....	282
CONO030010 .....	189	CONO510000 .....	163	CONS11551000000 .....	364
CONO040000 .....	192	CONO511000 .....	162	CONT01211210415 .....	417
CONO040010 .....	192	CONO512000 .....	163	CONT01212200420 .....	418
CONO050000 .....	185	CONO513000 .....	164	CONT01221210480 .....	415
CONO050010 .....	185	CONO580000 .....	121	CONT01221210530 .....	416
CONO051000 .....	185	CONO581000 .....	162	CONT02121130305 .....	419
CONO051010 .....	185	CONO610000 .....	177	CONT05211210310 .....	426
CONO060000 .....	186	CONO650000 .....	120	CONT05211210330 .....	425
CONO060010 .....	186	CONO651000 .....	120	CONT05211210450 .....	424
CONO061000 .....	187	CONO660000 .....	179	CONT05221210390 .....	423
CONO061010 .....	187	CONO661000 .....	179	CONT07211211201 .....	420
CONO070000 .....	203	CONO670010 .....	180	CONT07211211801 .....	421
CONO090000 .....	193	CONO680000 .....	180	CONT08200010500 .....	428
CONO090450 .....	204	CONO681000 .....	180	CONT08230010750 .....	429
CONO091000 .....	203	CONO690000 .....	178	CONT09200010000 .....	347
CONO091450 .....	204	CONO690100 .....	181	CONT09200010383 .....	422
CONO092000 .....	193	CONO690100 .....	335	CONT09300010000 .....	347
CONO092200 .....	205	CONO690100 .....	363	CONT12200010000 .....	409
CONO093000 .....	177	CONO690200 .....	181	CONT12200010020 .....	409
CONO094000 .....	193	CONO690200 .....	335	CONT12300010000 .....	409
CONO110888 .....	389	CONO690200 .....	363	CONT12300010010 .....	409
CONO120888 .....	389	CONO690300 .....	181	CONT13200710277 .....	371
CONO131040 .....	170	CONO690300 .....	335	CONT13200710278 .....	371
CONO131045 .....	171	CONO690300 .....	363	CONT13200710285 .....	372
CONO131080 .....	172	CONO691000 .....	178	CONT13200710287 .....	372
CONO138100 .....	168	CONO710330 .....	427	CONT13200710289 .....	373
CONO138200 .....	169	CONO710450 .....	427	CONT13200710655 .....	376
CONO138299 .....	169	CONO720000 .....	422	CONT13200710656 .....	377
CONO138299 .....	170	CONO731200 .....	422	CONT13206010000 .....	409
CONO138299 .....	172	CONO731800 .....	422	CONT13208010000 .....	409
CONO141000 .....	27	CONO740000 .....	398	CONT13306010000 .....	409
CONO144918 .....	28	CONO740000 .....	413	CONT13308010000 .....	409
CONO151000 .....	26	CONO741000 .....	413	CONT13500713250 .....	385
CONO210000 .....	29	CONO810000 .....	333	CONT13500713350 .....	382
CONO210000 .....	175	CONO820170 .....	282	CONT13500713370 .....	382
CONO210000 .....	331	CONO820170 .....	304	CONT13600713255 .....	385
CONO210012 .....	29	CONO820220 .....	282	CONT13600713355 .....	382
CONO210012 .....	175	CONO820220 .....	304	CONT13600713375 .....	382
CONO210012 .....	331	CONO870001 .....	345	CONT13900713260 .....	385
CONO211012 .....	29	CONO870010 .....	345	CONT13900713360 .....	382
CONO211012 .....	175	CONO871000 .....	344	CONT13900713380 .....	382
CONO211012 .....	331	CONO871200 .....	345	CONT14200010000 .....	410
CONO214641 .....	29	CONO871300 .....	345	CONT14200010100 .....	410

Article number	Page	Article number	Page	Article number	Page
CONT14300010000	410	CONT18400000640	401	CONW6003500	346
CONT14300010100	410	CONT18500000640	401	CONW6003501	346
CONT16200010000	400	CONT18570013300	383	CONW6003502	346
CONT16200030000	400	CONT18570013320	383	CONW2111110500	340
CONT16200040130	399	CONT18670013305	383	CONW2111110700	340
CONT16200040461	398	CONT18670013325	383	CONW2111110800	340
CONT16200050000	400	CONT18970013310	383	CONW2111110900	340
CONT16200710286	369	CONT18970013330	383	CONW2111111000	340
CONT16570013270	379	CONT19200041060	398	CONW2111111100	340
CONT16670013275	379	CONT21100810290	369	CONW2111111200	340
CONT16970013280	379	CONT21200810000	393	CONW2111111400	340
CONT17200710150	402	CONT21200810247	395	CONW2111111600	340
CONT17200710296	370	CONT21200810280	369	CONW21111120500	342
CONT17200710297	370	CONT21200810281	368	CONW2111120700	342
CONT17200710298	370	CONT21200810288	368	CONW2111120800	342
CONT17200710305	402	CONT21200850244	395	CONW2111120900	342
CONT17200731090	403	CONT21206830370	390	CONW2111121000	342
CONT17200731149	403	CONT21206840372	390	CONW2111121100	342
CONT17200810282	370	CONT21300810274	394	CONW2111121200	342
CONT17200810295	370	CONT21500810246	395	CONW2111121400	342
CONT17200810846	404	CONT21500810261	393	CONW2111121600	342
CONT17200810847	404	CONT21500810270	394	CONW2111210500	341
CONT17206830376	391	CONT21500810272	394	CONW2111210700	341
CONT17206830380	391	CONT21500813000	378	CONW2111210800	341
CONT17206840378	391	CONT21600813006	378	CONW2111210900	341
CONT17206840382	391	CONT21900810291	369	CONW2111211000	341
CONT17300710150	402	CONT21900813002	378	CONW2111211100	341
CONT17300730062	402	CONT22100010487	411	CONW2111211200	341
CONT17300731090	403	CONT22100010545	411	CONW2111211400	341
CONT17300731149	403	CONT22100011545	412	CONW2111211600	341
CONT17500810031	405	CONT24207030150	410	CONW2111220500	343
CONT17500810717	406	CONT24208030130	410	CONW2111220700	343
CONT17500810718	406	CONT25578710000	401	CONW2111220800	343
CONT17500813050	380	CONT25578710659	376	CONW2111220900	343
CONT17500817501	407	CONT25578710660	376	CONW2111221000	343
CONT17500817511	407	CONT25578713200	384	CONW2111221100	343
CONT17570013120	381	CONT25678713205	384	CONW2111221200	343
CONT17570013140	381	CONT25978713210	384	CONW2111221400	343
CONT17570013160	381	CONT26000710645	392	CONW2111221600	343
CONT17600813056	380	CONT26500710100	392	CONZ8955003	328
CONT17670013125	381	CONT26500710713	396	CONZ8955003	361
CONT17670013145	381	CONT41000000657	377	CONZ8955004	328
CONT17670013165	381	CONT41000000667	377	CONZ8955004	361
CONT17700710268	405	CONT41000000668	377	CONZ8955006	328
CONT17900813052	380	CONT41000003265	385		
CONT17970013130	381	CONT43500073180	386		
CONT17970013150	381	CONT43500083175	387		
CONT17970013170	381	CONT43600073181	386		
CONT18200010305	399	CONT43600083176	387		
CONT18200010602	397	CONT43900073182	386		
CONT18200011305	399	CONT43900083177	387		
CONT18200012305	399	CONT44500053171	388		
CONT18200040644	397	CONT44500053185	406		
CONT18200060640	397	CONT44600053172	388		
CONT18270710279	375	CONT44900053173	388		
CONT18270710283	374	CONW2003500	346		
CONT18270710284	374	CONW2003501	346		
CONT18270710294	375	CONW2003502	346		

# General terms and conditions

## CONTI Sanitärarmaturen GmbH

Our offers, order confirmations, sales and deliveries are exclusively subject to the following Terms and Conditions. These also apply to all future transactions even if we do not expressly refer to them in each individual case. Terms and conditions of the customer (buyer or ordering party) do not become part of the contract, even if they have not expressly been objected to. Any individual agreements made with the buyer on a case-by-case basis (including side agreements, supplements and amendments) always take priority over these General Terms and Conditions. Subject to evidence to the contrary, the content of such agreements requires a written contract or our written confirmation. Our Terms and Conditions apply only with respect to entrepreneurs within the meaning of sections 14, 310(1) German Civil Code (Bürgerliches Gesetzbuch – “BGB”).

### I. Offer

1. Any documents provided in the context of an offer, such as illustrations, drawings, weights and dimensions, shall only be approximate unless they are expressly stated as binding. We reserve rights of ownership and copyright in relation to cost quotations, calculations, drawings and any other documents. This shall also apply to written documents that have been designated as being “confidential”. Any transfer to third parties by the customer requires our prior express written consent.

2. Quoted prices shall be non-binding.

3. Goods orders placed by customers are deemed to constitute a binding contract offer. Unless otherwise indicated in the order, we are entitled to accept this contract offer within two weeks after receiving it.

4. Acceptance may be declared either in writing (e.g. by order confirmation) or by delivery of the goods to the customer.

### II. Scope of delivery

The scope of delivery shall be based (i) on our written order confirmation or (ii) on the offer in the case of an order with a fixed period of validity and timely acceptance provided that no order confirmation is issued.

### III. Delivery time

1. Details regarding delivery times and dates are always only approximate and without obligation. If, in individual cases, we have expressly stated that the delivery time is binding, it shall only commence after all details regarding the pending delivery – in particular all technical questions – have been clarified and only in the event of the timely and complete fulfilment of the customer’s contractual obligations. We reserve the right to invoke the “defence of non-performance of the contract” (Einrede des nicht erfüllten Vertrages).

2. The delivery time shall be reasonably extended in the event of measures in the context of industrial action, in particular strikes and lockouts, as well as if unforeseen obstacles arise that are beyond our control if such obstacles demonstrably have a significant influence on the completion or delivery of the delivery item. The same applies if those circumstances arise with sub-contractors. We are not re-

sponsible for the aforementioned circumstances even if they occur during a pre-existing delay. In important cases, we will notify the customer of the start and end of such obstacles as soon as possible.

3. The delivery deadline is deemed to have been met if, prior to its expiry, the delivery item has left the factory.

4. If a customer is in default of acceptance or violates any other obligations to cooperate, we are entitled to claim damages for any loss or damage incurred in this regard, including any additional expenses incurred. This shall not affect any further rights and claims.

5. If the conditions laid down in clause III.4 have been met, the risk of accidental loss or accidental deterioration of the purchased item passes to the customer at the time at which the customer is in default of acceptance or payment.

6. In the event of call-off orders, the delivery date is deemed to be the period agreed between the customer and us. If the orders are not called-off within a reasonable grace period set by us, we are free to deliver the goods and invoice them or to withdraw from the purchase agreement and assert a claim for damages.

### IV. Prices, terms of payment

1. Unless otherwise indicated in the offer or the order confirmation, our prices effective on the day of delivery apply “FCA Wetttemberg”, including packaging if applicable. The prices apply in addition to value added tax at the statutory rate as applicable at the time of delivery.

2. The deduction of a cash discount requires a specific written agreement. Unless indicated otherwise in the order confirmation, the net price (without any deduction) is due and payable within 30 days from invoicing. Customer service invoices are payable net immediately. If the customer is in default of payment, we are entitled to claim default interest of 9% over the base rate pursuant to section 247 BGB. We reserve the right to claim additional loss or damage caused by the default. Any circumstances that come to light after the contract has been entered into which may reduce the customer’s creditworthiness result in all our claims falling due immediately and entitle us to request security.

3. Customers shall only be entitled to set off any payment claims if their counterclaims have been upheld and declared unappealable by a court of law, or if such counterclaims are uncontested or have been accepted by us. In addition, customers shall only be entitled to exercise a right of retention if their counterclaim is based on the same contractual relationship.

4. Unless otherwise indicated in the offer or the order confirmation freight and document charges shall be born by the customer.

5. Goods that have been supplied free of defects may only be returned once we have granted our written approval. For all returned goods, we will deduct 35% from the credited price for processing costs. Any necessary reconditioning or repackaging costs will be charged for separately. The customer shall bear the return transport

risk and the return transport costs. Only returns of any kind that are free of charge and have been agreed or approved by CONTI Sanitärarmaturen GmbH prior to the return will be accepted.

6. Our commercial agents are not entitled to collect any payments.

## V. Transfer of risk and acceptance

1. Unless otherwise indicated in the order confirmation, delivery "FCA Wettenberg" shall be deemed agreed. Any transport packaging and other packaging in accordance with the German Packaging Regulations (Verpackungsverordnung) are not taken back, except for pallets and the items referred to in clause IV.5. Customers are obliged to organise the disposal of the packaging at their own expense.

2. If customers require, we will insure the consignment against any transport damage as well as against any other insurable risks. The costs that accrue in that regard will be borne by the customer.

3. The risk shall pass to the customer acc. to the agreed Incoterm, even if partial deliveries are made or if we have taken on additional obligations such as dispatch costs or delivery and installation. We reserve the right to determine the shipping method.

4. If delivery or shipping is delayed due to circumstances for which the customer is responsible, the risk passes to the customer from the day on which the customer is notified that the goods have been made available; at the request and cost of the customer, we will insure the goods that are to be supplied.

5. Delivered items must be accepted by the customer – even if they have insignificant defects – without prejudice to the rights under clause VIII.

6. Part deliveries are permissible.

## VI. Reservation of title

1. We reserve title in the delivered goods until receipt of all payments due under the contract. If customers act in breach of contract, in particular if customers default on their payment obligations, we are entitled to take back the goods. Our taking back of the goods does not constitute a withdrawal from the contract unless we have expressly declared this in writing. After taking back the goods we are entitled to sell these. The proceeds of sale shall be credited against the customer's liabilities – less any reasonable costs of sale.

2. Customers are obliged to treat the delivered goods with due care; customers are in particular obliged, at their own expense, to insure the goods sufficiently and at replacement value against damage caused by fire, water and theft. If any maintenance and inspection work is required, customers shall perform this work in good time and at their own expense.

3. In the event of attachments or other third-party interventions, customers shall immediately notify us in writing to enable us to bring a legal action in accordance with section 771 German Code of Civil Procedure (Zivilprozessordnung – "ZPO"). If the third party is unable to reimburse us for the judicial or extrajudicial costs of a legal

action pursuant to section 771 ZPO, the customer shall be liable for any costs incurred by us.

4. Customers are entitled to resell any goods subject to reservation of title in the ordinary course of business; customers do, however, hereby assign to us all claims arising from the resale against their buyers or third parties together with all associated rights equivalent to our final invoiced amount (including VAT), irrespective of whether the goods have been resold with or without agreement. Customers shall remain authorised to collect this claim even after it has been assigned. This is without prejudice to our right to collect such claim ourselves. However, we undertake not to collect such claim as long as customers continue to meet their payment obligations in time and in full, as long as they are not in default of payment and, in particular, as long as no application has been made to start insolvency proceedings or suspend payments. If the authorisation to collect the claim is exercised, we are entitled to demand that customers notify us of the assigned claims and their debtors, provide all details necessary for a collection of such claims, hand over the attendant documents and notify the debtor (third party) of such assignment.

5. Any processing or transformation of the goods subject to reservation of title by the customer is always deemed to have been made on our behalf. If the goods subject to reservation of title are processed together with objects that do not belong to us, we shall acquire joint ownership of the new item at a ratio of the value of the goods subject to reservation of title (final invoice amount including VAT) in relation to the value of the other processed items at the time of processing. The same provisions as apply to the goods delivered subject to reservation of title shall apply in relation to the item that results from the processing.

6. If the goods subject to reservation of title are inextricably combined with objects that do not belong to us, we shall acquire joint ownership of the new item at a ratio of the value of the goods subject to reservation of title (final invoice amount including VAT) in relation to the other combined items at the time of combining. If the combination is such that the customer's goods are to be regarded as the main item, it shall be deemed to have been agreed that the customer shall transfer proportionate joint ownership to us. The customer shall hold the resulting sole or joint ownership on our behalf.

7. In order to secure our claims against them, customers also assign to us any claims which arise against a third party from the combination of the purchased item with a piece of real estate.

8. We undertake, upon the customer's request, to release the securities to which we are entitled to the extent that the realisable value of our securities exceeds the value of the claims to be secured by more than 10%; we are entitled to select which securities are to be released.

## VII. Notifications of defect

1. Warranty rights of customers require that customers have duly met their duties to inspect and give notice of defects according to section 377 German Commercial Code (Handelsgesetzbuch – "HGB"). Customers are obliged to inspect the delivered parts immediately after receipt.

# General terms and conditions

## CONTI Sanitärarmaturen GmbH

2. In the case of obvious defects, any notifications of defects must be addressed to us in writing without delay within 8 days from receipt, and these will only be taken into account if the goods are still in the same condition which they were in when they were delivered. In the event of justified complaints we reserve the right to replace or repair the defective goods. If customers fail to duly inspect the goods and/or duly notify us of any defects, our liability with regard to the defect that we were not notified of either in a timely manner or in the proper form is excluded in accordance with the statutory provisions.

3. We must be notified of any other defects and any consequential damage that may occur without delay and no later than within 2 weeks after they were discovered or could have been discovered. The customer must ensure that all required measures to mitigate the damage are taken without delay. We must be given the opportunity to inspect the defective parts and the damage in situ in their unchanged state.

### VIII. Liability for defects of delivery

We are liable for any defects in accordance with the following claims.

1. Parts that turn out to be defective due to circumstances prior to the passing of risk, in particular due to faulty design, poor materials or poor workmanship, will – at our discretion – either be repaired or replaced. The customer must return any replaced parts. If the repair is unsuccessful (section 440 sentence 2 BGB) or if the replacement item is also defective, the customer may reasonably reduce the contractually agreed price or withdraw from the contract. In the event of insignificant defects, a withdrawal from the contract is excluded. Special statutory provisions that apply if the unprocessed goods are to ultimately be delivered to a consumer shall remain unaffected in any event (recourse against supplier pursuant to sections 478 et seq. BGB) even if the consumer has processed the goods further.

2. Following consultation with us, the customer shall afford us the required time and opportunity to carry out all the repairs and replacements deemed necessary by us; otherwise we are deemed released from our liability for defects. Only in urgent cases which jeopardise operational safety and to prevent disproportionately large losses or damage – in which case we must be notified immediately and, where possible, our consent must be obtained – or if we are delayed in rectifying the defect, shall customers have the right to rectify the defect themselves or arrange for this to be done by qualified third parties and to request that we reimburse the necessary costs.

3. Provided that the complaint proves to be justified, we will bear any costs arising for purposes of inspection and subsequent performance following a notification of defects by the customer; otherwise, those costs shall be borne by the customer.

4. We will bear or reimburse the necessary costs incurred for purposes of inspection and subsequent performance – in particular costs of transport, infrastructure, labour and materials as well as disassembly and installation costs, if applicable – in accordance with

statutory provisions in the event that there is an actual defect. Otherwise we are entitled to require the customer to reimburse us for costs incurred due to the unjustified request to remedy a defect (in particular inspection and transport costs) unless the customer was aware of the lack of a defect or could have detected this.

5. All electrical installations and connection work that involves our products may only be carried out by skilled electrical contractors. In the event that the installation is not carried out professionally, we do not accept any functional warranty claims, any other warranty claims and any damages claims.

6. Even in the event of defects, claims of the customer for damages or compensation for expenses incurred in vain only exist in accordance with clause IX. and, apart from that, are excluded.

7. Claims and rights of customers for defects become statute-barred after 2 years.

### IX. Liability for the breach of other obligations

1. We are liable for any loss or damage that we, a legal representative or a person employed in performing a contractual obligation for whom we are vicariously liable (Erfüllungsgehilfe) have caused due to intentional or grossly negligent breaches of duty.

2. In the event of ordinary negligence and subject to a more lenient standard of liability pursuant to statutory provisions (e.g. for the duty of care observed in our own affairs), we are only liable:

a) for loss or damage suffered due to injury to life, physical injury or health,

b) for loss or damage arising from a considerable breach of a fundamental contractual obligation (an obligation whose fulfilment is crucial for the proper performance of the contract and on the fulfilment of which the contracting party regularly relies and may duly rely); in this case our liability is, however, limited to compensation for the foreseeable loss or damage which typically occurs.

3. The restrictions of liability arising from clause IX.2 also apply in the event of breaches of duty by or for the benefit of persons for whose fault we are responsible in accordance with statutory provisions. The restrictions of liability do not apply if we have fraudulently concealed a defect or if we have provided an express warranty regarding the quality of the delivery items and for claims of the customer under the German Product Liability Act (Produkthaftungsgesetz).

Any liability beyond the above is excluded.

### X. Liability for defects in the processing of parts that have been sent in

We do not accept such liability if these defects arise from the properties of the material. If parts that have been sent in become unusable during processing due to faults in the material or other defects of the parts, we are entitled to charge for the processing costs we have

incurred. If the work pieces become unusable due to circumstances for which we are responsible, we will process similar replacement pieces to the following extent:

a) In the event of individual orders, the customer shall provide a replacement piece free of charge and freight prepaid or we will deliver quantities that have been reduced accordingly.

b) In the event of series orders we will provide compensation if the reject rate exceeds 5% of the quantities supplied; compensation will be paid for the costs incurred by the customer for raw materials and wages, but no more than 5 times the processing value for the workpiece to be replaced. At our discretion, we may also produce or procure similar replacement pieces ourselves. The customer does not have any claims beyond these, regardless of the legal basis.

#### **XI. Rights of the customer to withdrawal in the event of an impossibility of performance**

1. The customer may withdraw from the contract if it becomes finally impossible for us to perform the contract in full prior to the passing of risk. The customer may also withdraw from the contract if, when ordering similar goods, the fulfilment of part of the delivery becomes impossible in terms of quantity and the customer has a legitimate interest in refusing a part delivery; if this is not the case, the customer may reduce the consideration accordingly.

2. If impossibility of performance occurs while the customer is in default of acceptance or is responsible for such impossibility, the customer shall remain obliged to pay the consideration.

3. If we fail to comply with an agreed delivery time, customers shall set a reasonable grace period for performance and if the grace pe-

riod is not met, then the customer is entitled to withdraw from the contract.

#### **XII. Right of the supplier to withdrawal**

1. In the case of unforeseen events within the meaning of clause III. – Provided that they significantly change the economic importance or the content of the goods or services owed or have a significant effect on our business – as well as in the case of an impossibility of performance which becomes apparent subsequently, the contract shall be reasonably adjusted. Insofar as this is not economically justifiable, we have the right to withdraw from the contract in whole or in part.

2. The customer does not have any damages claims because of such withdrawal. Should we wish to avail ourselves of this right of withdrawal in our capacity as suppliers, we will immediately inform the customer as soon as we realise the implications of the event, even if an extension of the delivery period was initially agreed with the customer.

#### **XIII. Place of jurisdiction**

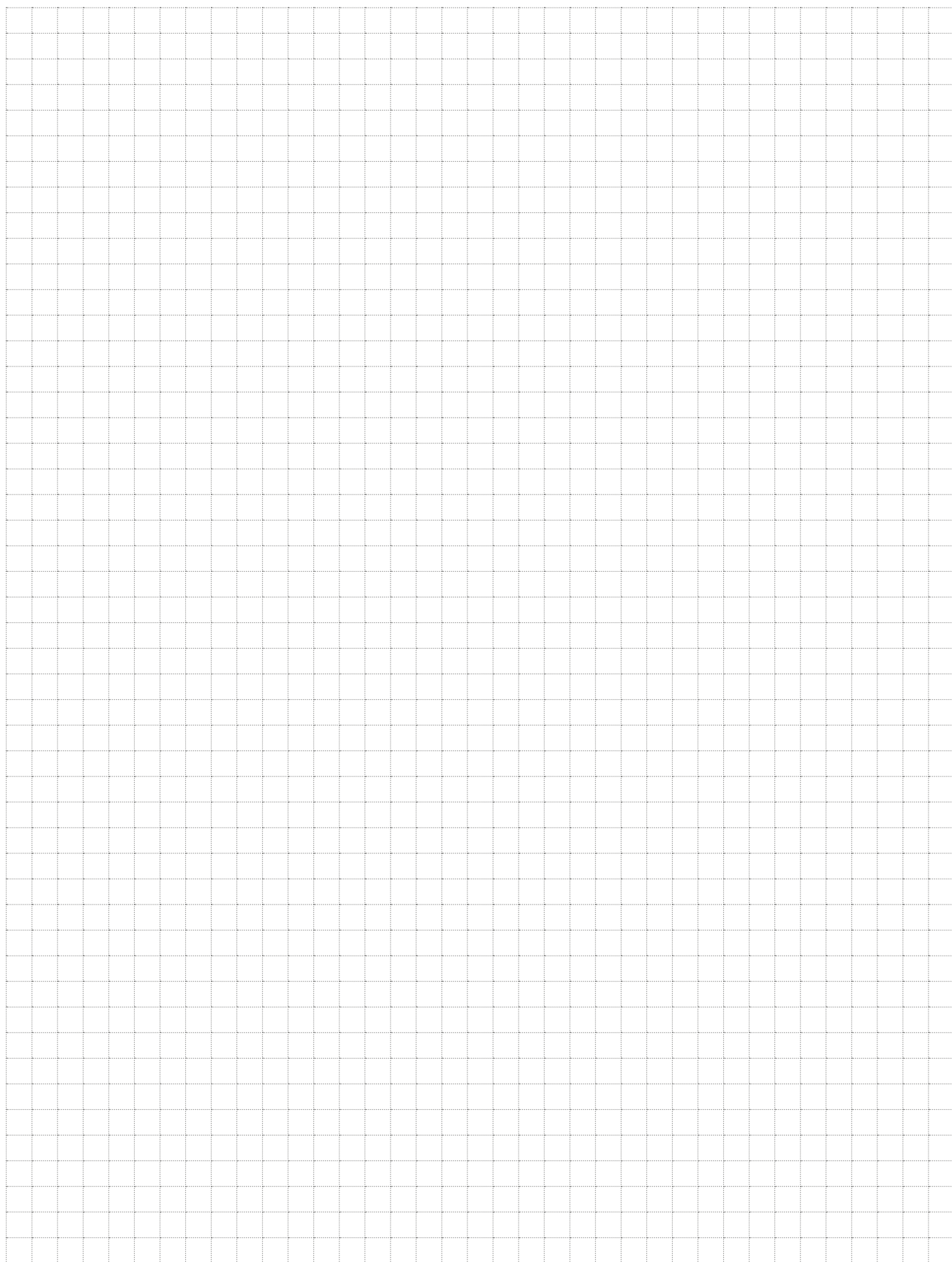
1. If the customer is a merchant, a legal person under public law or a special fund under public law, the place of jurisdiction for all disputes arising from the contractual relationship shall be Gießen, Germany. We shall also be entitled to bring legal actions at the customer's headquarters.

2. Unless otherwise indicated in the order confirmation, our registered office shall be the place of performance.

3. German law shall apply.

Effective date 07/2020  
CONTI Sanitärarmaturen GmbH

## Notizen







## Reliable & innovative

For over 40 years, the CONTI+ brand has been a byword for flexible and holistic shower room and washroom solutions for public, semi-public and commercial environments as well as the health sector.

Known for its innovative technology and high grade materials, the brand has gained a reputation for unflinching quality. With a wide-ranging product portfolio and many years of experience creating custom designs, CONTI+ is now widely recognised among design engineers and architects for its valuable contribution to their projects. Every last detail is contemplated when developing tailor-made products, resulting in smart, individual solutions to suit a plethora of applications and equipment. The choice of shower and washbasin fittings encompasses a variety of colours and finishes as well as options for surface or flush mounting. Naturally, sustainable, hygienic and reliable are prime considerations in the development of all products.

Thanks to its dependable quality and innovative technology, CONTI+ has remained a trusted brand throughout the world for over 40 years.

CONTI Sanitärarmaturen GmbH  
 Hauptstraße 98  
 35435 Wettenberg | Germany  
 Phone +49 641 98221 0  
 Fax +49 641 98221 50  
 info@conti.plus  
 www.conti.plus

Member of Fortuna Group 



\*Certificates are product related and not valid in general